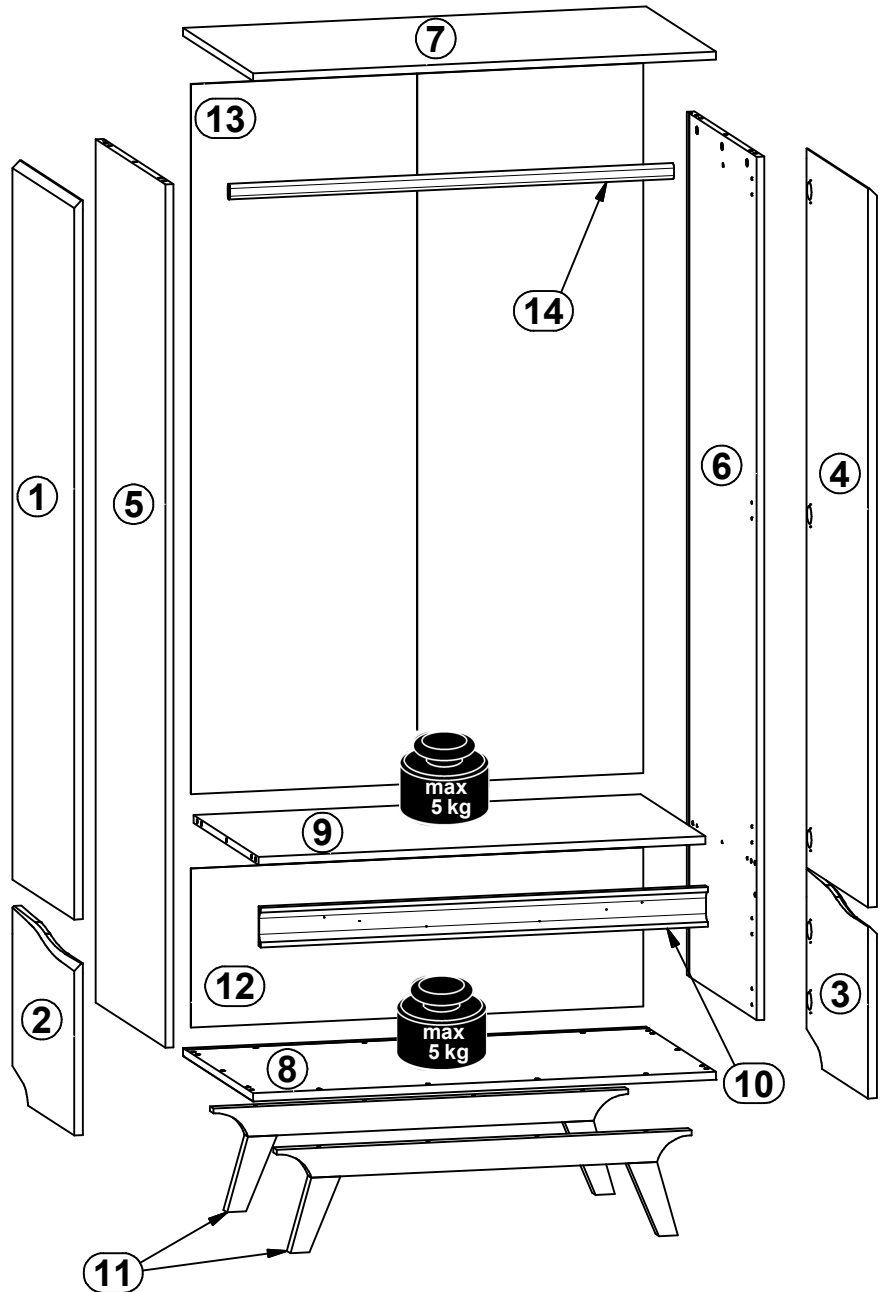
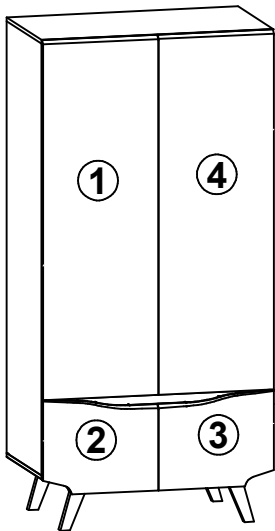
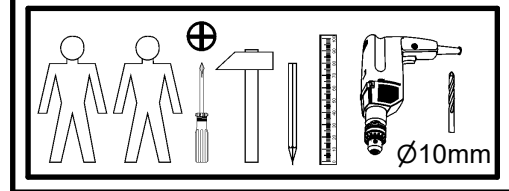
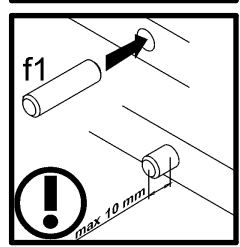
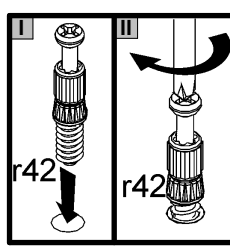
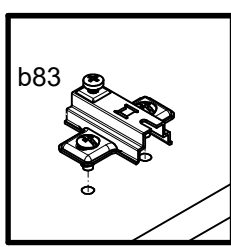
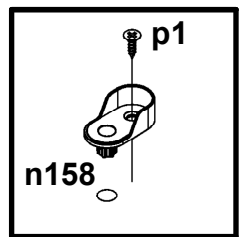
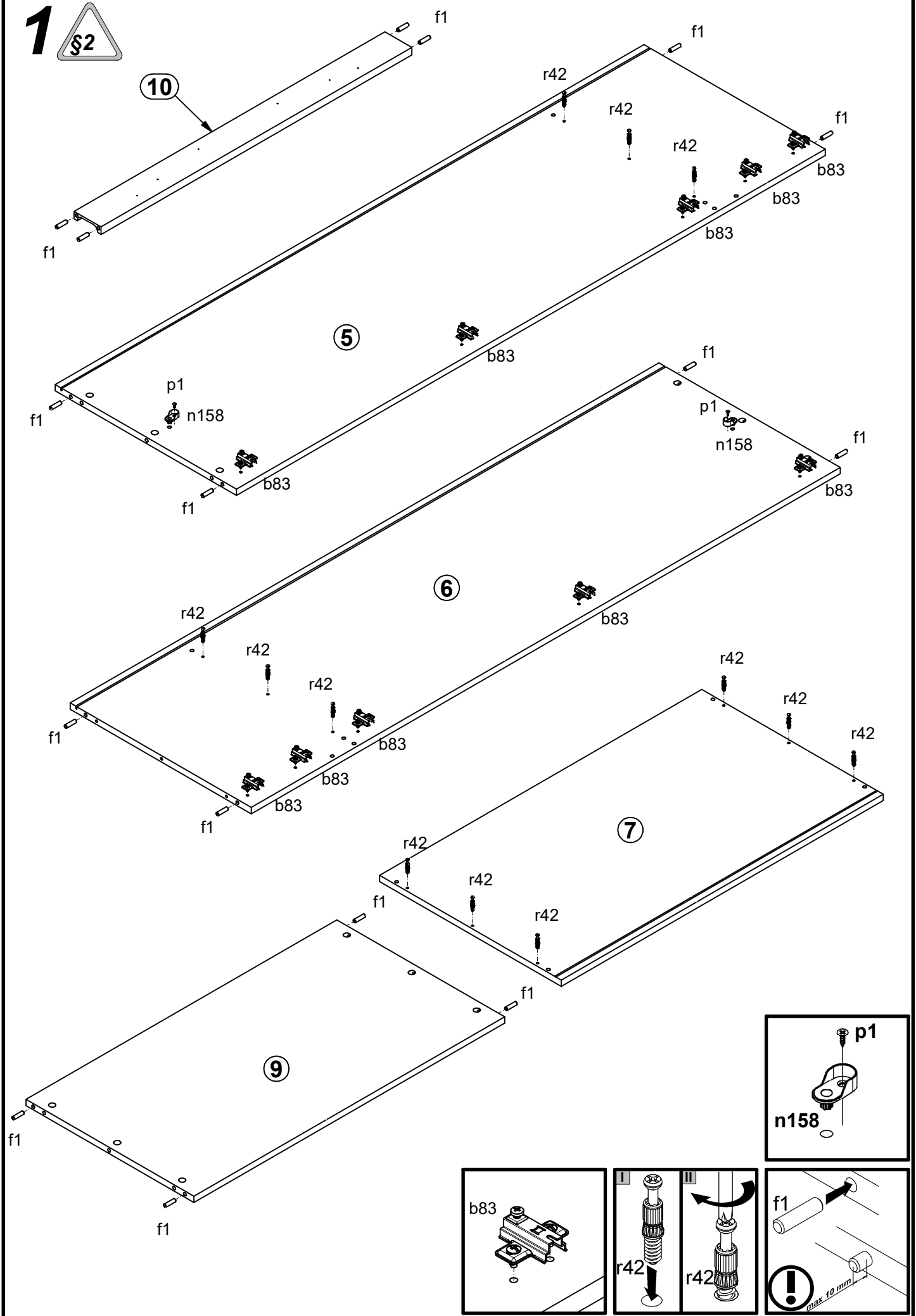


A	B	C	D	
1	S431-0030	473	1448	3/3
2	S431-0031	473	382	3/3
3	S431-0032	473	382	3/3
4	S431-0033	473	1448	3/3
5	S431-1023	1739	535	1/3
6	S431-1024	1739	535	1/3
7	S431-2006	951	536	2/3
8	S431-2007	951	536	2/3
9	S431-3010	918	496	2/3
10	S431-5004	918	80	2/3
11	S431-5006	852	210	2/3
12	S431-9012	929	320	2/3
13	S431-9302	1430	929	3/3
14	dr-912	912,	30	2/3

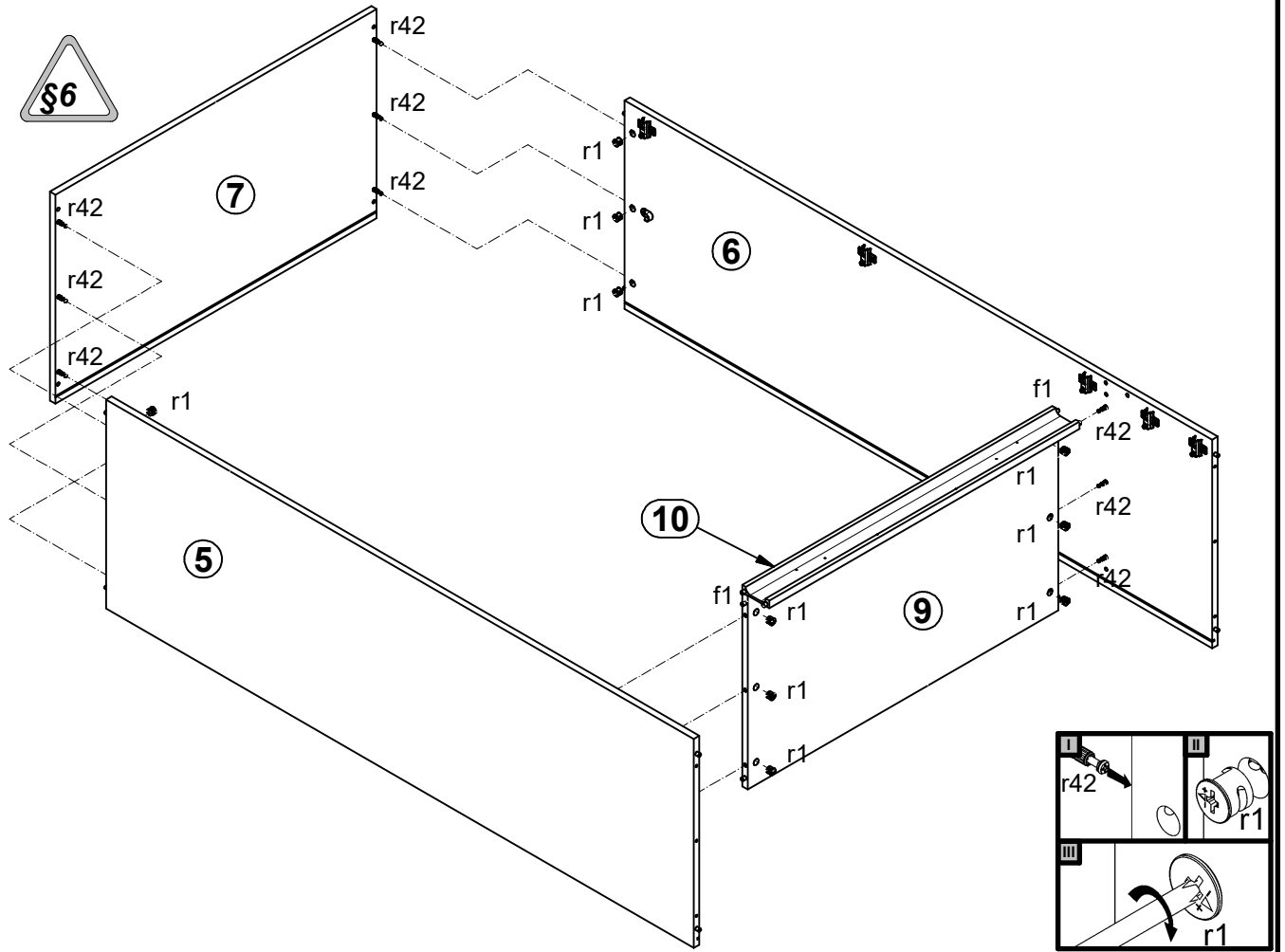


4x a133	10x a158	10x b83	14x e1	16x f1	12x l2	4x n108	2x n158	2x p1
20x p51	4x p55	12x r1	12x r42	8x s59	6x s68	1x z1		
				1x n14/2	2x p38	1x p17	1x f35	

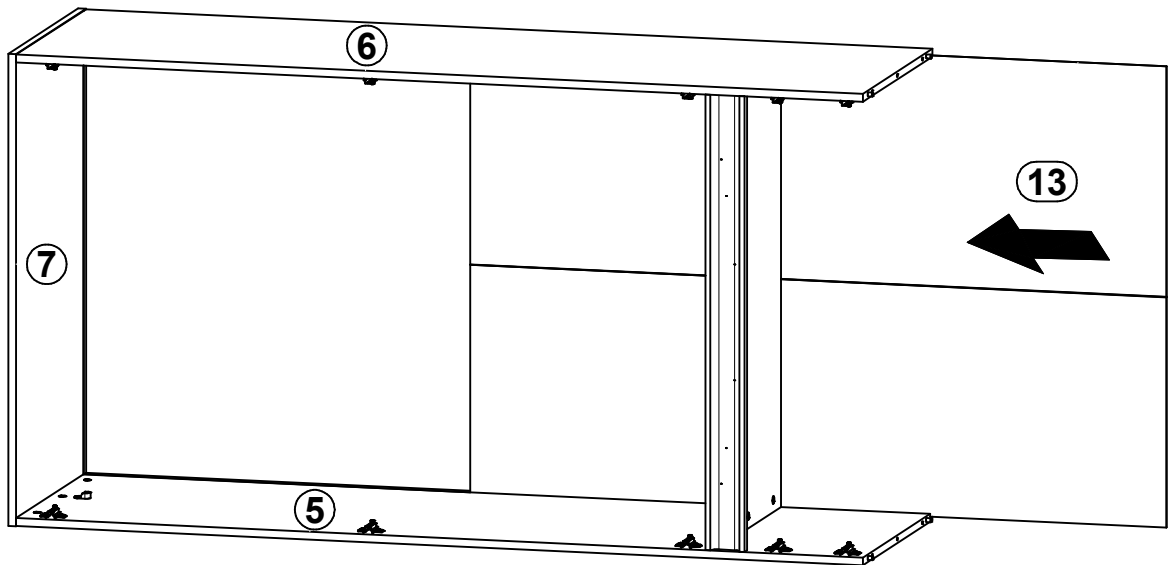
1 



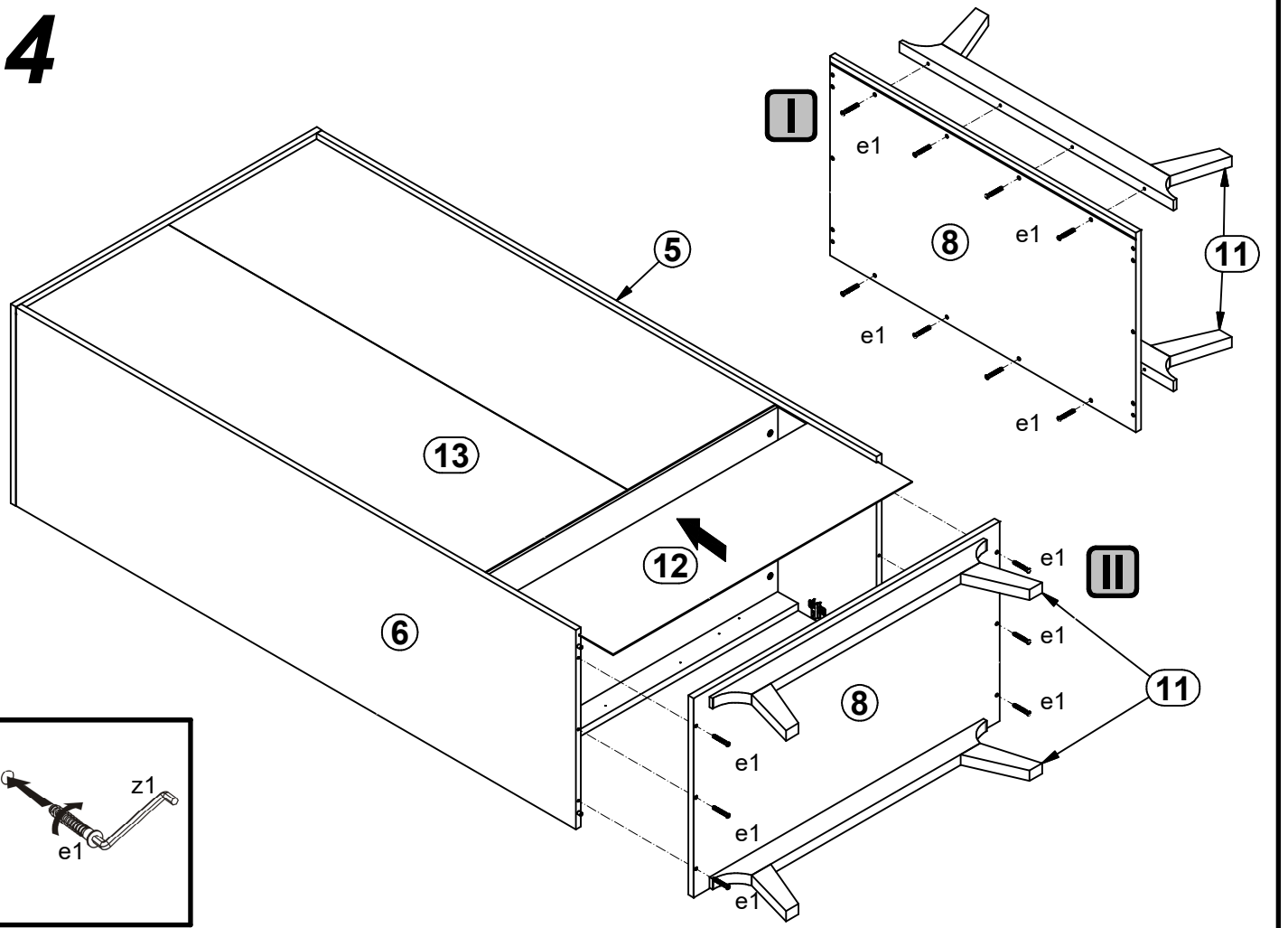
2



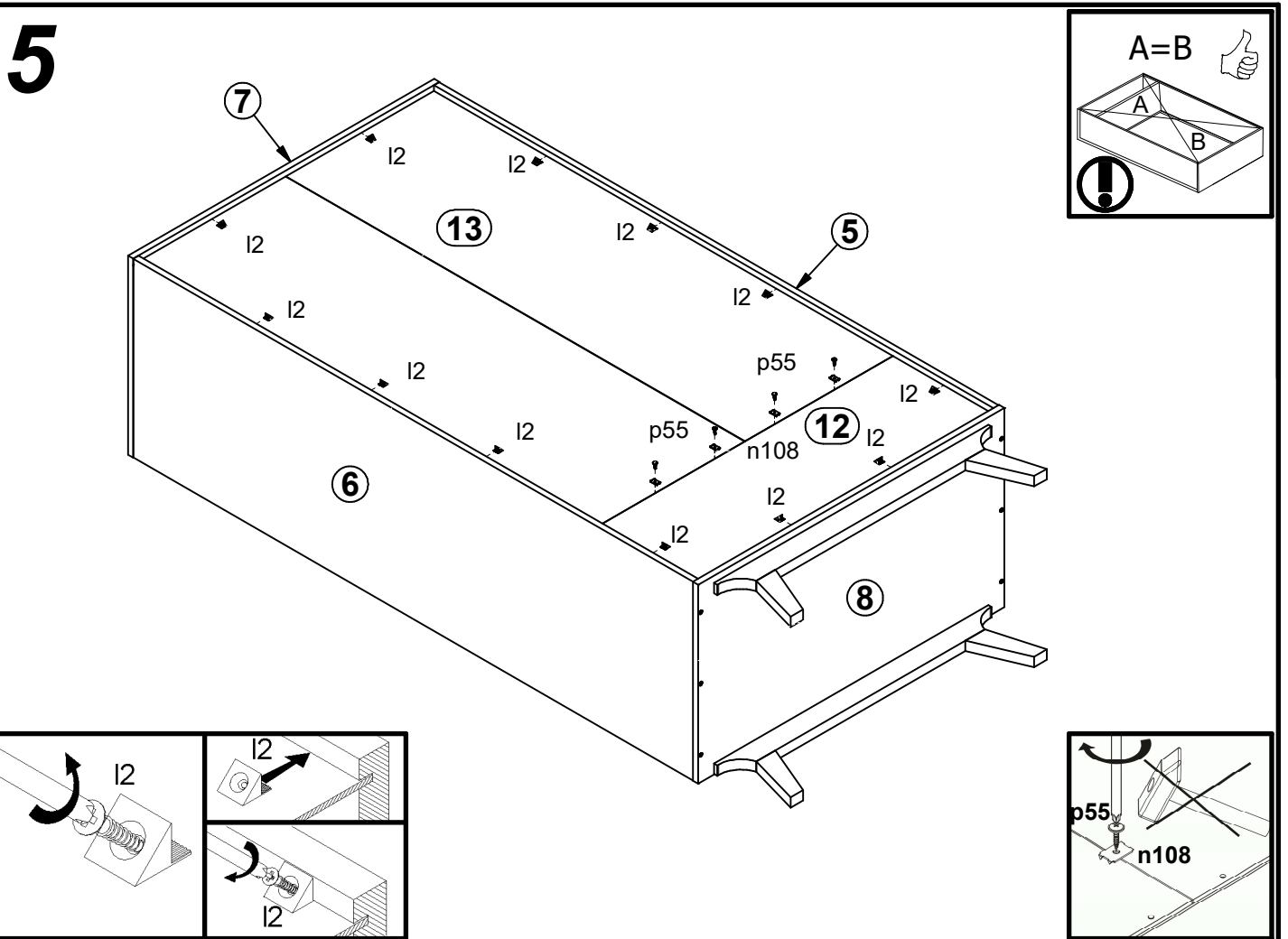
3



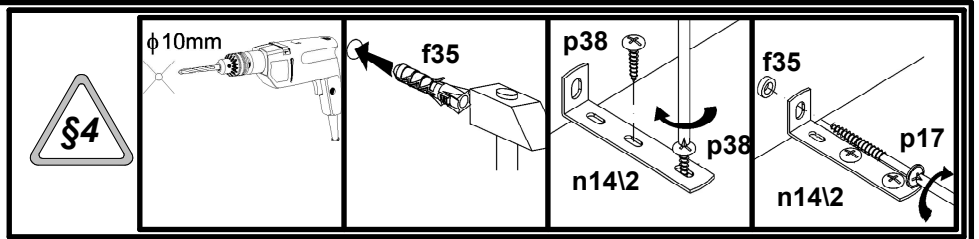
4



5



6



f35 p38
n142 p17

