
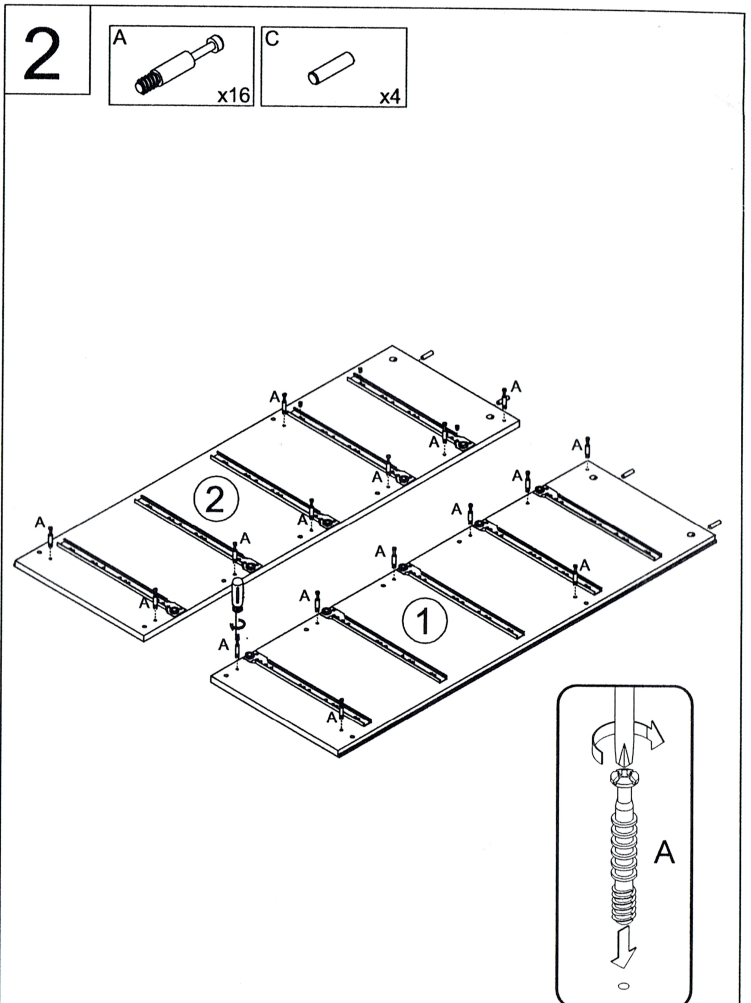
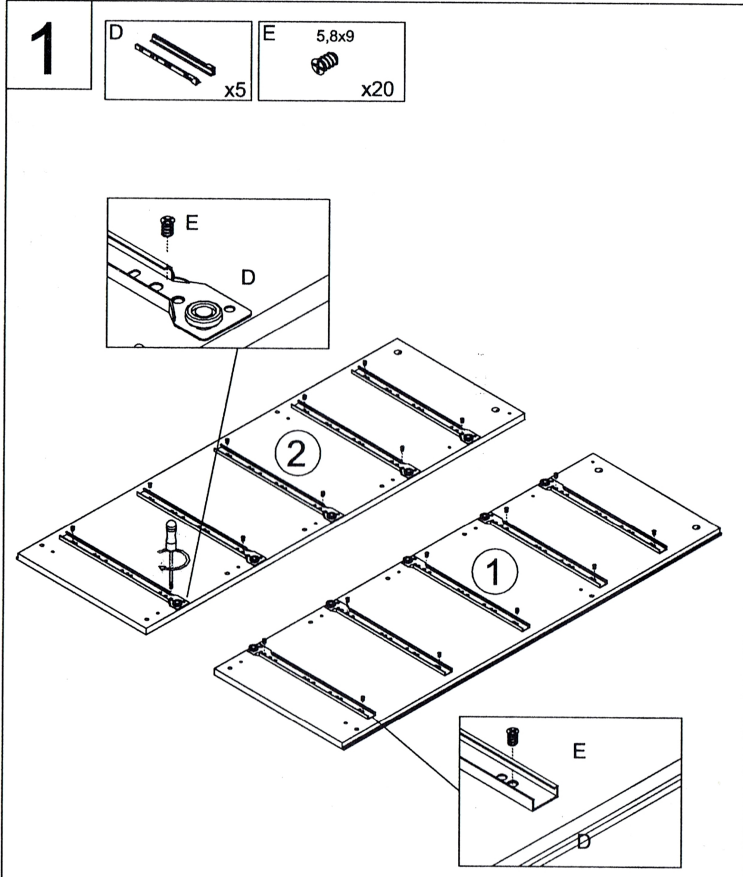
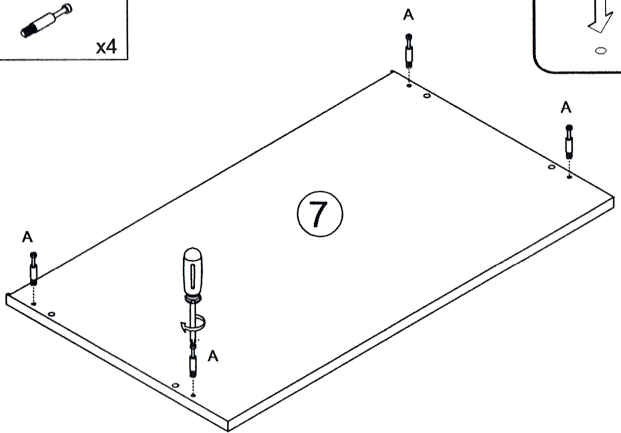
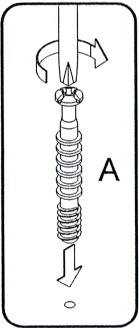
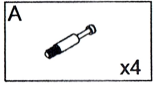
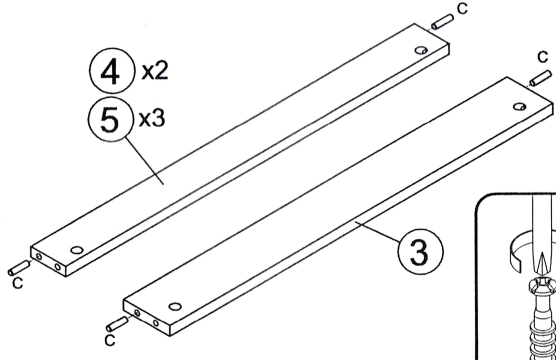
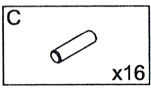


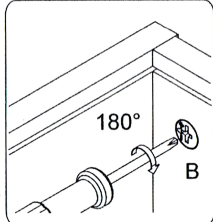
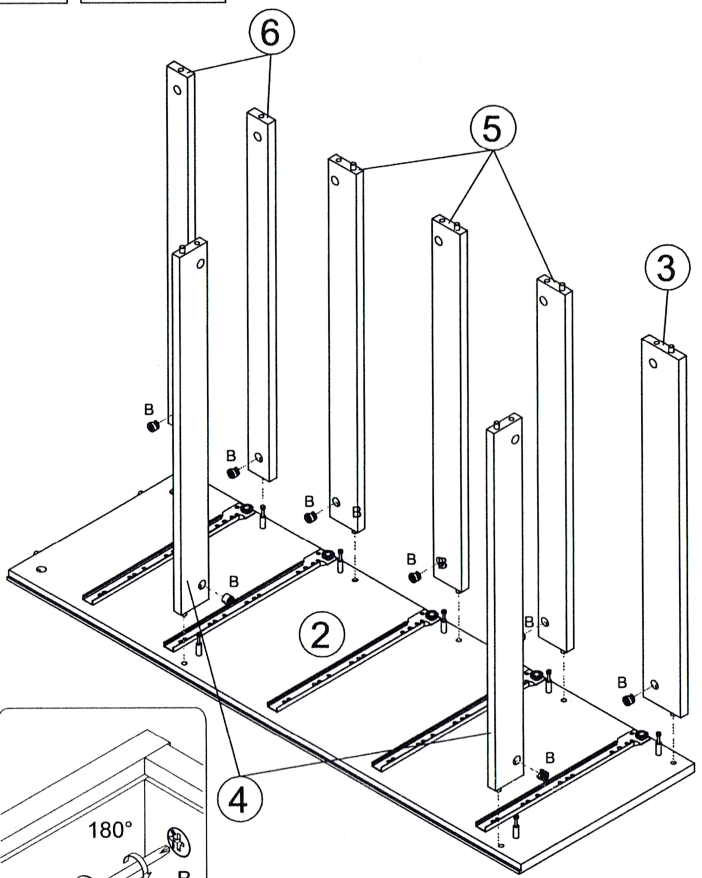
- | | | | | | |
|------------------------|-----------------|-----------------------|---|--------------------------|------------------------|
| A 30,3 x30 | B x30 | C Ø8x35 x48 | D L=350 x5 | E 5,8x9 x20 | F 4,0x35 x10 |
| G 3,5x15 x20 | H x4 | J x50 |  x1 | K L=1036 mm x1 | |



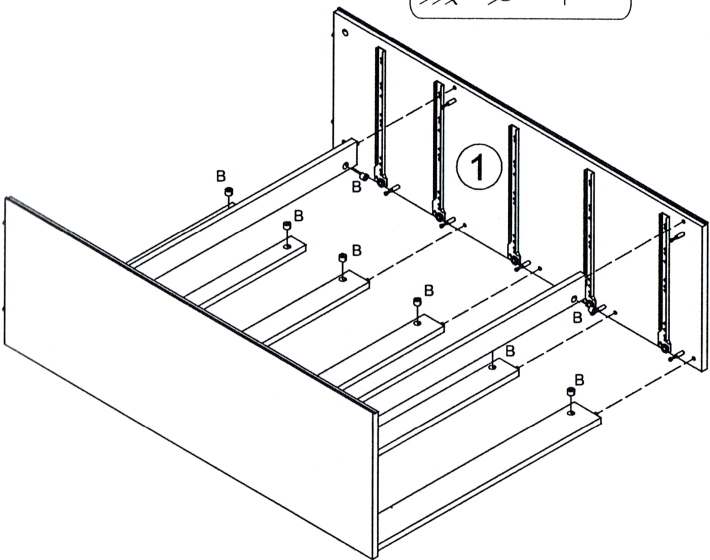
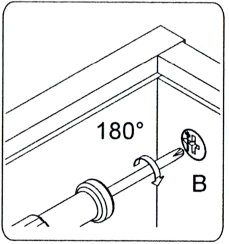
3



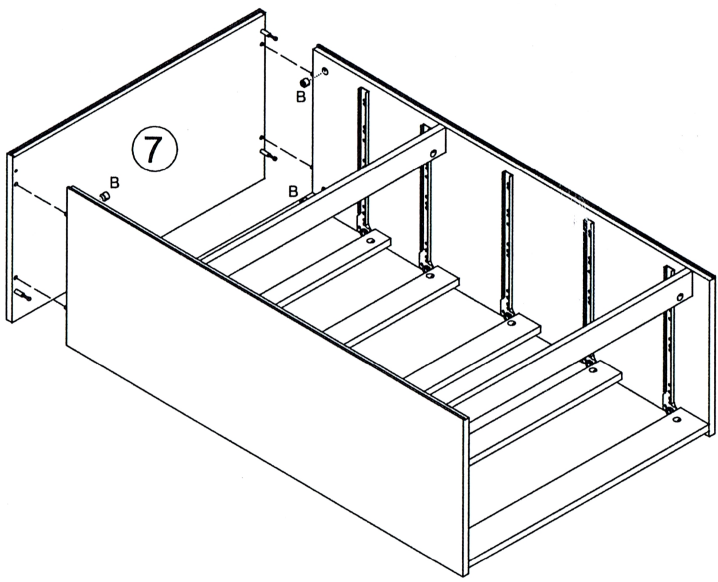
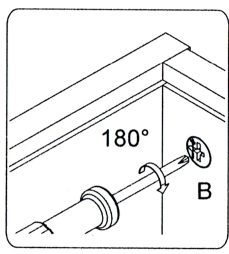
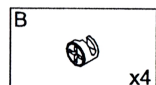
4



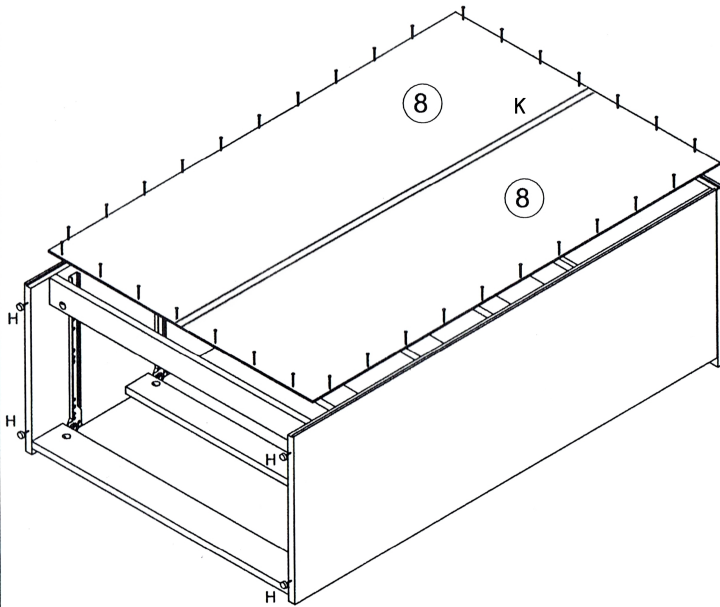
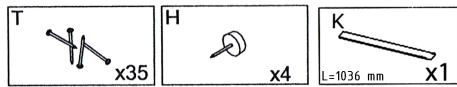
5



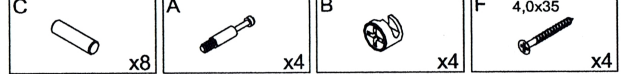
6



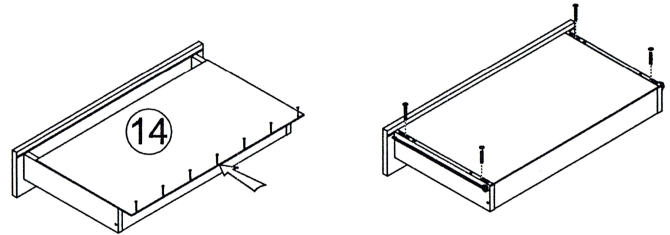
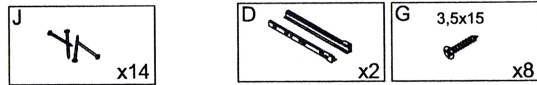
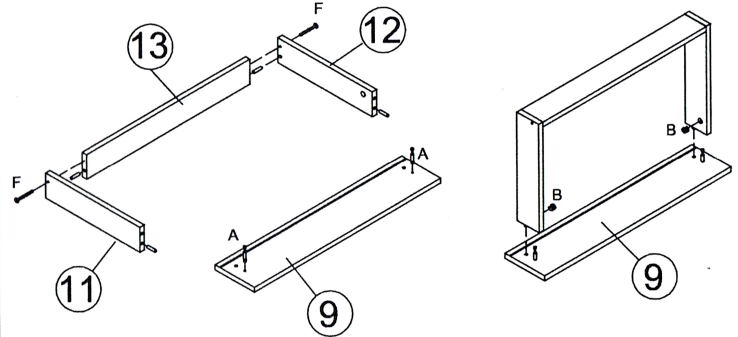
7



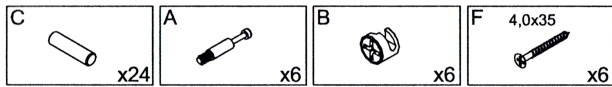
8



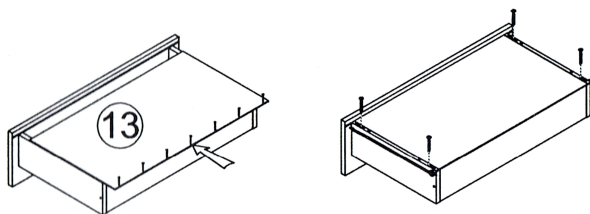
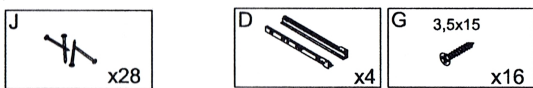
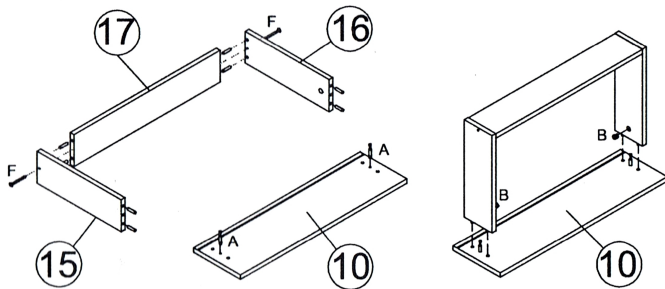
x2



9



x3



10

