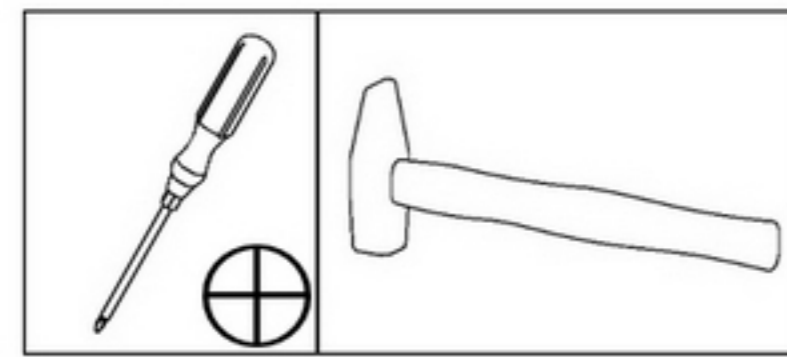
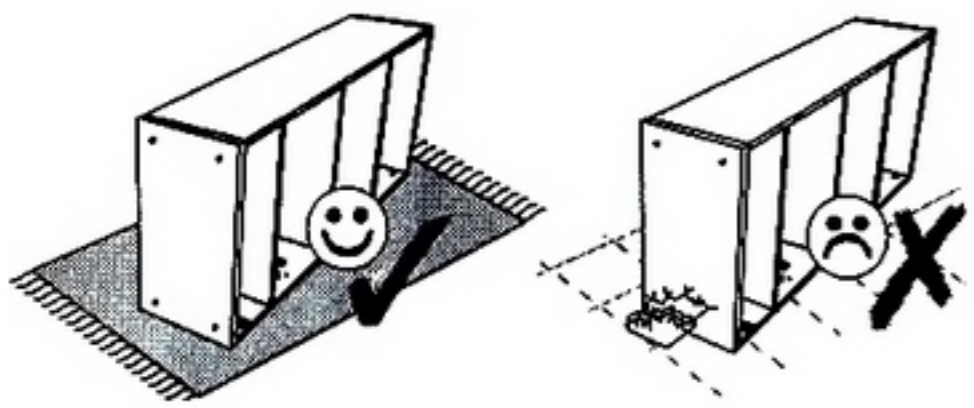
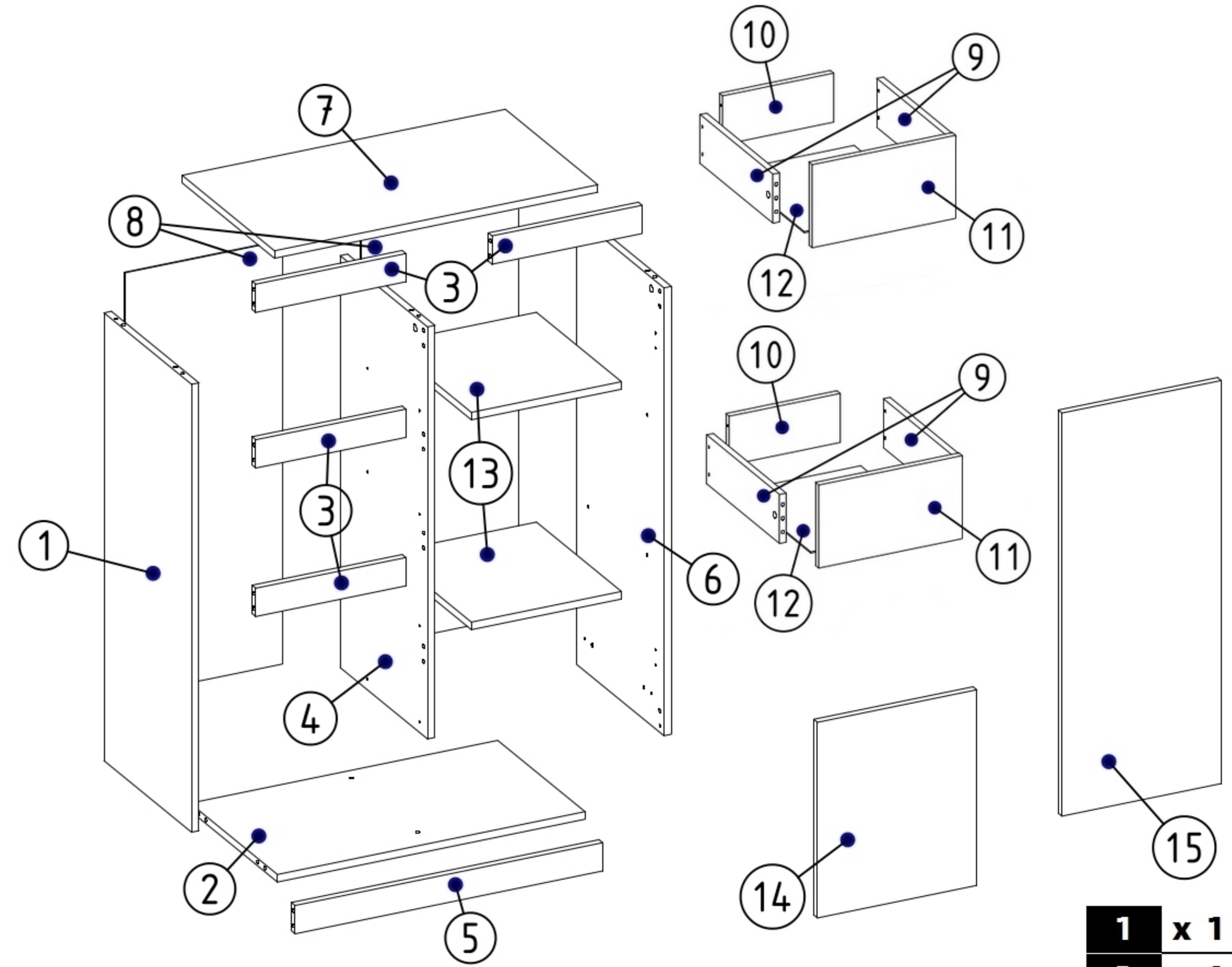
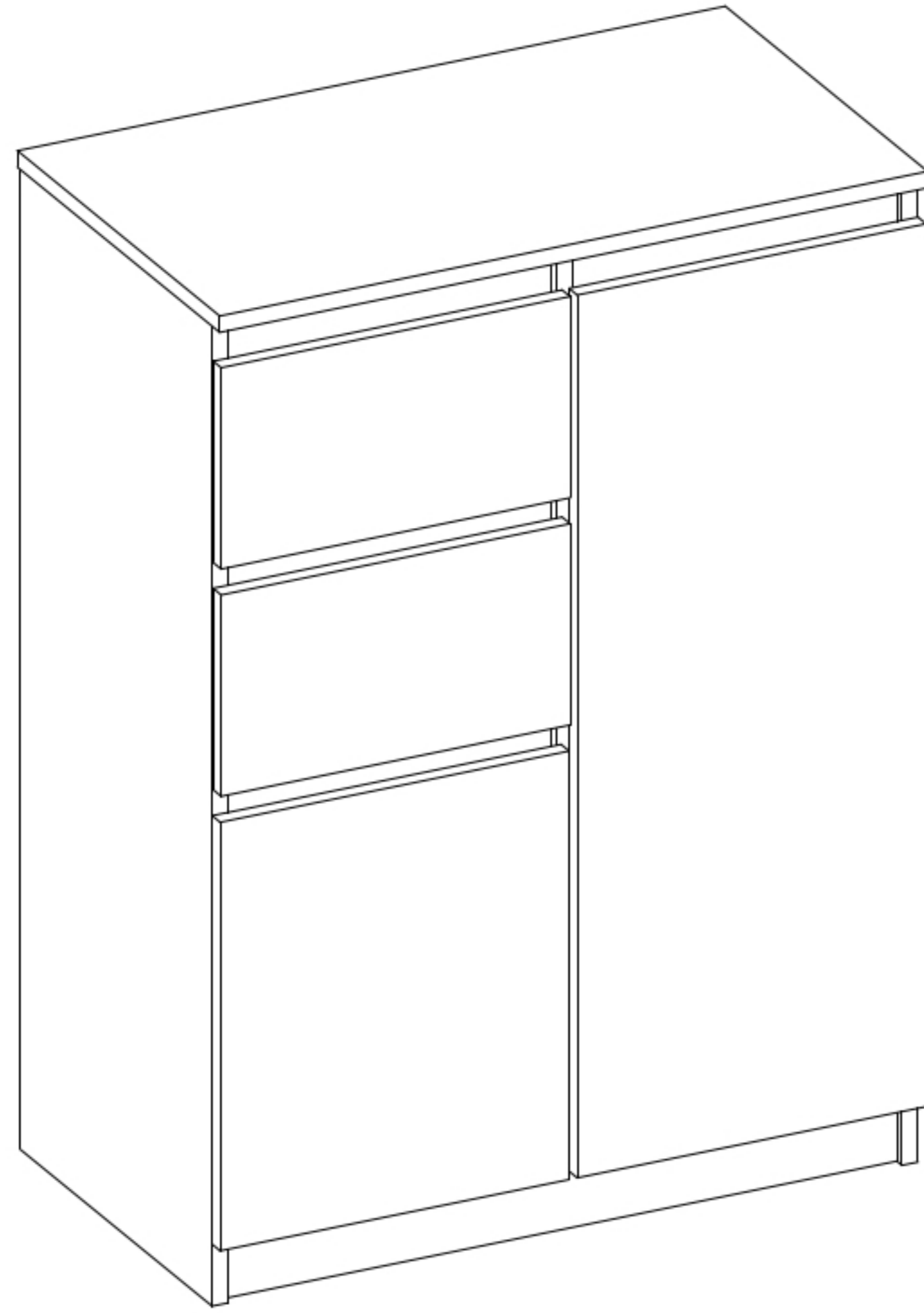


# 2D2S









<b>N2</b>  20,3 x 14	<b>M3</b>  x 14	<b>E4</b>  x 8	<b>S1</b>  3,5x16 x 16	<b>E1</b>  8x30 x 34	<b>D2</b>  x 8	<b>S7</b>  2,5x20 x 5	<b>F2</b>  x 2	<b>A0</b>  x 4
<b>T1</b>  x 4	<b>Z2</b>  x 65	<b>P3</b>  L=350 x 2	<b>S15</b>  6x8 x 8	<b>M2</b>  x 4	<b>E3</b>  8x50 x 2	 x 1	<b>K1</b>  x 1	<b>Z4</b>  x 5

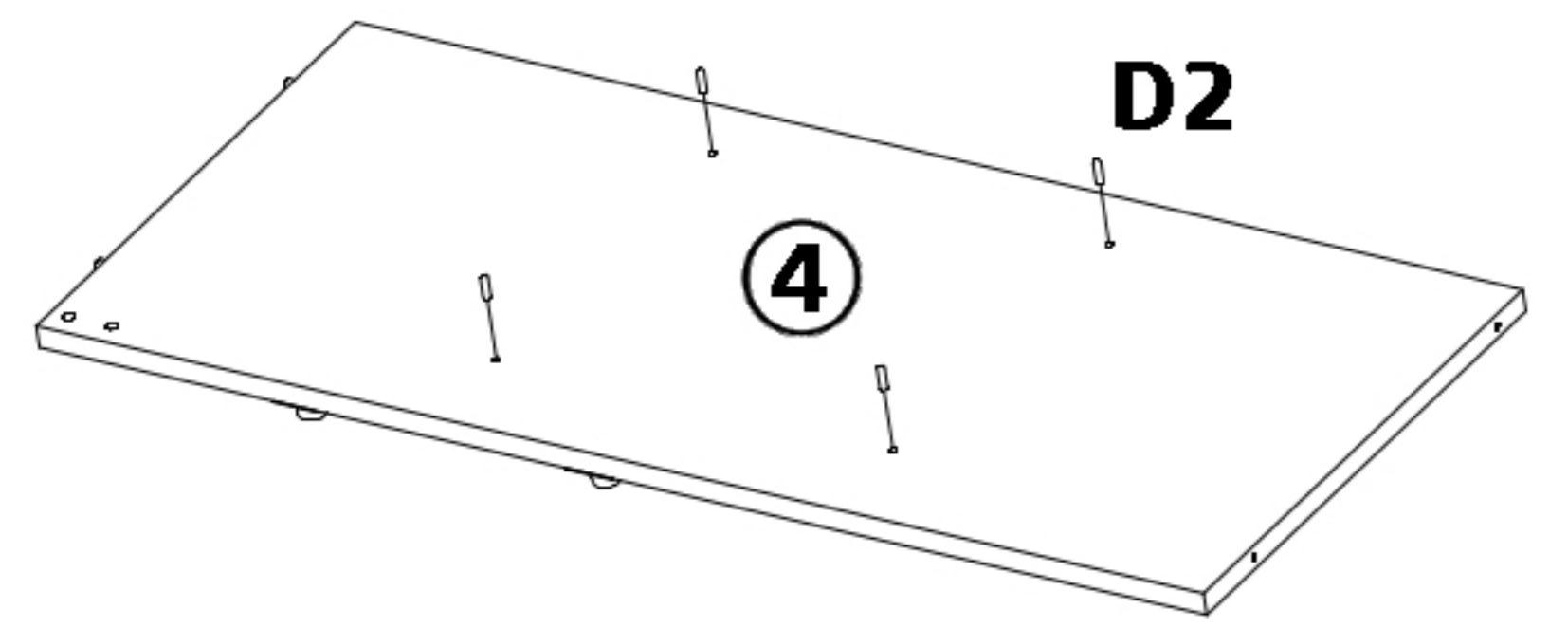
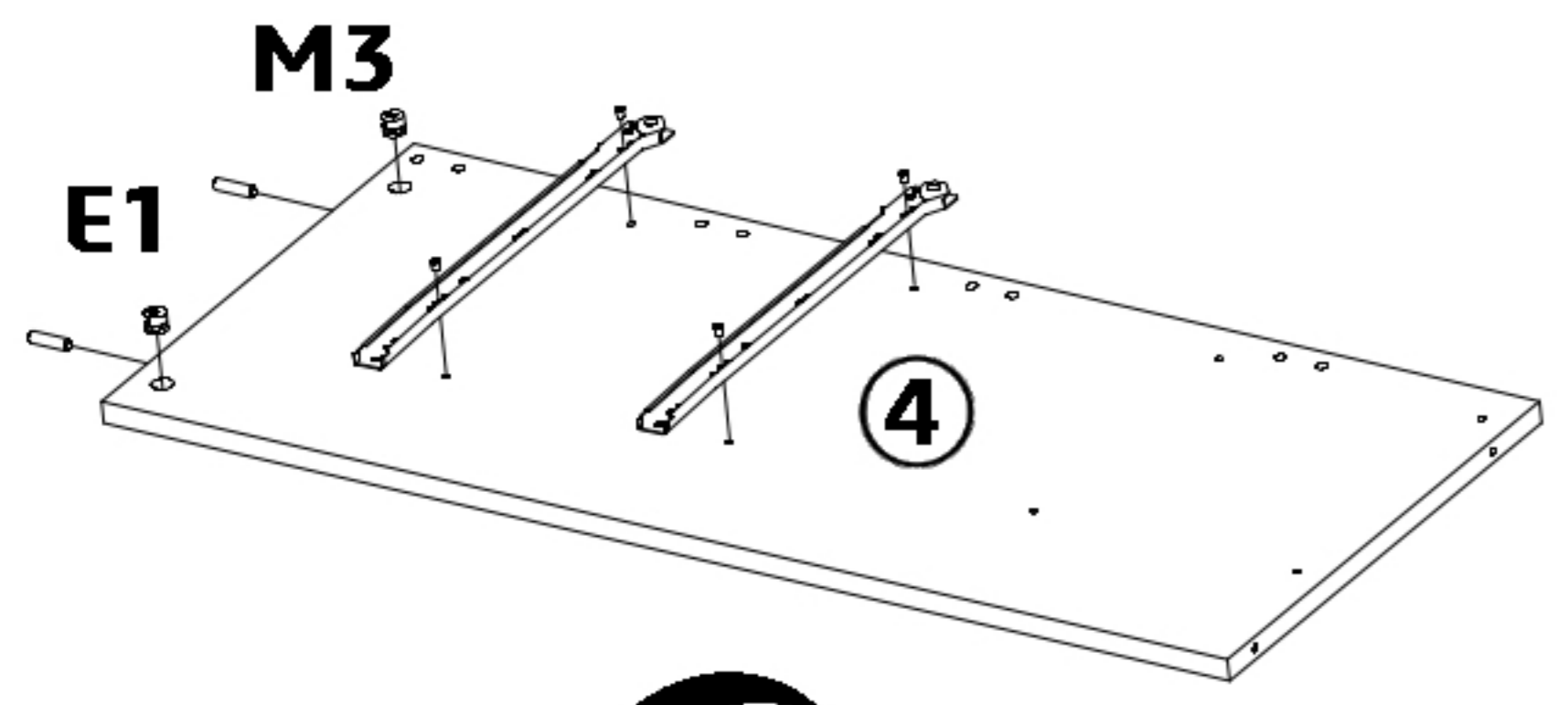
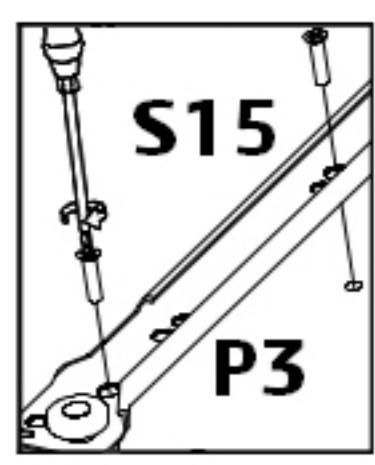
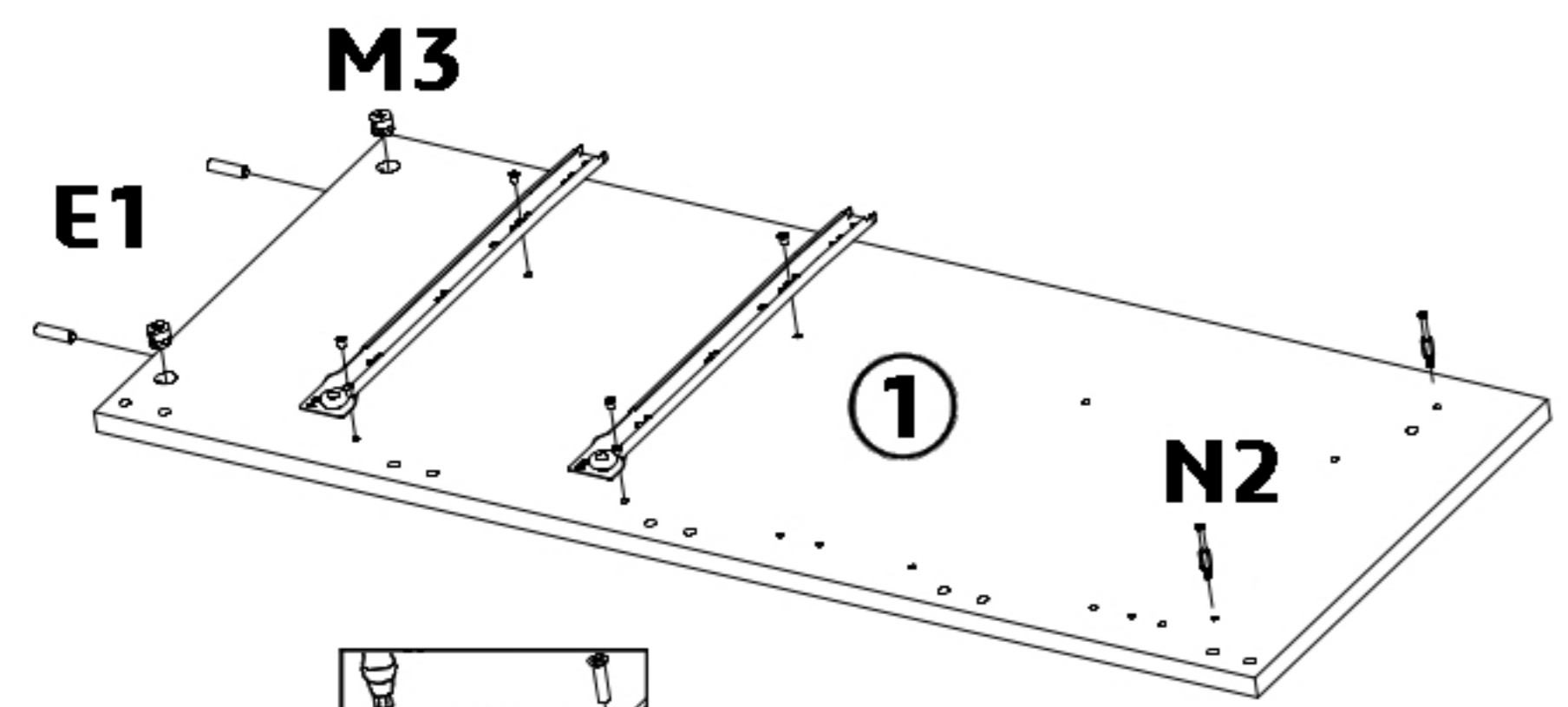
<b>1</b>	x 1
<b>2</b>	x 1
<b>3</b>	x 4
<b>4</b>	x 1
<b>5</b>	x 1
<b>6</b>	x 1
<b>7</b>	x 1
<b>8</b>	x 2
<b>9</b>	x 4
<b>10</b>	x 2
<b>11</b>	x 2
<b>12</b>	x 2
<b>13</b>	x 2
<b>14</b>	x 1
<b>15</b>	x 1








x 1

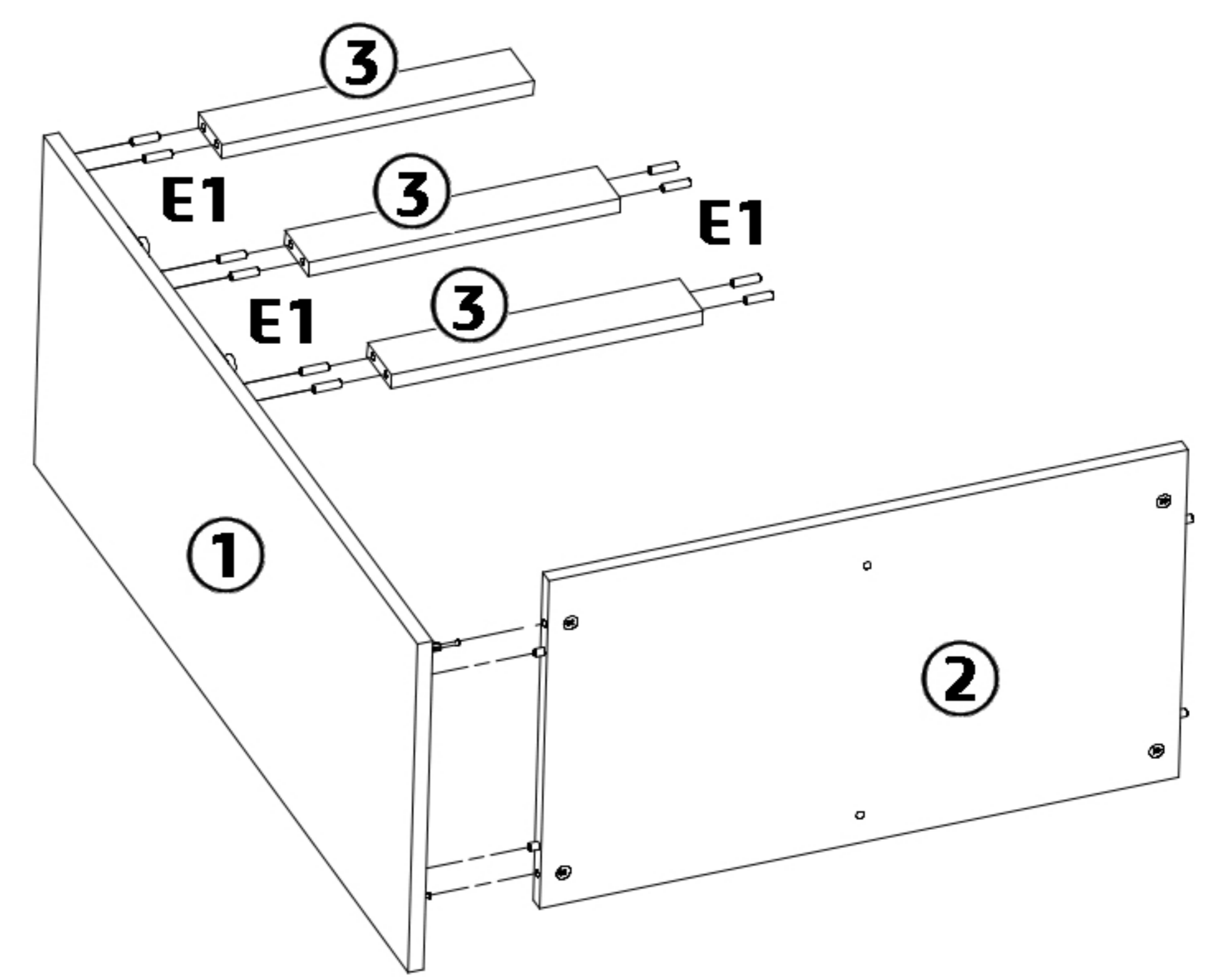
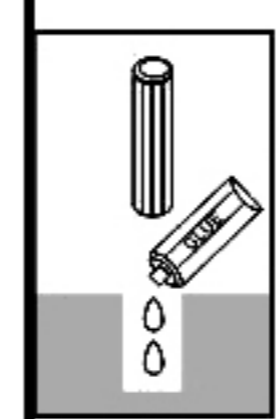
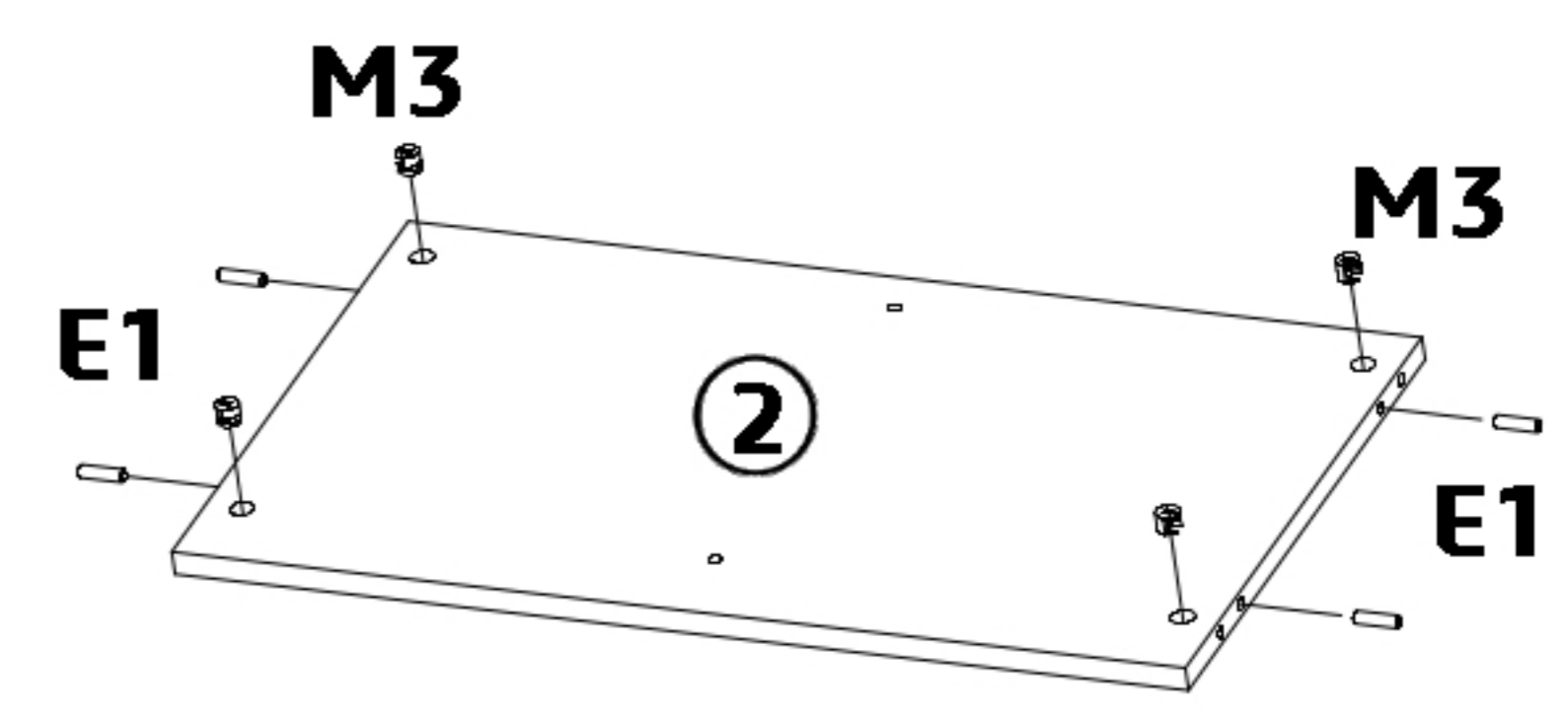
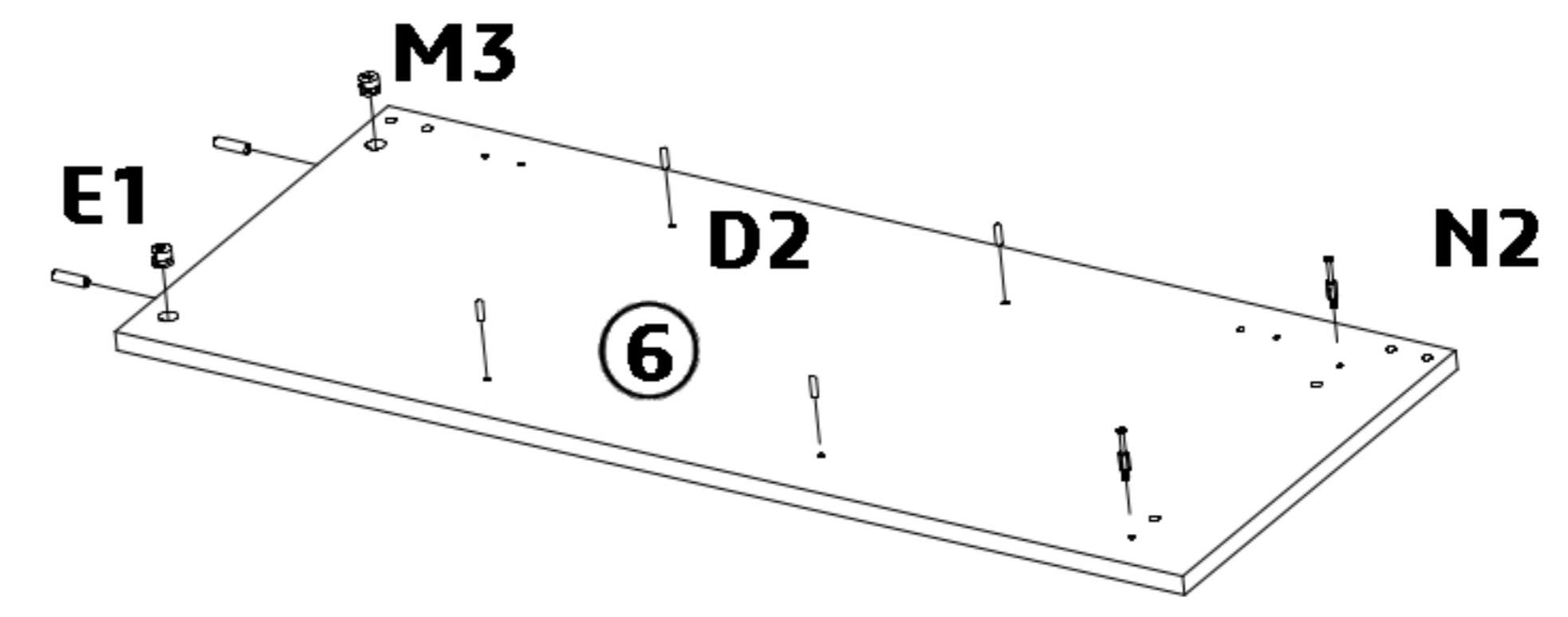
# 1

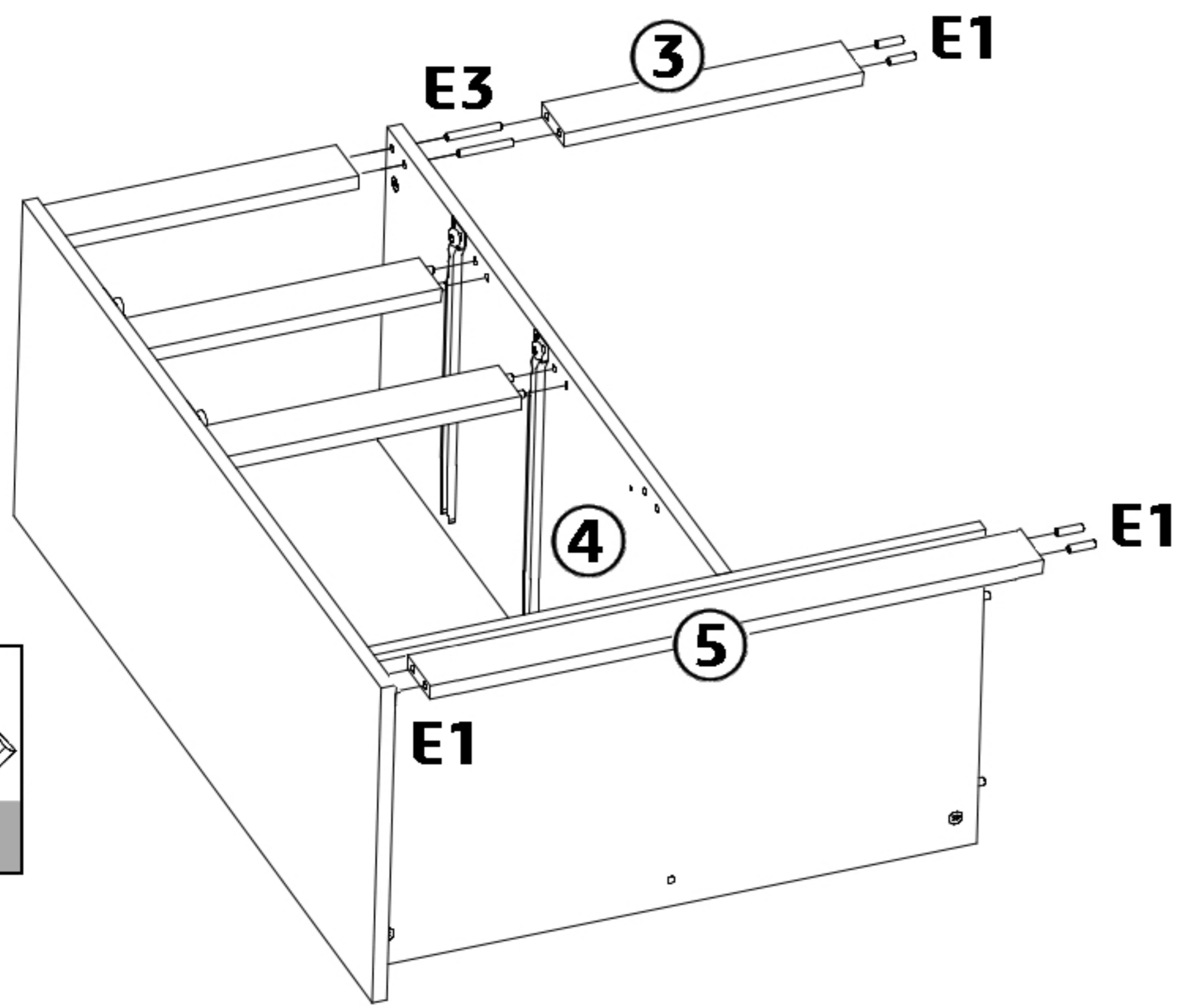
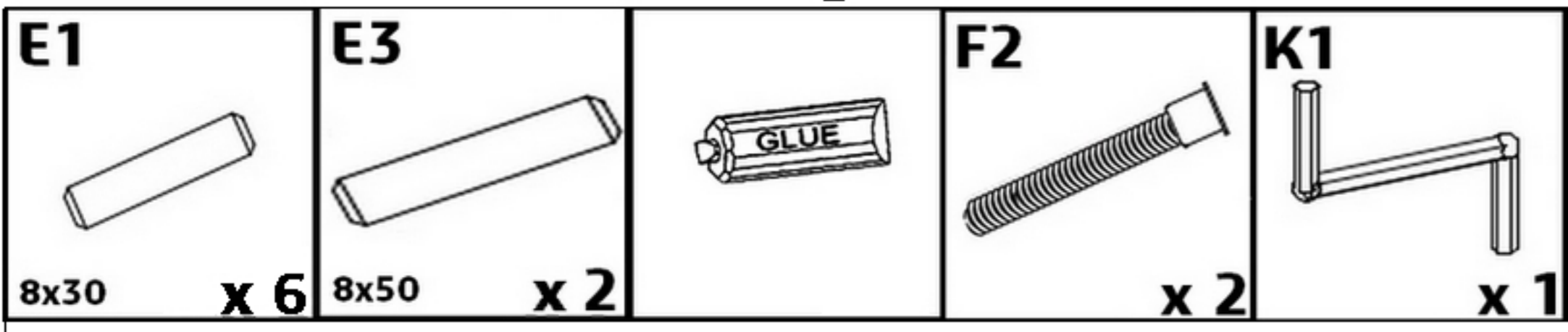
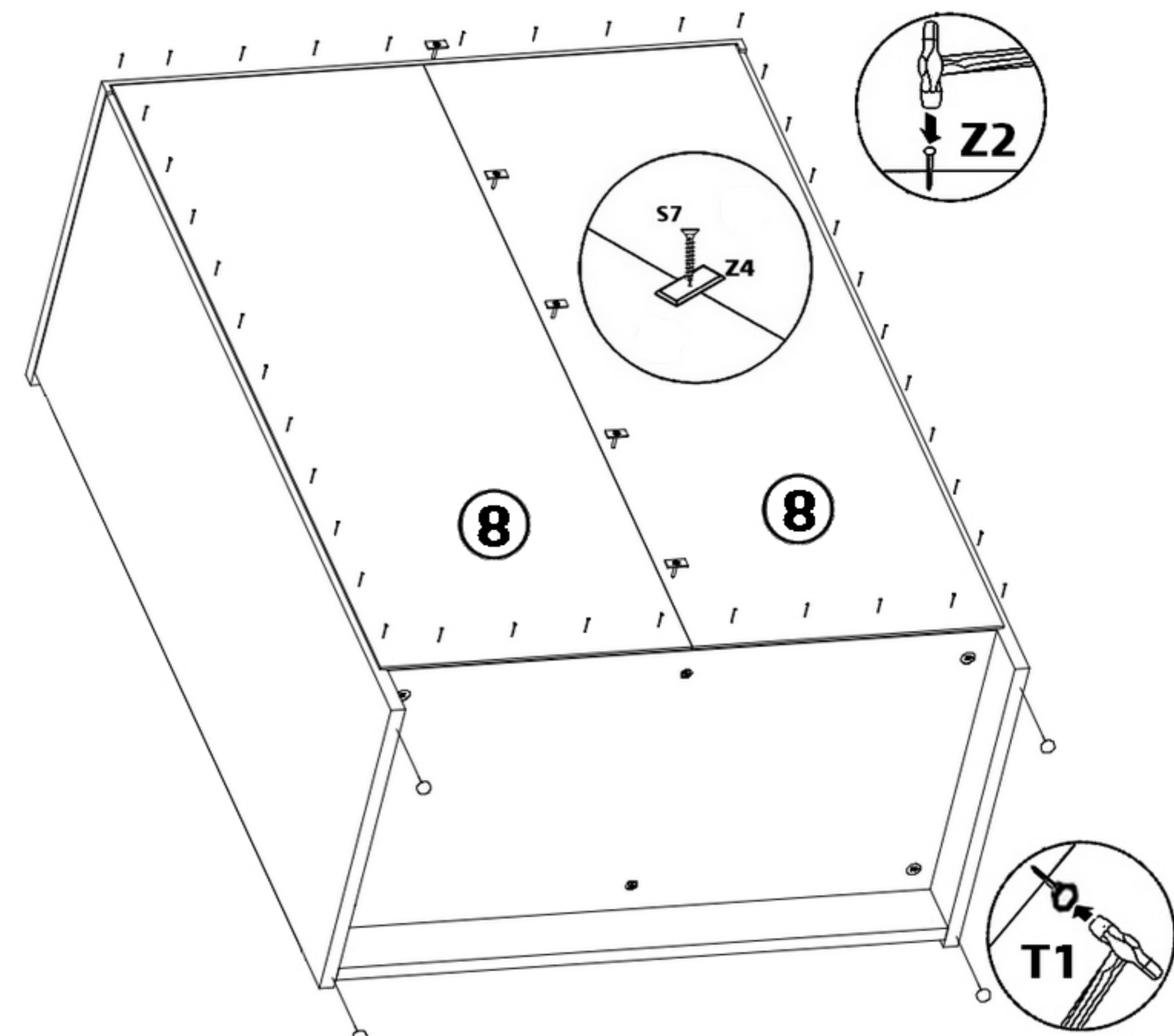
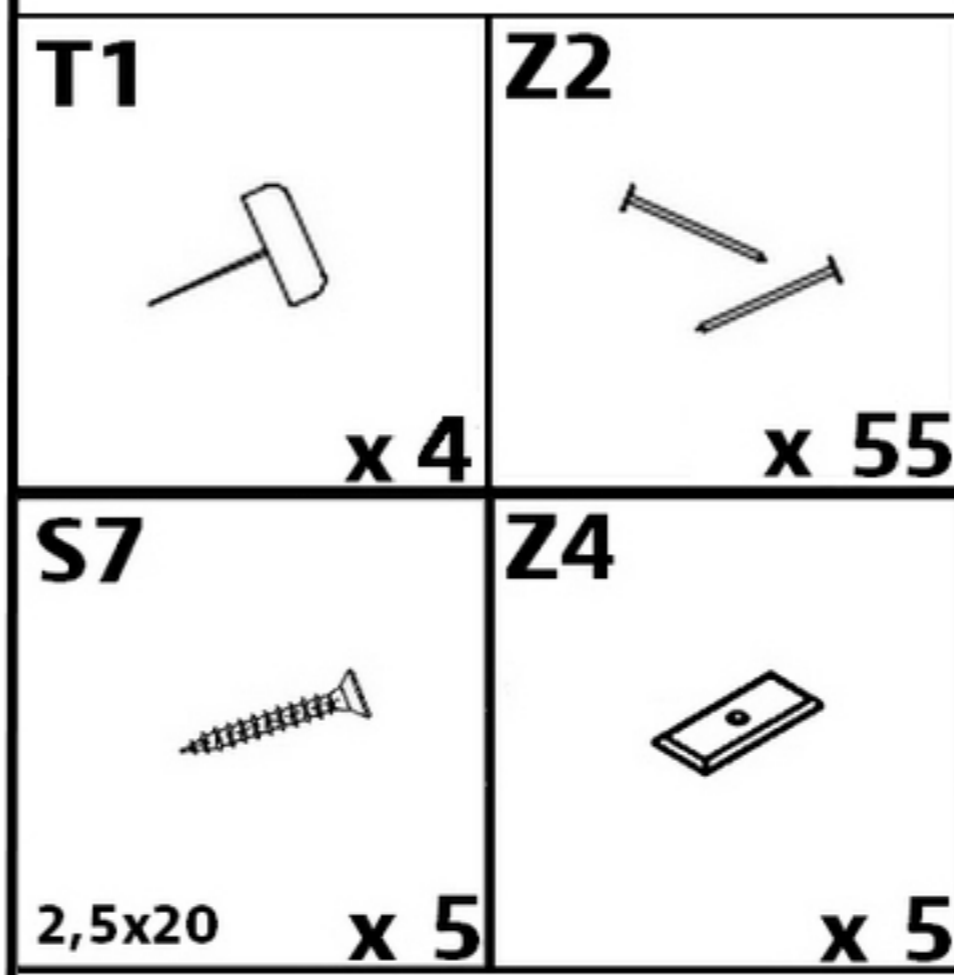
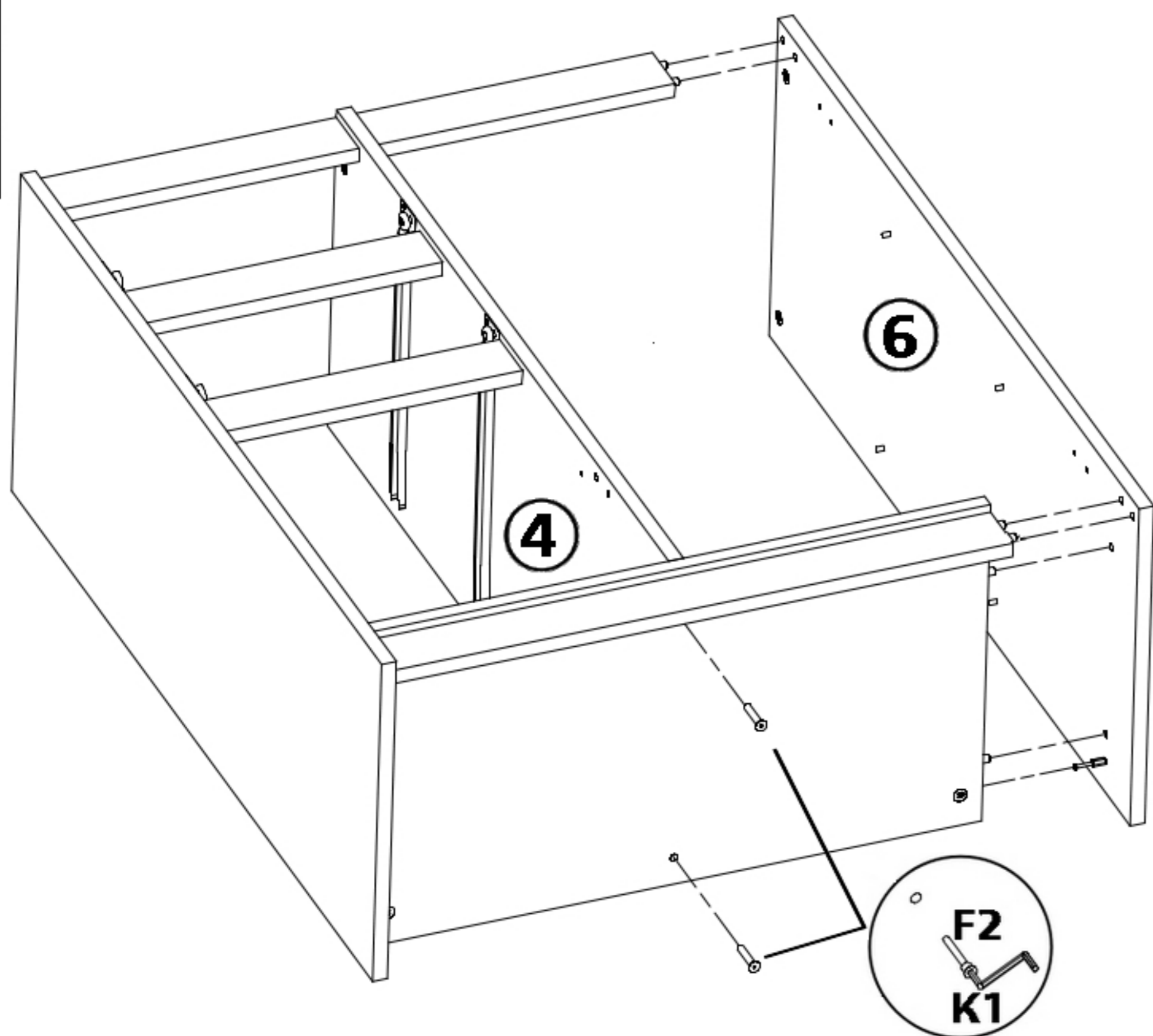
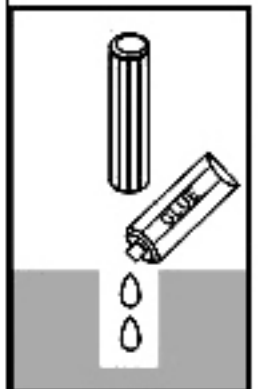
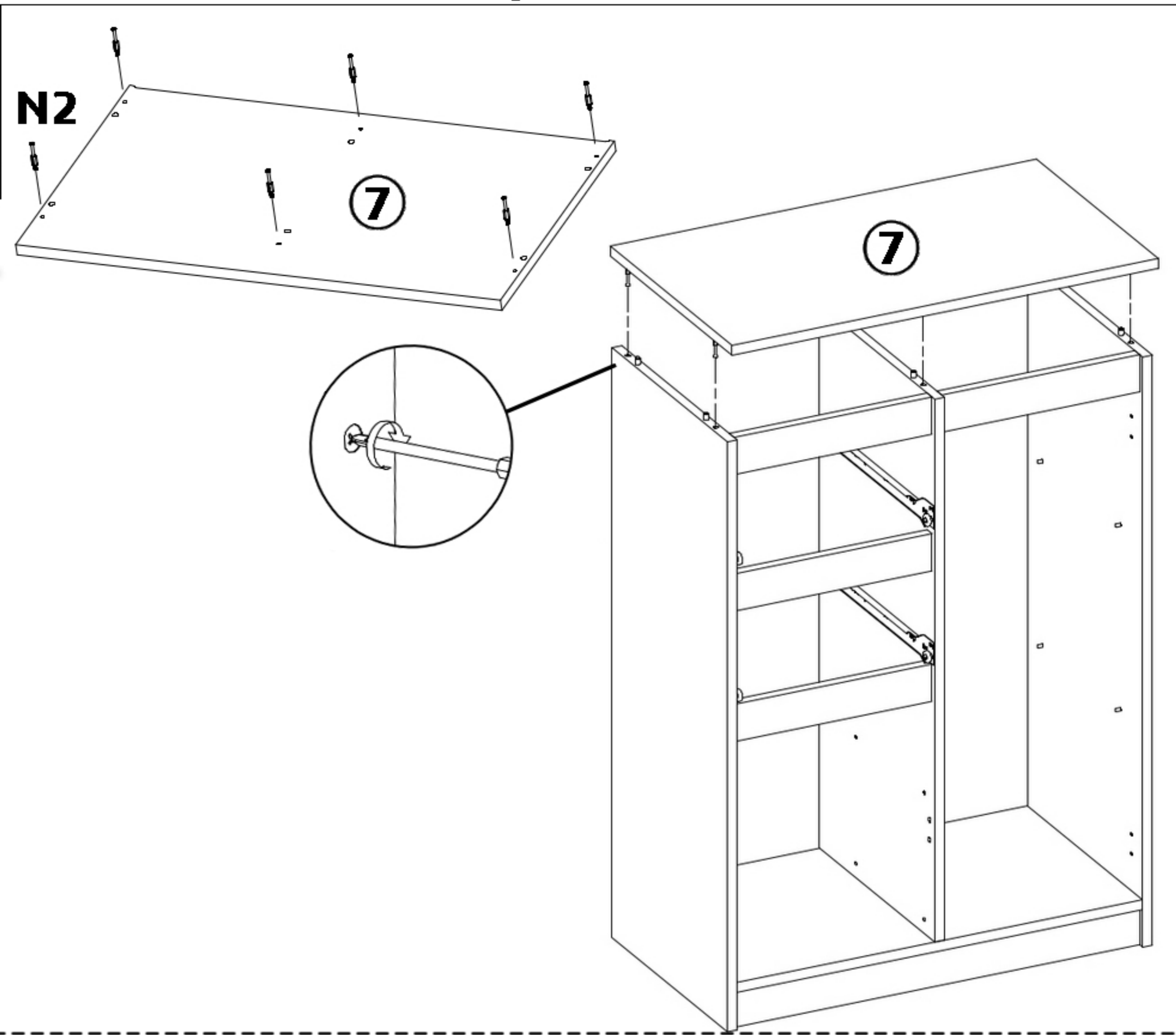
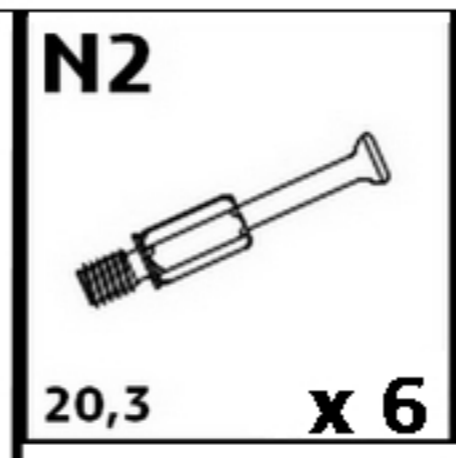
<b>P3</b> 	<b>S15</b> 	<b>E1</b> 	<b>D2</b> 	<b>M3</b> 	<b>N2</b> 
<b>x 2</b> 6x8	<b>x 8</b> 8x30	<b>x 4</b>	<b>x 4</b>	<b>x 4</b> 20,3	<b>x 2</b>

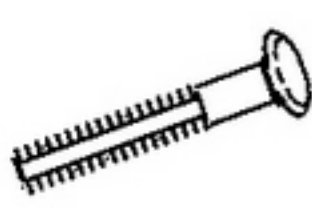


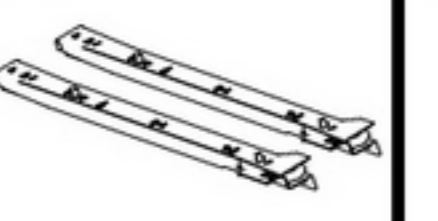





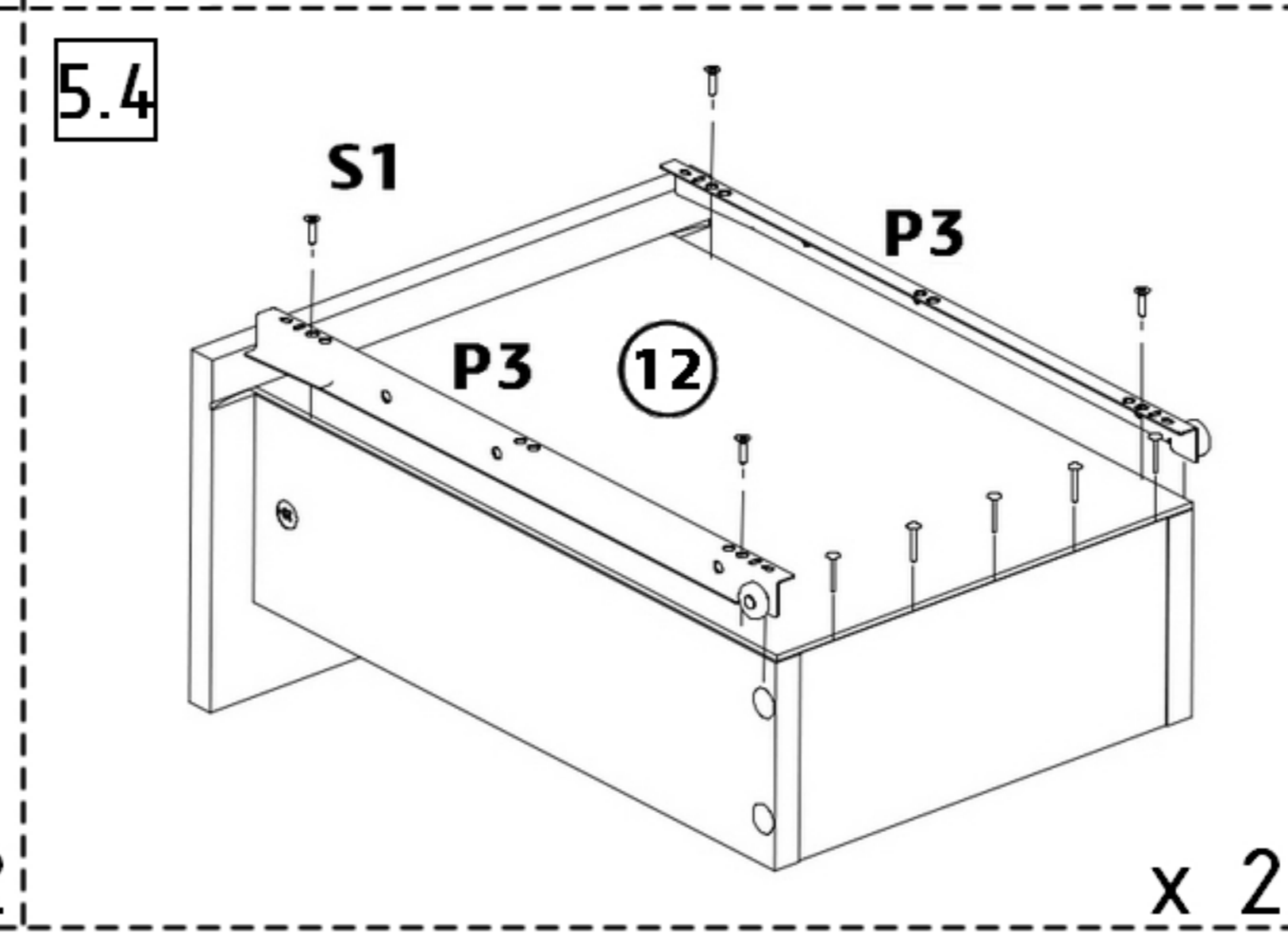
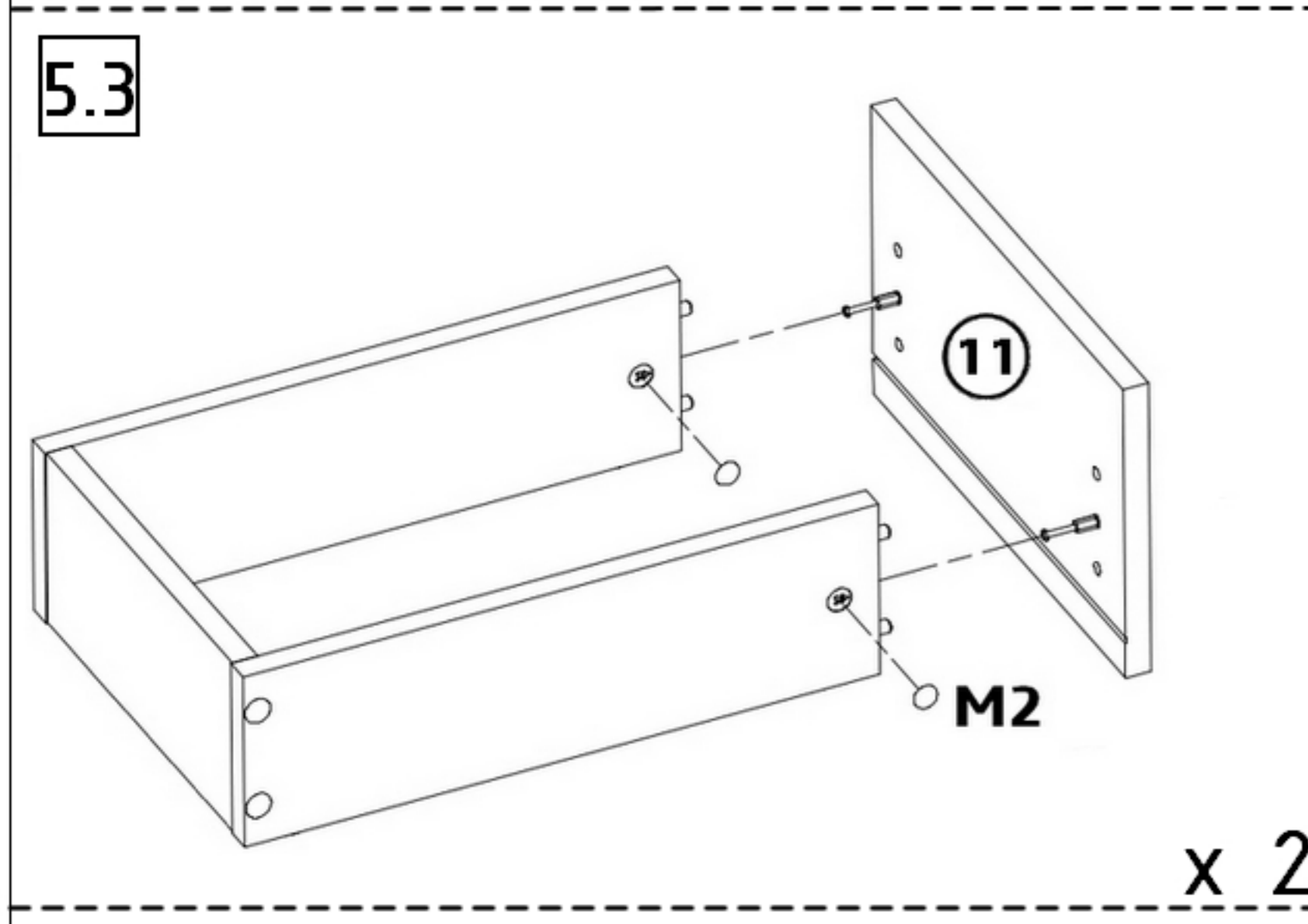
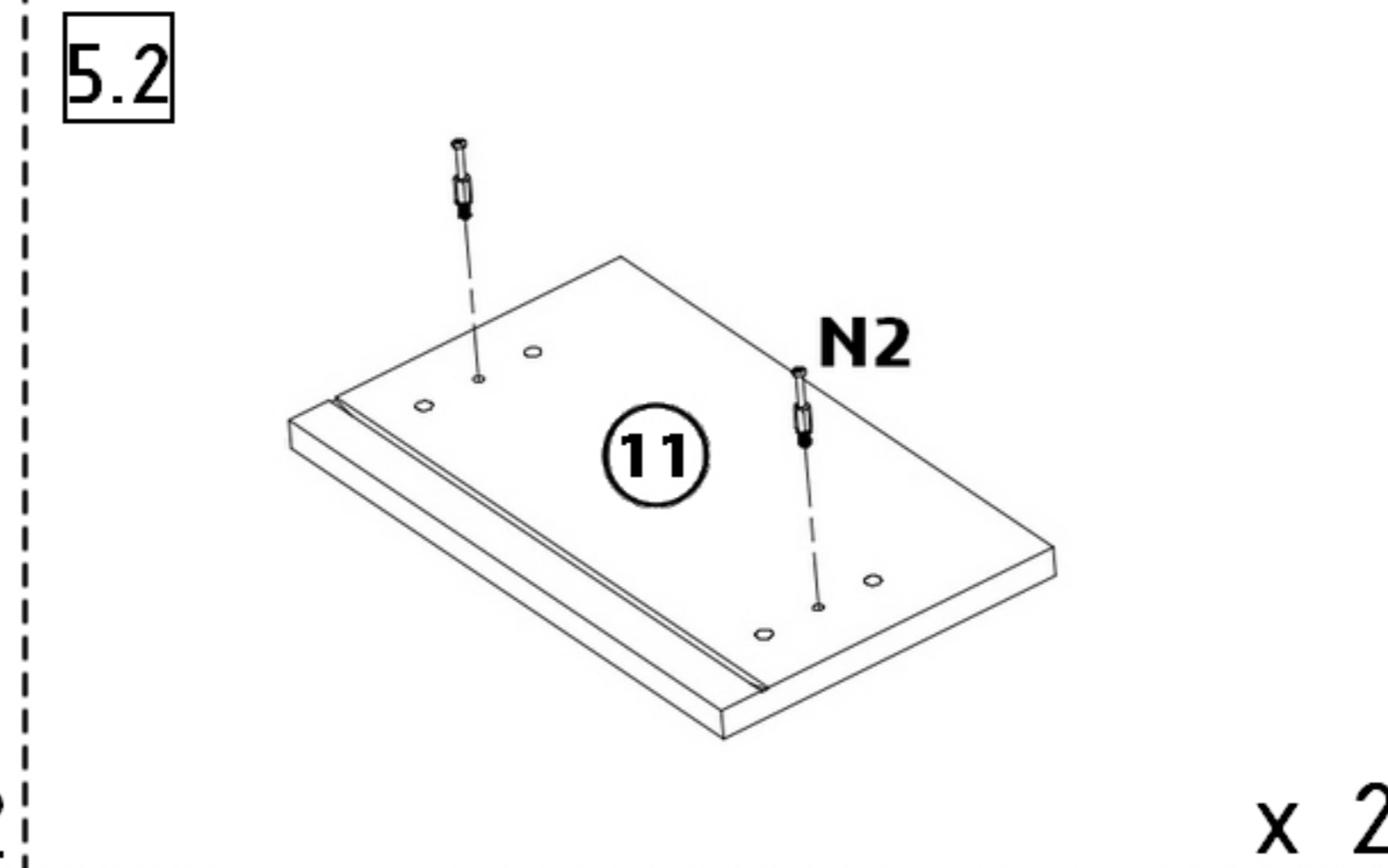
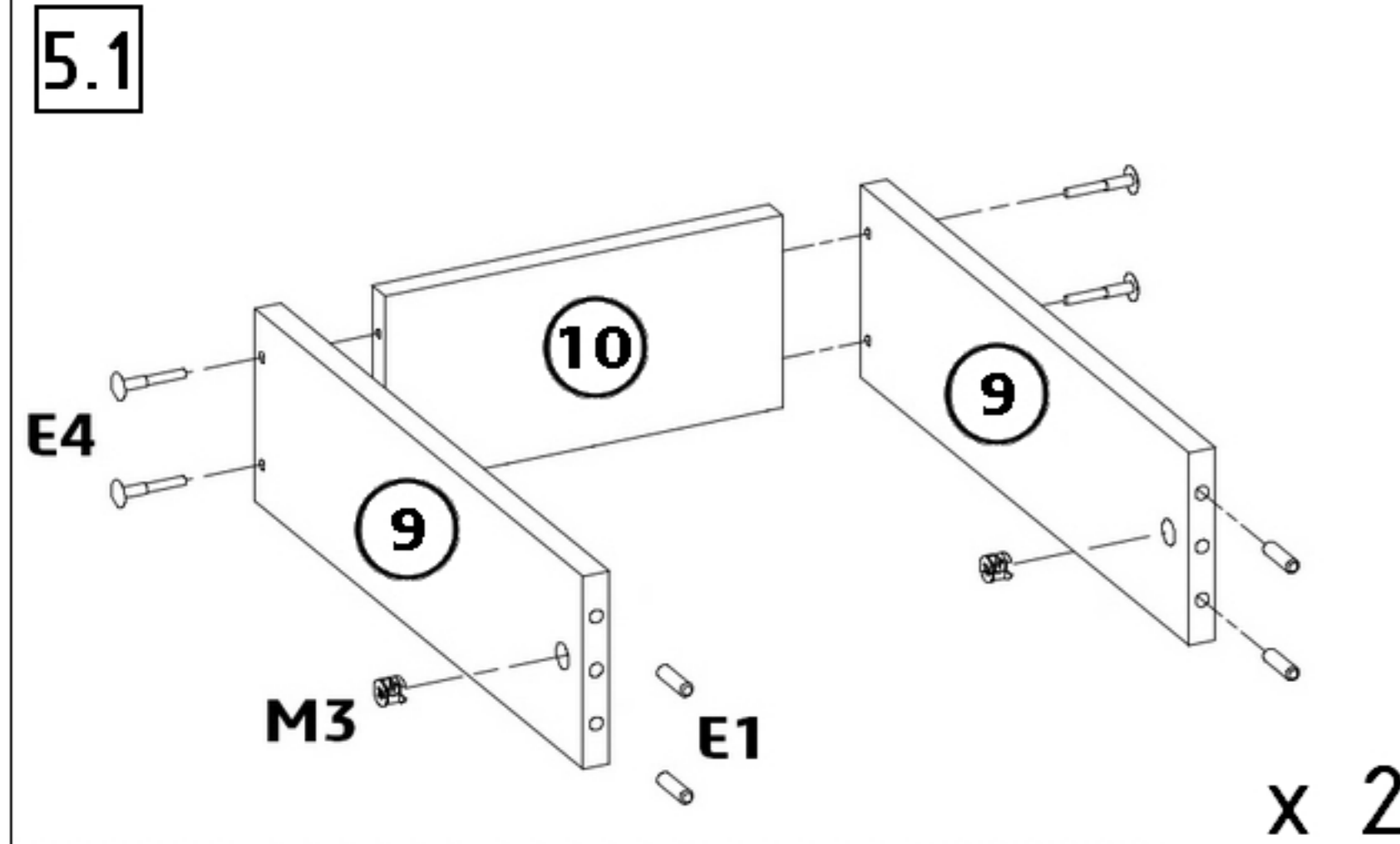
# 2


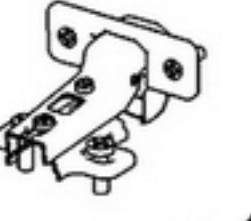
<b>E1</b> 	<b>D2</b> 	<b>M3</b> 	<b>N2</b> 	<b>GLUE</b> 
<b>8x30</b> <b>x 16</b>	<b>x 4</b>	<b>x 6</b> 20,3	<b>x 2</b>	<b>x 1</b>

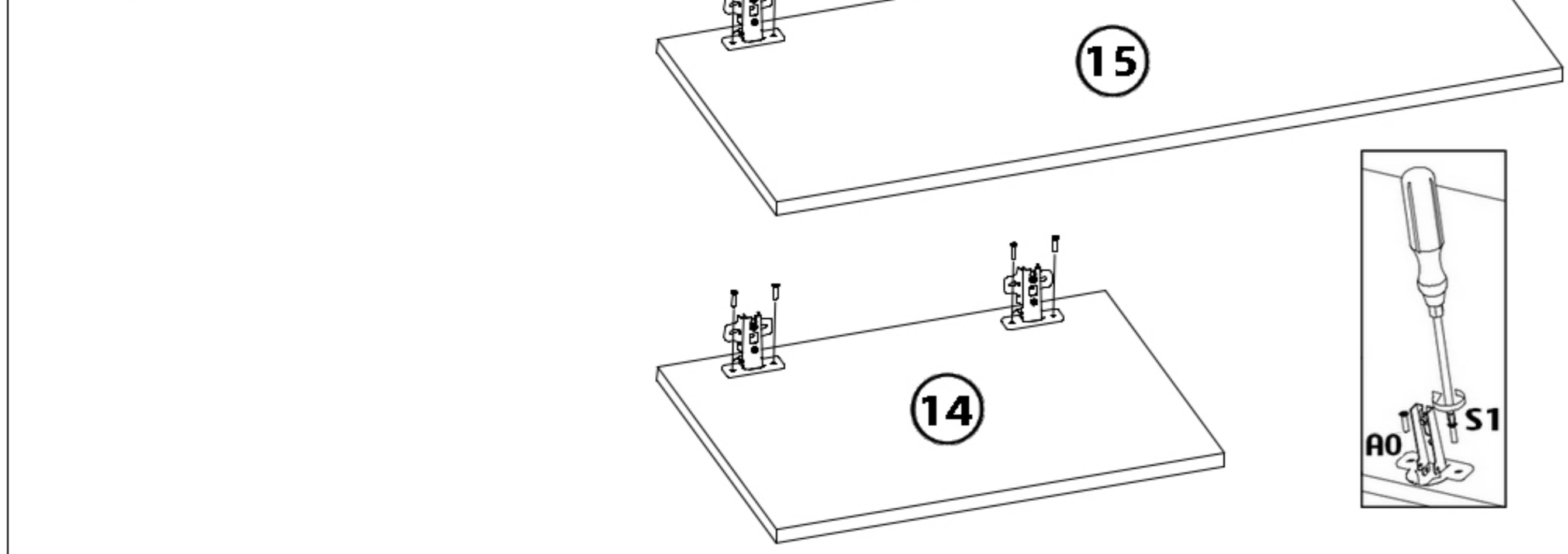


**3****4**

<b>E4</b>  x 8	<b>E1</b>  8x30 x 8	<b>M3</b>  x 4	<b>P3</b>  x 2	<b>S1</b>  3,5x16 x 8	<b>Z2</b>  x 10	<b>M2</b>  x 4
---	---	---	--	--	--	---



<b>S1</b>  3,5x16 x 8	<b>A0</b>  x 4
---	---



**6**

