

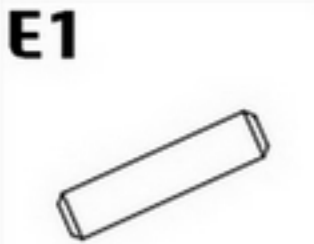

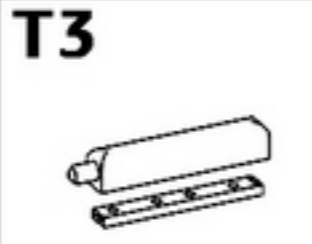
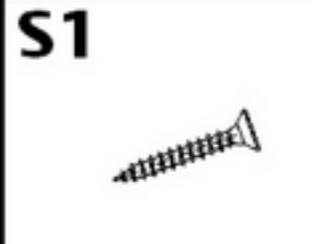

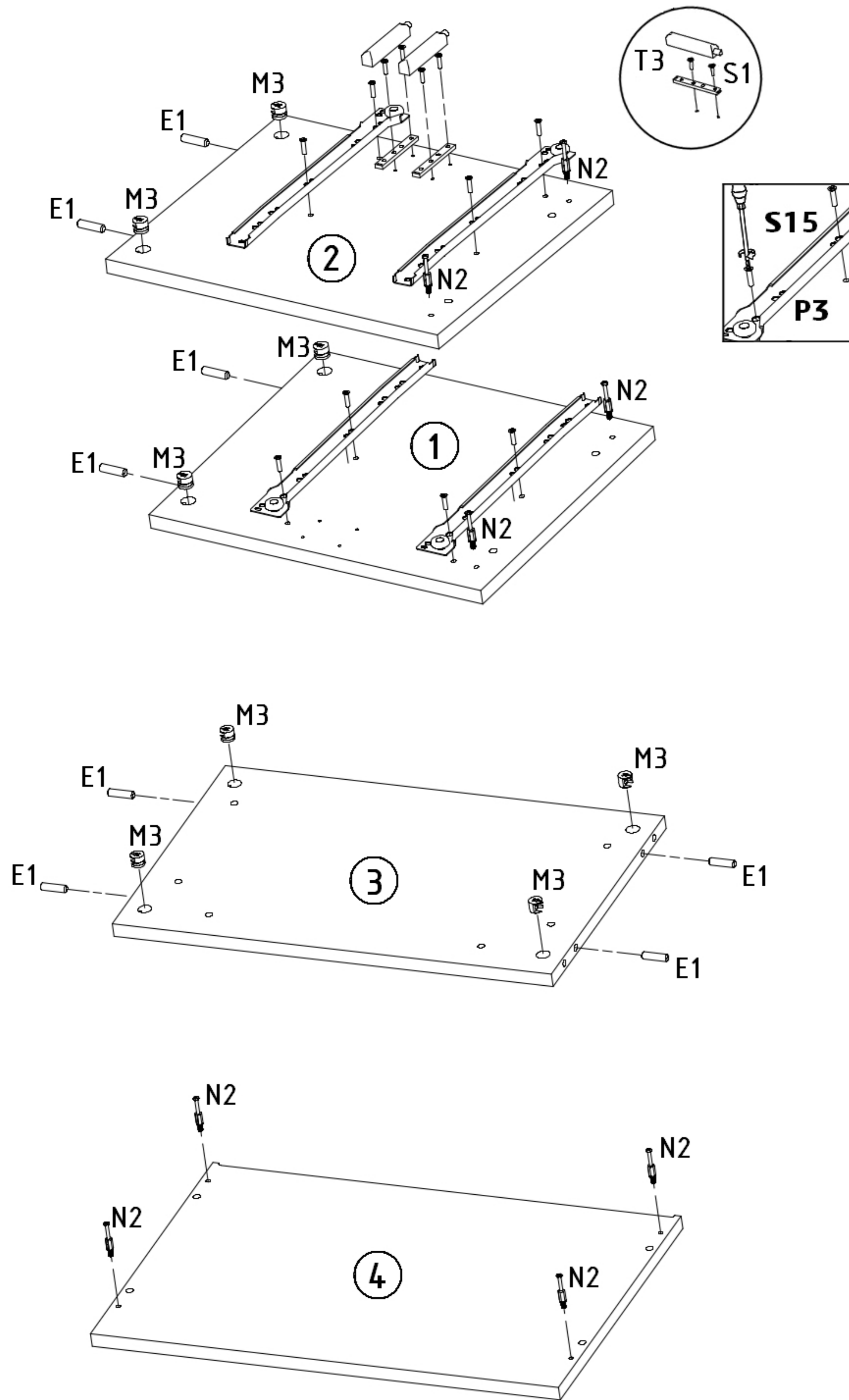
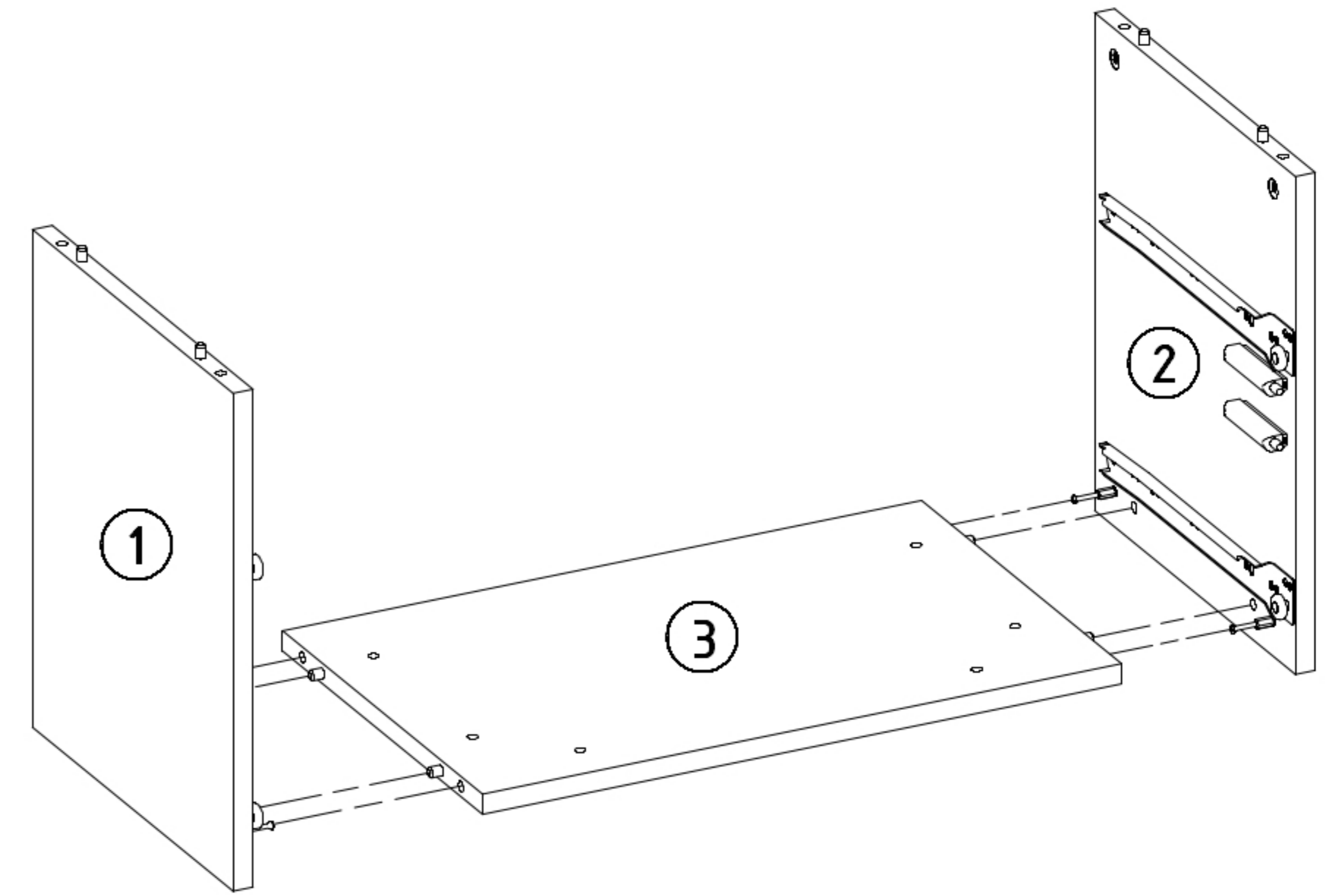
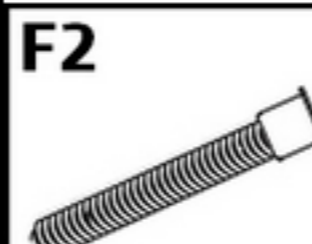
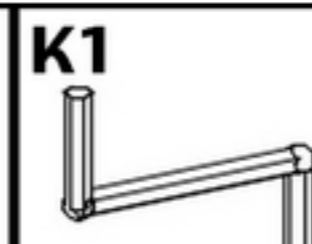
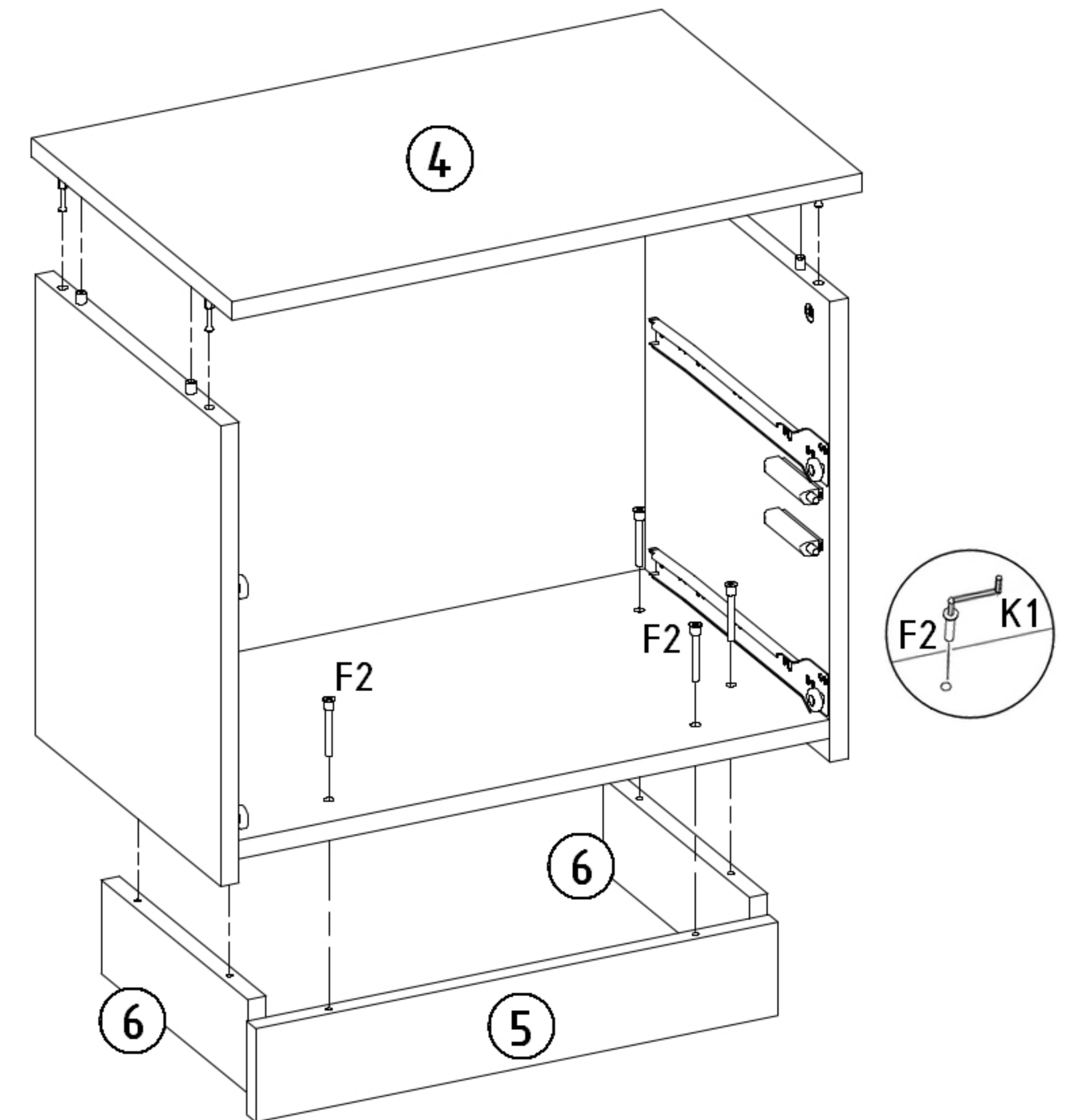


1

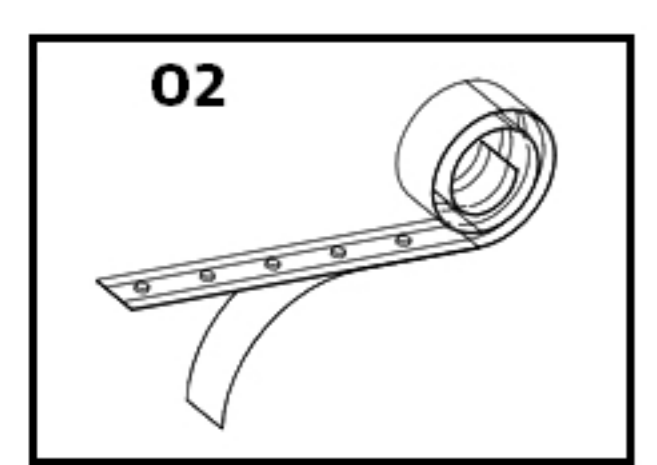
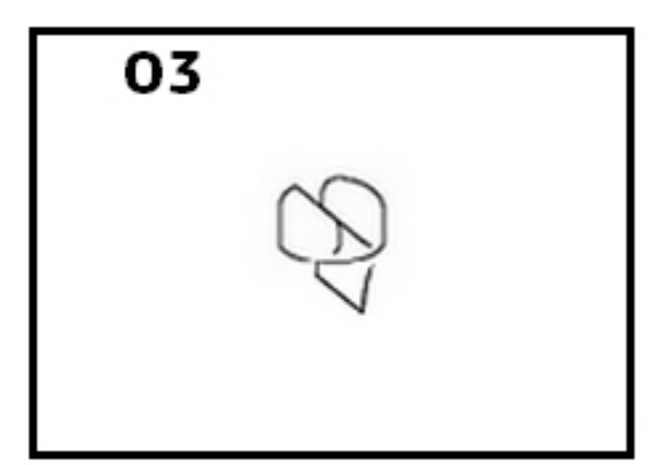
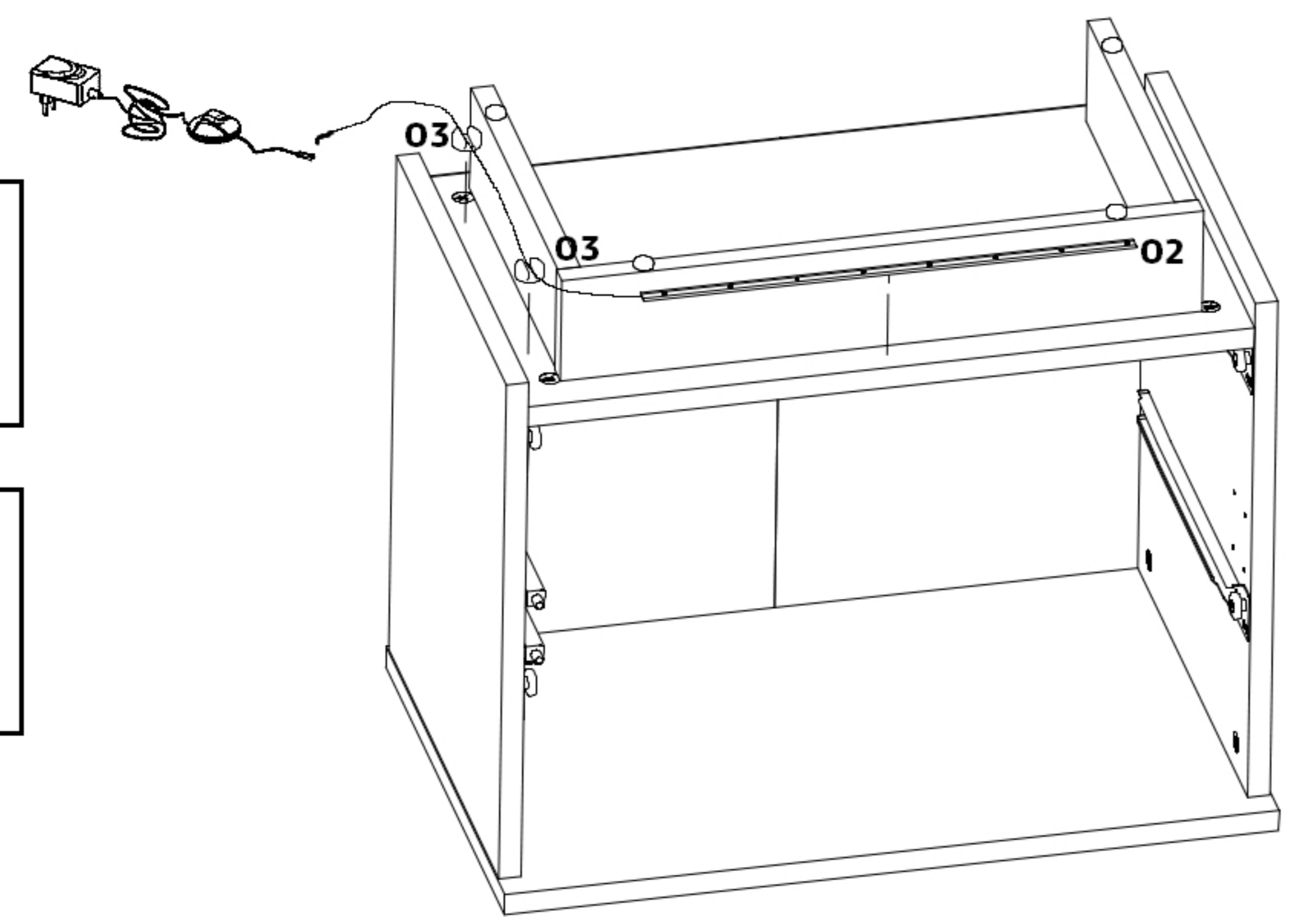
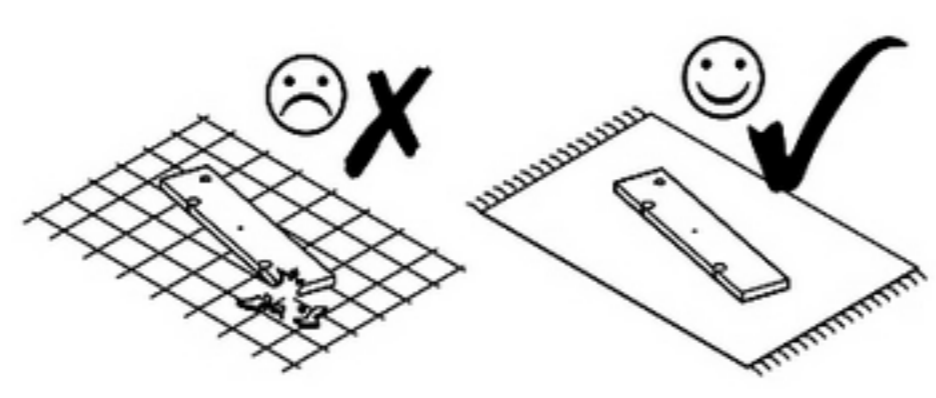
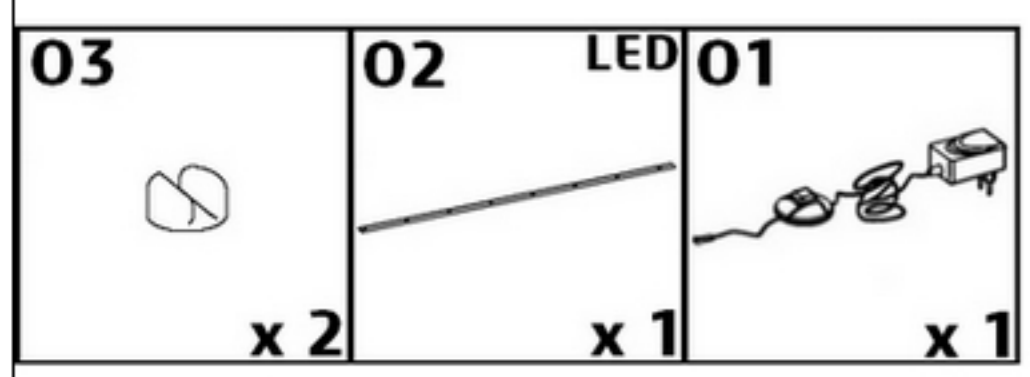
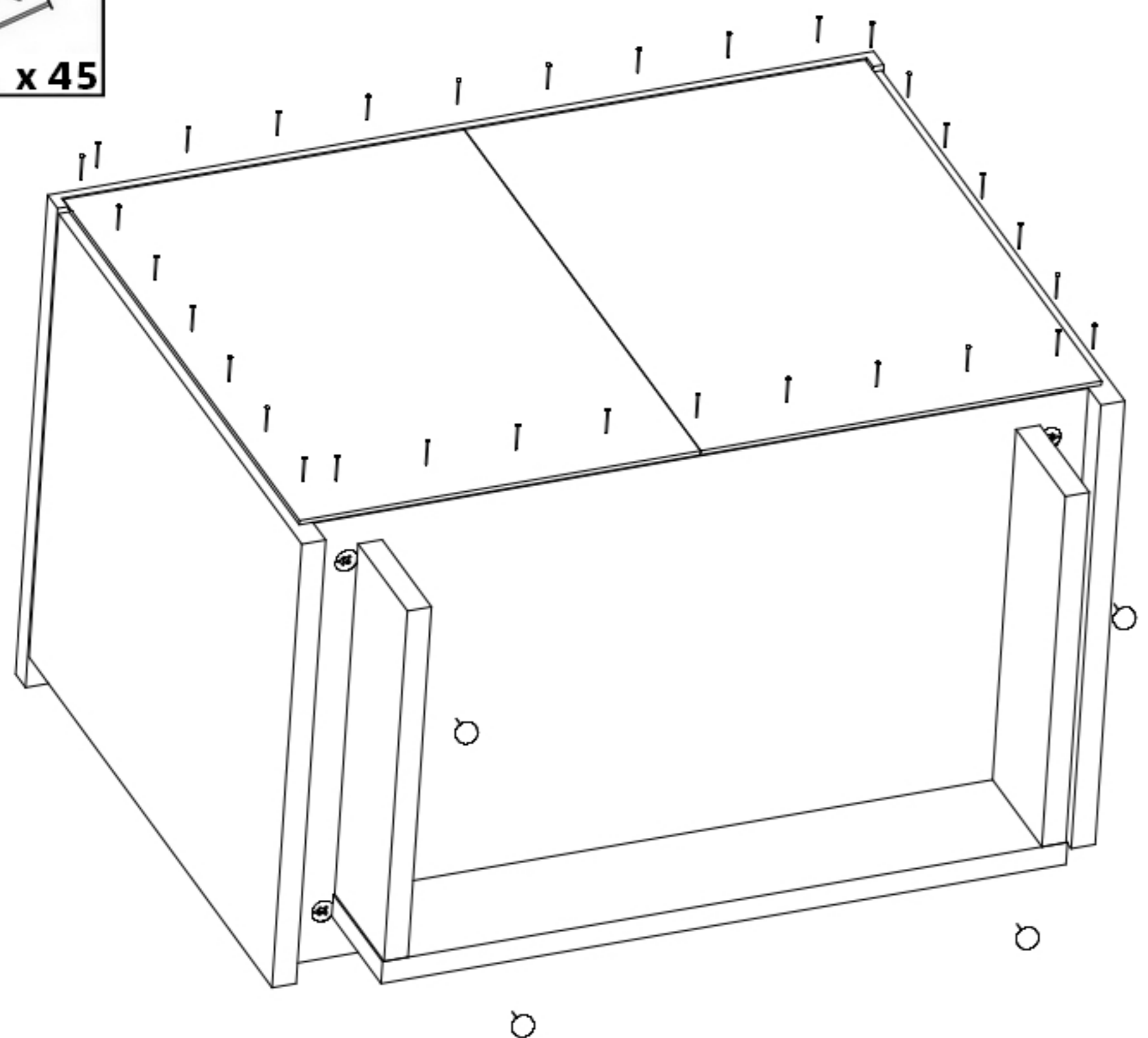
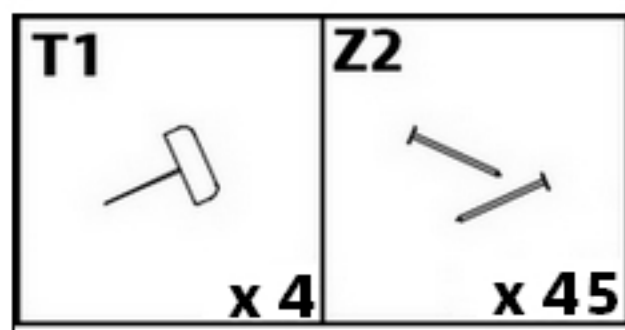
P3  x 2	S15  x 8	E1  x 8	M3  x 8	T3  x 2	S1  3,5x16 x 4	N2  20,3 x 8
---	---	--	--	--	--	---

**2**

F2  x 6	K1  x 1
---	---



3



4

