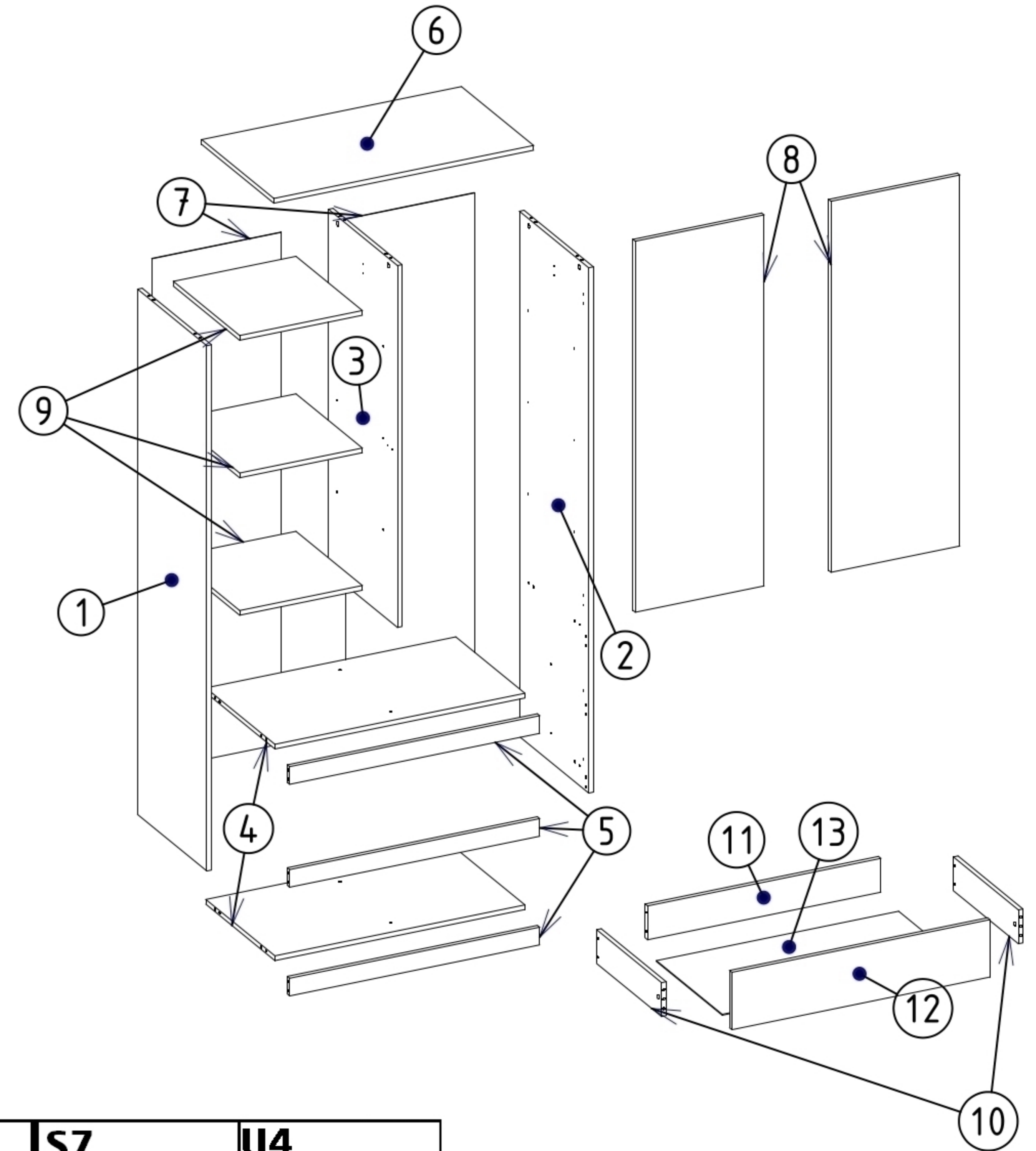
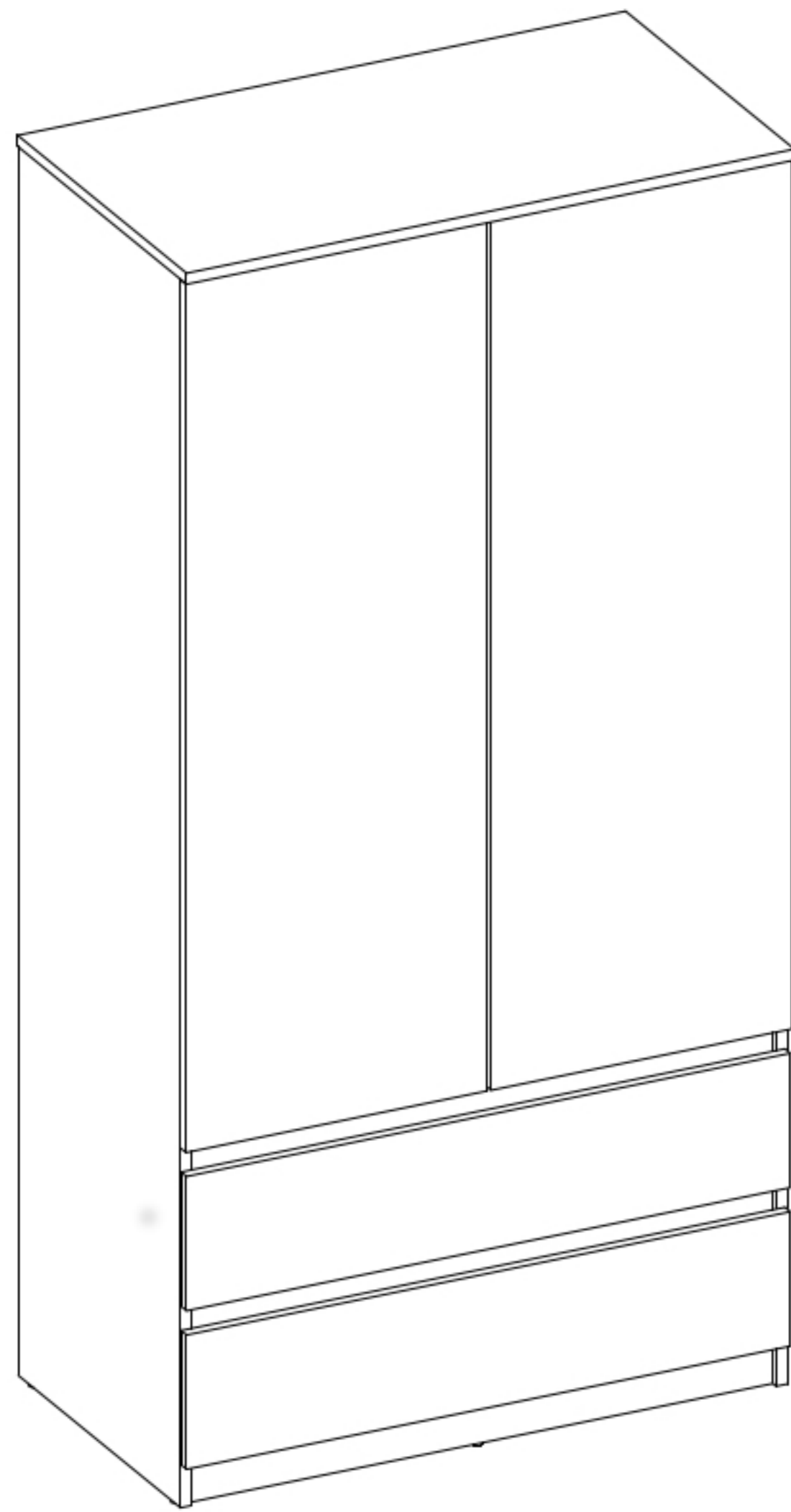

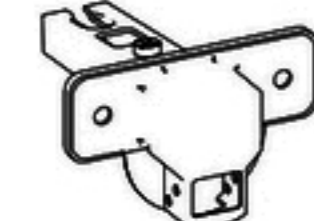

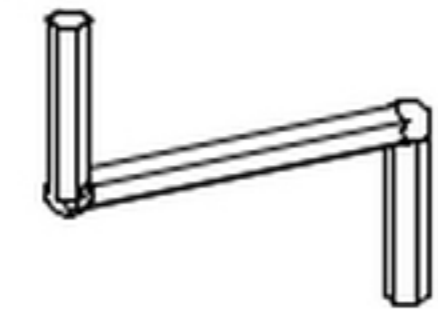


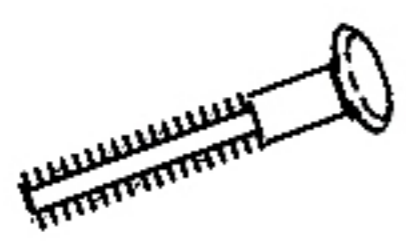




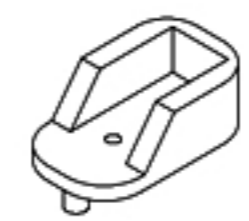
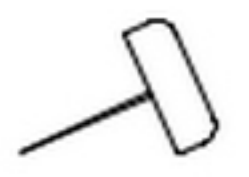




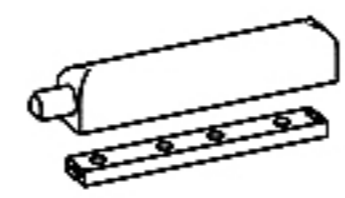

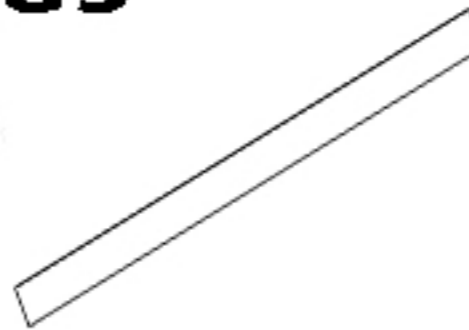



# SS-90

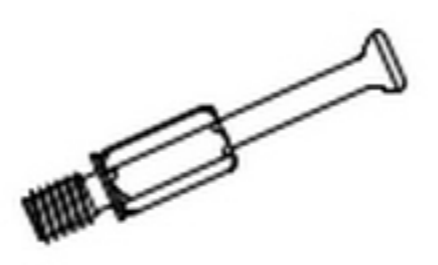
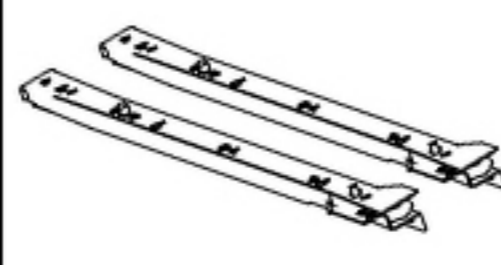

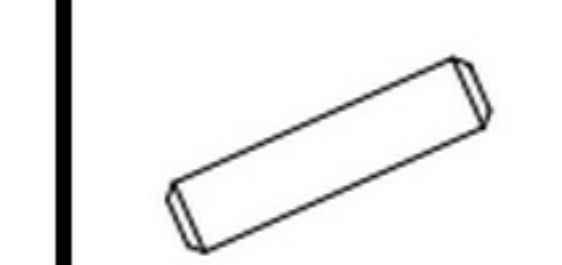
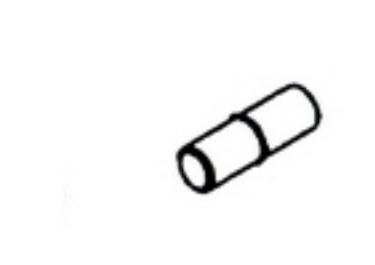


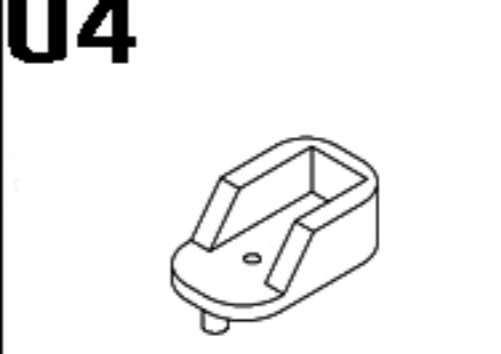


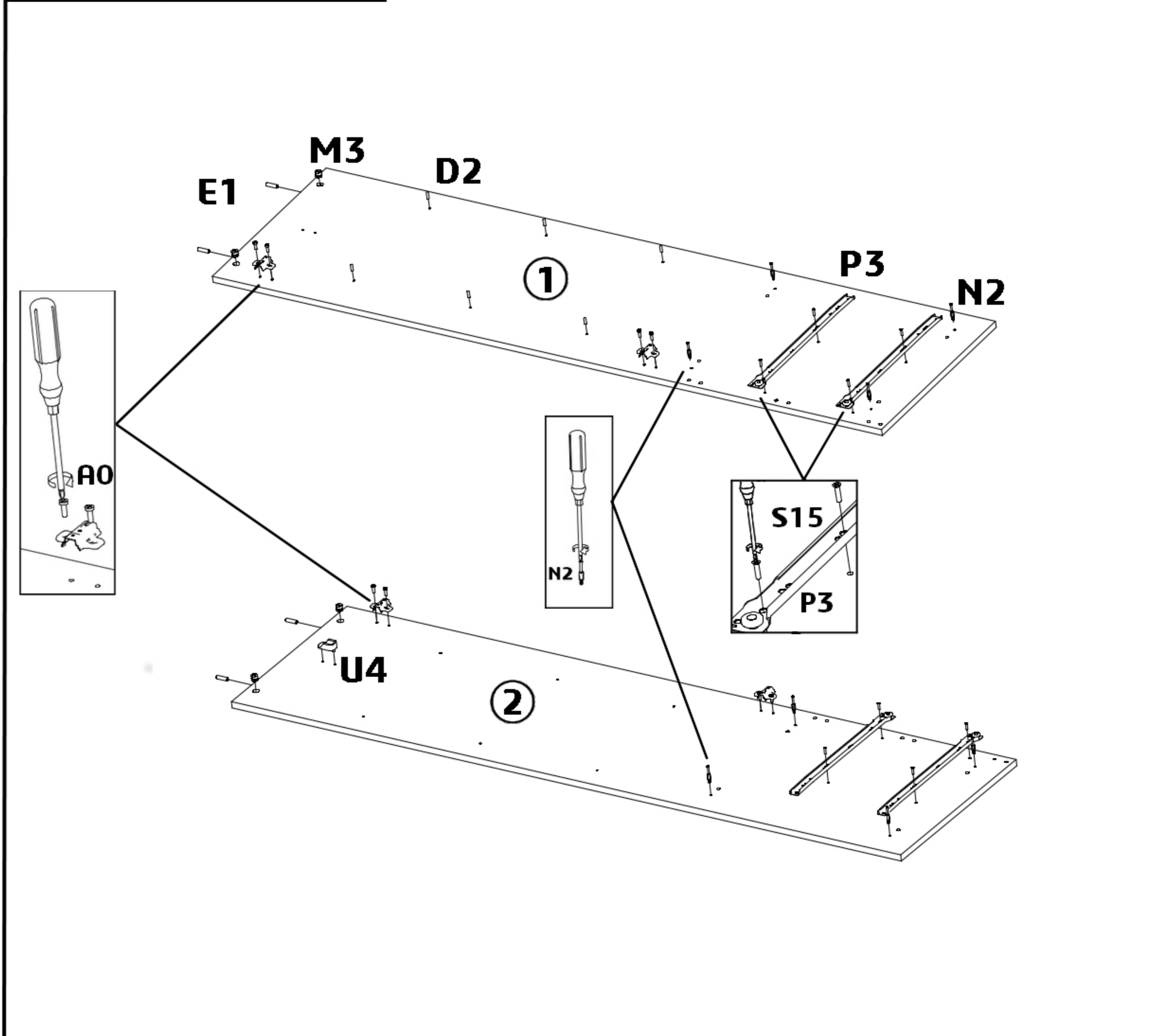
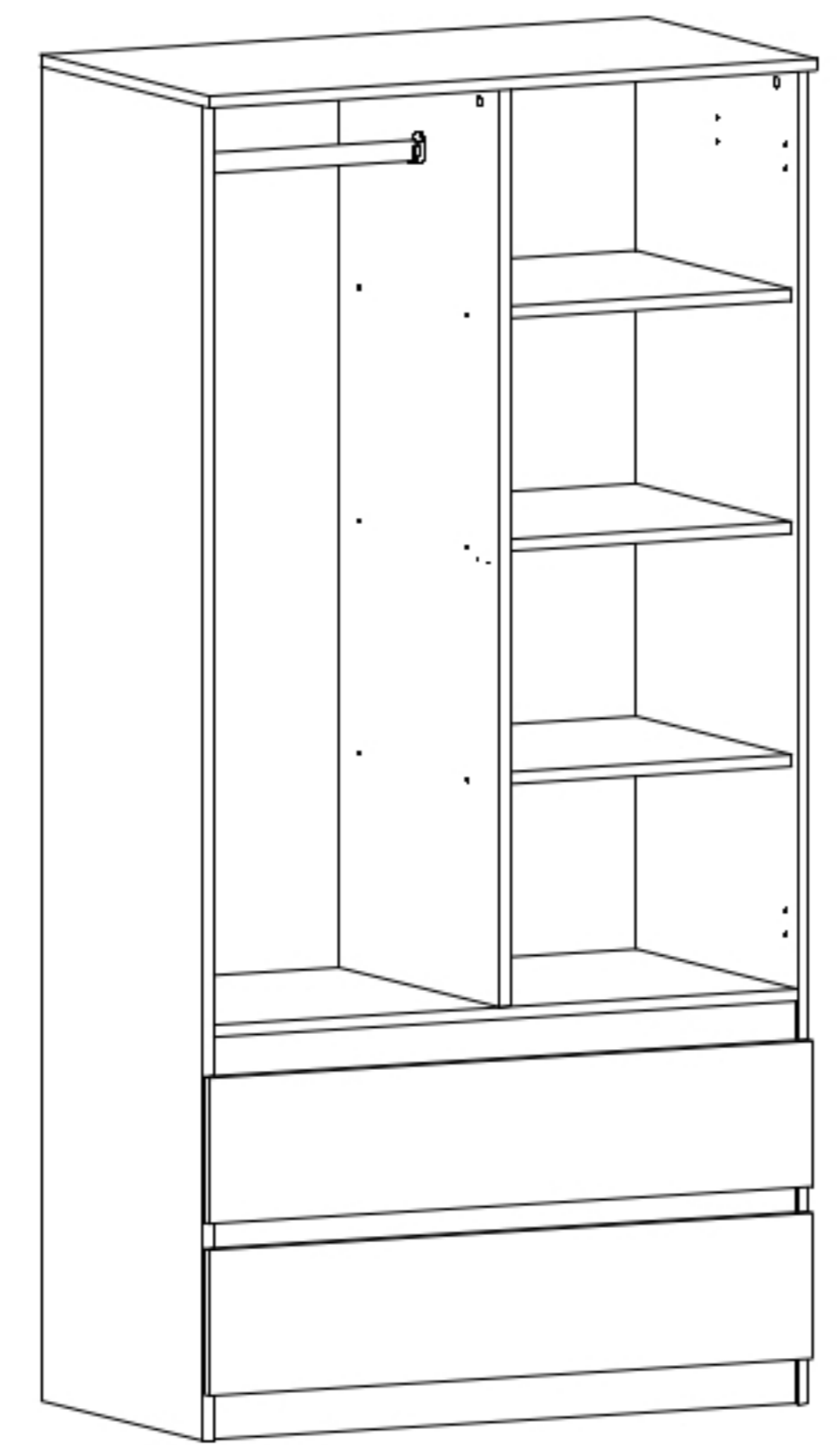
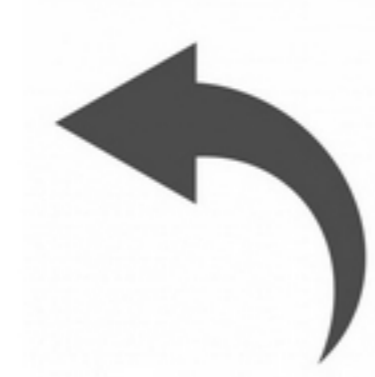
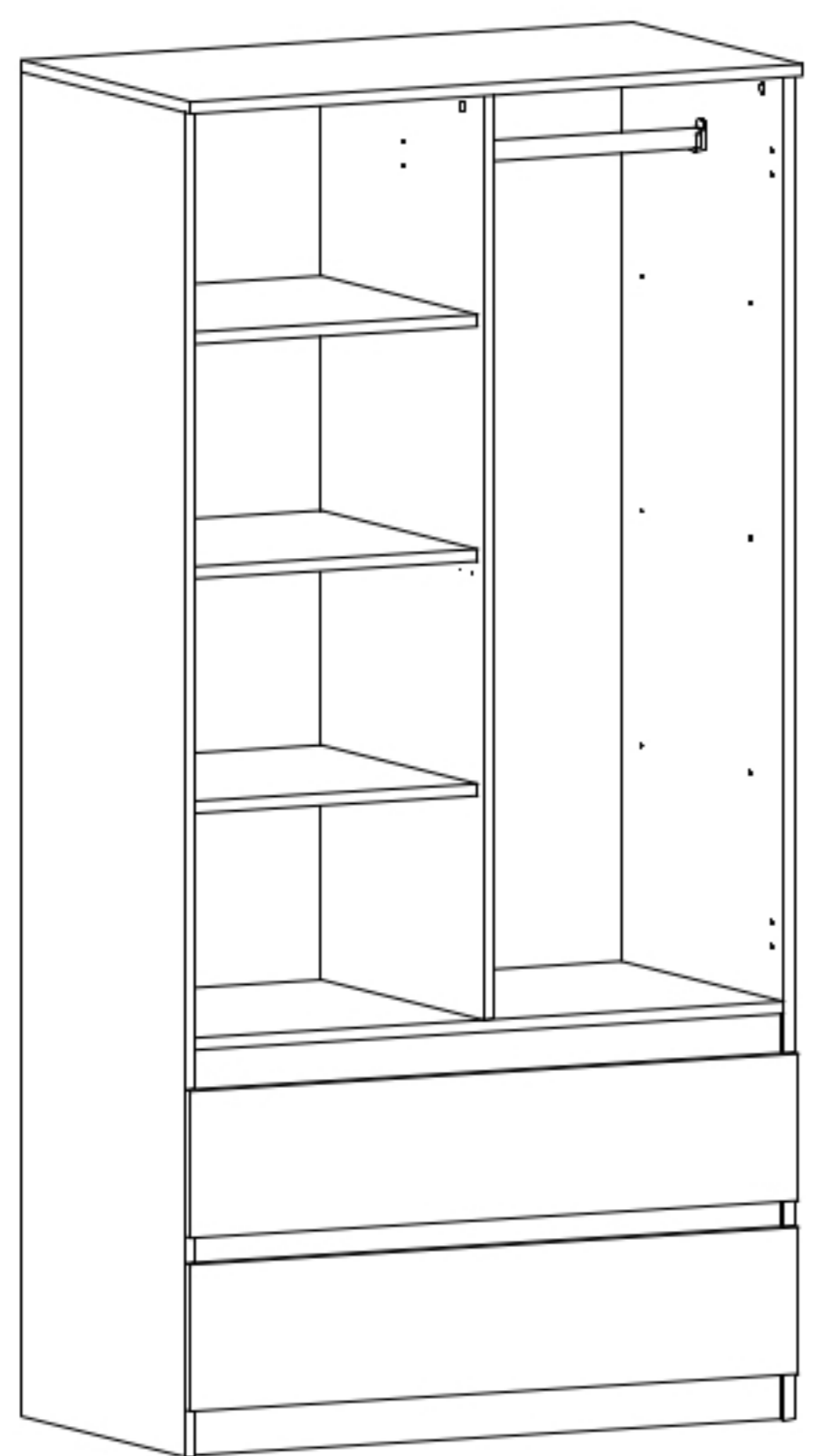
<b>A0</b>  x 4	<b>A1</b>  x 4	<b>F2</b>  x 2	<b>K1</b>  x 1
---	---	---	--

<b>N2</b>  20,3 x 18	<b>M3</b>  x 18	<b>E4</b>  x 8	<b>S1</b>  3,5x16 x 18	<b>E1</b>  8x30 x 34	<b>D2</b>  x 12	<b>S7</b>  2,5x20 x 5	<b>U4</b>  x 2
---	--	---	--	---	--	--	---




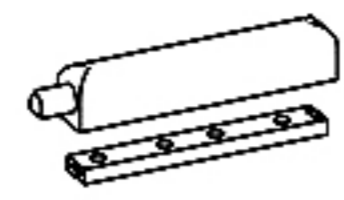

<b>T1</b>  x 5	<b>Z2</b>  x 100	<b>P3</b>  L=400 x 2	<b>S15</b>  6x8 x 12	<b>M2</b>  x 10	<b>T3</b>  x 2	 x 1	<b>U5</b>  x 1	<b>Z4</b>  x 5
---	---	---	--	--	---	--	---	---

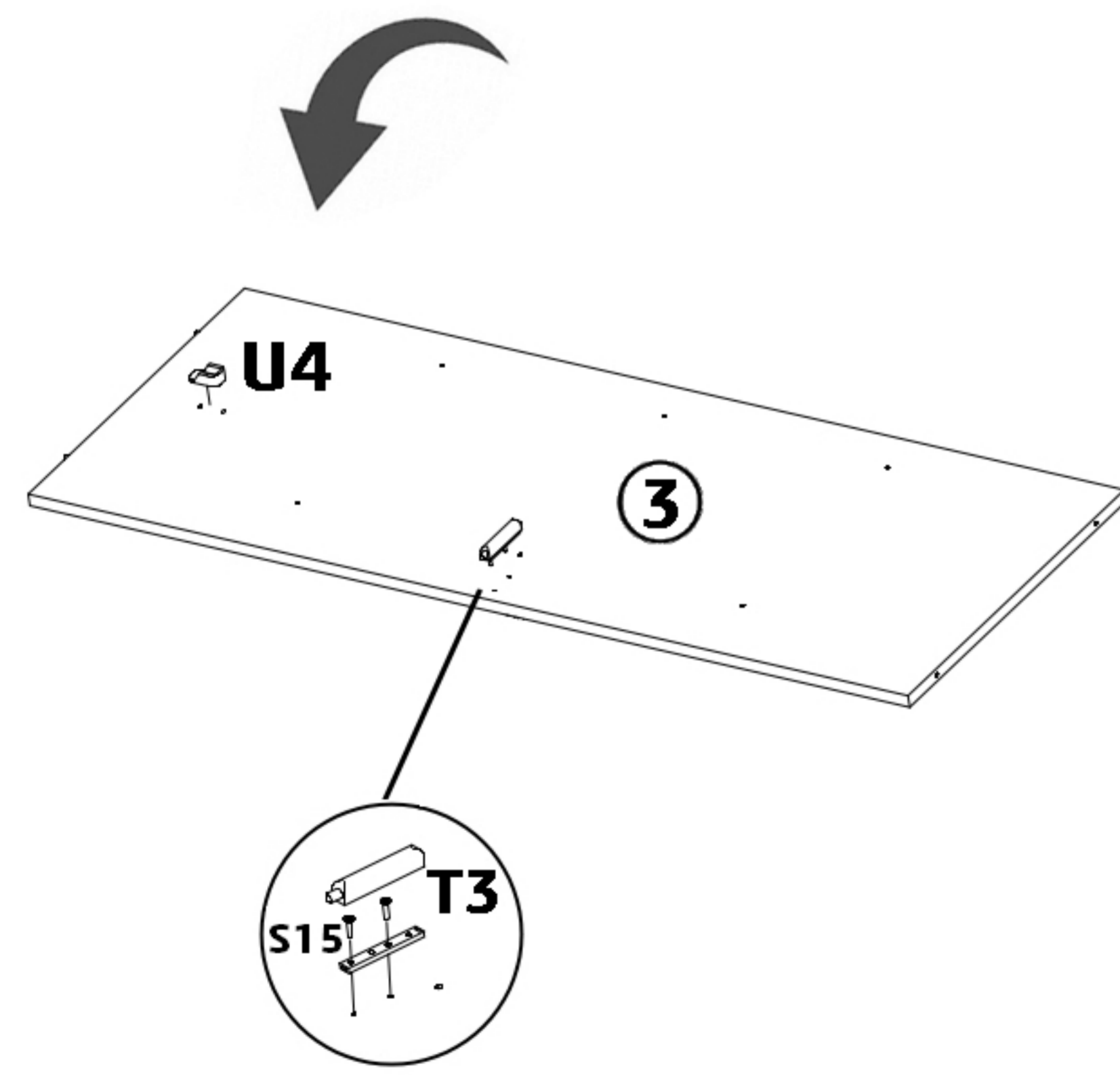
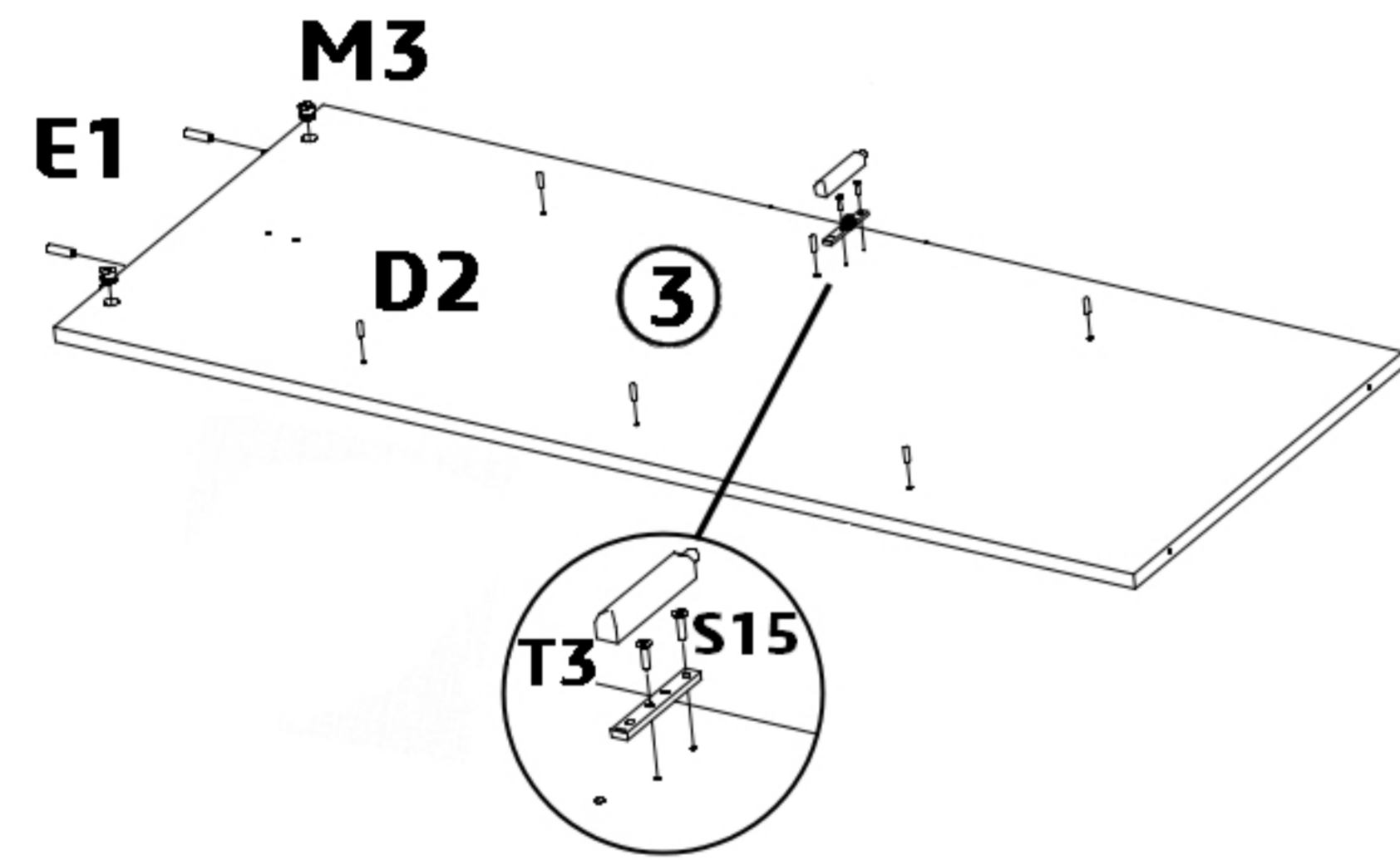
<b>1</b>	x 1	<b>7</b>	x 2
<b>2</b>	x 1	<b>8</b>	x 2
<b>3</b>	x 1	<b>9</b>	x 3
<b>4</b>	x 2	<b>10</b>	x 4
<b>5</b>	x 3	<b>11</b>	x 2
<b>6</b>	x 1	<b>12</b>	x 2
		<b>13</b>	x 2

<b>N2</b>  20,3 x 8	<b>P3</b>  L=400 x 2	<b>S15</b>  6x8 x 8	<b>E1</b>  8x30 x 4	<b>D2</b>  x 6	<b>M3</b>  x 4
<b>A0</b>  x 4	<b>U4</b>  x 1				





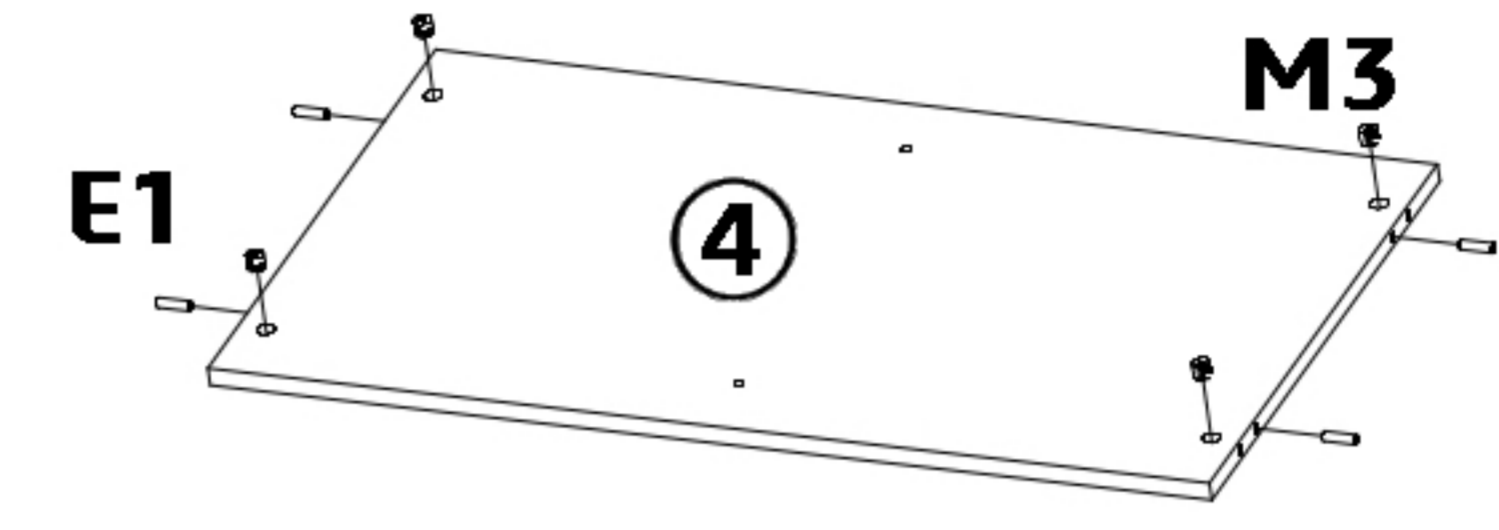
# 2

<b>E1</b>  8x30 x 2	<b>D2</b>  x 6	<b>M3</b>  x 2	<b>T3</b>  x 2	<b>S15</b>  6x8 x 4
--	---	---	--	--




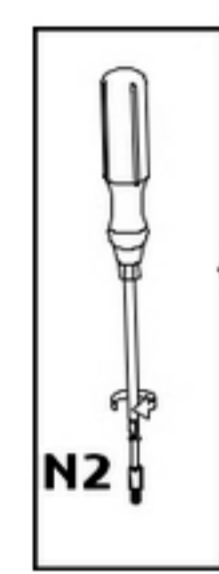
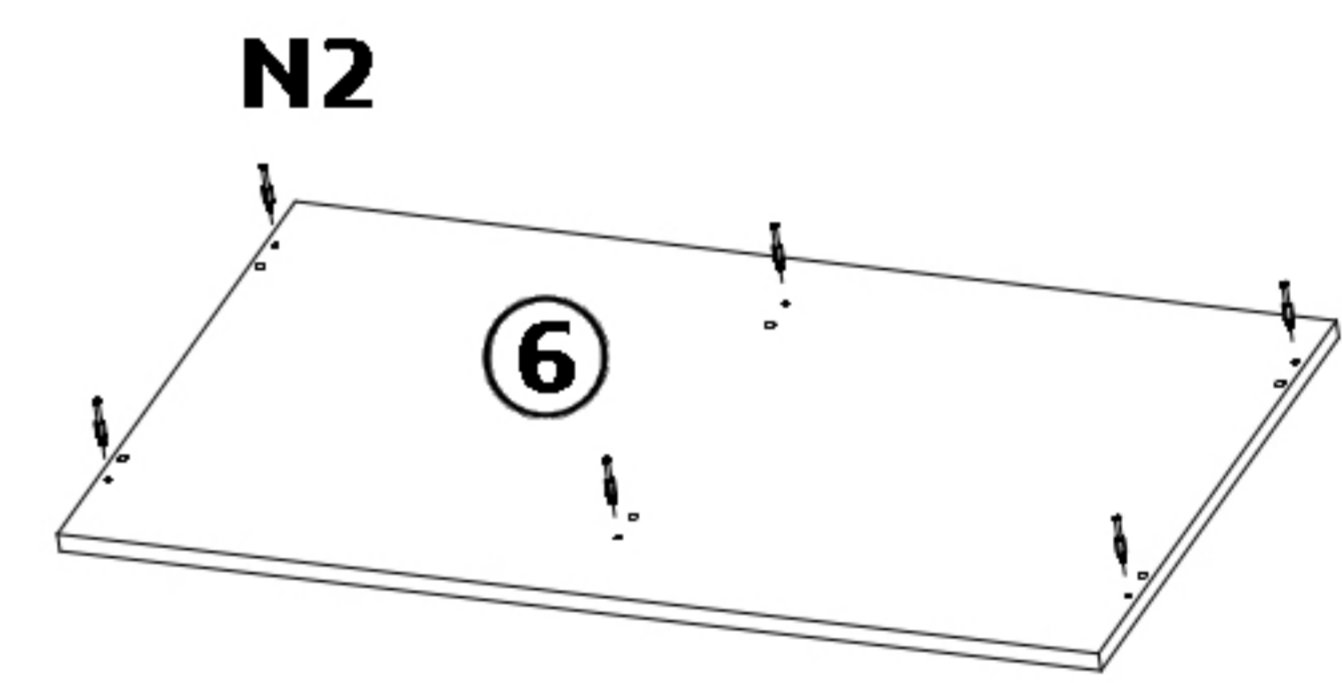
# 3


<b>M3</b>  x 8	<b>E1</b>  8x30 x 8
---	--

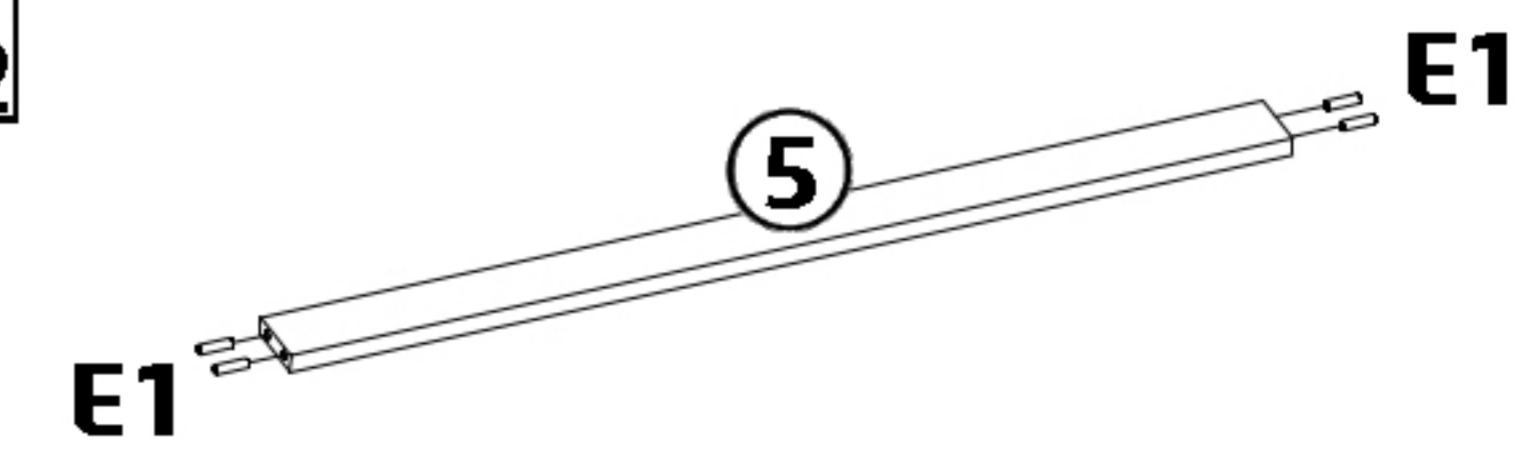


x 2

<b>N2</b>  20,3 x 6
---

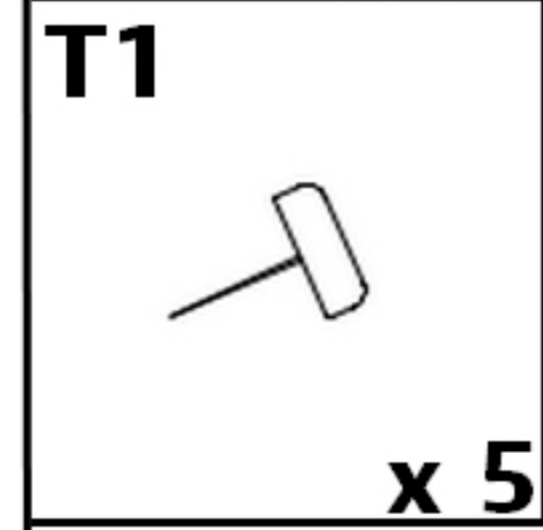
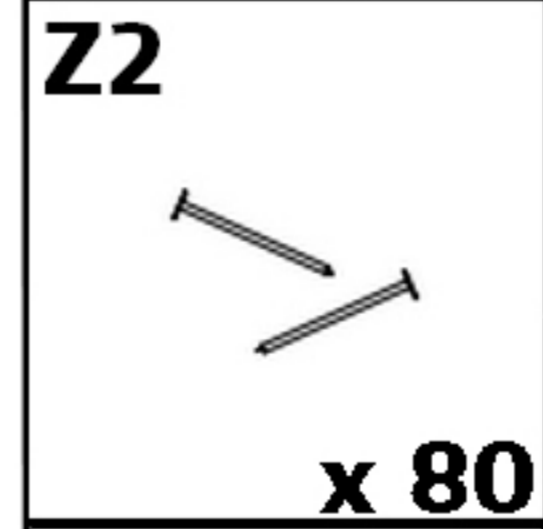
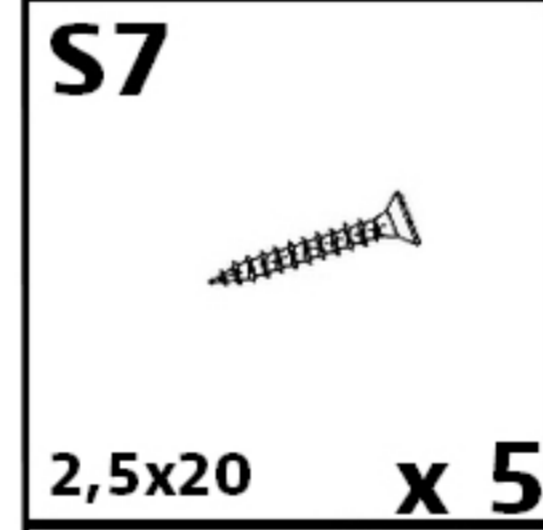
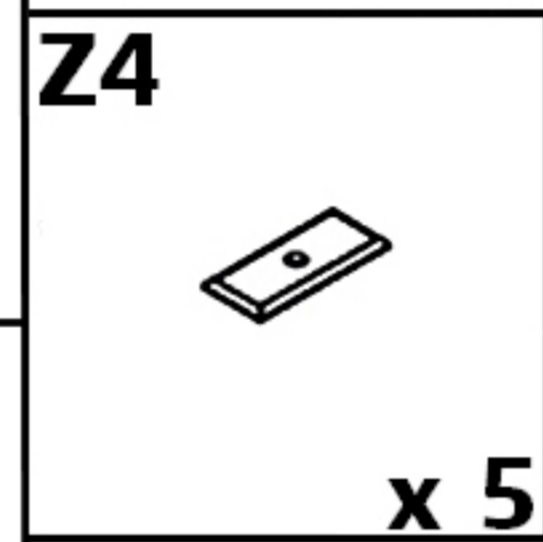
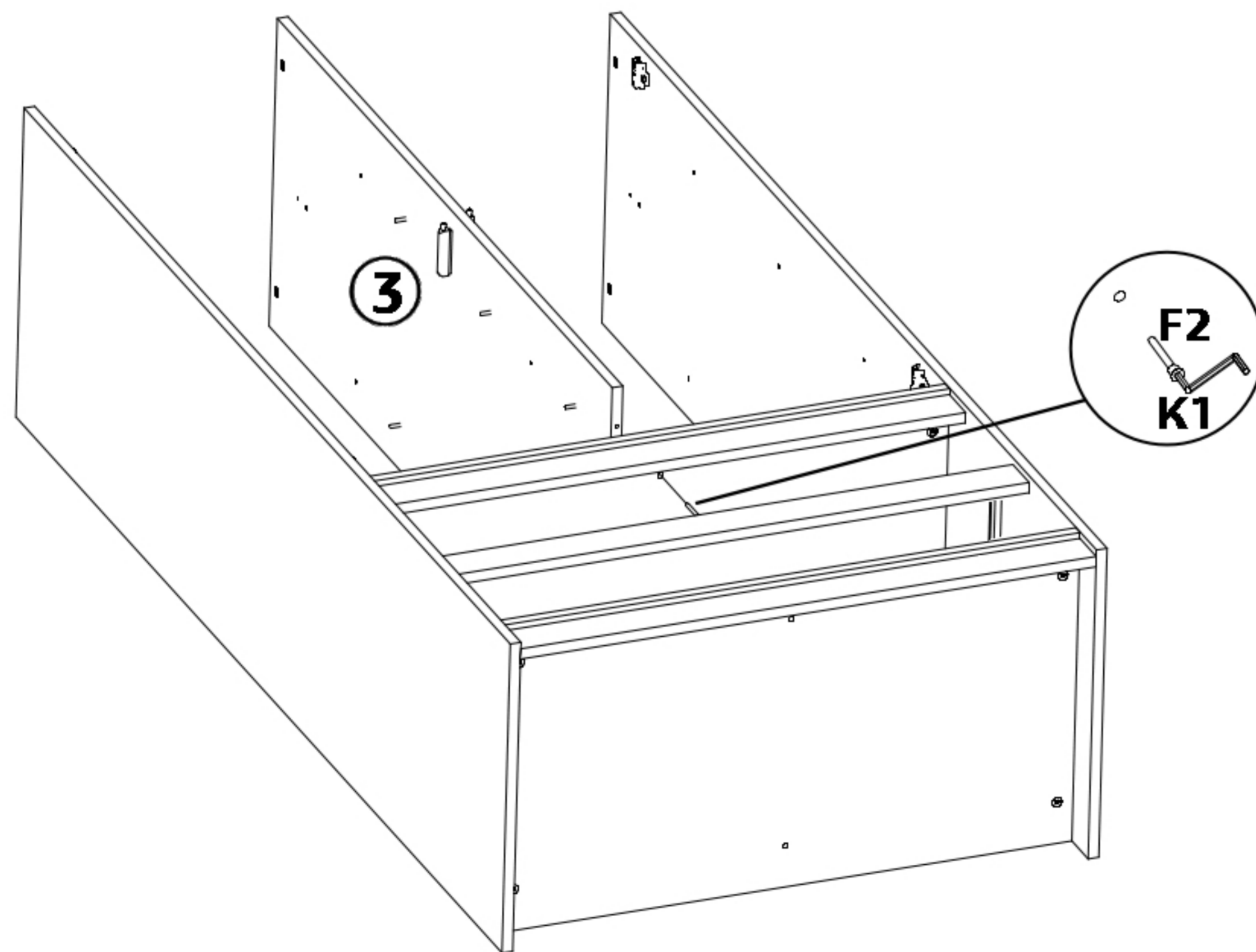
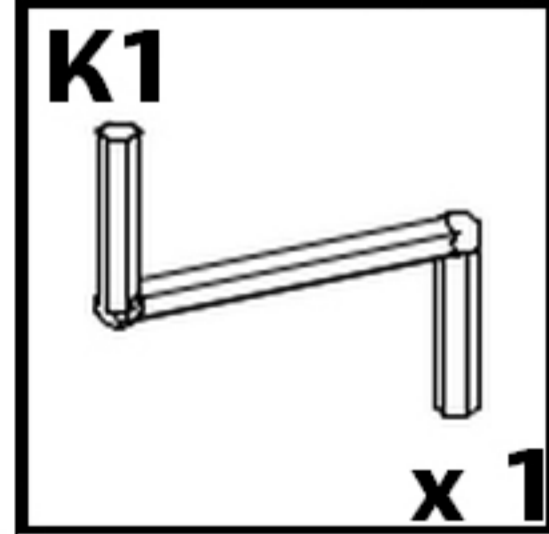
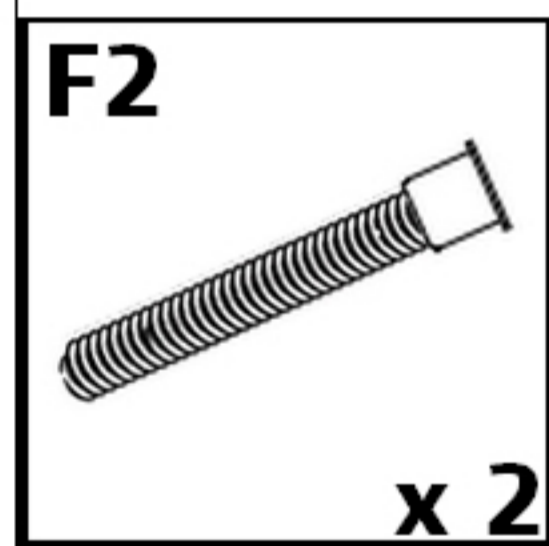
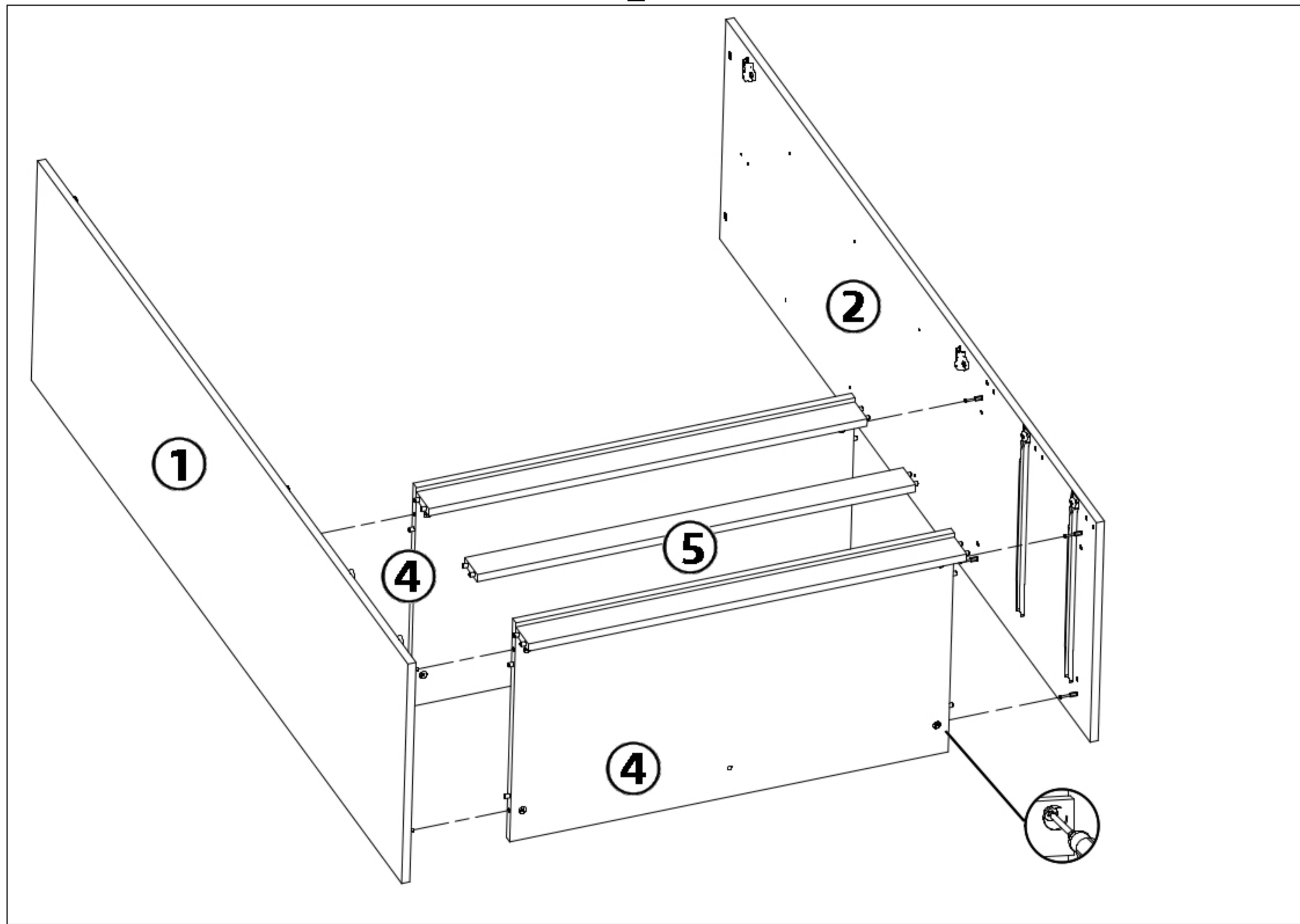


<b>E1</b>  8x30 x 12
---

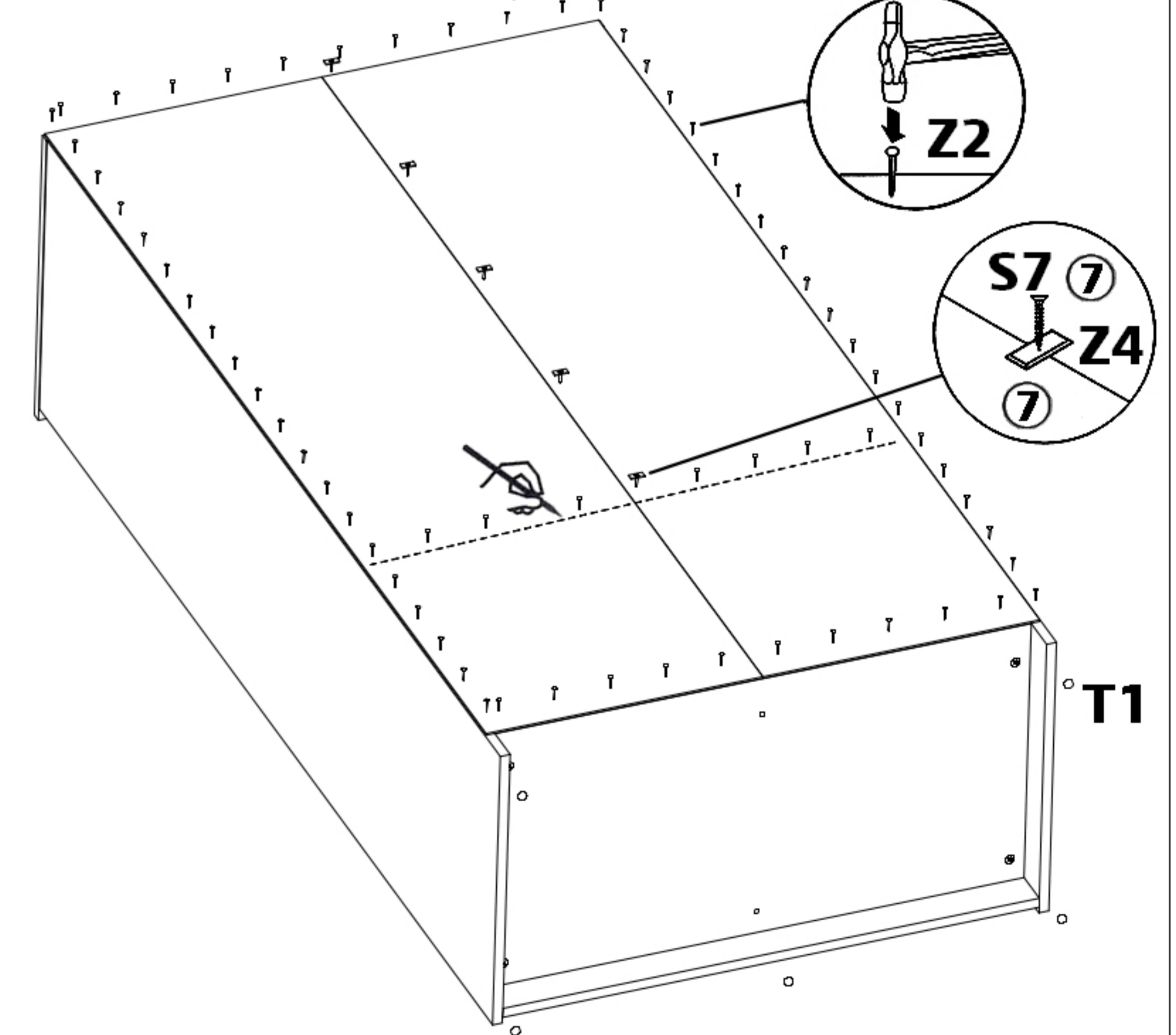
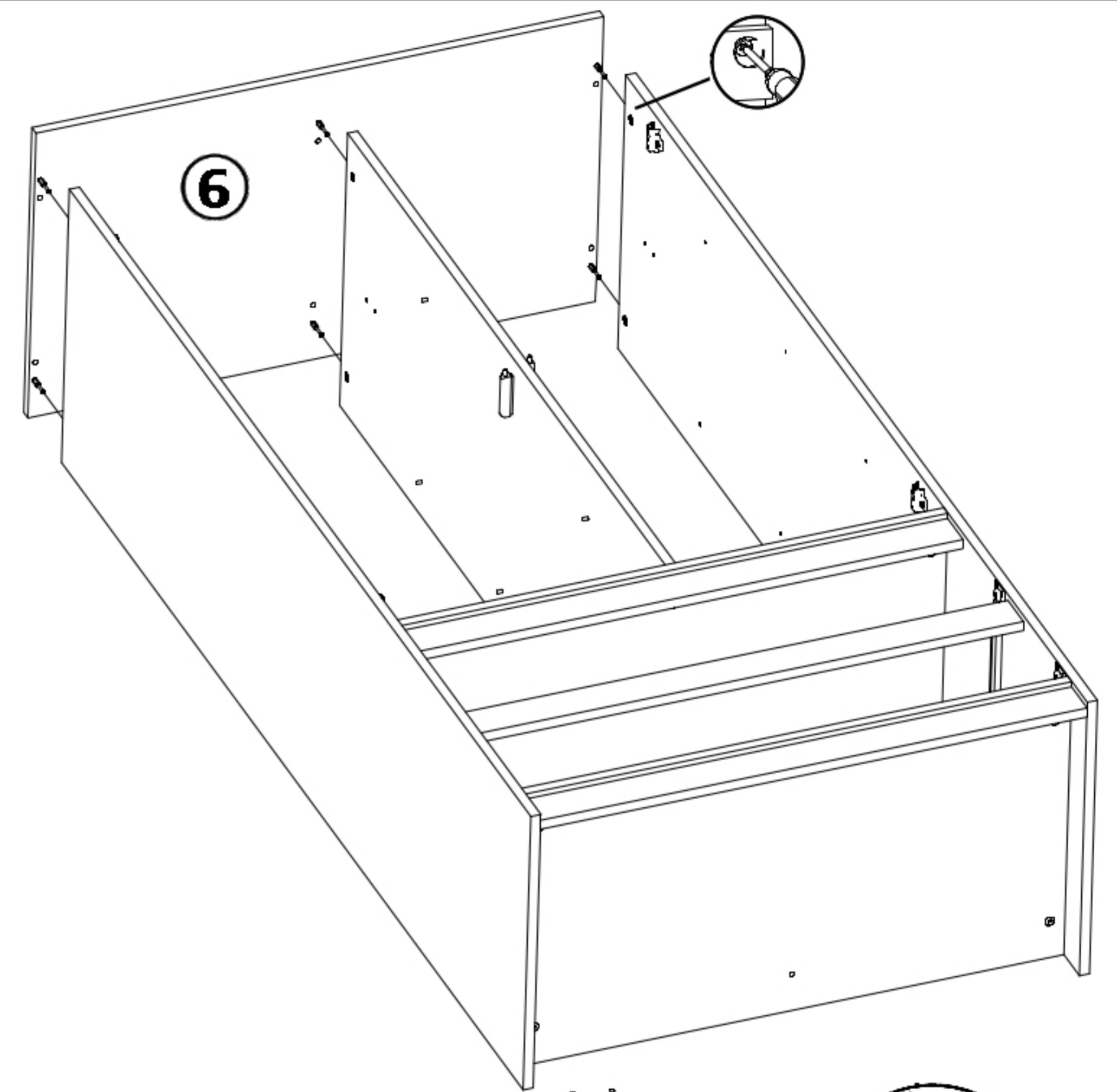


x 3

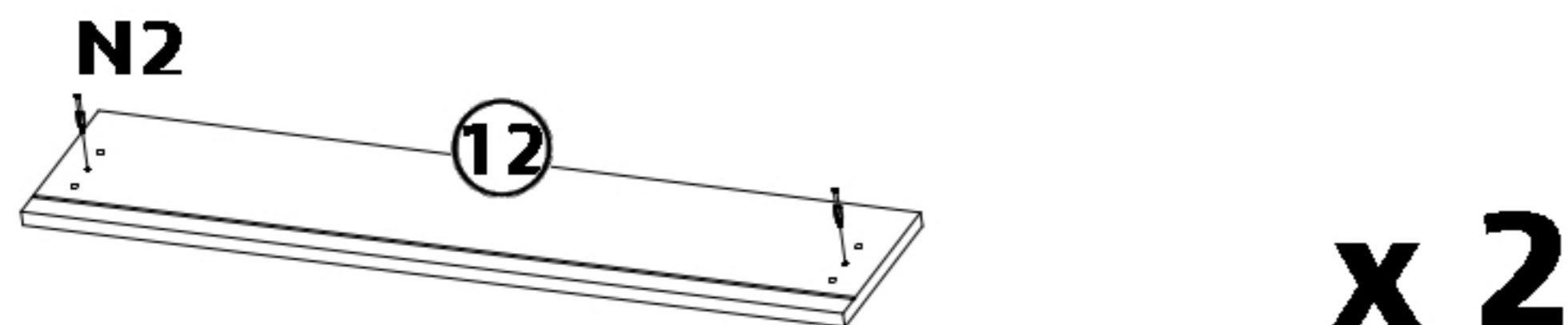
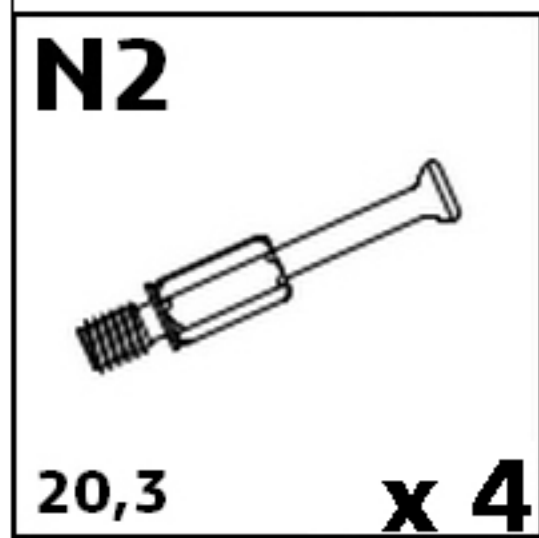
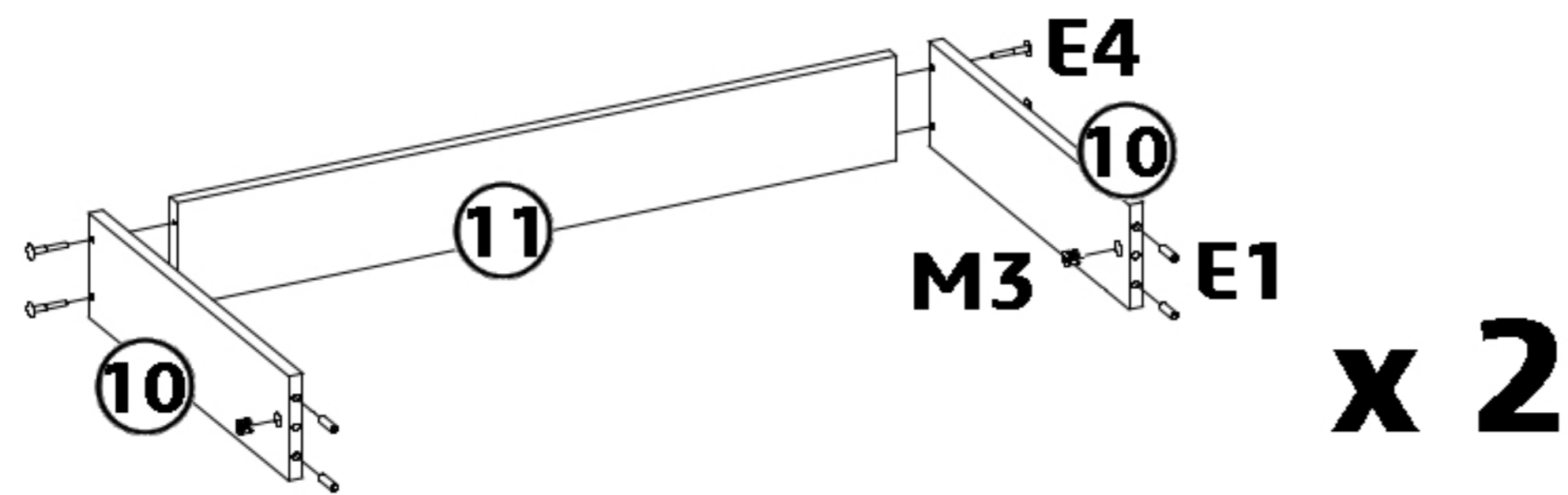
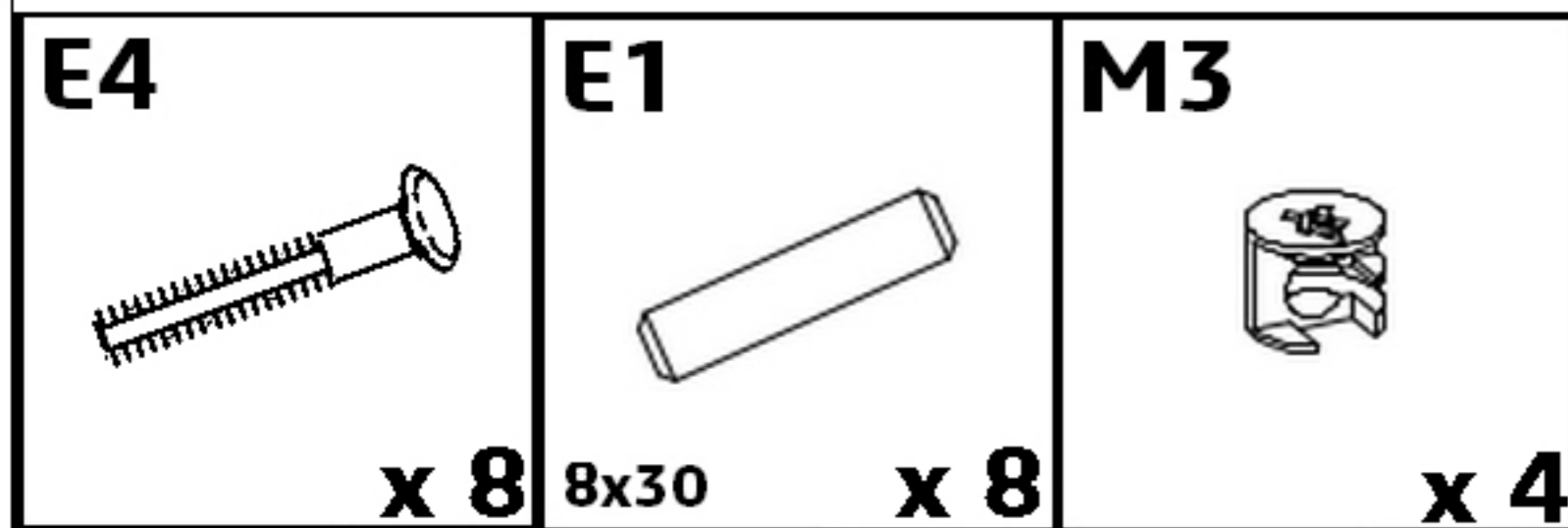
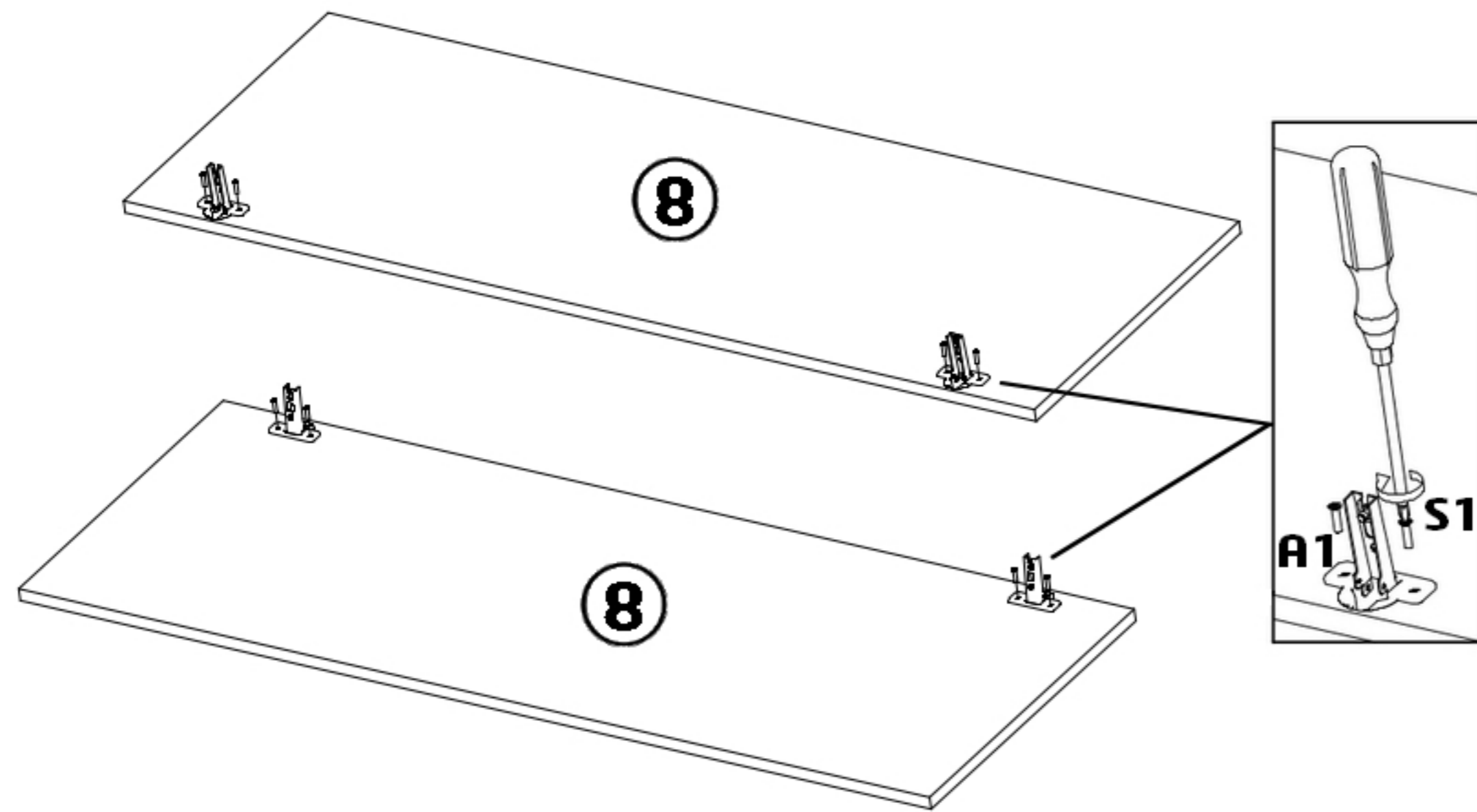
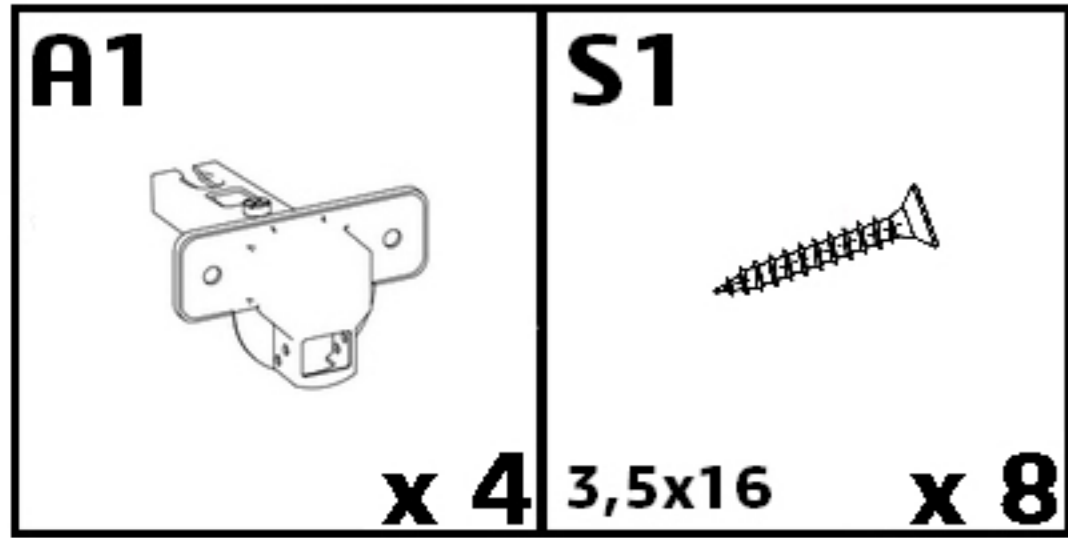
# 4



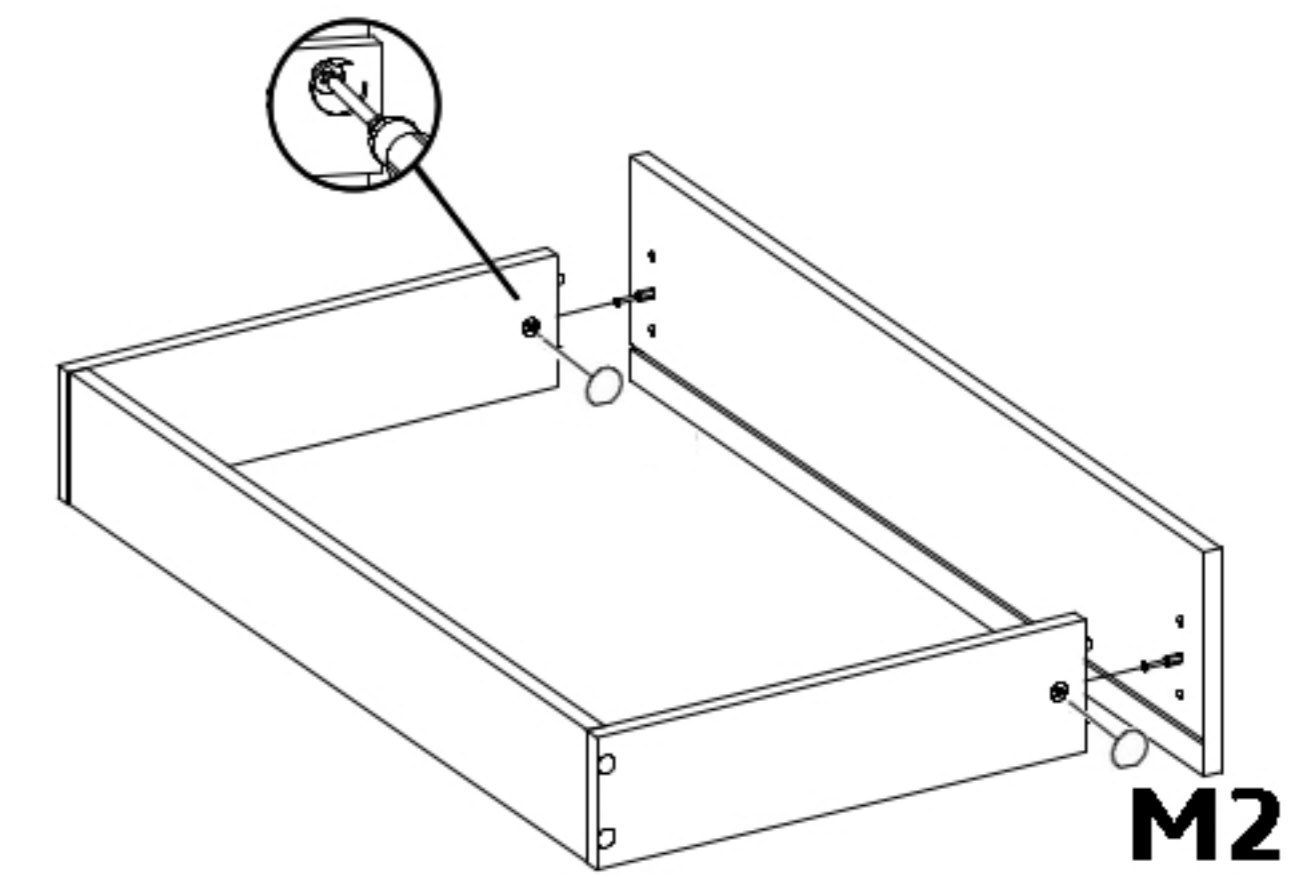
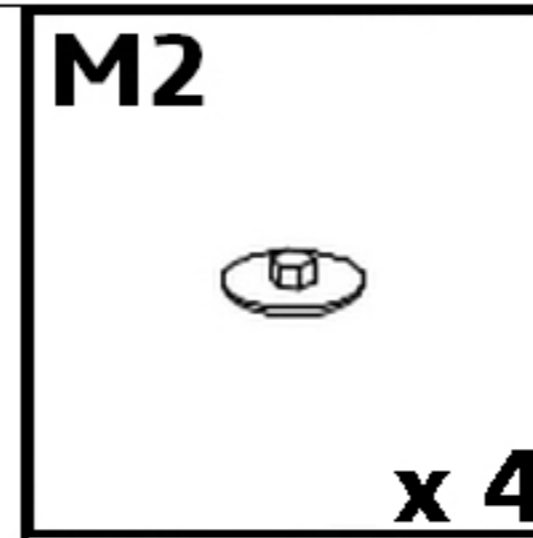
# 5



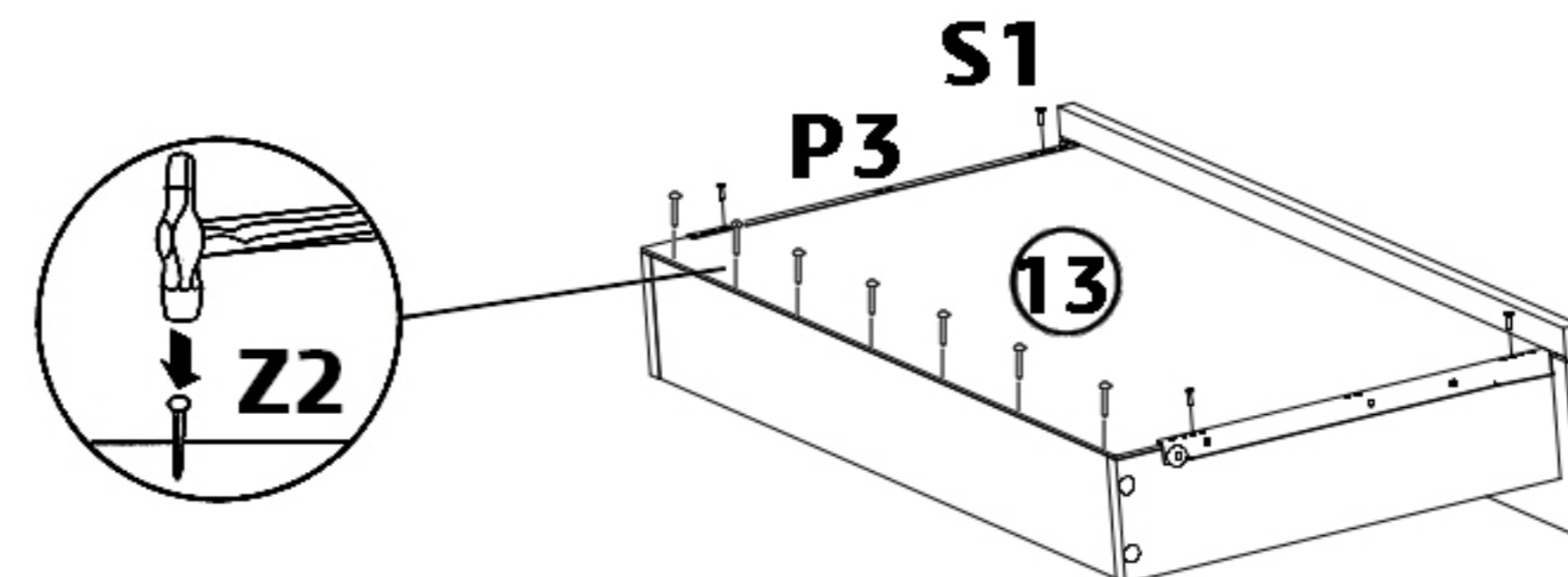
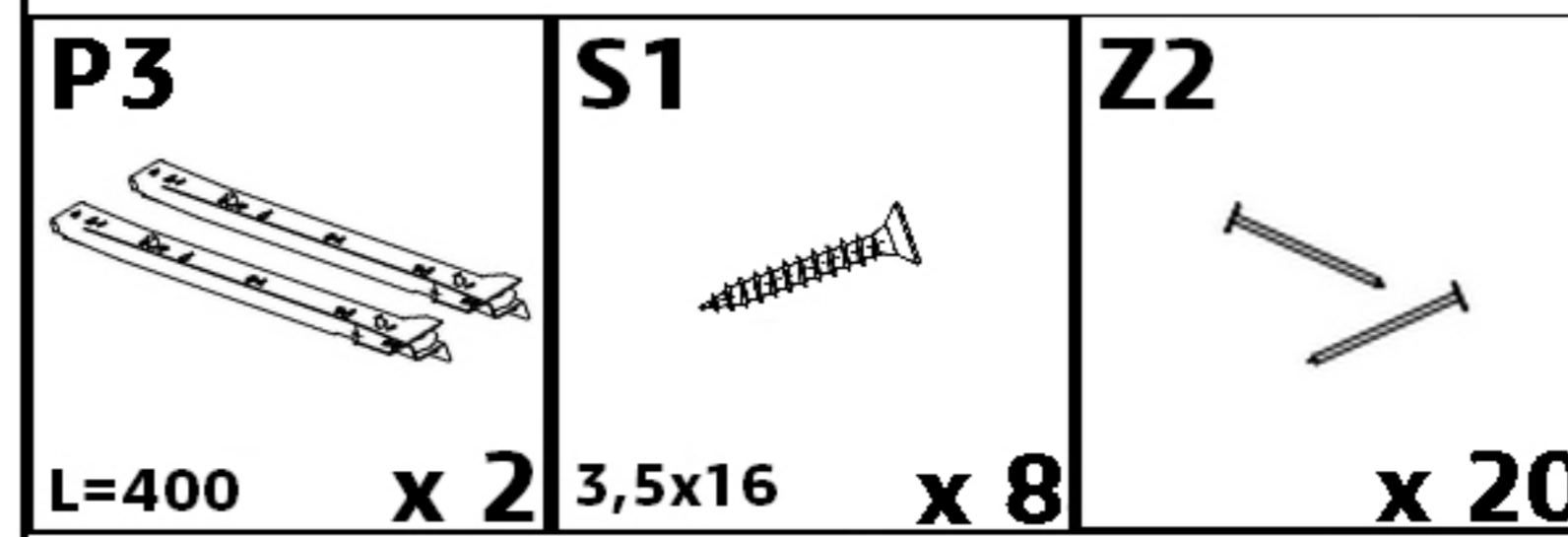
# 6



# 7

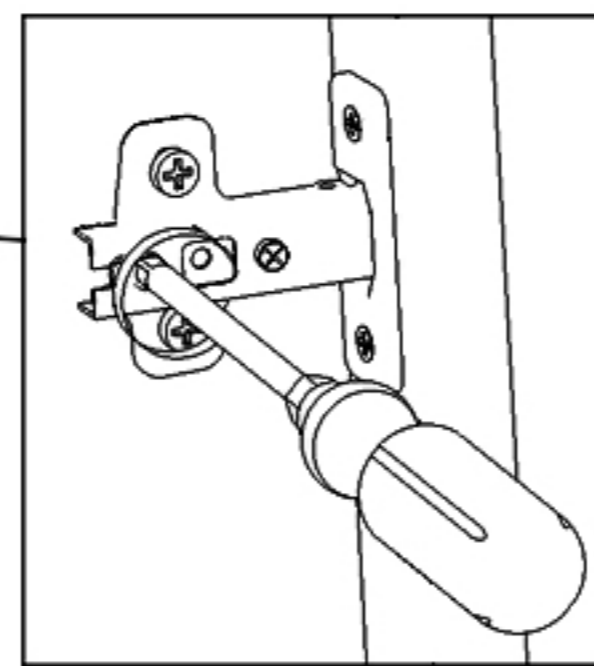
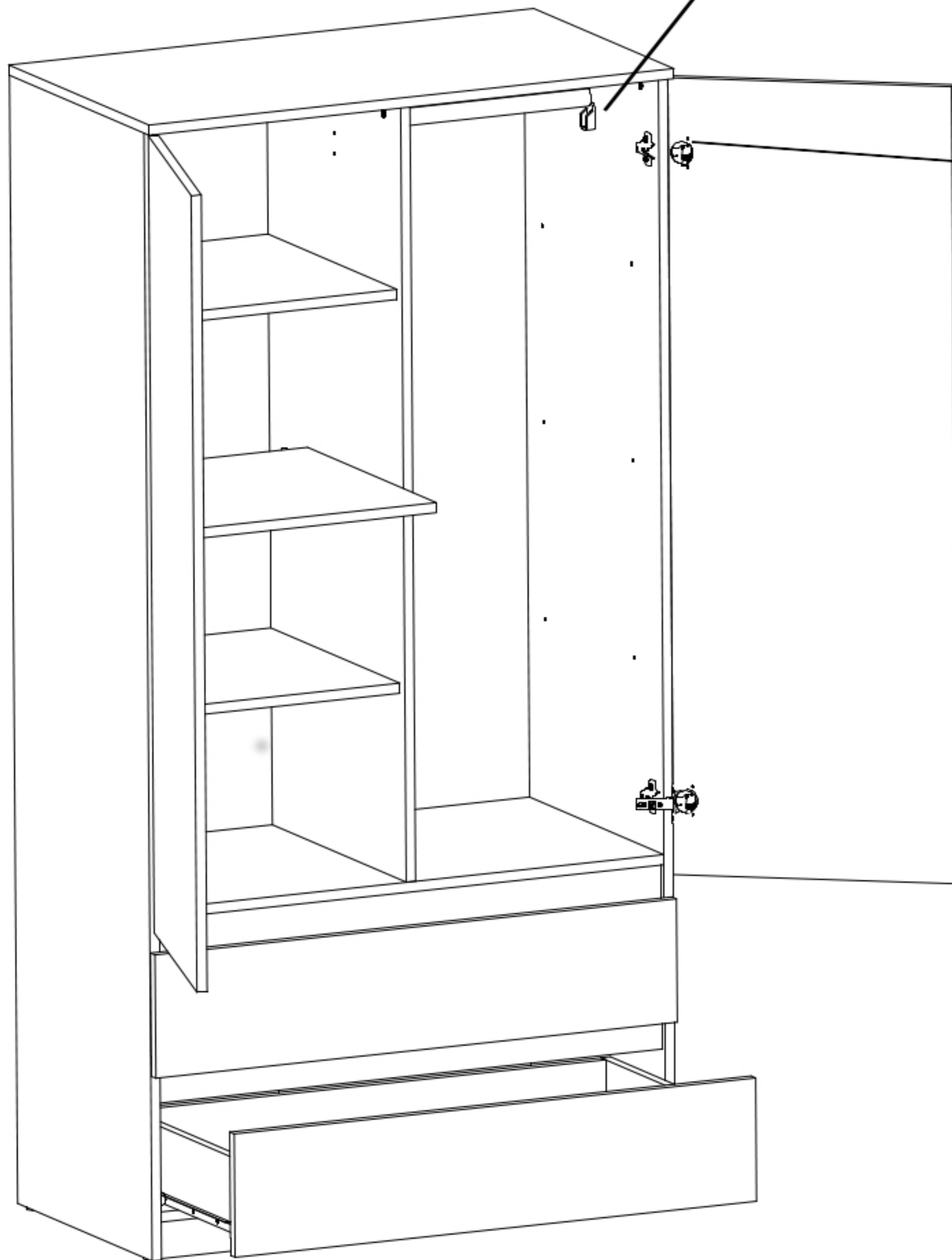
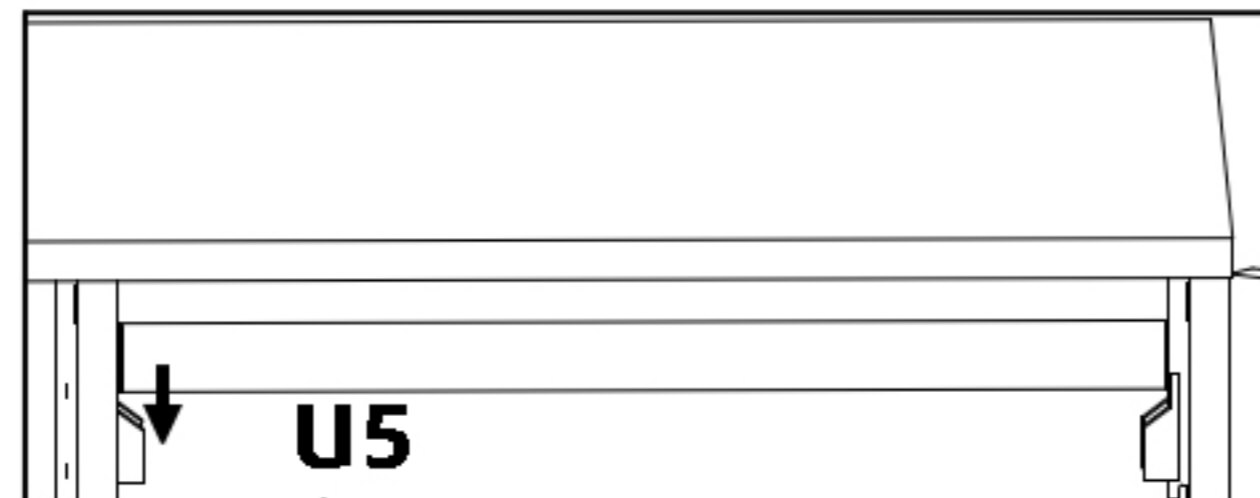
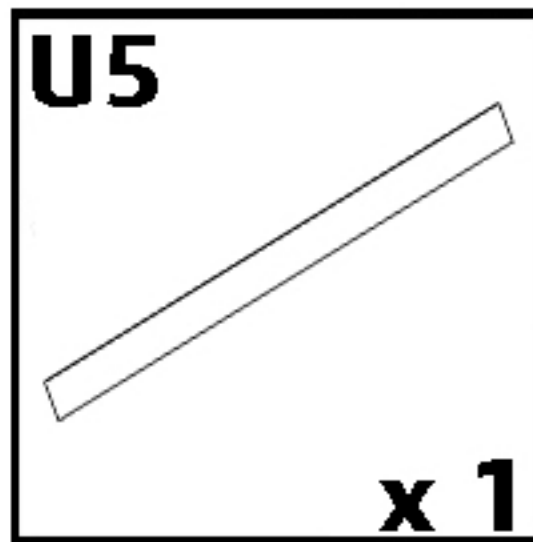


## x 2



## x 2

# 8



# 9

