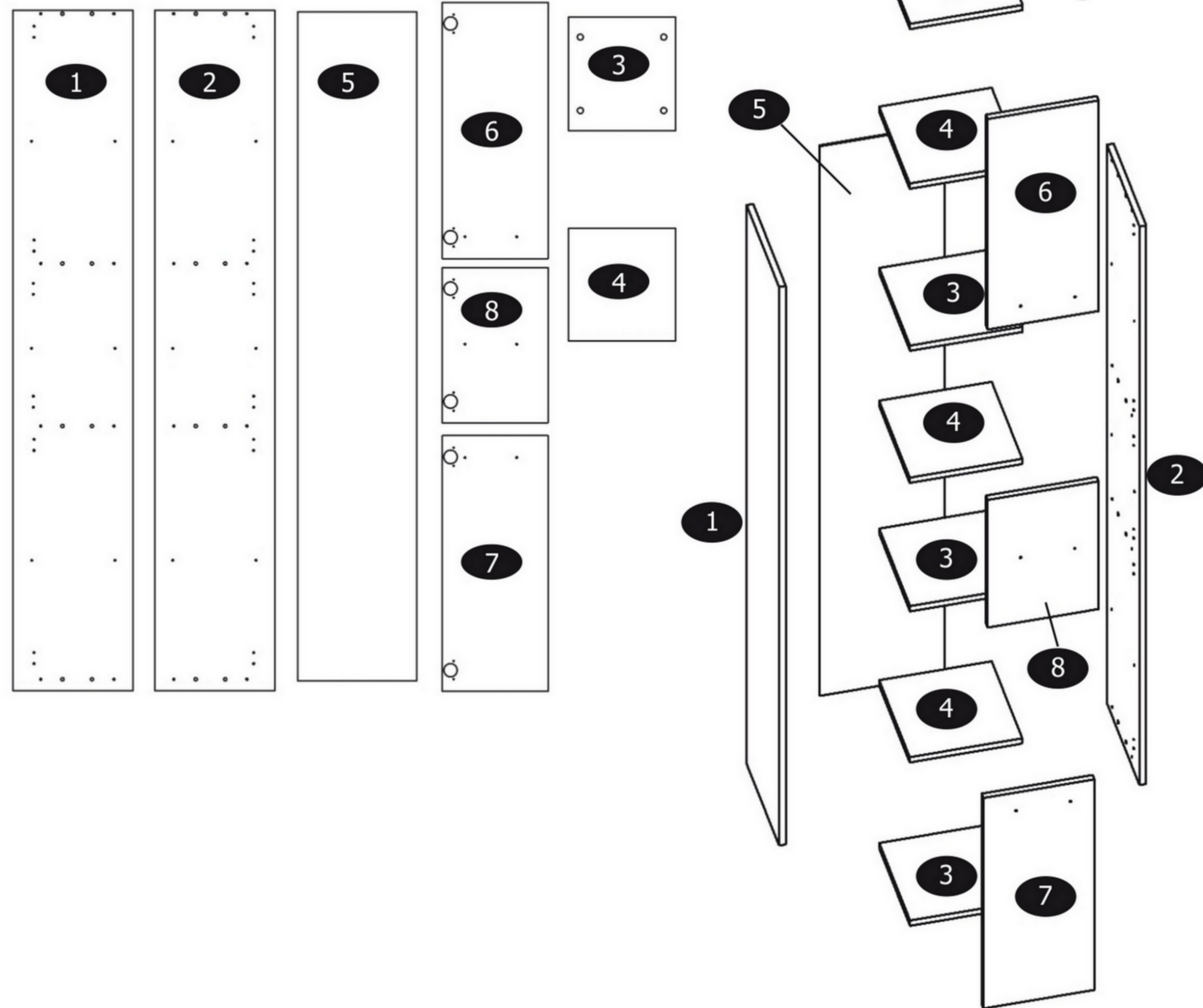
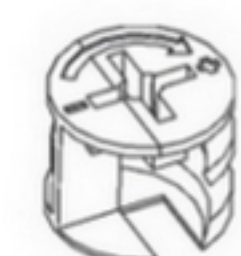
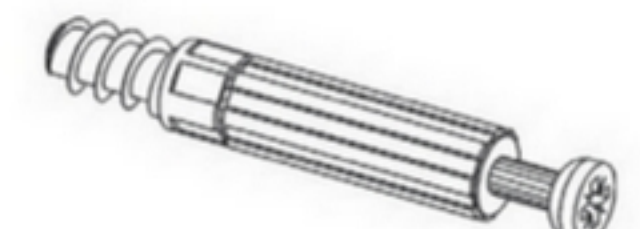





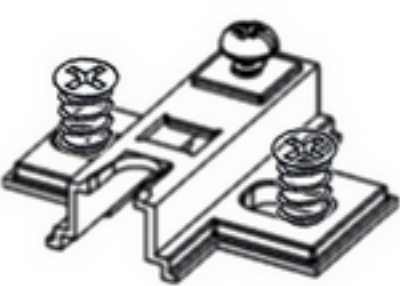
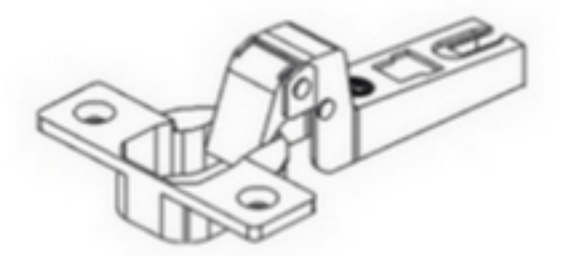

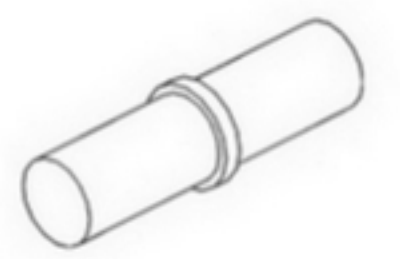


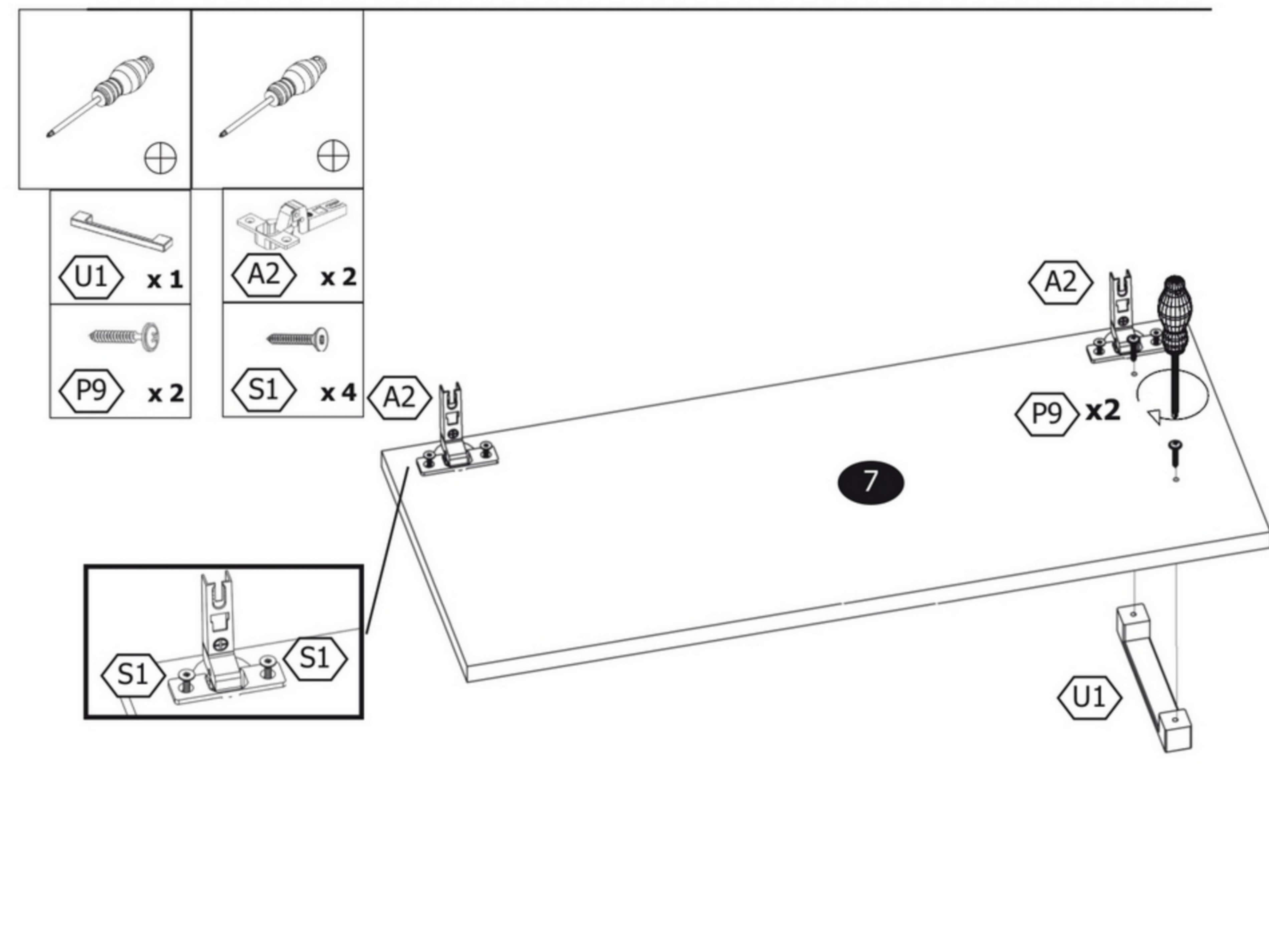
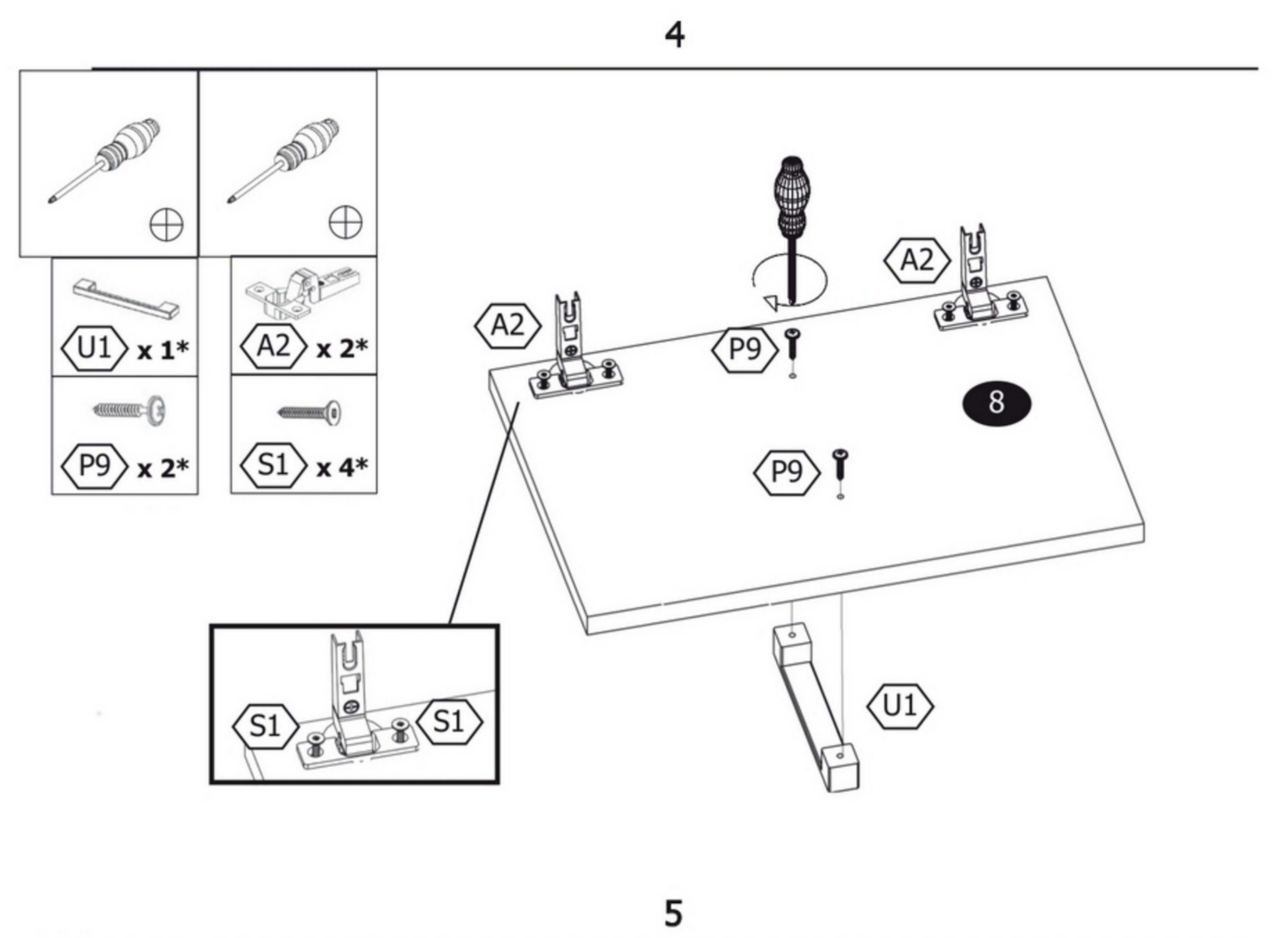
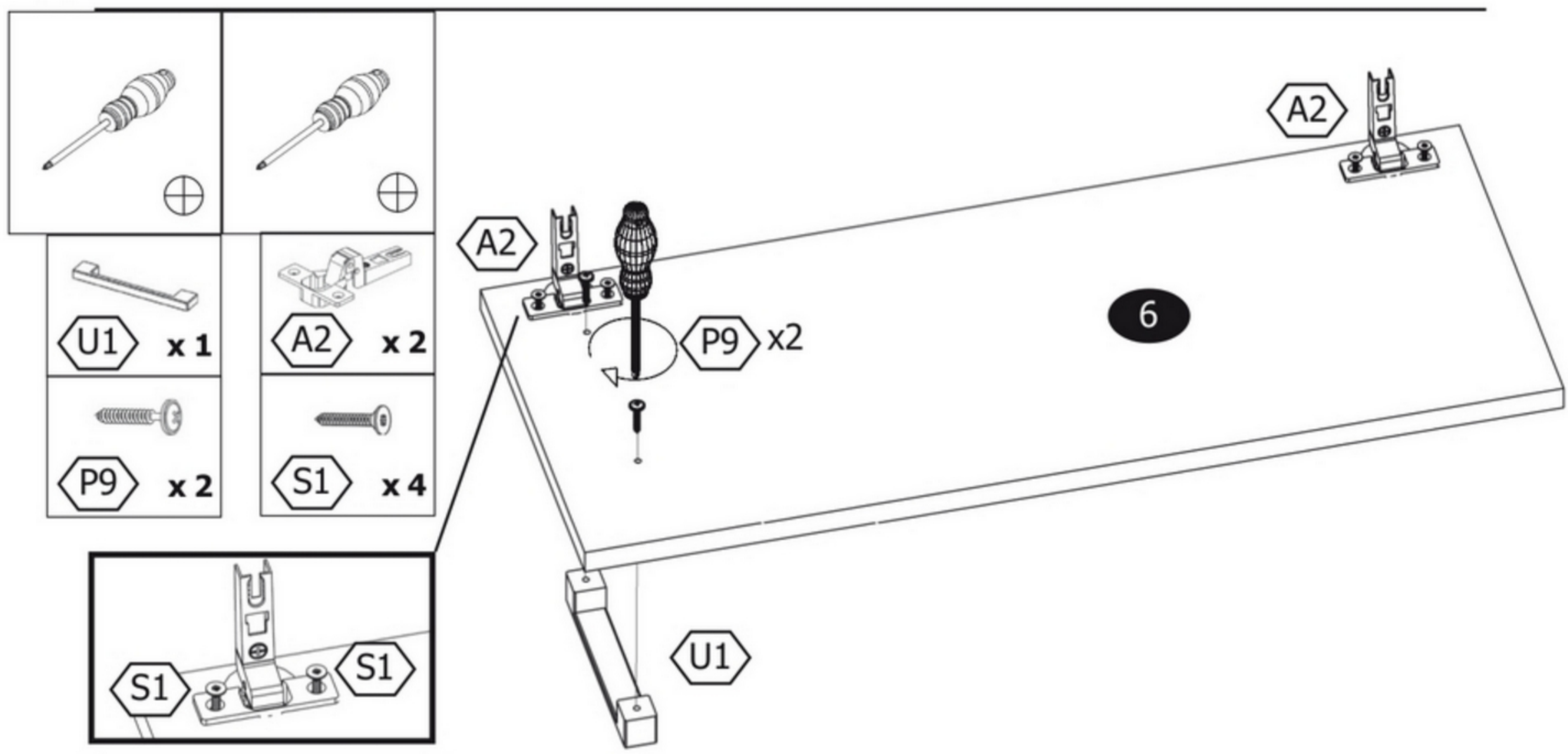
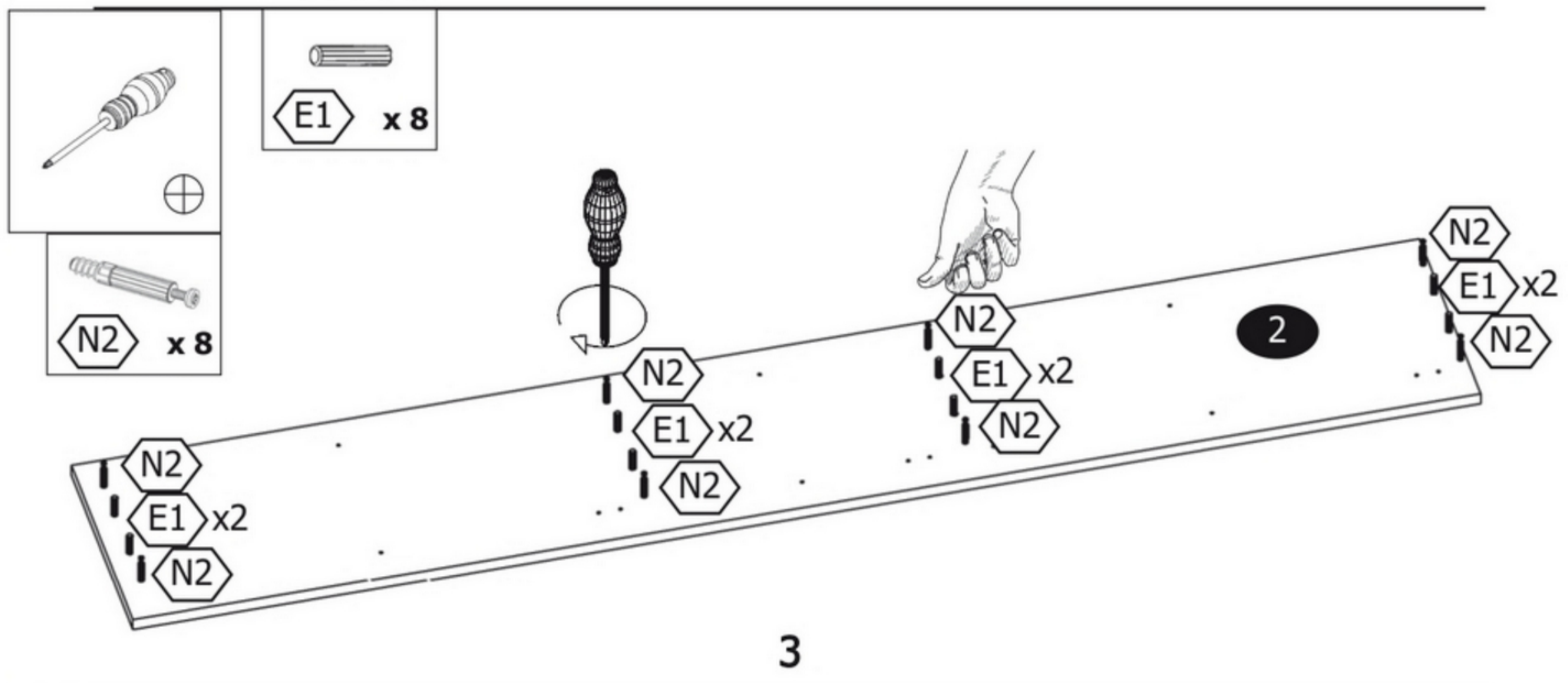
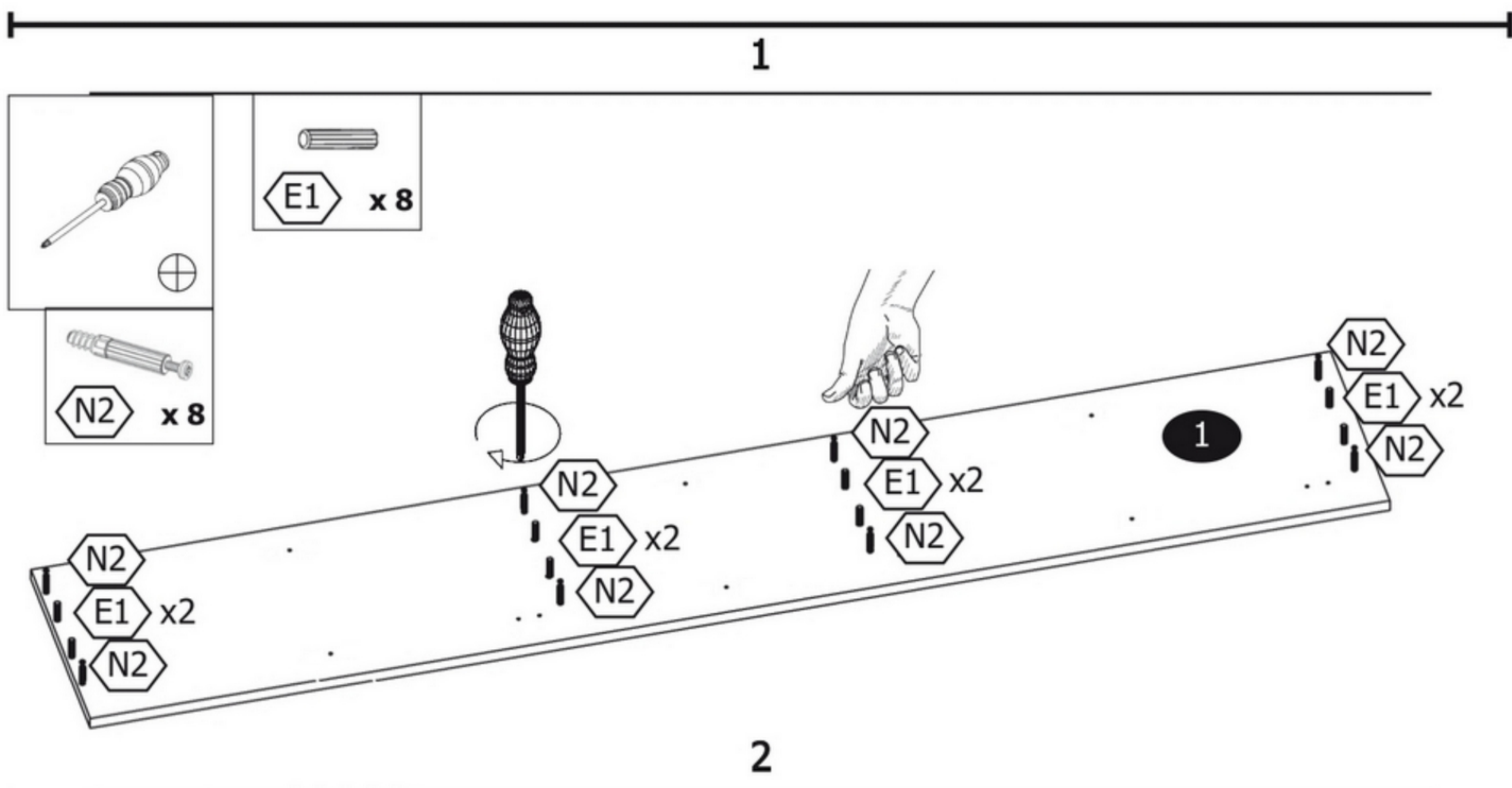
Model "30" **Model "33"** **Model "40"** **Model "43"**



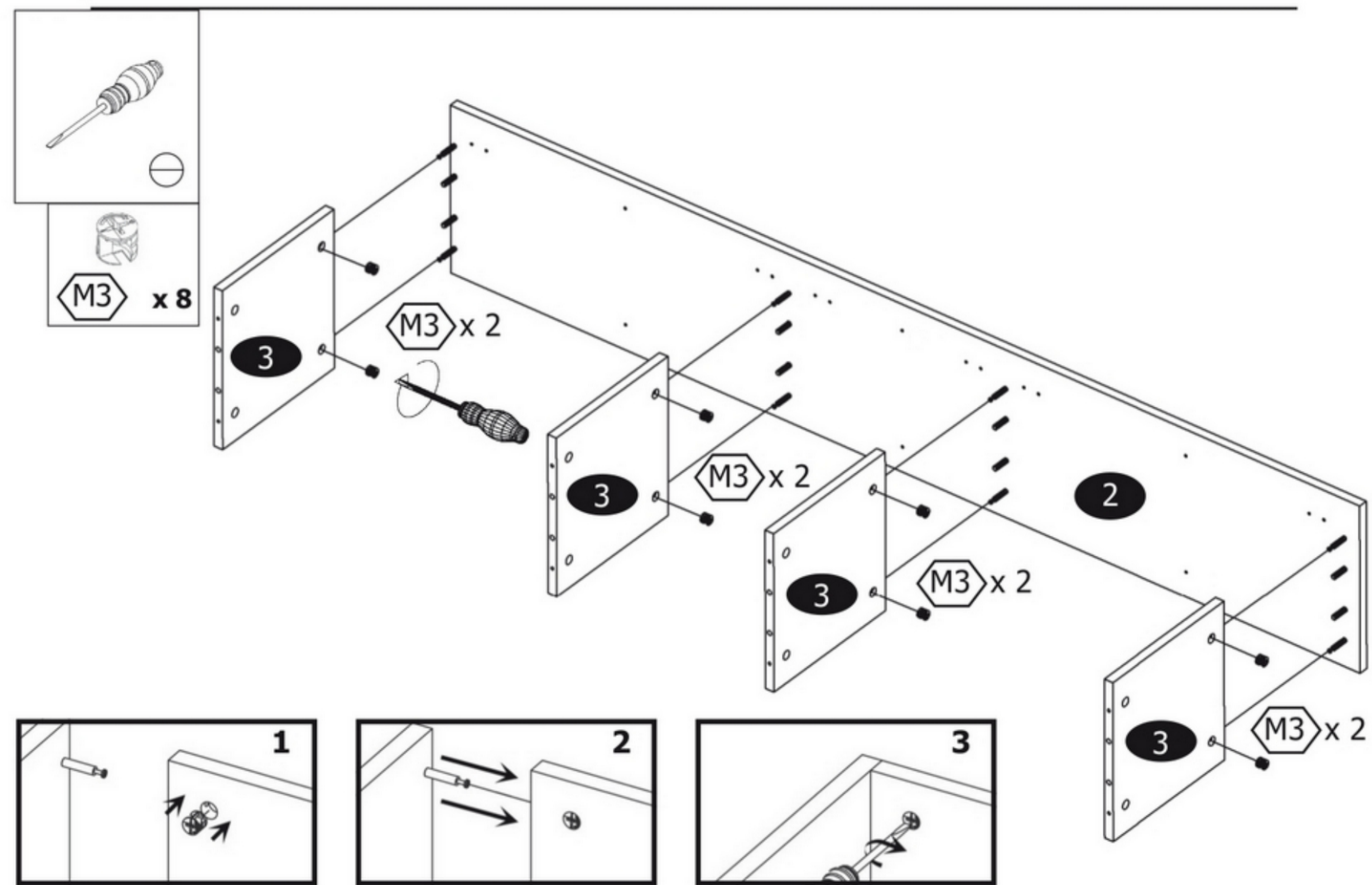
 x 16	 x 16	 x 12* / x 8 $\Phi 3,5 \times 16 \text{mm}$
 x 6* / x 4	 x 16	 x 4
 x 30	 x 6* / x 4	 x 6* / x 4
 x 3* / x 2	 x 12	

□ Model "30", Model "40"
 * Model "33", Model "43"

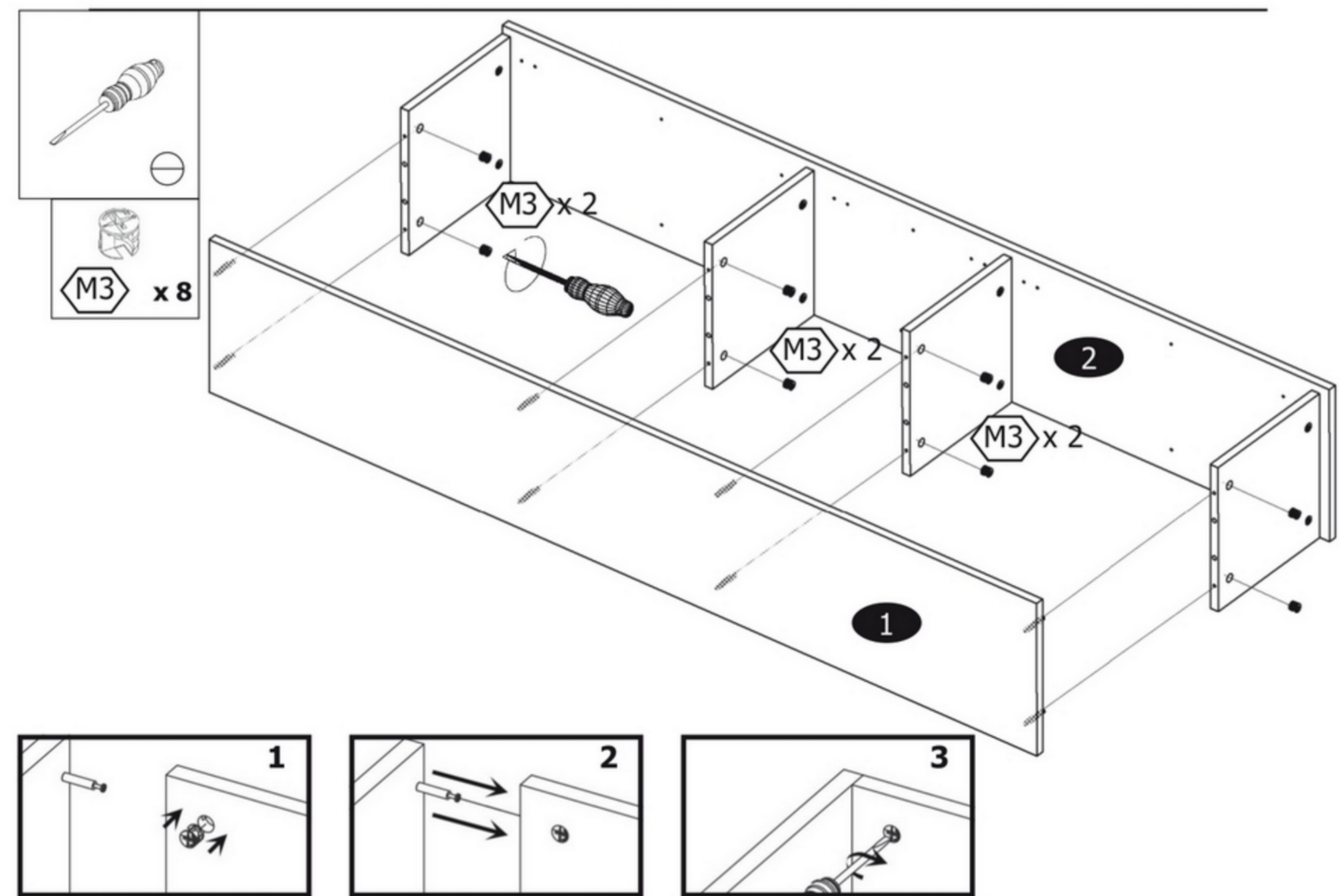
	Model "30"	Model "33"	Model "40"	Model "43"
1	x1	x1	x1	x1
2	x1	x1	x1	x1
3	x4	x4	x4	x4
4	x3	x3	x3	x3
5	x1	x1	x1	x1
6	x1	x1	x1	x1
7	x1	x1	x1	x1
8	x0	x1	x0	x1



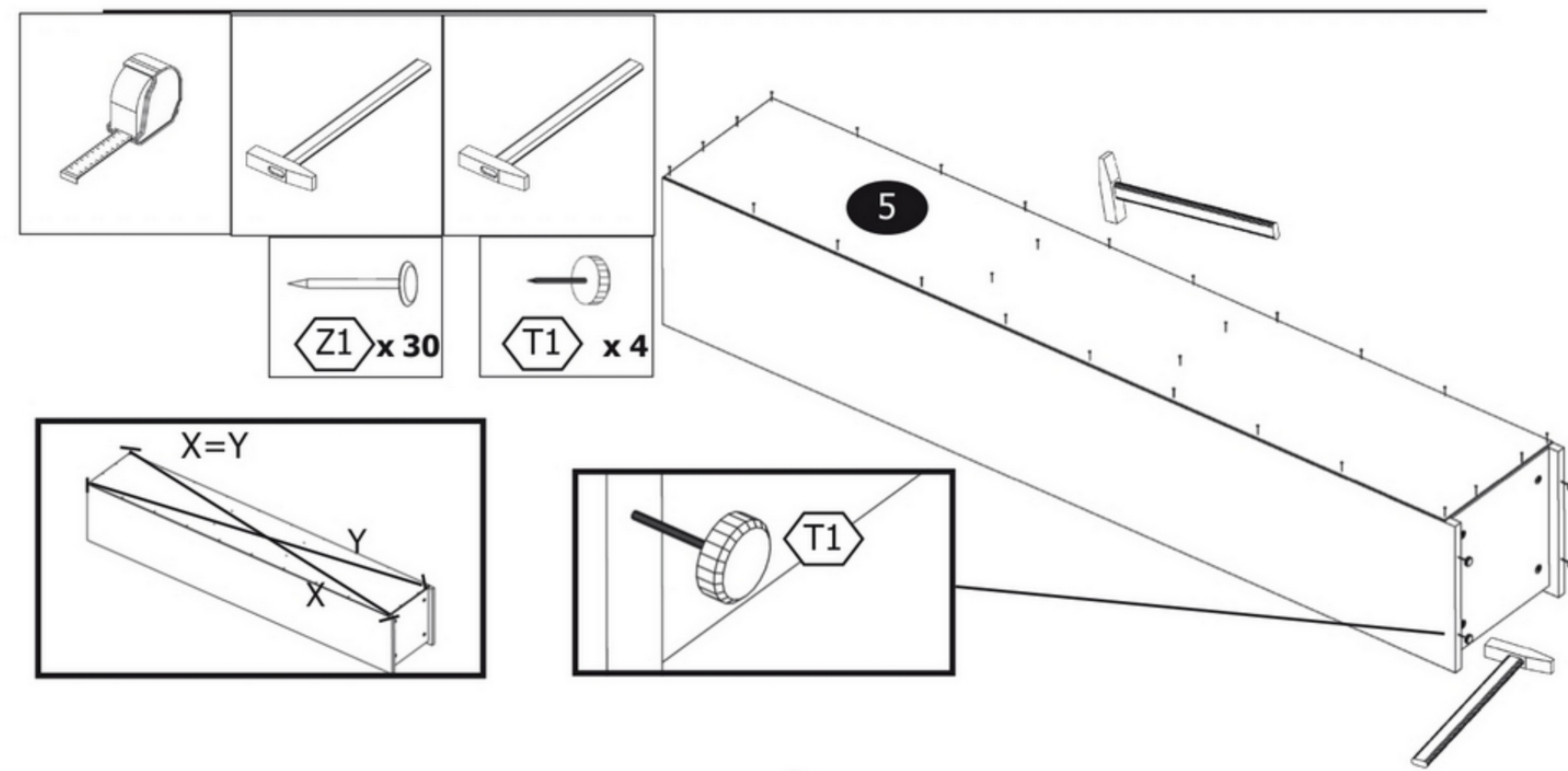
6



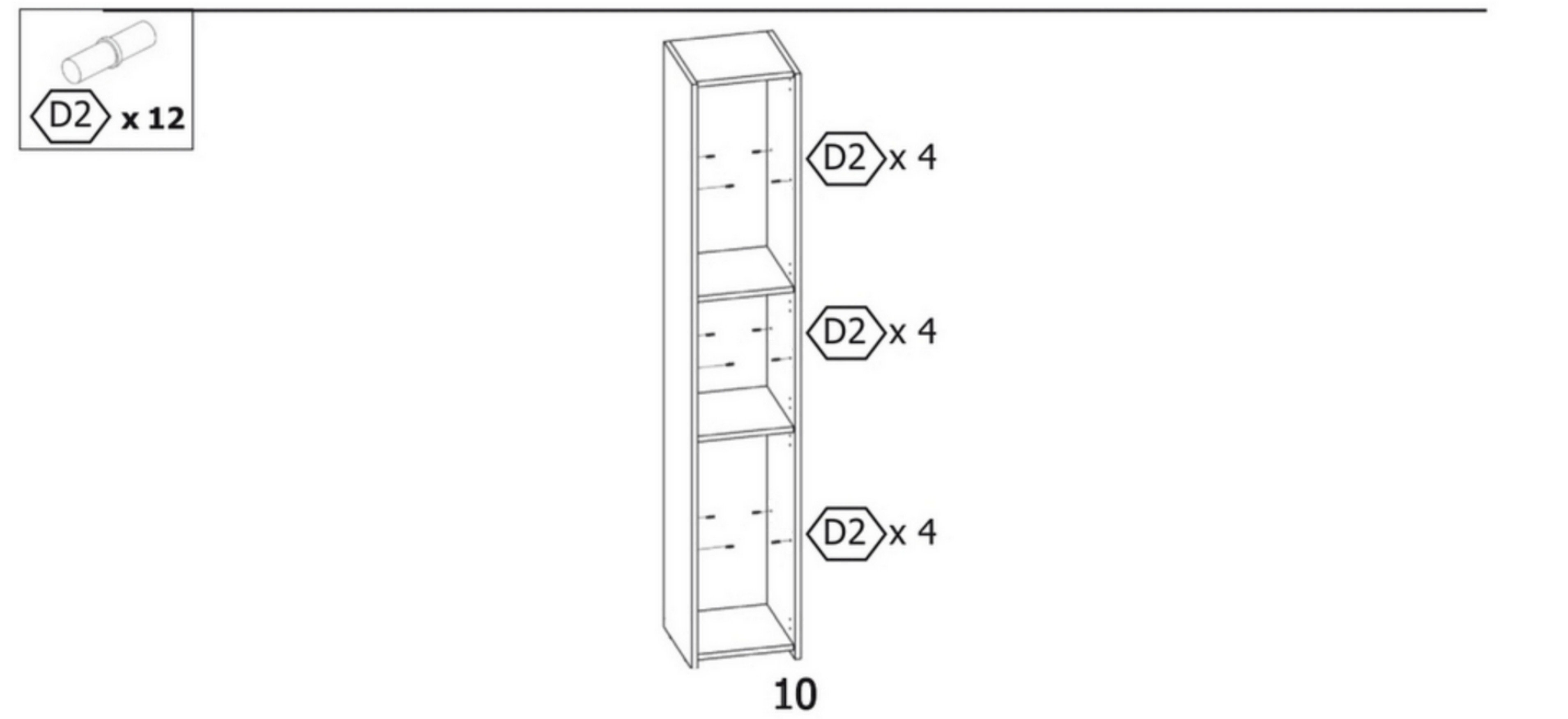
7



8



9



10

