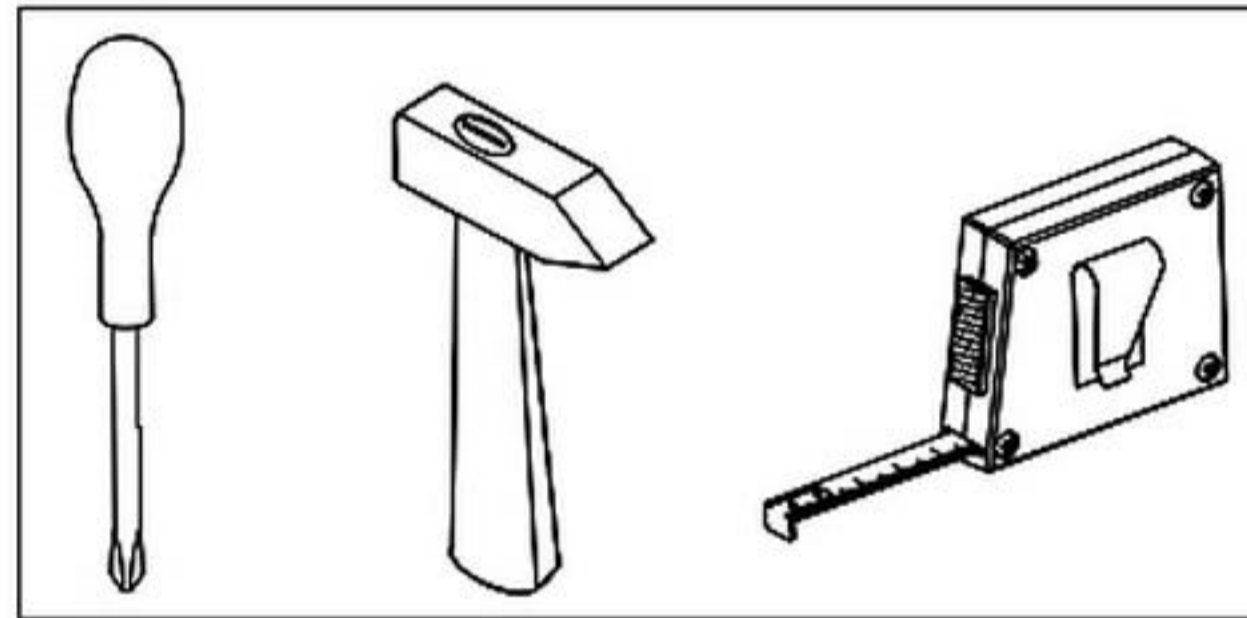
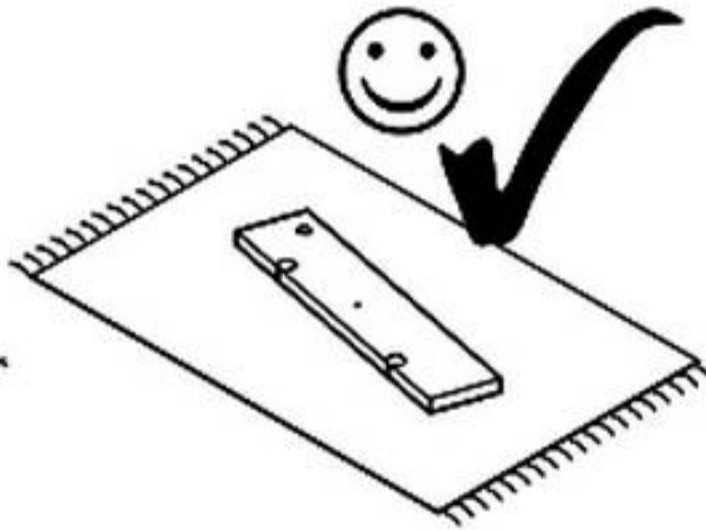
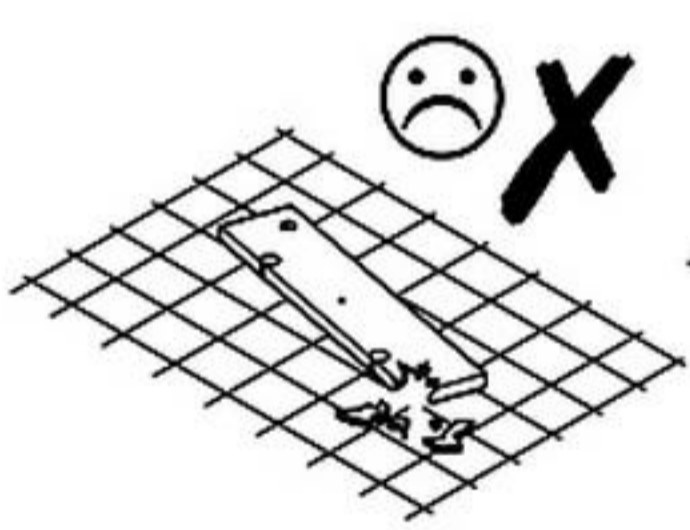
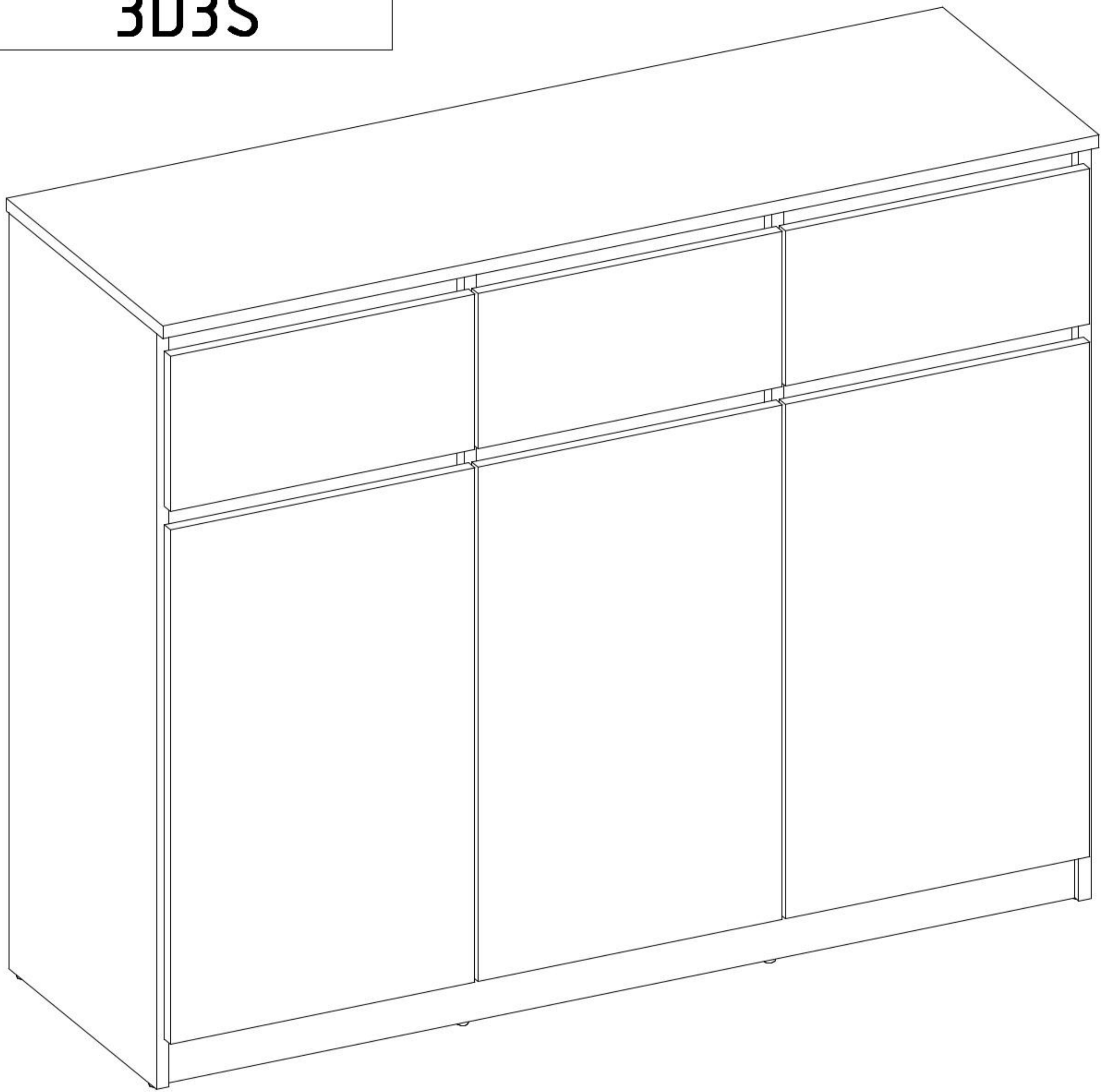


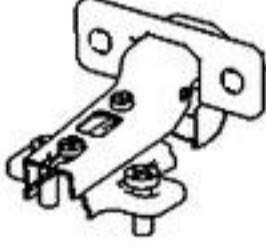


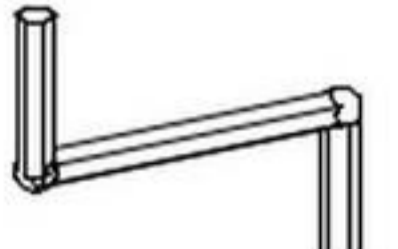


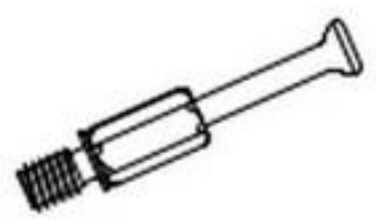

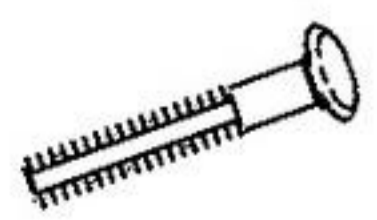









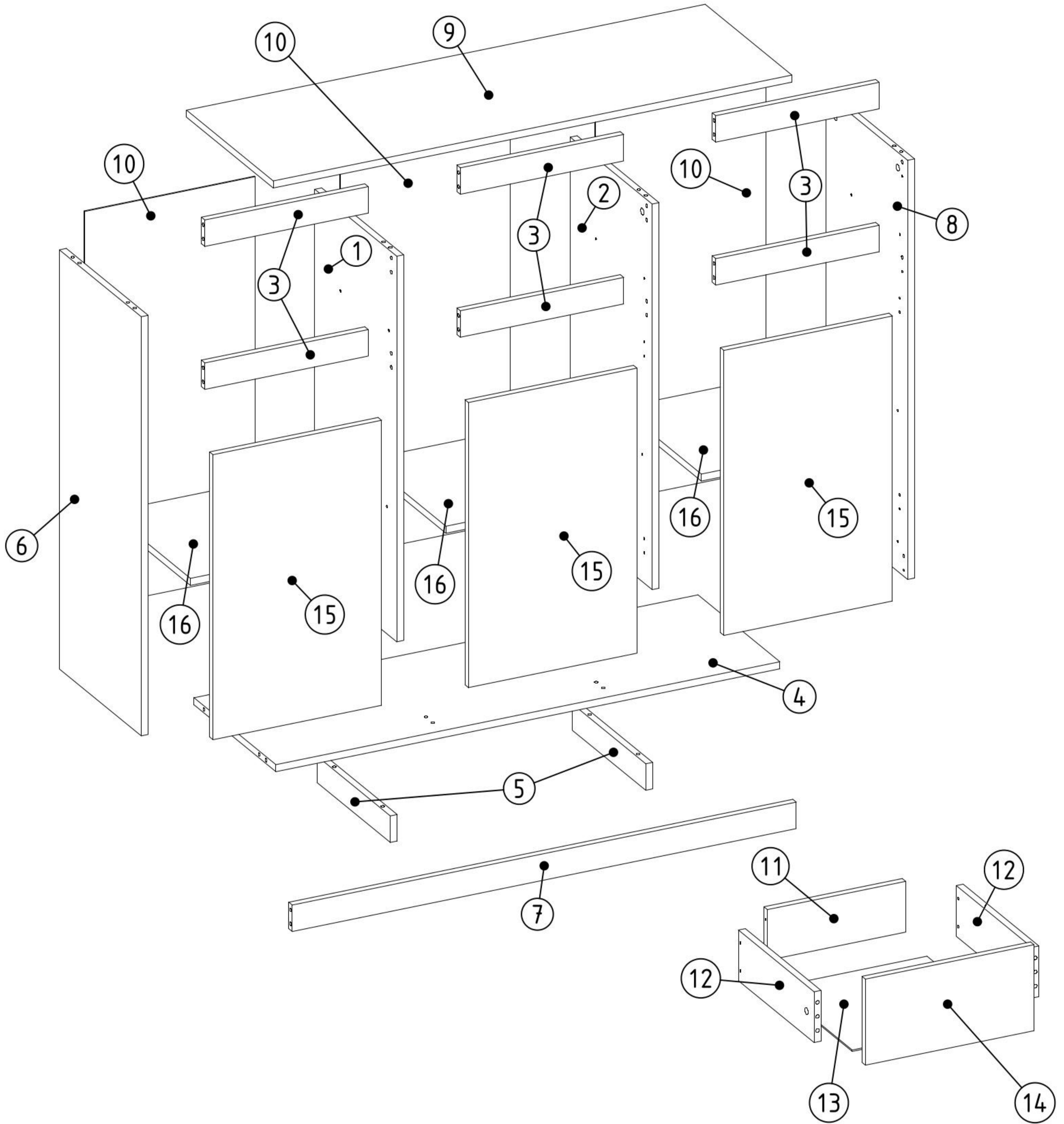


10.01.2020

# 3D3S



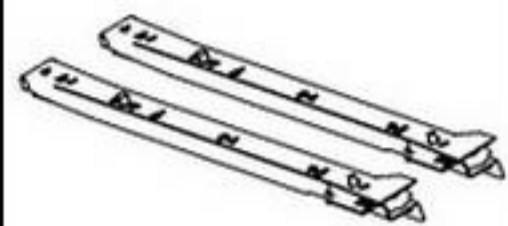

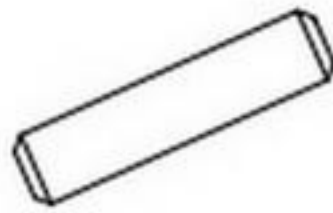



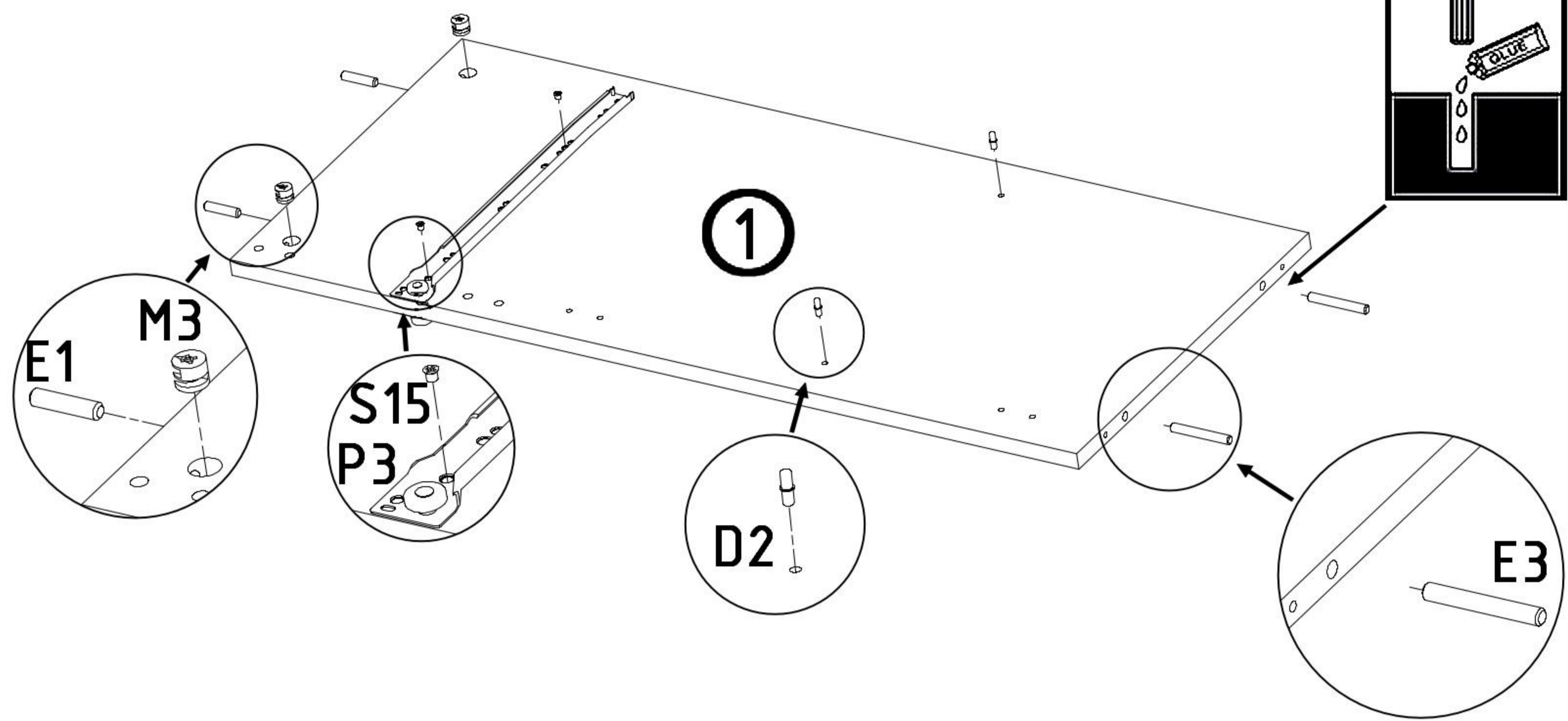
<b>S5</b>  2,5x20 x 10	<b>F2</b>  x 4	<b>A0</b>  x 6	<b>N3</b>  L=76 x 4		
 x 1	<b>K1</b>  x 1	<b>Z4</b>  x 10	 x 1		
<b>N2</b>  L=30,3 x 24	<b>M3</b>  x 32	<b>E4</b>  x 12	<b>S1</b>  3,5x16 x 24	<b>E1</b>  8x35 x 30	<b>D2</b>  x 12
<b>T1</b>  x 8	<b>Z2</b>  x 80	<b>P3</b>  L=350 x 3	<b>S15</b>  6x8 x 12	<b>M2</b>  x 6	<b>E3</b>  8x70 x 8






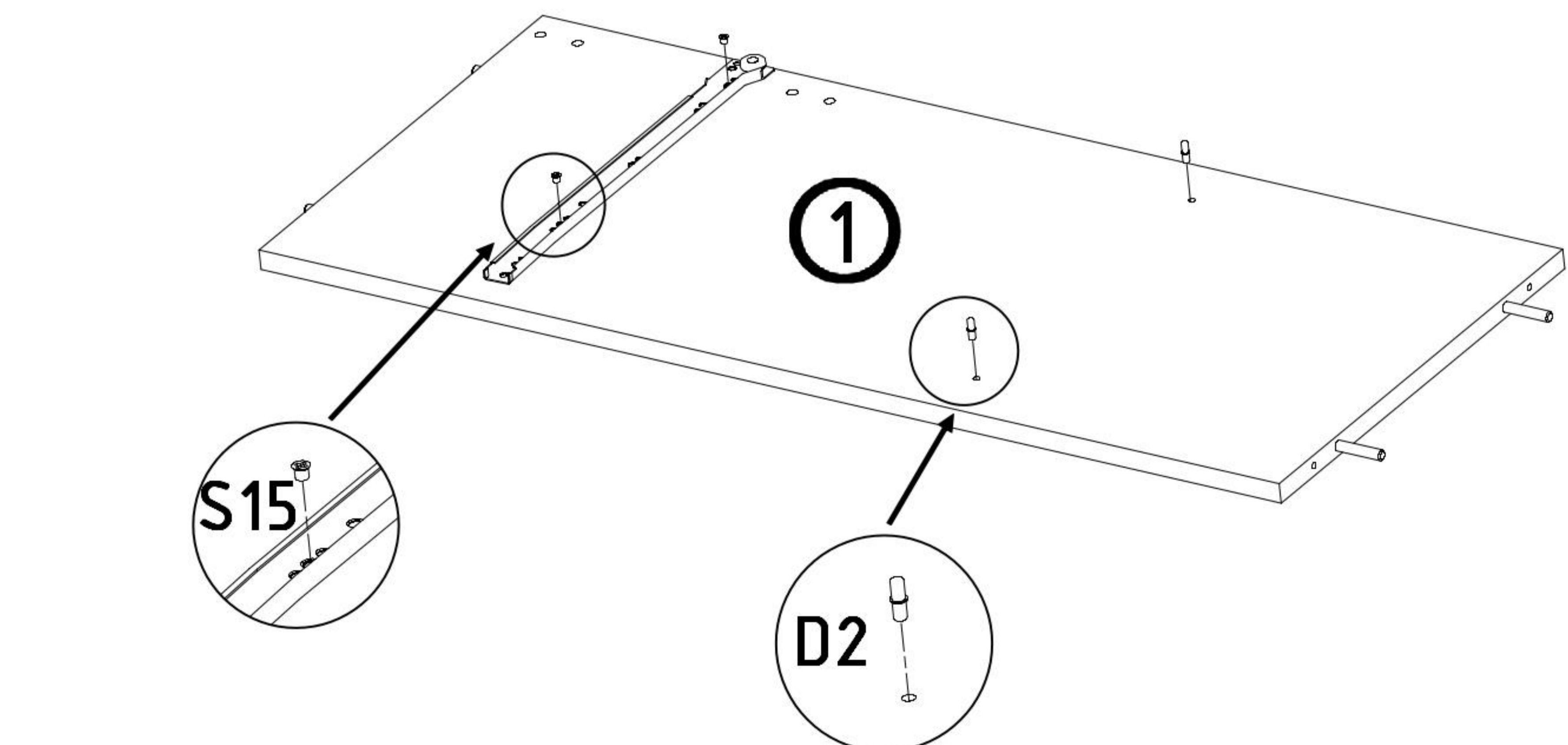
<b>1</b>	x	<b>1</b>
<b>2</b>	x	<b>1</b>
<b>3</b>	x	<b>6</b>
<b>4</b>	x	<b>1</b>
<b>5</b>	x	<b>2</b>
<b>6</b>	x	<b>1</b>
<b>7</b>	x	<b>1</b>
<b>8</b>	x	<b>1</b>

<b>9</b>	x	<b>1</b>
<b>10</b>	x	<b>3</b>
<b>11</b>	x	<b>3</b>
<b>12</b>	x	<b>6</b>
<b>13</b>	x	<b>3</b>
<b>14</b>	x	<b>3</b>
<b>15</b>	x	<b>3</b>
<b>16</b>	x	<b>3</b>

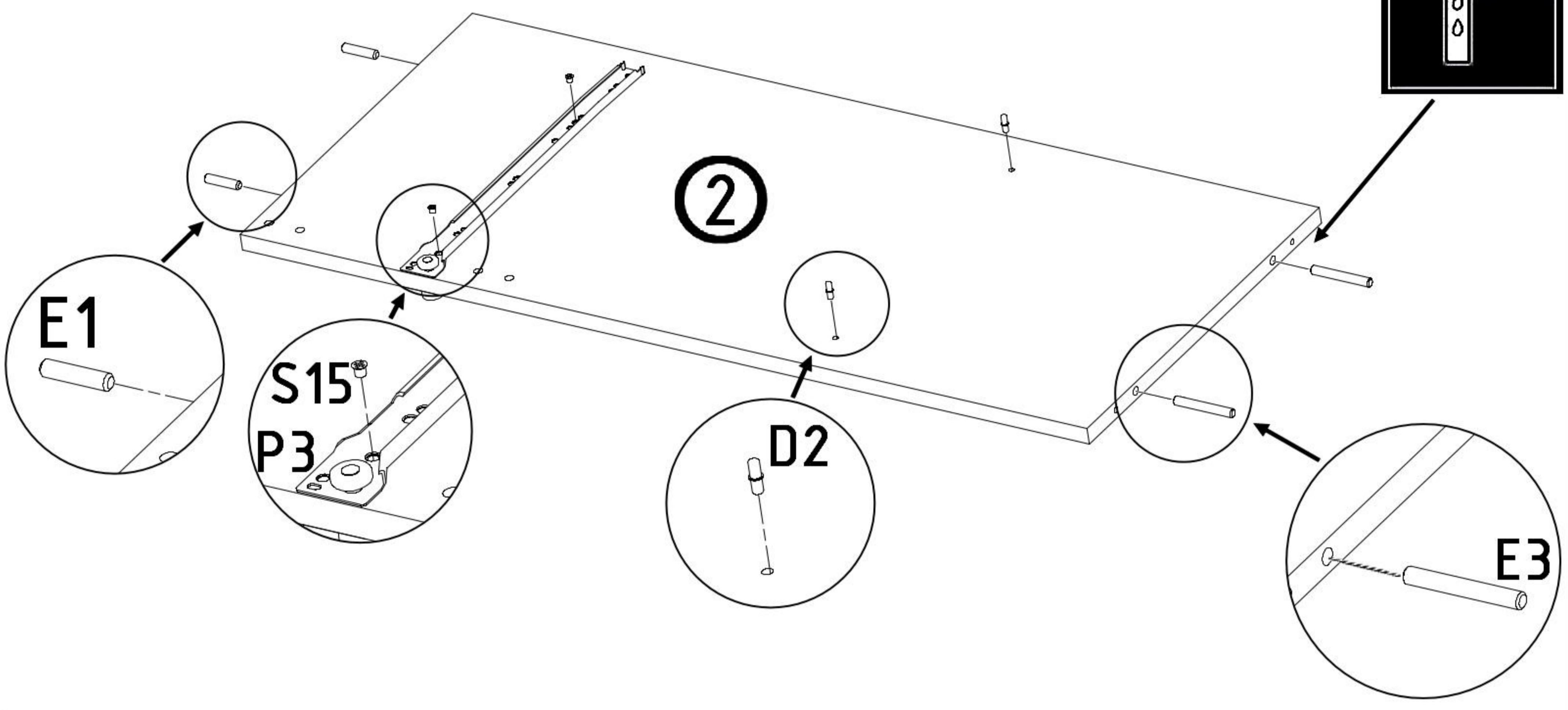
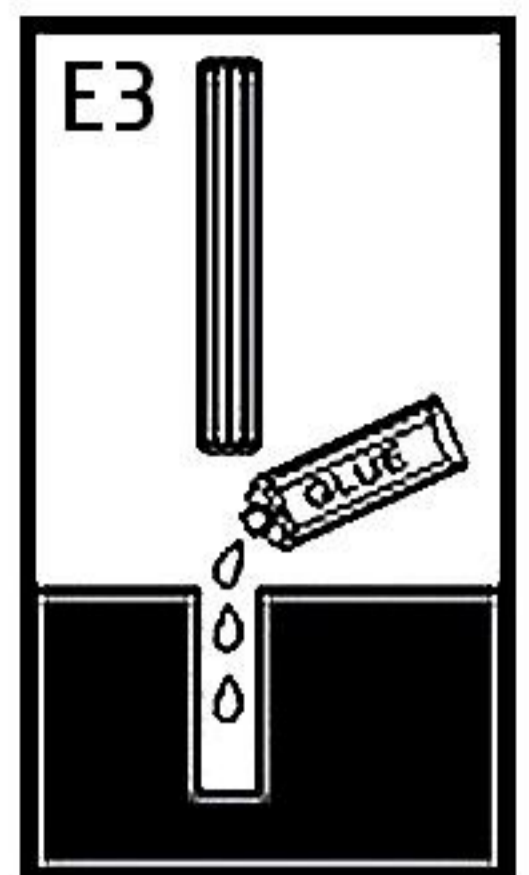
<b>D2</b>  x 2	<b>M3</b>  x 2	<b>P3</b>  L=350 x 1	<b>S15</b>  6x8 x 2	<b>E1</b>  8x35 x 2	<b>E3</b>  8x70 x 2
---	---	---	--	--	--

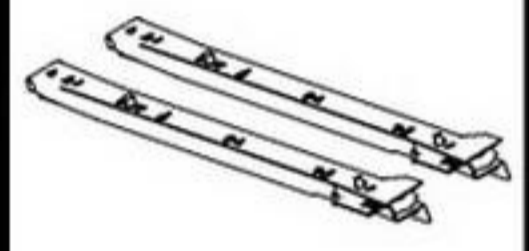





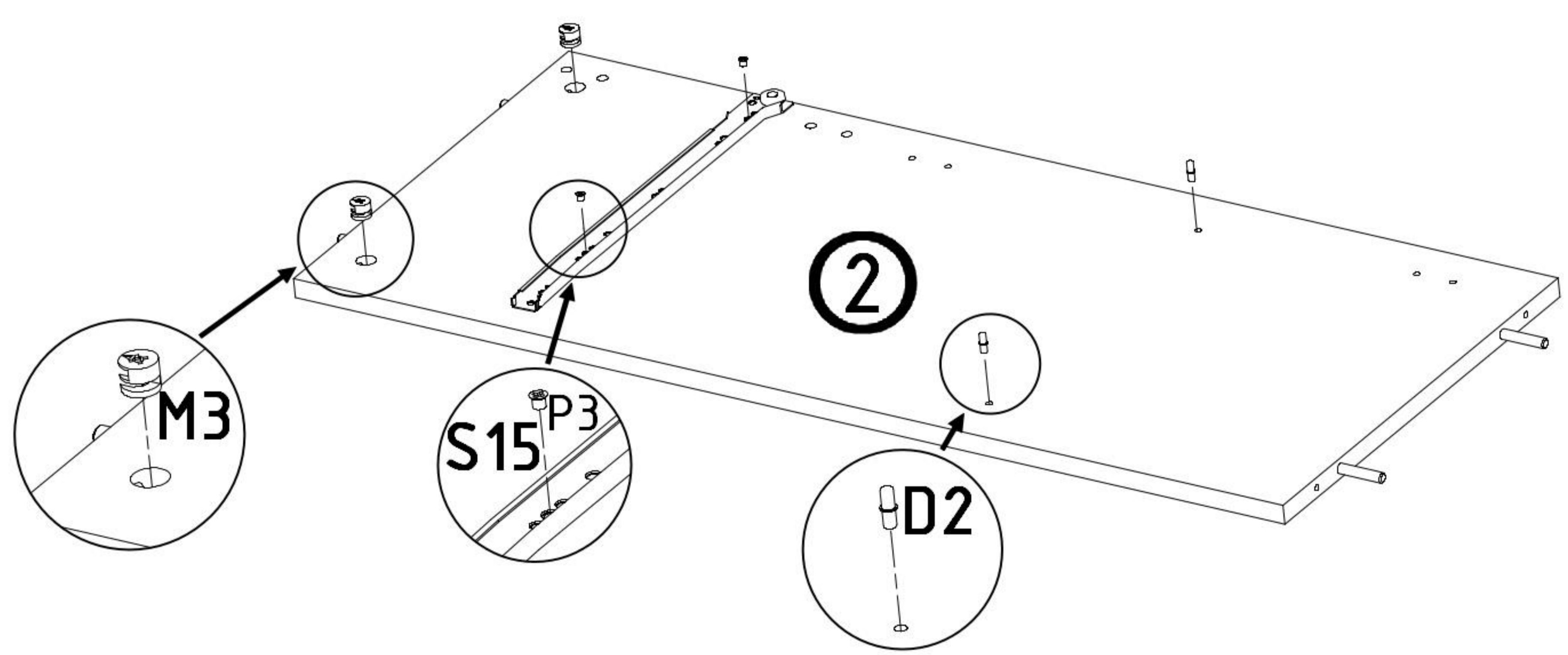
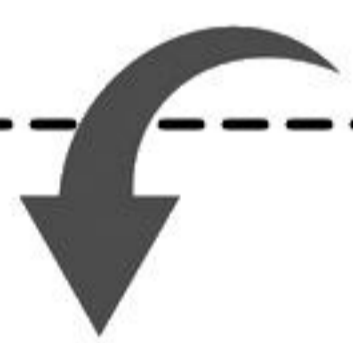
<b>P3</b>  L=350 x 1	<b>S15</b>  6x8 x 2	<b>D2</b>  x 2
--	--	---

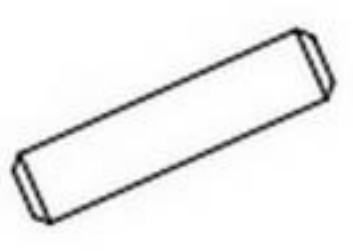



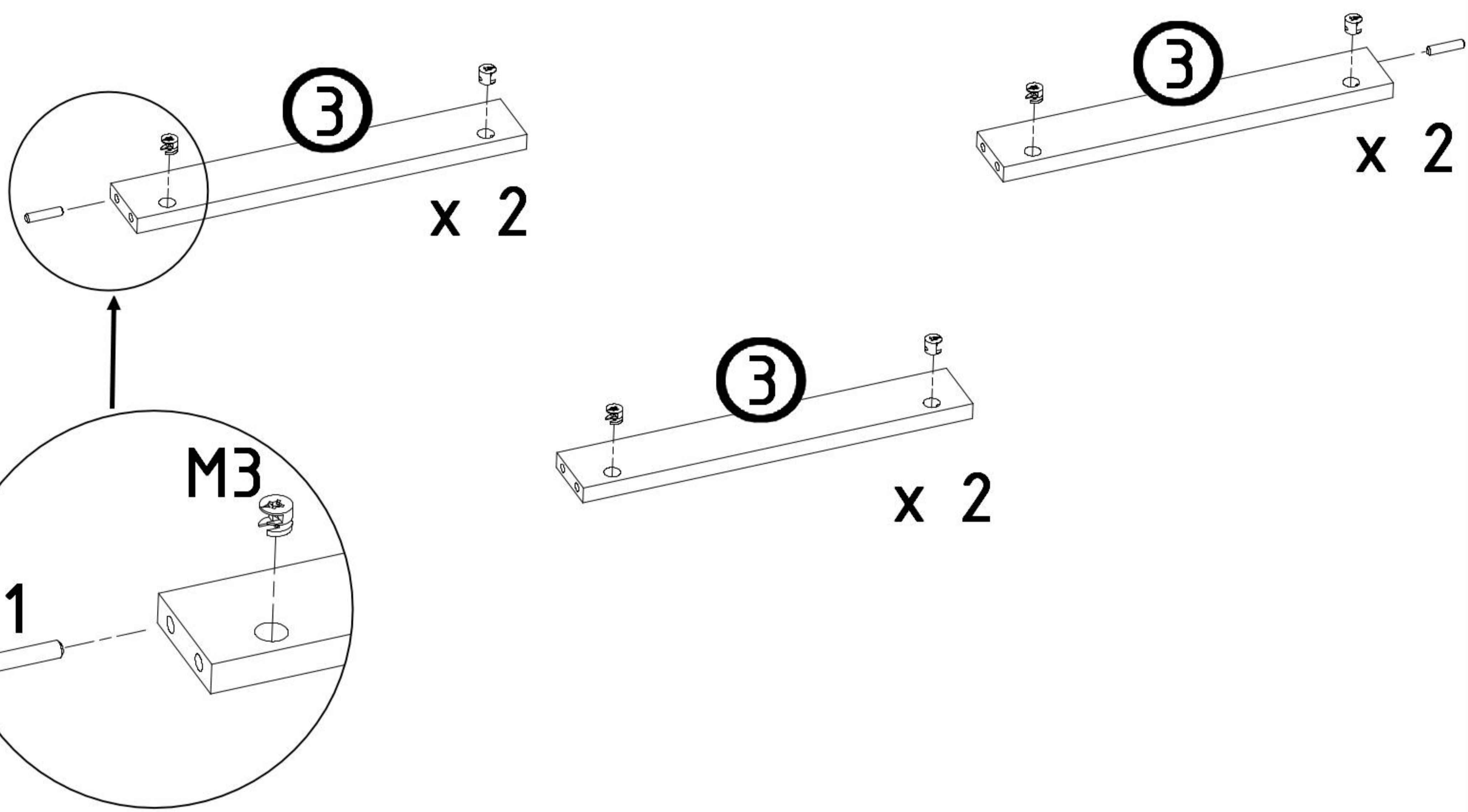
<b>D2</b>  <b>x 2</b>	<b>P3</b>  <b>L=350 x 1</b>	<b>S15</b>  <b>6x8 x 2</b>	<b>E1</b>  <b>8x35 x 2</b>	<b>E3</b>  <b>8x70 x 2</b>
--	--	---	---	---


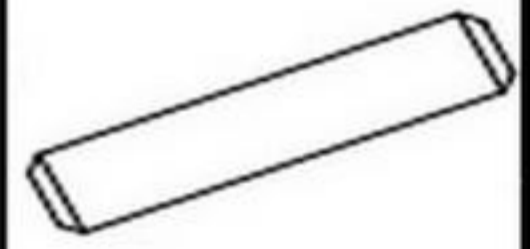


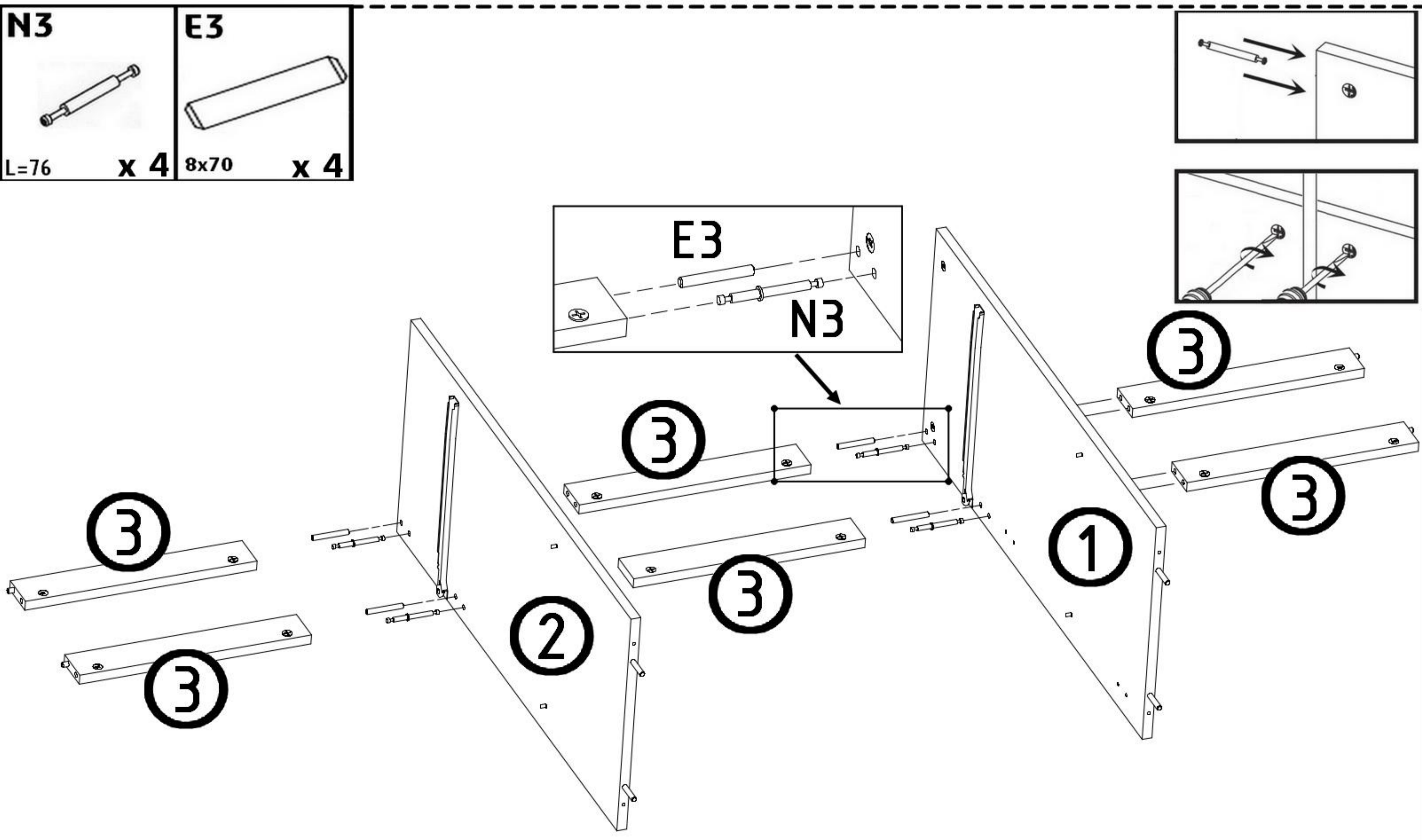
<b>P3</b>  <b>L=350 x 1</b>	<b>S15</b>  <b>6x8 x 2</b>	<b>D2</b>  <b>x 2</b>	<b>M3</b>  <b>x 2</b>
---	---	--	--





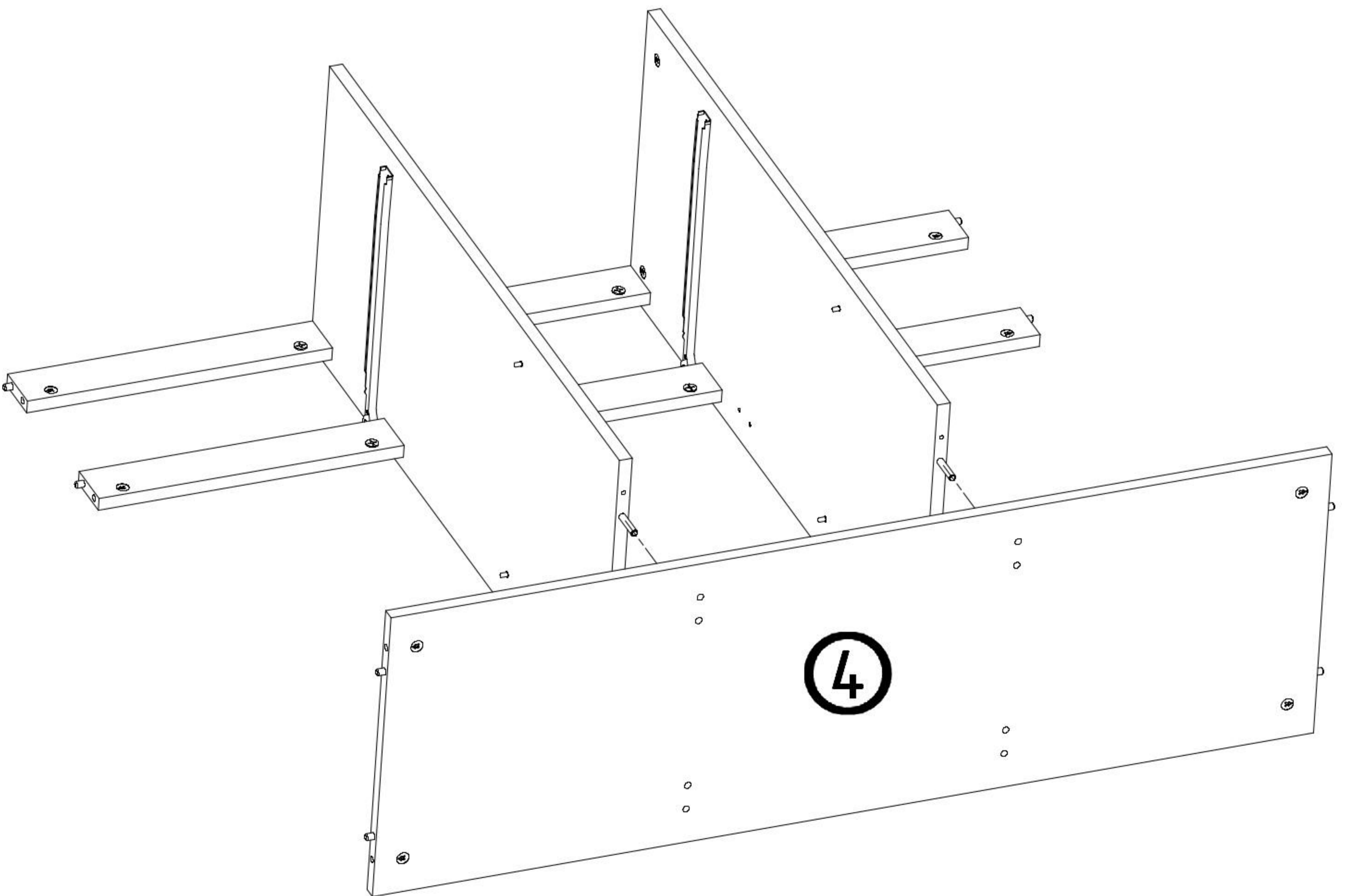
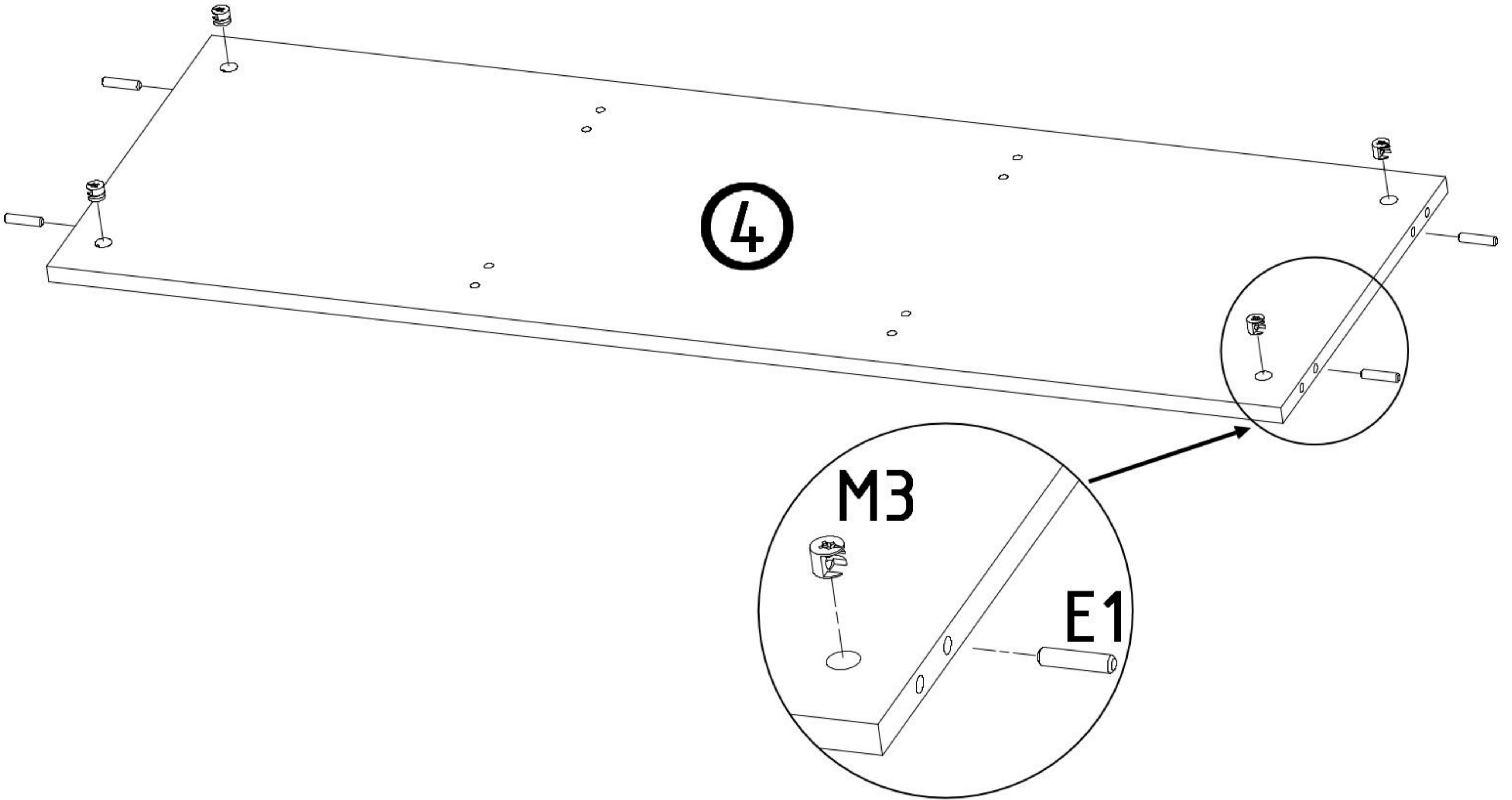
<b>E1</b>  8x35	<b>M3</b>  x 12
<b>x 4</b>	<b>x 12</b>

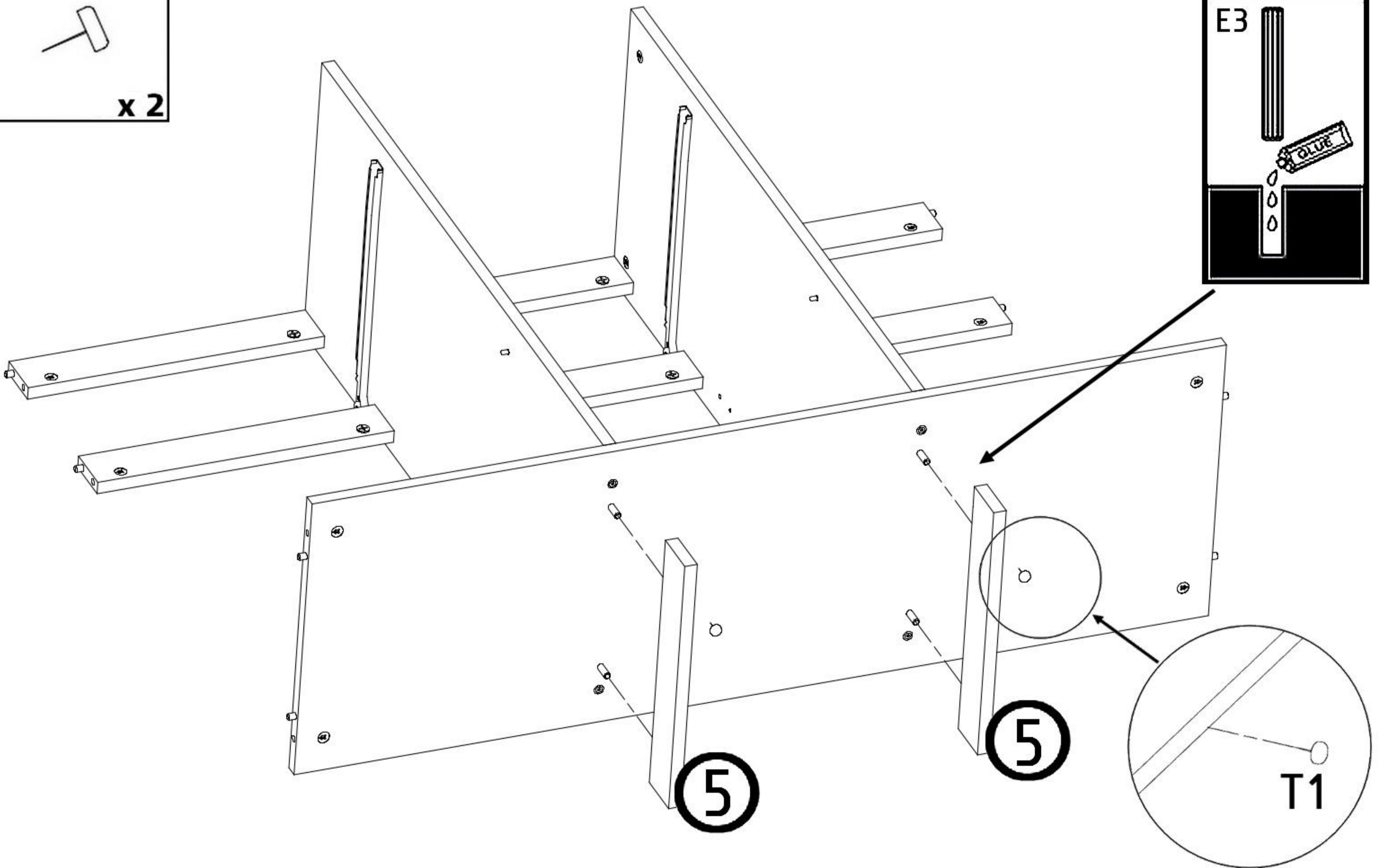
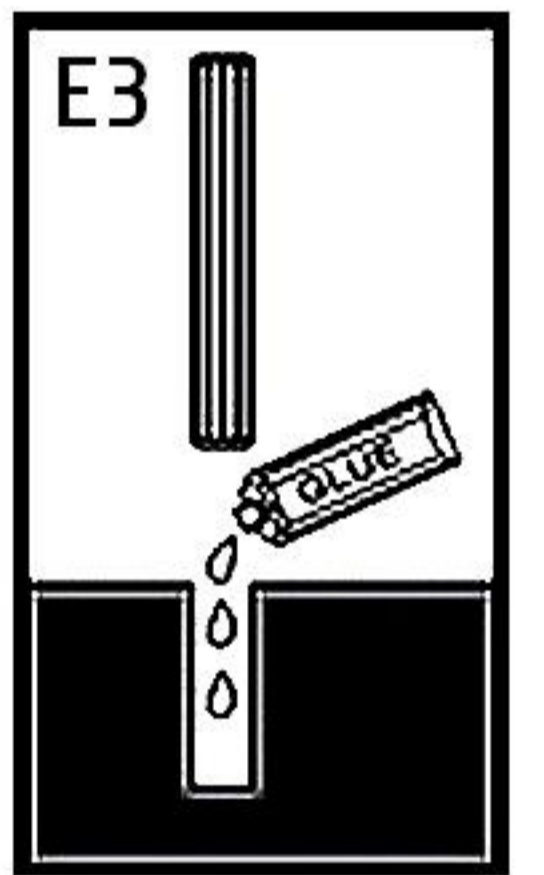
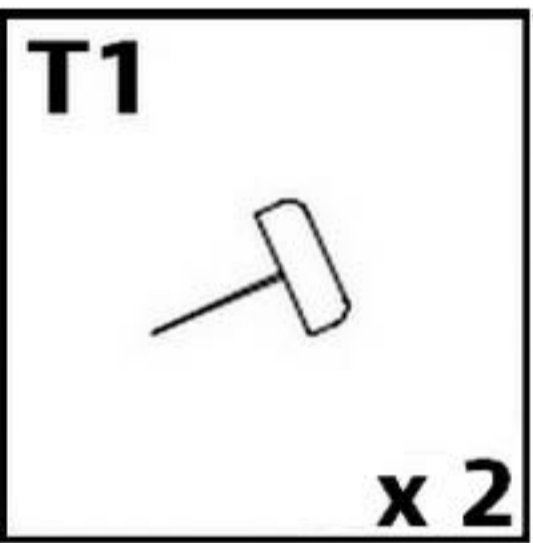
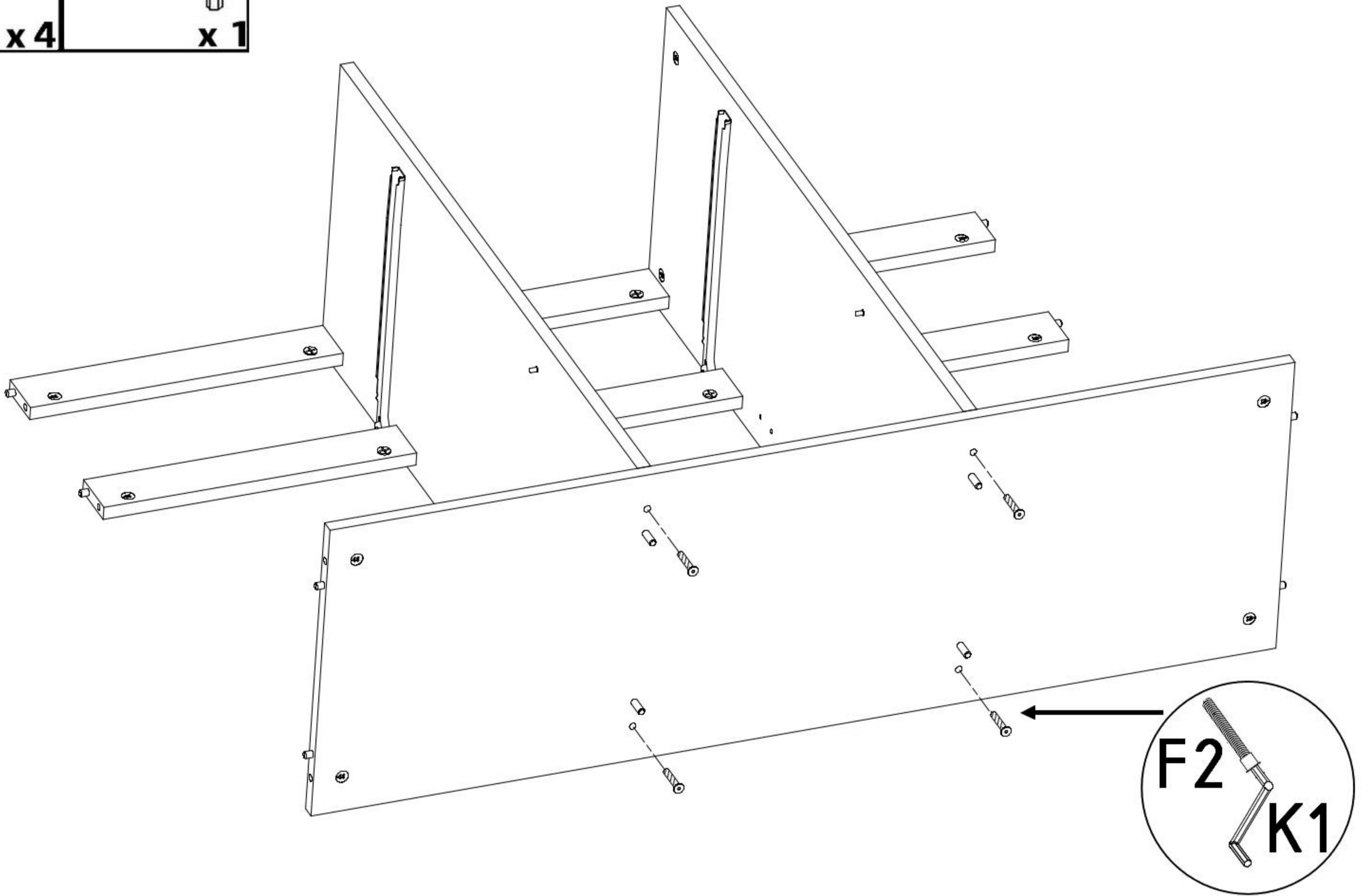
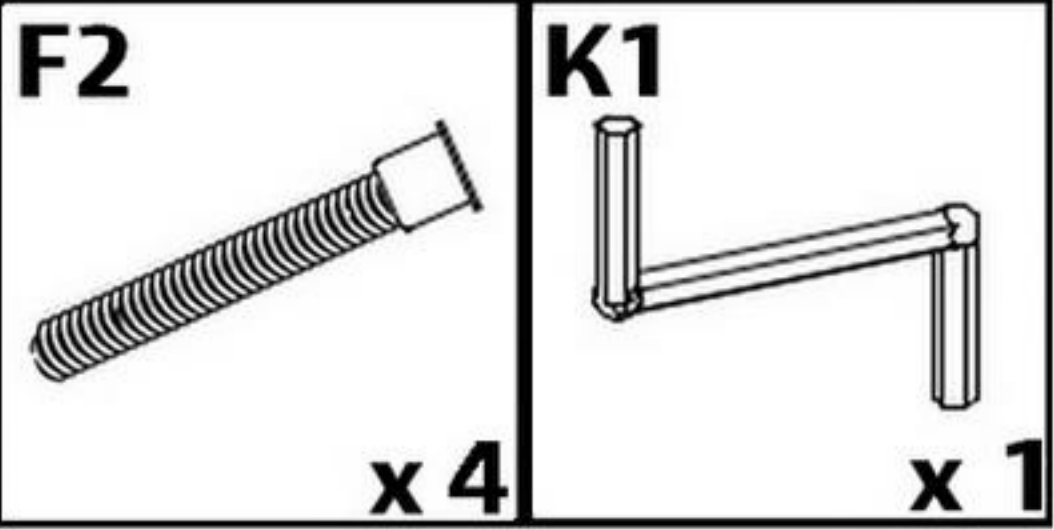




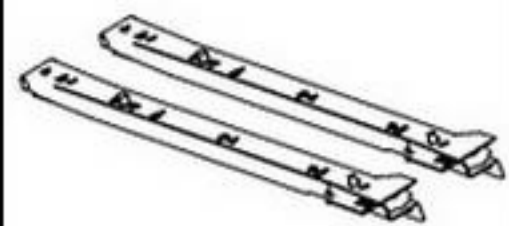




<b>N3</b>  L=76	<b>E3</b>  8x70
<b>x 4</b>	<b>x 4</b>

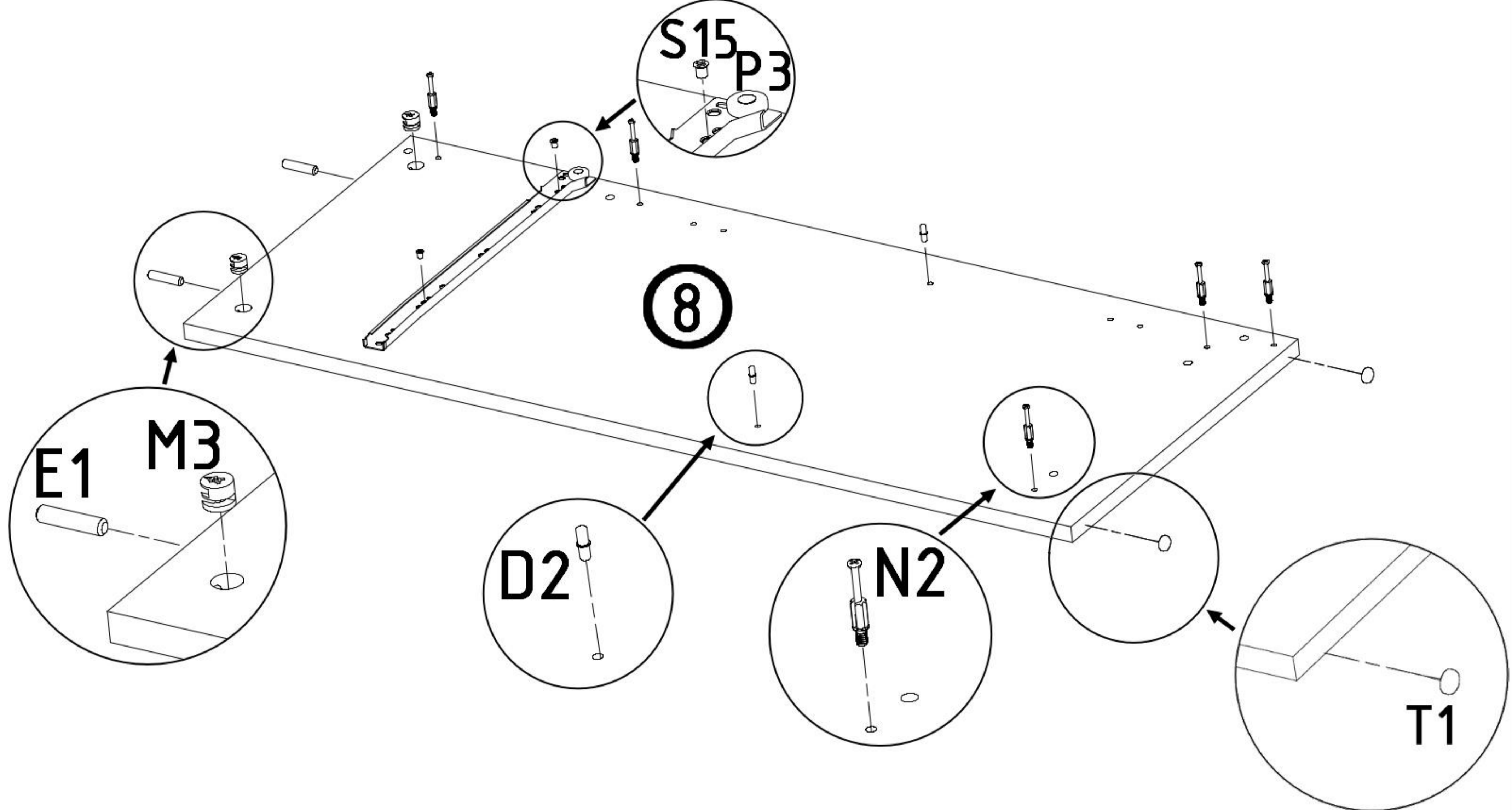





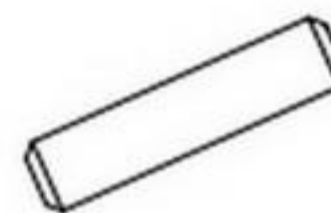



<b>E1</b>  8x35 <b>x 4</b>	<b>M3</b>  <b>x 4</b>
--	--

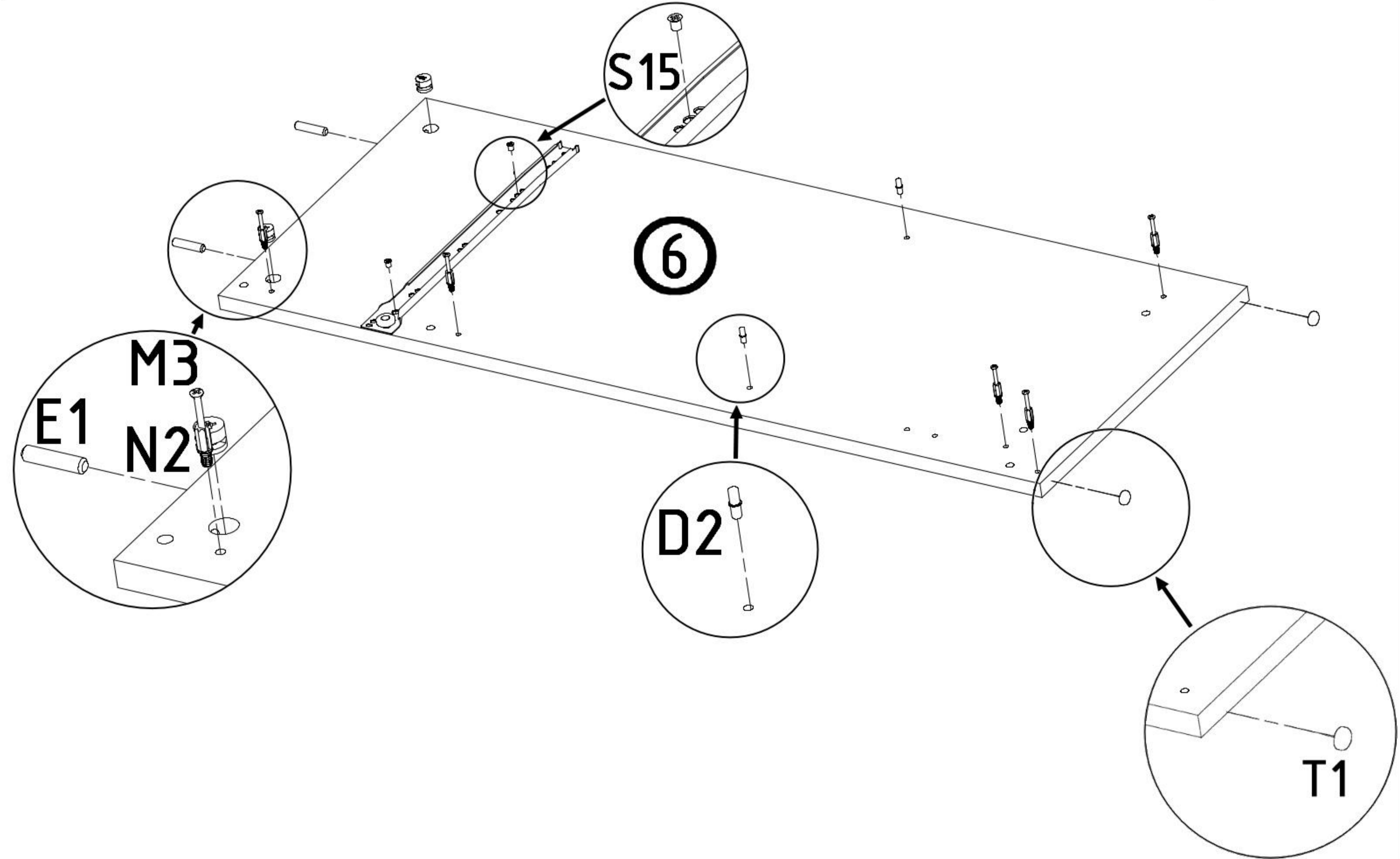




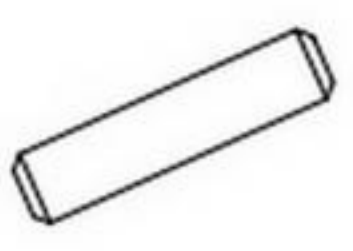


<b>D2</b>  x 2	<b>M3</b>  x 2	<b>P3</b>  L=350 x 1	<b>S15</b>  6x8 x 2	<b>E1</b>  8x35 x 2	<b>N2</b>  L=30,3 x 5	<b>T1</b>  x 2
---	---	---	--	--	--	---

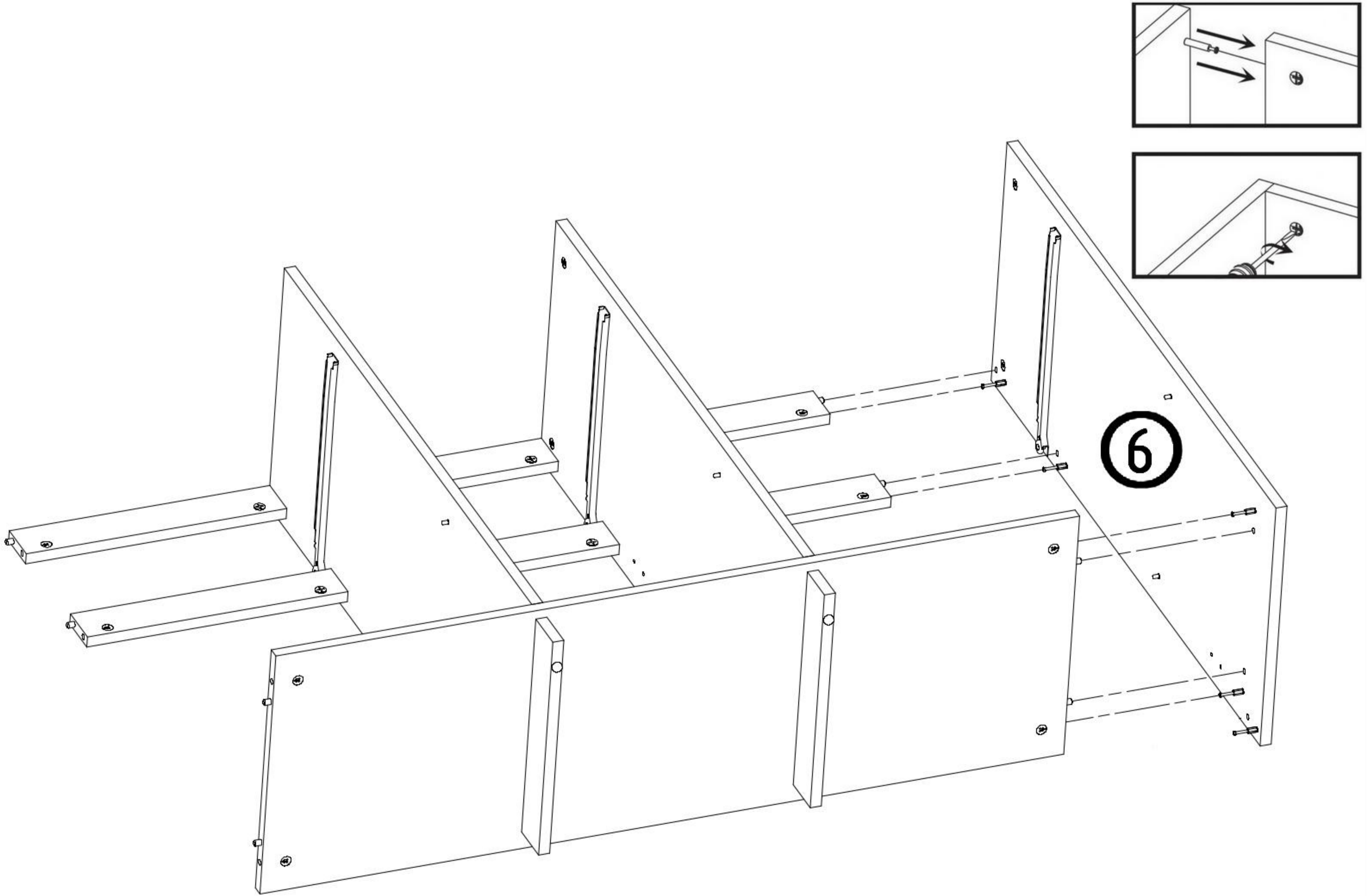
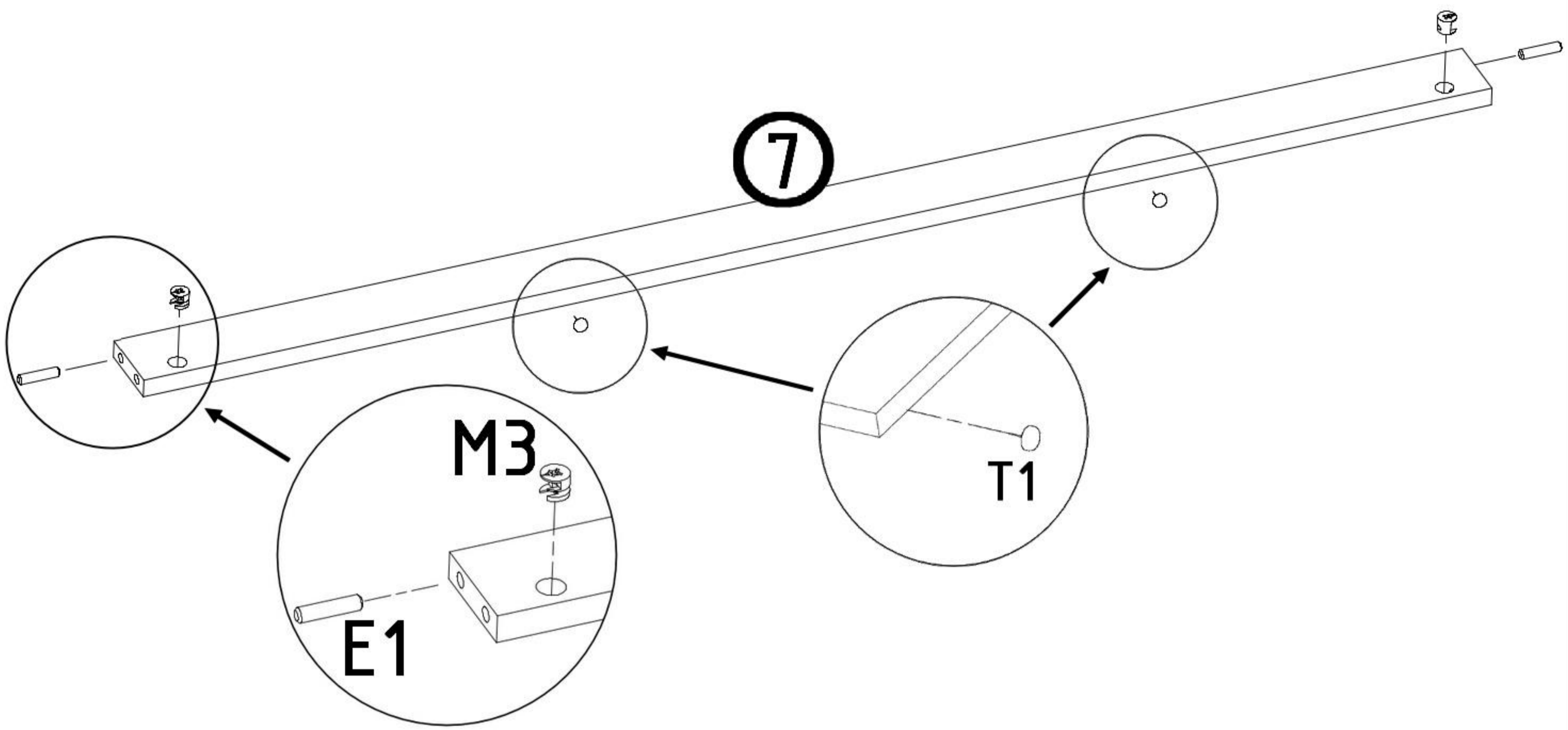


<b>D2</b>  x 2	<b>P3</b>  L=350 x 1	<b>S15</b>  6x8 x 2	<b>E1</b>  8x35 x 2	<b>M3</b>  x 2	<b>N2</b>  L=30,3 x 5	<b>T1</b>  x 2
---	---	--	--	---	--	---

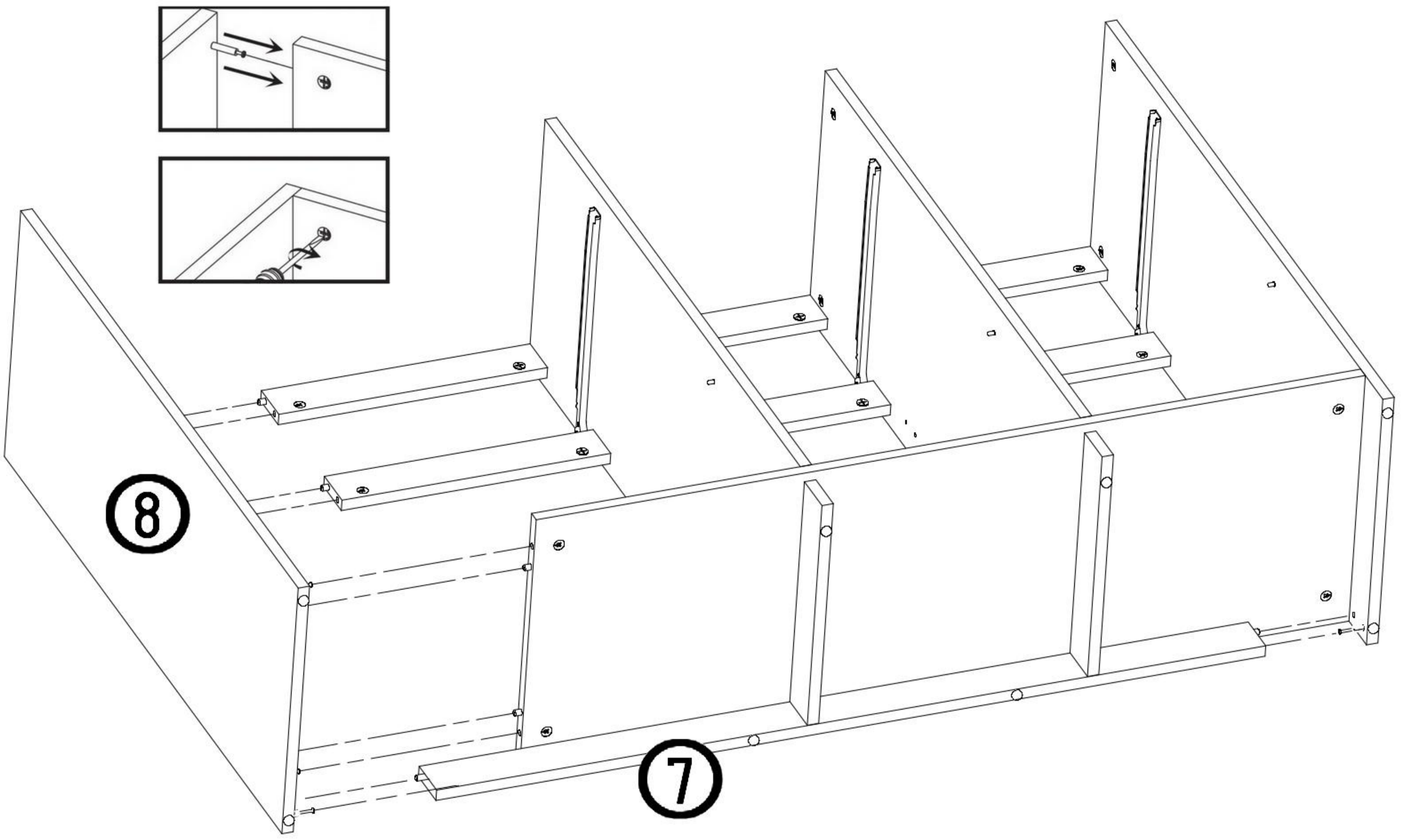




<b>E1</b>  8x35 <b>x 2</b>	<b>M3</b>  <b>x 2</b>	<b>T1</b>  <b>x 2</b>
---	--	--



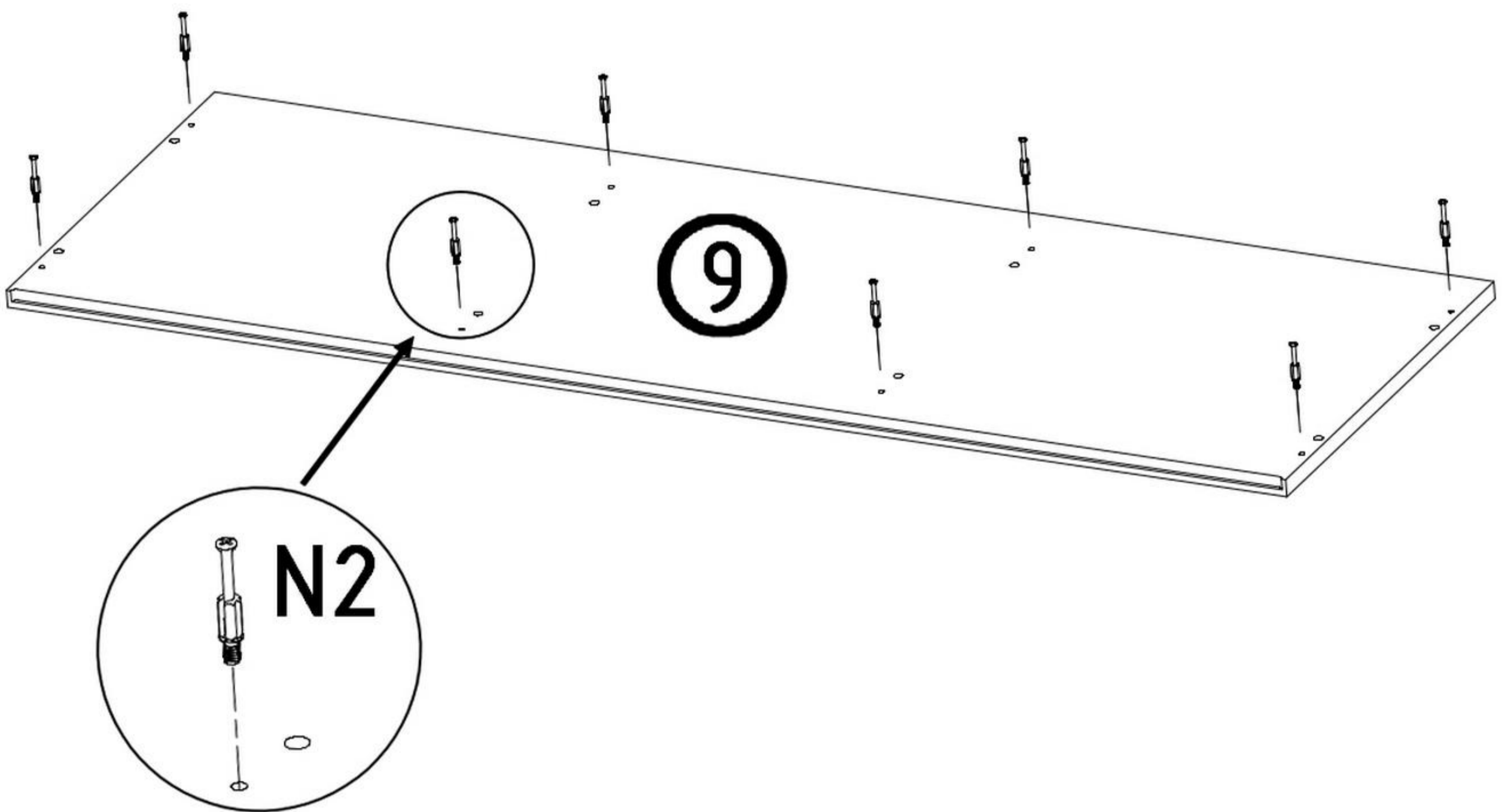
9



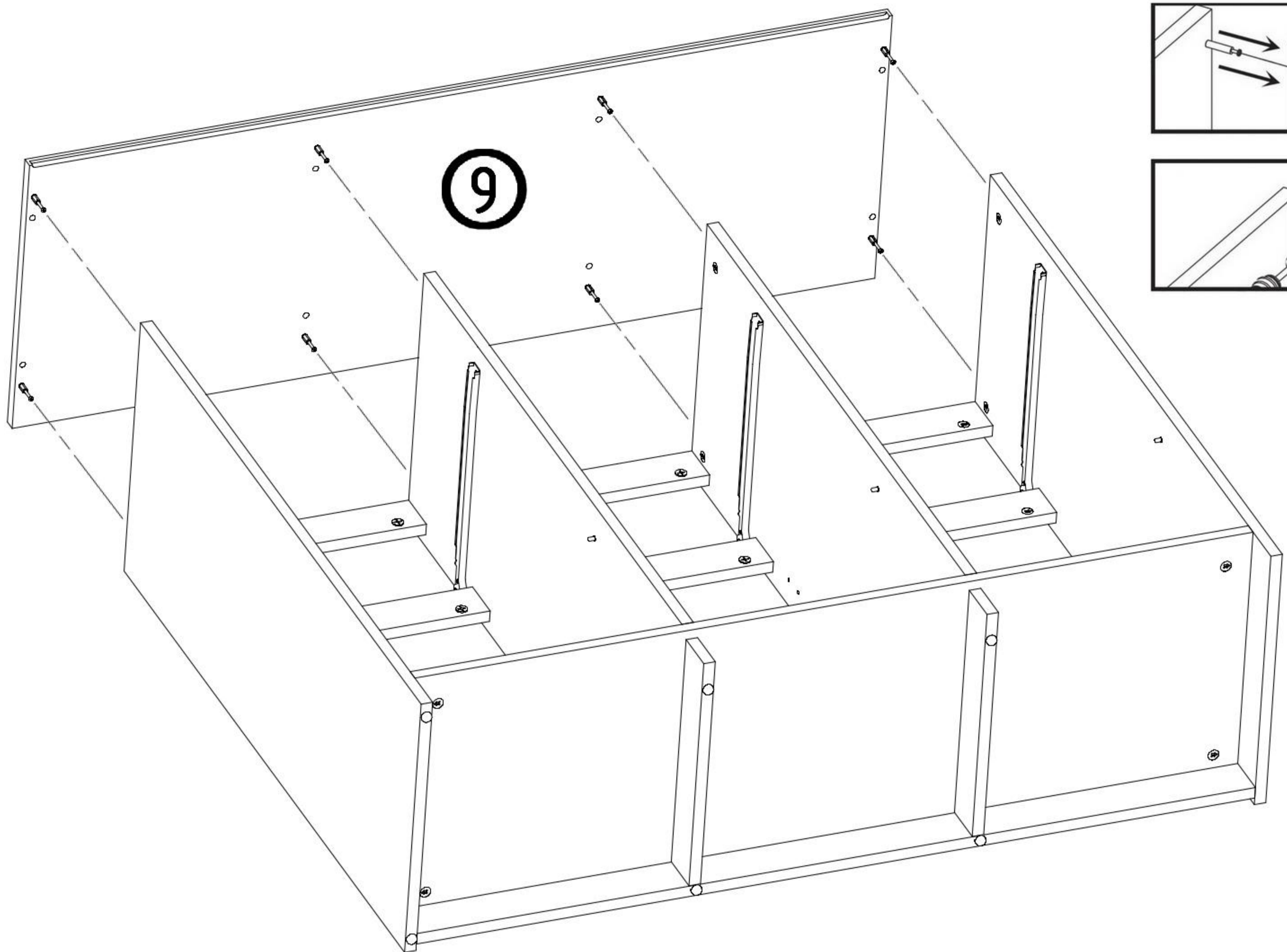
N2






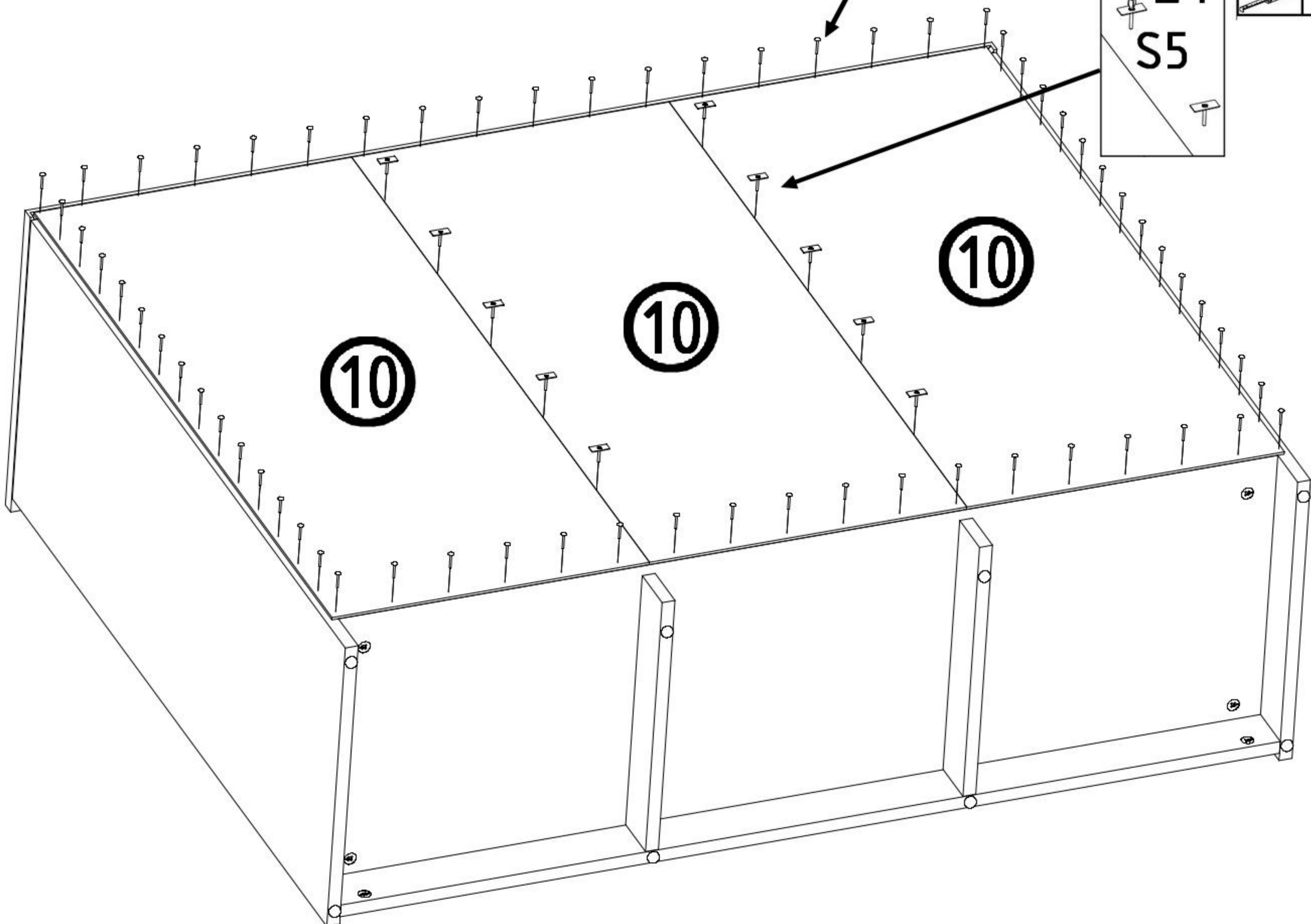
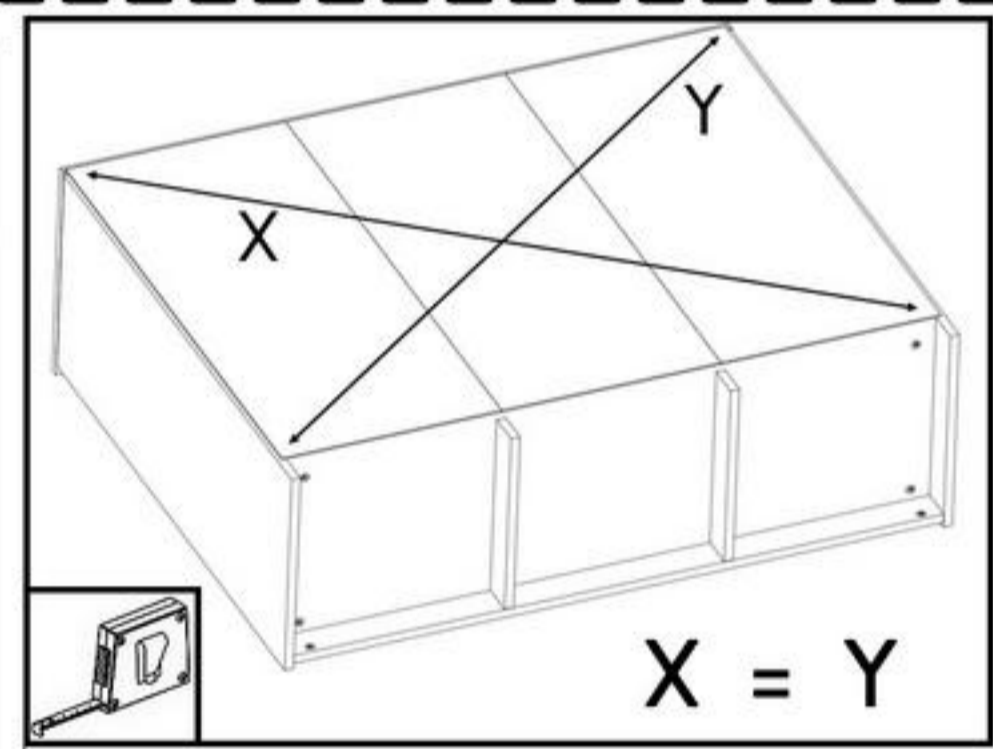
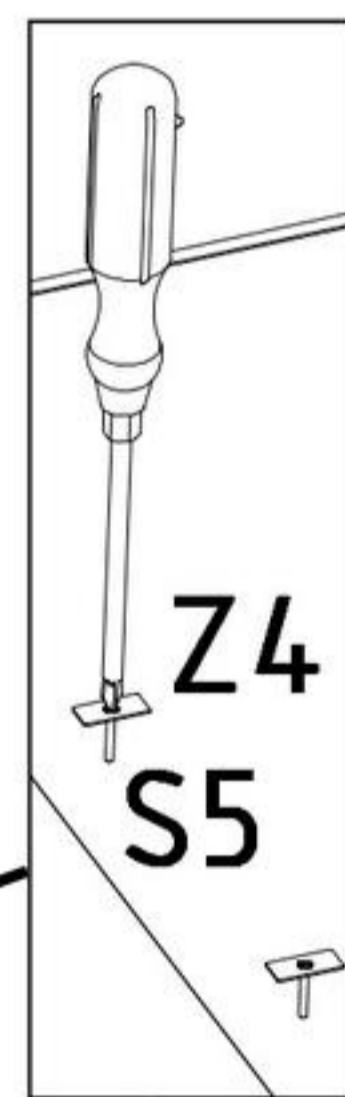
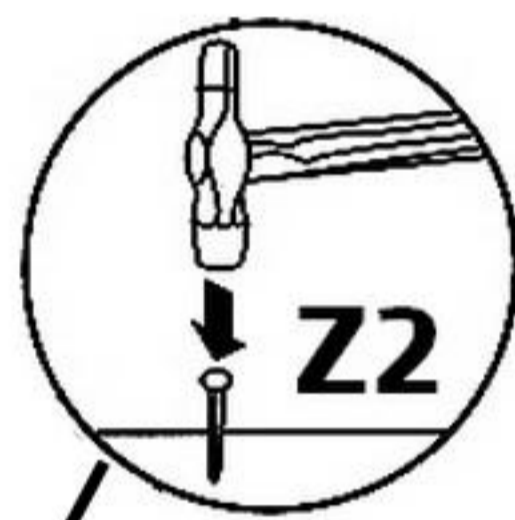
L=30,3 x 8



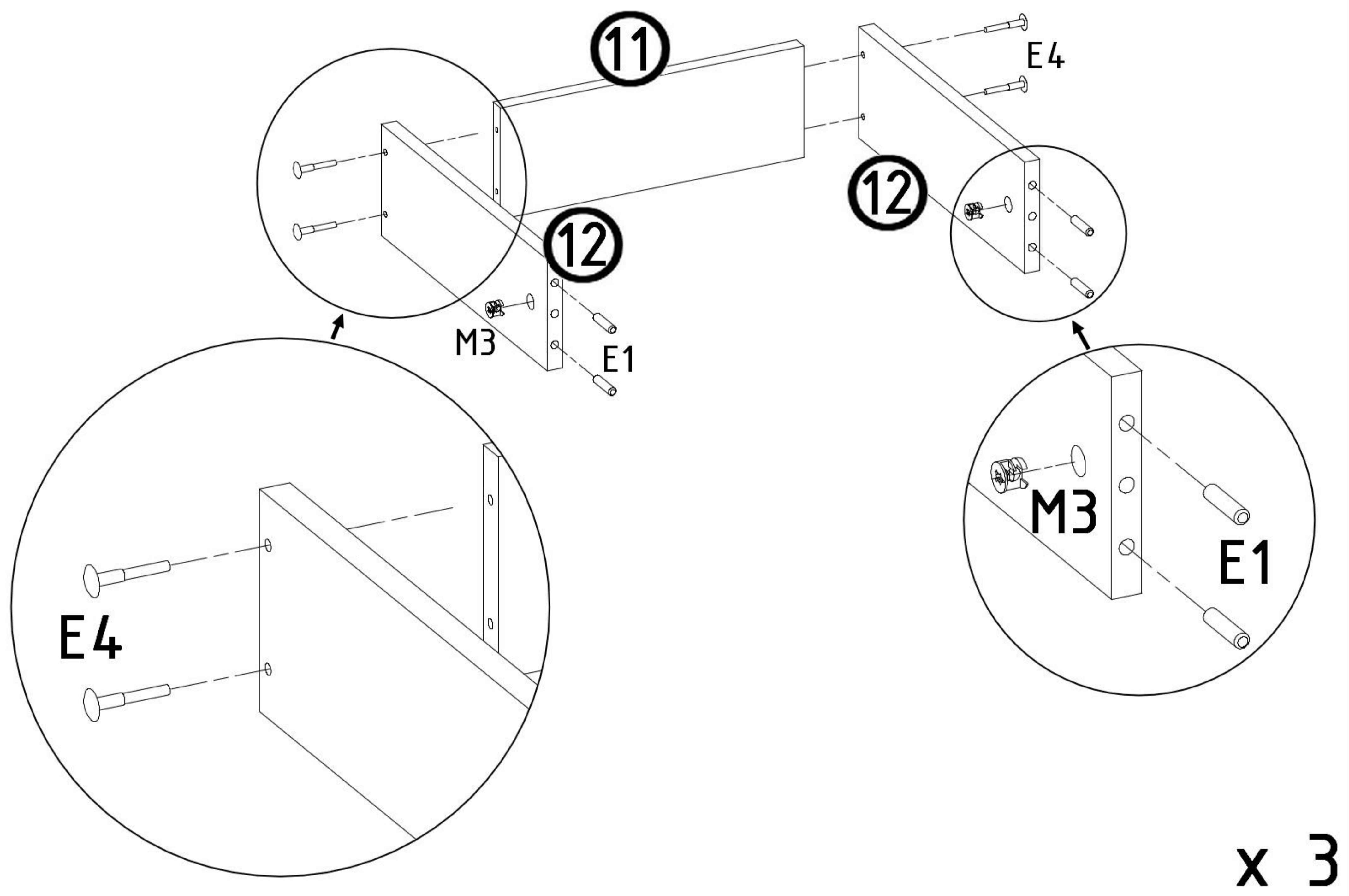
10



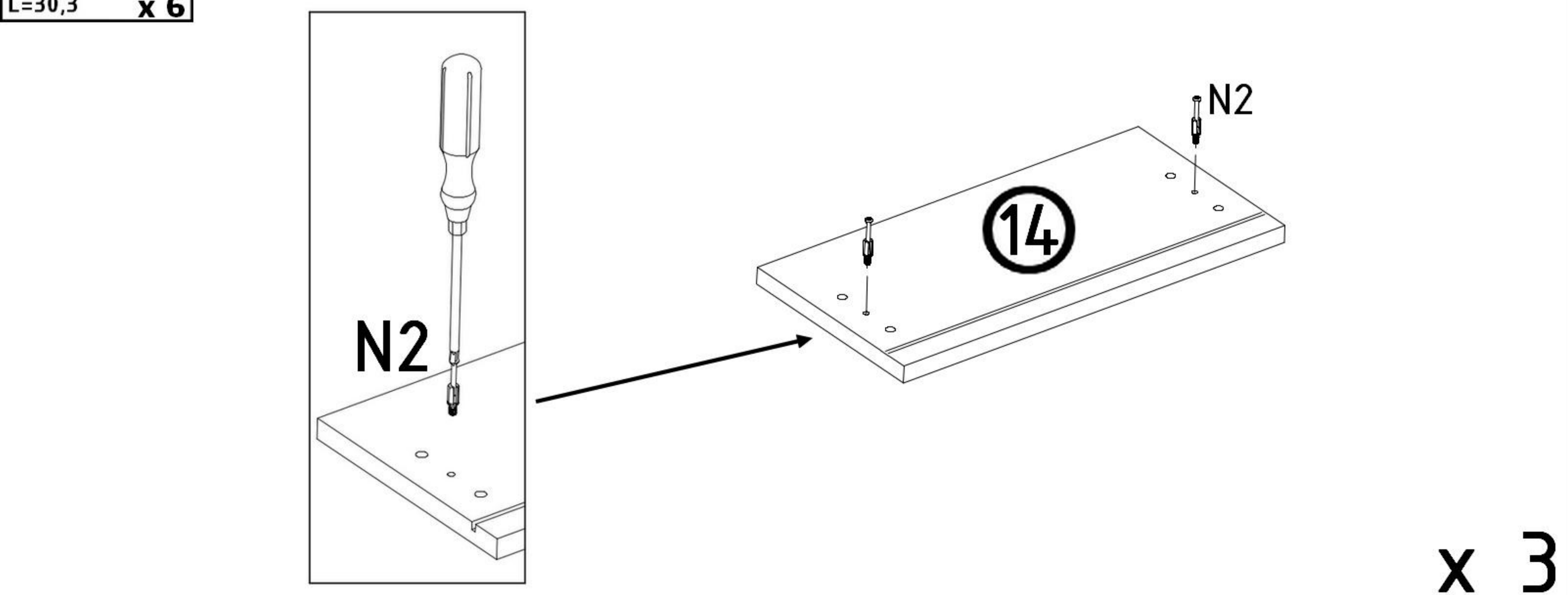
<b>S5</b>  2,5x20 x 10	<b>Z4</b>  x 10	<b>Z2</b>  x 65
---	--	--



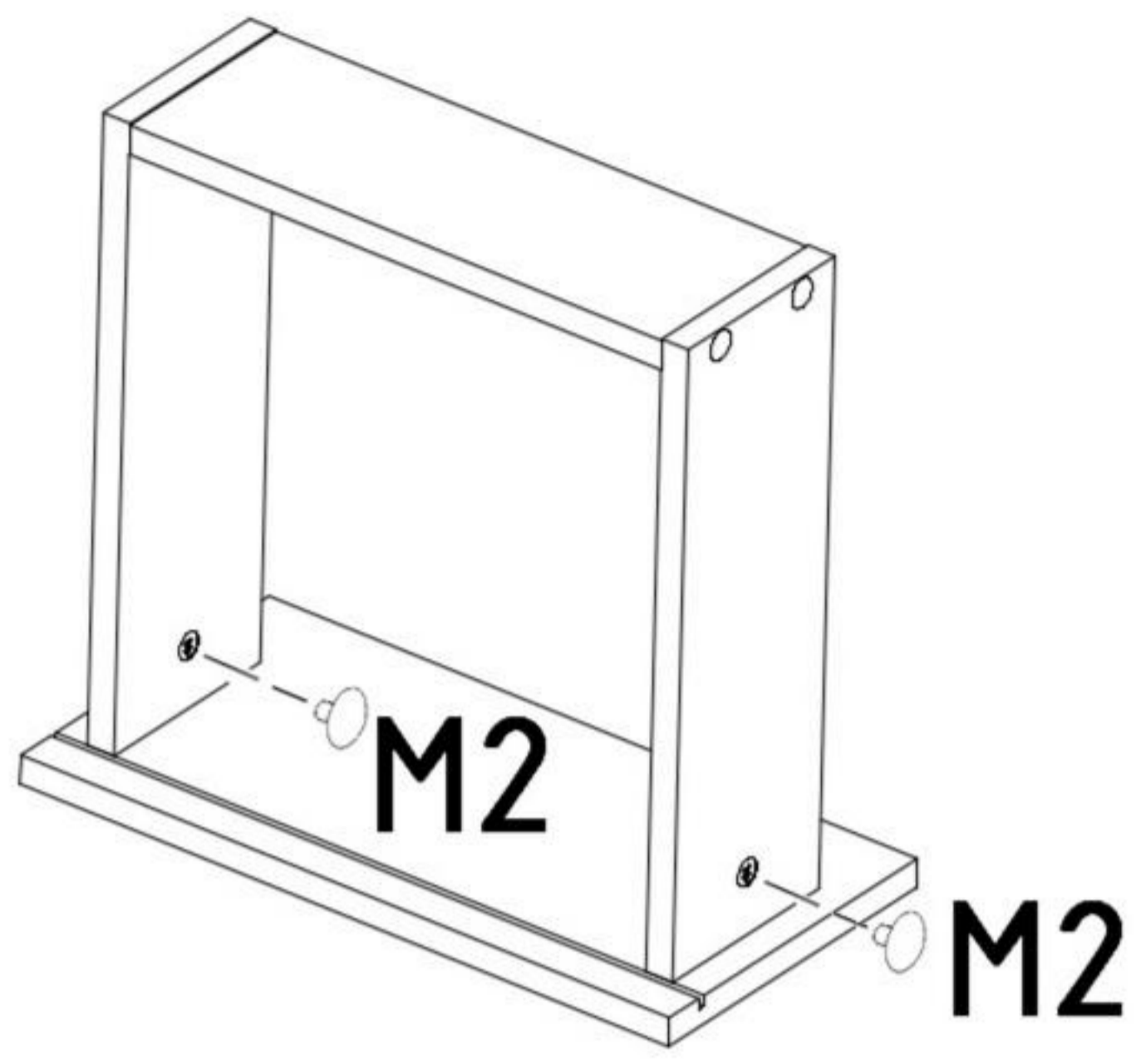
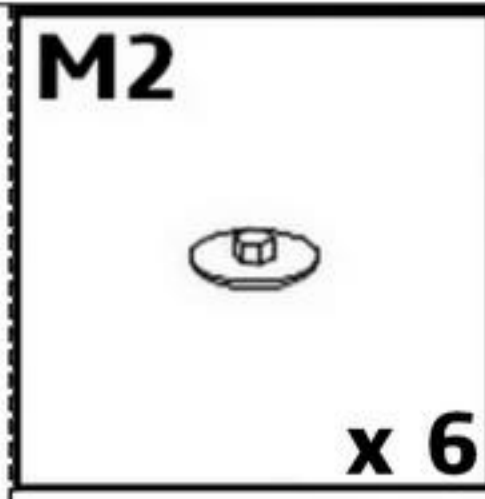
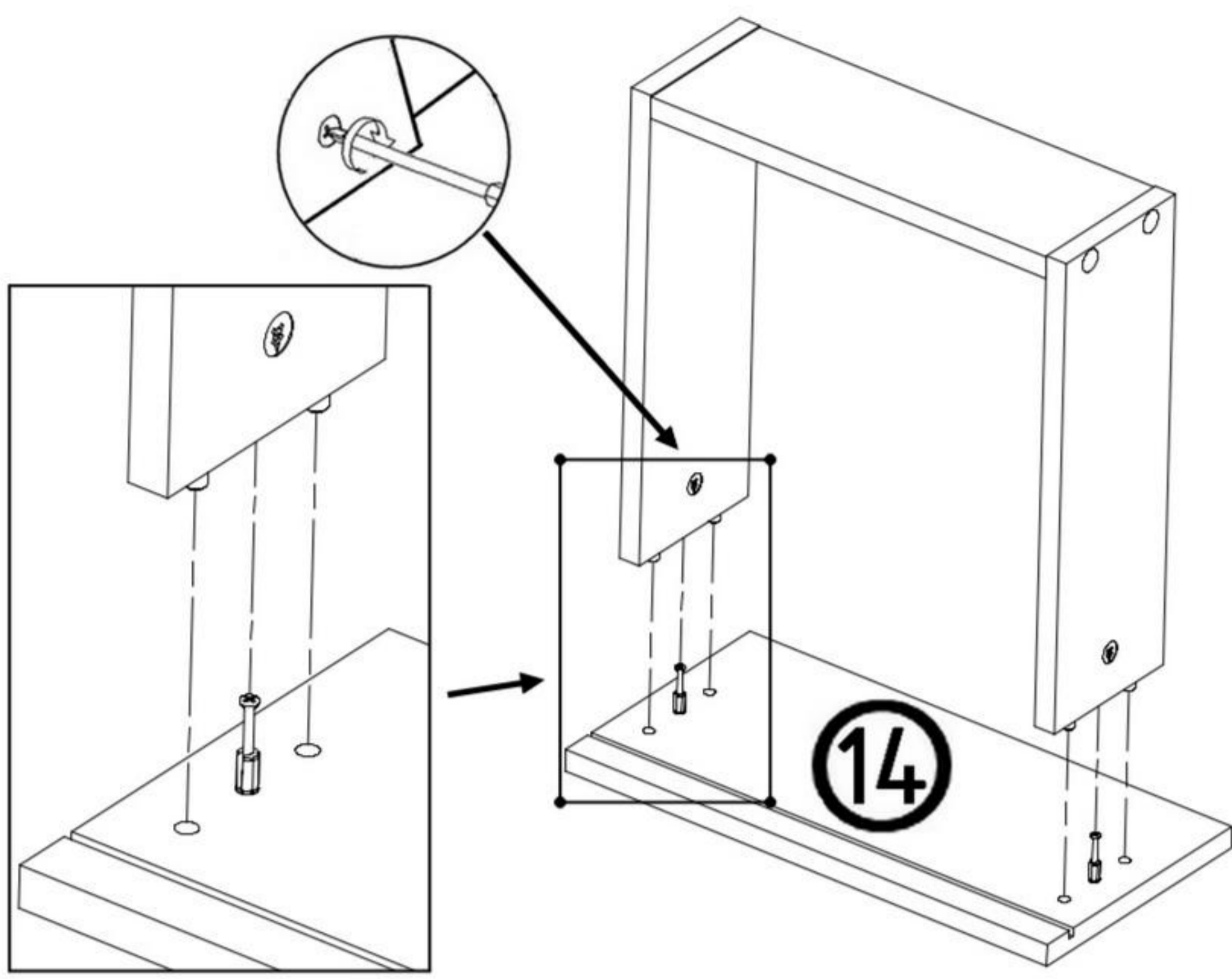
<p><b>E1</b></p>  <p>8x35 x 12</p>	<p><b>M3</b></p>  <p>x 6</p>	<p><b>E4</b></p>  <p>x 12</p>
--	---	--



<p><b>N2</b></p>  <p>L=30,3 x 6</p>
---

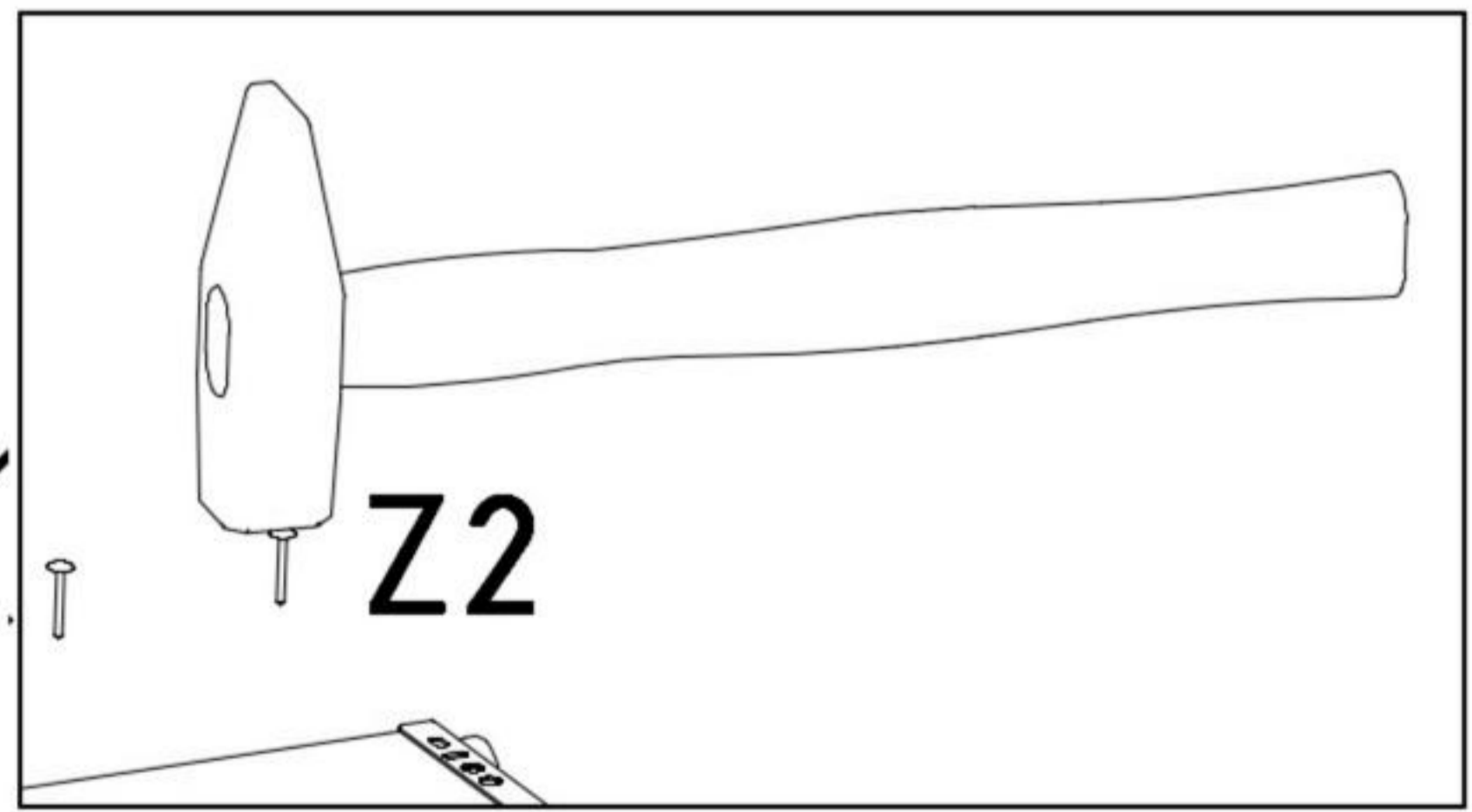
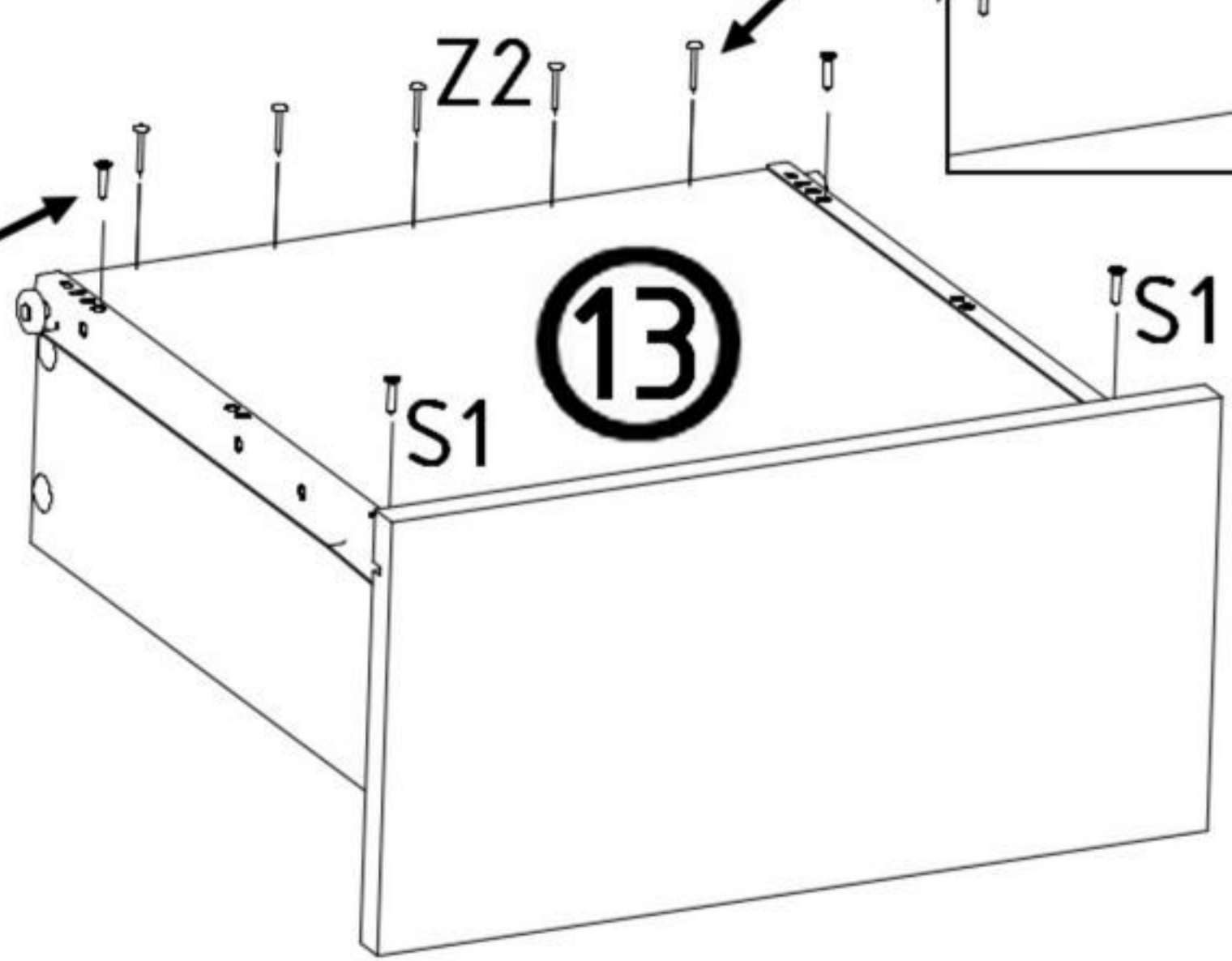
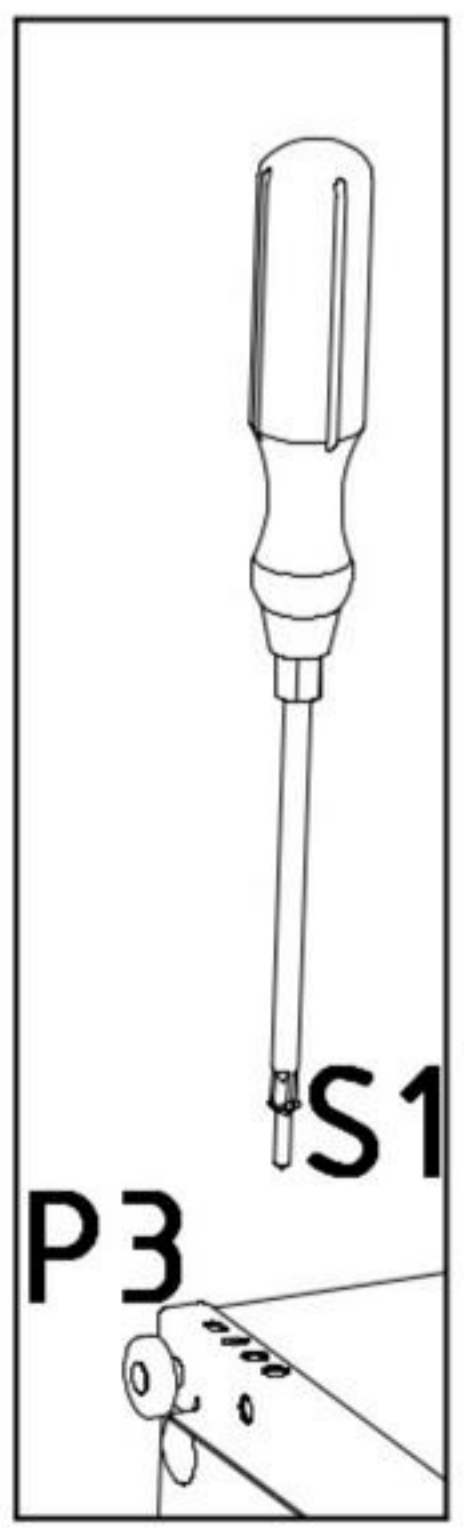
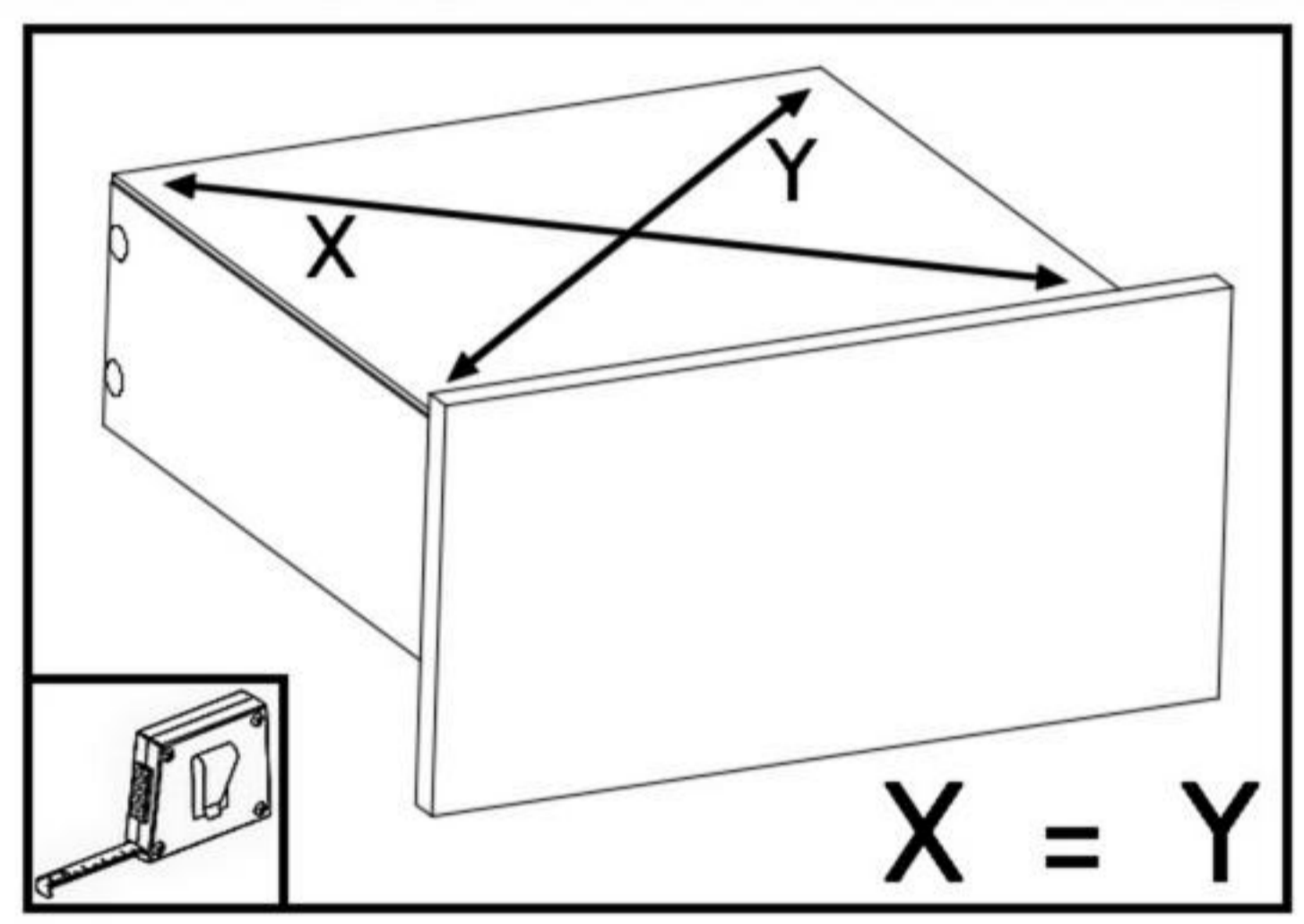
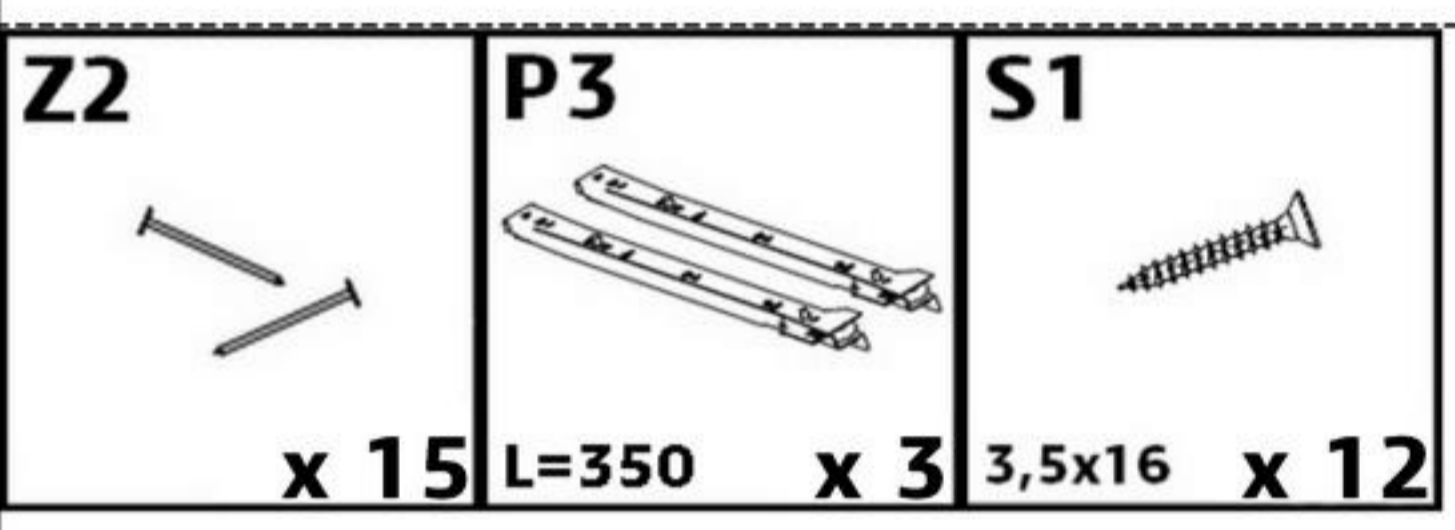


12


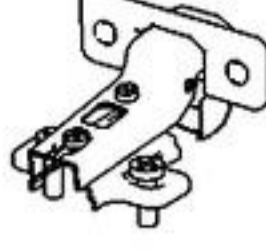


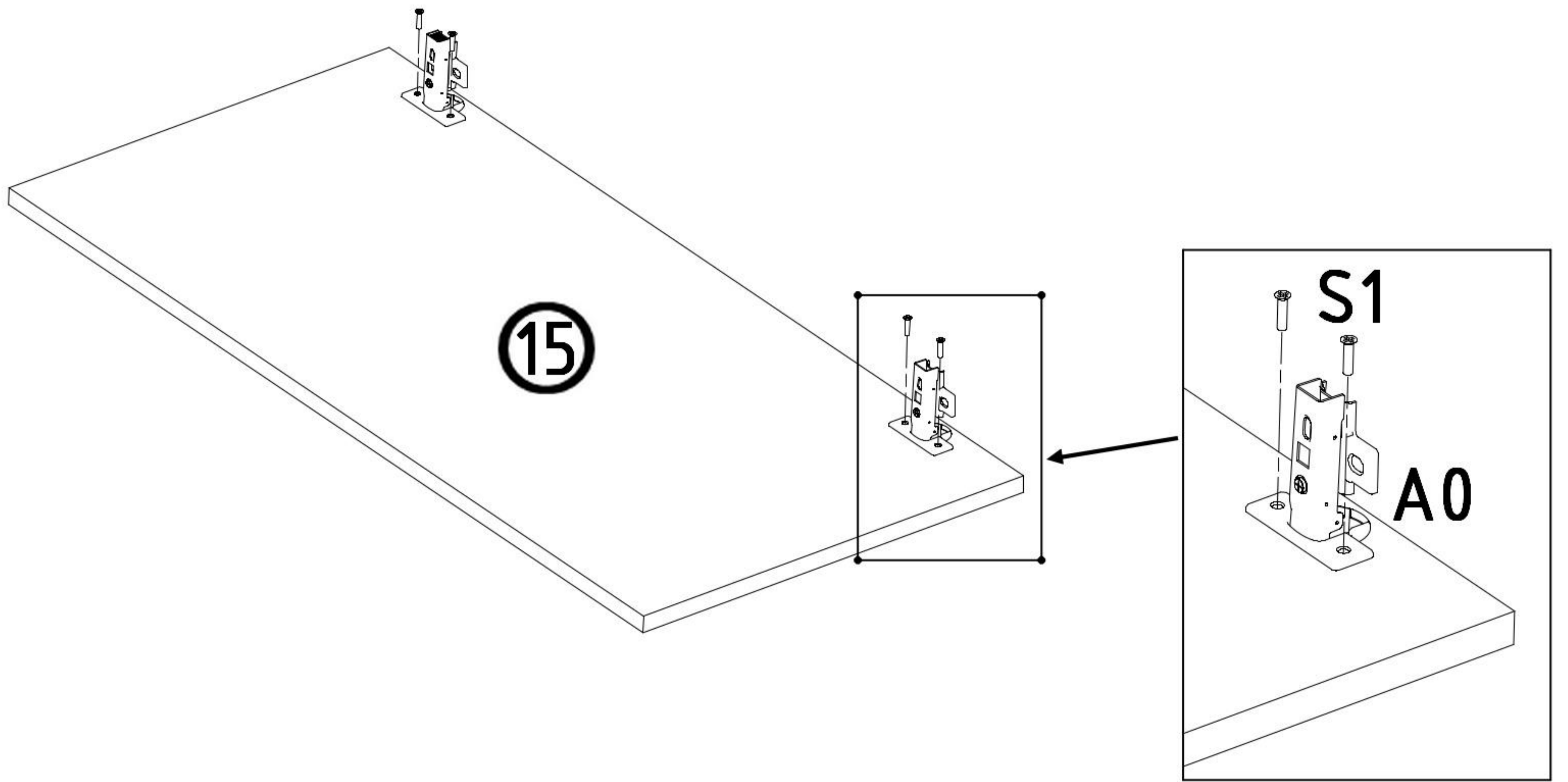
x 3

x 3



x 3

<b>S1</b>  3,5x16 x 12	<b>A0</b>  x 6
---	---



x 3

