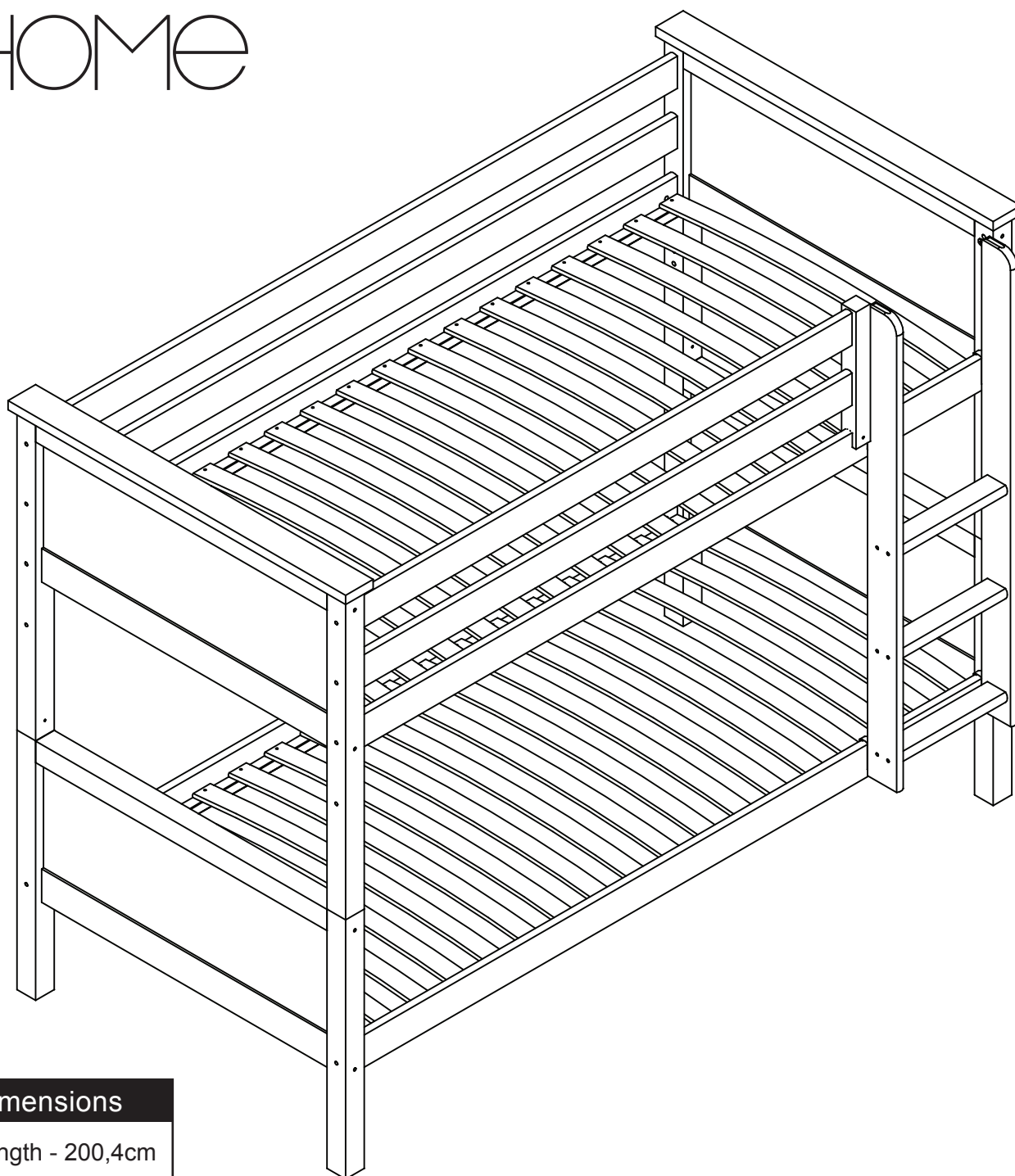


Bunkbed Brooklyn - Grey

Assembly Instructions - Please keep for future reference

8728700

HOME



Dimensions

Length - 200,4cm

Depth - 106cm

Height - 151,5cm

Weight - 60,2kg

Important – Please read these instructions fully before starting assembly

If you need help or have damaged or missing parts, call the **Customer Helpline:**

0045 7668 8055 or e-mail: order@flexa.dk



Safety and Care Advice

Important – Please read these instructions fully before starting assembly

- Check you have all the components and tools listed on pages 2 and 3.
- Remove all fittings from the plastic bags and separate them into their groups.
- Keep children and animals away from the work area, small parts could choke if swallowed.
- Make sure you have enough space to layout the parts before starting.

- Do not stand or put weight on the product, this could cause damage.
- Assemble the item as close to its final position (in the same room) as possible.
- Assemble on a soft level surface to avoid damaging the unit or your floor.
- Parts of the assembly will be easier with 2 people.



- We do not recommend the use of power drill/drivers **for inserting screws**, as this could damage the unit. Only use hand screwdrivers.
- Dispose of all packaging carefully and responsibly.

Care and maintenance

- Only clean using a damp cloth and mild detergent, do not use bleach or abrasive cleaners.
- From time to time check that there are no loose screws on this unit.
- This product should not be discarded with household waste. Take to your local authority waste disposal centre.

IMPORTANT - READ CAREFULLY -RETAIN FOR FUTURE REFERENCE

ASSEMBLY:

Always follow the instruction. Current legislation requires that the high bed / bunk bed must be fitted with 4 safety-rails and a ladder or platform for the upper bunk. The high bed / bunk bed meets the European EN 747:2012 A1:2015 standards for security and durability.

MATTRESS:

This bed is designed to use a mattress size 190 cm long and 90 cm wide. The total thickness must not exceed 19,5 cm. The mattress top must not pass the marking on the ladder / the post for the safety-rail.

WARNING:

High beds and the upper bed of bunk beds are not suitable for children under six years due to the risk of injury from falls. Bunk beds and high beds can present a serious risk of injury from strangulation if not used correctly. Never attach or hang items to any part of the bunk bed that are not designed to be used with the bed, for example, but not limited to ropes, strings, cords, hooks, belts and bags. Children can be become trapped between the bed and the wall, a roof pitch, the ceiling, adjoining pieces of furniture (e.g. cupboards) and the like. To avoid risk of serious injury the distance between the top safety barrier and the adjoining structure shall not exceed 75 mm or shall be more than 230 mm.

Do not use the high bed / bunk bed if any structural part is broken or missing.

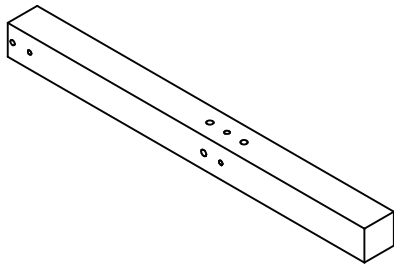
MAINTENANCE INSTRUCTIONS:

Check regularly that all assembly fastenings are properly tightened. Ventilation of the room is necessary in order to keep the humidity low and to prevent mould in and around the bed.

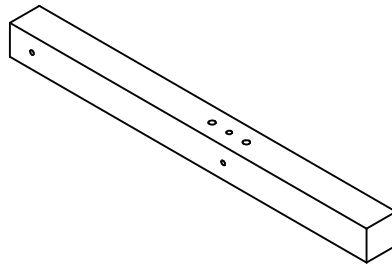
Components - Parts

If you have damaged or missing components, call the **Customer Helpline: 0045 7668 8055**

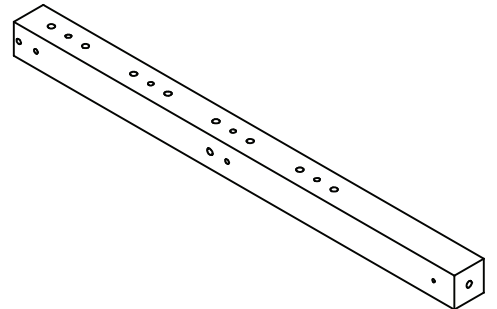
Please check you have all the parts listed below



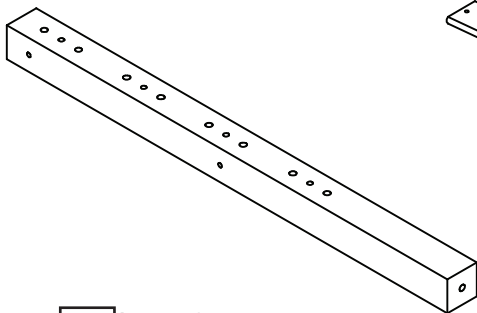
1 Leg x2 (66,7x5,5x5,5cm)
No. 12-05506671-65



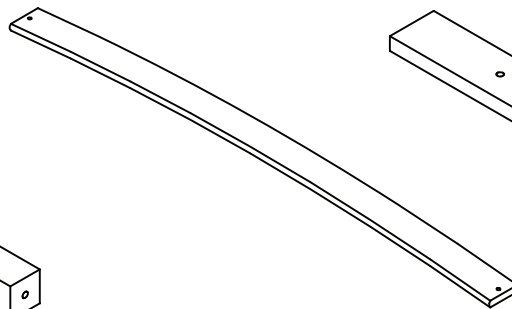
2 Leg x2 (66,7x5,5x5,5cm)
No. 12-05506672-65



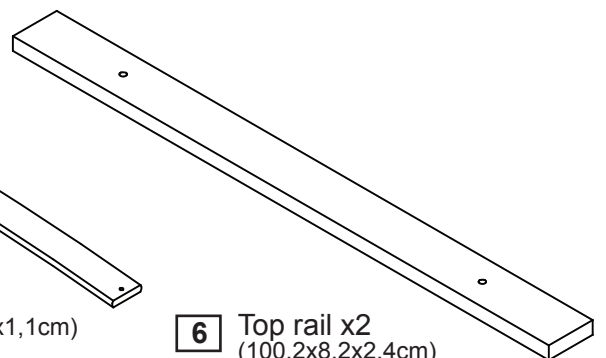
3 Leg x2 (82,4x5,5x5,5cm)
No. 12-05508245-65



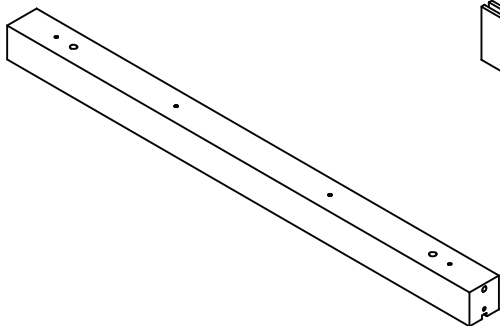
4 Leg x2 (82,4x5,5x5,5cm)
No. 12-05508246-65



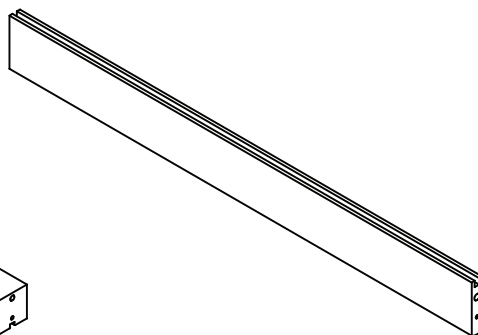
5 Slat x36 (89,7x5,5x1,1cm)
No. 12-01108971



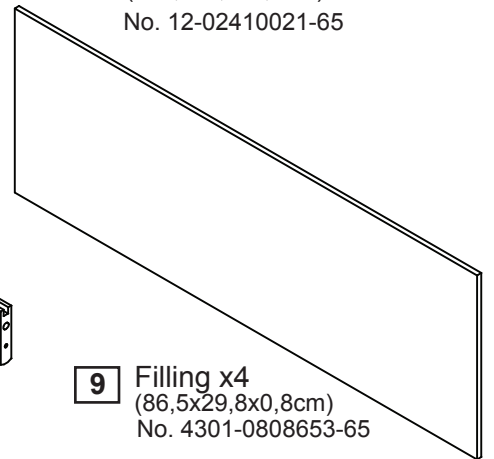
6 Top rail x2
(100,2x8,2x2,4cm)
No. 12-02410021-65



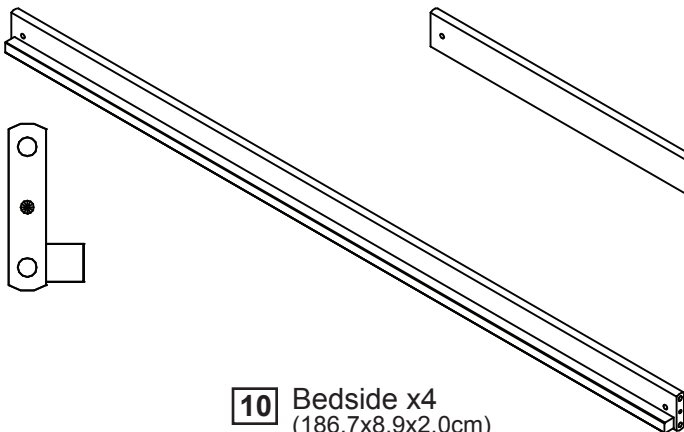
7 Endrail x2
(86,5x5,5x5,5cm)
No. 12-05508651-65



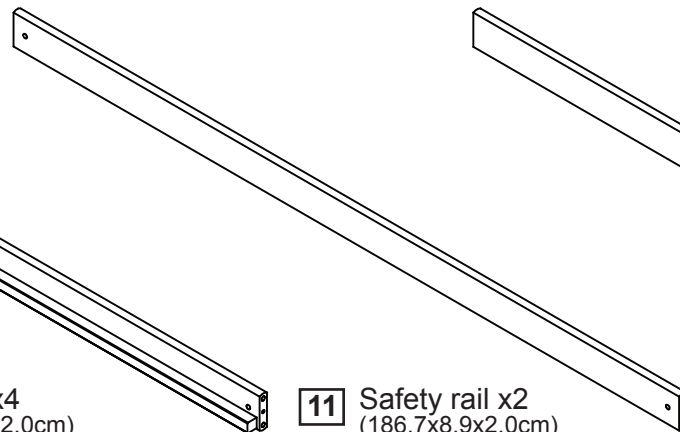
8 Endrail x4
(86,5x8,9x2,0cm)
No. 12-020086510-65



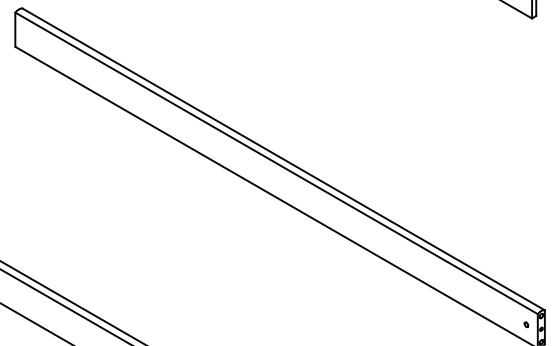
9 Filling x4
(86,5x29,8x0,8cm)
No. 4301-0808653-65



10 Bedside x4
(186,7x8,9x2,0cm)
No. 1305-186710-65



11 Safety rail x2
(186,7x8,9x2,0cm)
No. 12-02018672-65

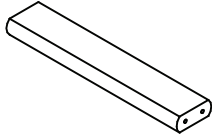


12 Safety rail x2
(146,6x8,9x2,0cm)
No. 12-02014661-65

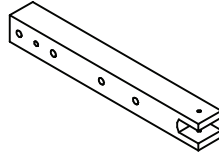
Components - Parts

If you have damaged or missing components,
call the **Customer Helpline: 0045 7668 8055**

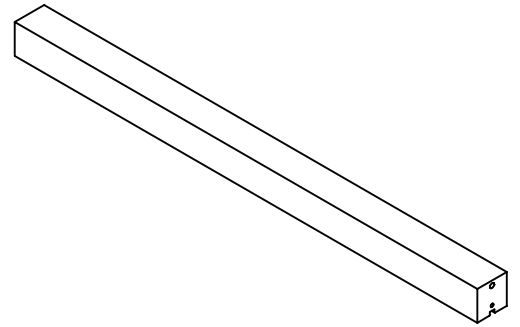
Please check you have all the parts listed below



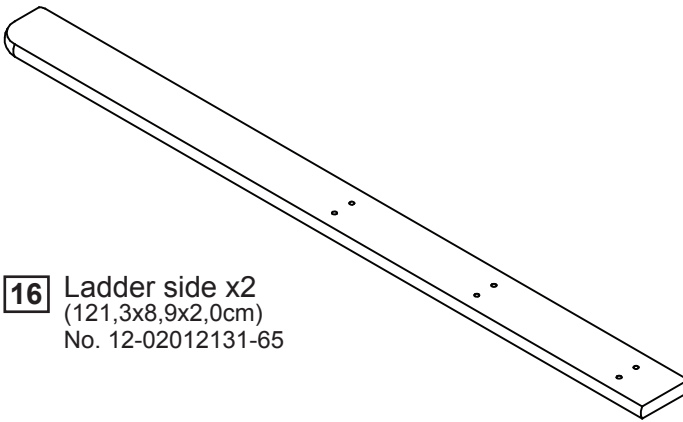
13 Tread x3
(31,8x6,5x2,6cm)
No. 12-02603182-65



14 Short post x1
(35,3x4,3x4,3cm)
No. 12-04303531-65



15 Endrail x2
(86,5x5,5x5,5cm)
No. 12-05508652-65




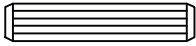

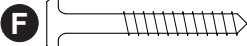
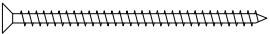
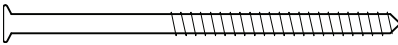
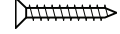
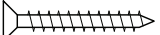
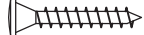


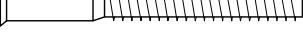


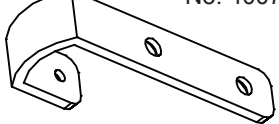
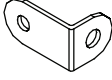
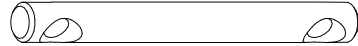


16 Ladder side x2
(121,3x8,9x2,0cm)
No. 12-02012131-65

Components - Fittings

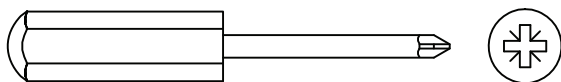
Please check you have all the fittings listed below

Note: The quantities below are the correct amount to complete the assembly. In some cases more fittings may be supplied than are required.

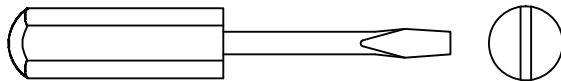
<p>A  No. 3913-06100 M6x100mm Connecting bolt x14</p>	<p>B  No. 3922-06014 M6 ø10x14mm Barrel nut x14</p>	<p>C  No. 3902-40030 4,0x30mm Chipboard screw x72</p>
<p>D  No. 3930-10050 10x50mm Dowel x44</p>	<p>E  No. 3930-08050 8x50mm Dowel x8</p>	<p>F  No. 3909-63050 6,3x50mm Assembly screw x4</p>
<p>G  No. 3901-40070 4,0x70mm Chipboard screw x8</p>	<p>H  No. 3909-631051 6,3x105mm Assembly screw x16</p>	<p>I  No. 3901-30020 3,0x20mm Chipboard screw x4</p>
<p>J  No. 3901-40030 4,0x30mm Chipboard screw x10</p>	<p>K  No. 3903-40025 4,0x25mm Chipboard screw x2</p>	<p>L  No. 3907-63022 6,3x22mm Euro screw x2</p>
<p>M  No. 3908-70050 7,0x50mm Confirmat screw x12</p>	<p>N  No. 3908-70080 7,0x80mm Confirmat screw x1</p>	<p>O  No. 3938-000081-19 Ø8mm Cover cap x24</p>
<p>P  No. 3938-00010-19 Ø10 Cover cap x28</p>	<p>Q  No. 4007-024 Bracket x4</p>	<p>R  No. 4008-020 27,5x17x15mm Angle x2</p>
<p>S  No. 3934-10100 Ø10x100mm Connecting double bolt x4</p>		

Tools required

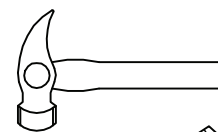
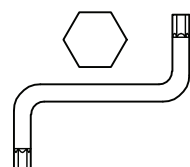
Phillips screwdriver (medium)



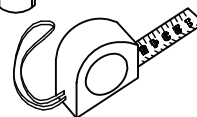
Flatblade screwdriver (medium)



Allen key 4mm incl. No. 4033-004



Small hammer



Ruler/tape measure



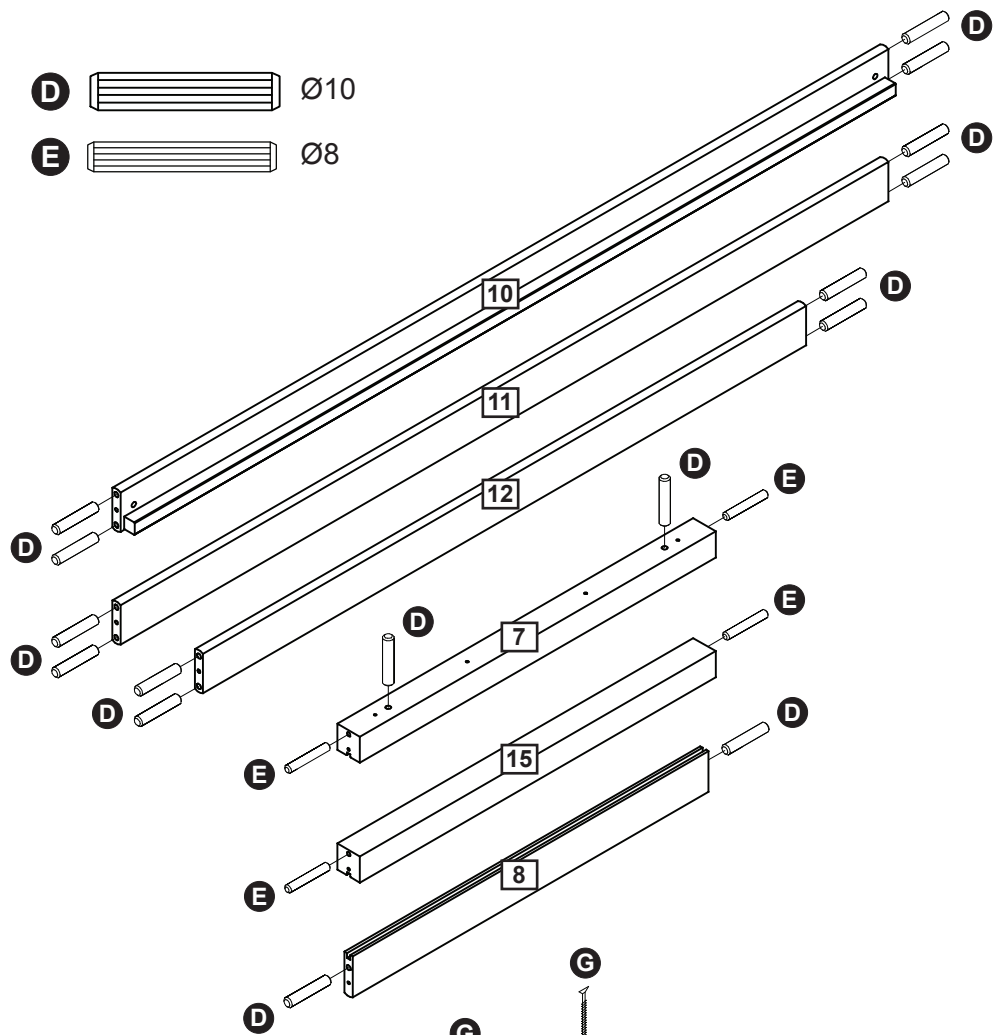
Eye protection (when using a hammer or glue)

Assembly Instructions

Step 1

Insert the dowels **D** into the holes in bedside **10**, safety rails **11** and **12** and endrails **8** and **7**. Insert $\varnothing 8$ dowels **E** into the holes in endrail **7** and **15**.

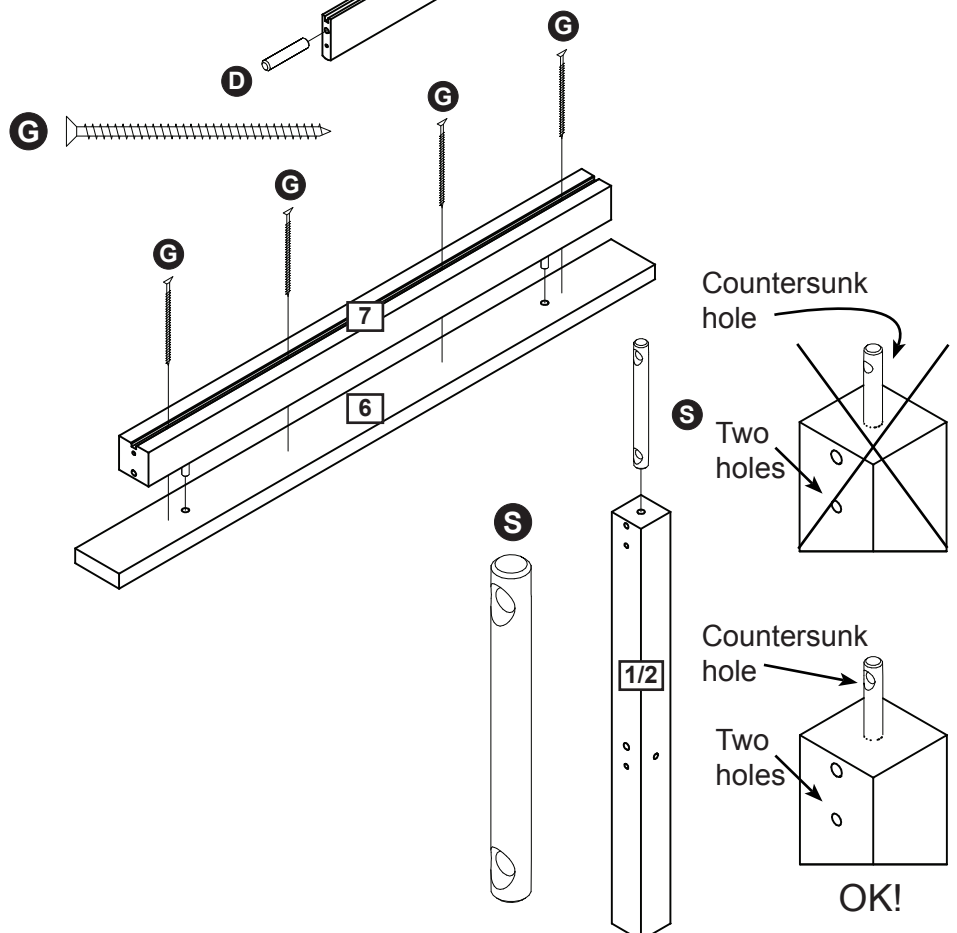
It may be necessary to tap the dowels in very gently with a small hammer.



Step 2

Attach endrails **7** to top rails **6** using screws **G**.

Don't overtighten.



Step 3

Insert connecting bolts **S** into the holes in all legs **1** and **2**.

Turn the the bolts to follow the bottom through hole in the legs.

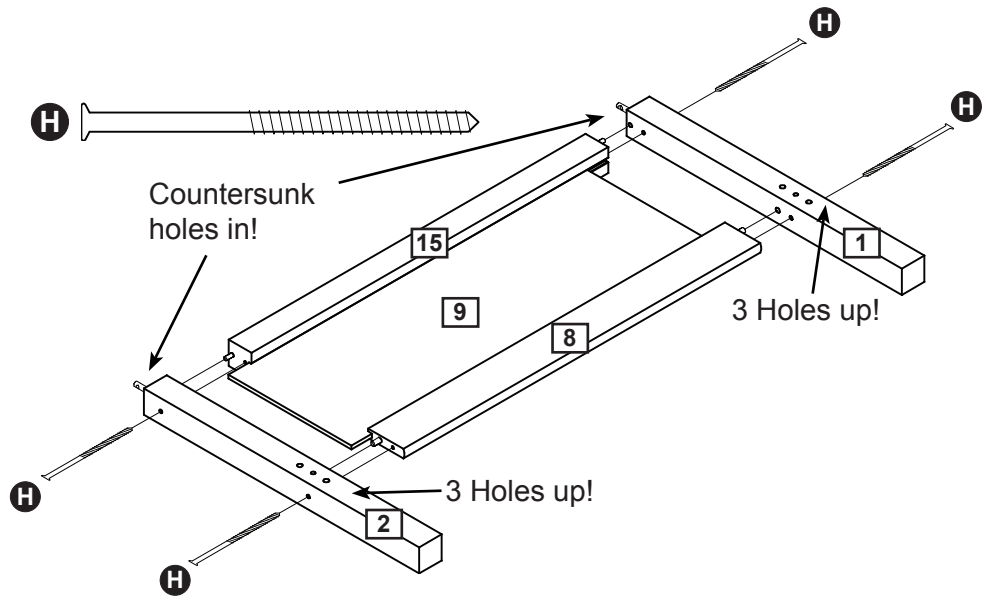
The countersunk hole must face the side of the leg with 2 holes at the top.

Assembly Instructions

Step 4

Assemble the ends of the lower bed by placing endrails **15** and **8** and filling **9** between legs **1** and **2**.

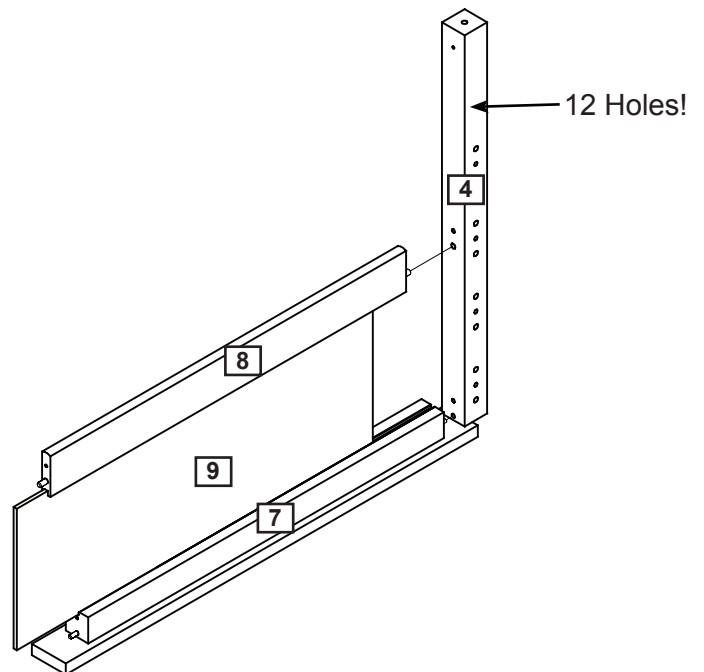
Insert assembly screws **H** into the holes in legs **1** and **2**. Fasten with the allen key. Don't overtighten.



Step 5

Assemble the ends of the upper bed by attaching leg **4** to endrail **7** using the inserted dowel only.

Attach endrail **8** and filling **9** to leg **4** using the inserted dowel only.

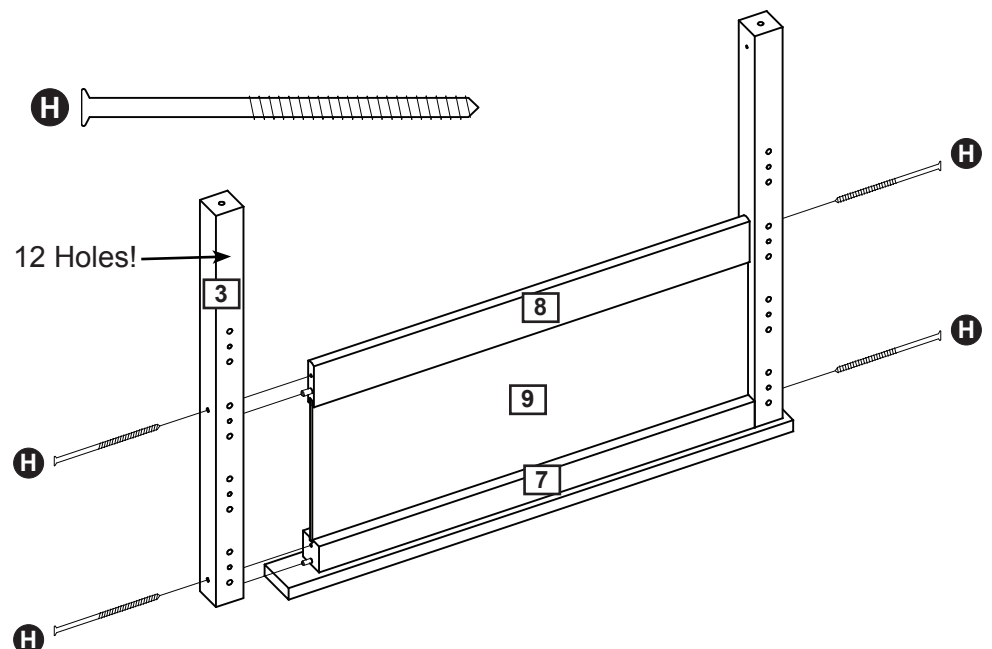


Step 6

Attach leg **3** to the two endrails **8** and **7** using the inserted dowels only.

Insert assembly screws **H** and fasten with the allen key.

Don't overtighten.

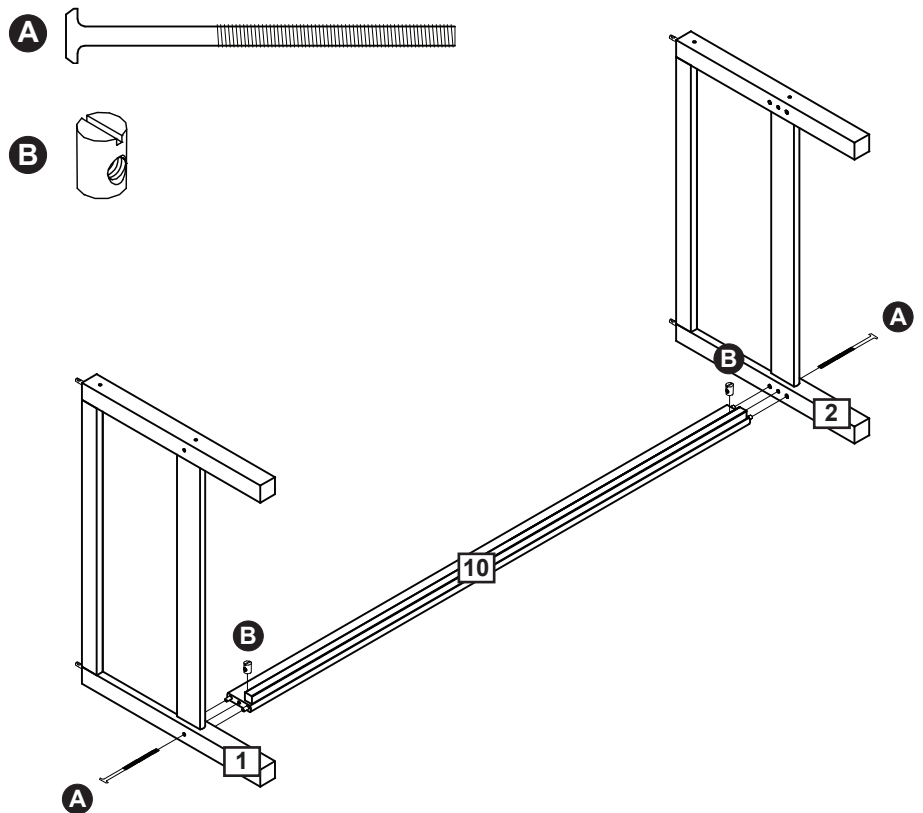


Assembly Instructions

Step 7

Attach bedside **10** to the lower bed by placing the dowels into the holes in legs **1** and **2**.

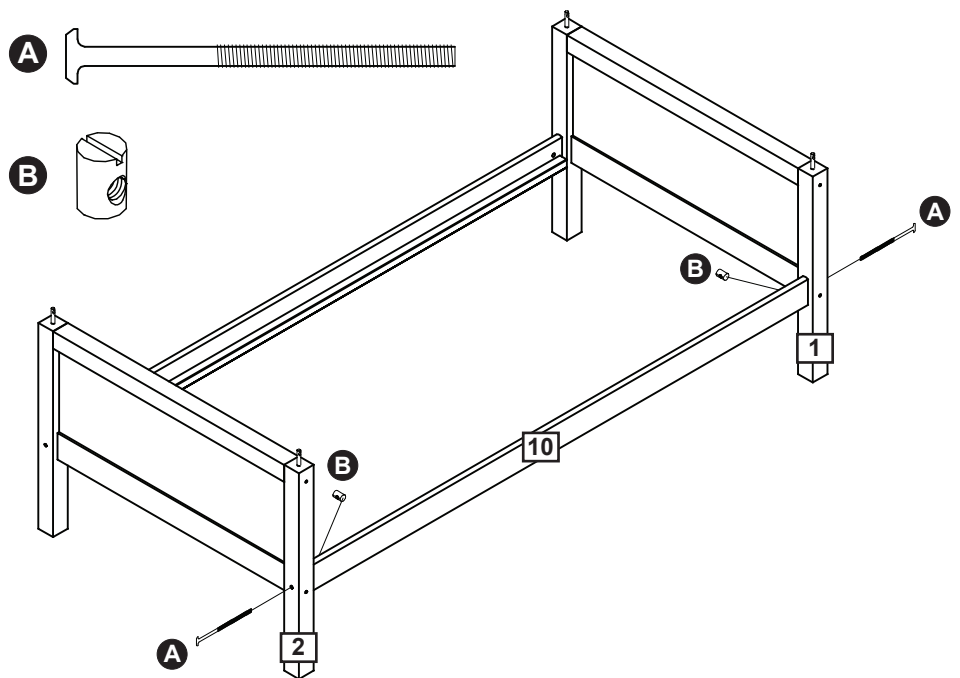
Push 2 barrel nuts **B** into the small holes in bedside **10**. Push 1 connecting bolt **A** through legs **1** and **2** to meet the barrel nuts **B** and fasten with the allen key.



Step 8

Attach the second bedside **10** to the bed by placing the dowels into the holes in legs **1** and **2** as in the previous step.

Push 2 barrel nuts **B** into the small holes in bedside **10**. Push 1 connecting bolt **A** through legs **1** and **2** to meet the barrel nuts **B** and fasten with the allen key.

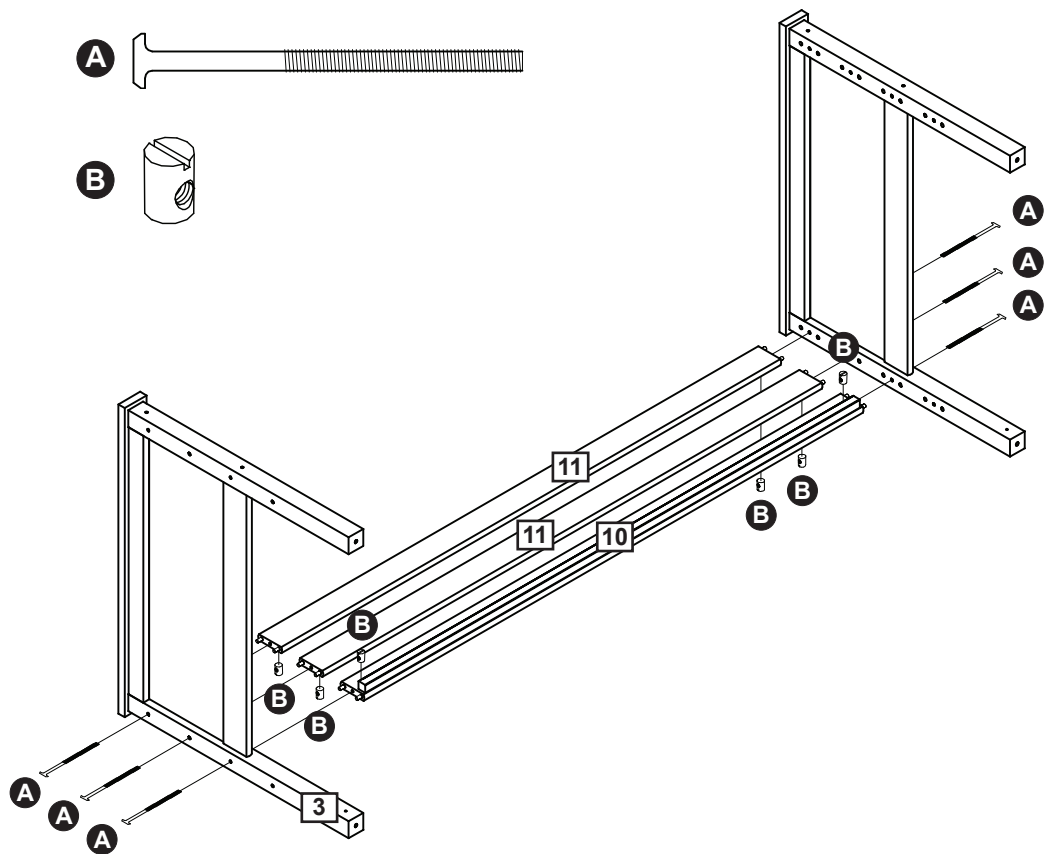


Assembly Instructions

Step 9

Attach bedside **10** and safety rails **11** to the upper bed by placing the dowels into the holes in legs **3** and **4**.

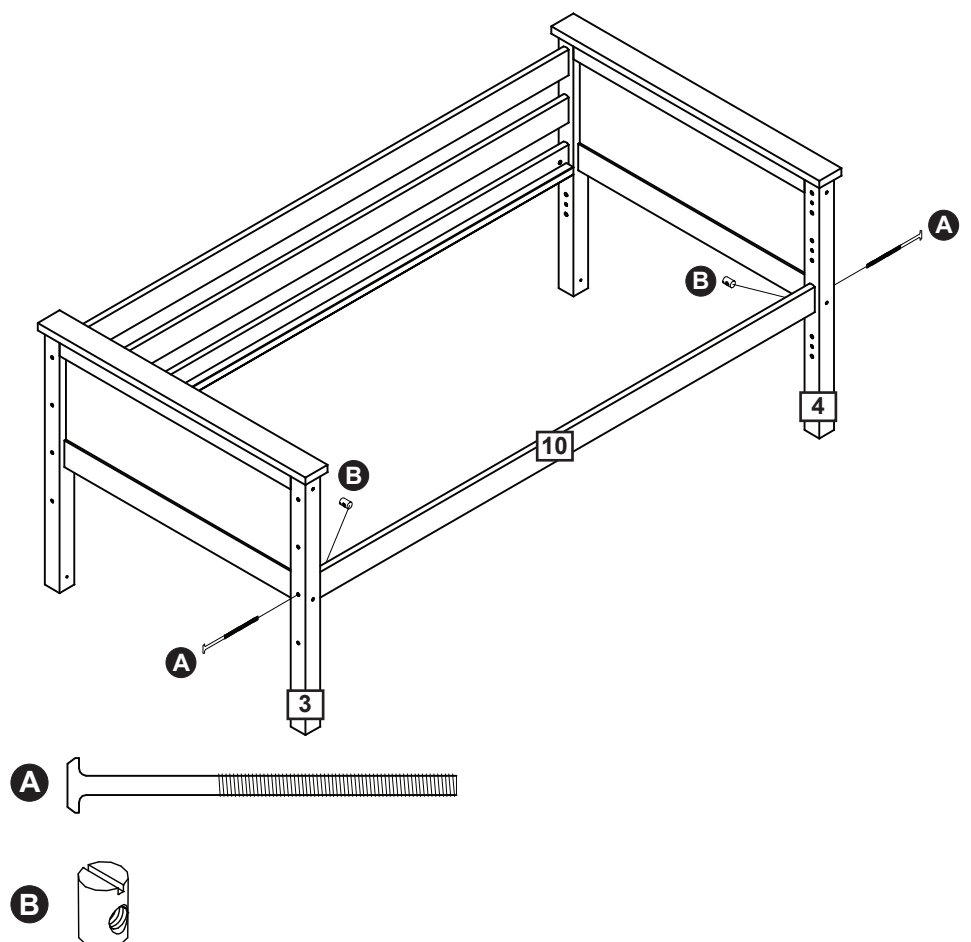
Push 2 barrel nuts **B** into the small holes in bedside **10** and safety rails **11**, note that the barrel nuts should be facing outwards on the safety rails. Push 1 connecting bolt **A** through legs **3** and **4** to meet the barrel nuts **B** and fasten with the allen key.



Step 10

Attach the second bedside **10** to the bed by placing the dowels into the holes in legs **3** and **4** as in the previous step.

Push 2 barrel nuts **B** into the small holes in bedside **10**. Push 1 connecting bolt **A** through legs **3** and **4** to meet the barrel nuts **B** and fasten with the allen key.



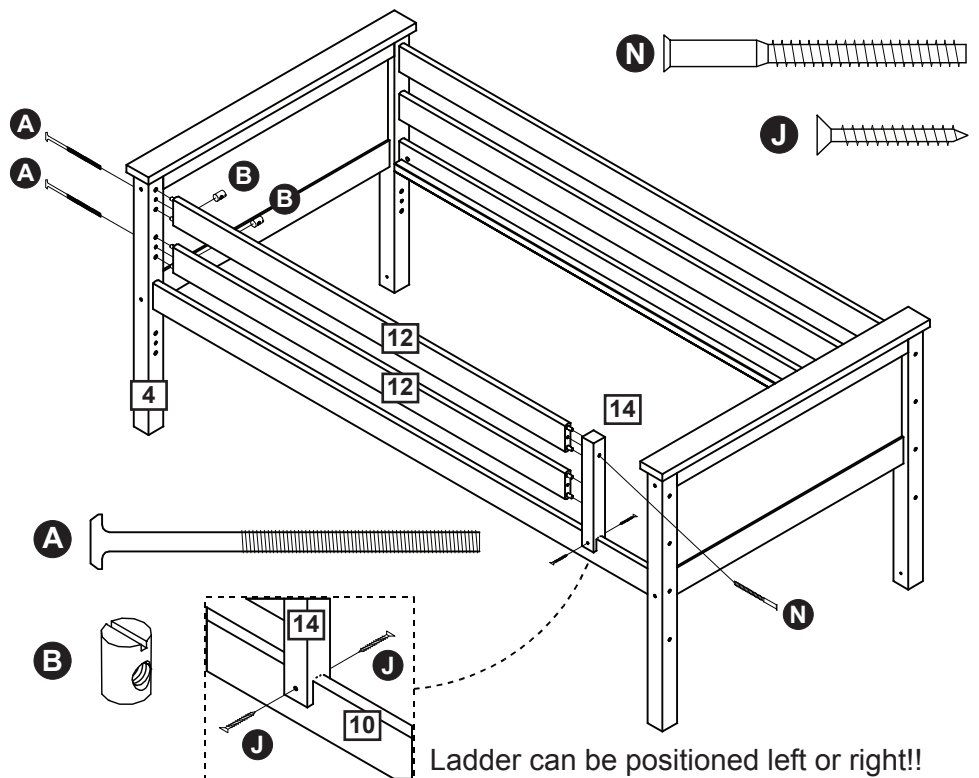
Assembly Instructions

Step 11

Attach safety rails **12** to the upper bed by placing the dowels into the holes in leg **4**.

Push 2 barrel nuts **B** into the small holes in safety rails **12**. Push 1 connecting bolt **A** through legs **4** to meet the barrel nuts **B** and fasten with the allen key.

Attach short post **14** to the bed by placing the dowels in safety rails **12** into the holes in short post **14**. Insert screw **N** into the hole in short post **14** and fasten with the allen key. Don't overtighten. Attach the short post **14** to the bedside **10** using the screws **J**.

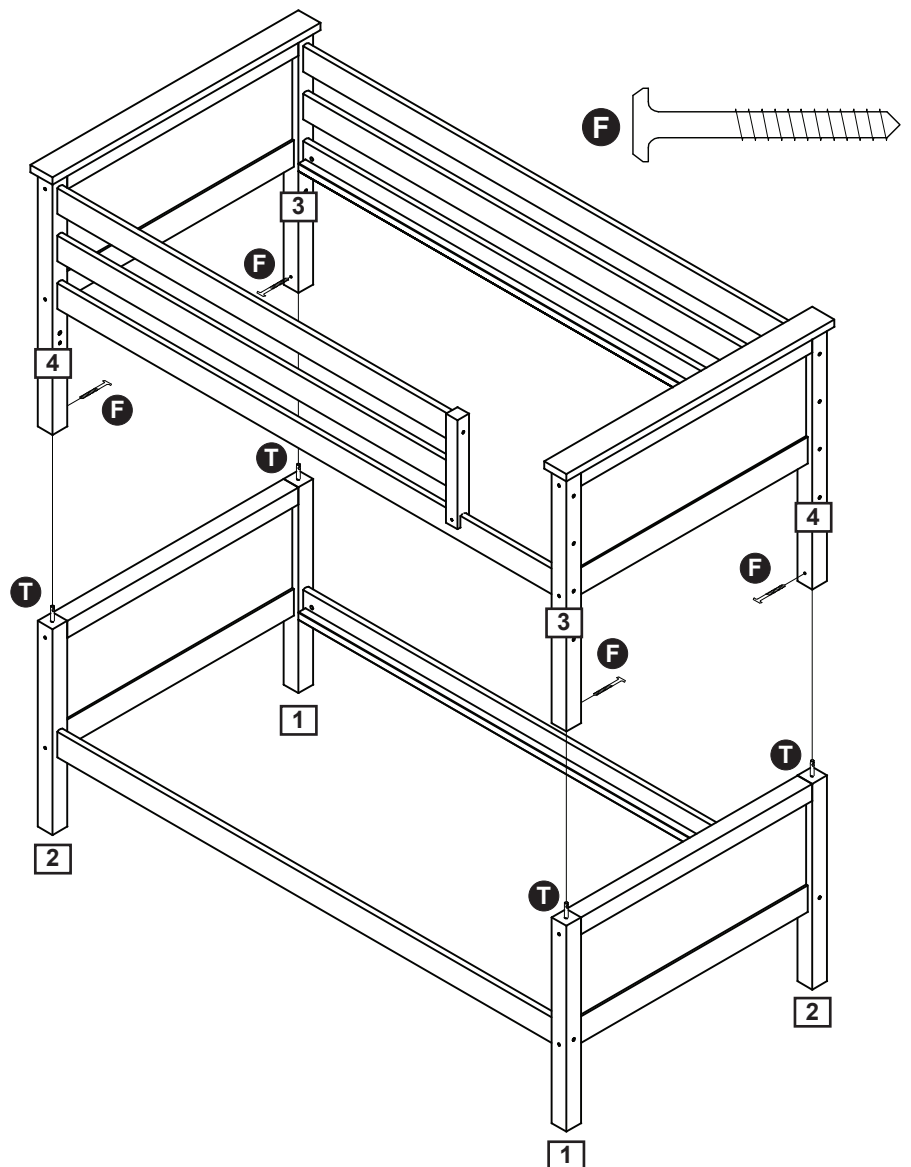


Step 12

Attach the 2 beds by placing one bed (with the legs **3** and **4**) on top of the other bed.

Secure the two beds by fastening the connecting bolts **S** with assembly screws **F** through the holes in legs **3** and **4**.

Fasten with the allen key, don't overtighten.



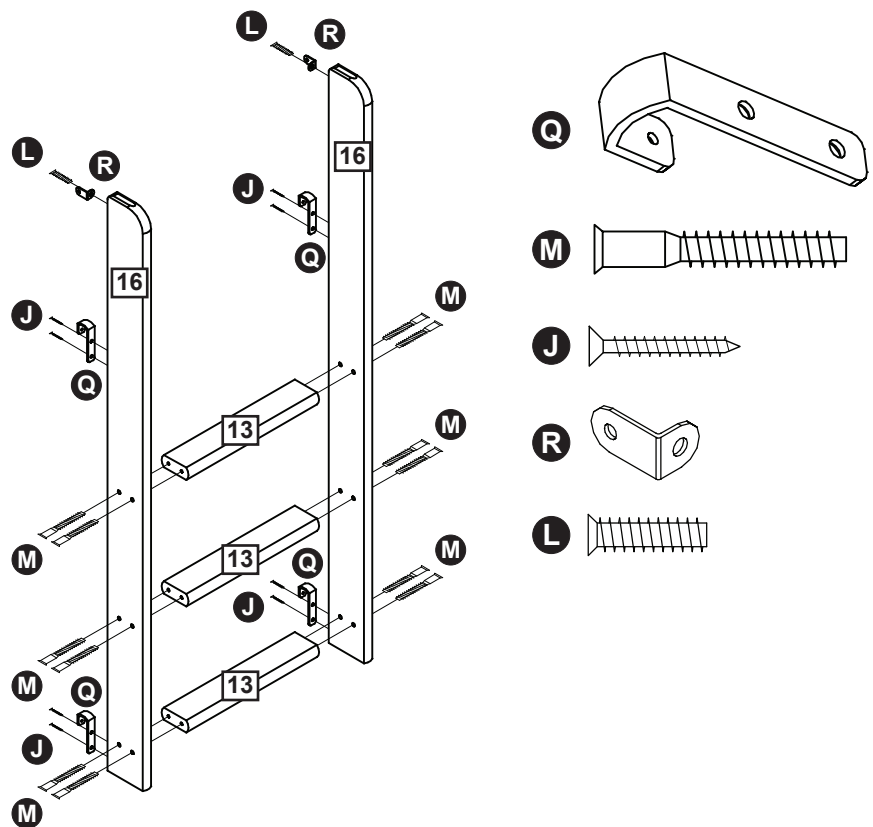
Assembly Instructions

Step 13

Attach the treads **13** to the ladder sides **16** using the screws **M**.

Attach brackets **Q** to the ladder sides **16** using the screws **J**.

Attach angles **R** to the ladder sides **16** using the screws **L**.

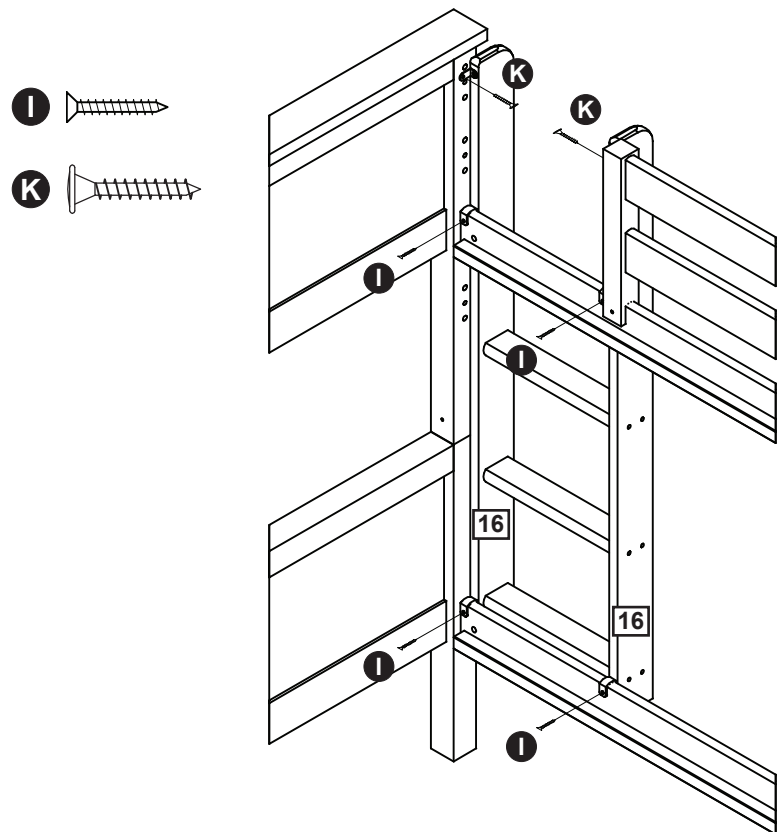


Step 14

Place the assembled ladder into the bed.

Fasten brackets **Q** to the bedside **10** using the screws **I**.

Attach the ladder to the leg and short post using screws **K** through the angles **R**.



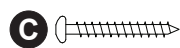
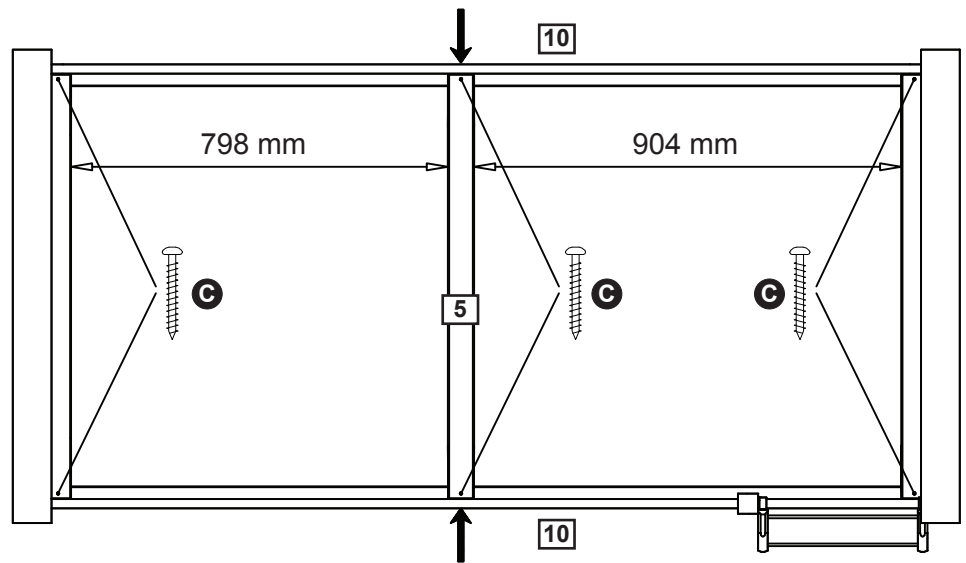
Assembly Instructions

Step 15

Place two slats **5** in the ends of the bed, against the legs. Fasten with four chipboard screws **C**.

Place one slat **5** in the bed. Follow the measurements.

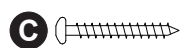
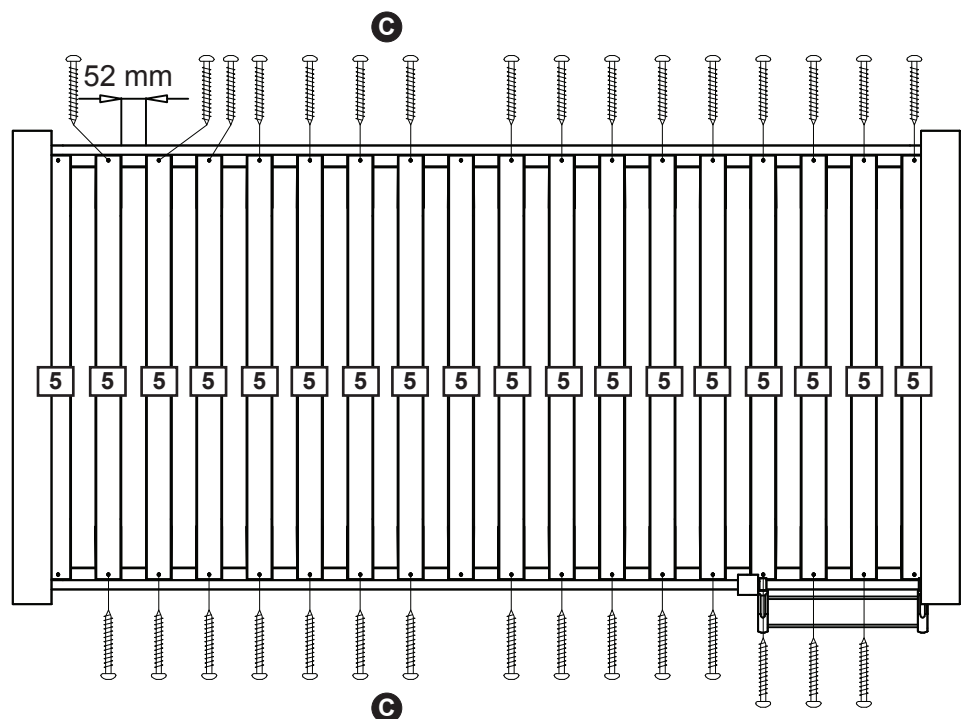
Push the bedsides **10** together whilst attaching middle slat **5** to the bed with two chipboard screws **C**.



Step 16

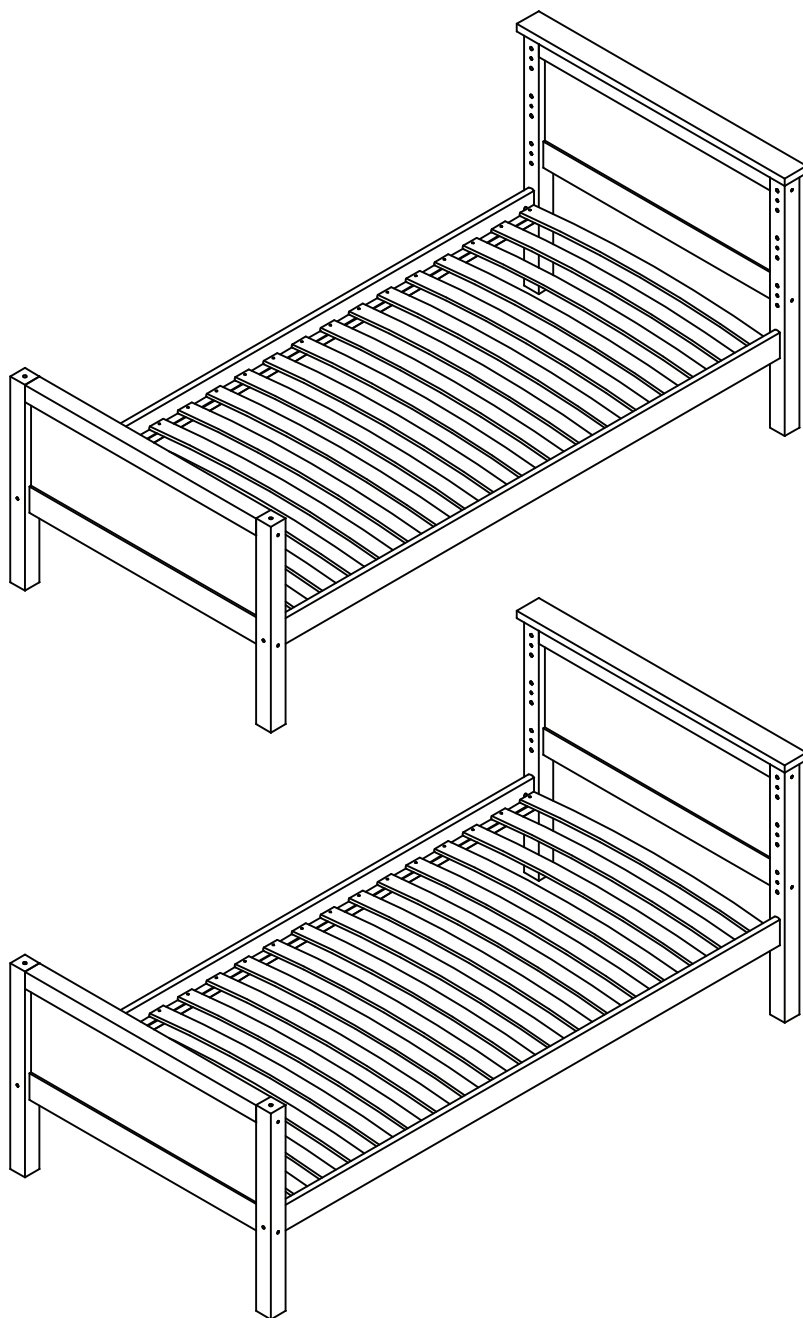
Position the remaining fifteen slats **5** in the bed with an approximate distance of 52 mm between each.

Fasten each slat with two screws **C**.



Assembly Instructions

Note: To achieve the single bed look shown on the illustration, one end of the upper bunk bed (legs **3**, **4**) should be swapped with the lower bunk (legs **1** and **2**).



If you need help or have damaged or missing parts, call the **Customer Helpline: 0045 7668 8055**
E-mail: order@flexa.dk

Your 2 Year Guarantee

Peace Of Mind

Knowing Your Furniture Is Protected

Protection received within the Manufacturer's Guarantee	Optional Added Protection with Furniture Care
Covers you for manufacturing defects for 2 years.	Covers you for accidental damage up to 3 years for incidents such as household spills, rips, tears and burns. Accidental damage cover begins from the moment your plan starts.
In the event of a problem within this time please call 0345 640 0800 , or visit an Argos store. Please retain your receipt and order number as proof of purchase.	If you want to purchase Furniture Care visit https://argos.productaftercare.co.uk or go into an Argos store.
Key exclusions applying to both the Manufacturer's Guarantee and Furniture Care include where the fault is due to misuse, abuse, deliberate damage, wear and tear, neglect, use in contravention with the instructions, or if the product has been the subject of unauthorised alterations or commercial use (for full list of exclusions please visit https://argos.productaftercare.co.uk or visit an Argos store for more information). You have up to 45 days post purchase to take out Furniture Care. Terms and conditions apply. Your statutory rights remain unaffected.	

Register

For Your Manufacturer's Guarantee

Thank you for choosing Argos Home.
We hope you love your shiny new things!

To provide you with the best possible after sales service, don't forget to visit **<https://argos.productaftercare.co.uk>** where you can **register** for your guarantee.

Once you've registered, you can upload your receipt to store safely online, alongside details of our after sales support service, ready at hand should you need it.

You can also take out Furniture Care which protects you against accidental damage, from the moment you take the plan out, to keep your new furniture looking newer for longer.

Register Today

<https://argos.productaftercare.co.uk>