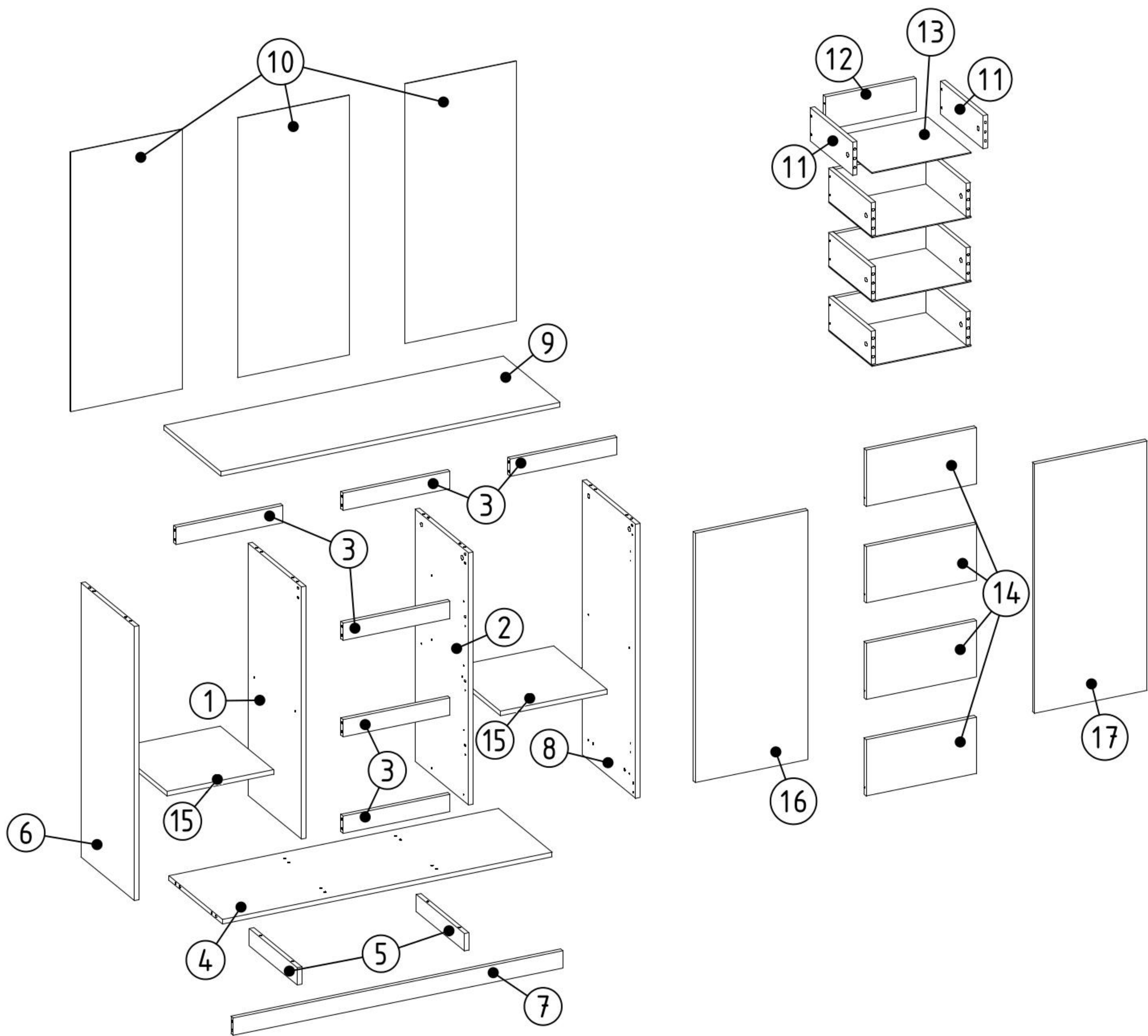


<b>S5</b>  2,5x20 x 10	<b>F2</b>  x 4	<b>A0</b>  x 4	<b>N3</b>  L=76 x 2		
 x 1	<b>K1</b>  x 1	<b>Z4</b>  x 10	 x 1		
<b>N2</b>  L=30,3 x 30	<b>M3</b>  x 34	<b>E4</b>  x 16	<b>S1</b>  3,5x16 x 24	<b>E1</b>  8x35 x 38	<b>D2</b>  x 8
<b>T1</b>  x 8	<b>Z2</b>  x 80	<b>P3</b>  L=350 x 4	<b>S15</b>  6x8 x 16	<b>M2</b>  x 8	<b>E3</b>  8x70 x 6



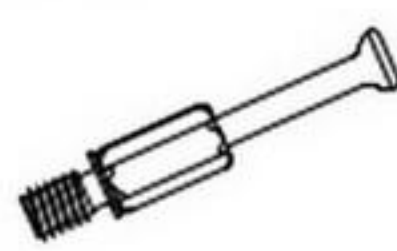

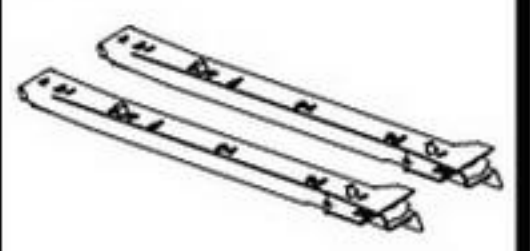

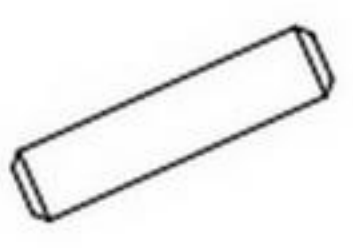
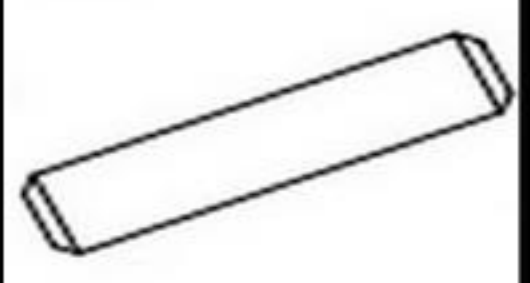


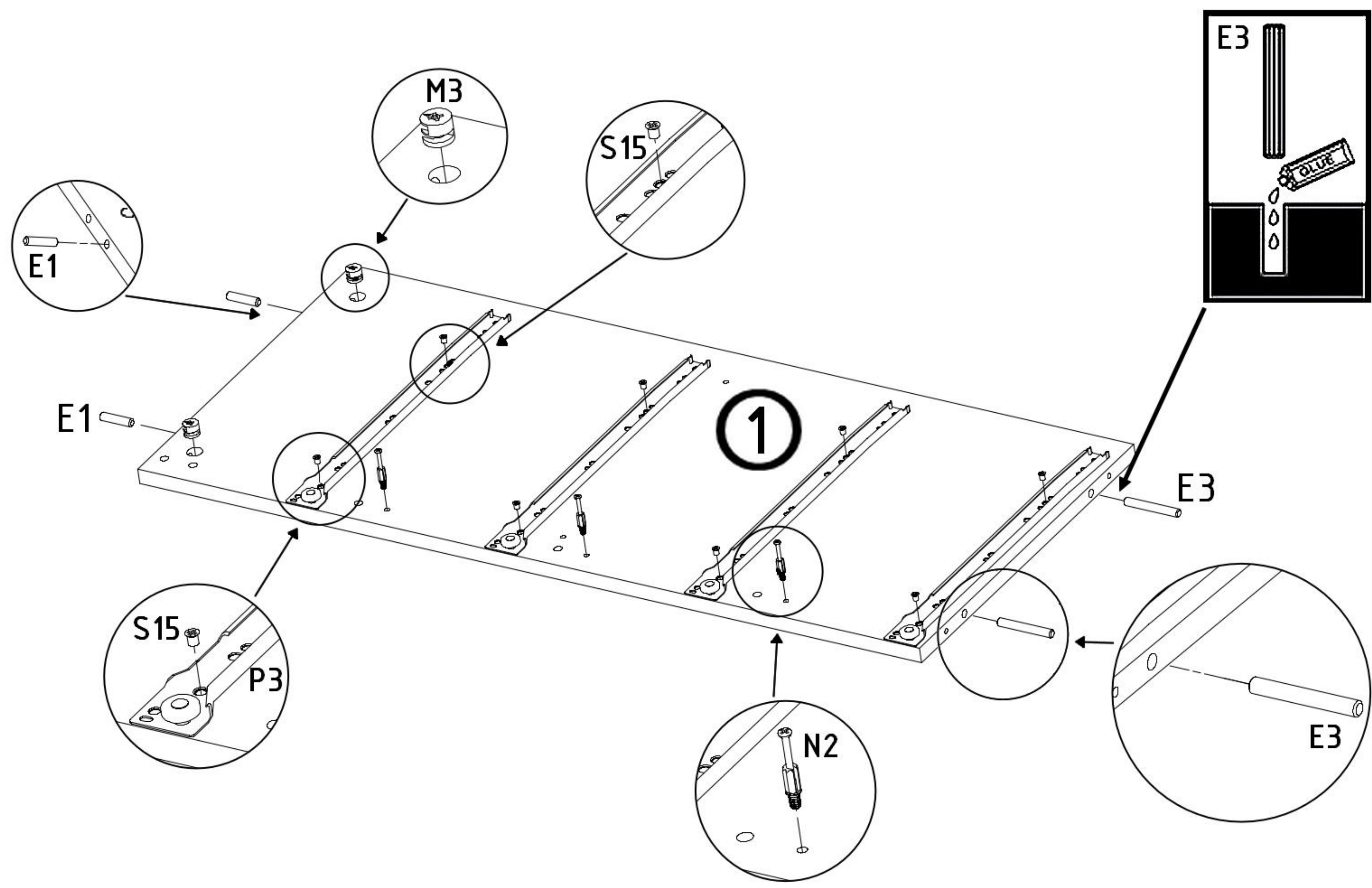
<b>1</b>	x 1
<b>2</b>	x 1
<b>3</b>	x 6
<b>4</b>	x 1
<b>5</b>	x 2
<b>6</b>	x 1
<b>7</b>	x 1


<b>8</b>	x 1
<b>9</b>	x 1
<b>10</b>	x 3
<b>11</b>	x 8
<b>12</b>	x 4
<b>13</b>	x 4
<b>14</b>	x 4

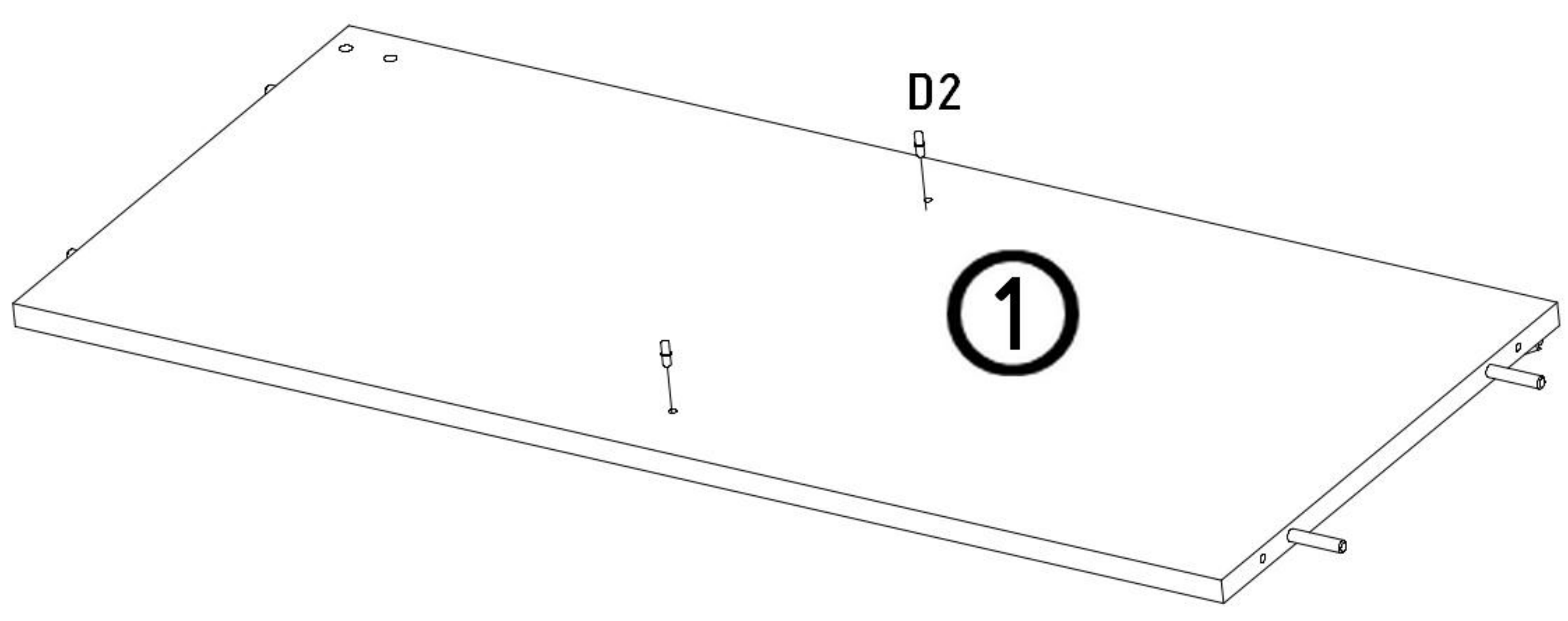
<b>15</b>	x 2
<b>16</b>	x 1
<b>17</b>	x 1



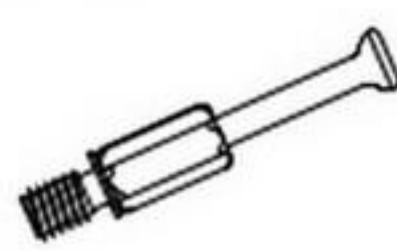

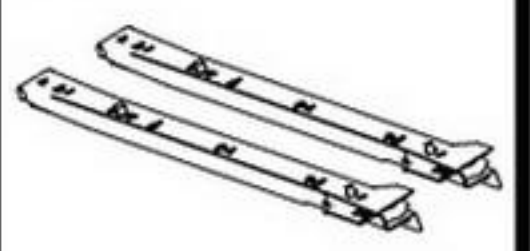



<b>N2</b>  L=30,3 x 3	<b>M3</b>  x 2	<b>P3</b>  L=350 x 4	<b>S15</b>  6x8 x 8	<b>E1</b>  8x35 x 2	<b>E3</b>  8x70 x 2
---	---	---	--	--	--

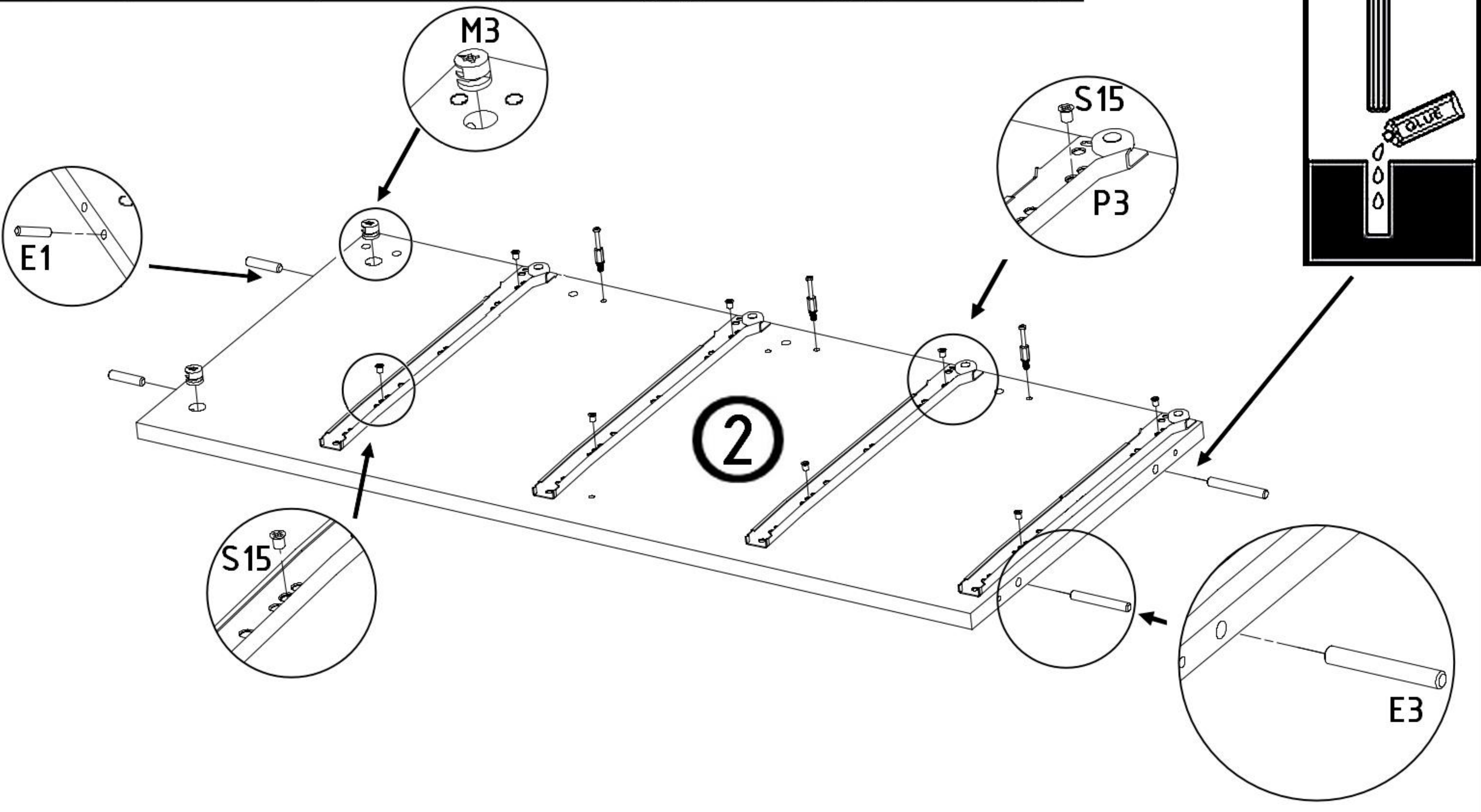



<b>D2</b>  x 2
---

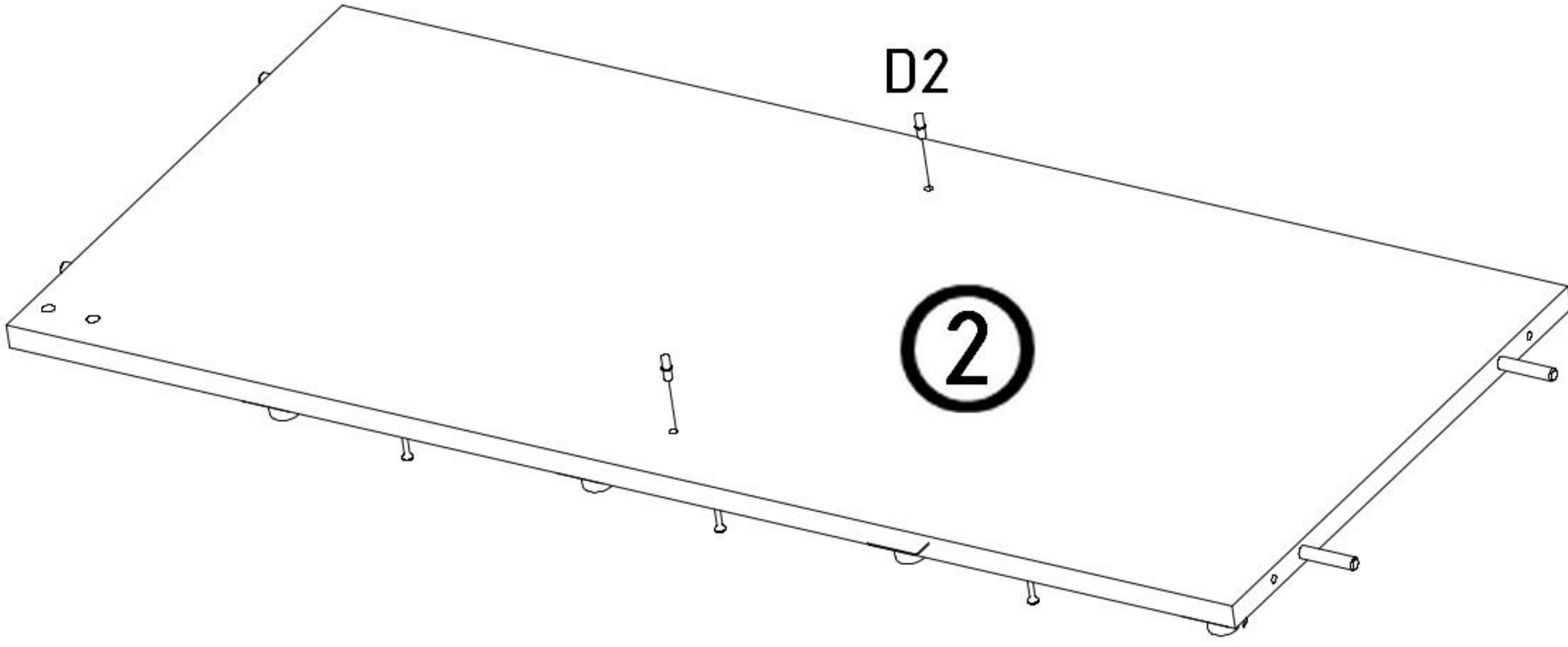




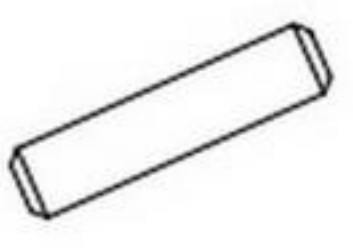

<b>N2</b>  L=30,3 x 3	<b>M3</b>  x 2	<b>P3</b>  L=350 x 4	<b>S15</b>  6x8 x 8	<b>E1</b>  8x35 x 2	<b>E3</b>  8x70 x 2
---	---	---	--	--	--

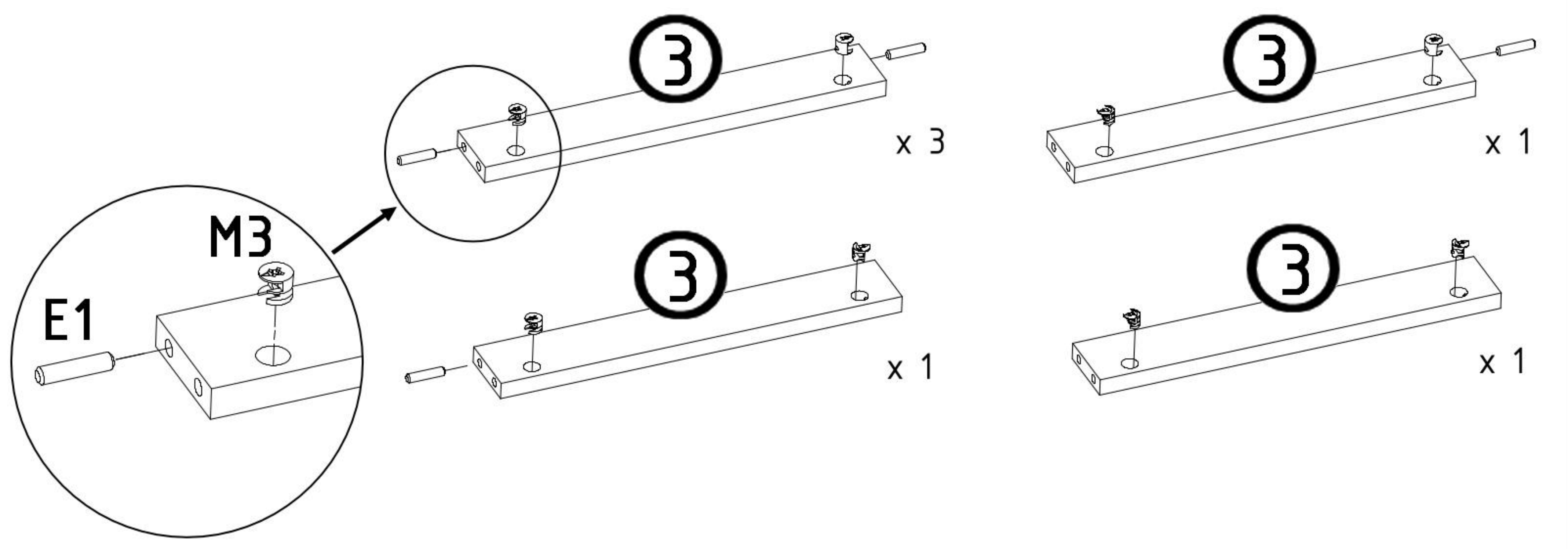




<b>D2</b>  x 2
---

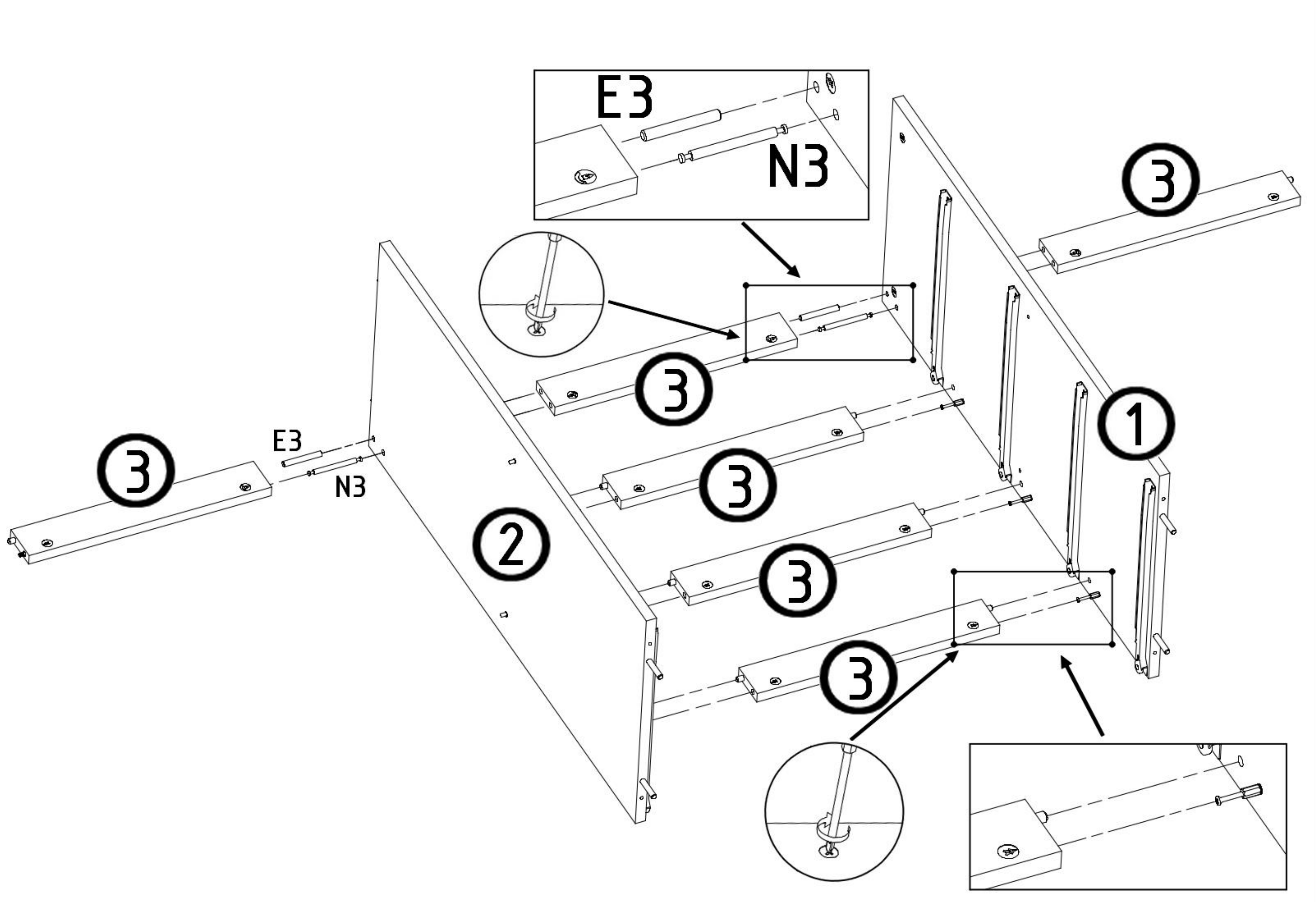






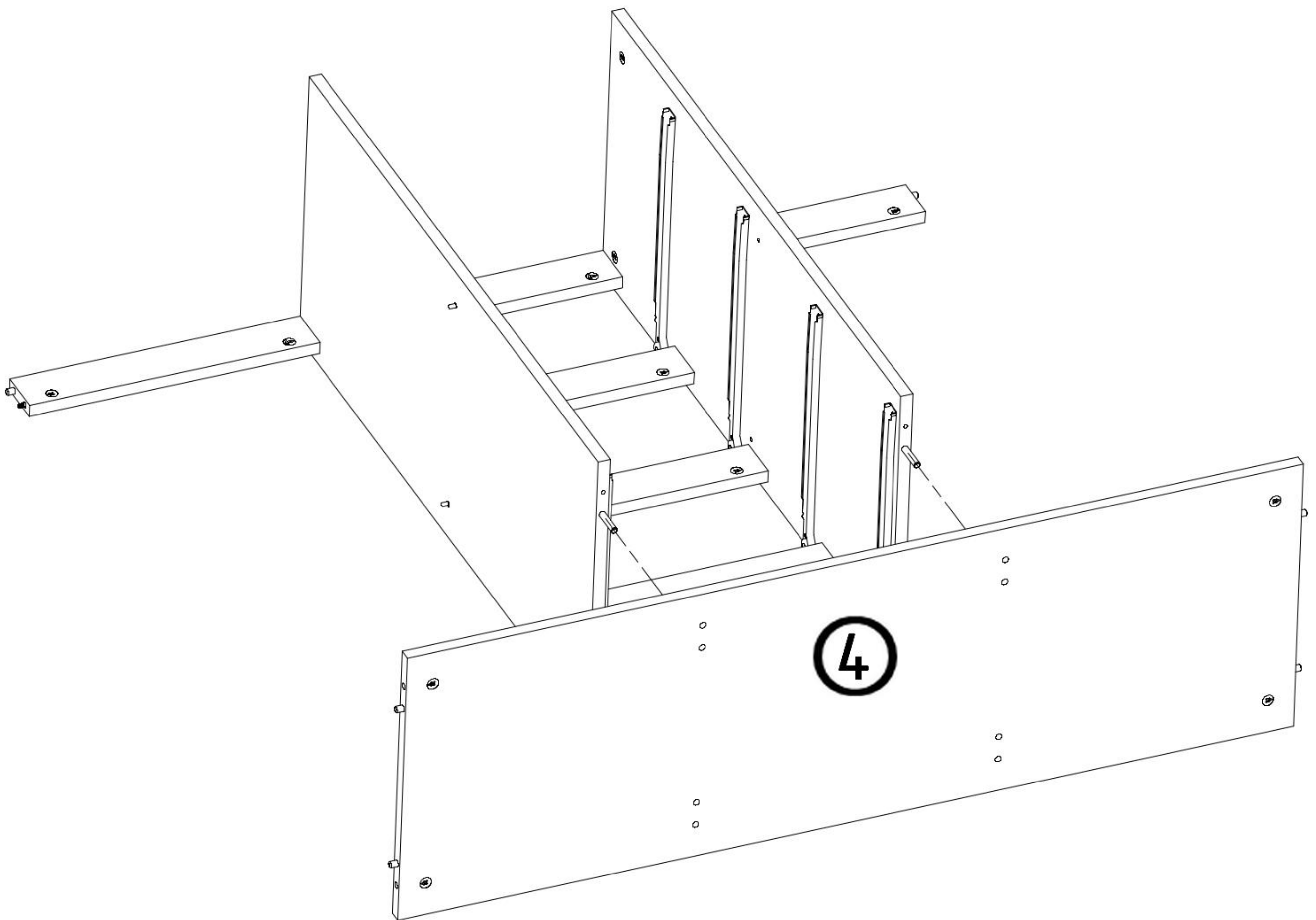
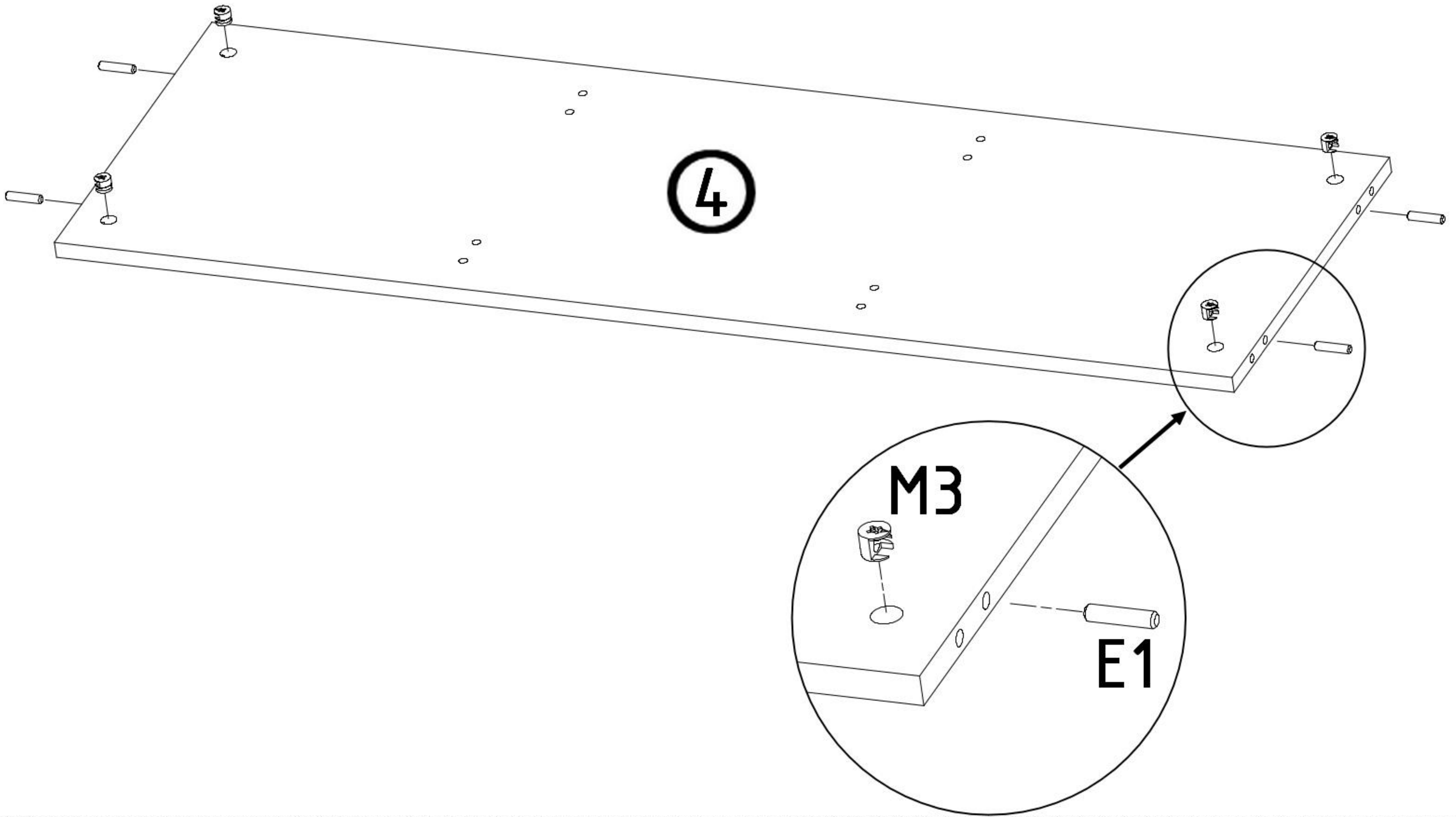
<b>E1</b>  8x35	<b>M3</b>  x 12
<b>x 8</b>	<b>x 12</b>



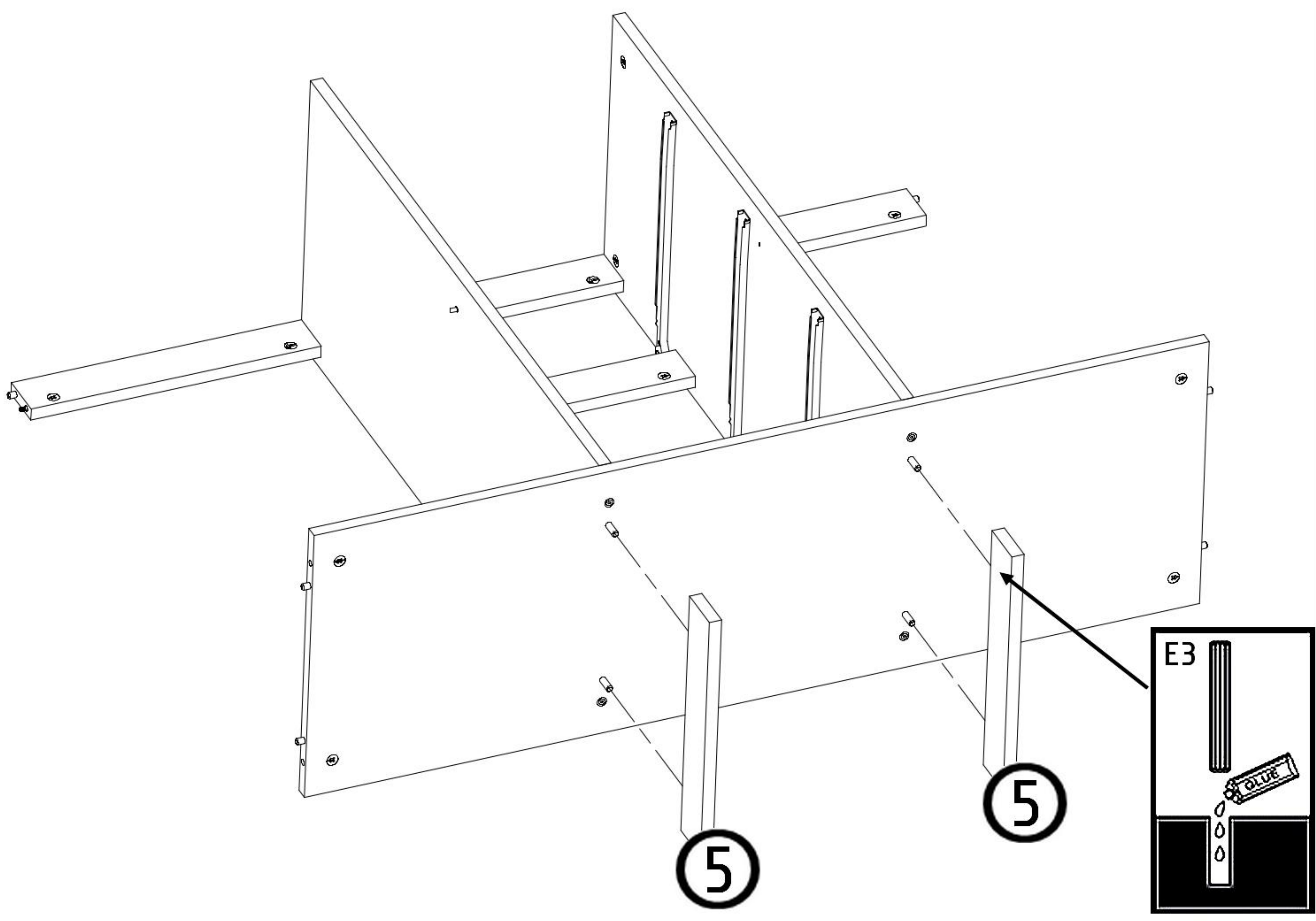
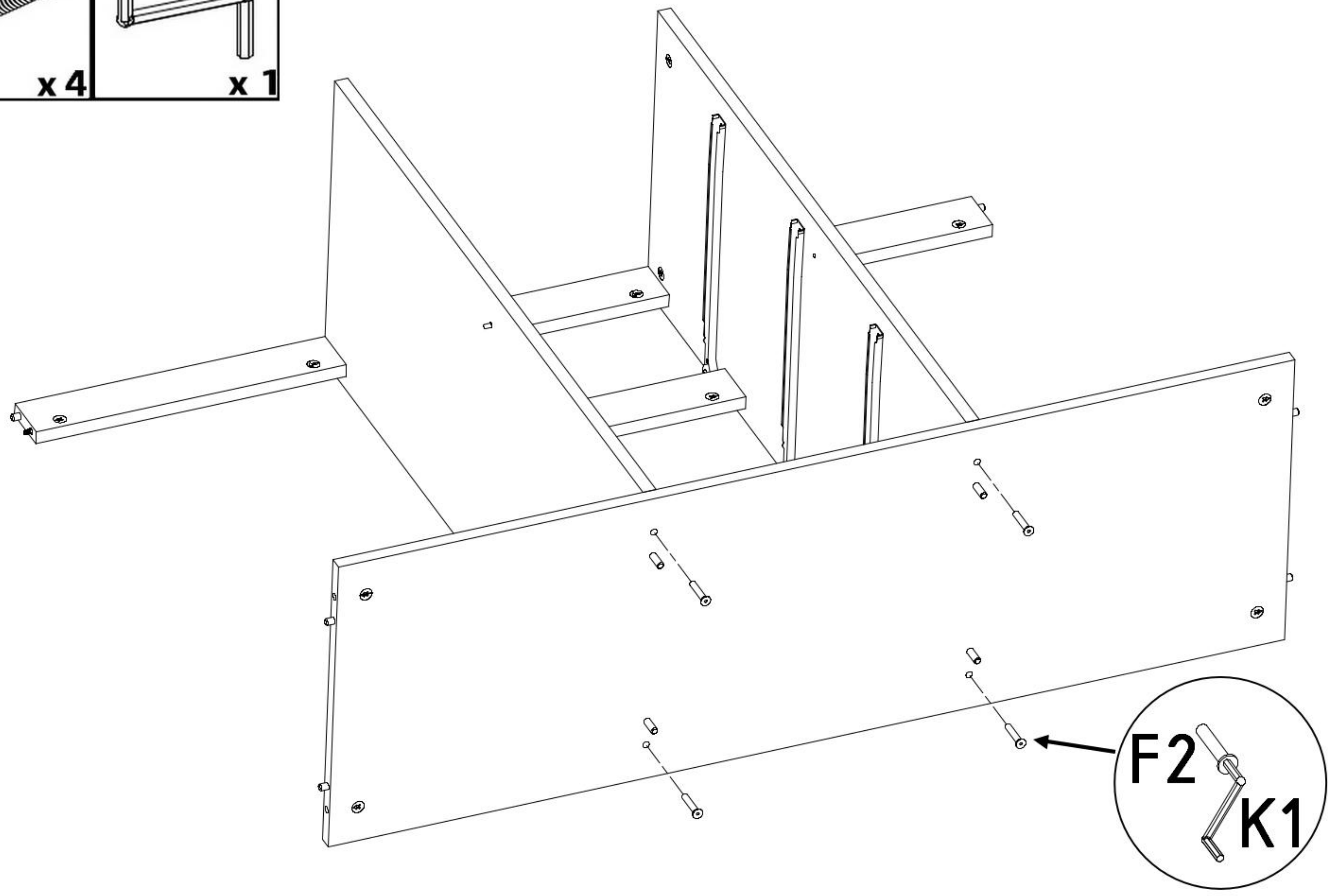
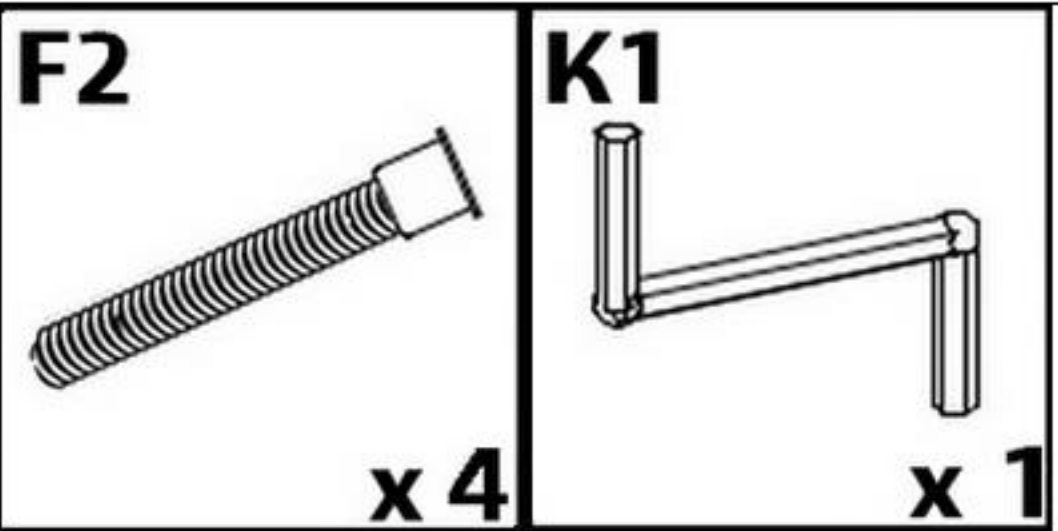
<b>N3</b>  L=76	<b>E3</b>  8x70
<b>x 2</b>	<b>x 2</b>

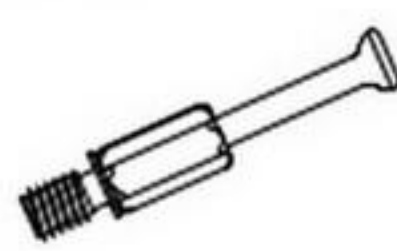





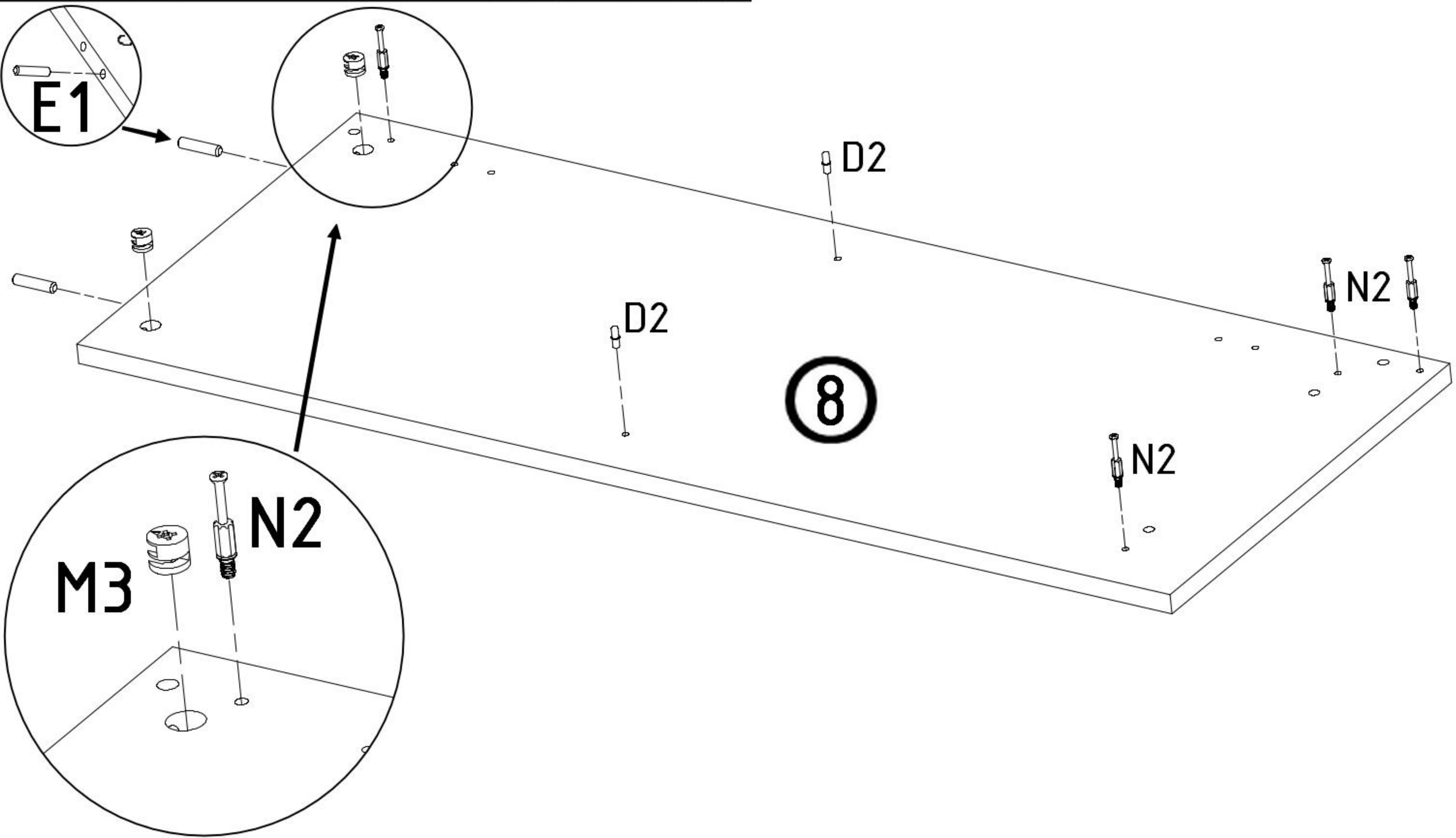
<b>E1</b>  8x35	<b>M3</b>  x 4
<b>x 4</b>	<b>x 4</b>







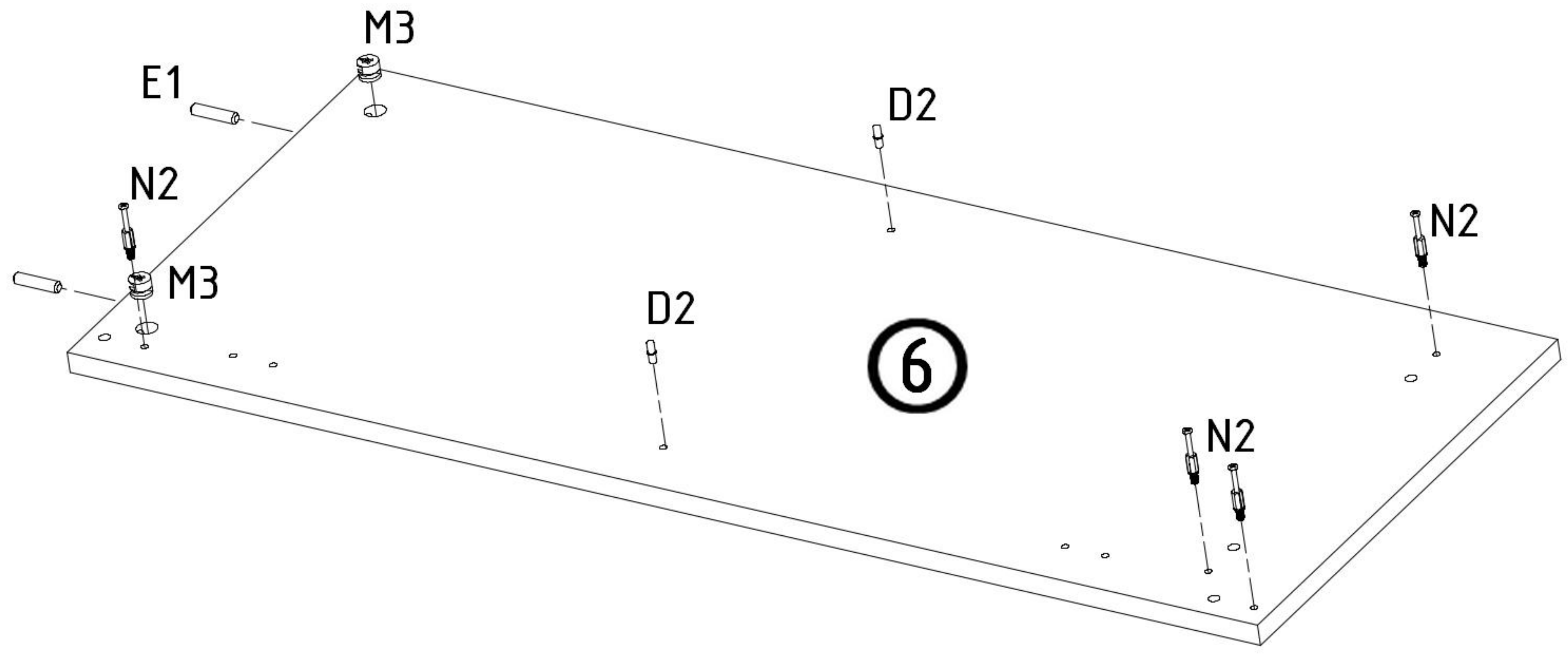




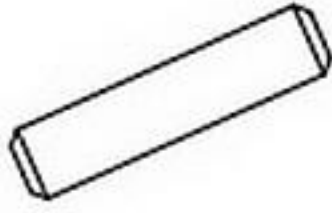

<b>N2</b>  L=30,3 x 4	<b>M3</b>  x 2	<b>E1</b>  8x35 x 2	<b>D2</b>  x 2
---	---	--	---

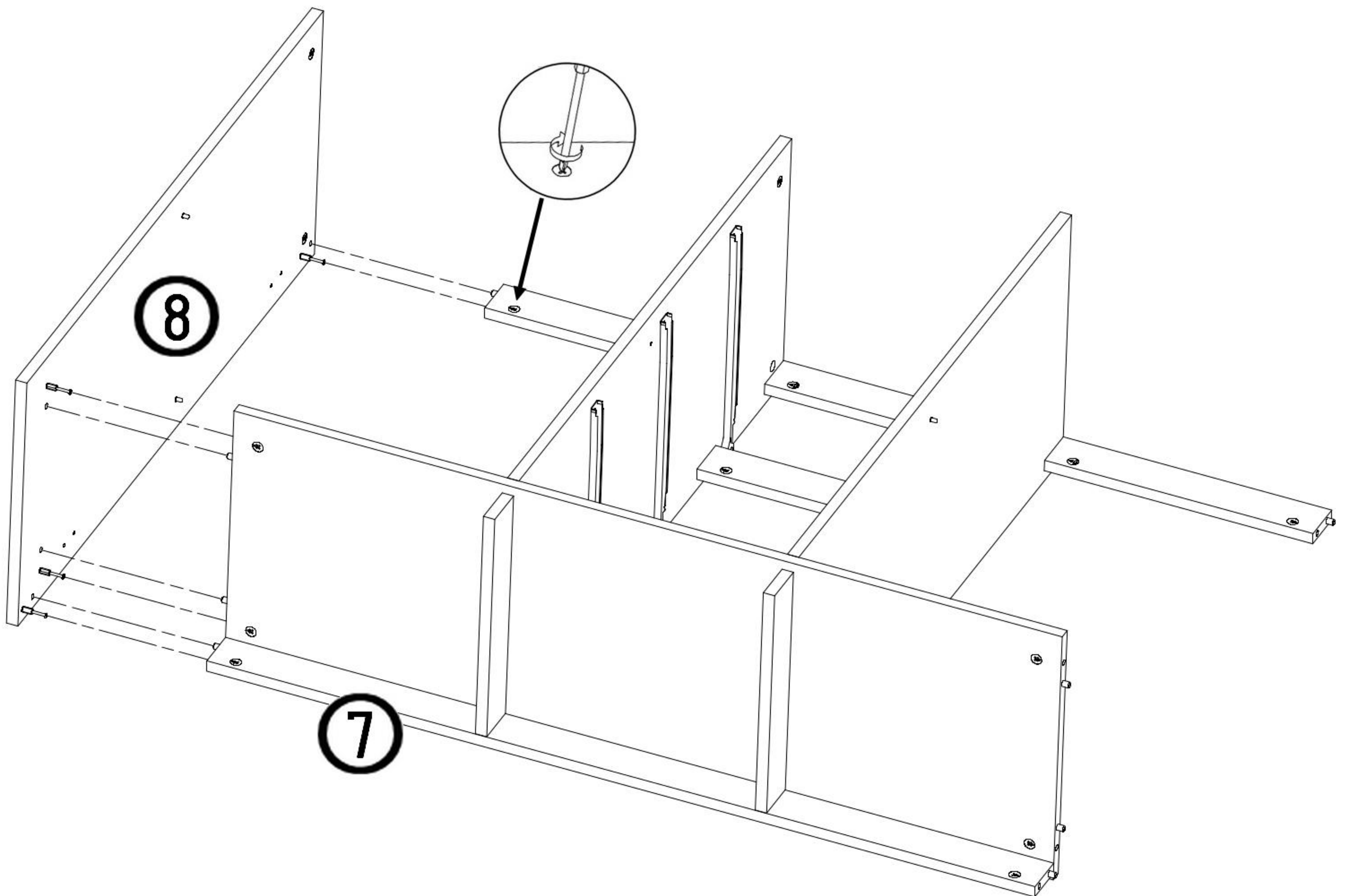
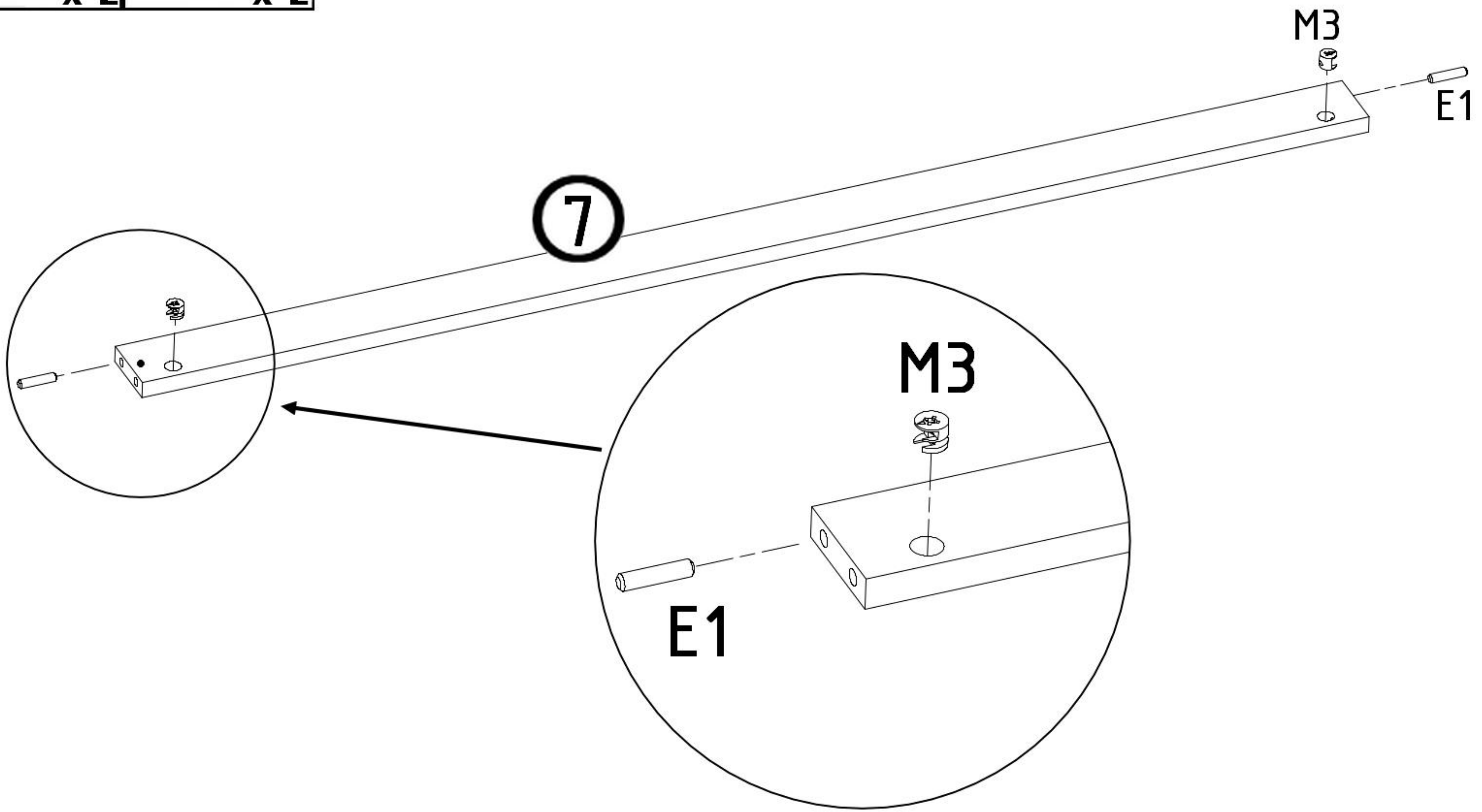


<b>N2</b>  L=30,3 x 4	<b>M3</b>  x 2	<b>E1</b>  8x35 x 2	<b>D2</b>  x 2
---	---	--	---



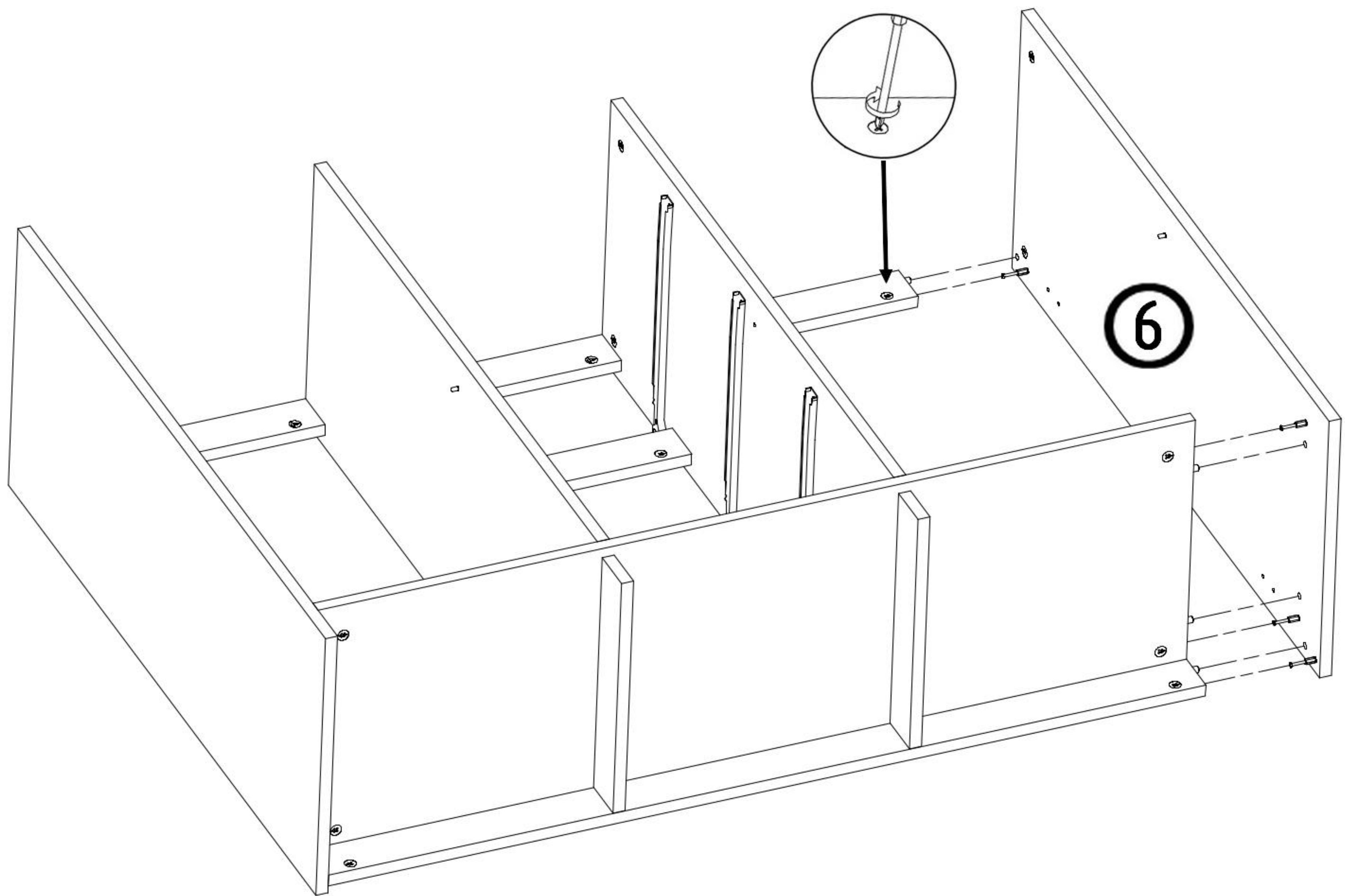


<b>E1</b>  8x35    x 2	<b>M3</b>  x 2
--	---

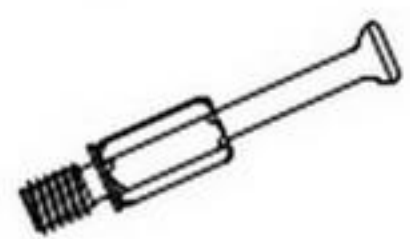




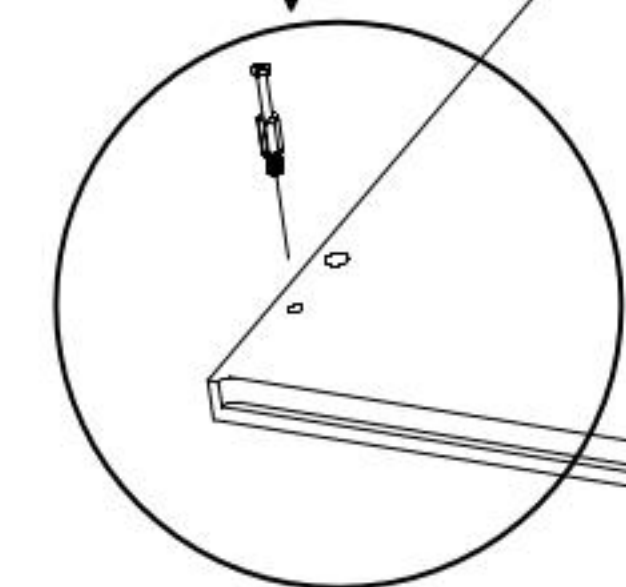
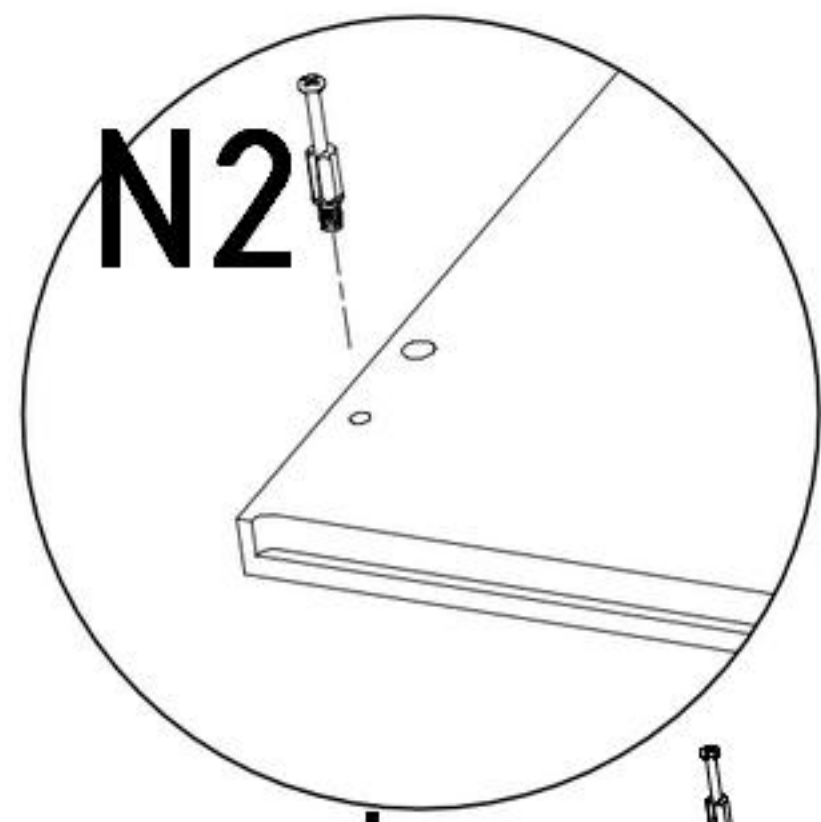
10



N2



L=30,3 x 8

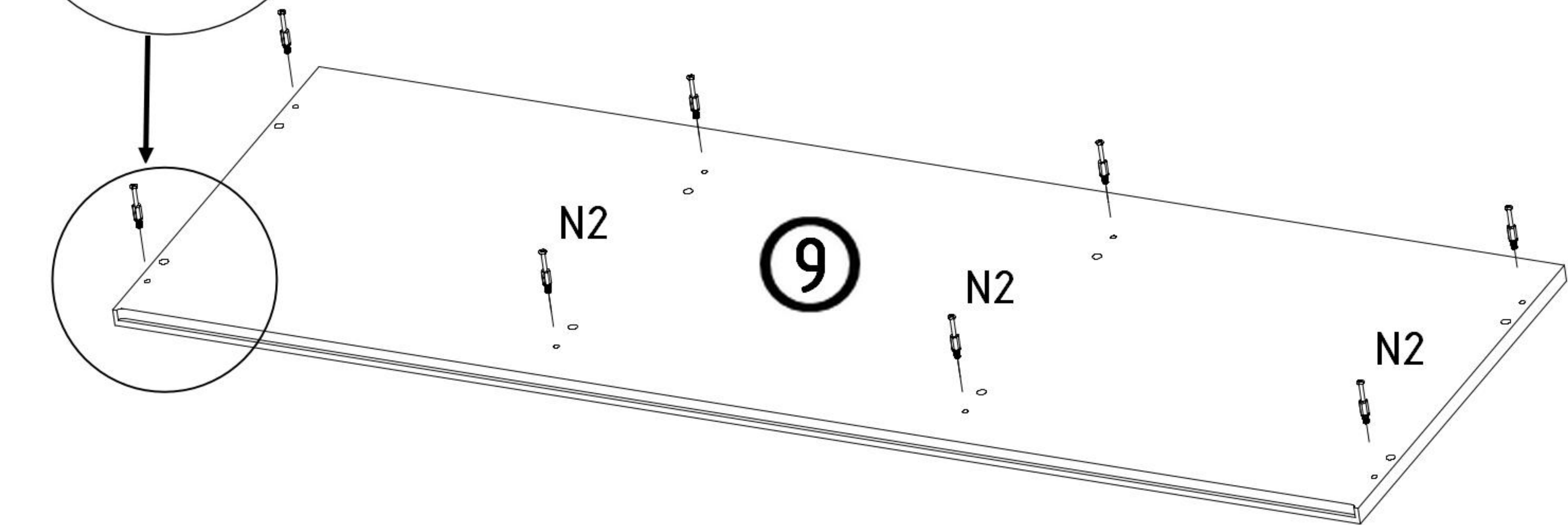


N2

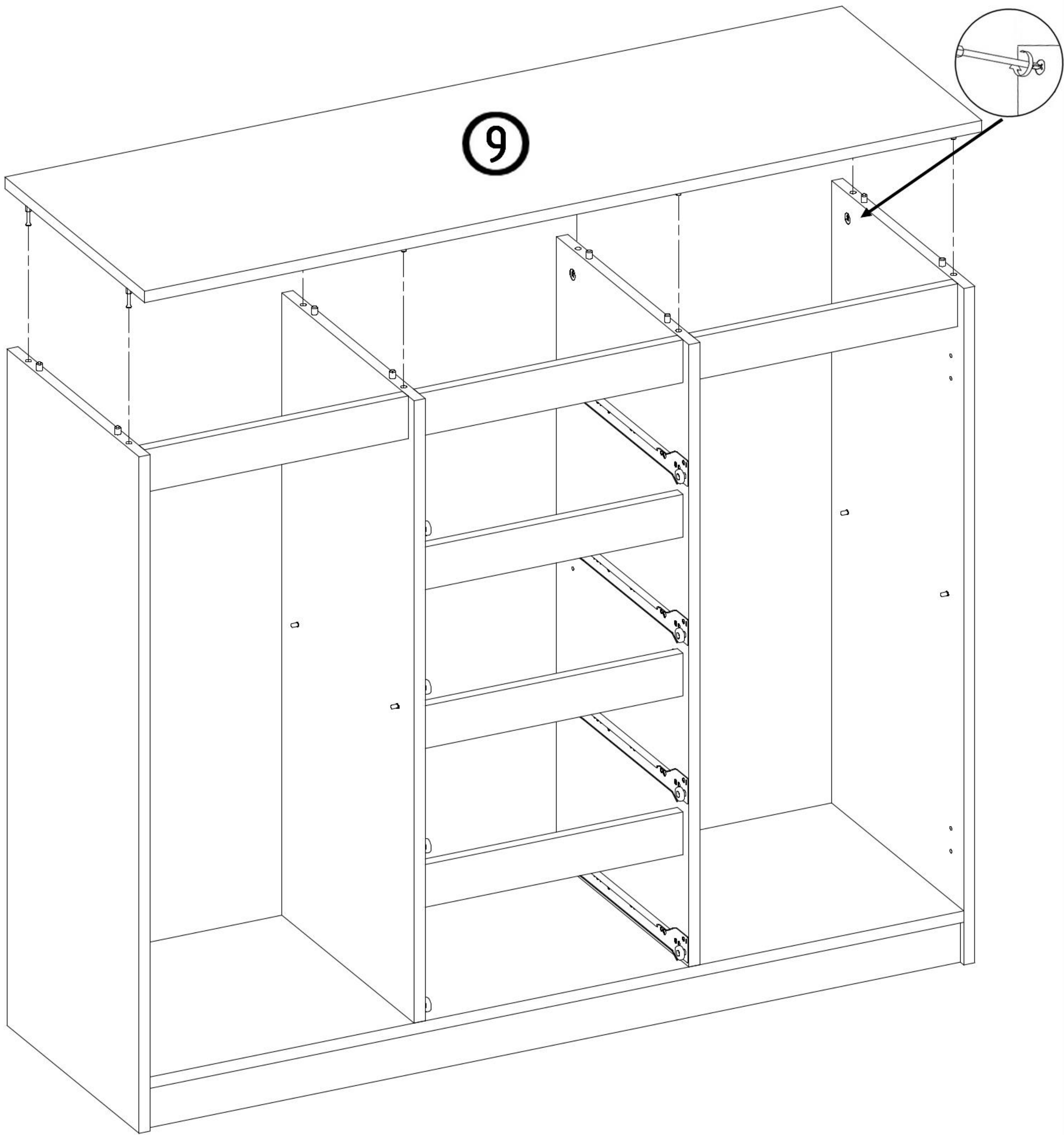
9

N2





N2

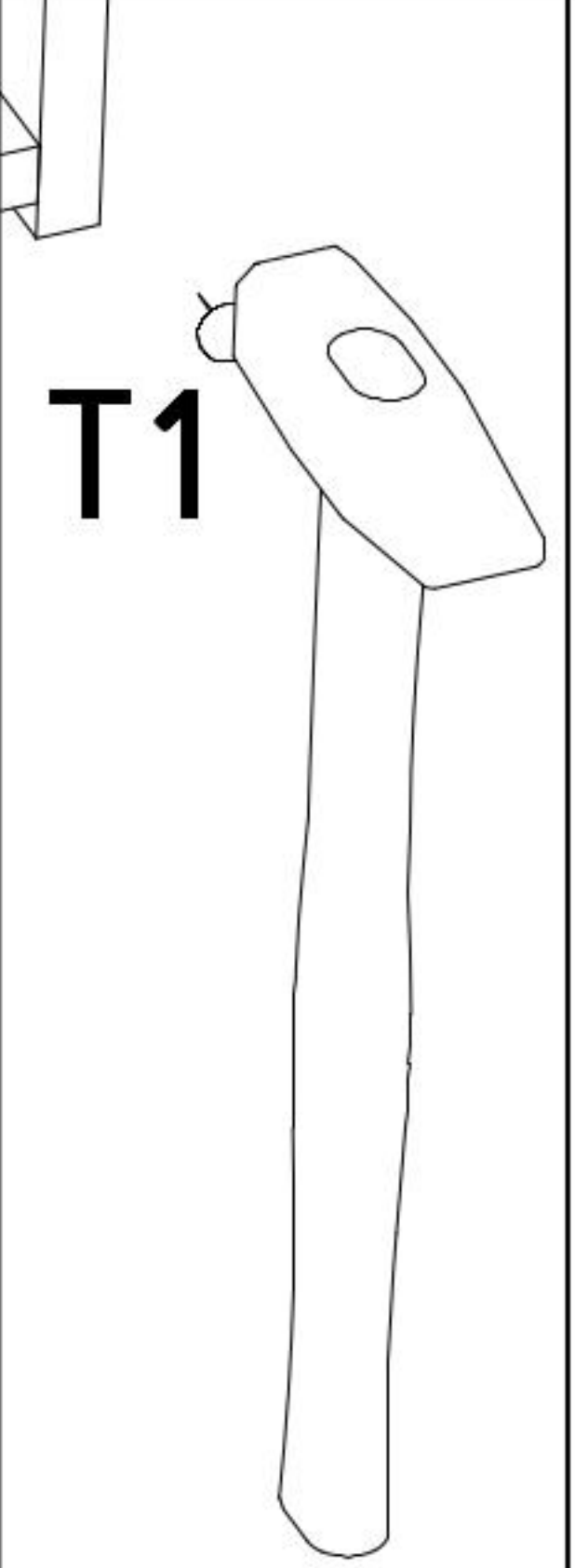
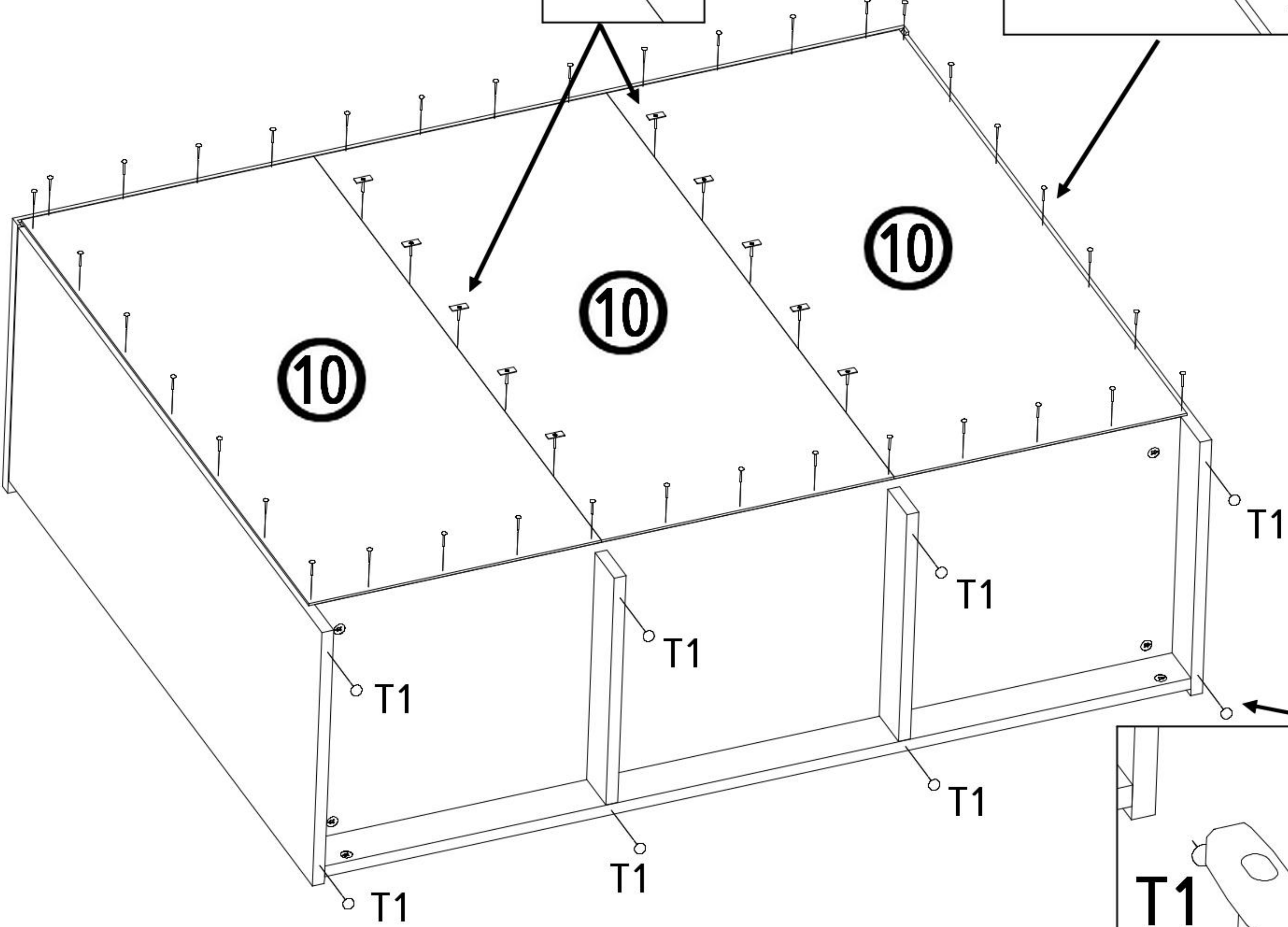
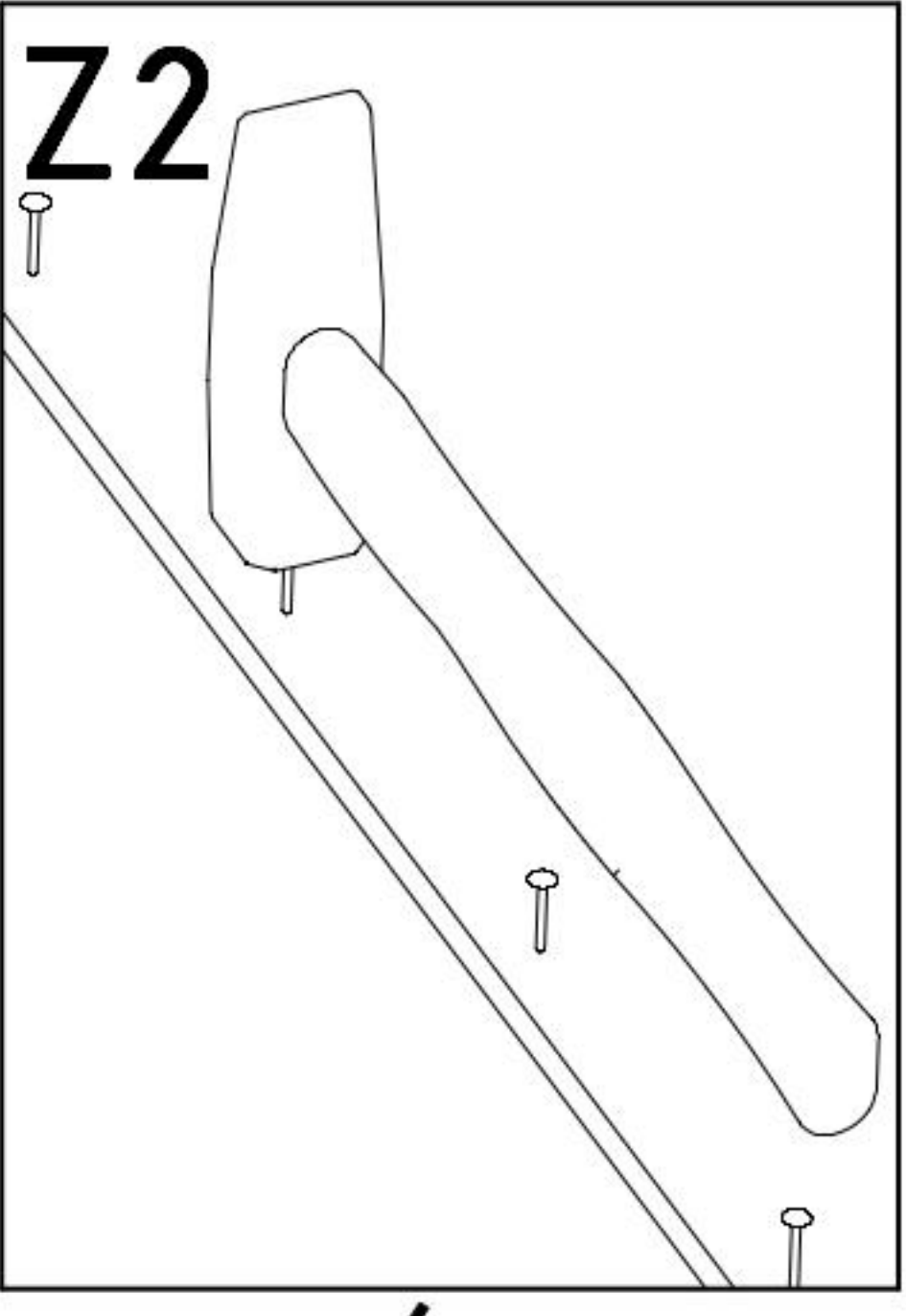
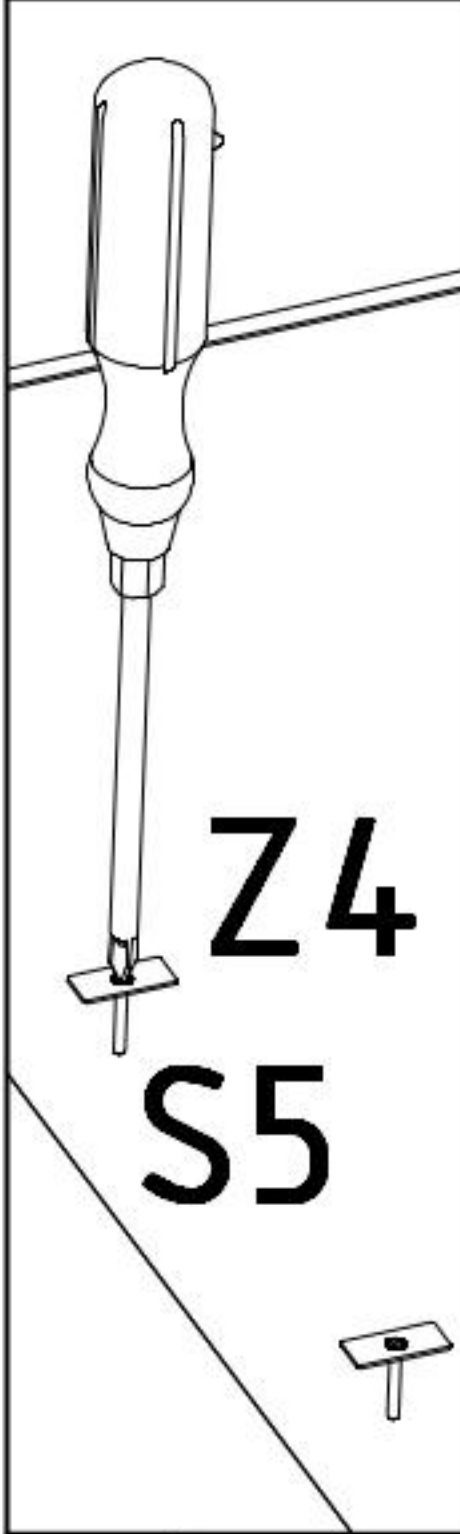
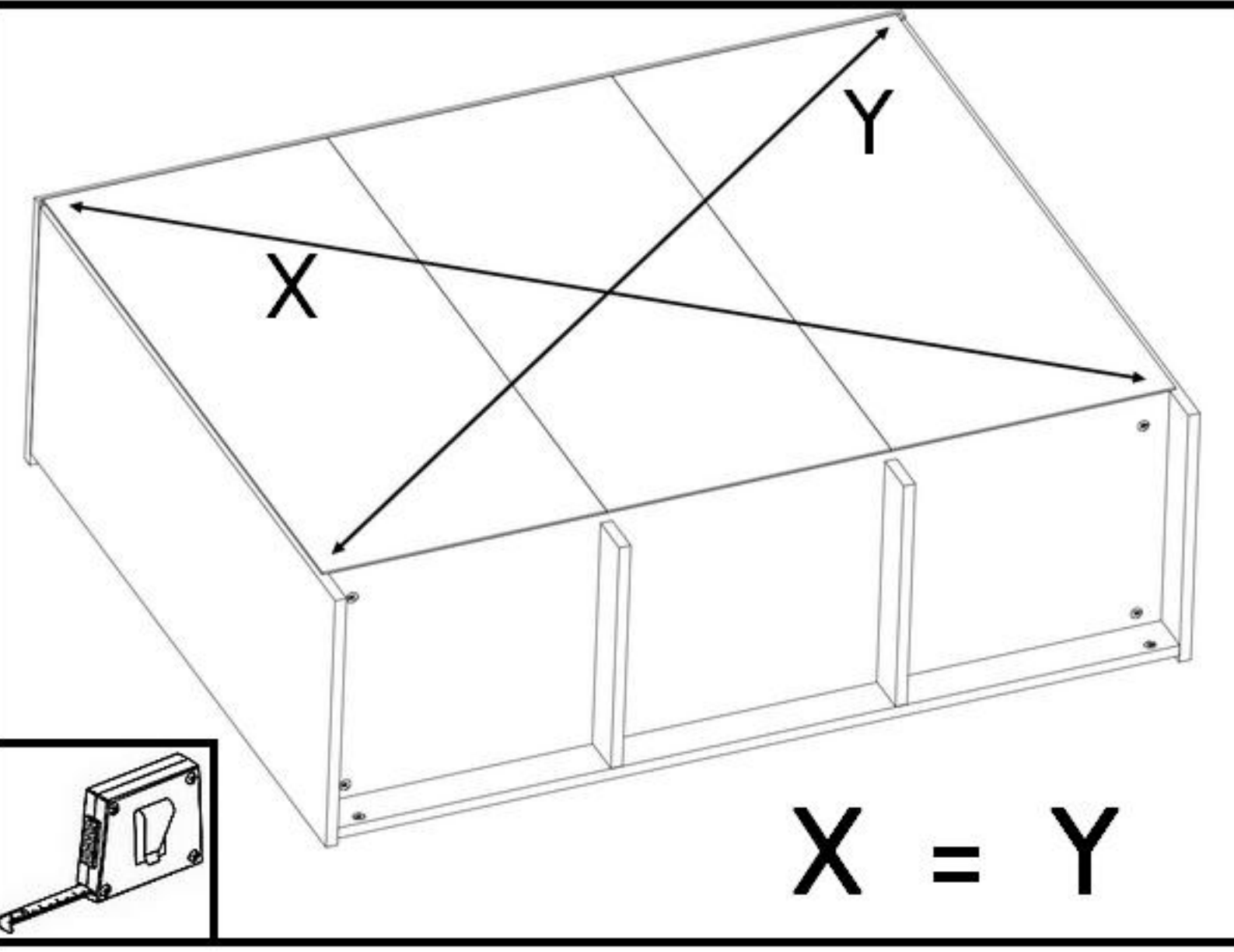






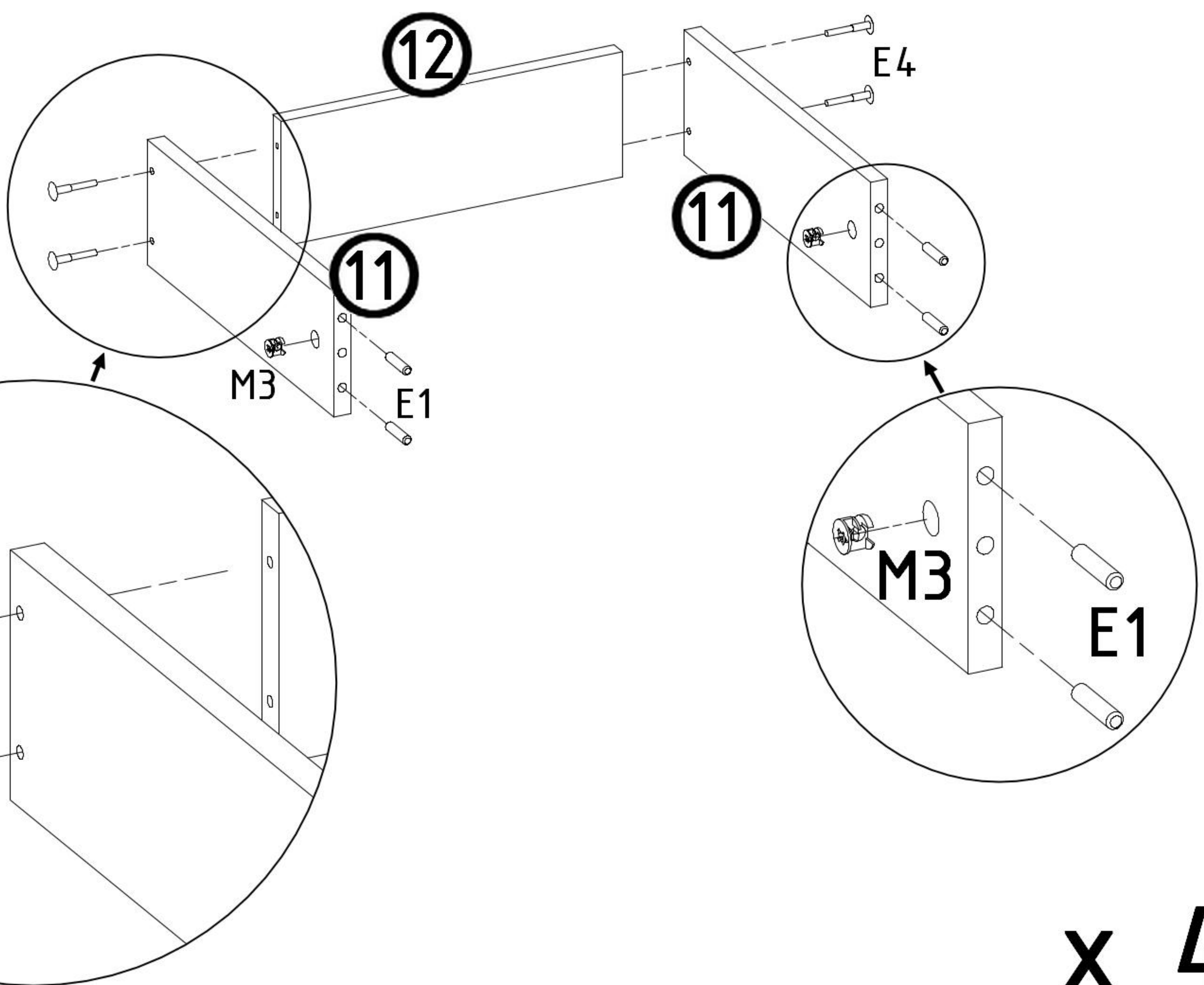


<b>S5</b>  2,5x20 x 10	<b>Z4</b>  x 10	<b>T1</b>  x 8	<b>Z2</b>  x 60
---	--	---	--

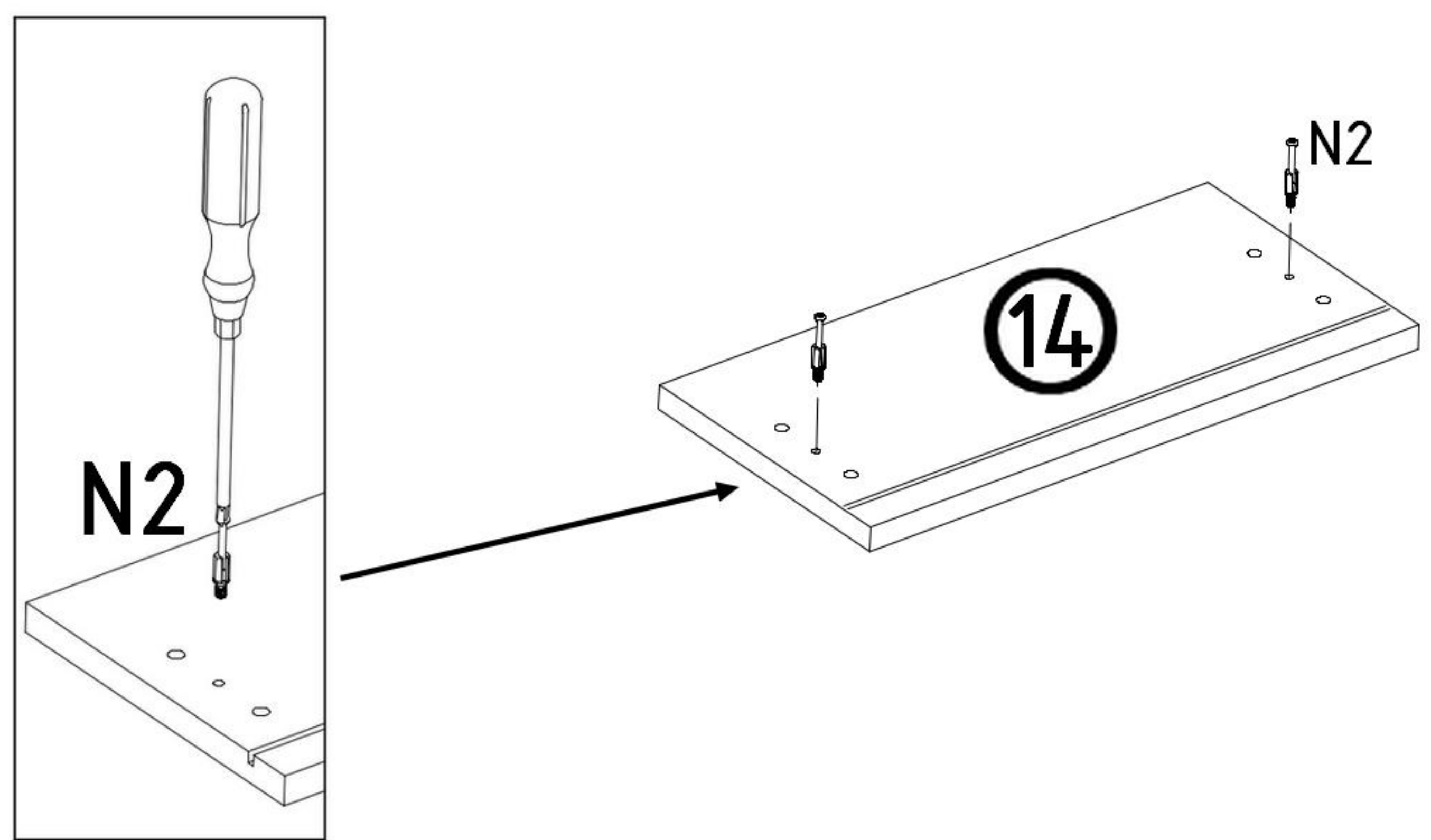




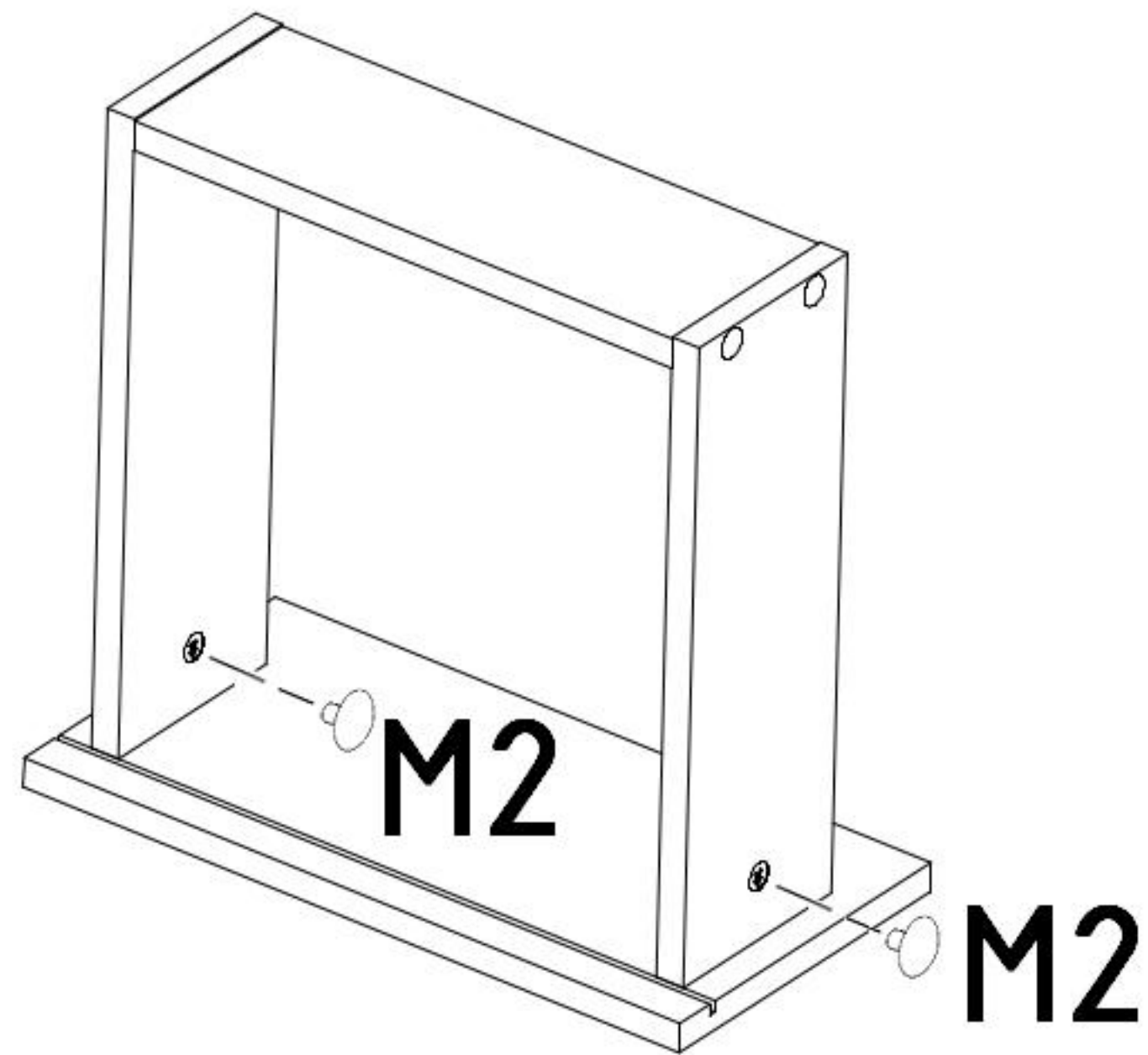
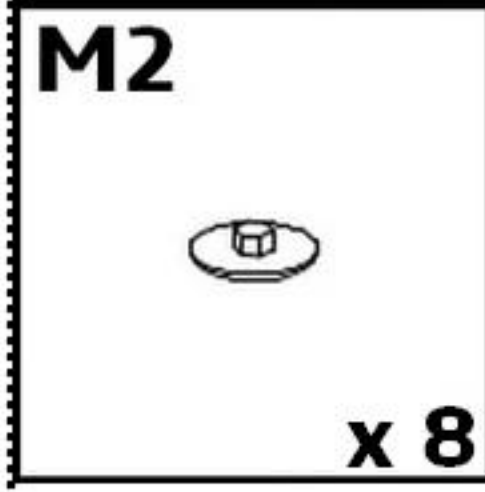
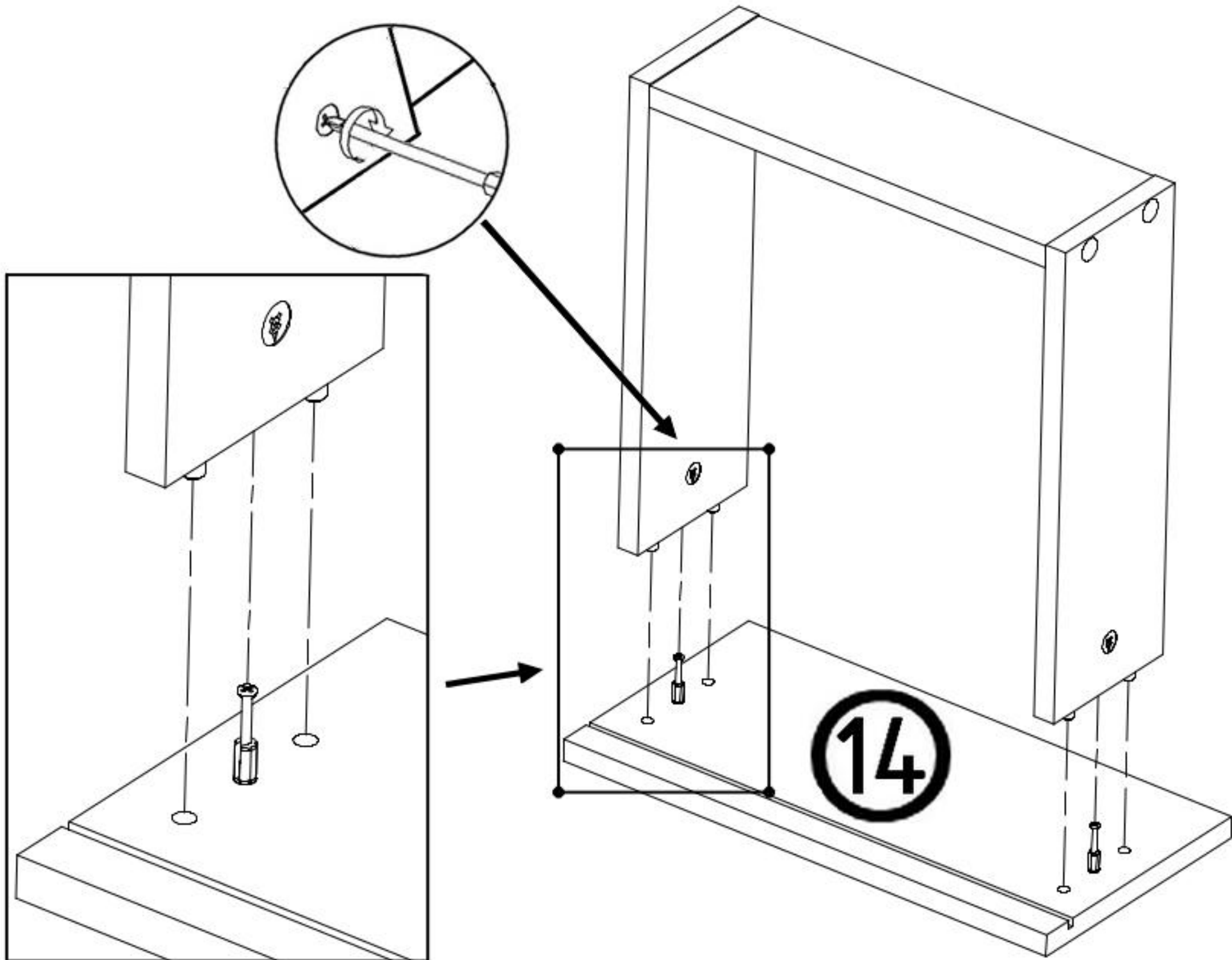
<b>E1</b>  8x35 x 16	<b>M3</b>  x 8	<b>E4</b>  x 16
--	---	--



<b>N2</b>  L=30,3 x 8
---

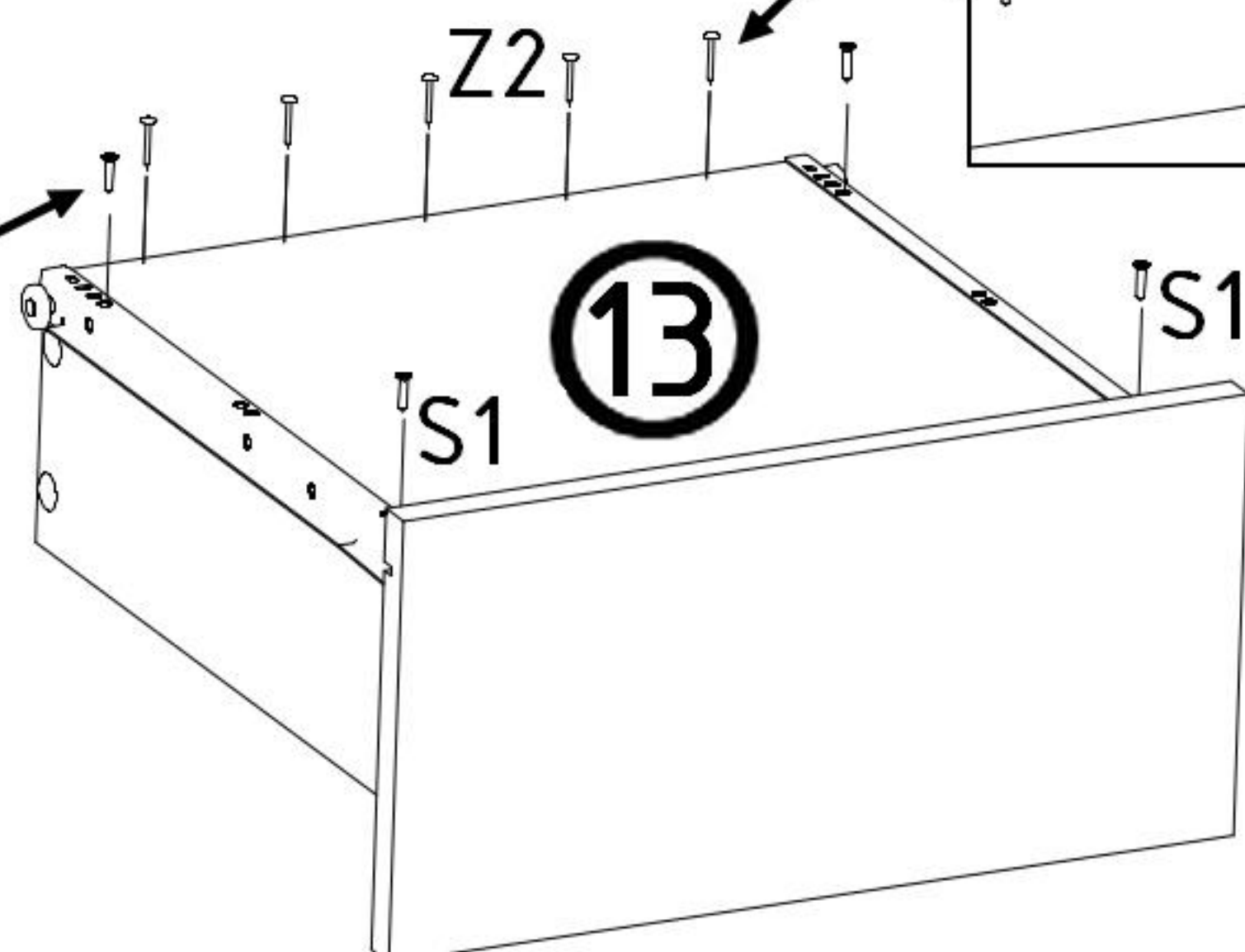
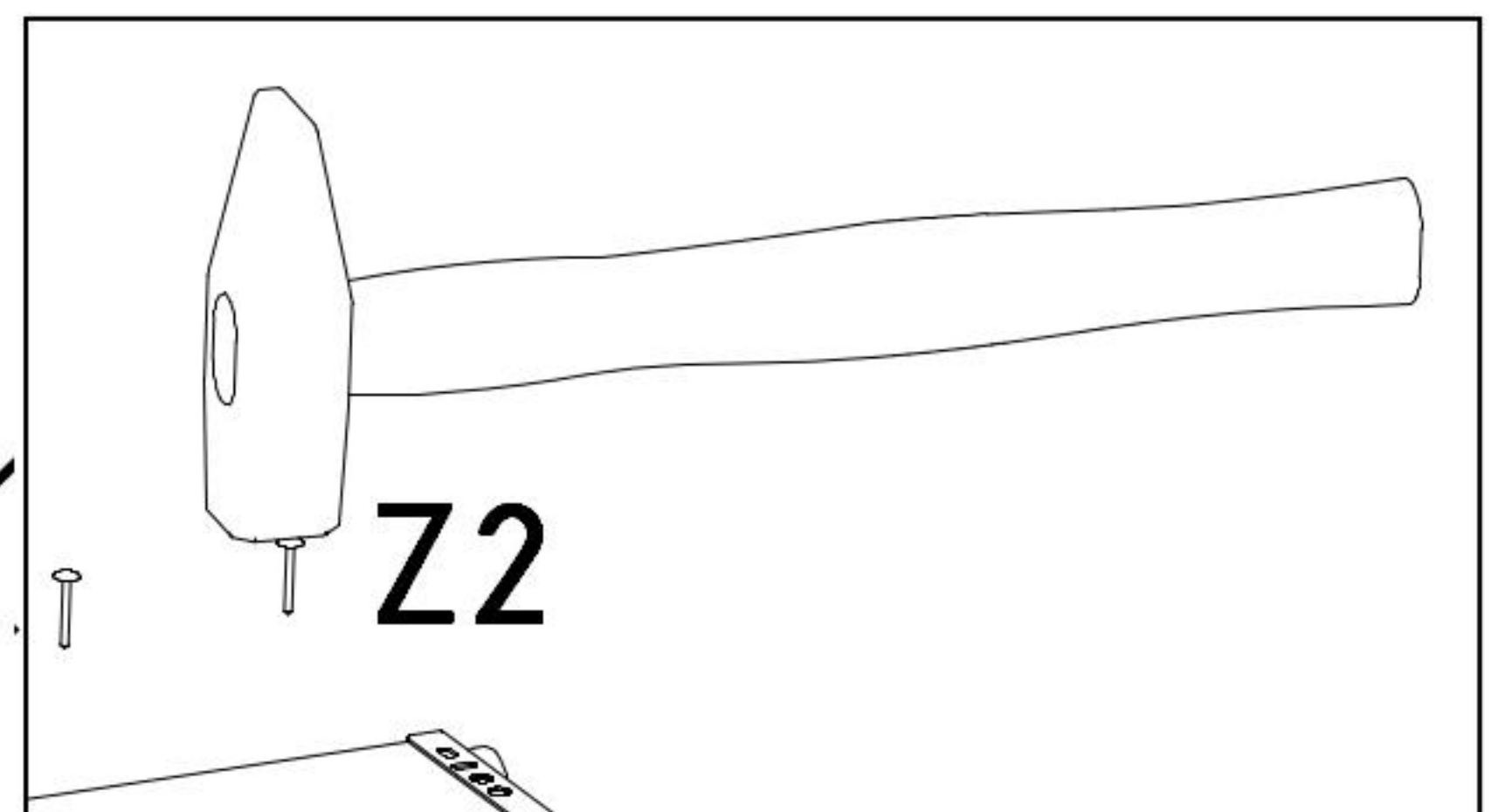
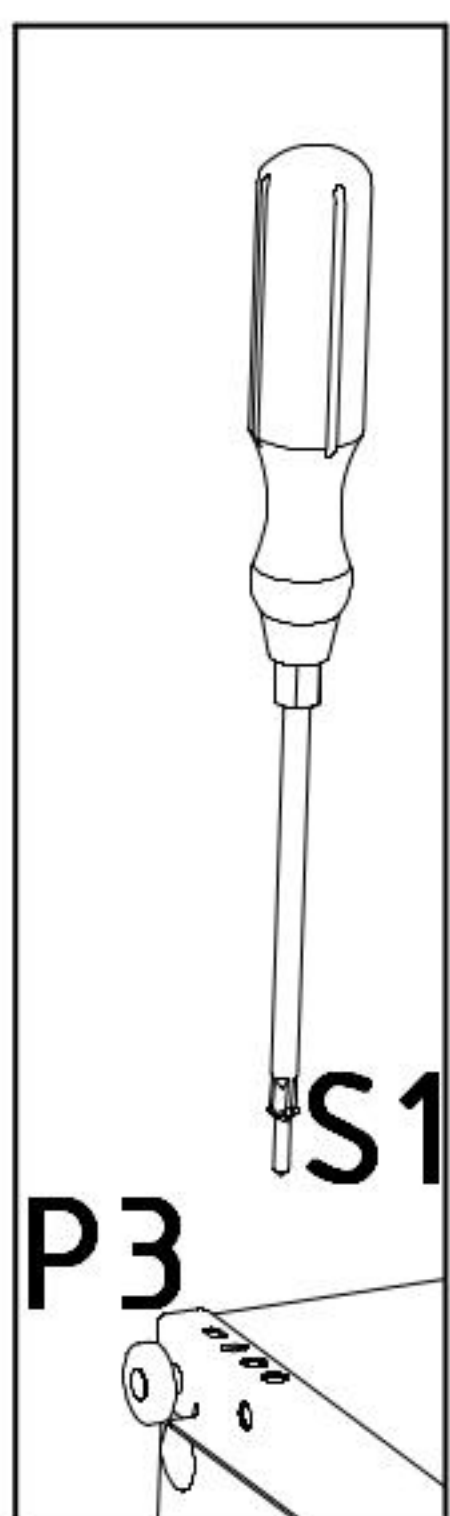
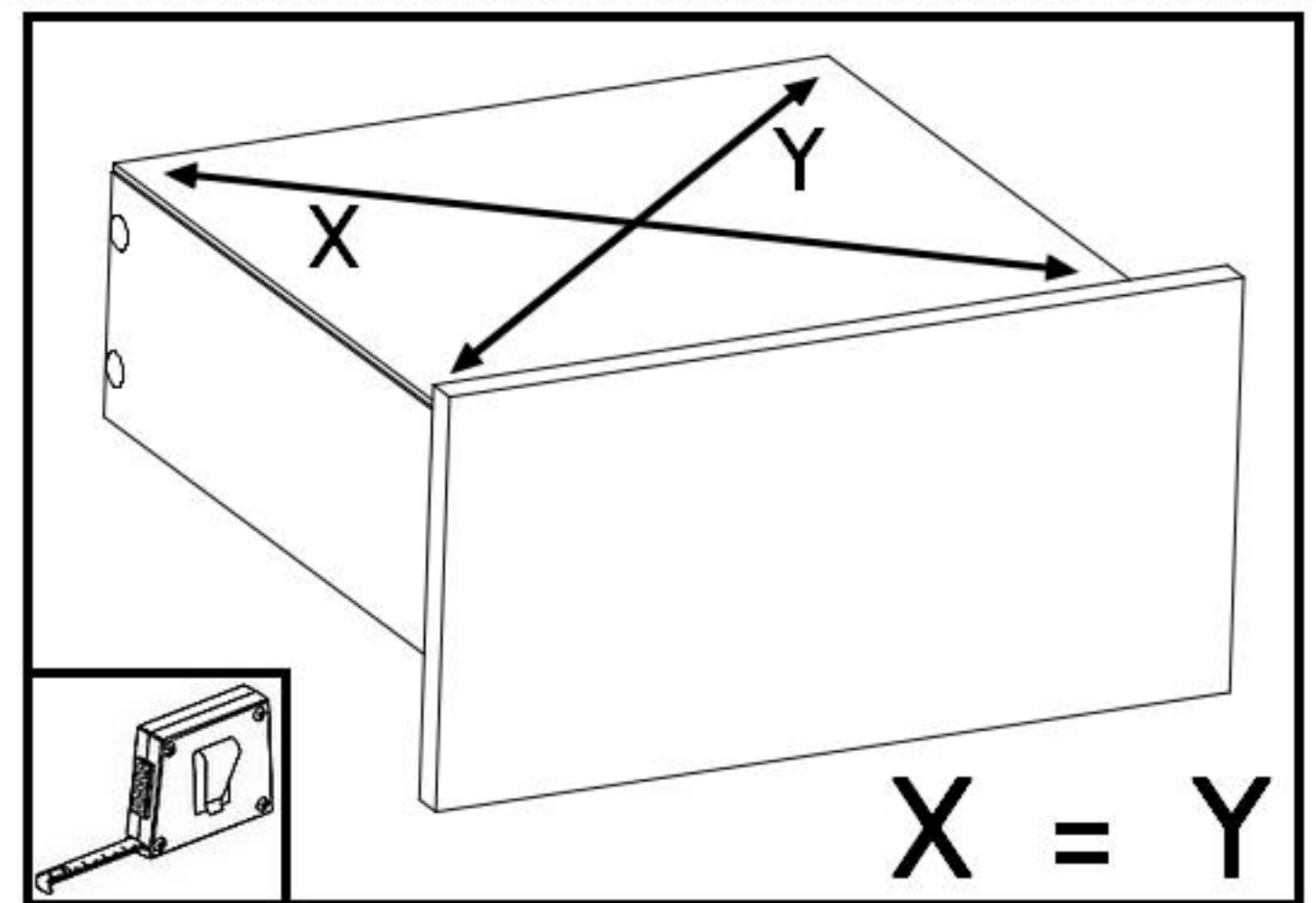
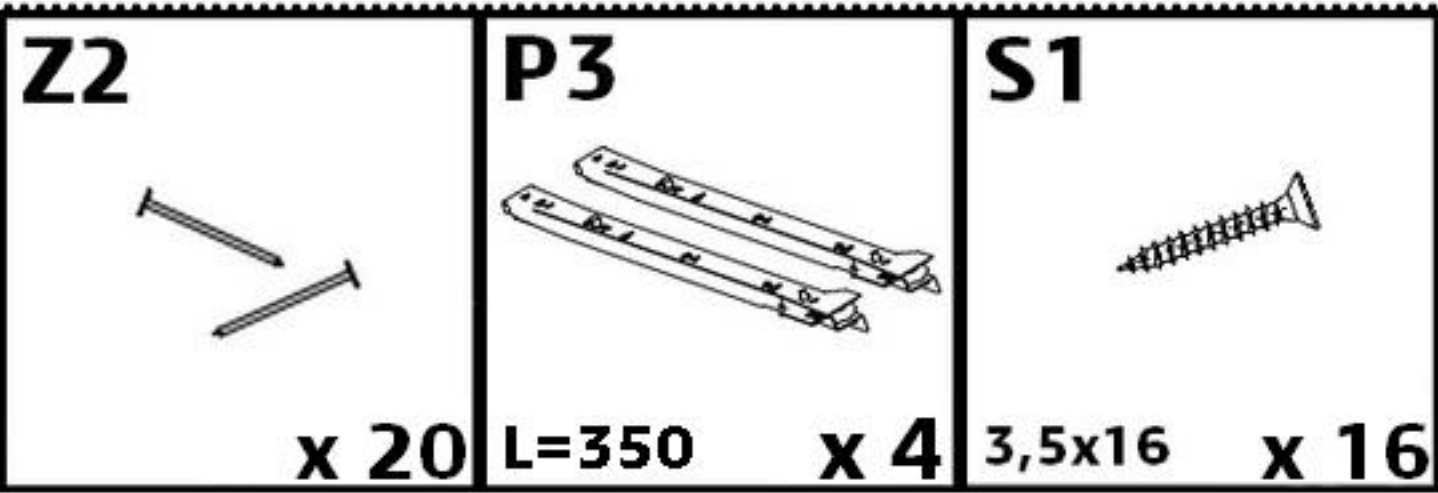


14




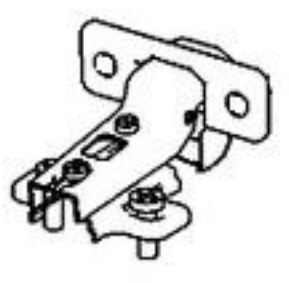
x 4

x 4



x 4



<b>S1</b>  3,5x16	<b>A0</b>  x 8
	<b>x 4</b>

