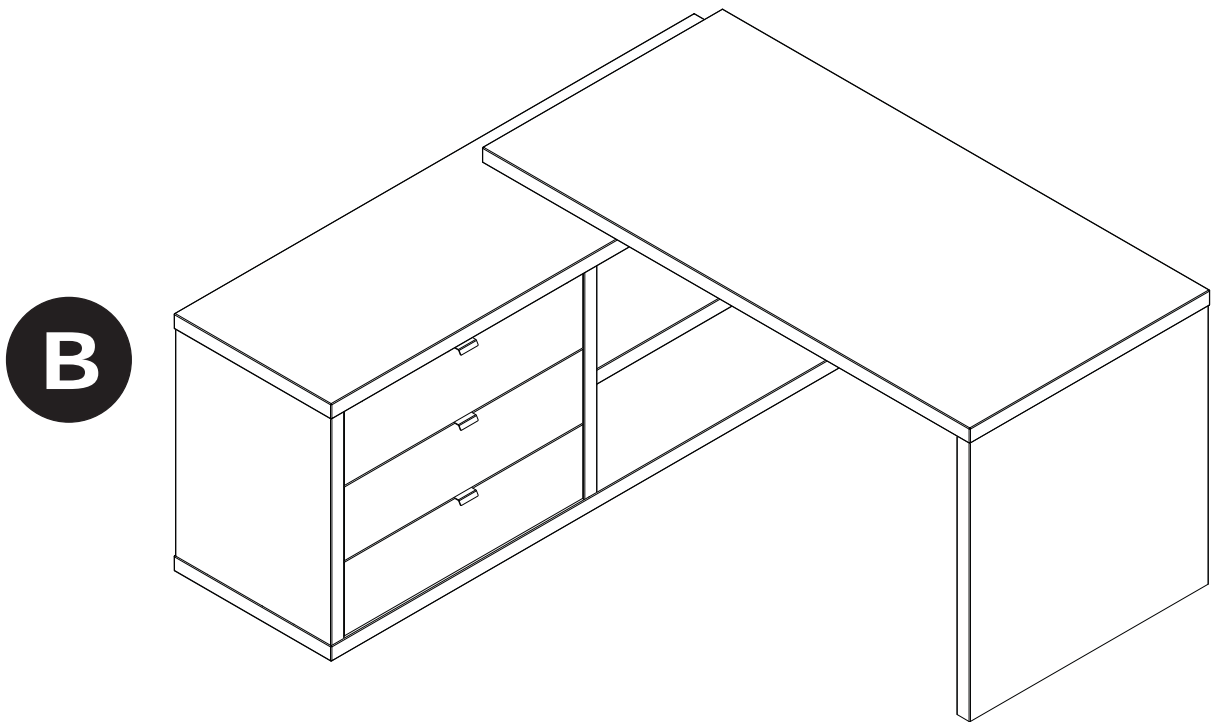
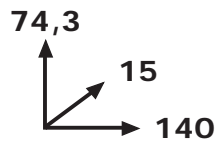
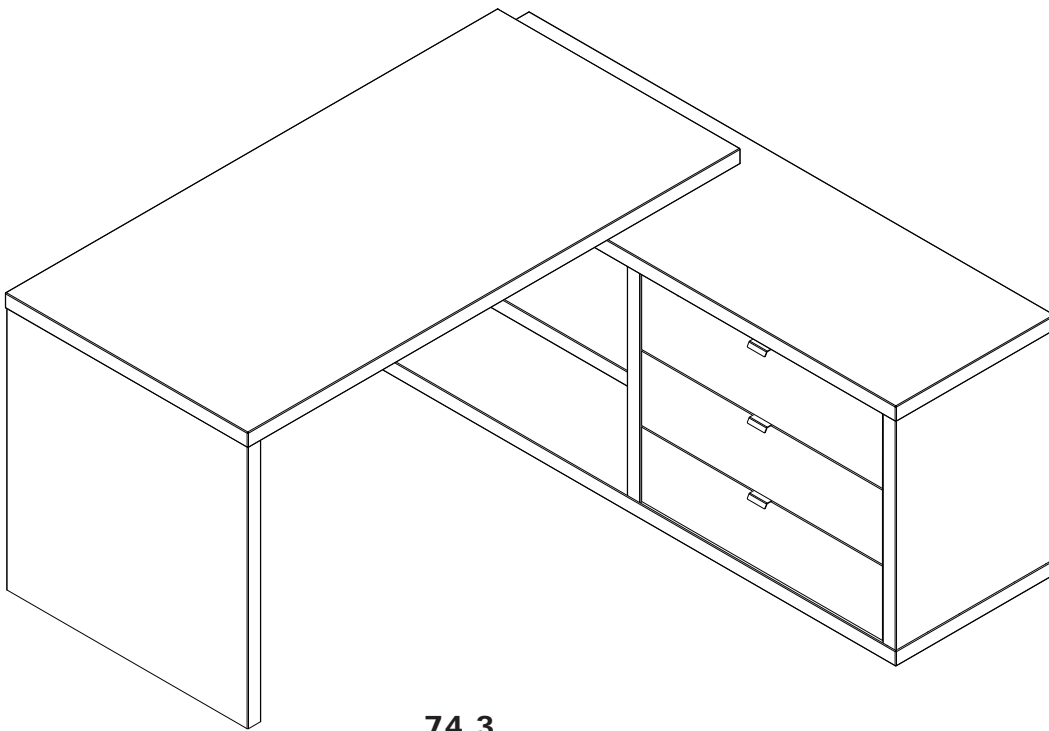
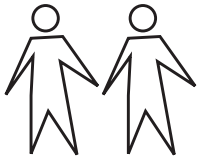


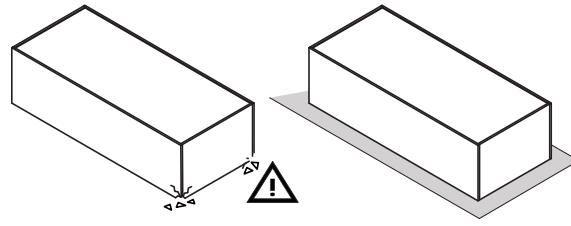
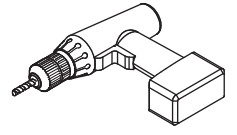
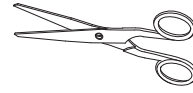
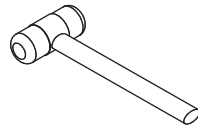
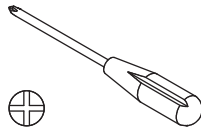
# SR0739K56104



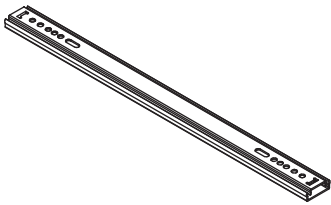
QF4145-2



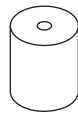
2h



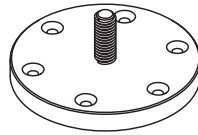
**BU3359**



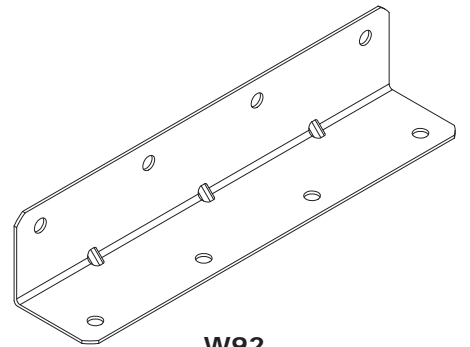
**A34**  
x6



**W432**  
x2



**W406**  
x2

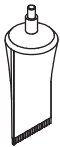


**W92**  
x2

**BU3355**



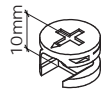
**H54**  
x12



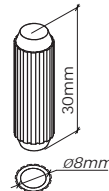
**H14**  
x2



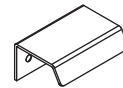
**V5**  
x18



**T98**  
x6



**H1**  
x18



**M111**  
x3



**G156**  
x8



**R40**  
x4



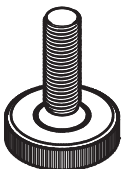
**G136**  
x6



**T28**  
x22



**T97**  
x16



**P14**  
x8



**H118**  
x8



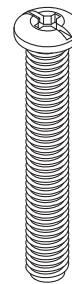
**V20**  
x12



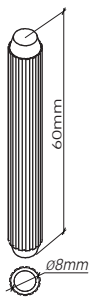
**V38**  
x6



**V10**  
x16

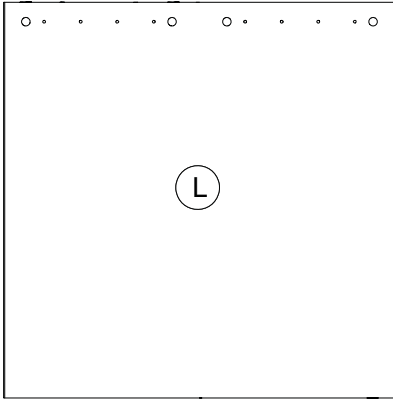


**V152**  
x2

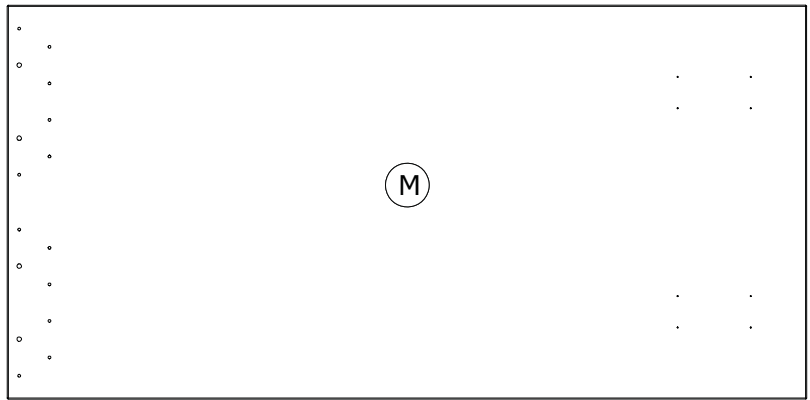


**H82**  
x4

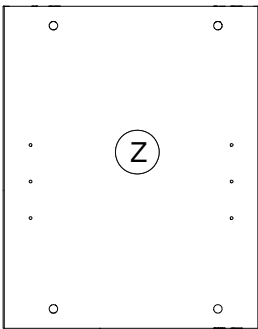




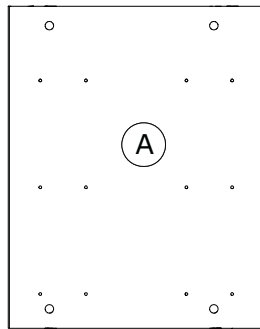
**FI7452**  
693x686x38mm



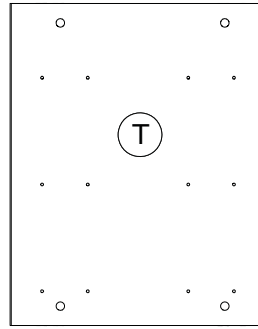
**CA3046**  
1400x690x38mm



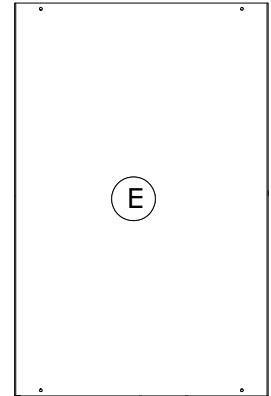
**FI7454**  
564x448x38mm



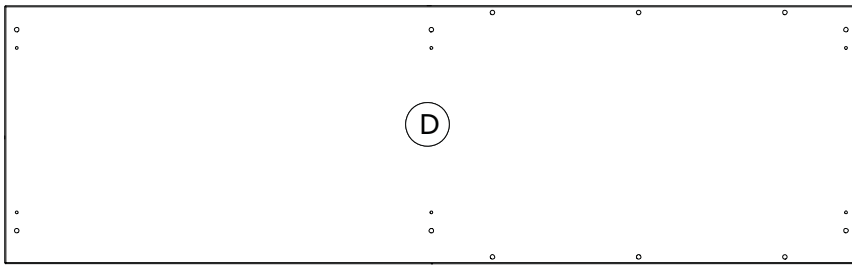
**FI7453**  
564x448x38mm



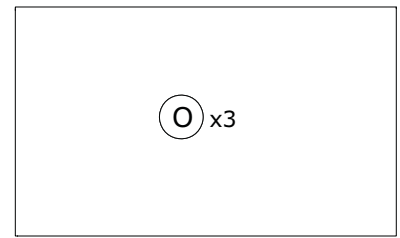
**TR1853**  
564x448x38mm



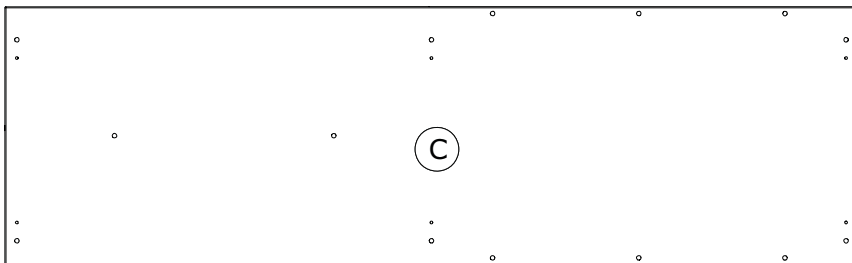
**PI6502**  
688x444x38mm



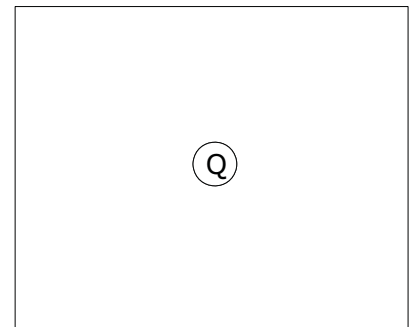
**BA1853**  
1494x452x38mm



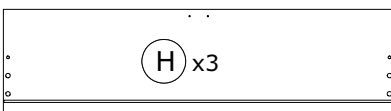
**SH2798**  
667x401x3mm



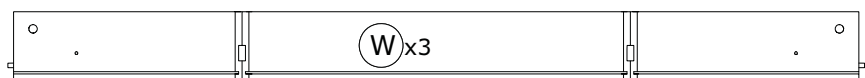
**CA3047**  
1494x452x38mm



**SH2801**  
564x688x16mm

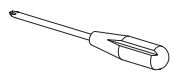
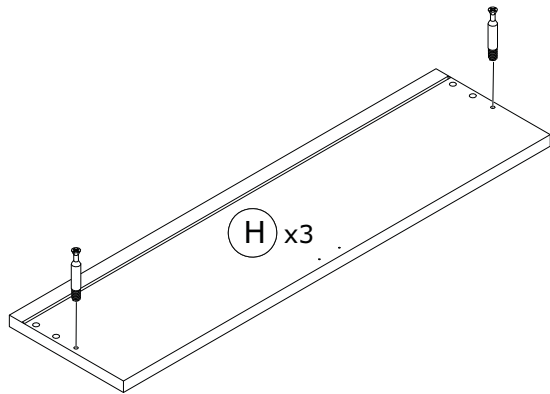
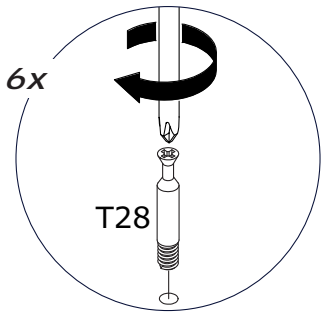


**CS2576**  
684x183x16mm

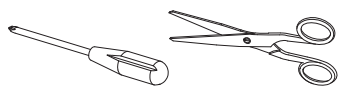
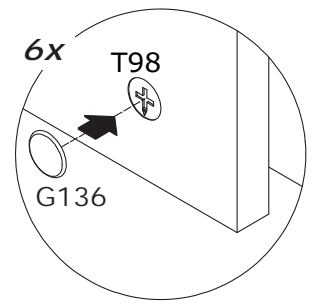
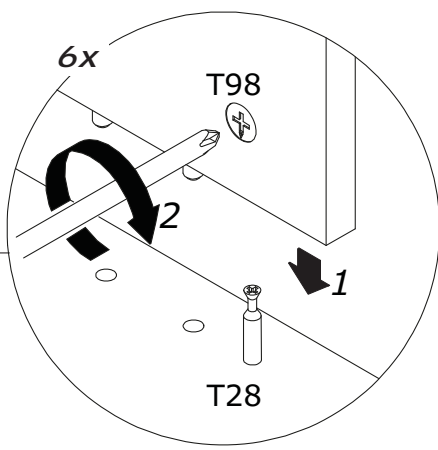
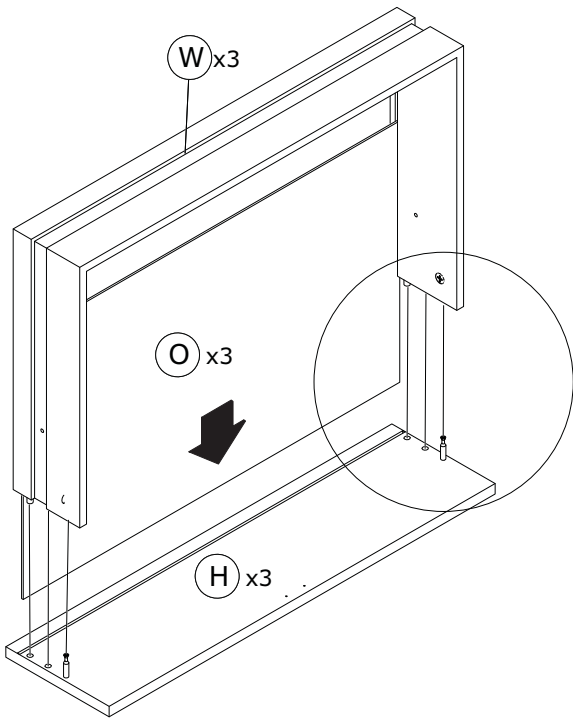
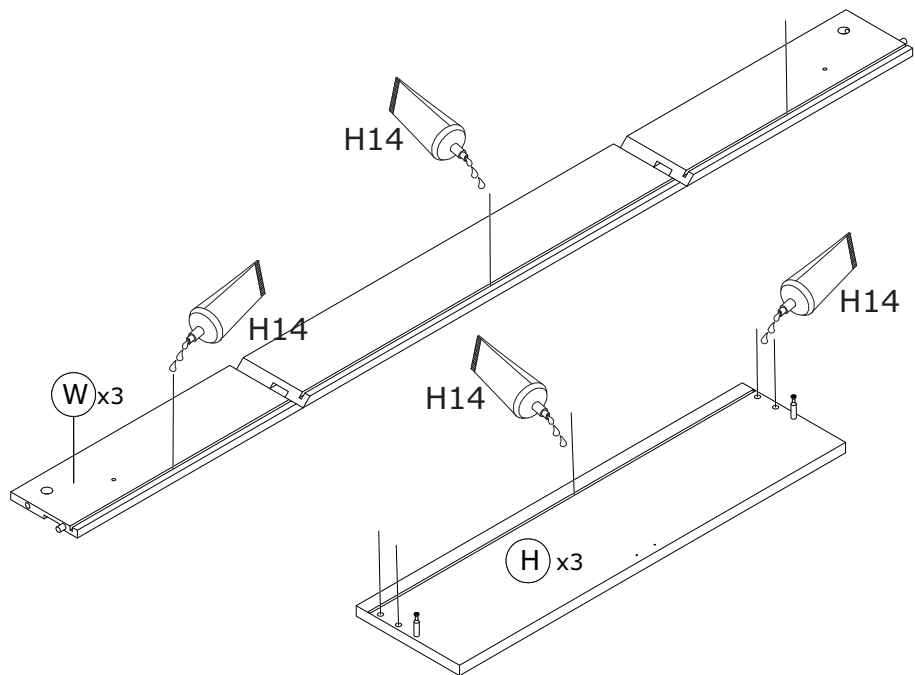
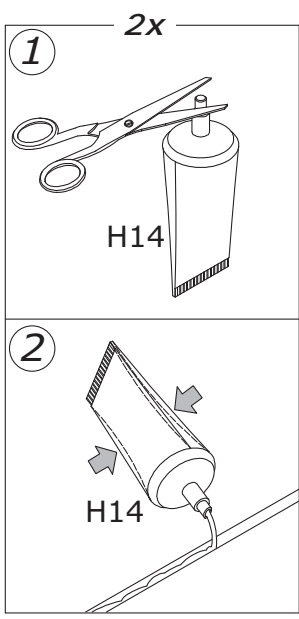


**OF0368**  
400x680x400mm H. 118mm

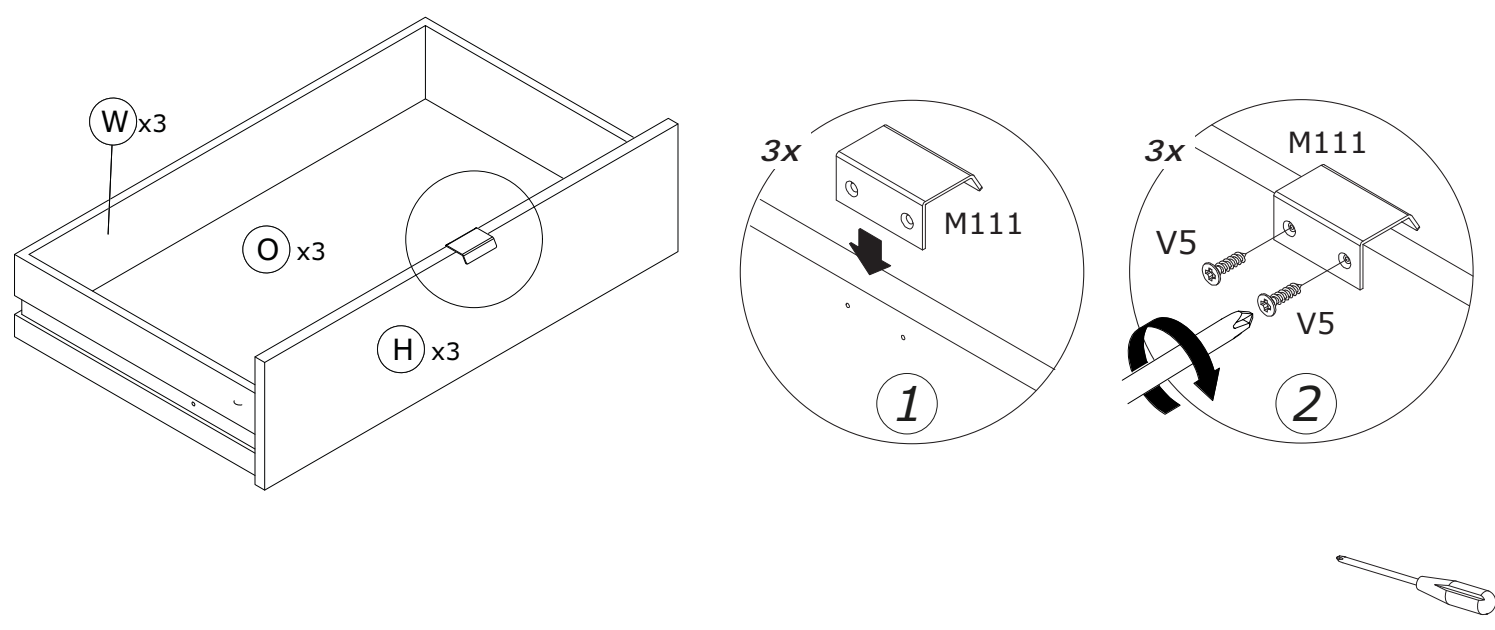
1



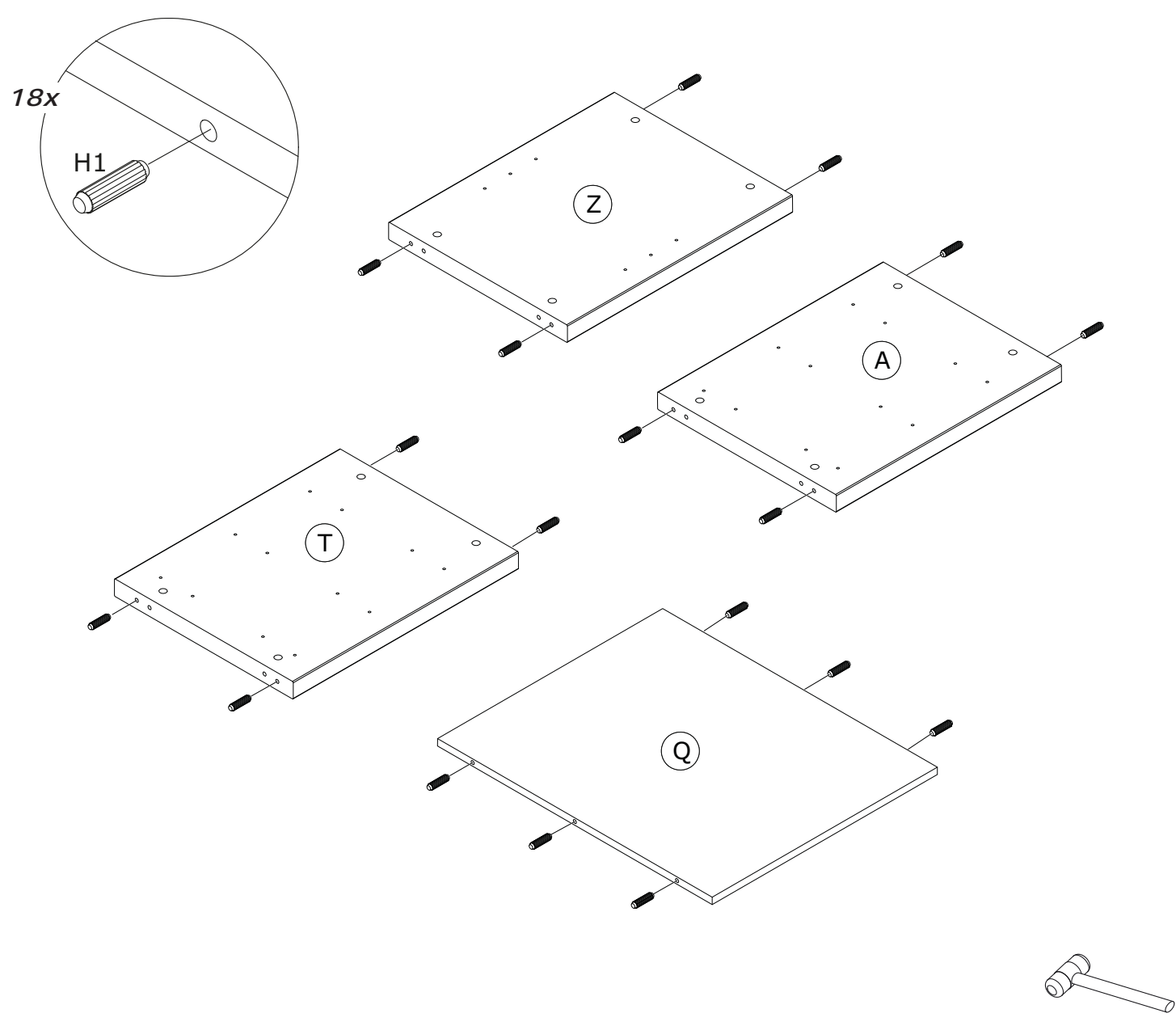
2



3

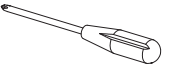
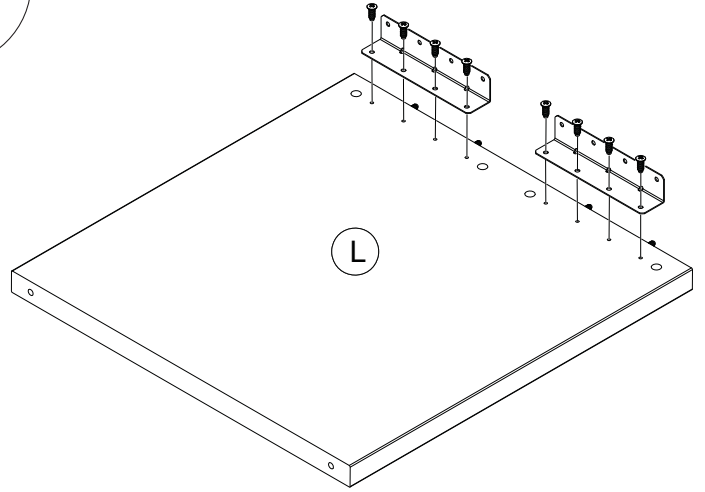
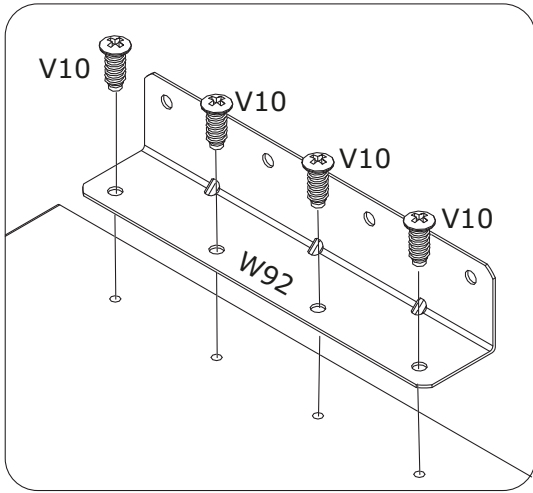
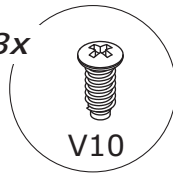


4

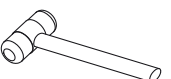
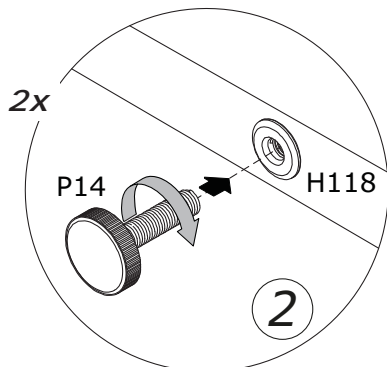
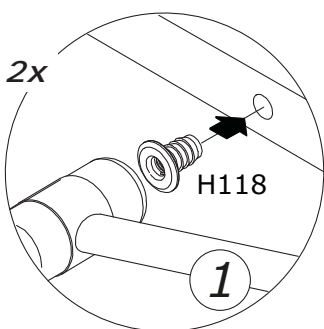
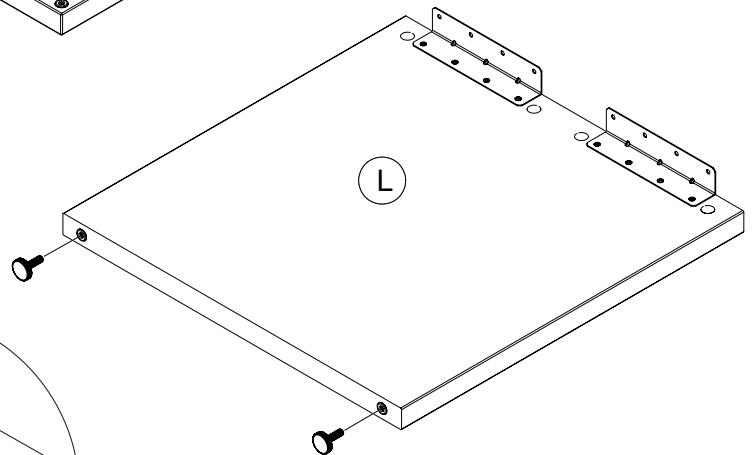
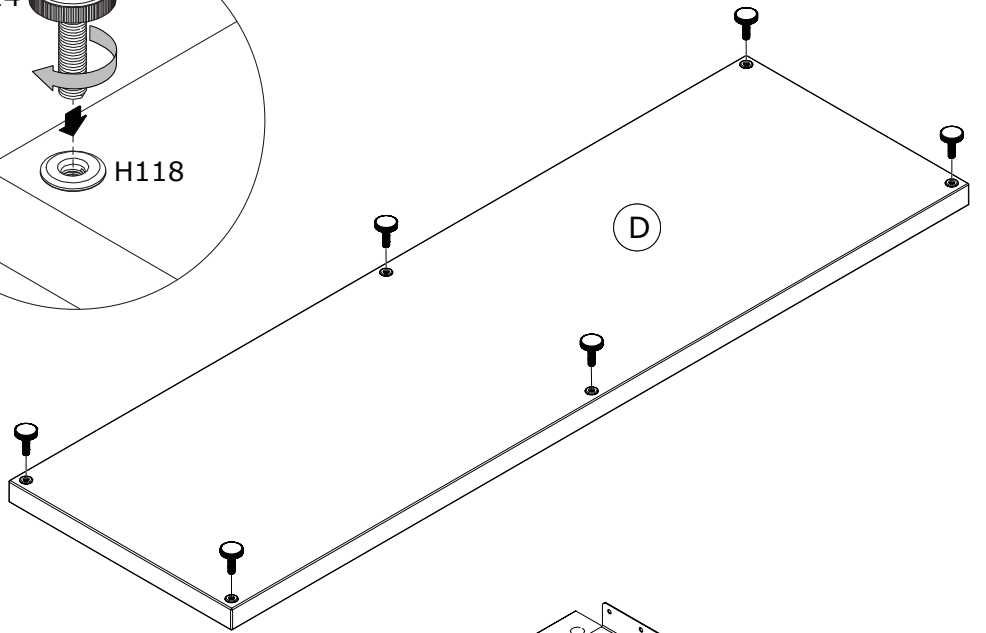
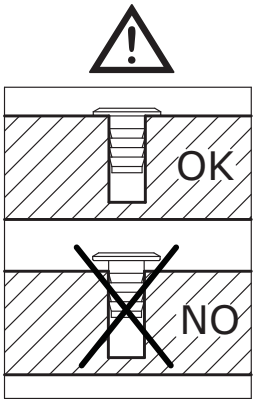
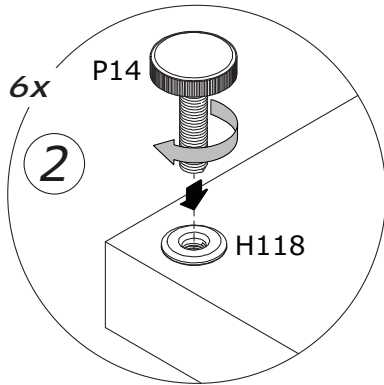
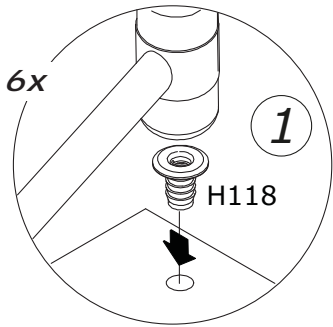


5

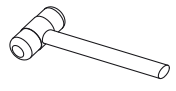
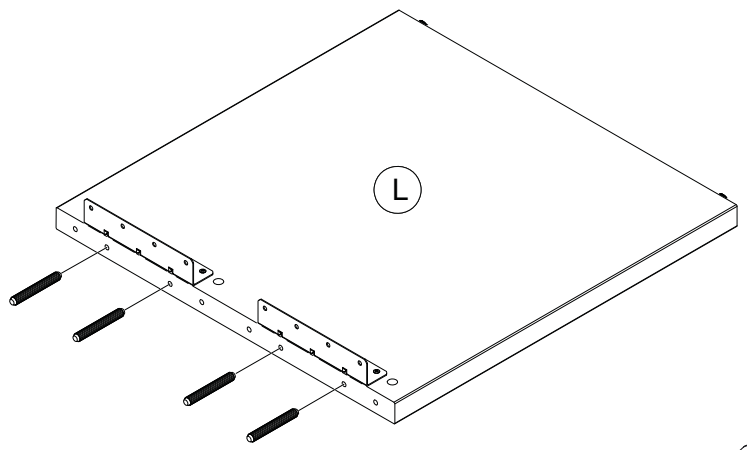
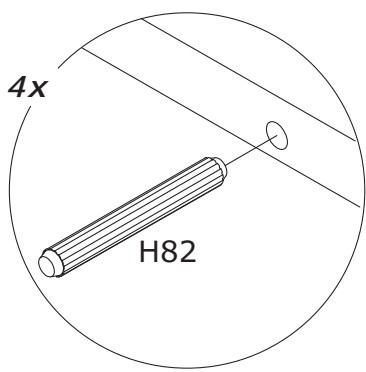
8x



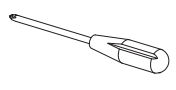
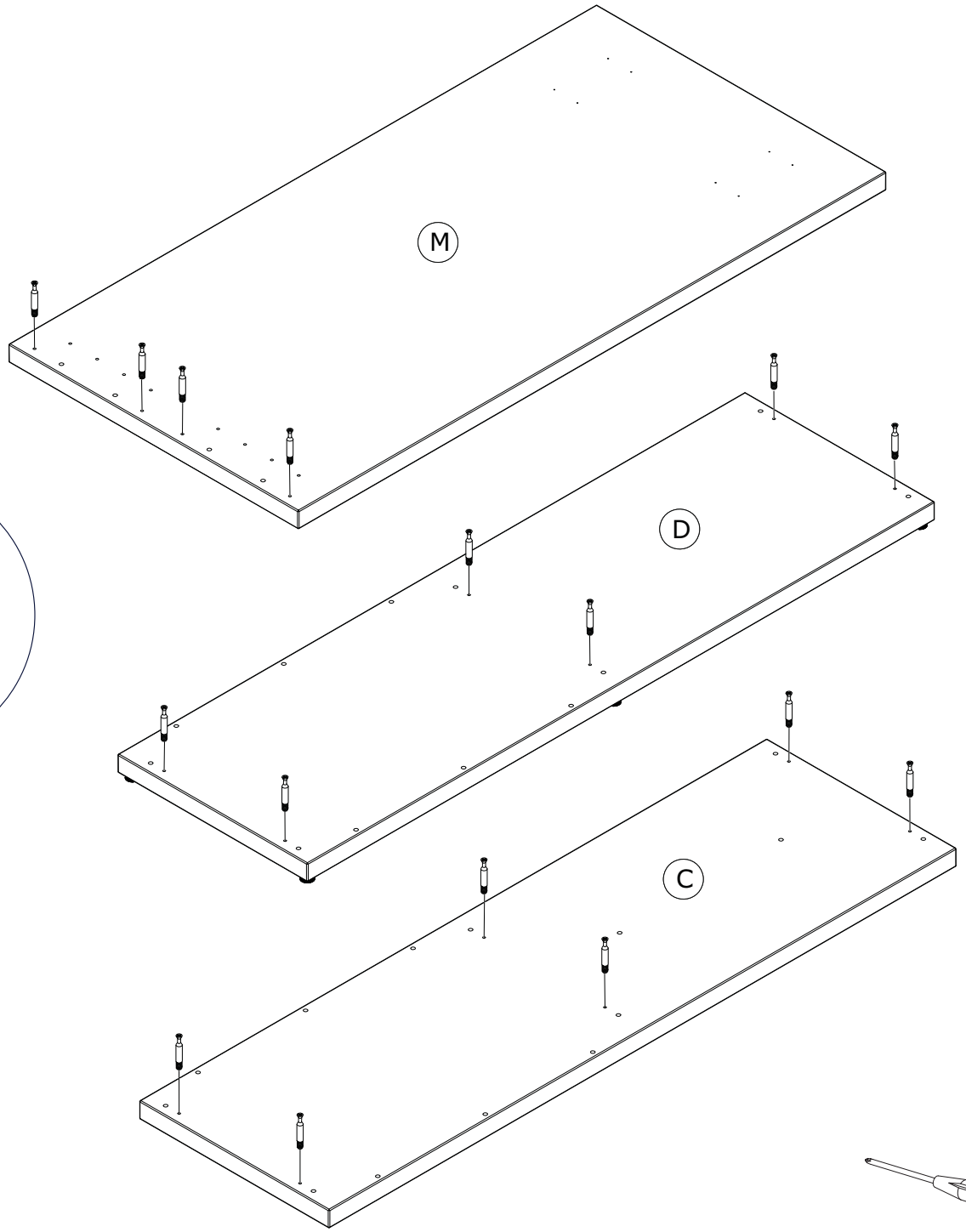
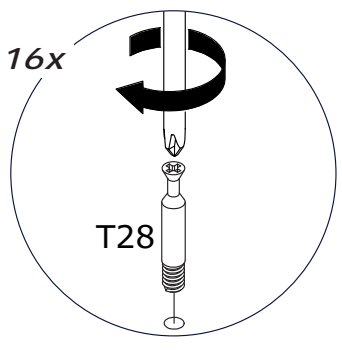
6



7

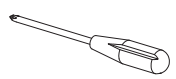
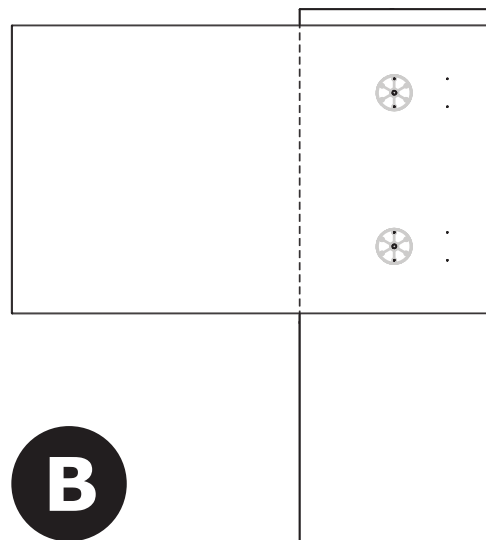
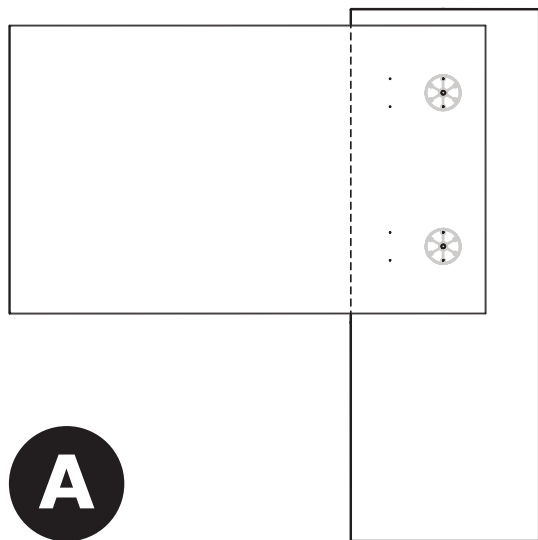
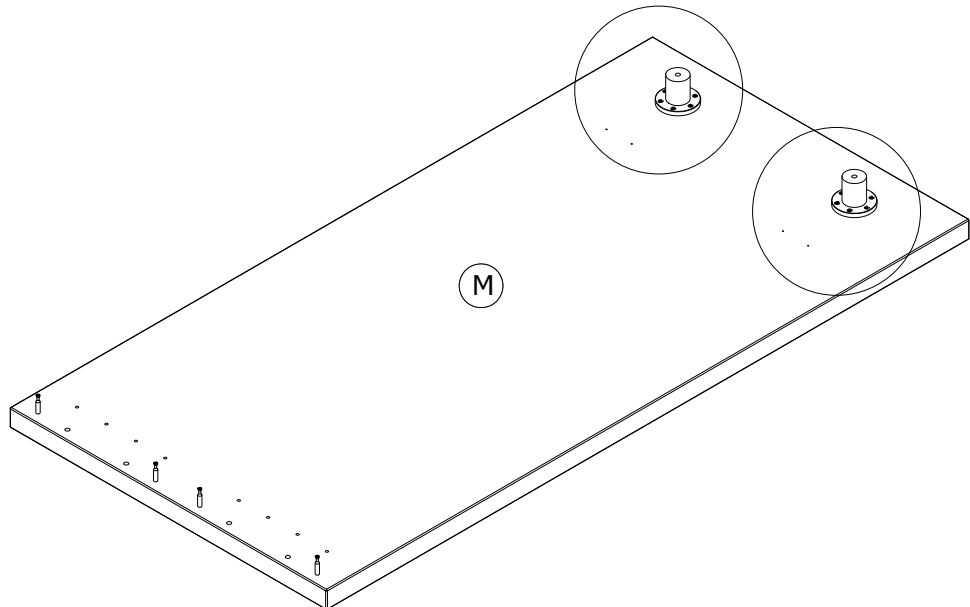
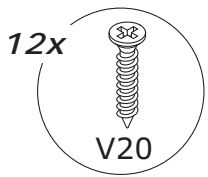
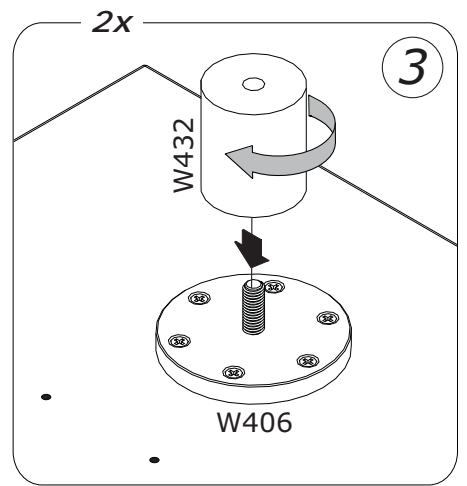
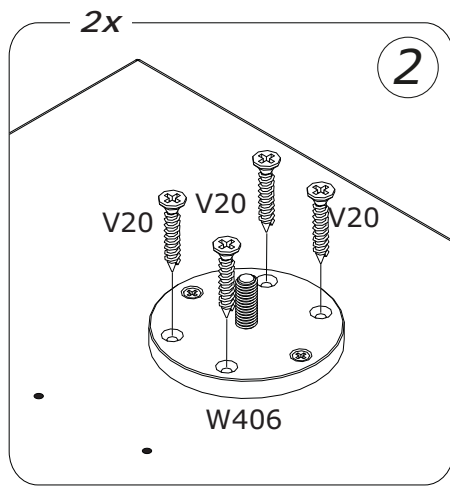
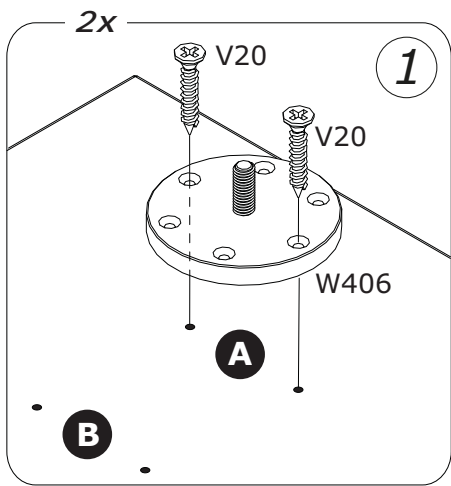


8

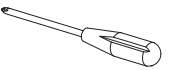
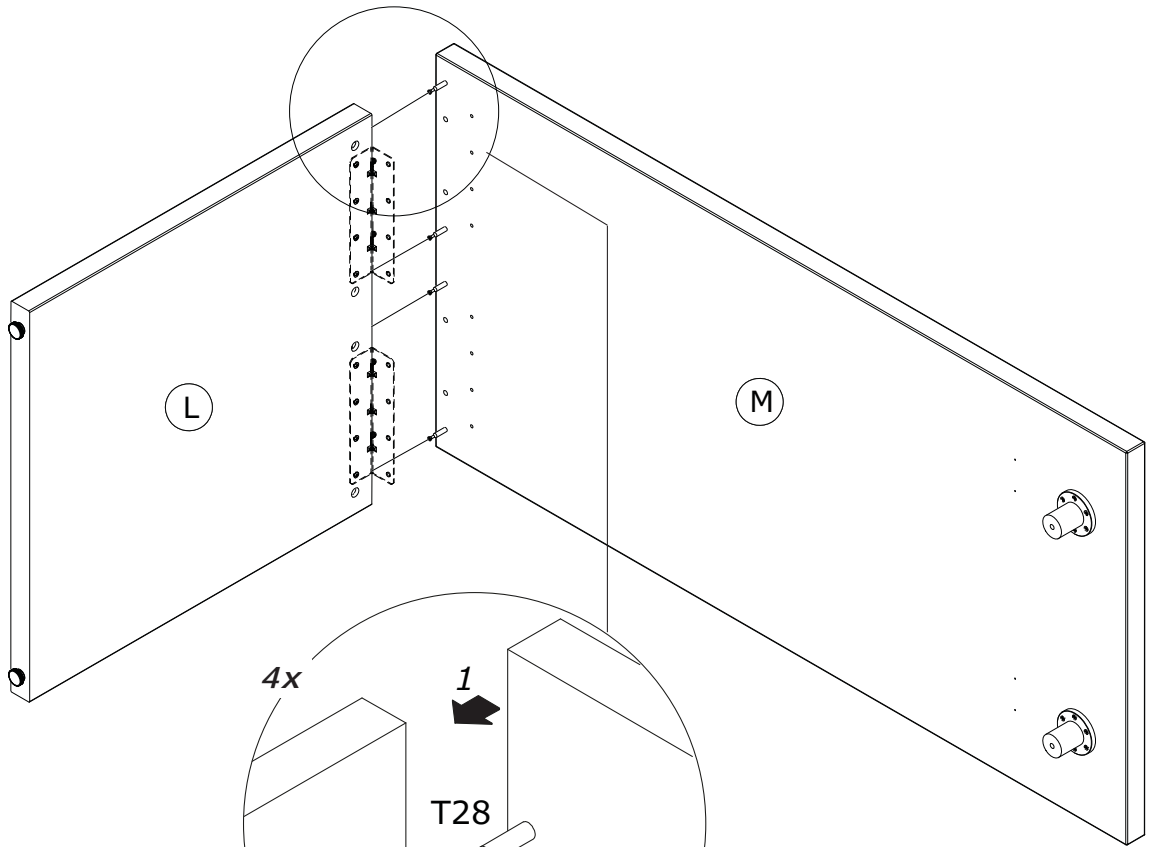




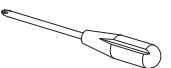
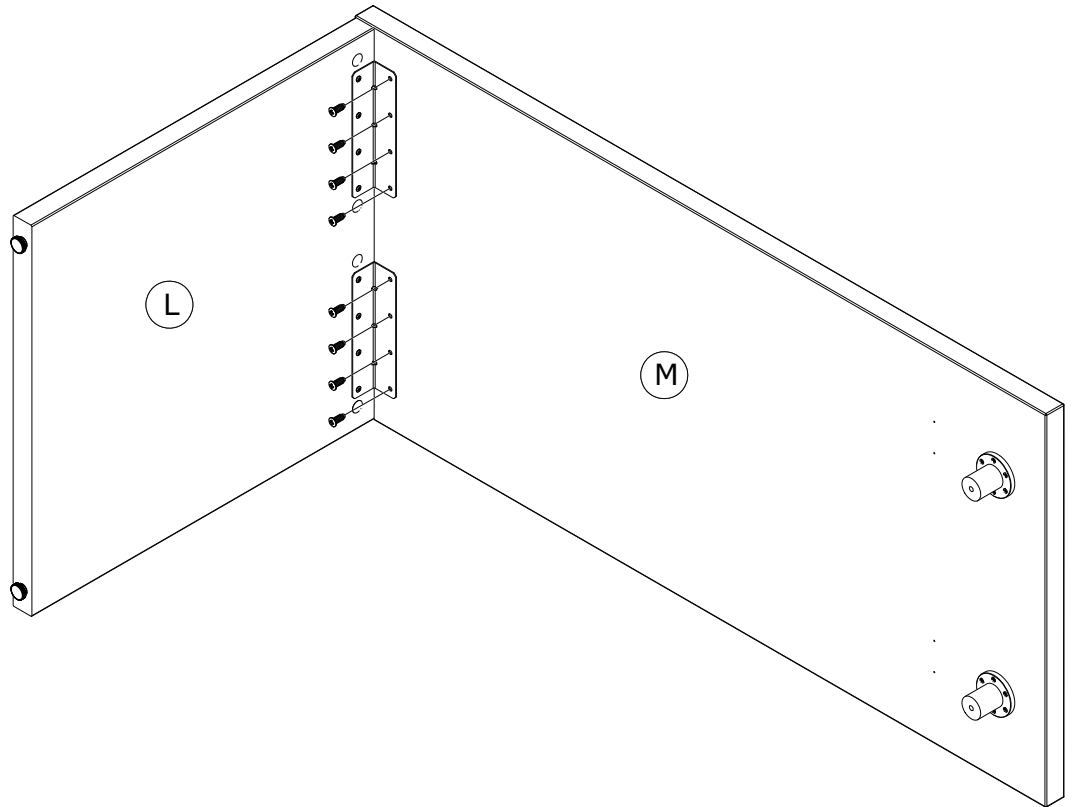
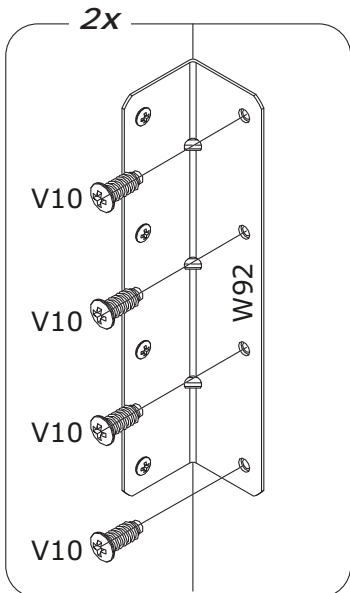
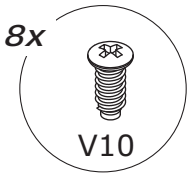
9

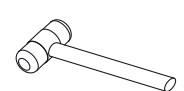
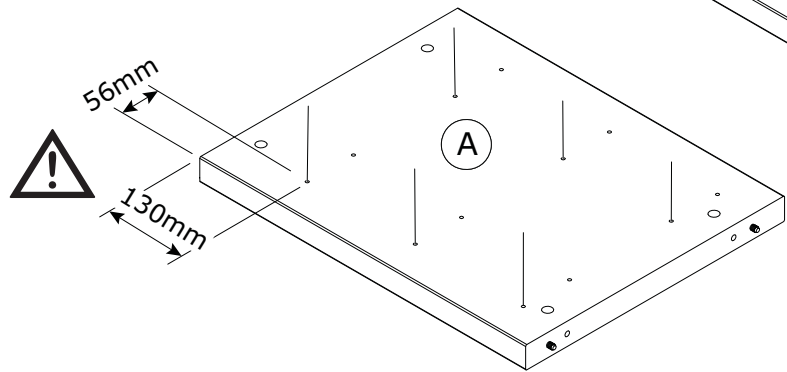
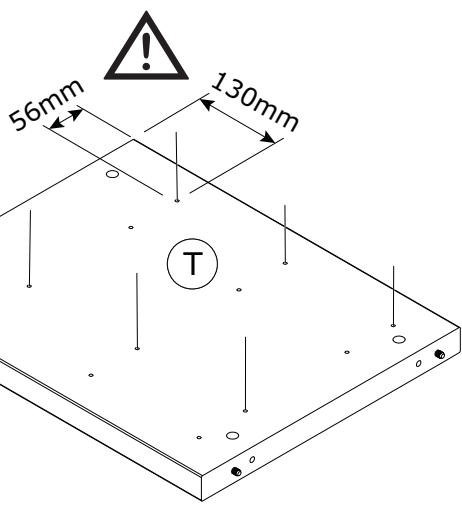
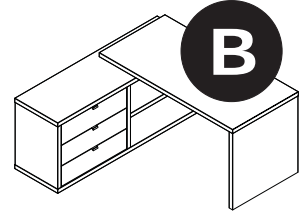
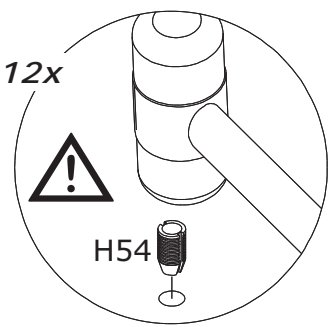
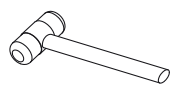
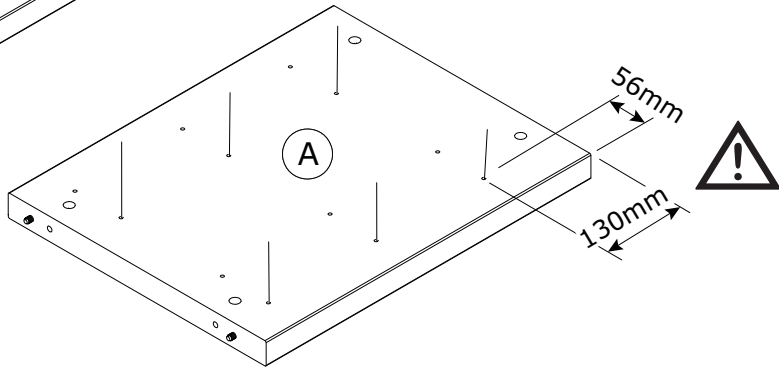
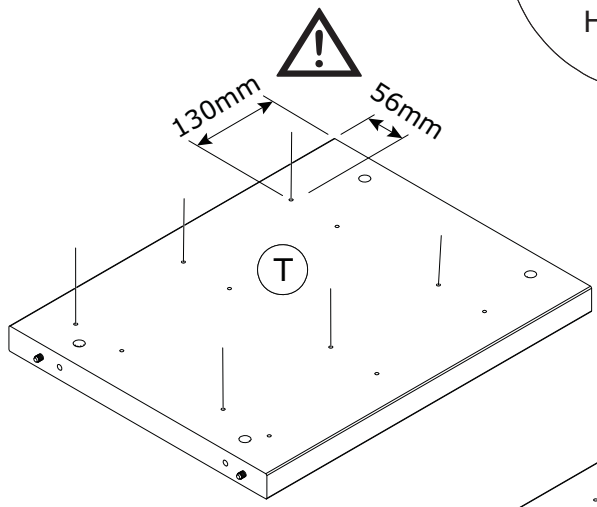
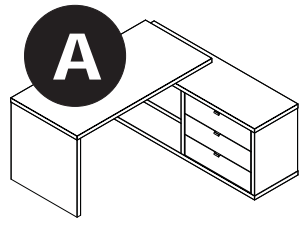
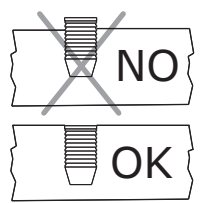
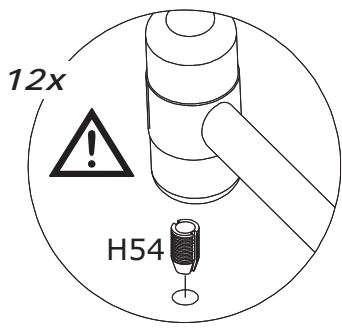


10



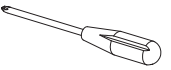
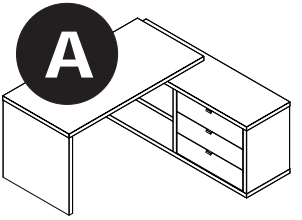
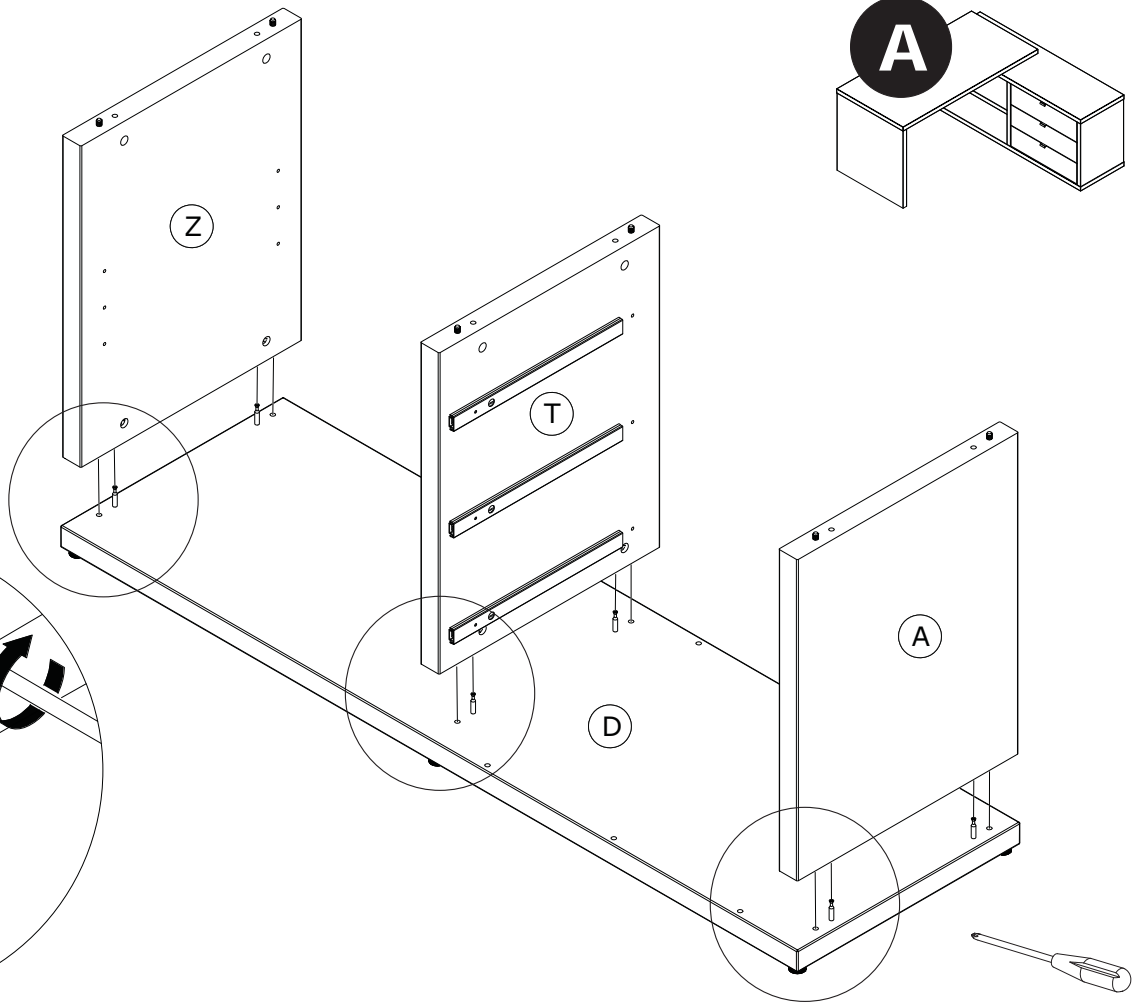
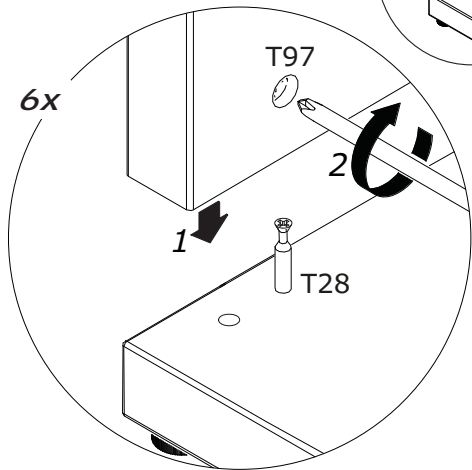
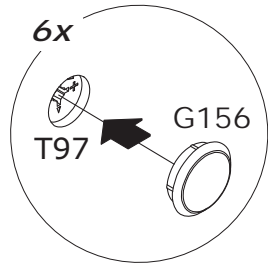
11



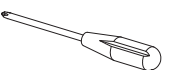
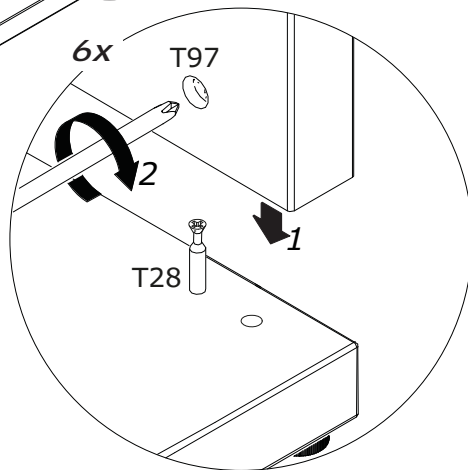
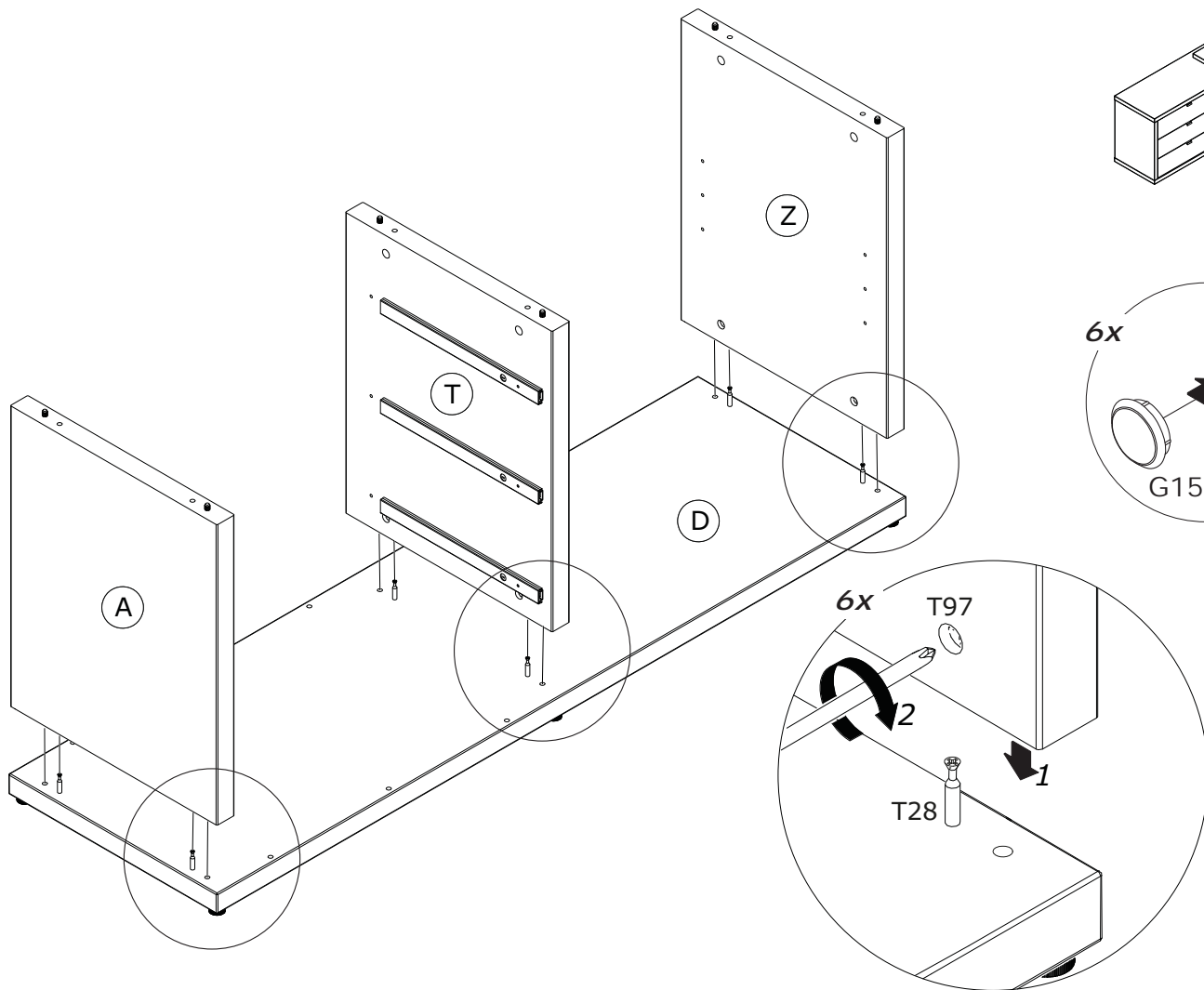
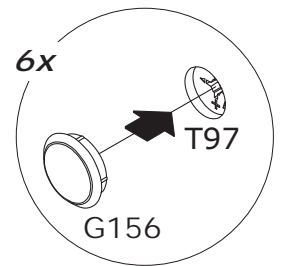




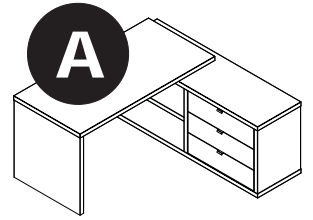
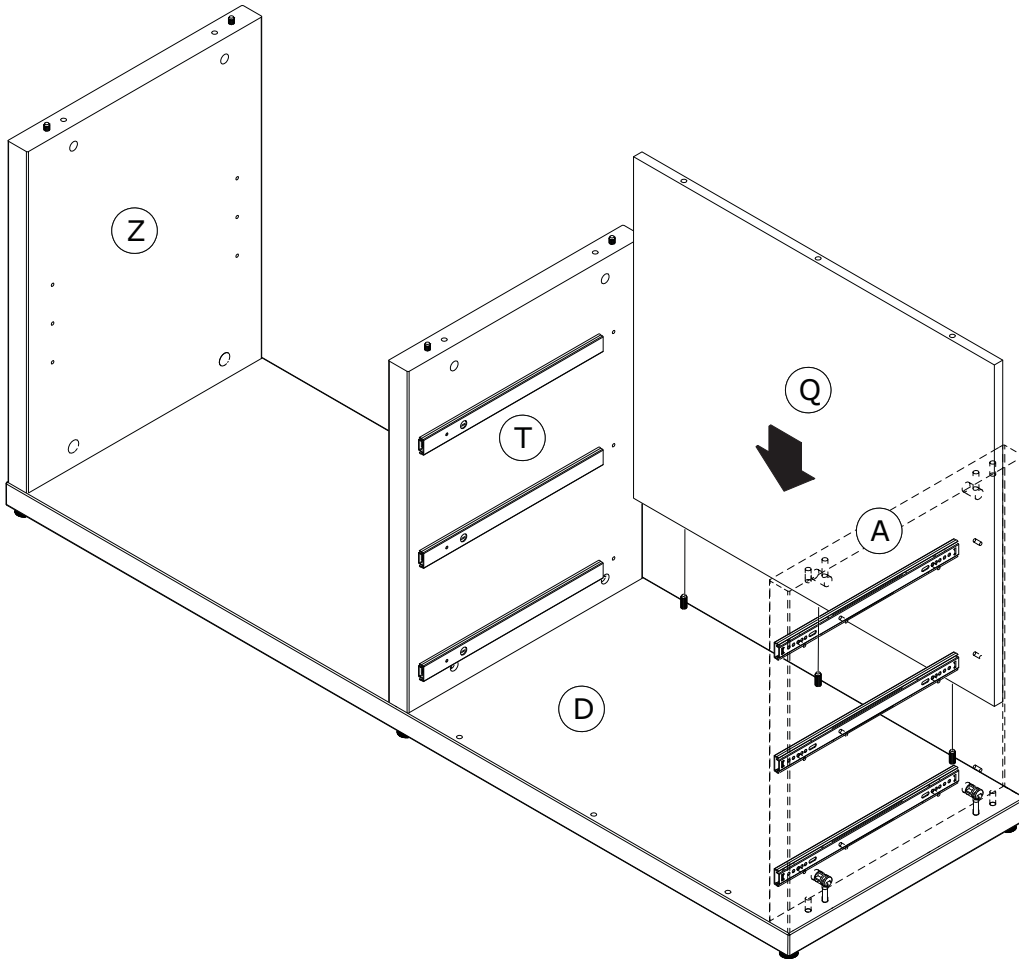
14



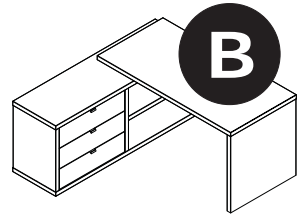
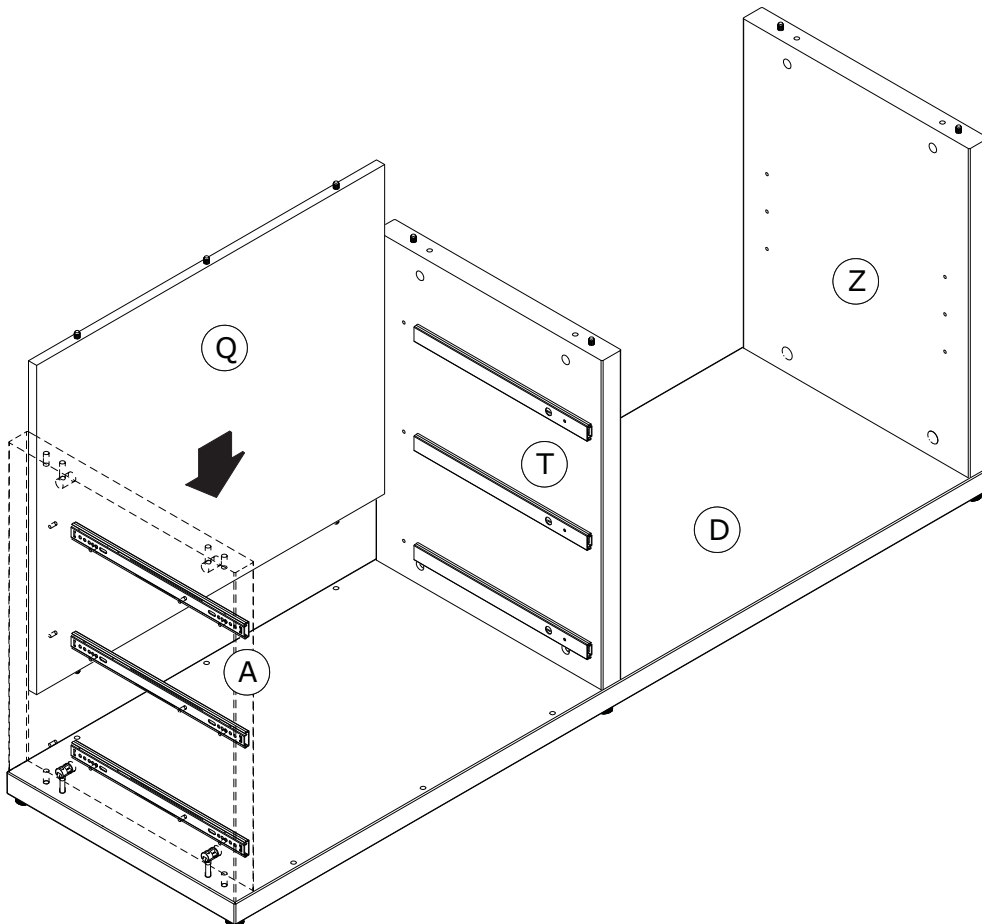
B

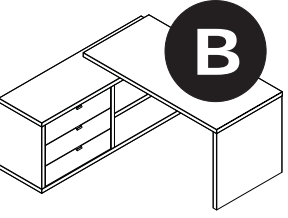
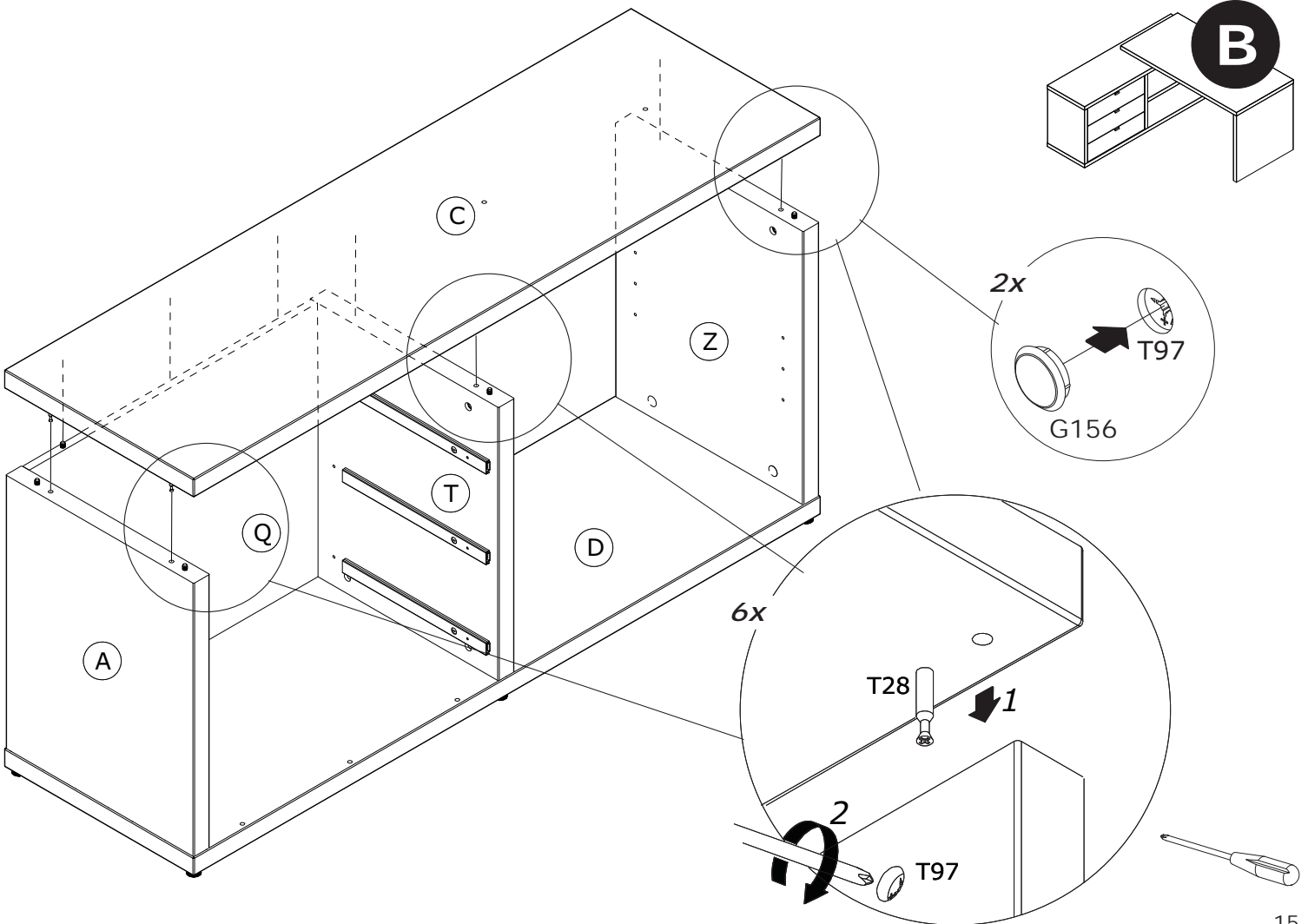
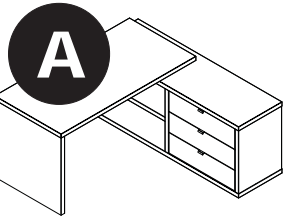
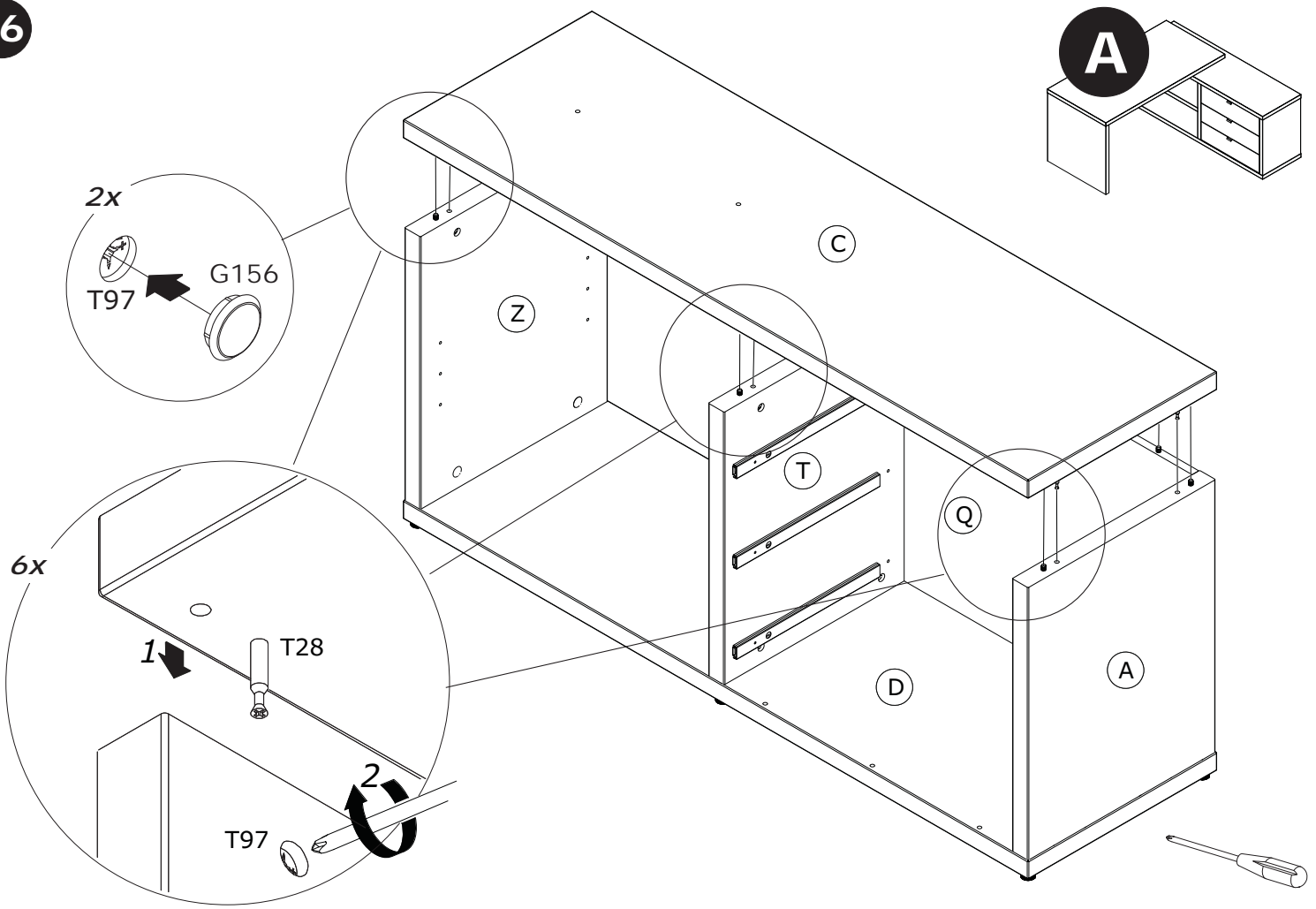


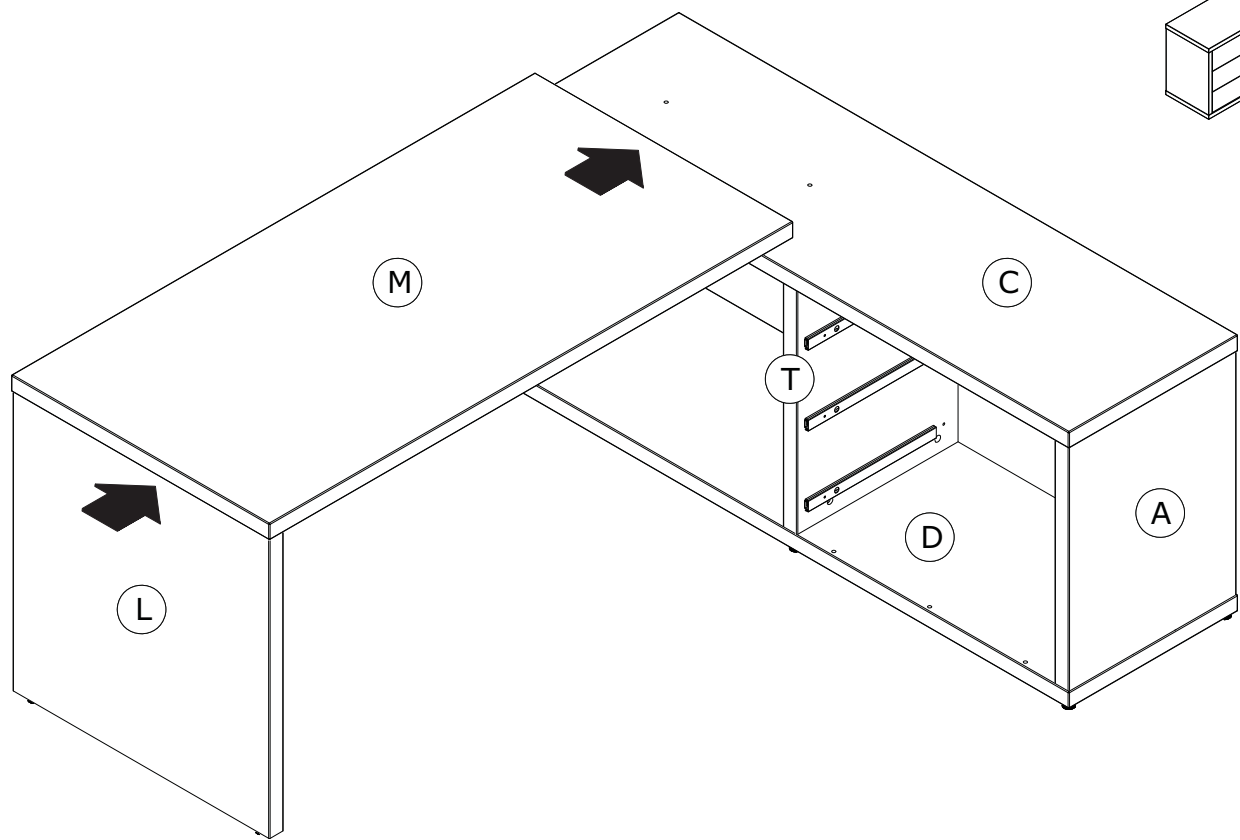
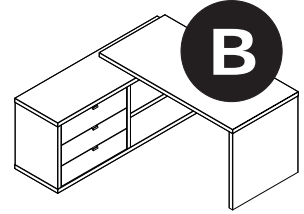
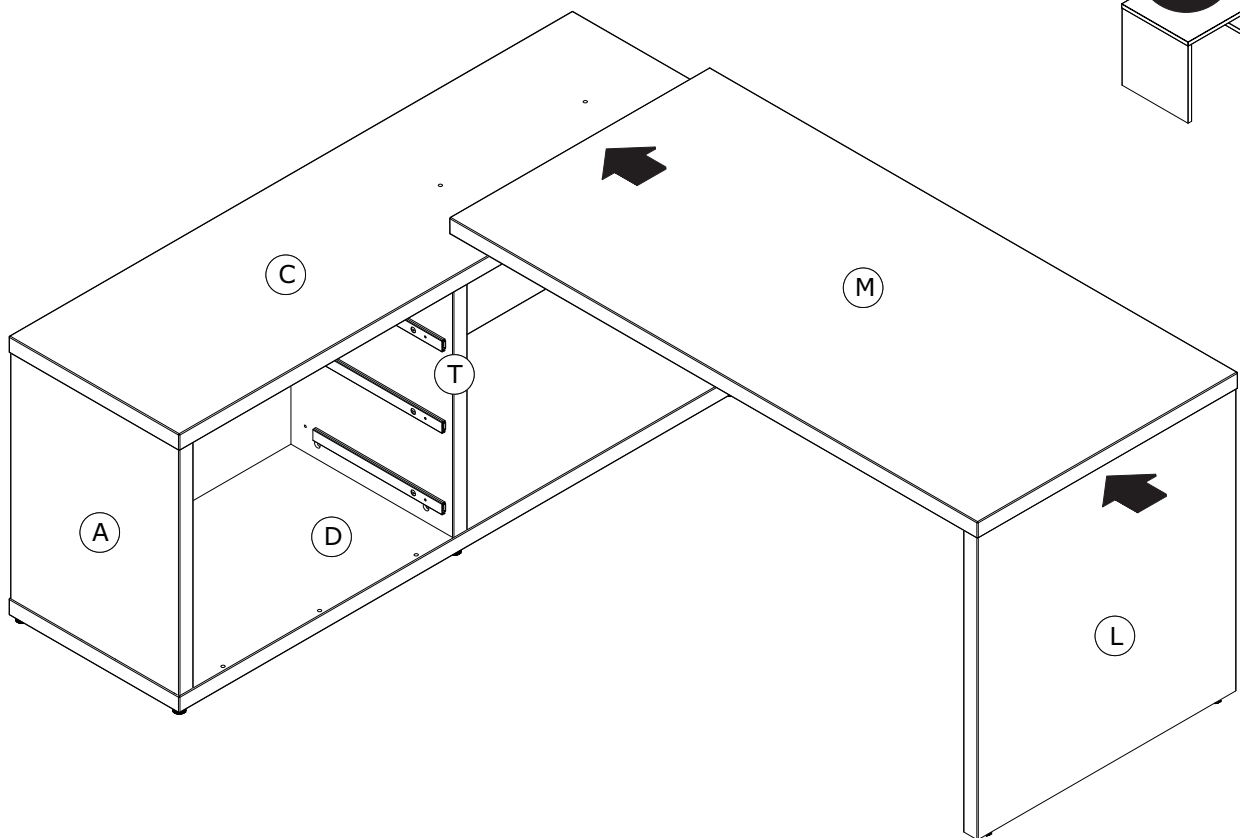
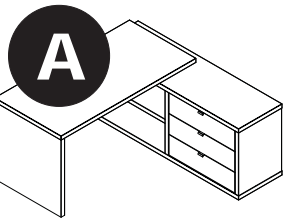
15



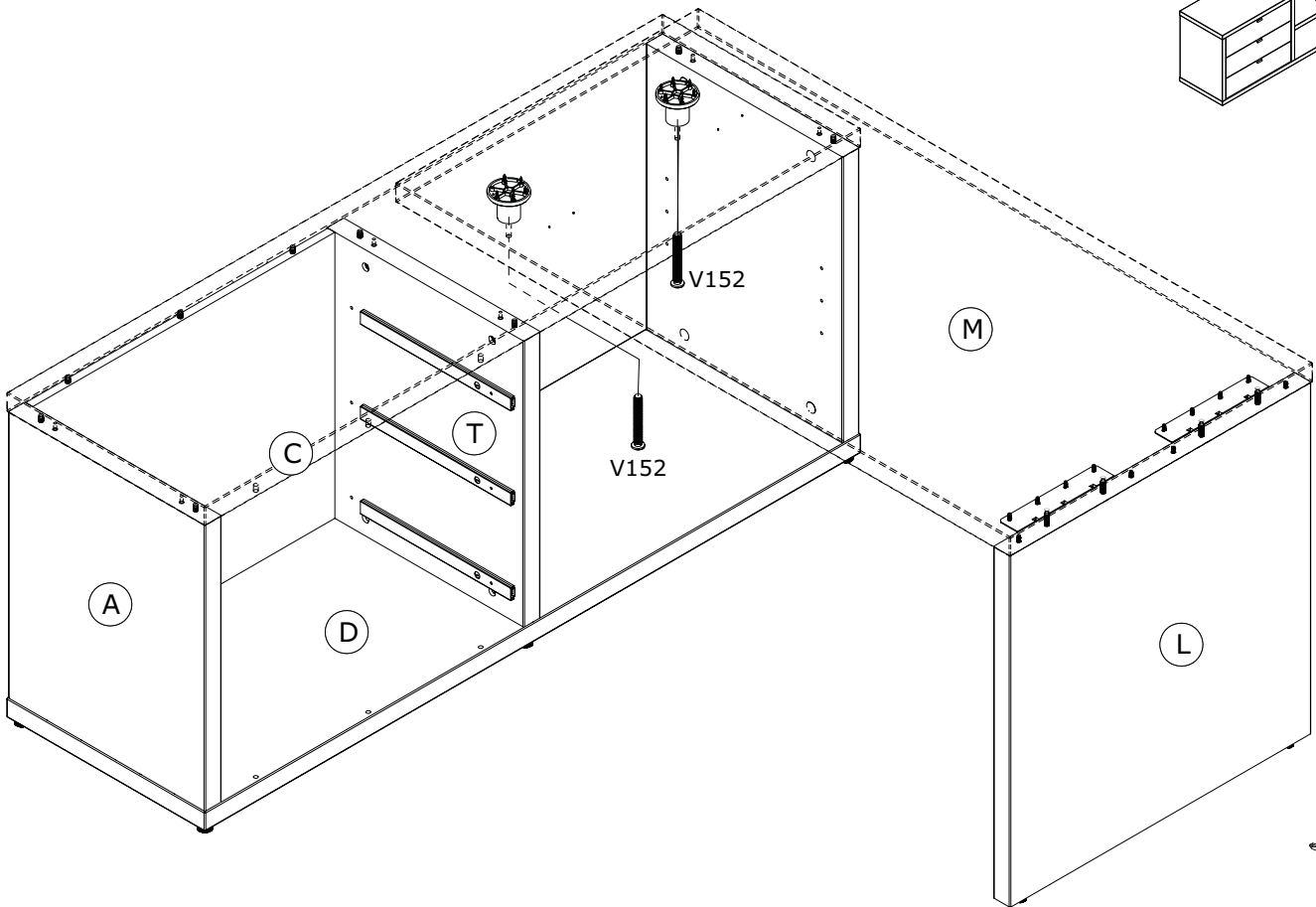
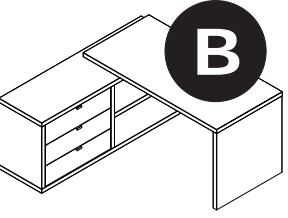
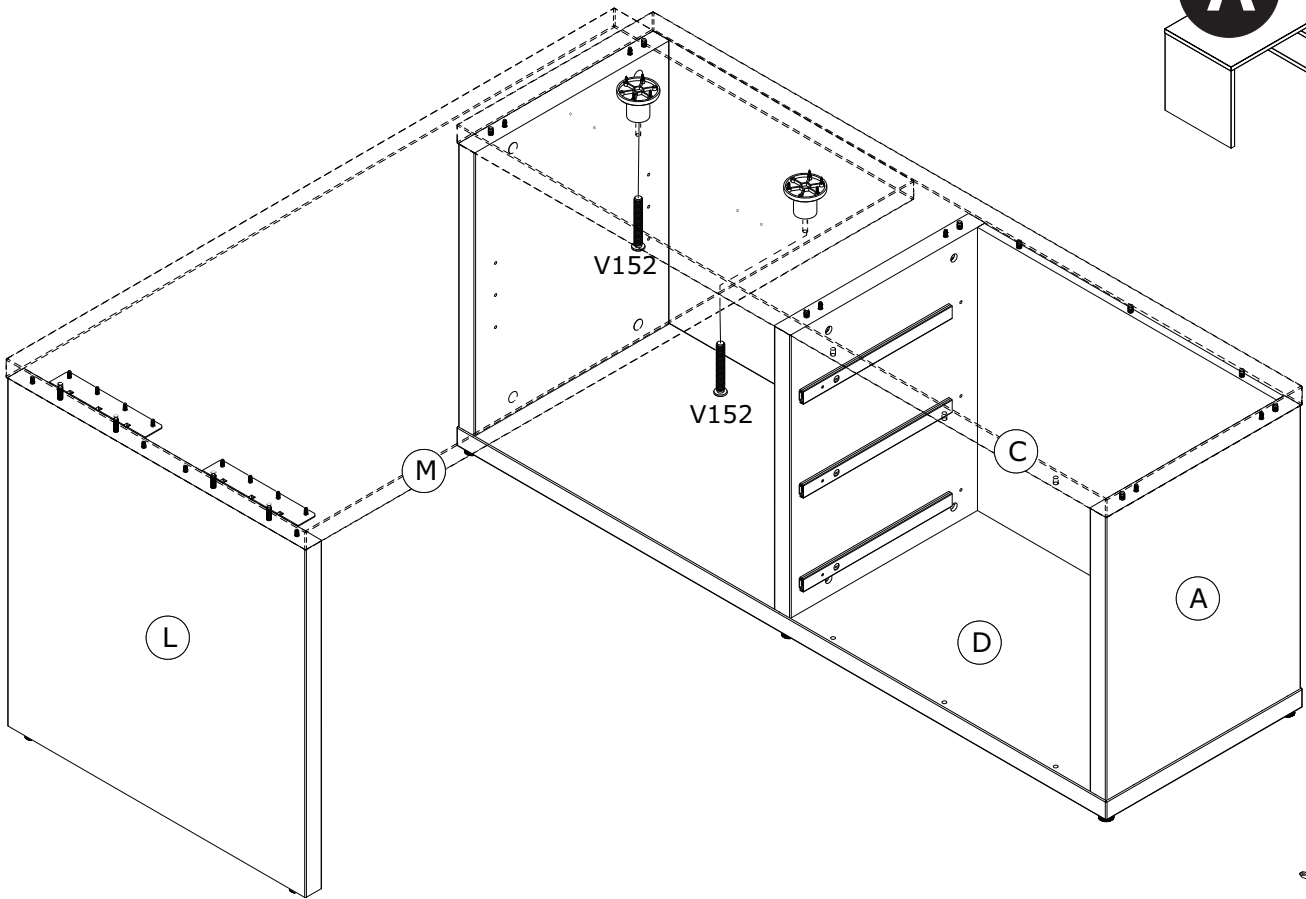
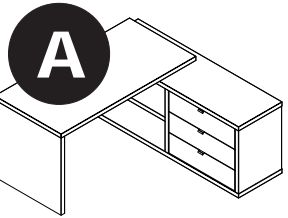
B



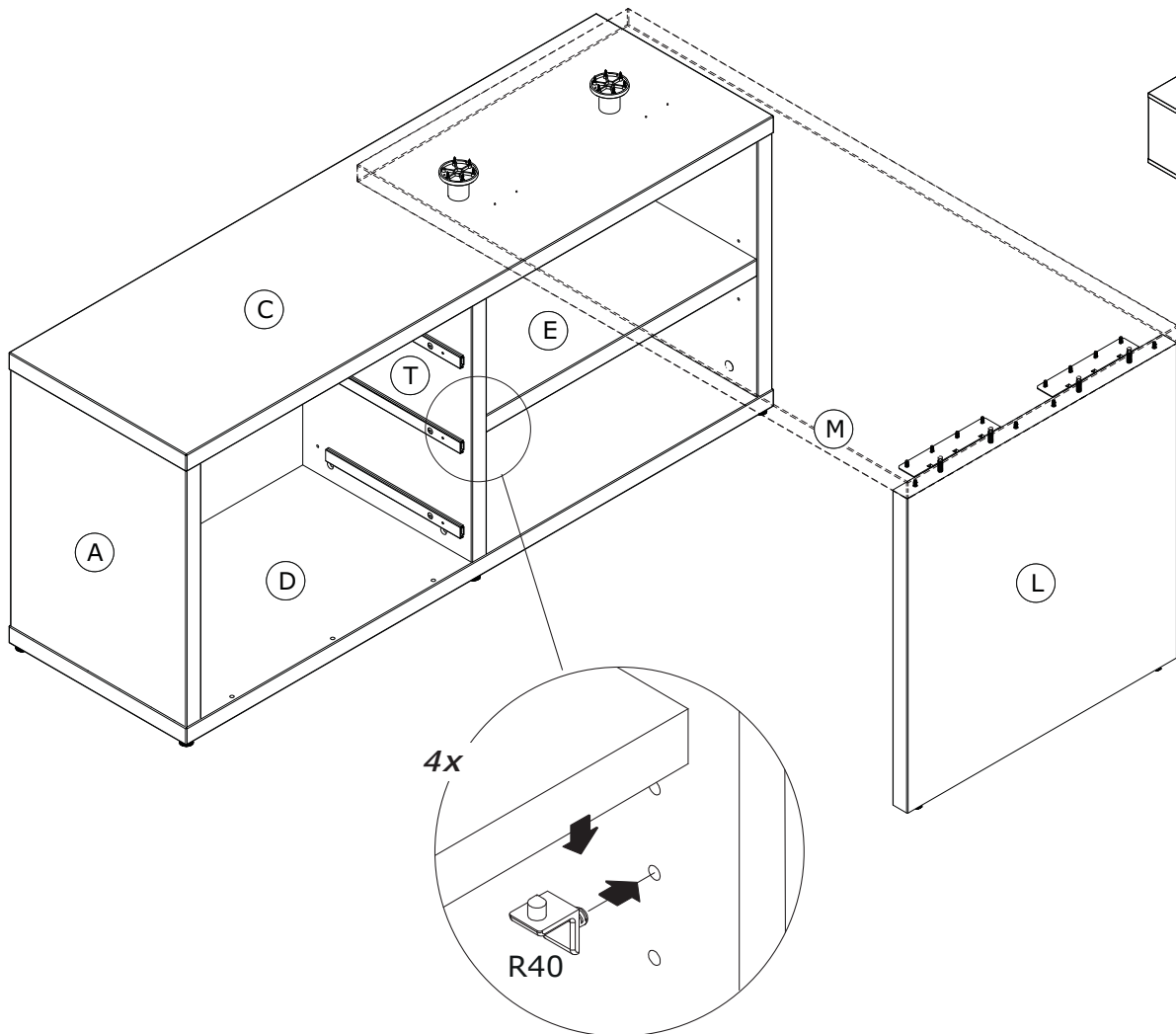
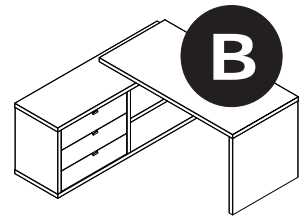
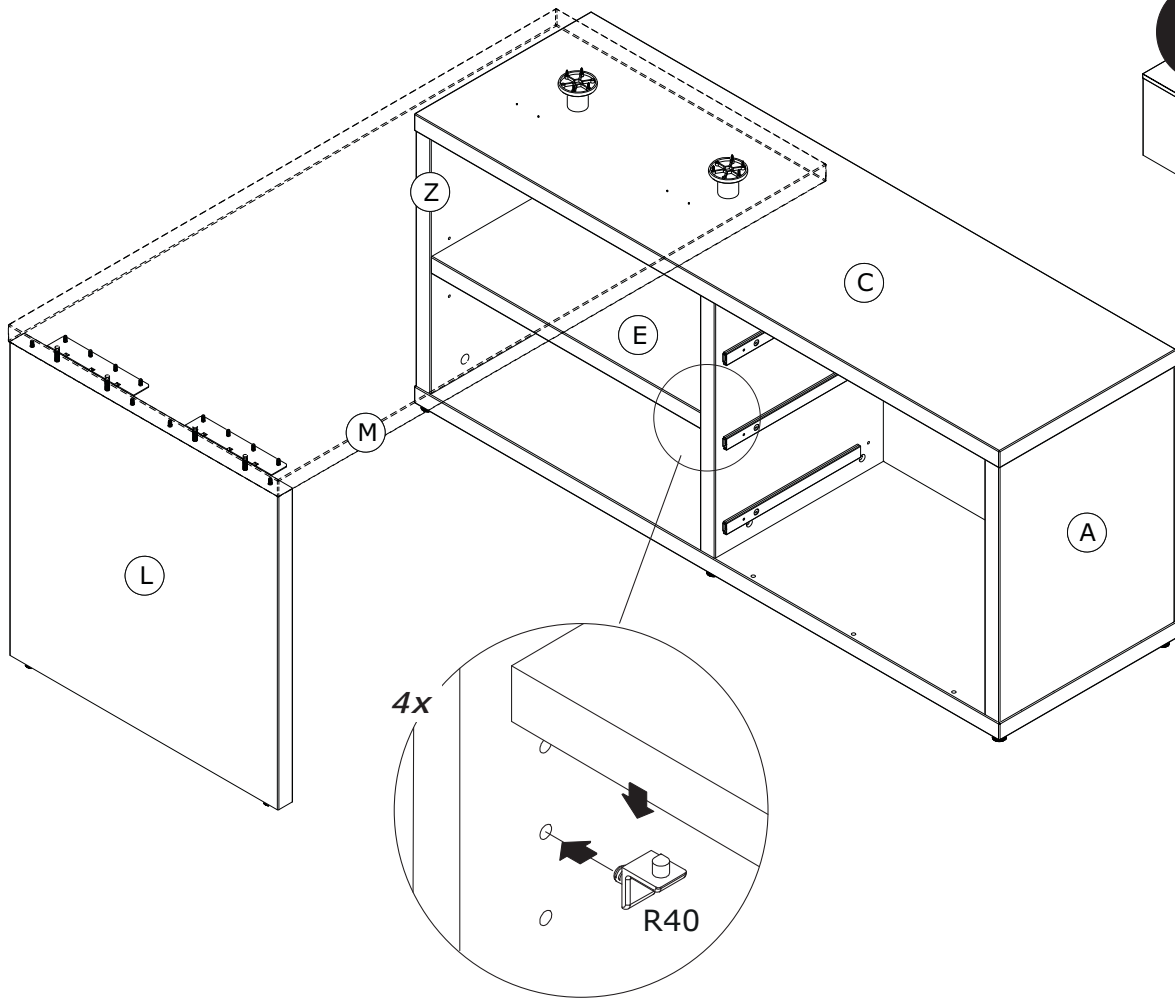
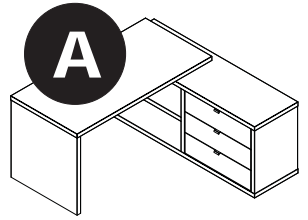








17

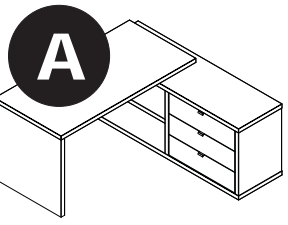


18

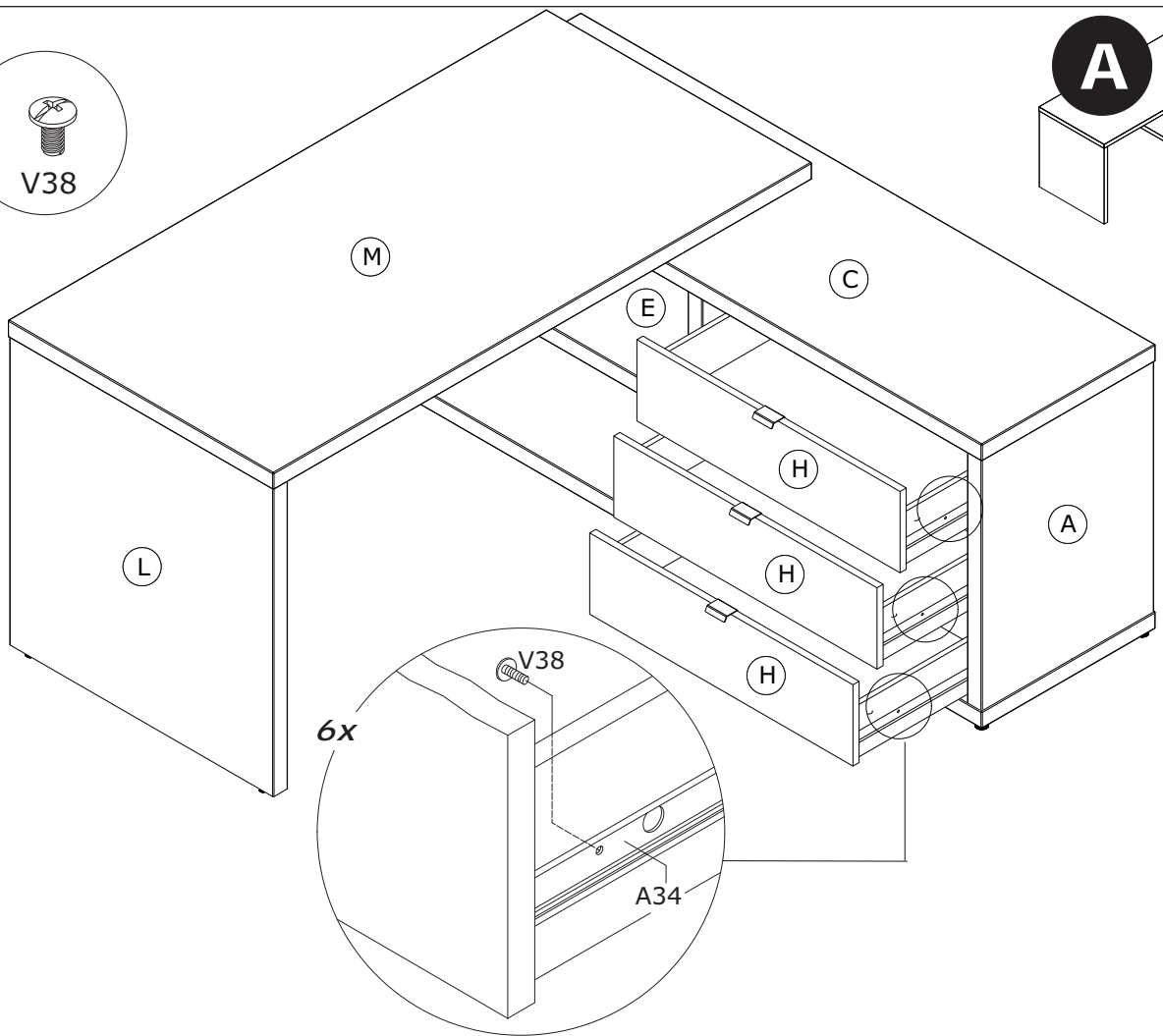
6x



V38



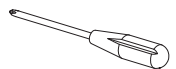
A



6x

V38

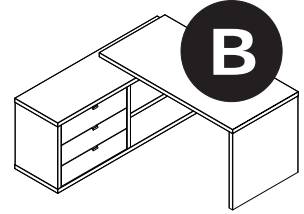
A34



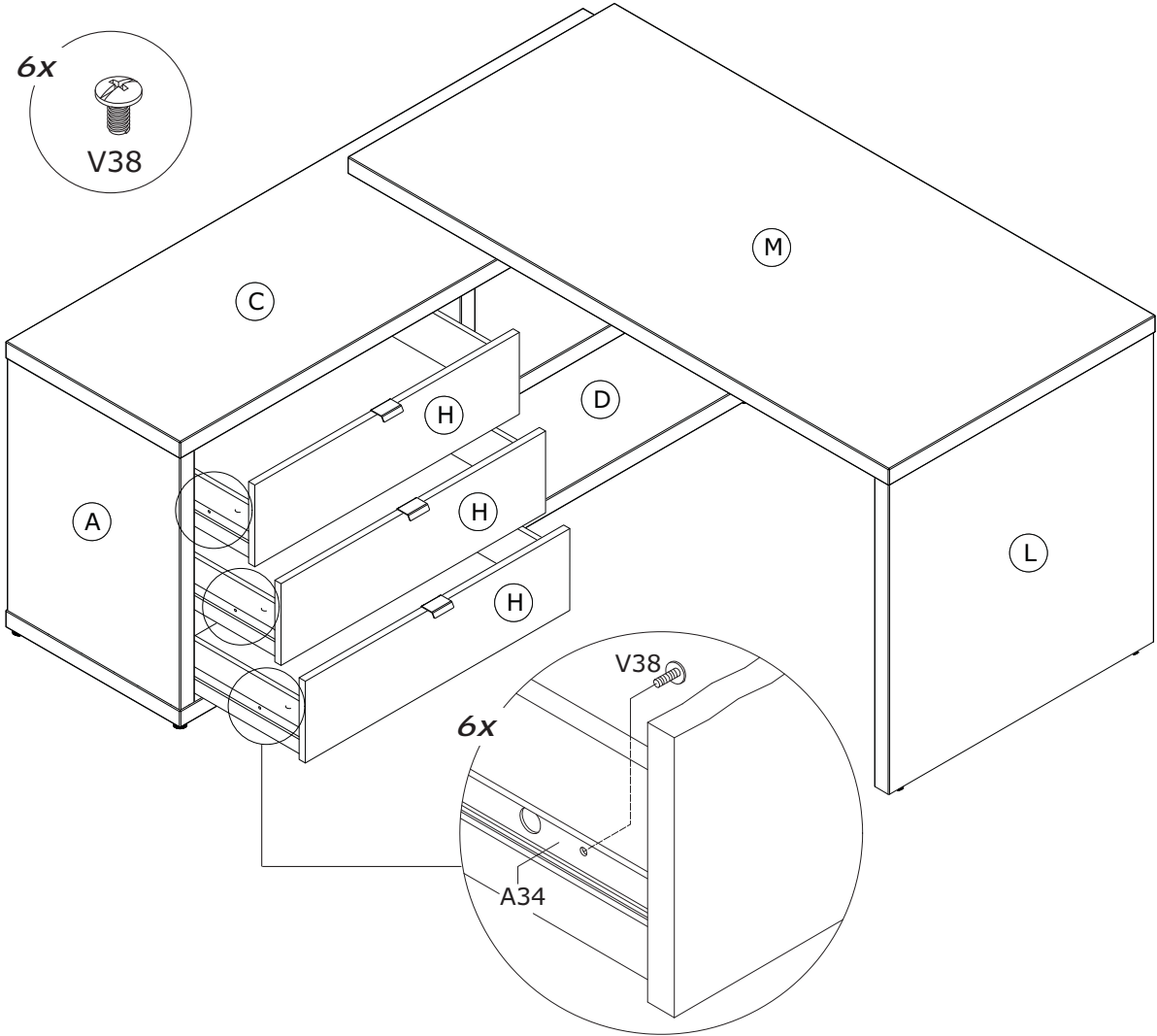
6x



V38



B



6x

V38

A34

