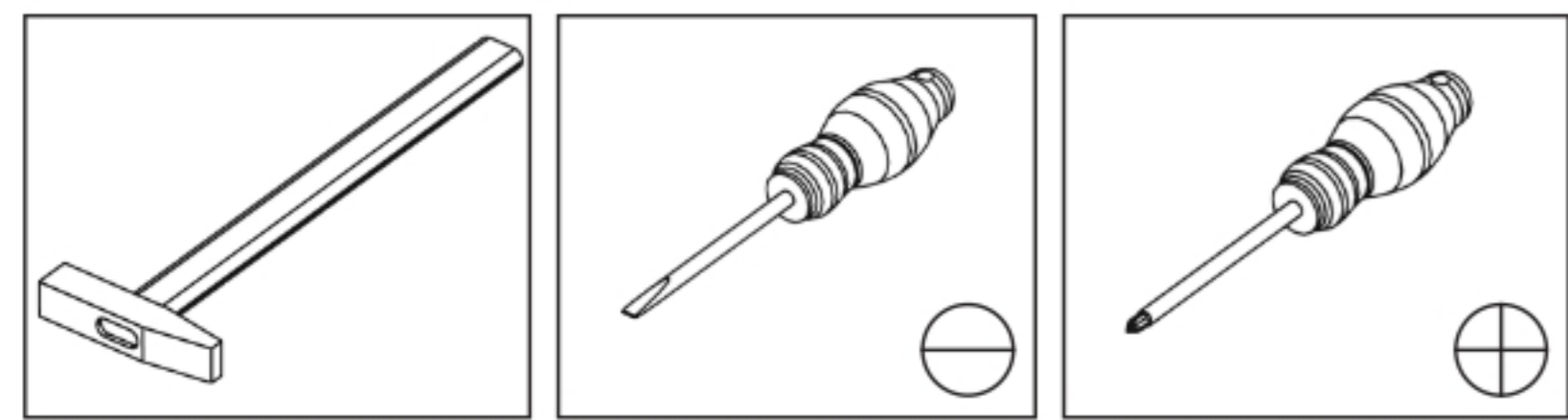
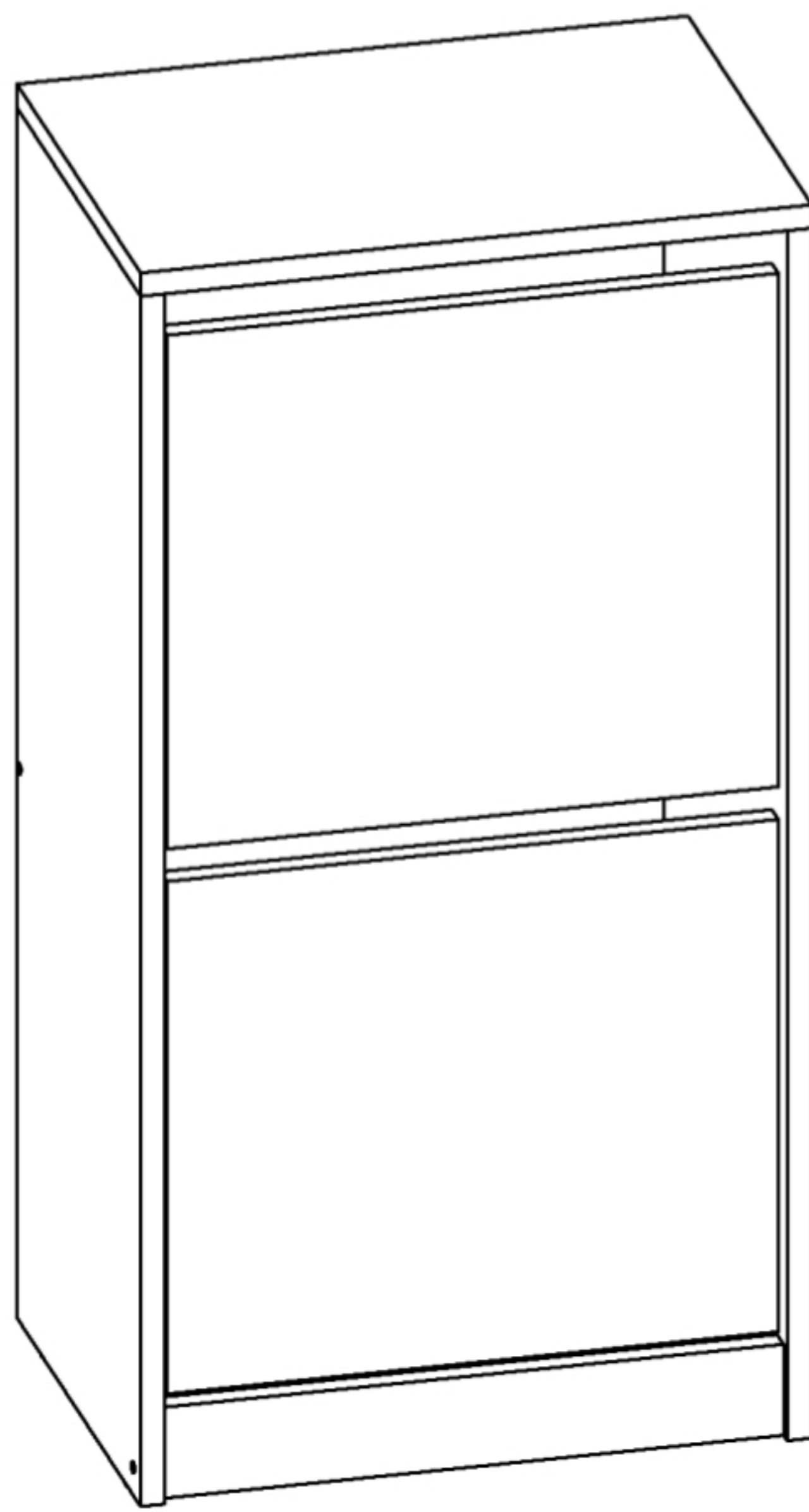

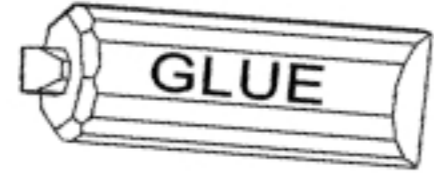
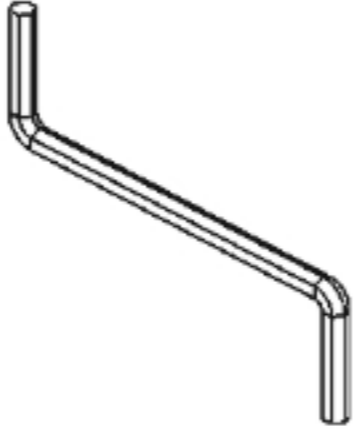
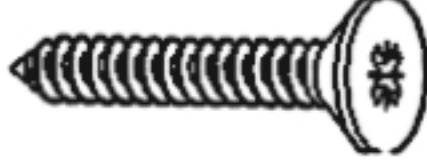
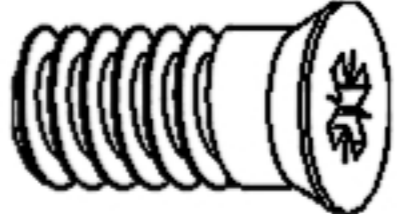
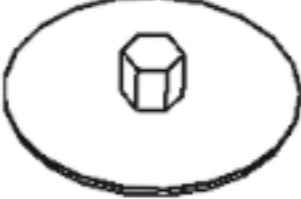

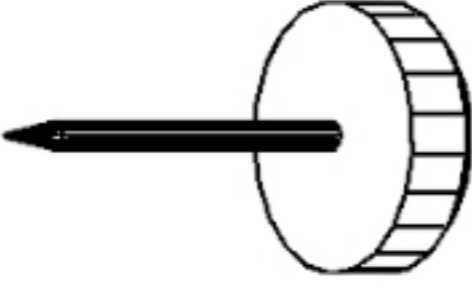
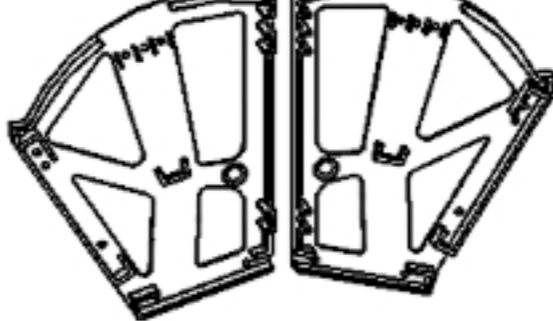
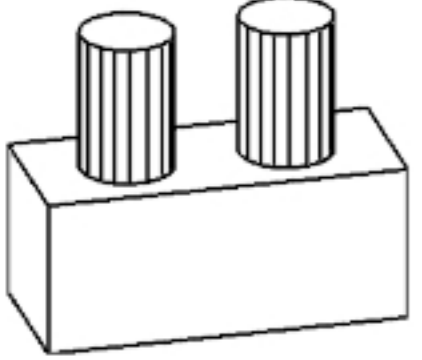
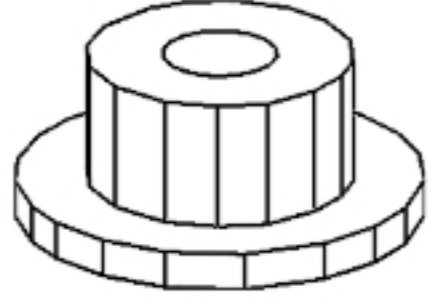
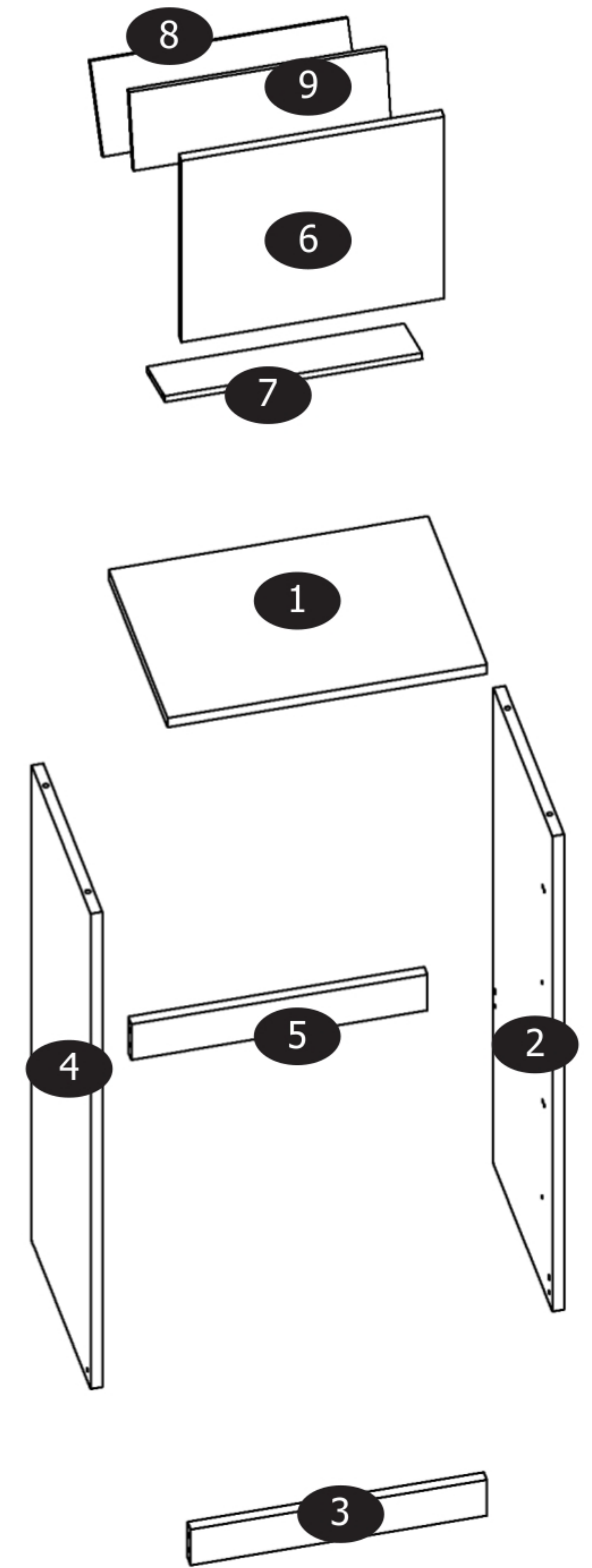


BETSI 2

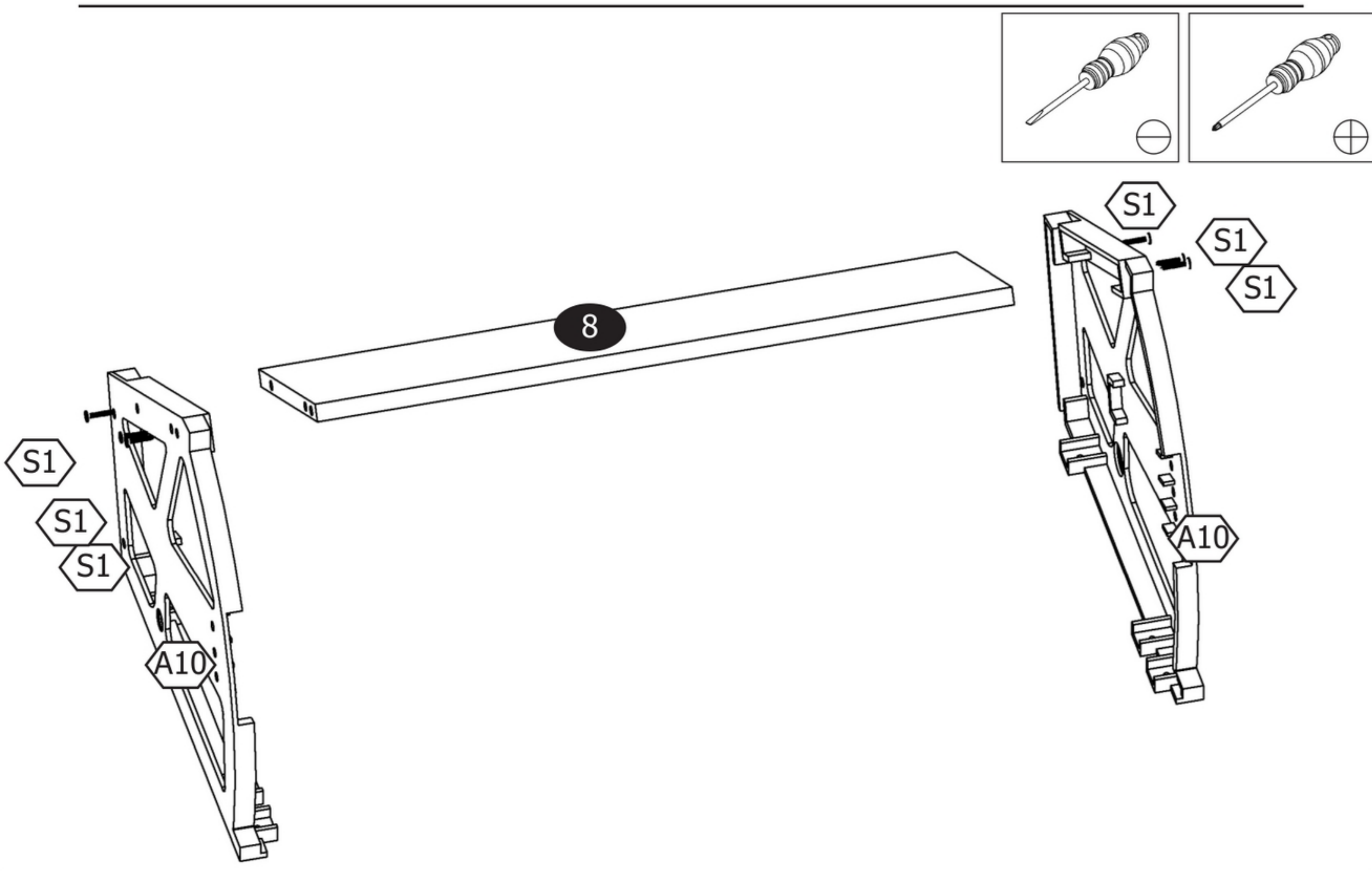


<p>F1</p>  <p>x4</p>	<p>X1</p>  <p>x1</p>	<p>K1</p>  <p>x1</p>
<p>S1</p>  <p>x24 2,5x13mm</p>	<p>S15</p>  <p>x16 6,3x13mm</p>	<p>F6</p>  <p>x6</p>
<p>E1</p>  <p>x8 Ø8mm</p>	<p>T1</p>  <p>x4</p>	<p>A10</p>  <p>x2</p>
<p>A11</p>  <p>x4</p>	<p>A12</p>  <p>x4</p>	

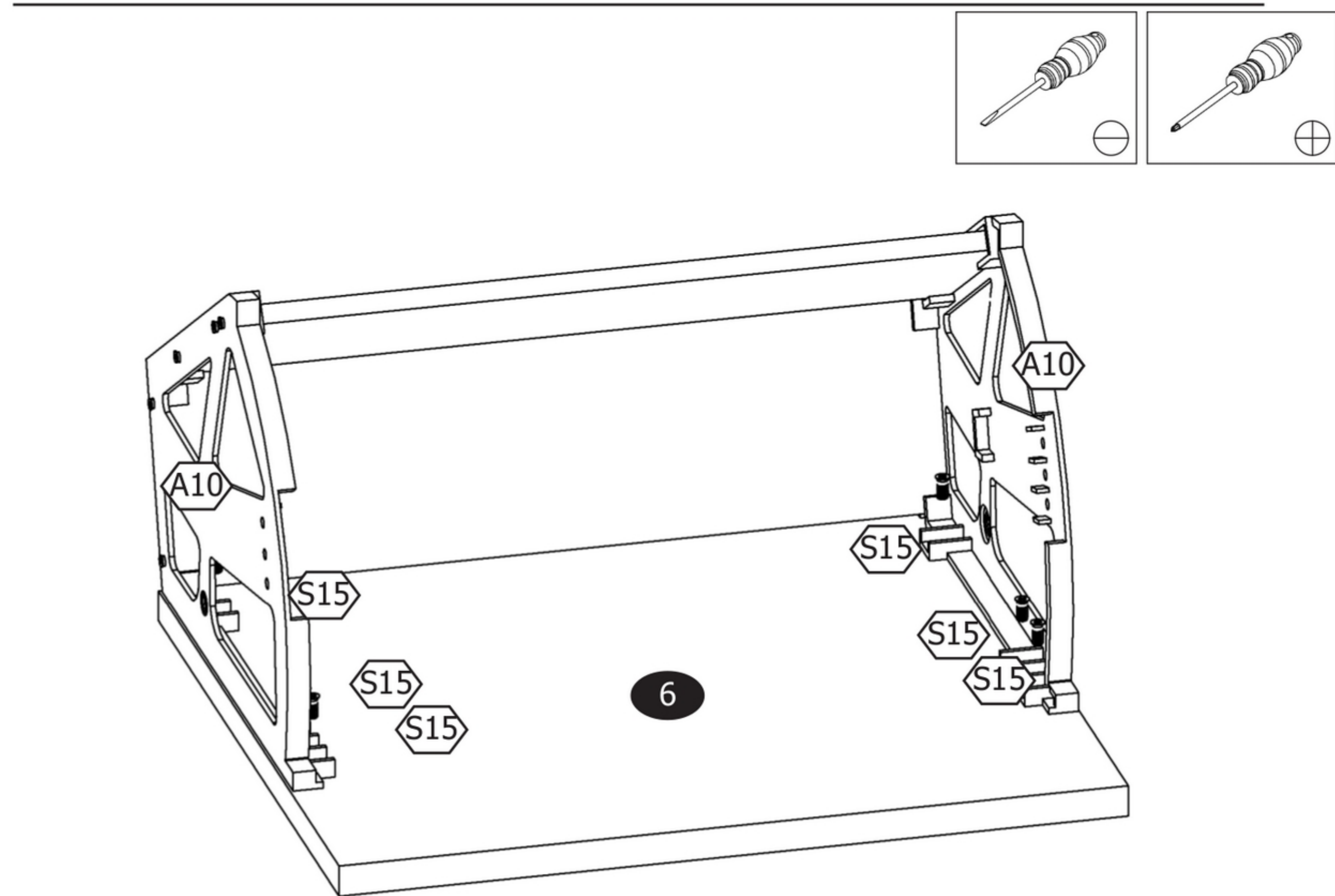
- 1 x1
- 2 x1
- 3 x1
- 4 x1
- 5 x1
- 6 x2
- 7 x2
- 8 x2
- 9 x2



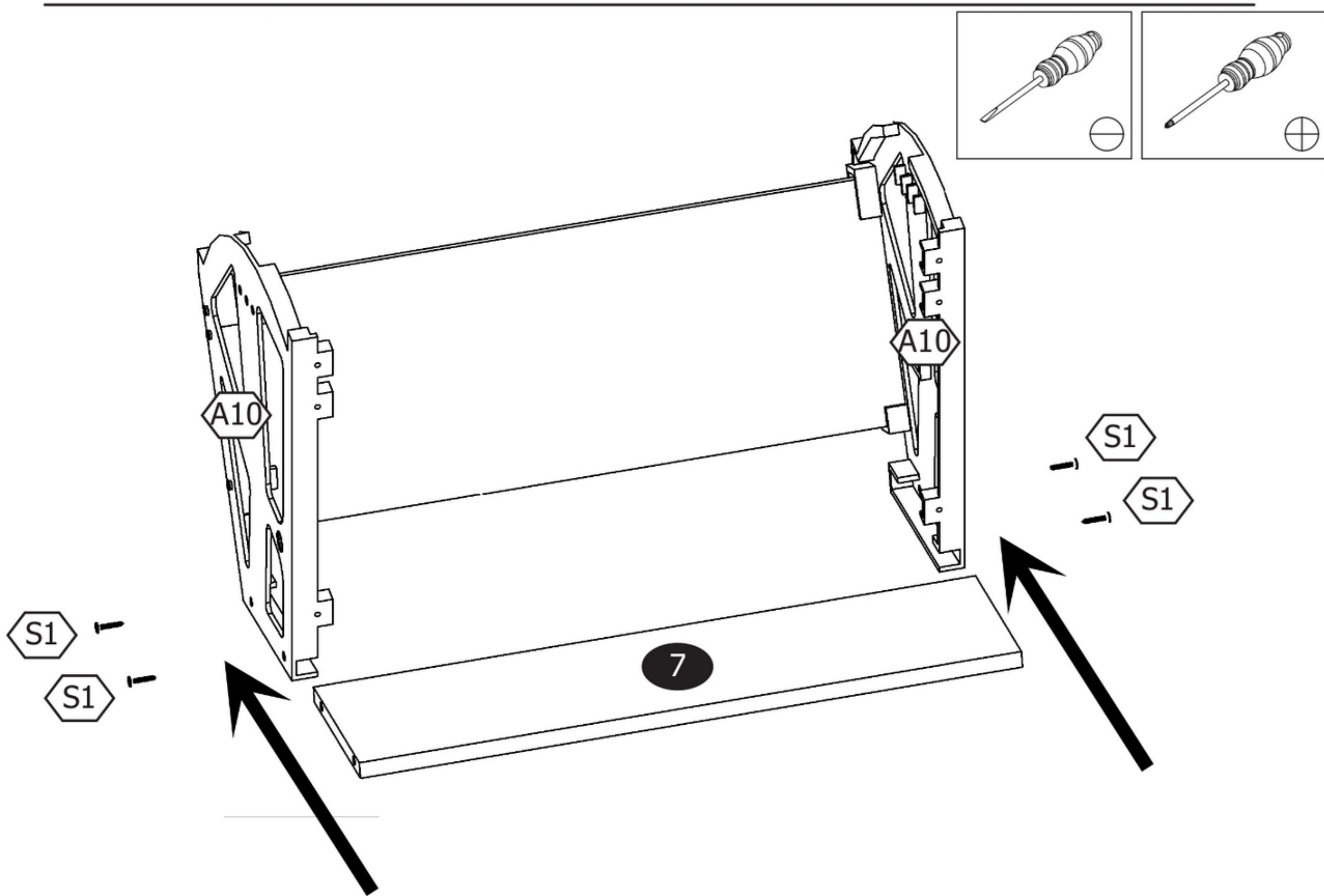
1



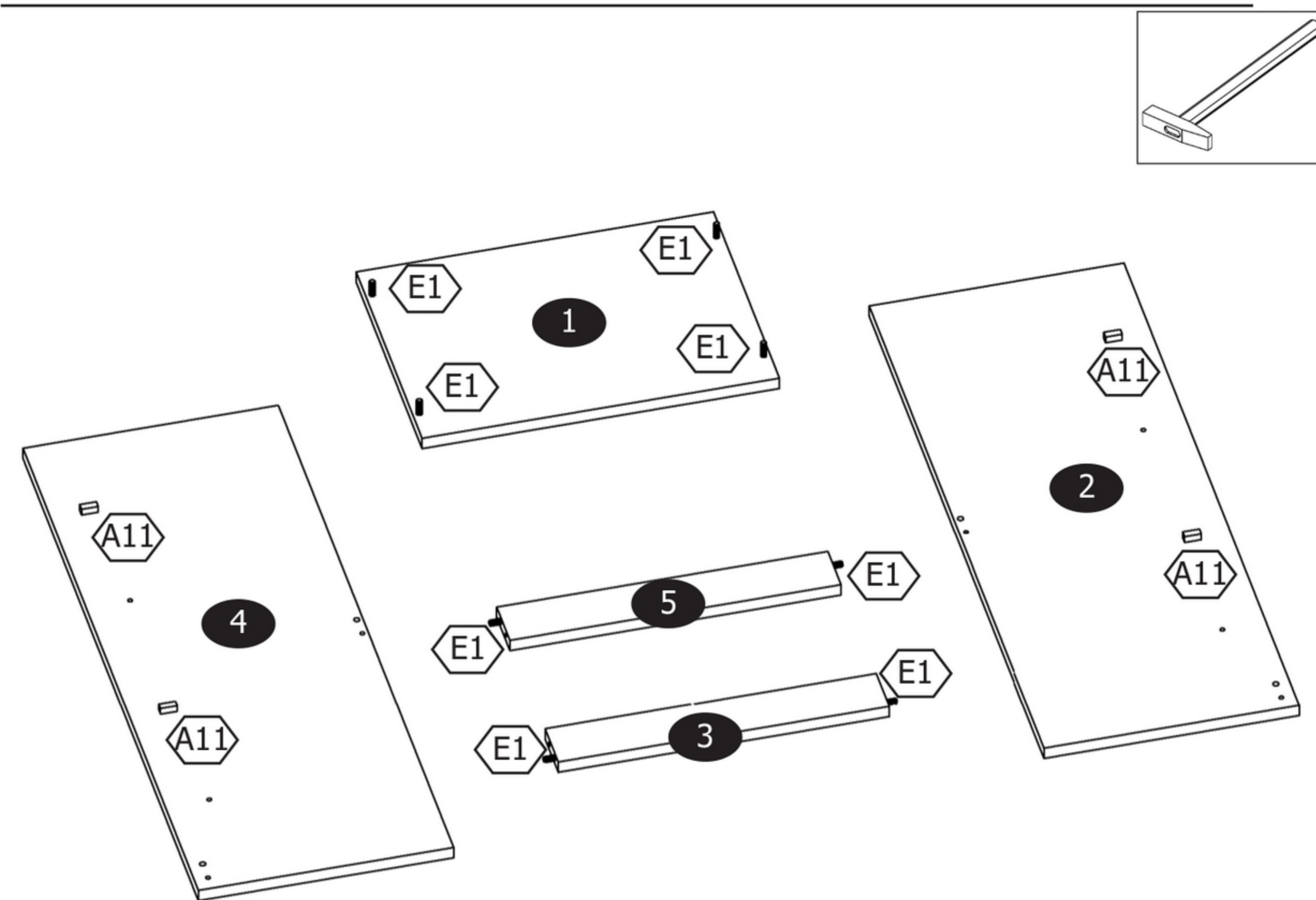
3



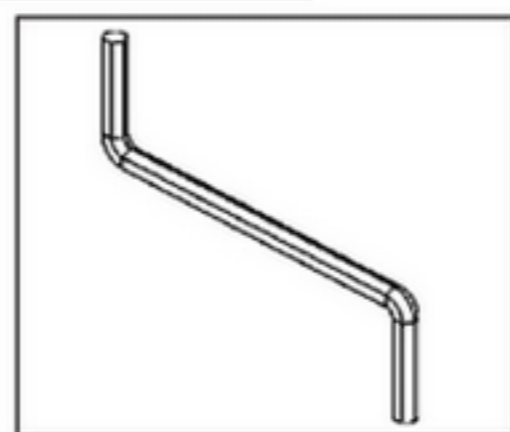
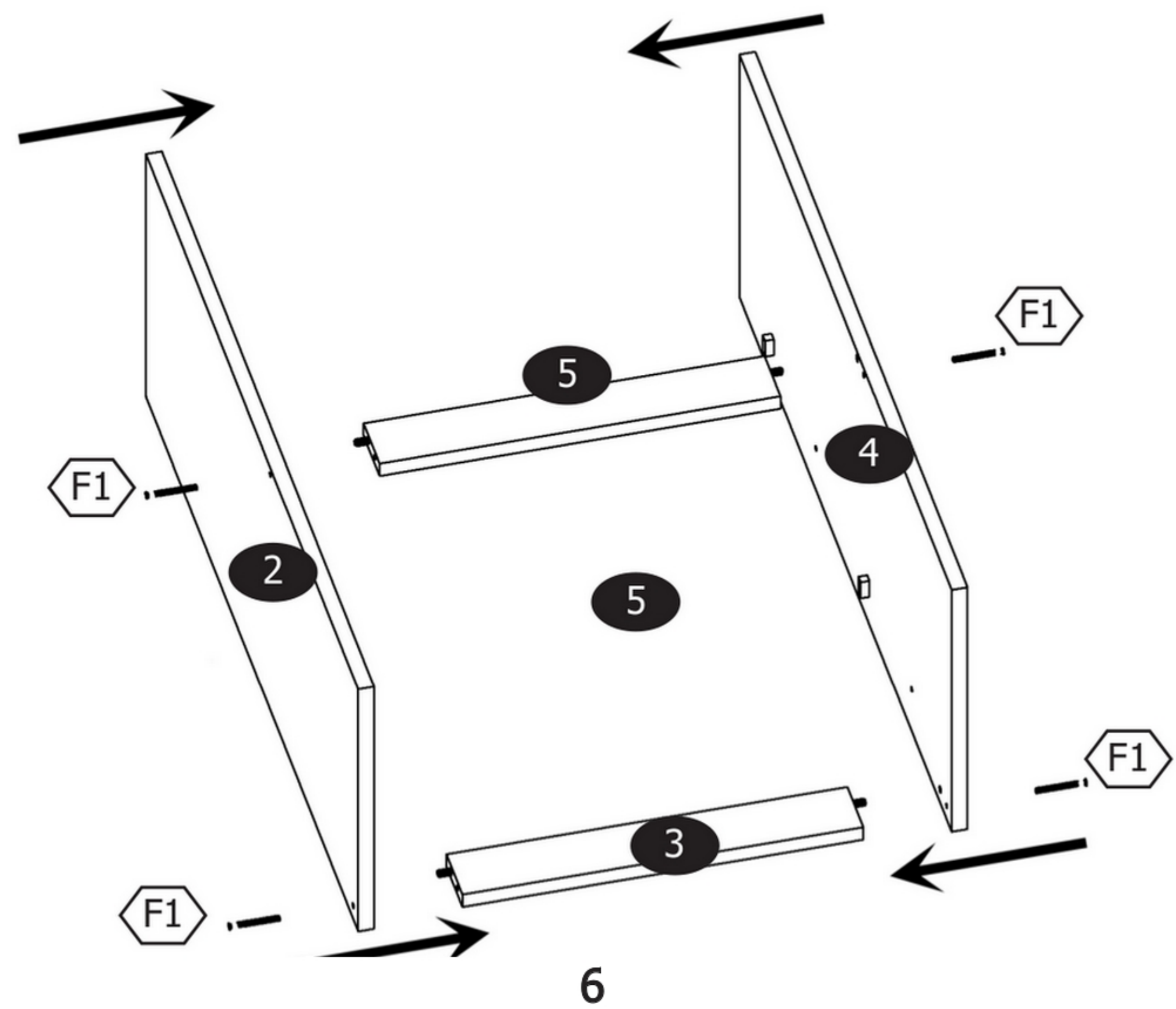
2



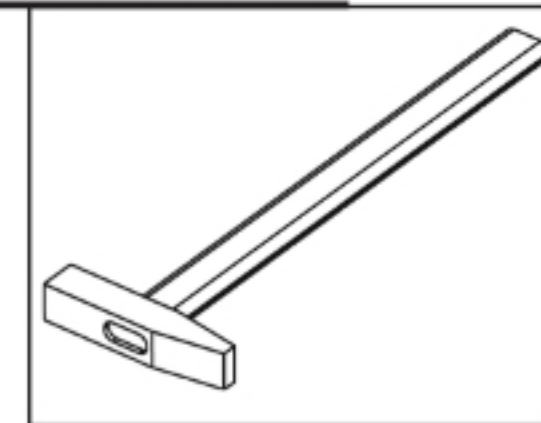
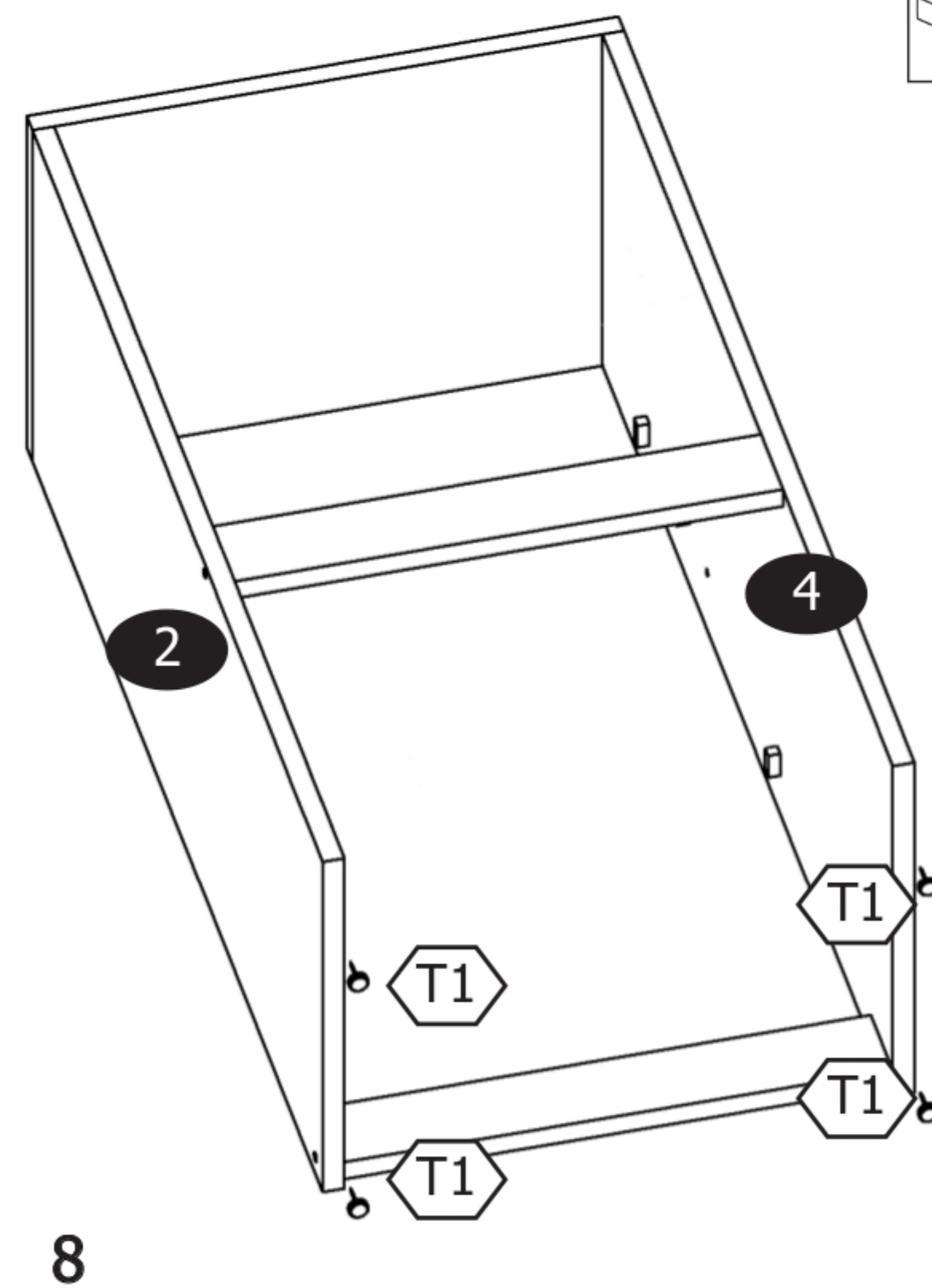
4



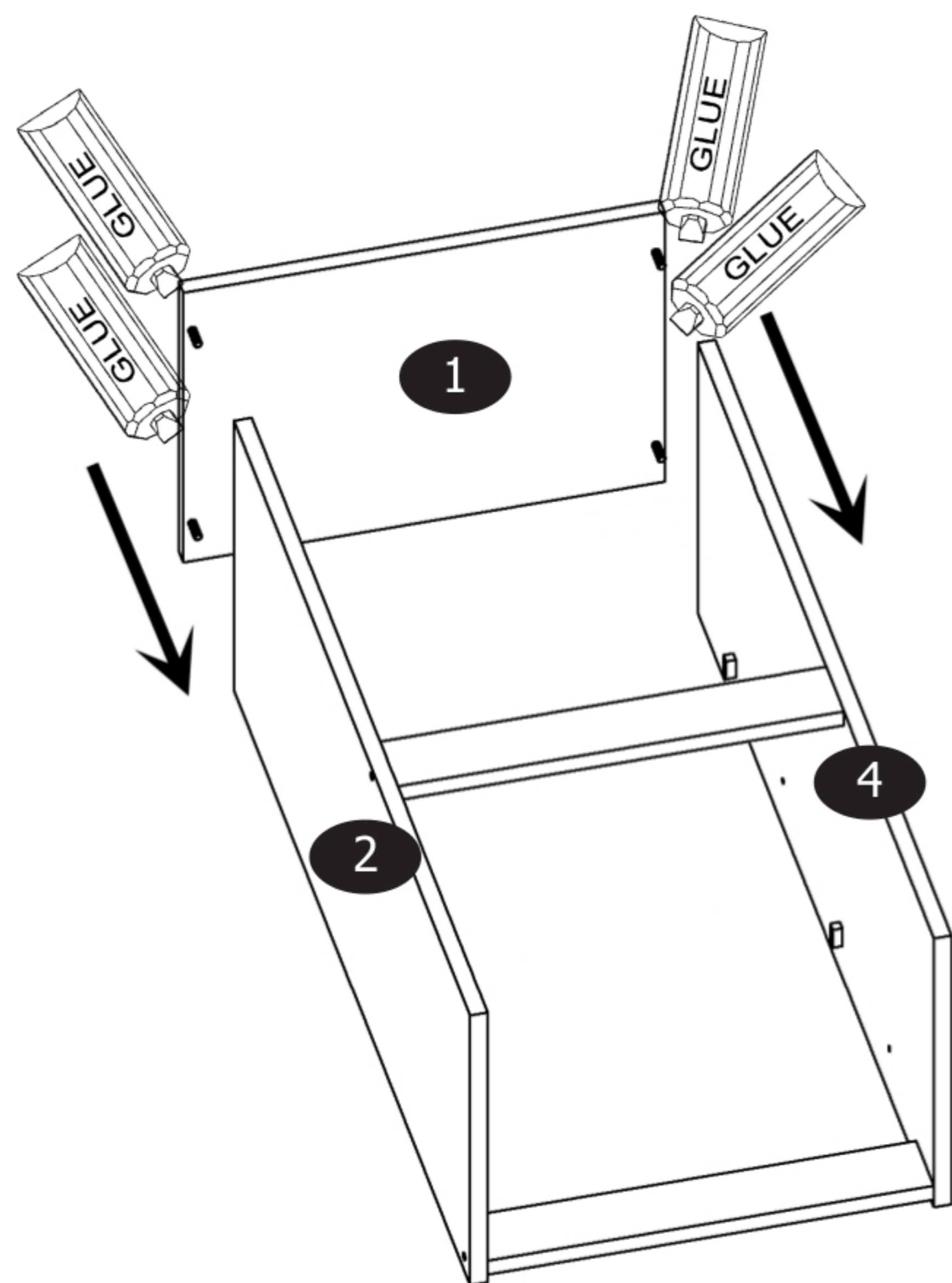
5



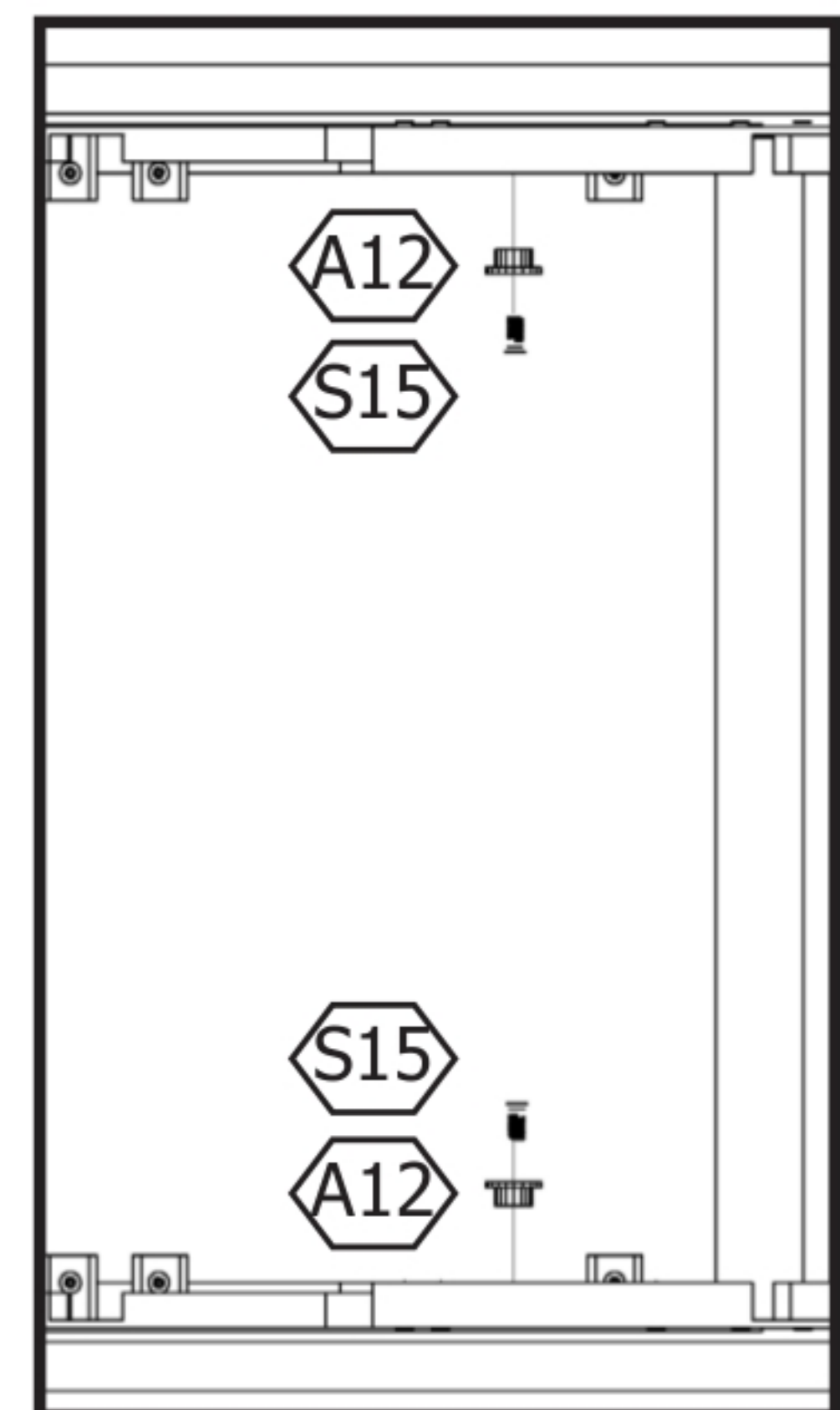
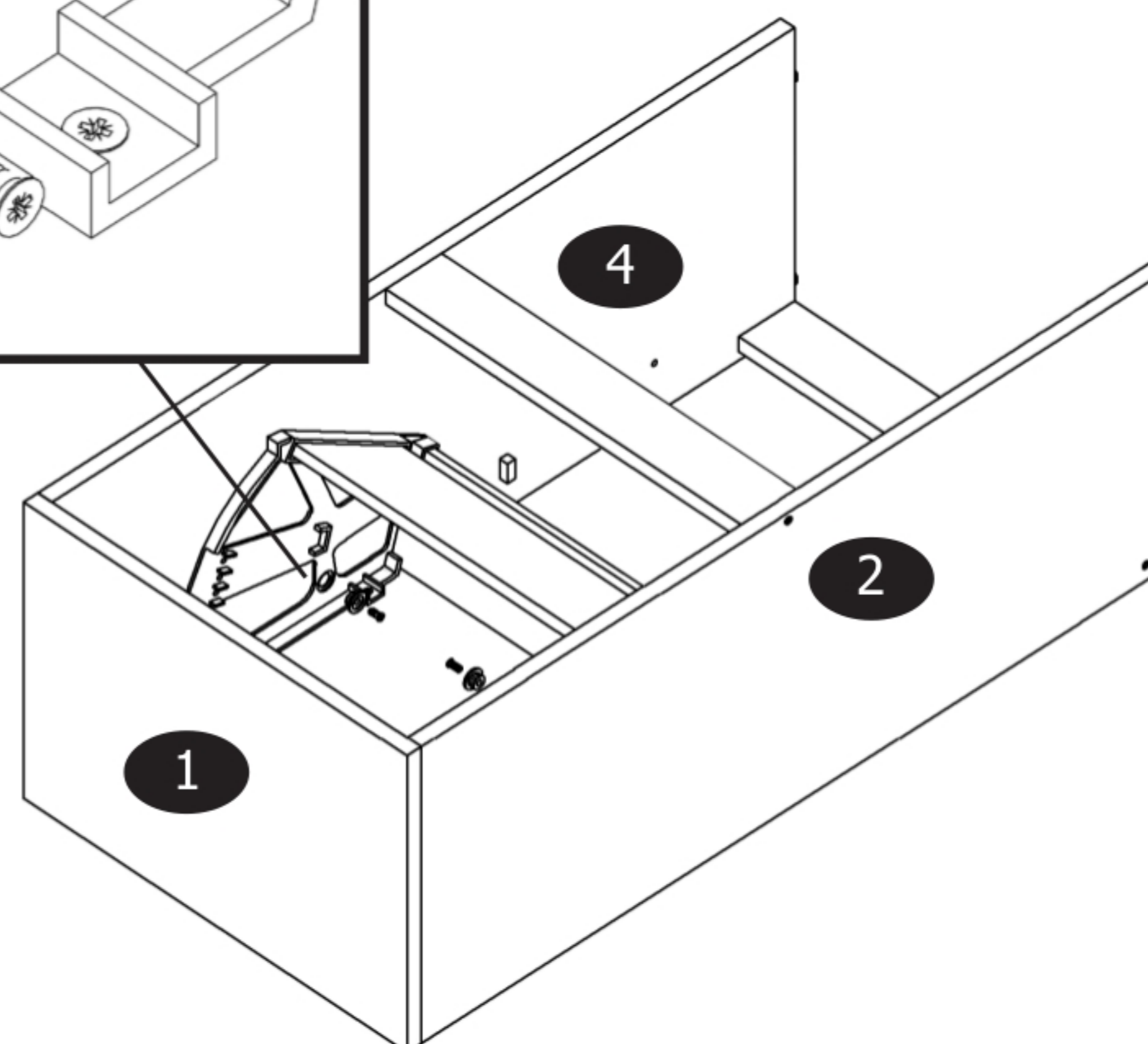
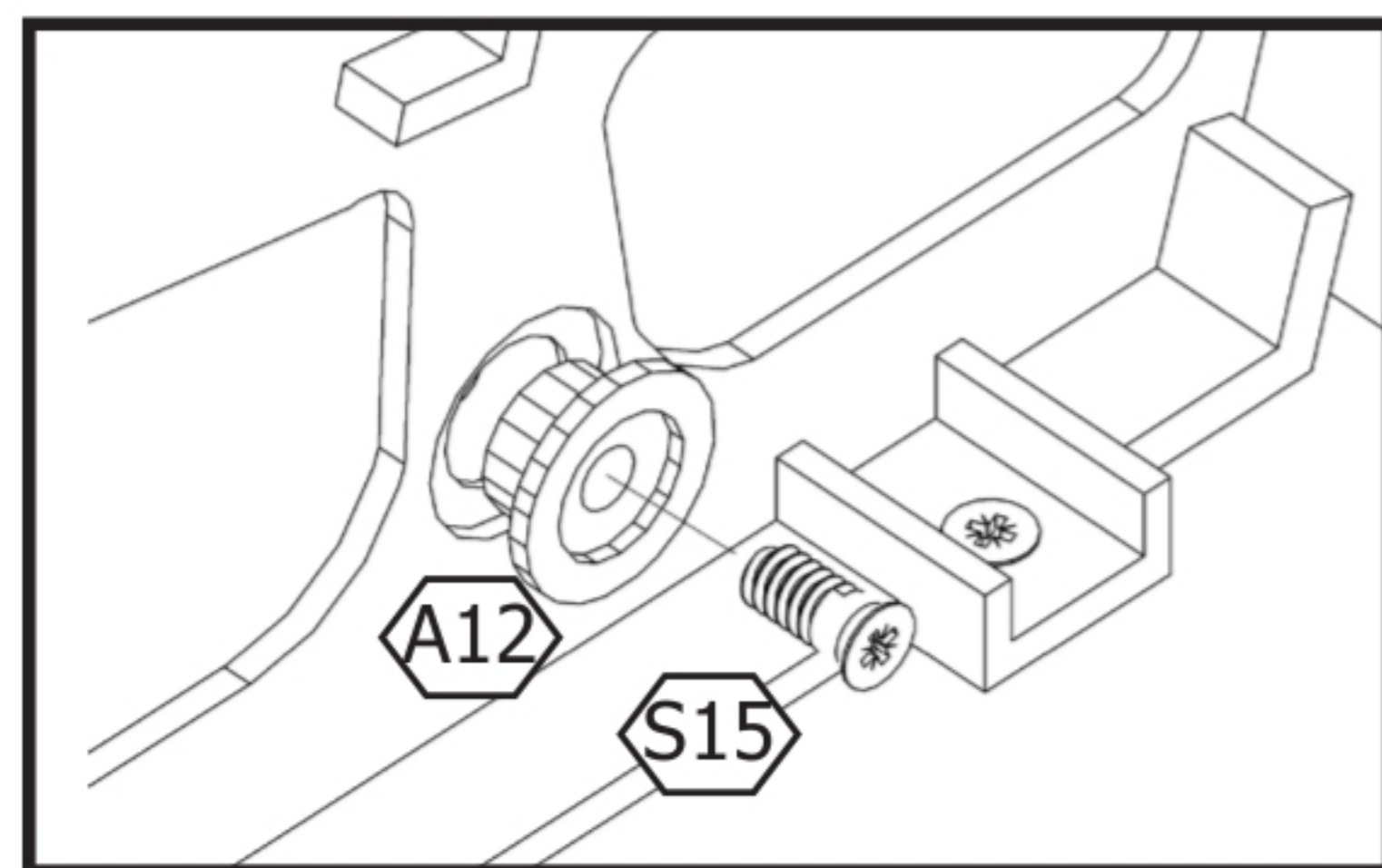
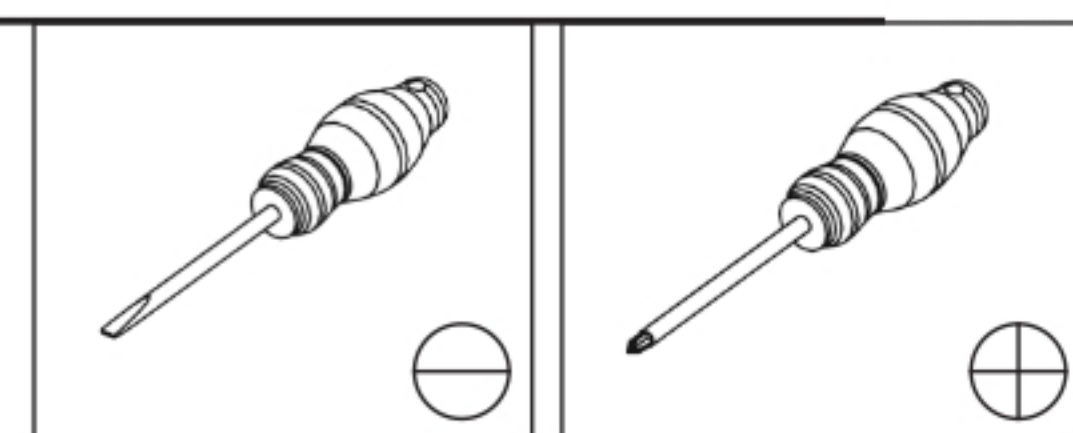
7



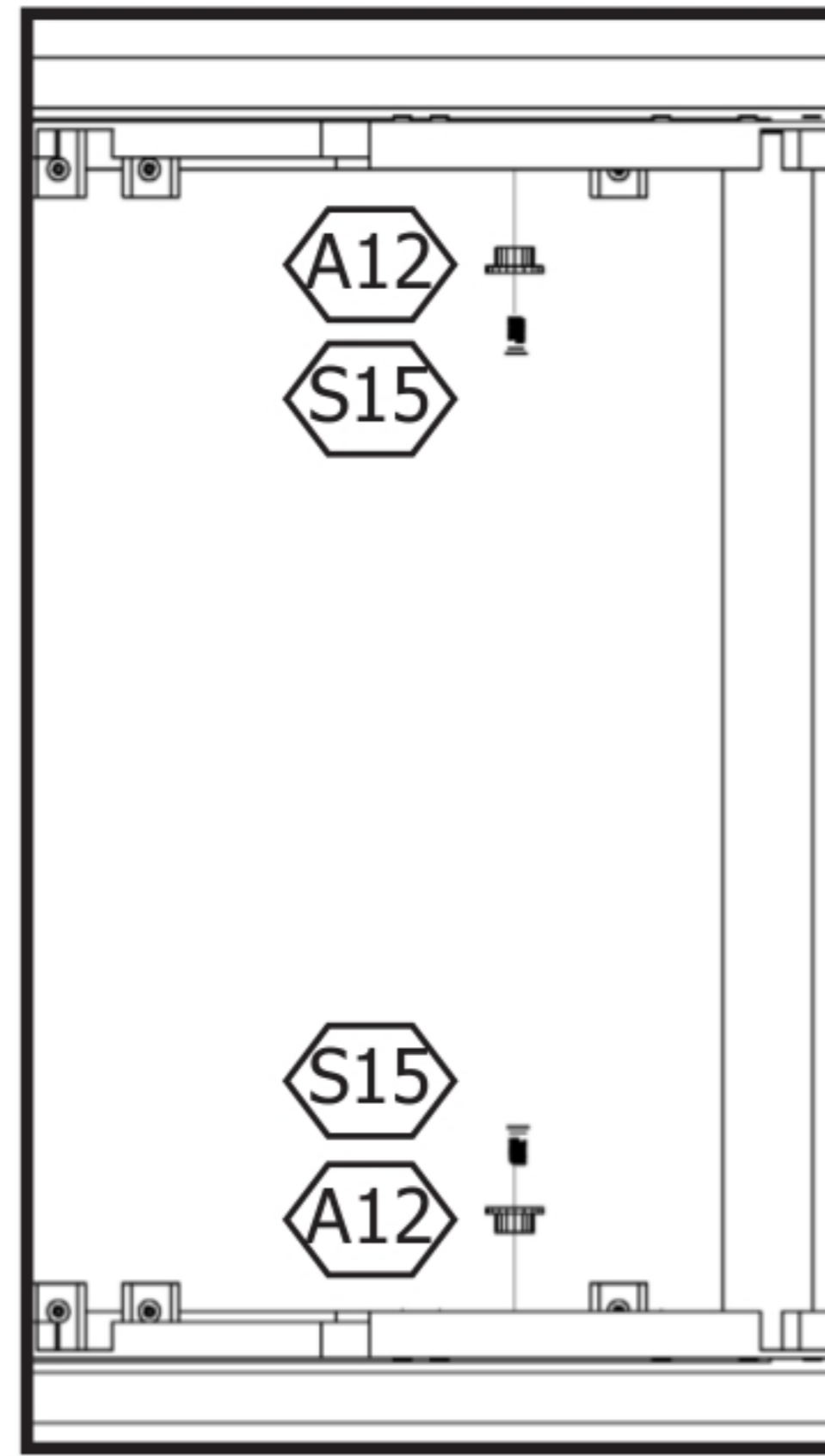
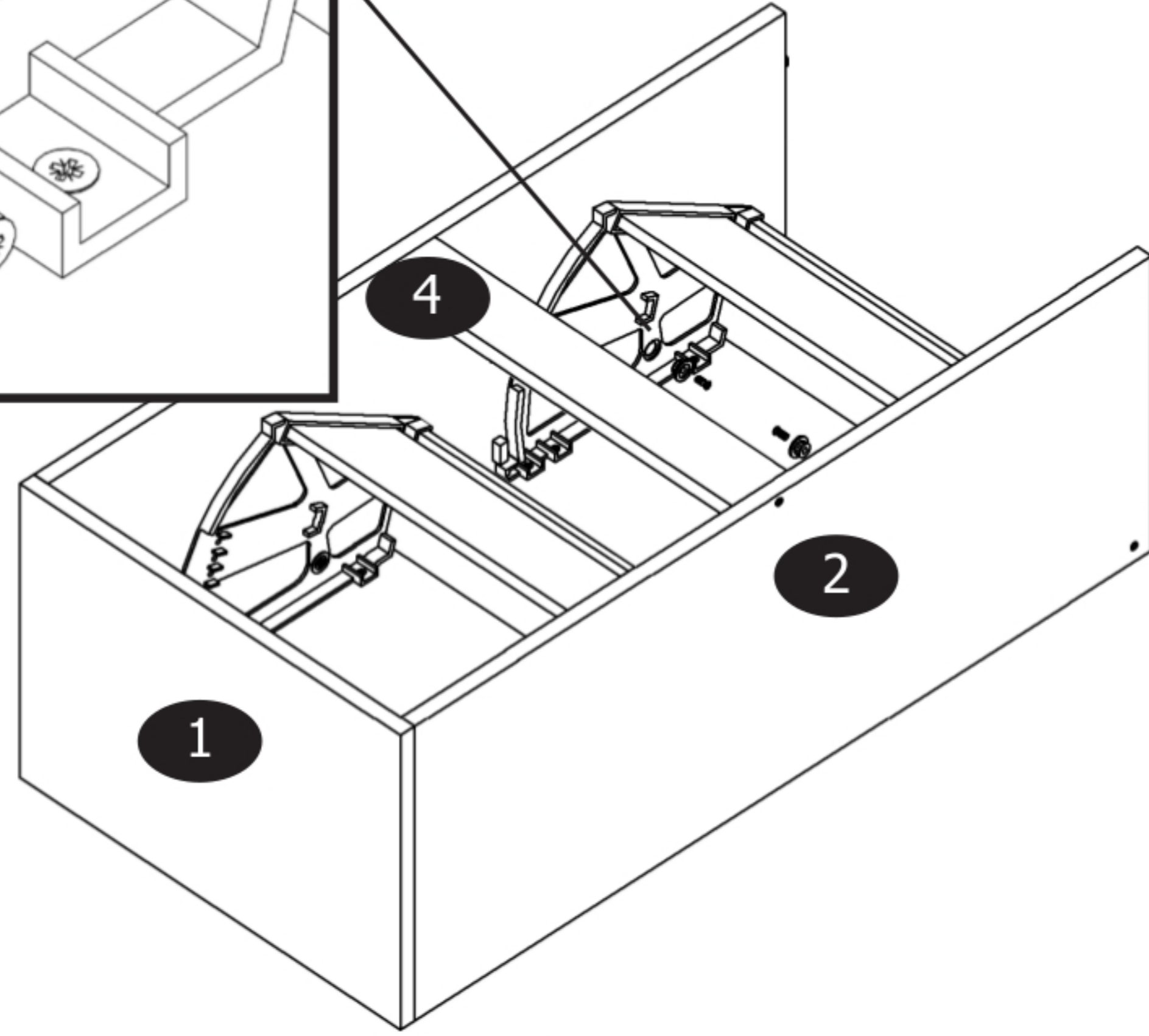
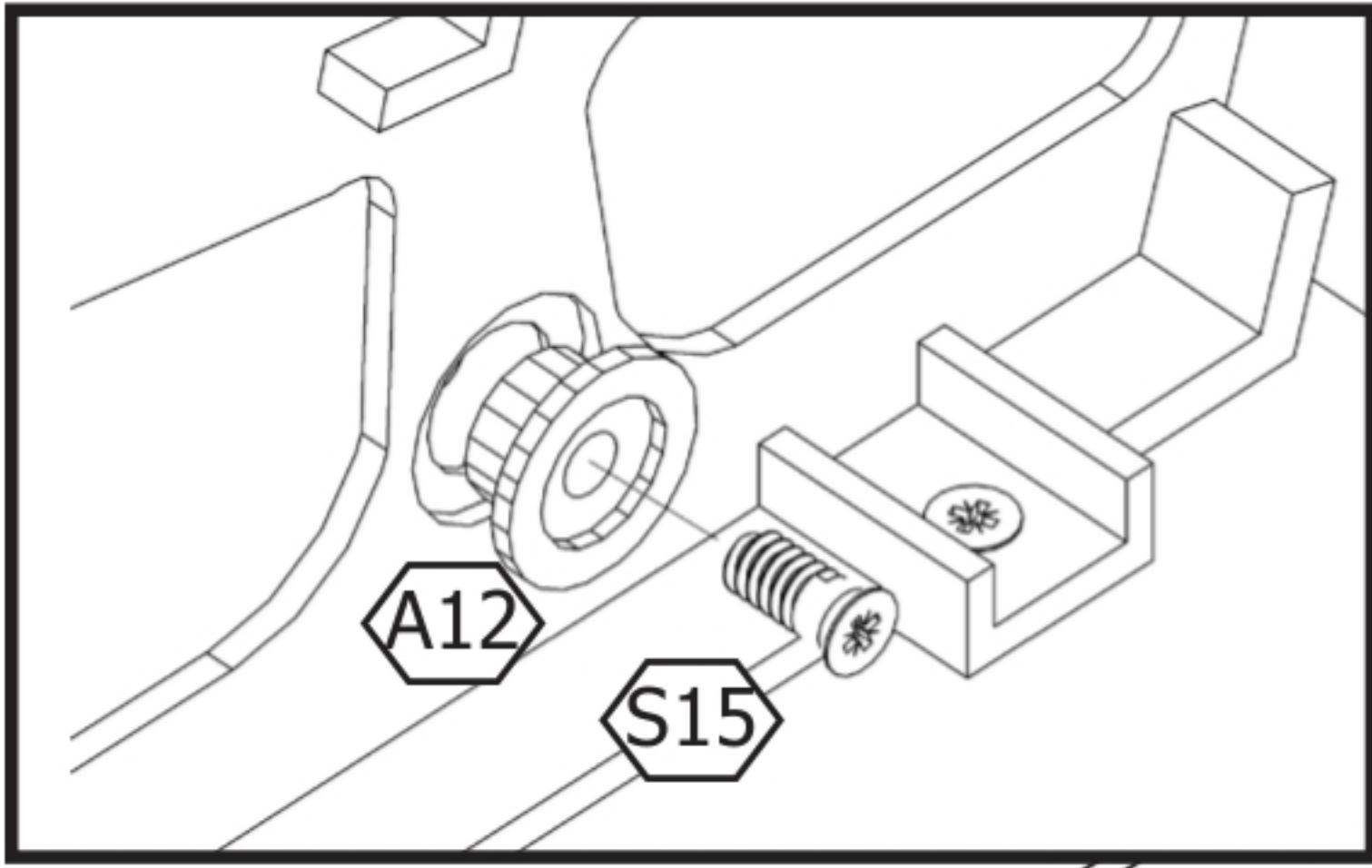
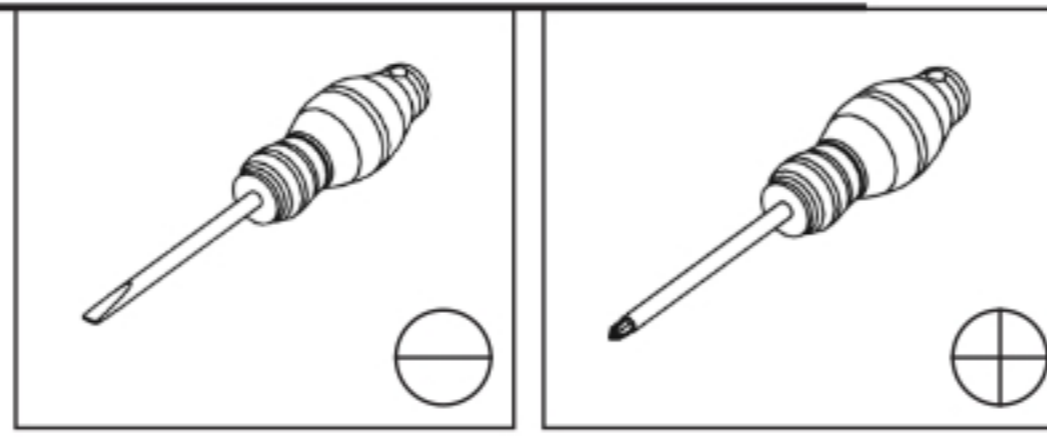
6



8



9



10

