



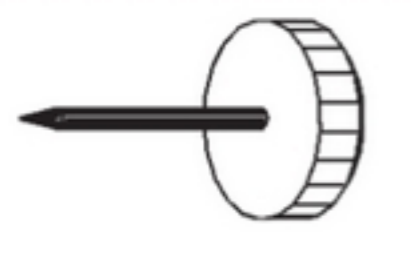
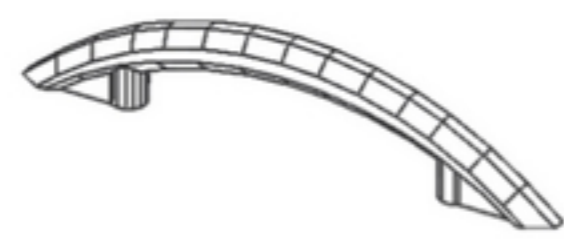
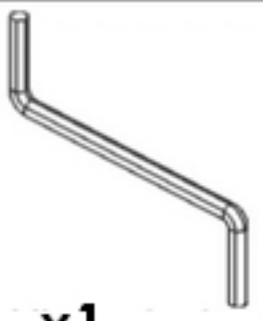
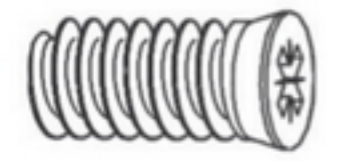




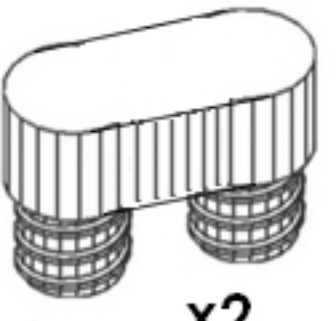

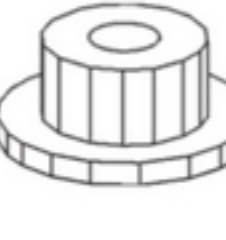
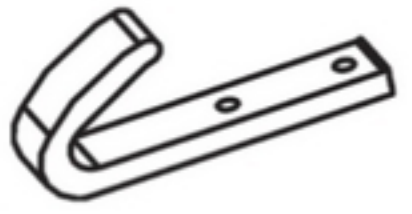

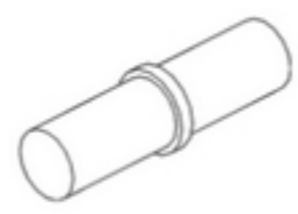
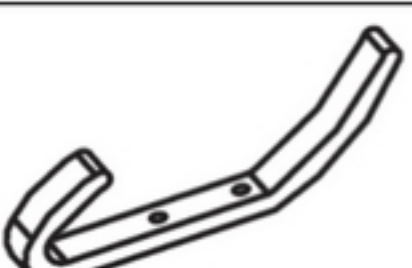
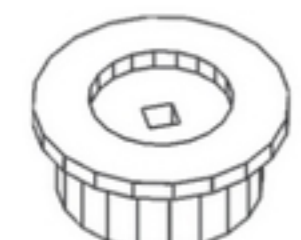
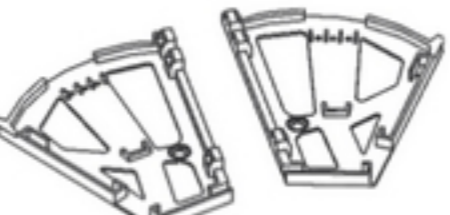
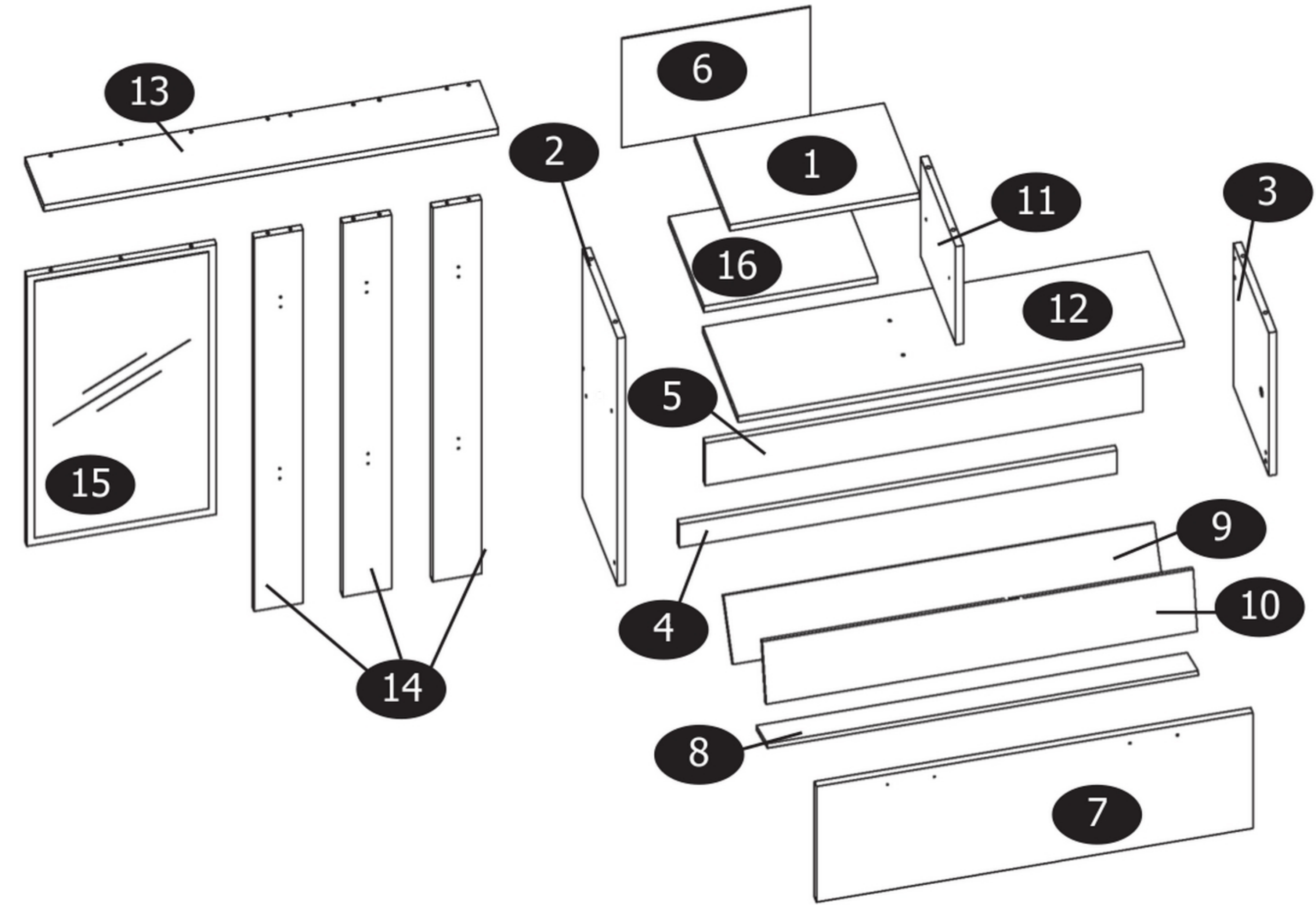
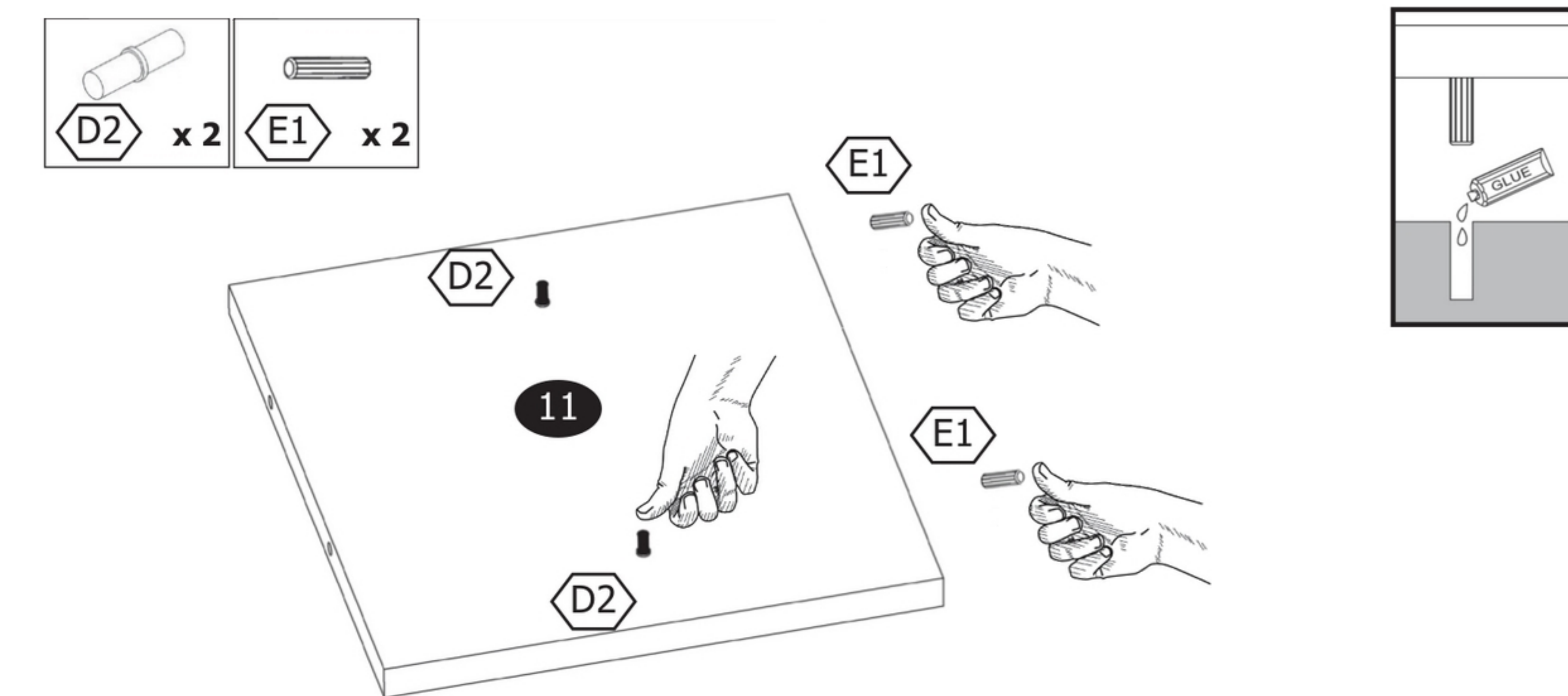
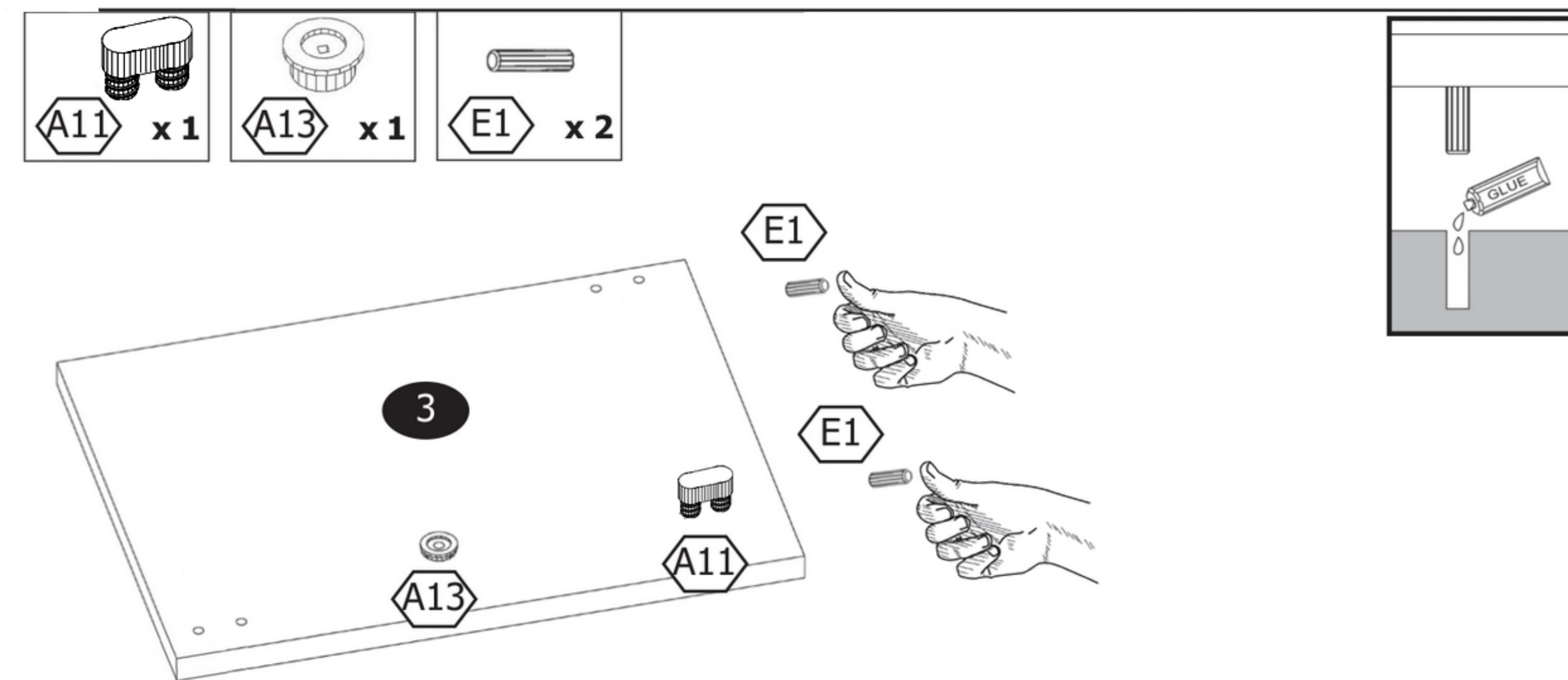
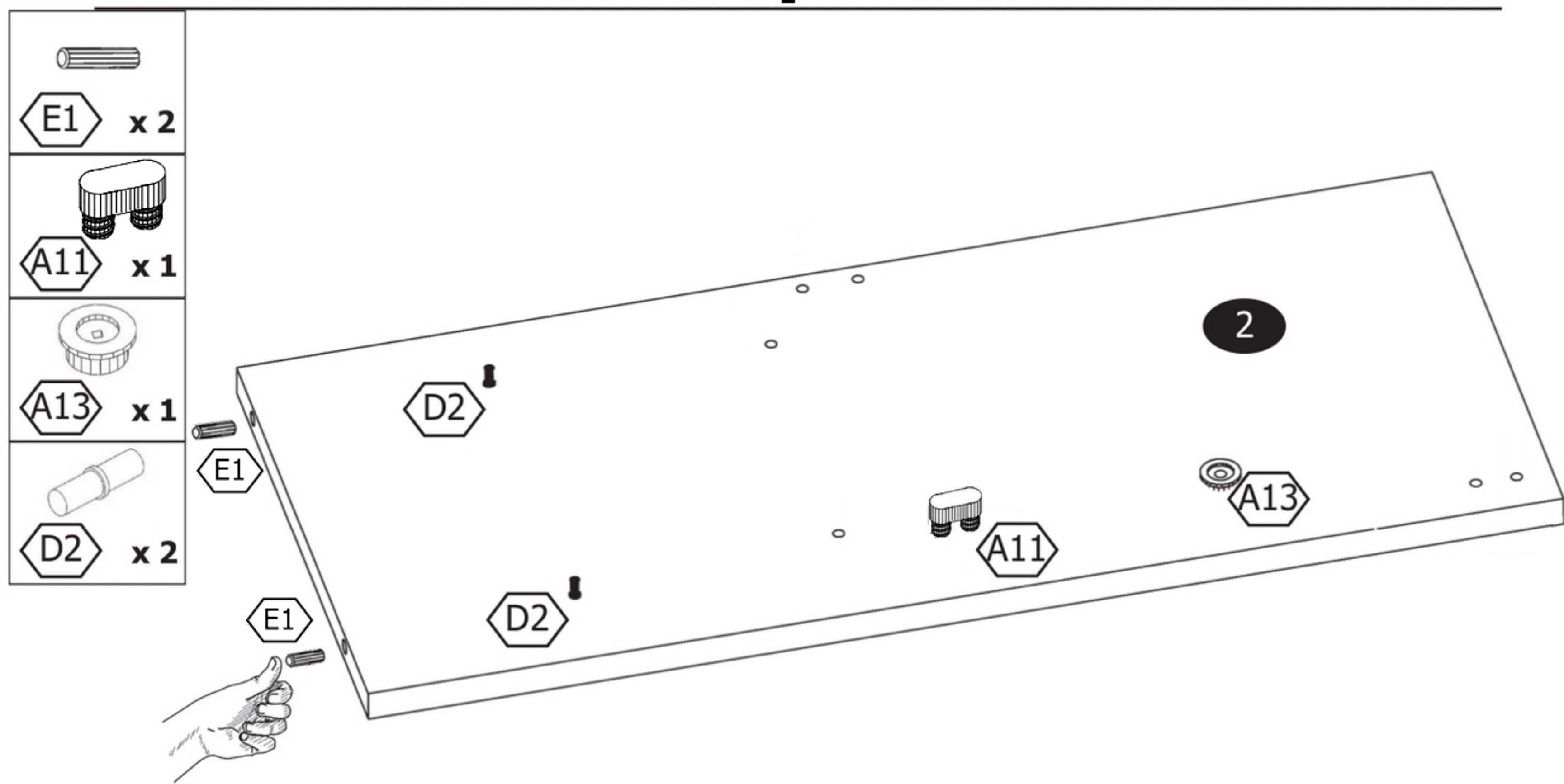


E1  Φ8x35mm x 10	P9  x4 Φ4x27mm	S1  x6 Φ3x13mm
 x1	T1  x4	U1  x2
K2  x1	S15  x6 Φ5,3x13mm	F20  x6
D12  x2	Z2  x10	S3  x12 Φ4x25mm
A11  x2	S16  x2 Φ6,3x13mm	A13  x2
L5  x3	F3  x 17	D2  x4
L6  x3	A12  x2	A10  x1

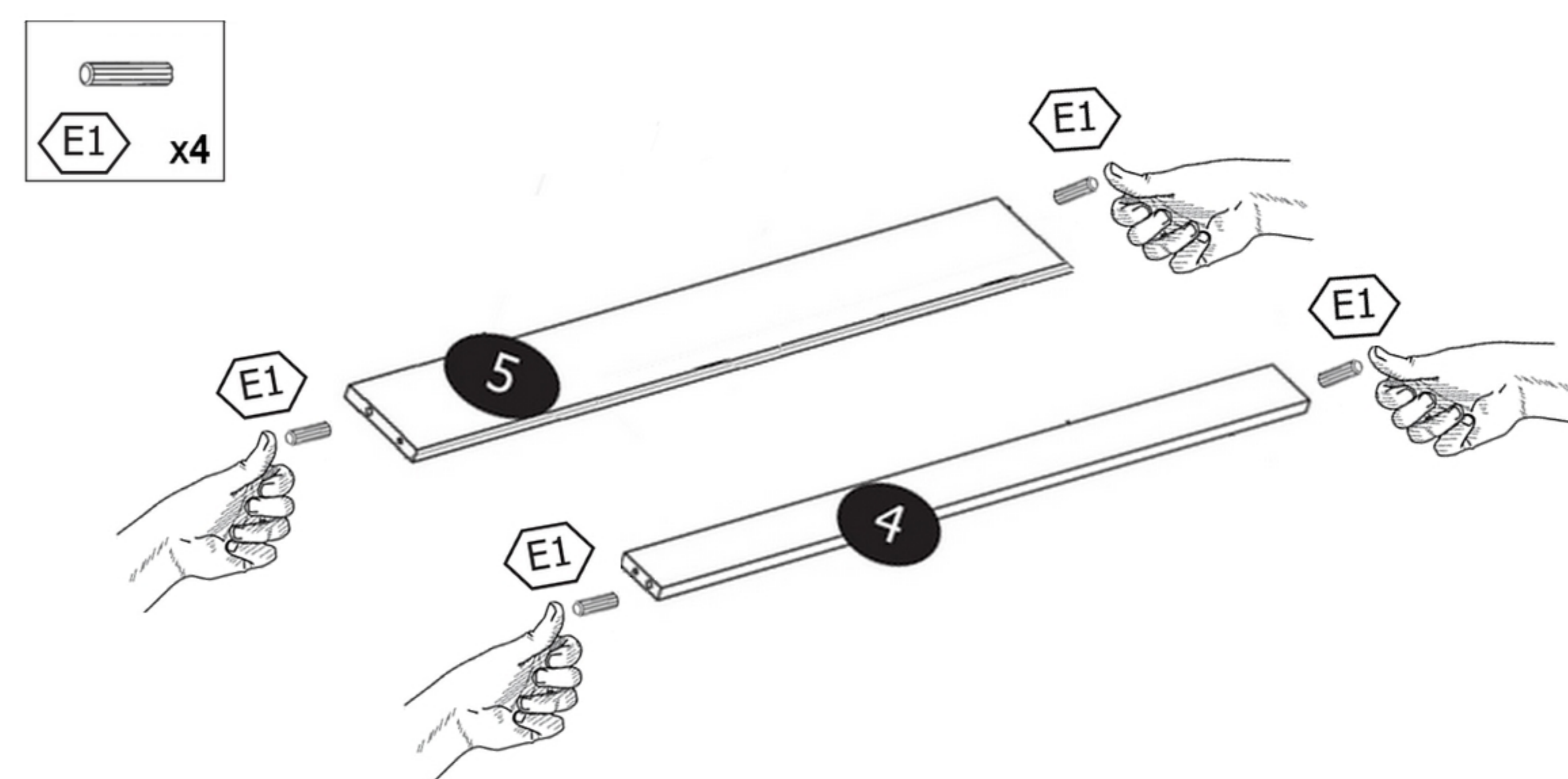
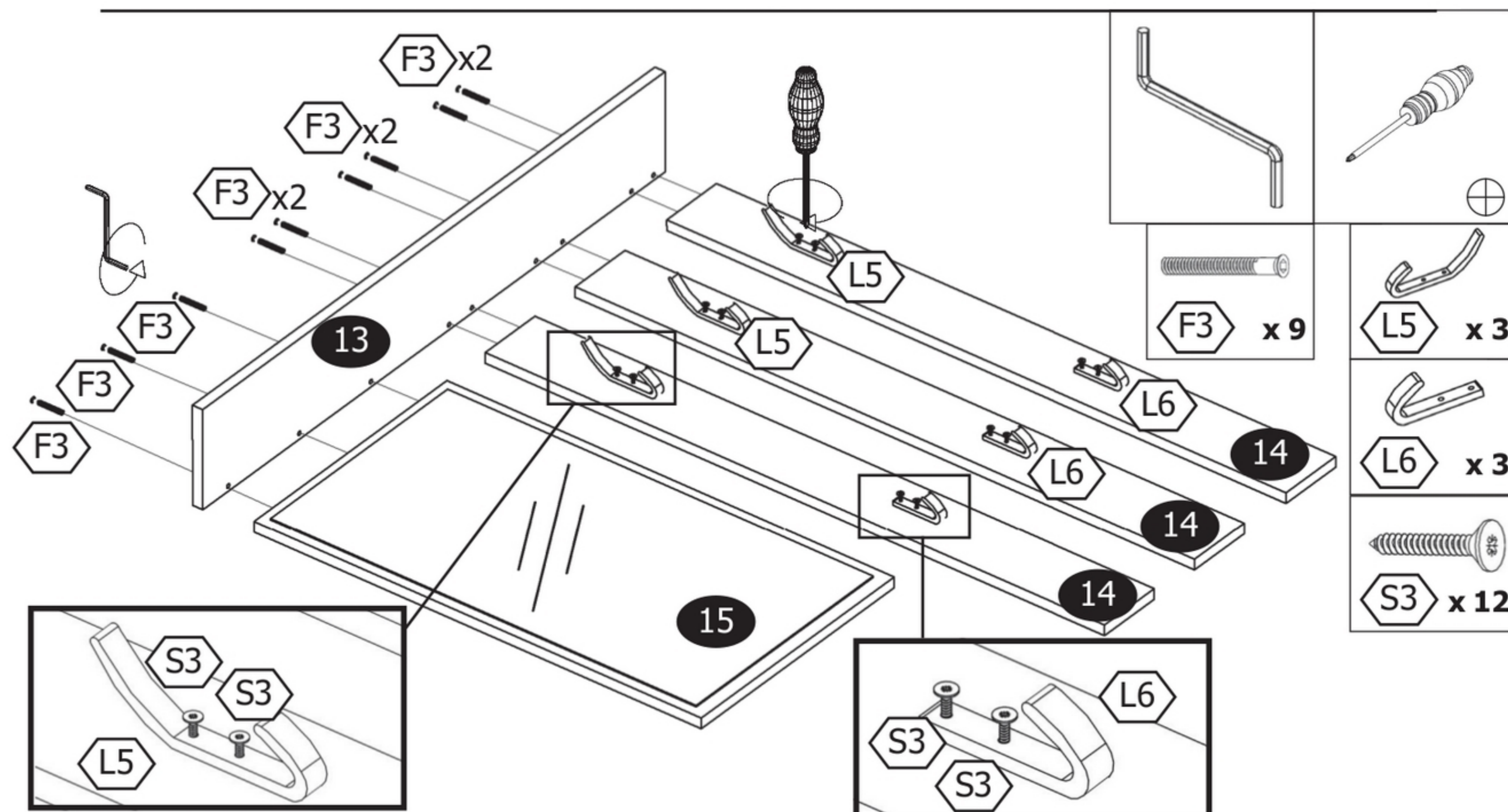
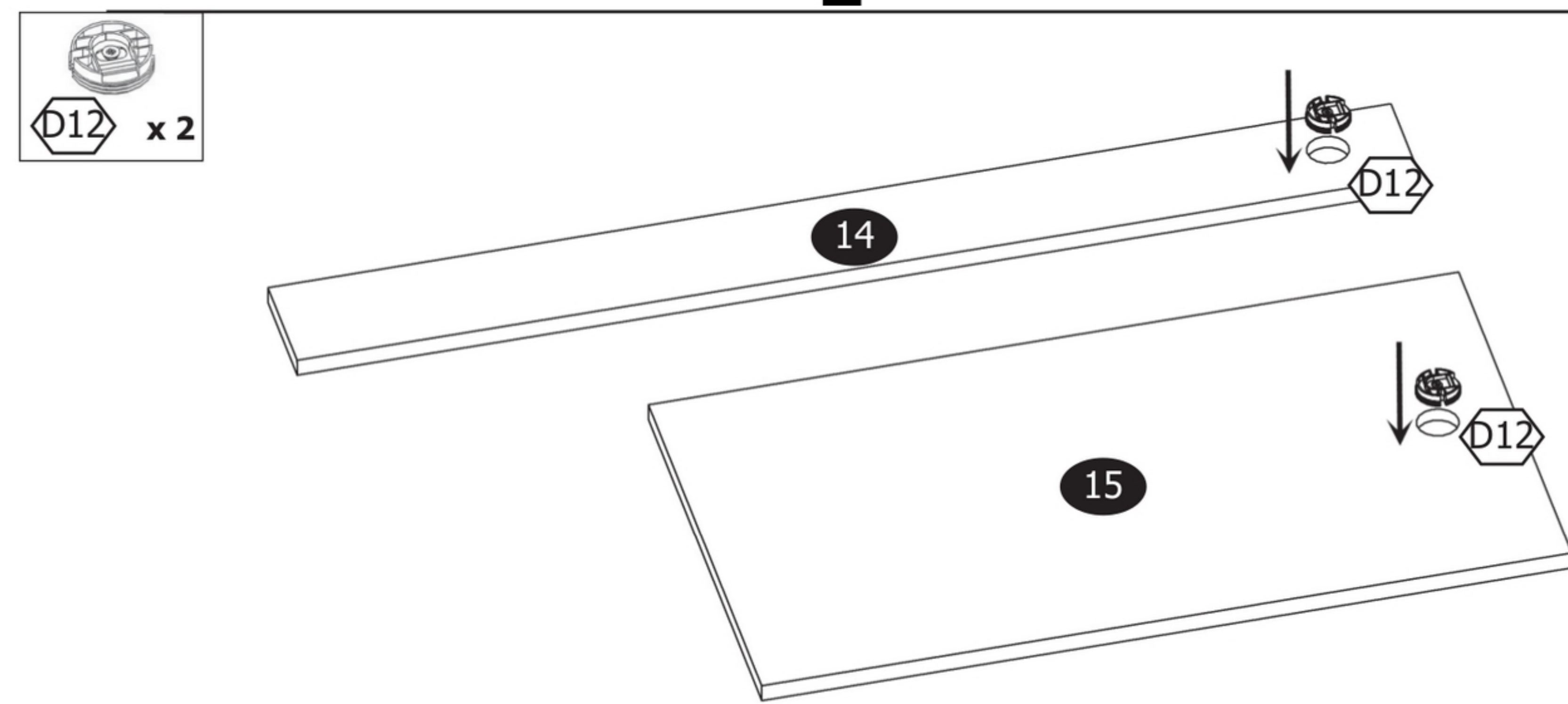


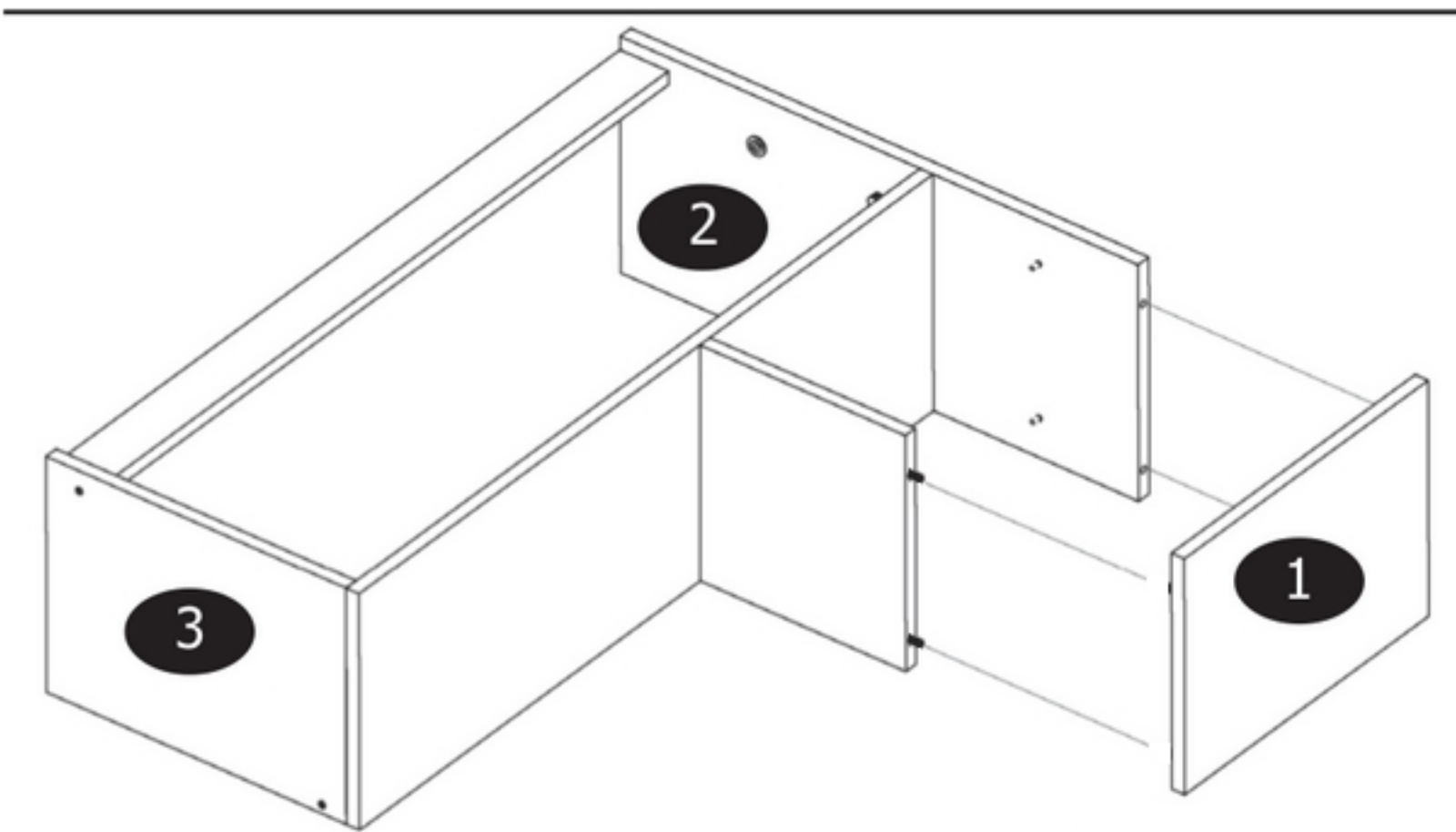
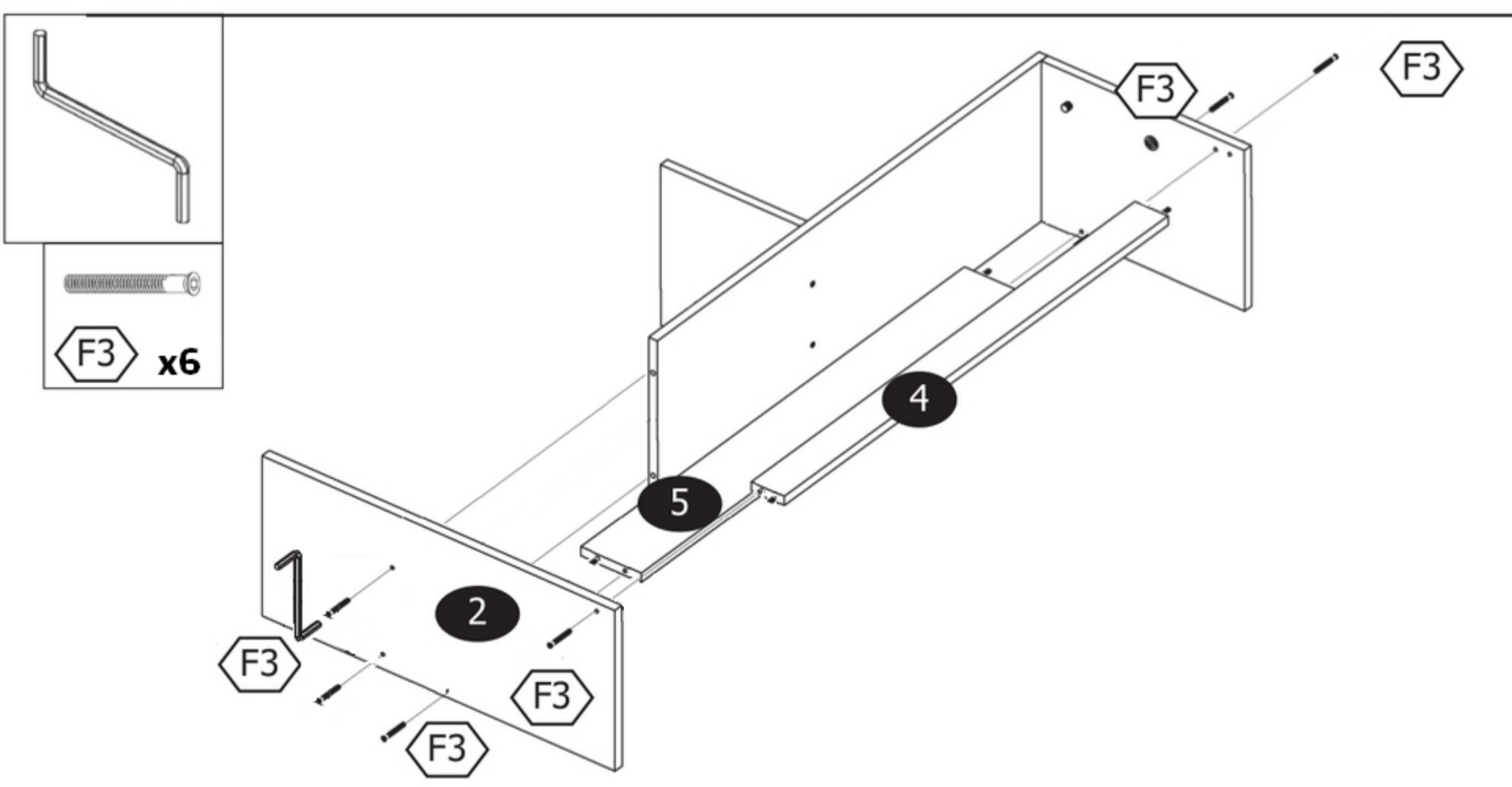
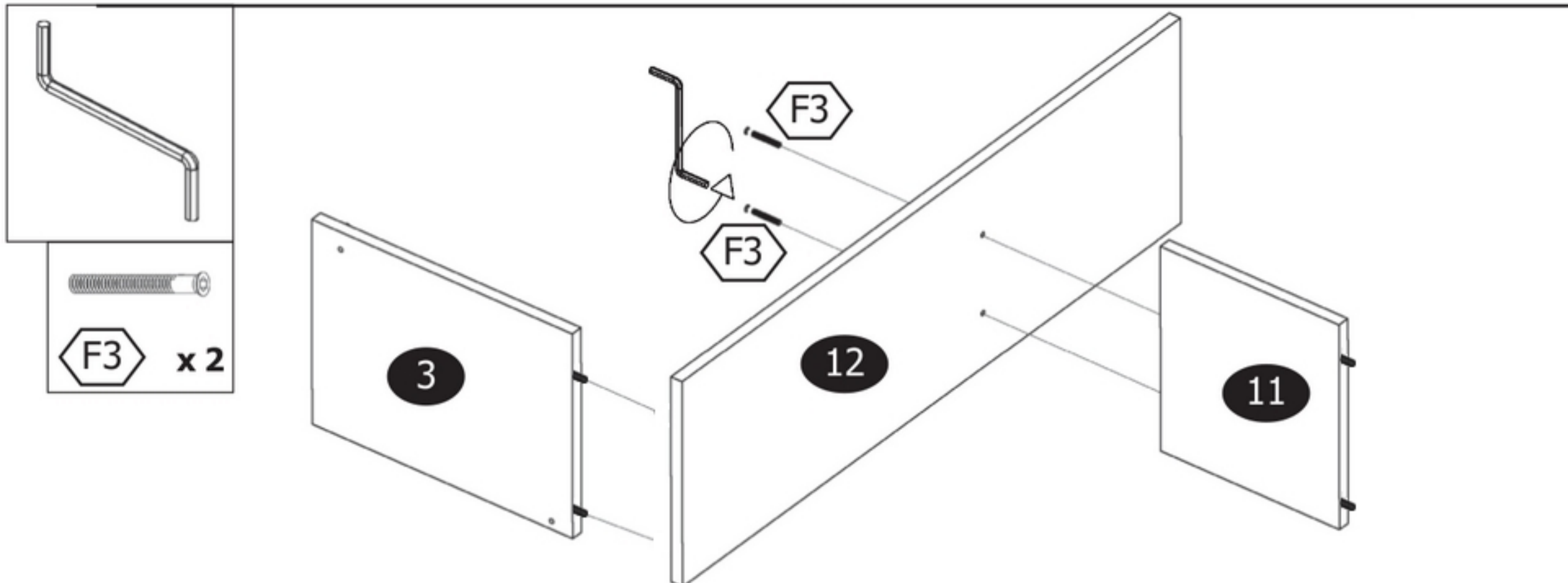
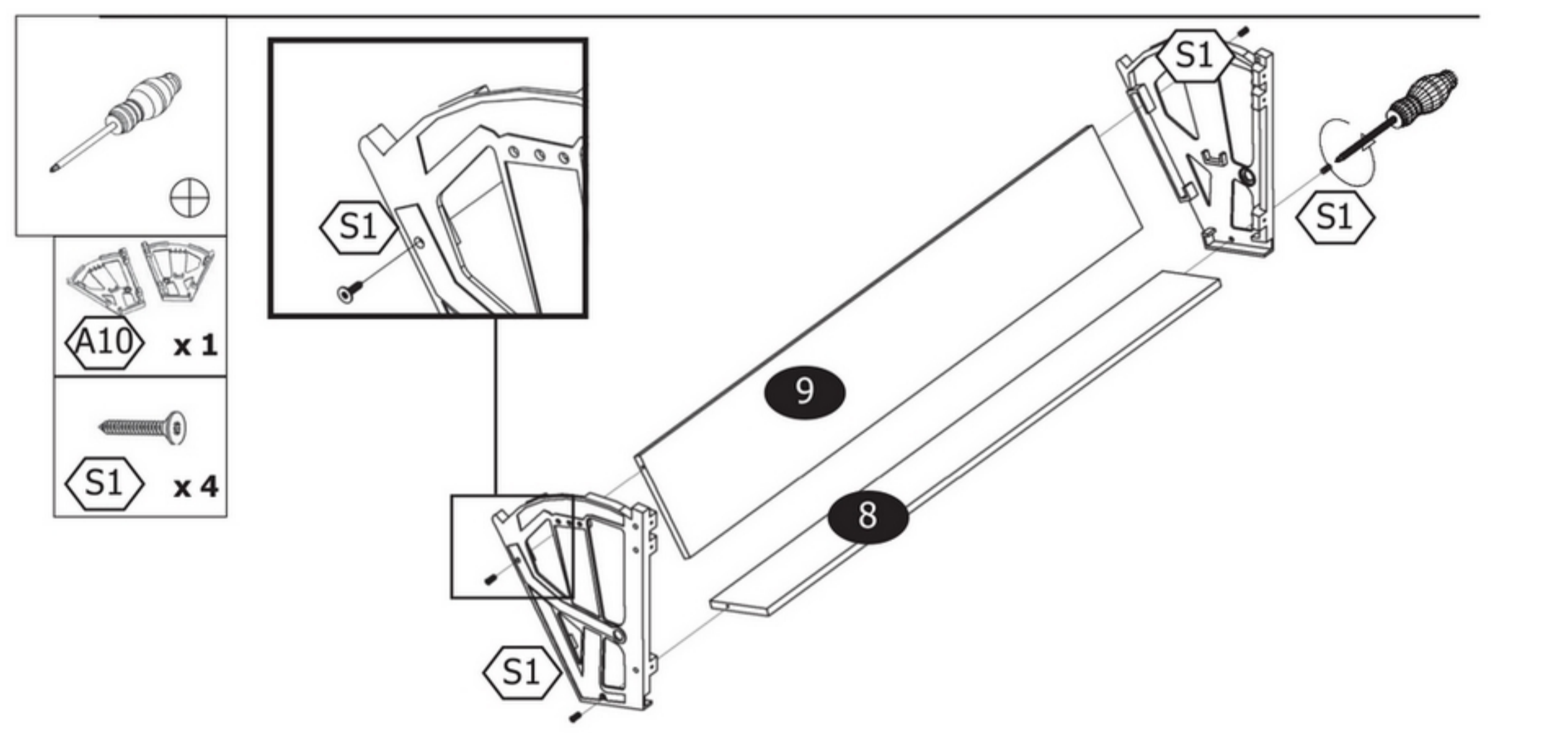
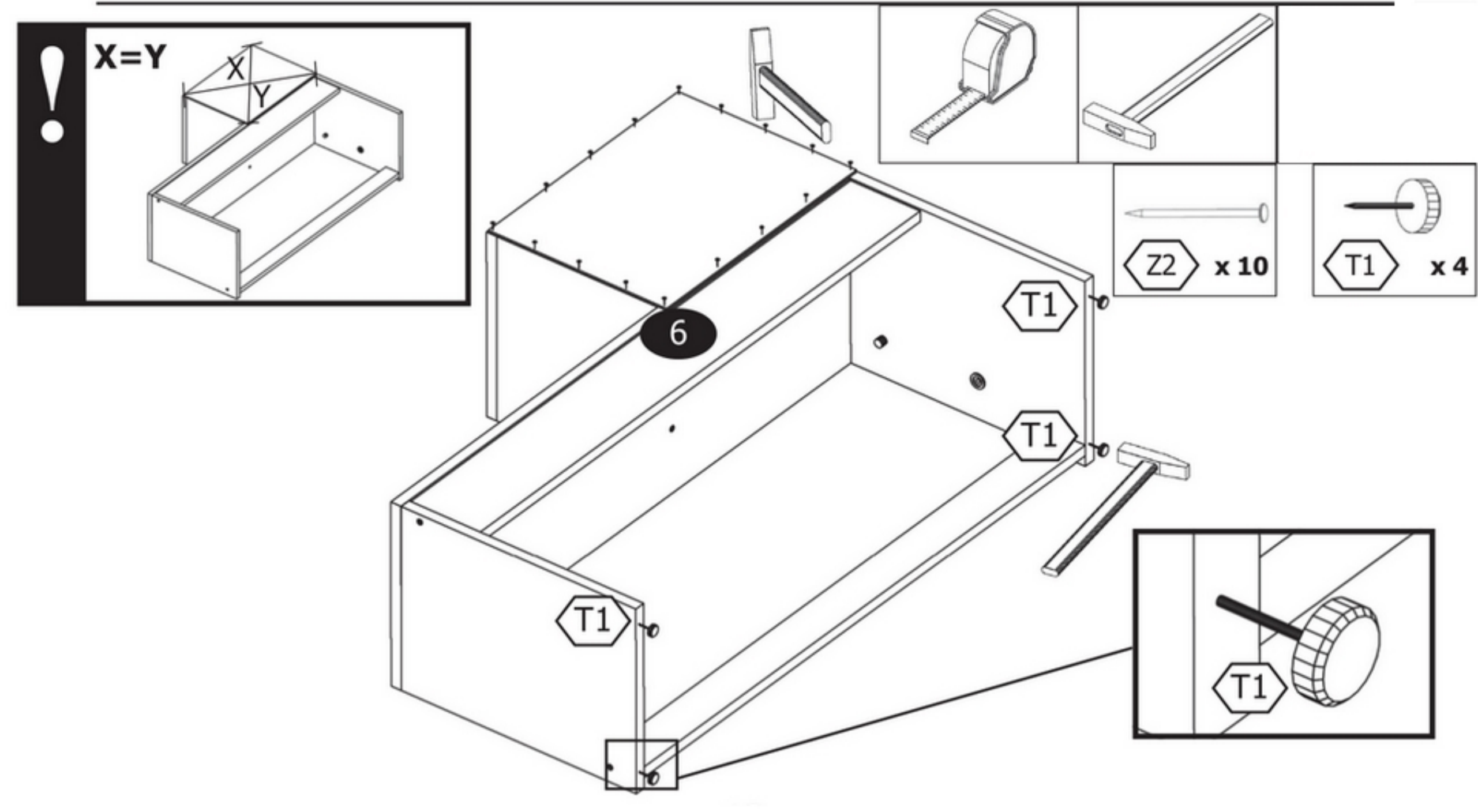
- | | |
|-------------|--------------|
| 1 x1 | 9 x1 |
| 2 x1 | 10 x1 |
| 3 x1 | 11 x1 |
| 4 x1 | 12 x1 |
| 5 x1 | 13 x1 |
| 6 x1 | 14 x3 |
| 7 x1 | 15 x1 |
| 8 x1 | 16 x1 |

1

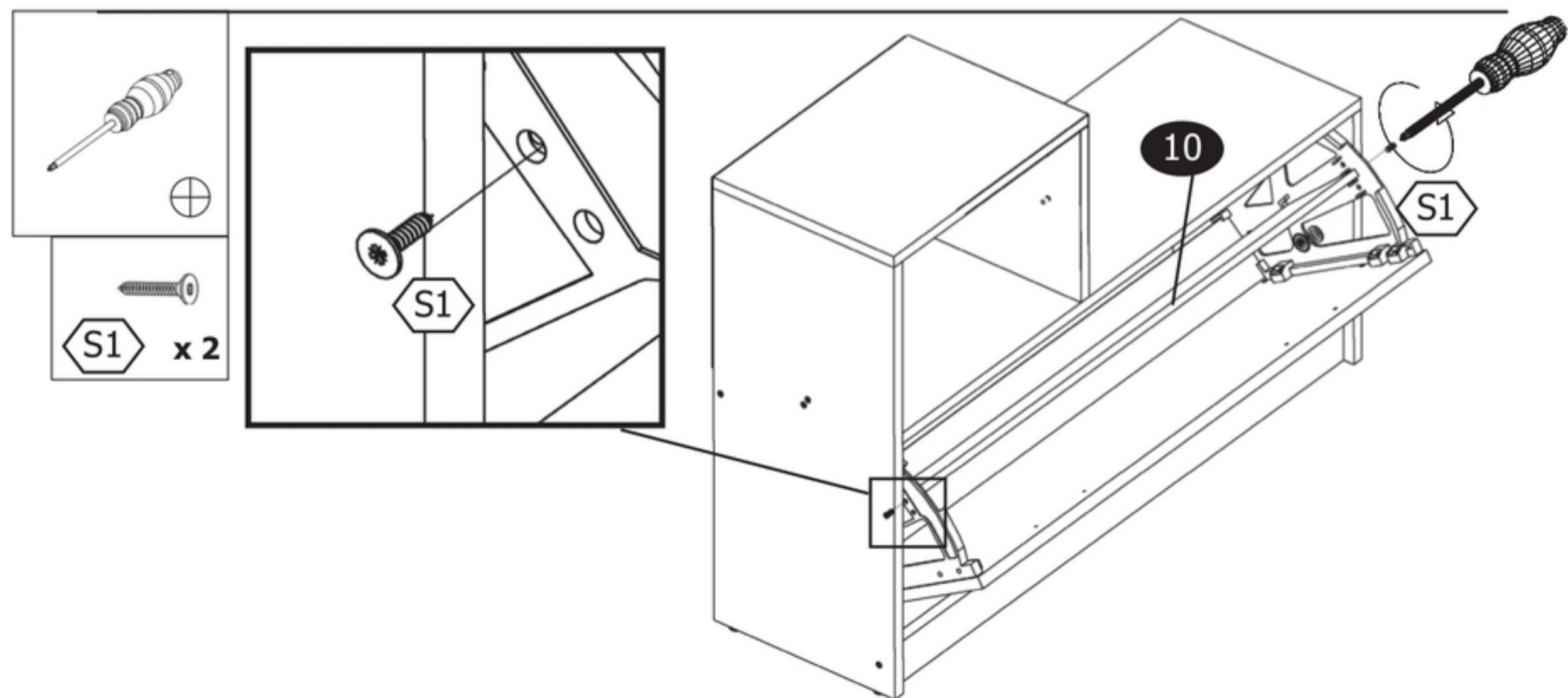
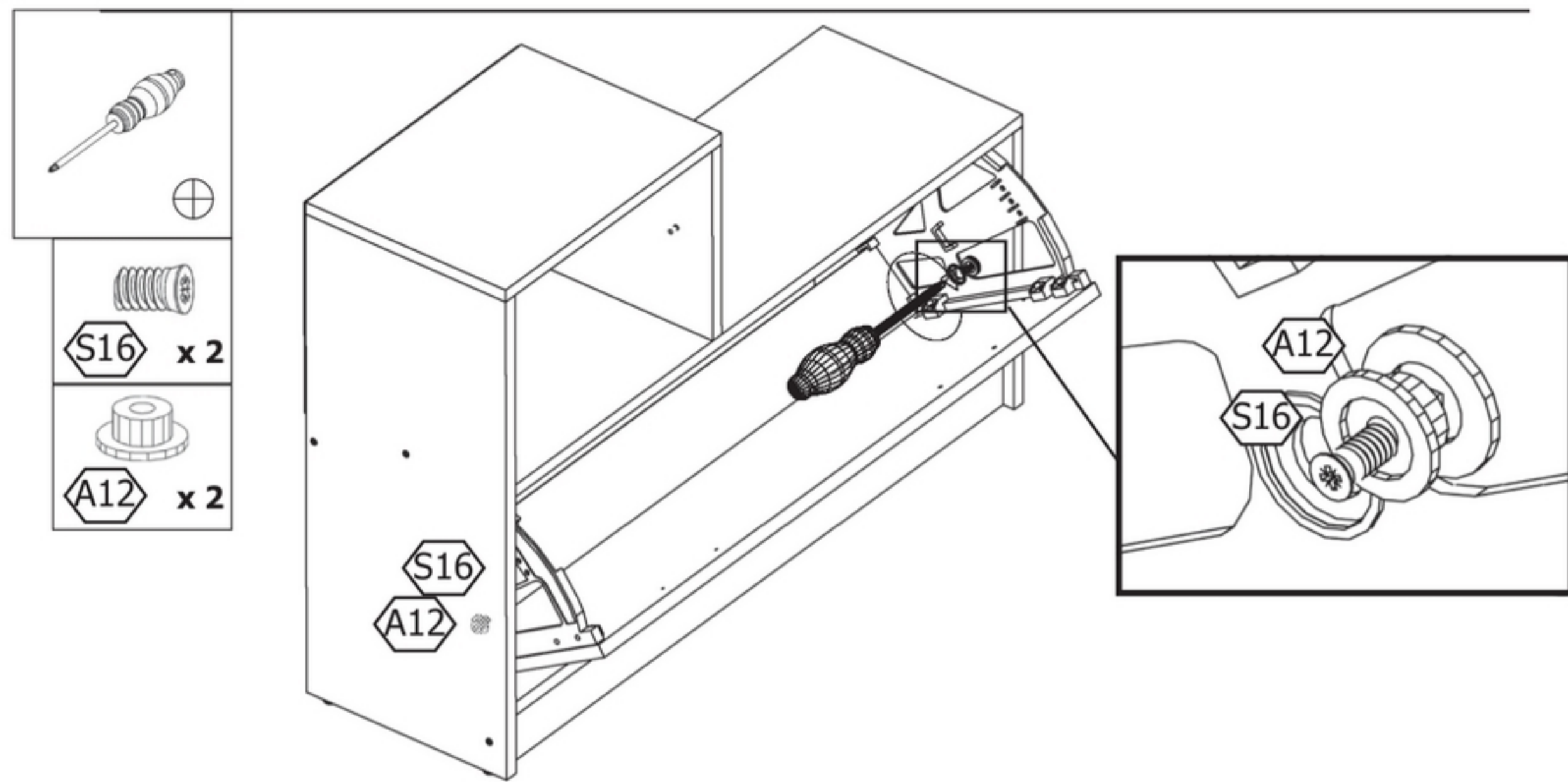
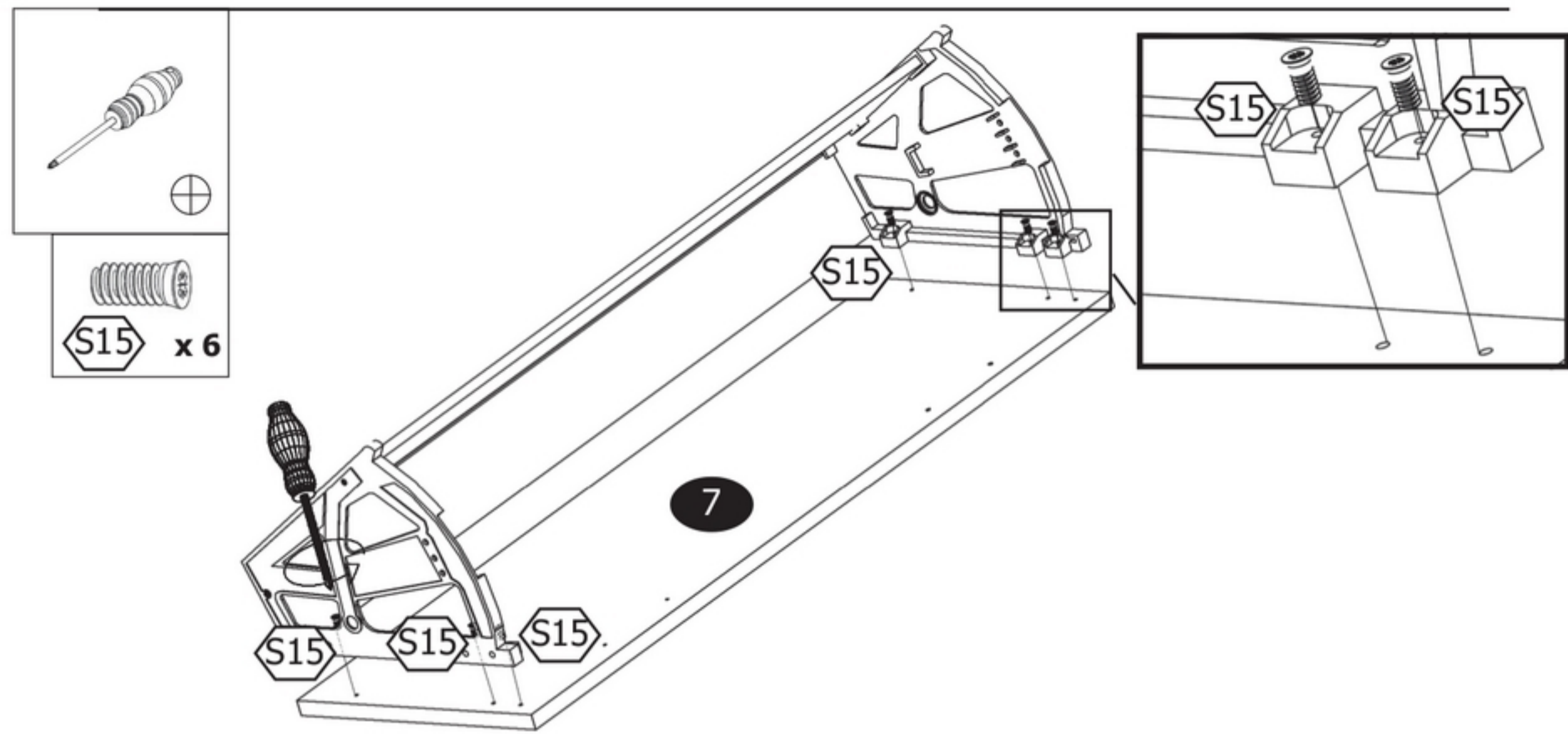


2



3**4**

5



6

