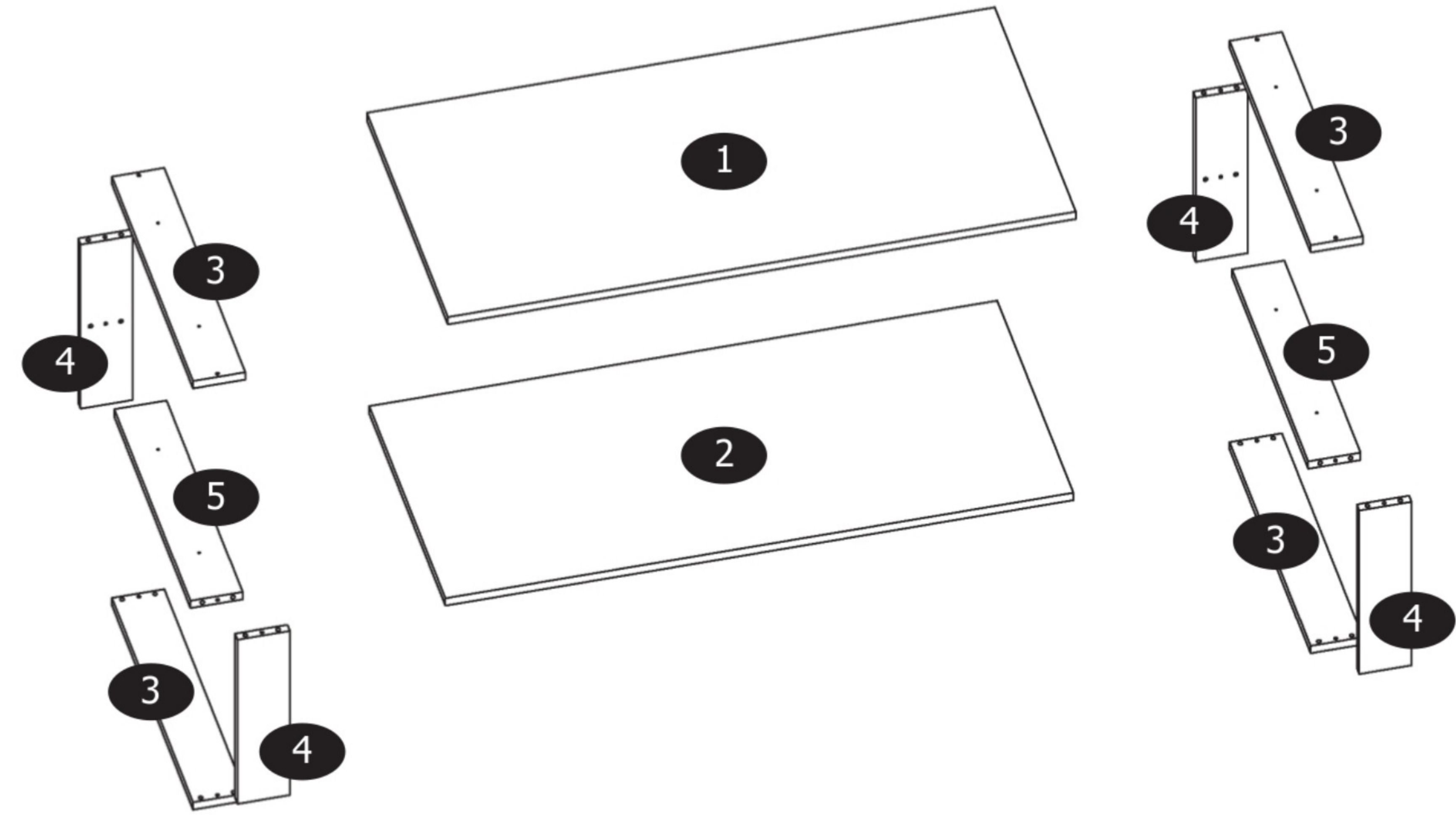
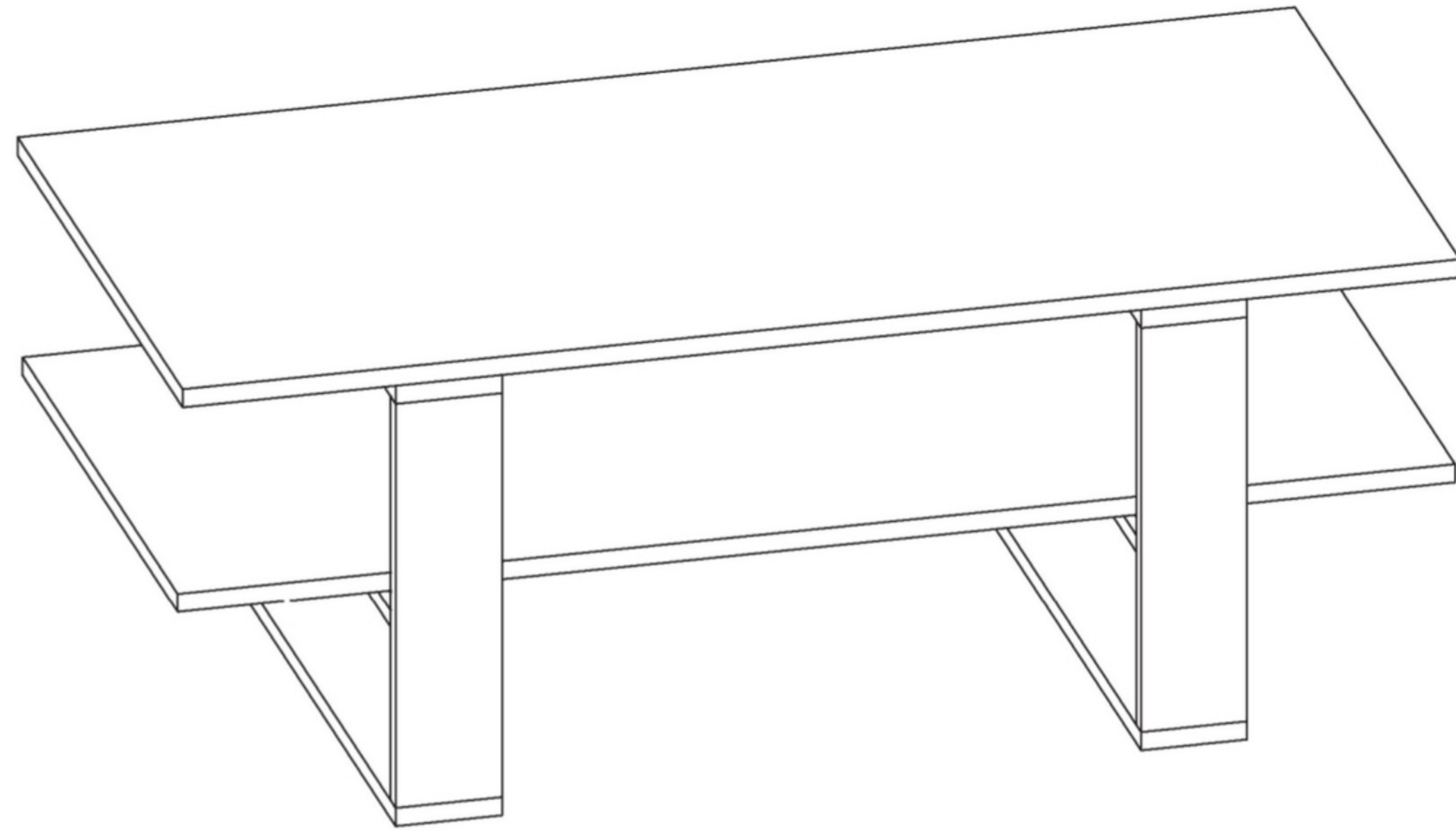
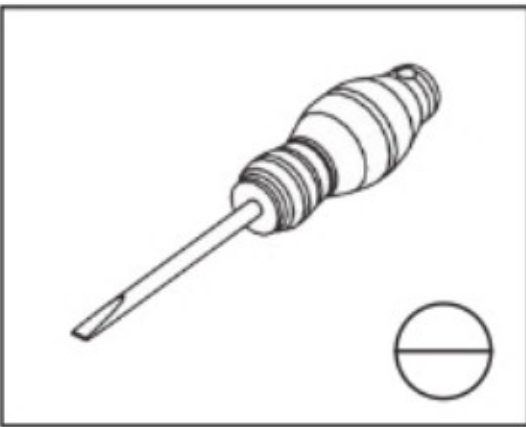
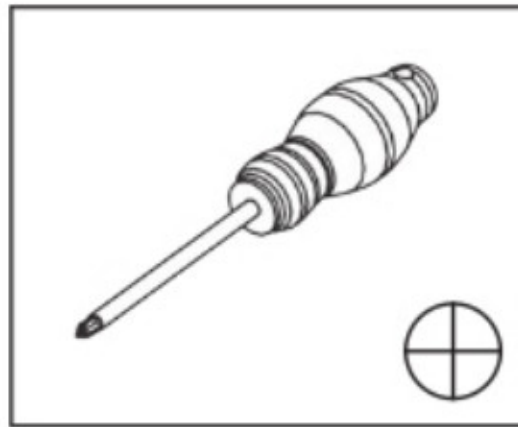

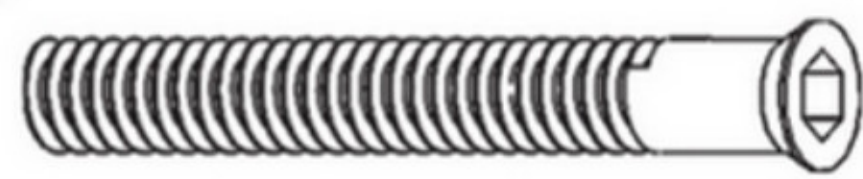
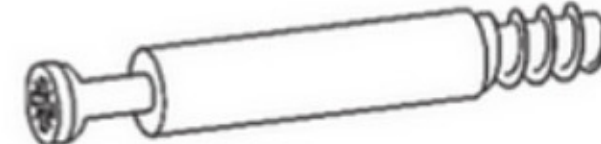



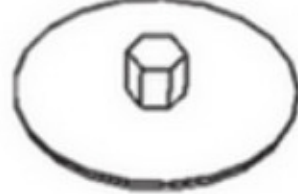


SM

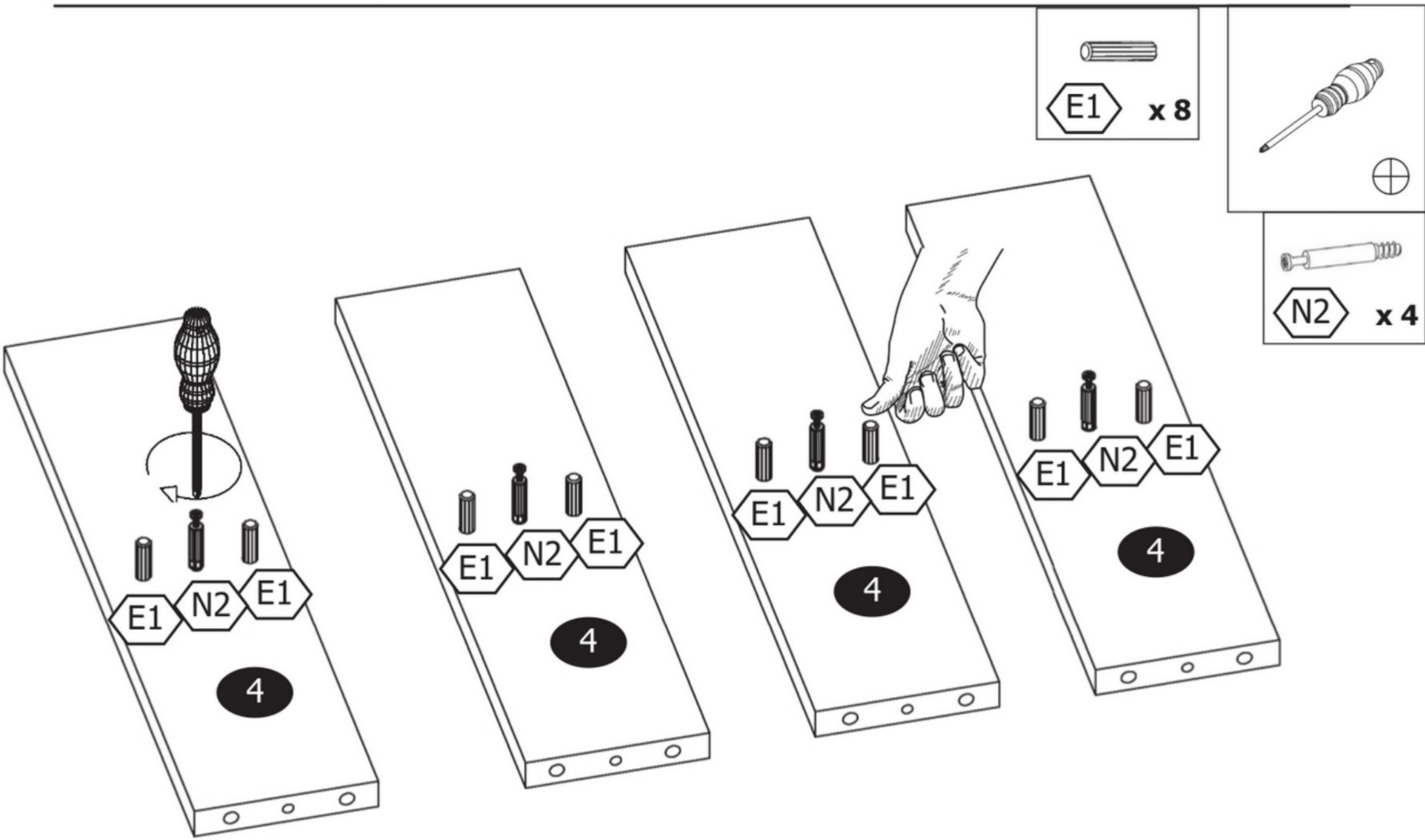
29.08.2018



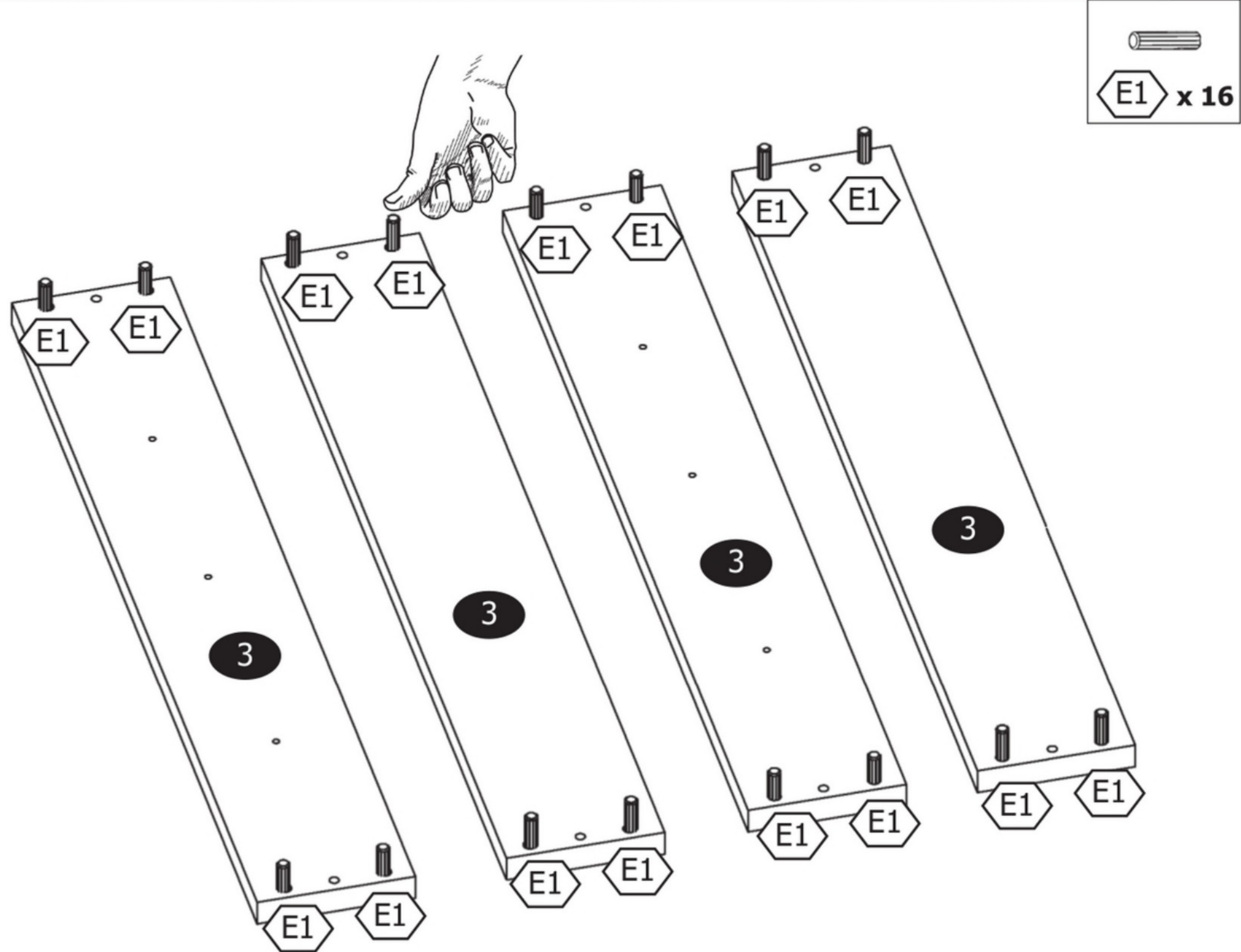
					
E1	 Φ8x36mm x24	F3	 x8 Φ7x50mm	N2	 x4
K1	 x1	M3	 x4	S1	 x12 Φ4x30 mm
M2	 x4				

- 1 x1**
- 2 x1**
- 3 x4**
- 4 x4**
- 5 x2**

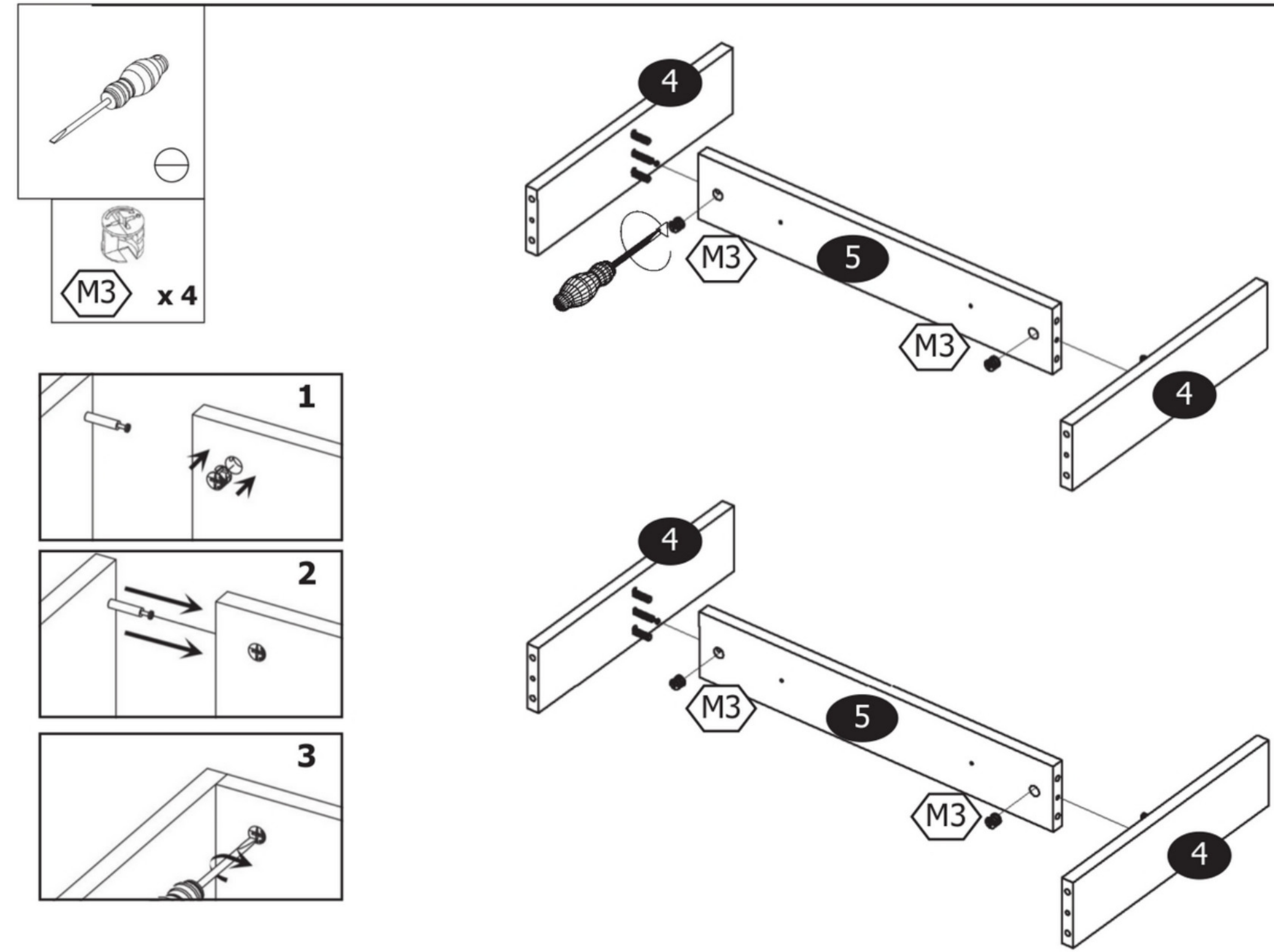
1



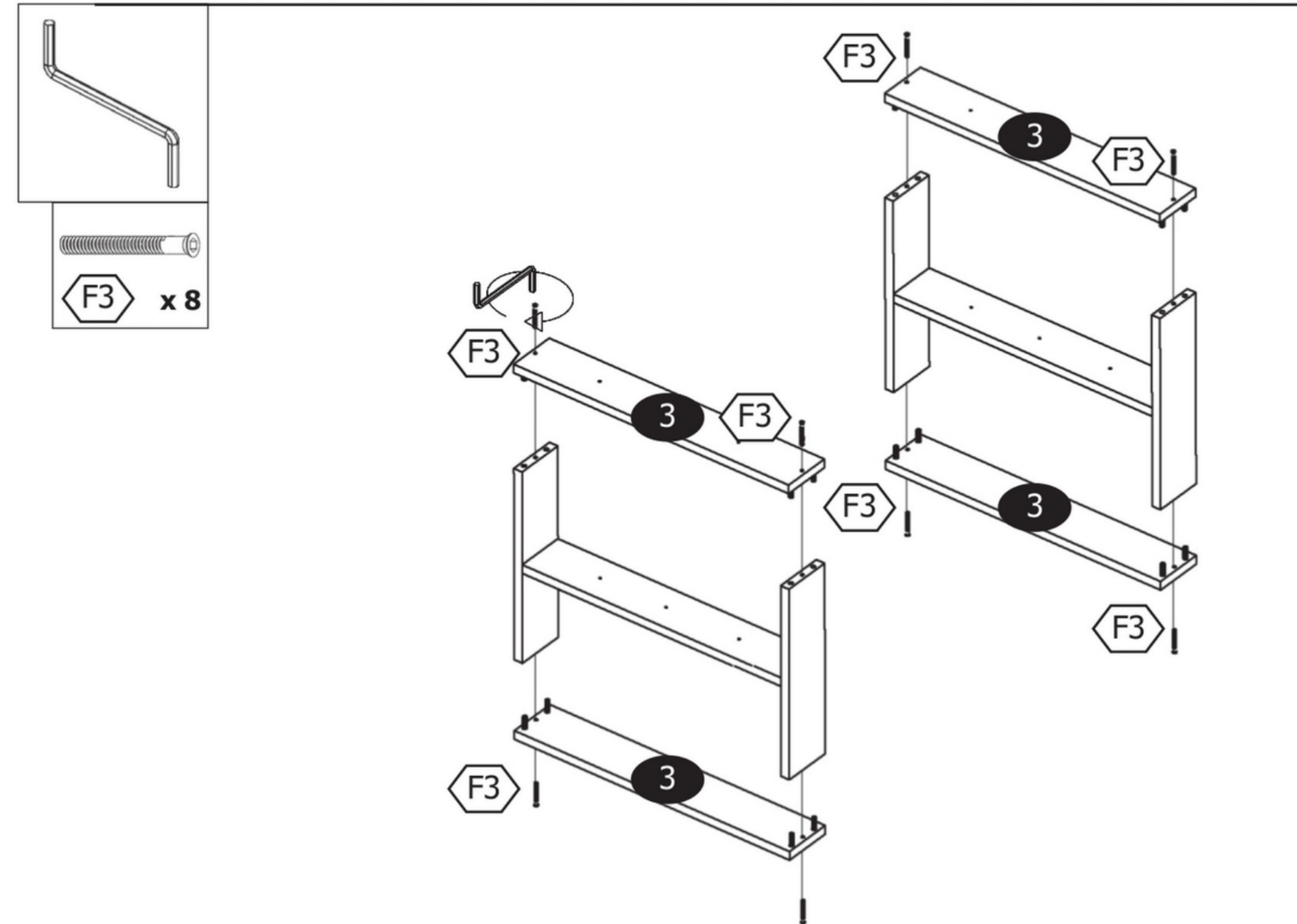
2



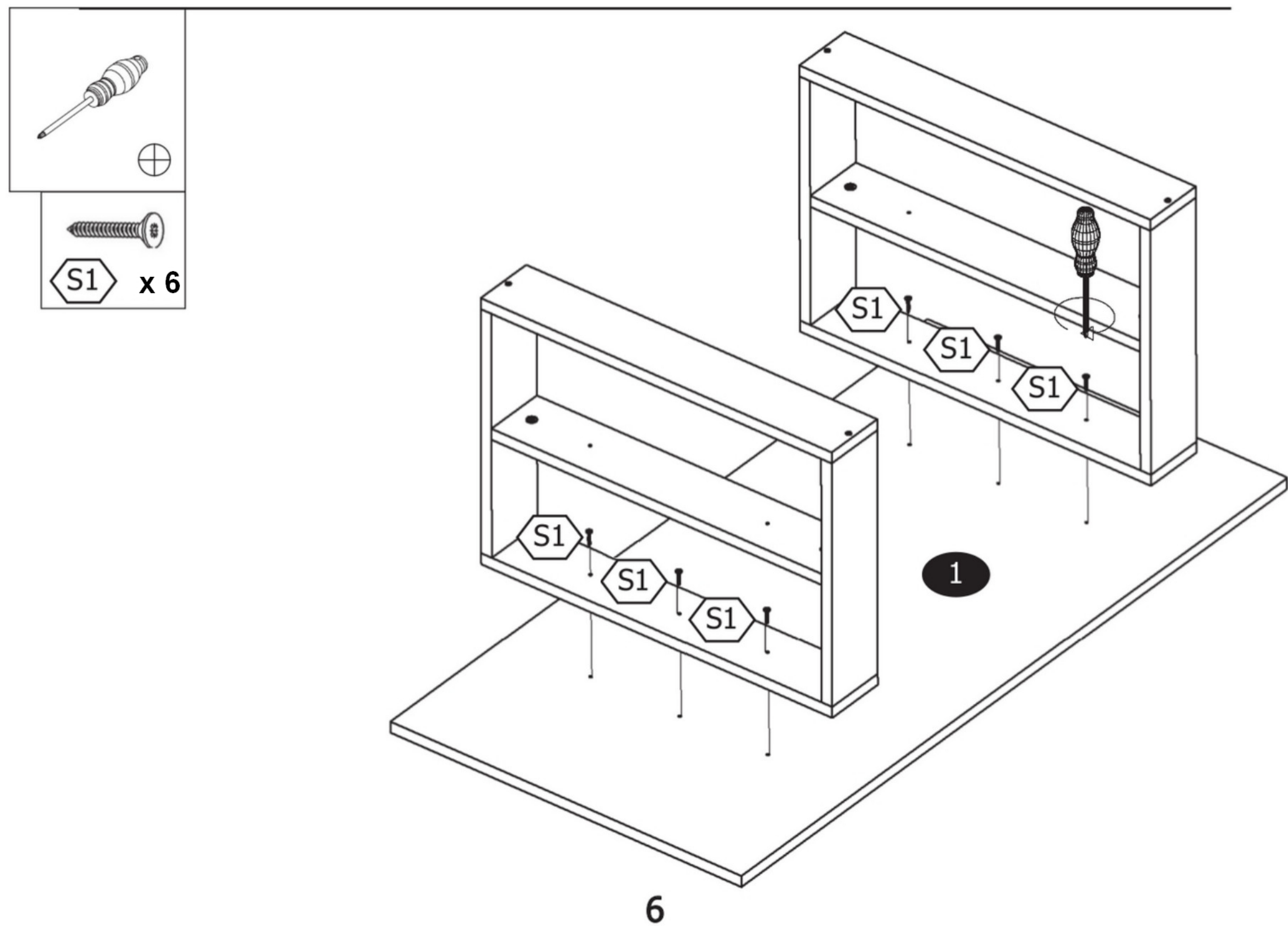
3



4



5



6

