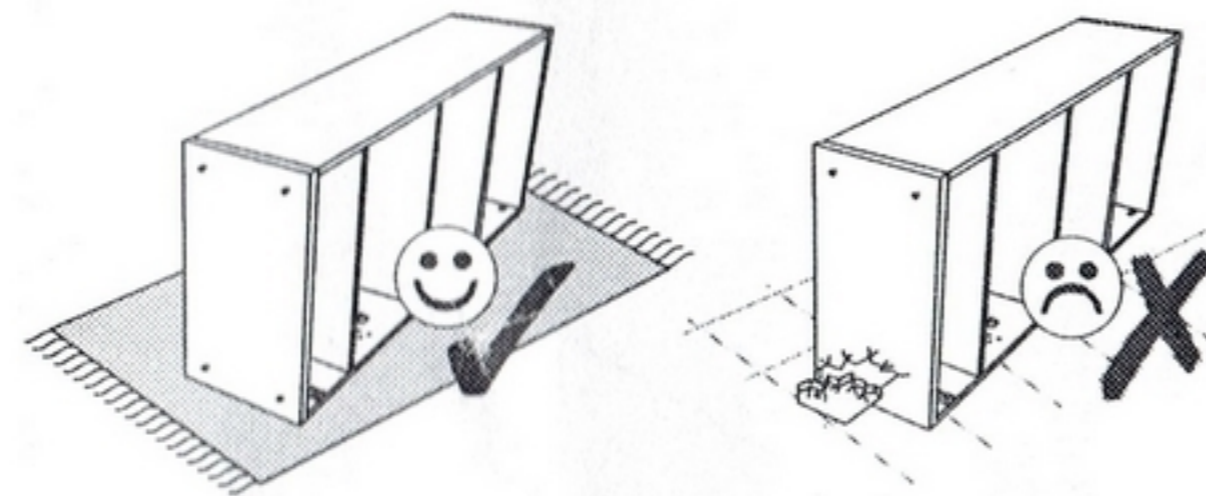
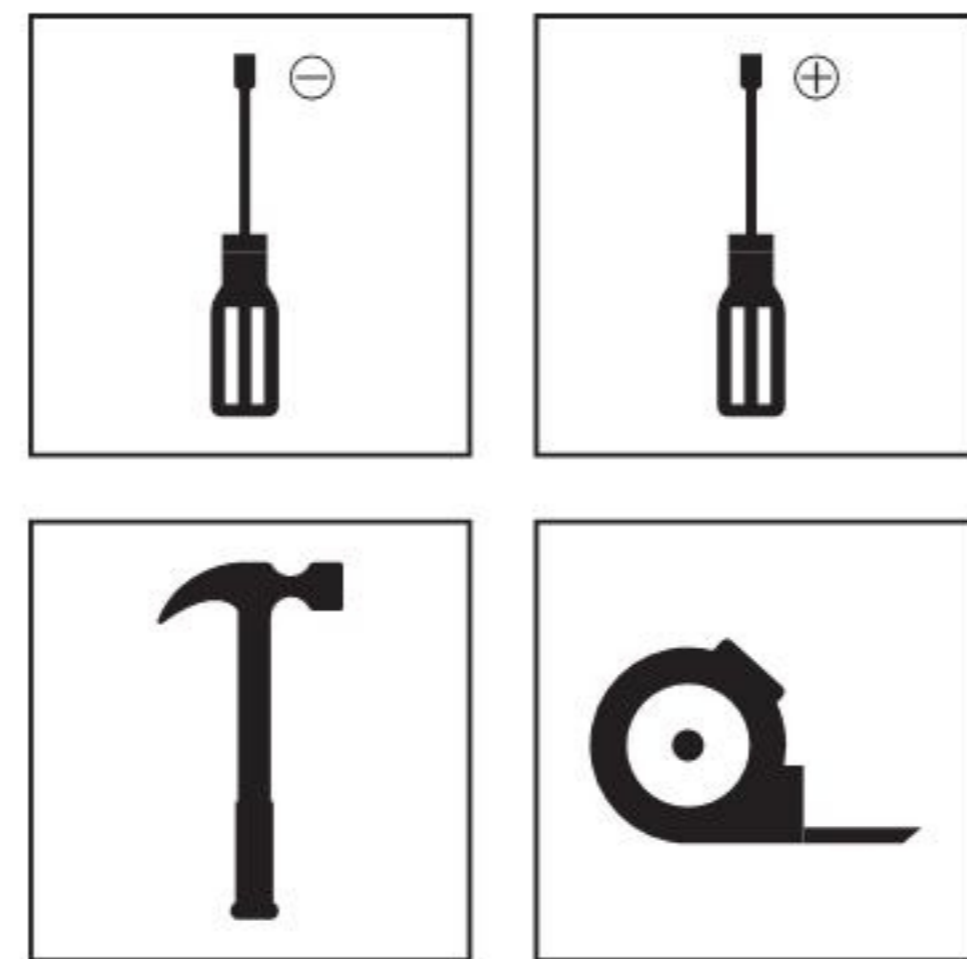


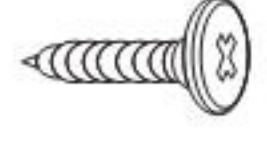
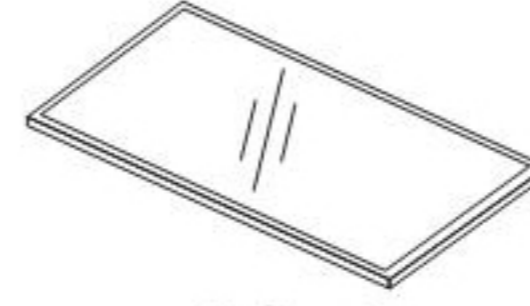
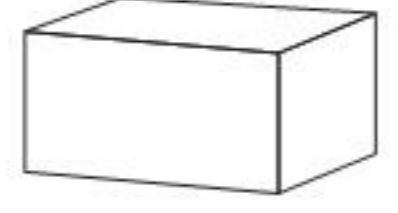
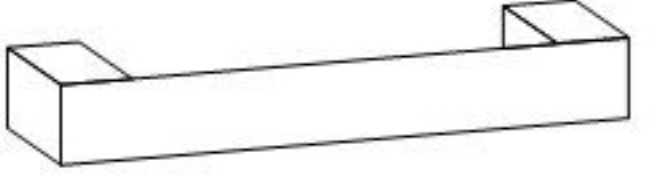

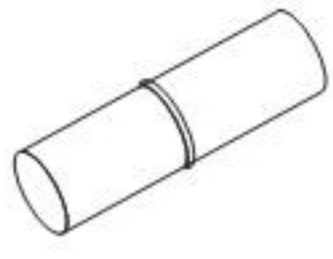
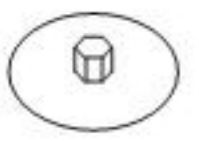

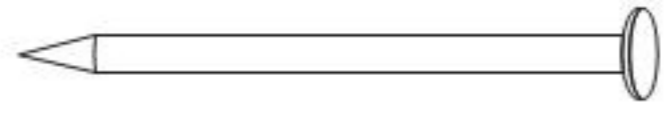


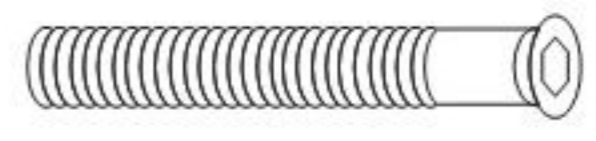
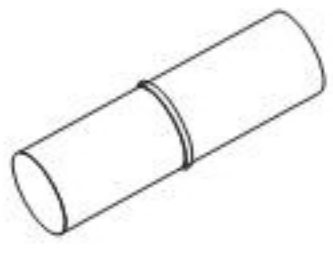

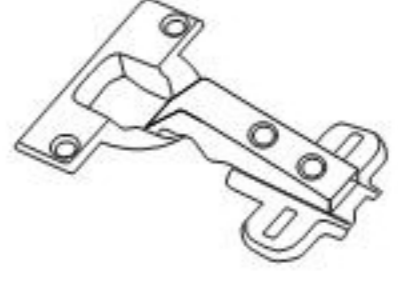
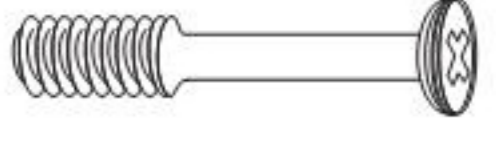
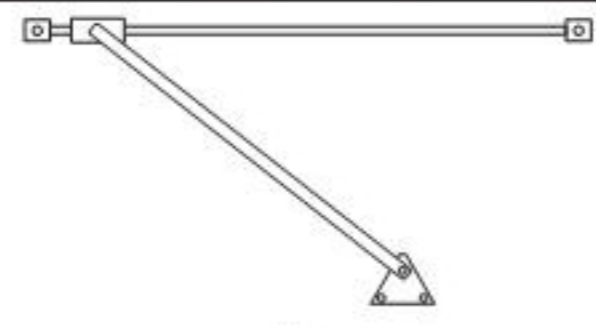
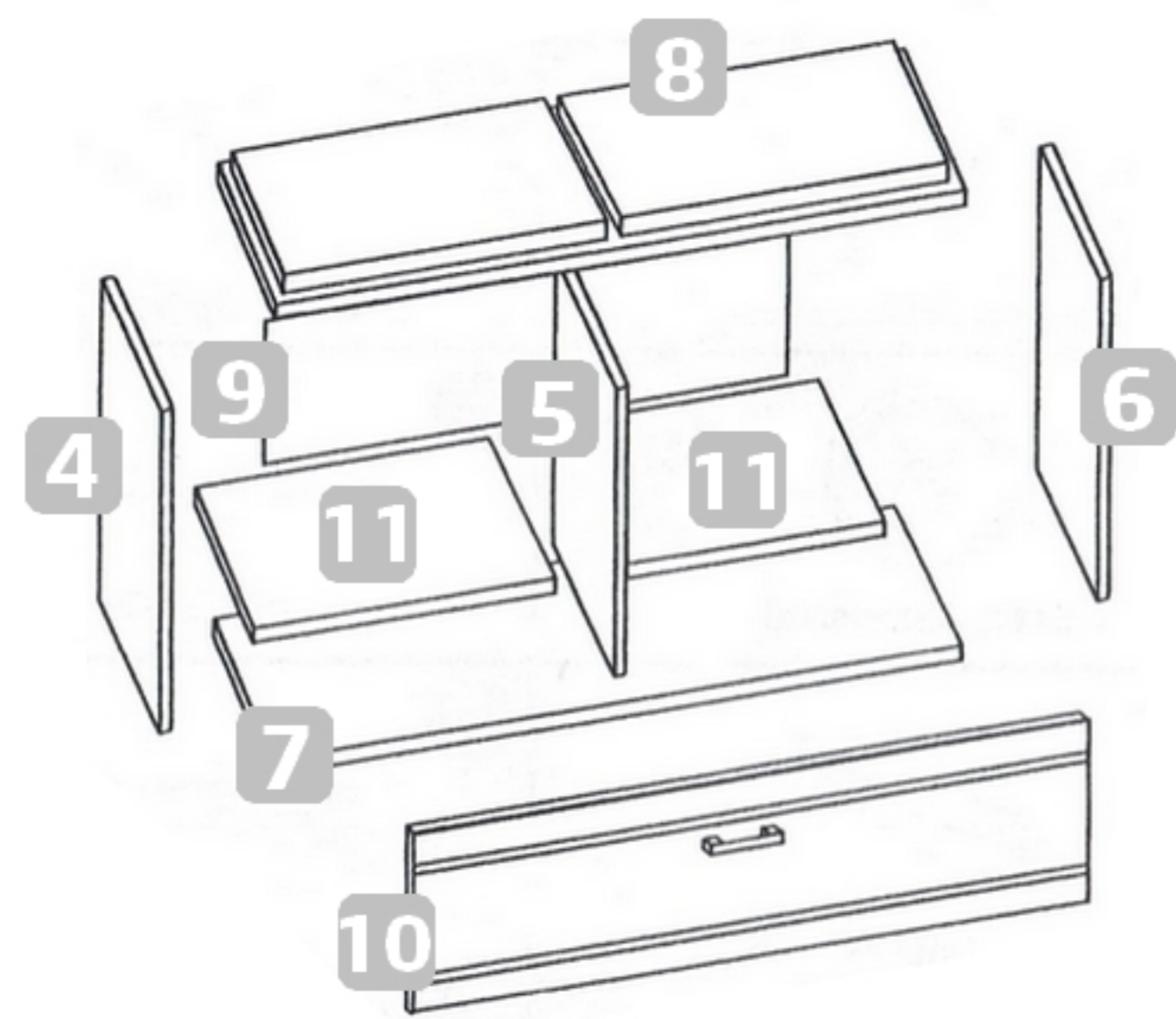
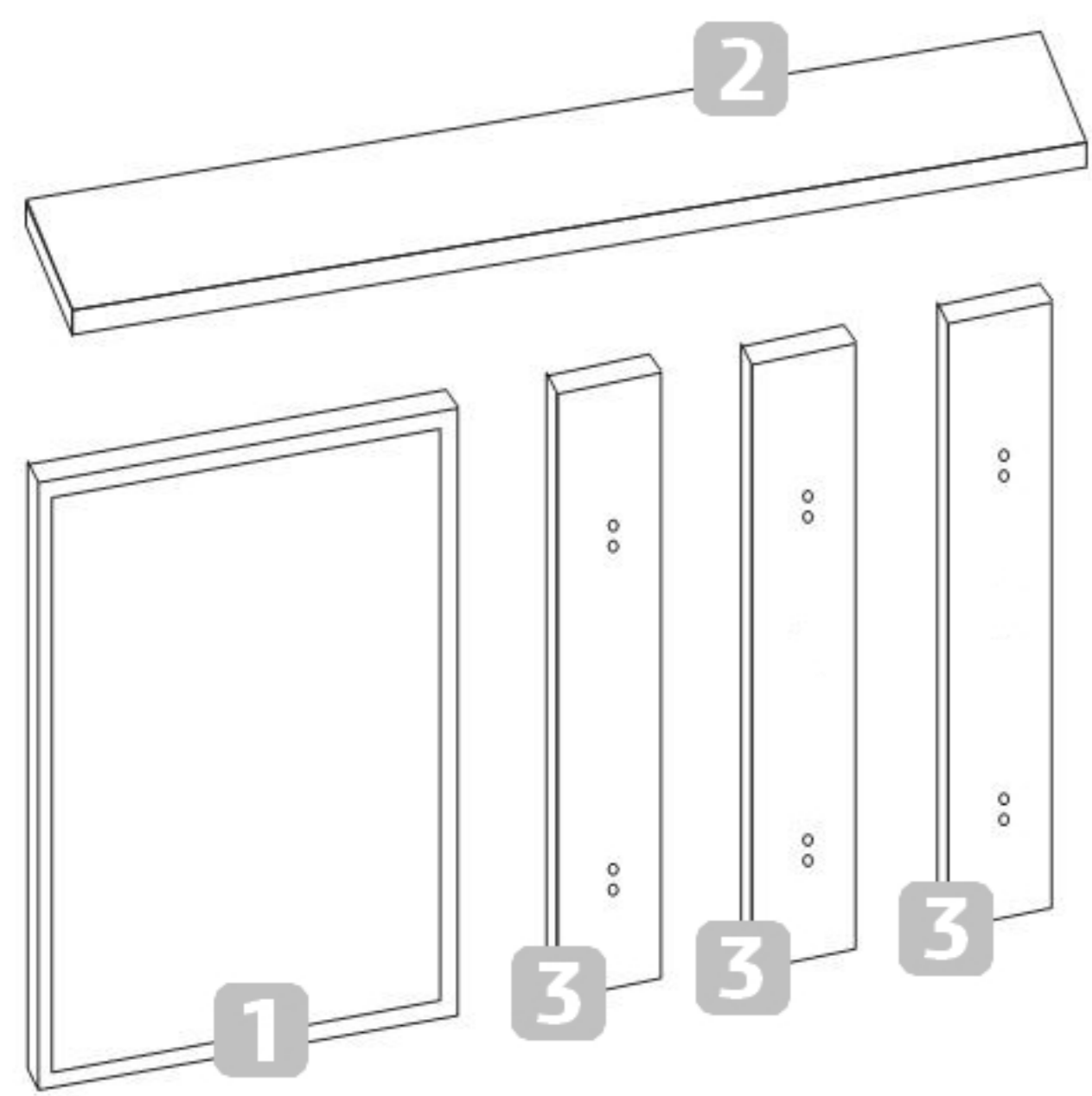


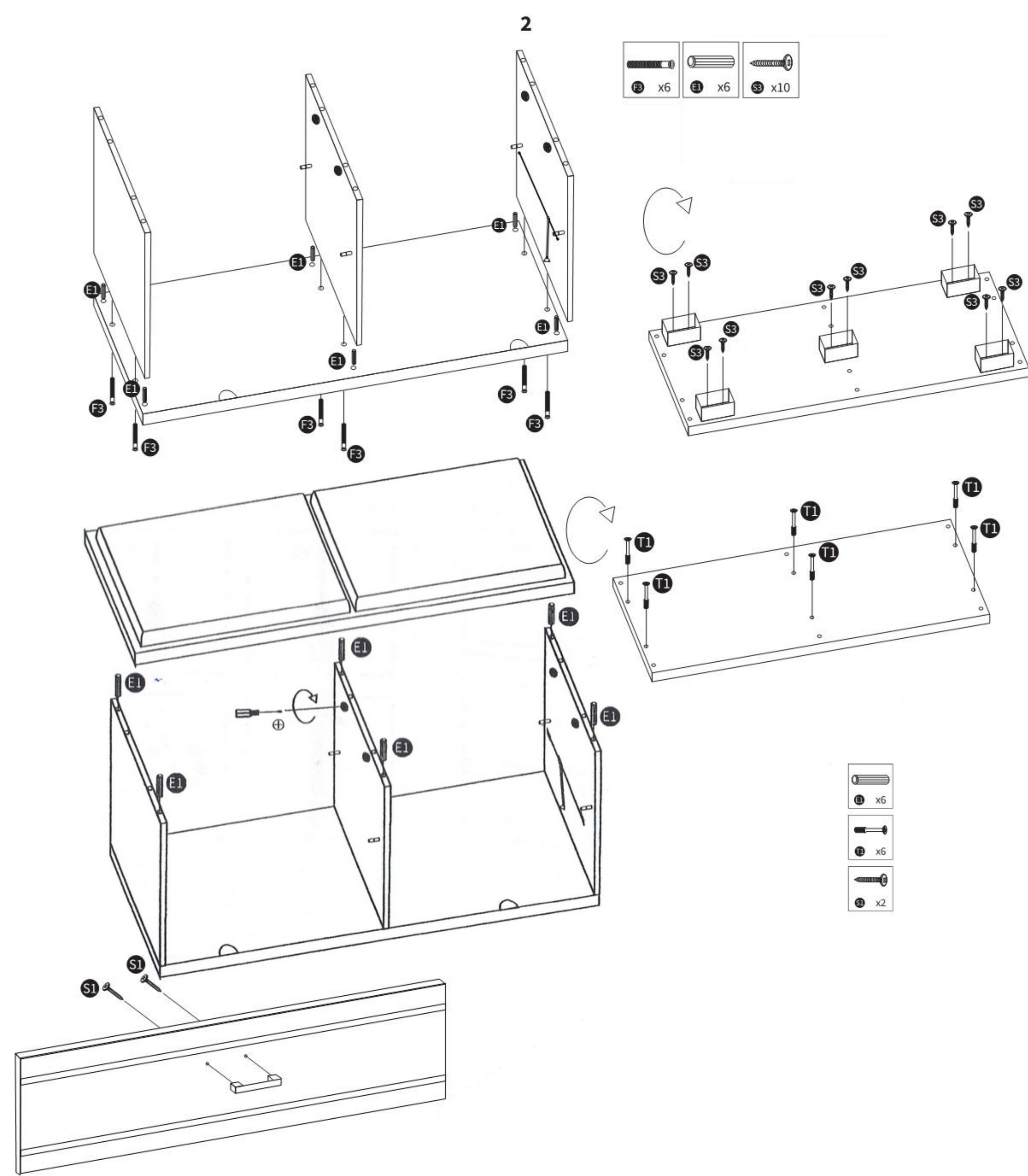
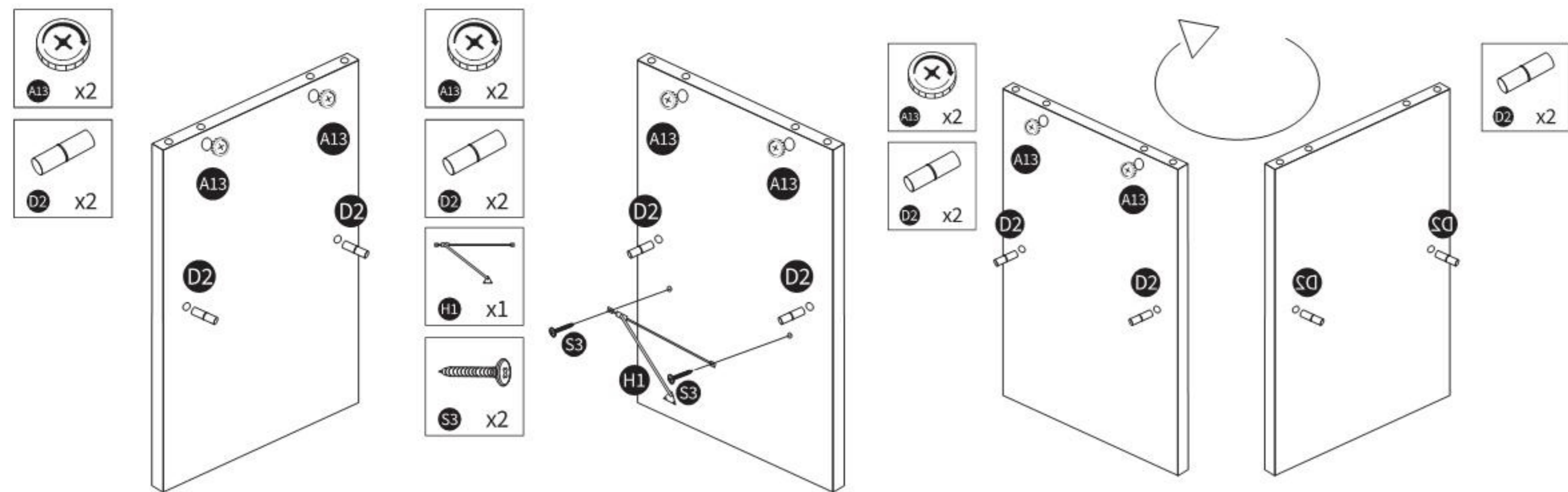
# OPAL



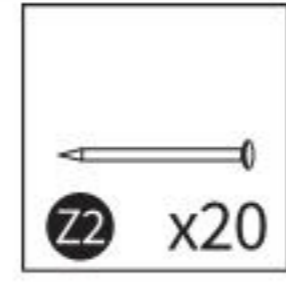
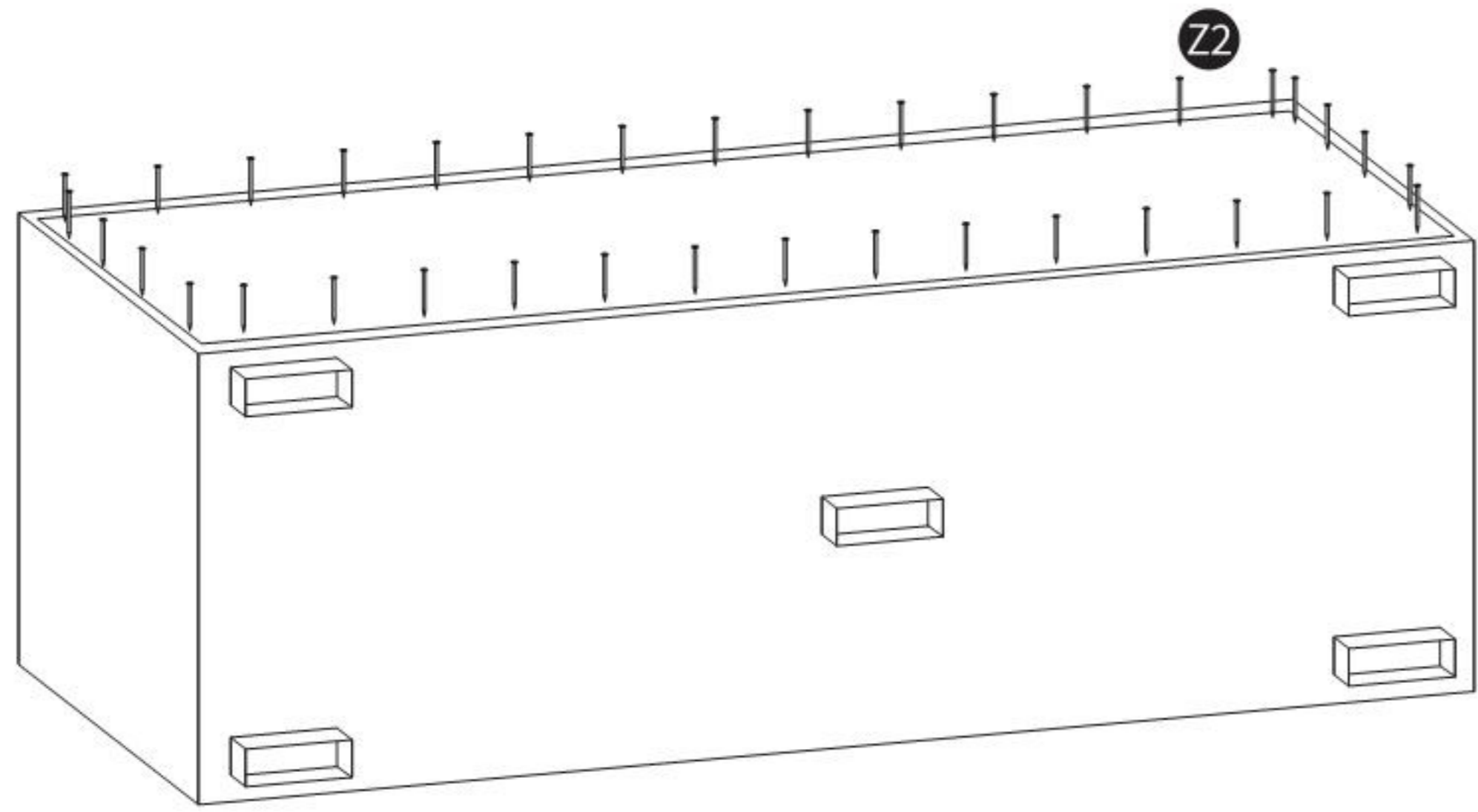
<b>E1</b>  Φ8x35mm x 12	<b>P9</b>  x 14	<b>S1</b>  x 10 3,5x16mm
 x 1	<b>H1</b>  x 5	<b>U1</b>  x 1
<b>K2</b>  x 1	<b>D2</b>  x 8	<b>F20</b>  x 6
<b>D12</b>  x 6	<b>Z2</b>  x 20	<b>S3</b>  x 14 3,5x25mm
<b>L5</b>  x 3	<b>F3</b>  x 15	<b>D2</b>  x 8
<b>L6</b>  x 3	<b>Z1</b>  x 2	<b>T1</b>  x 6
<b>H1</b>  x 1		



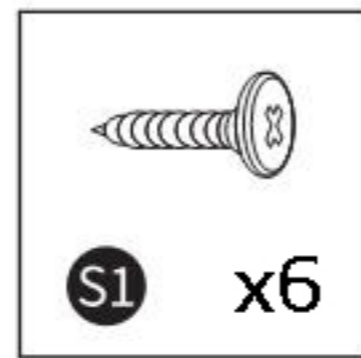
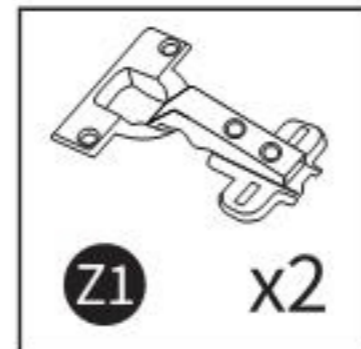
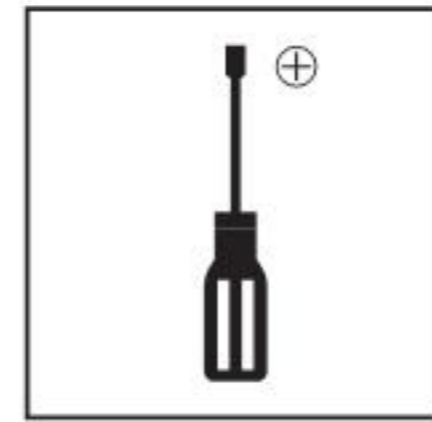
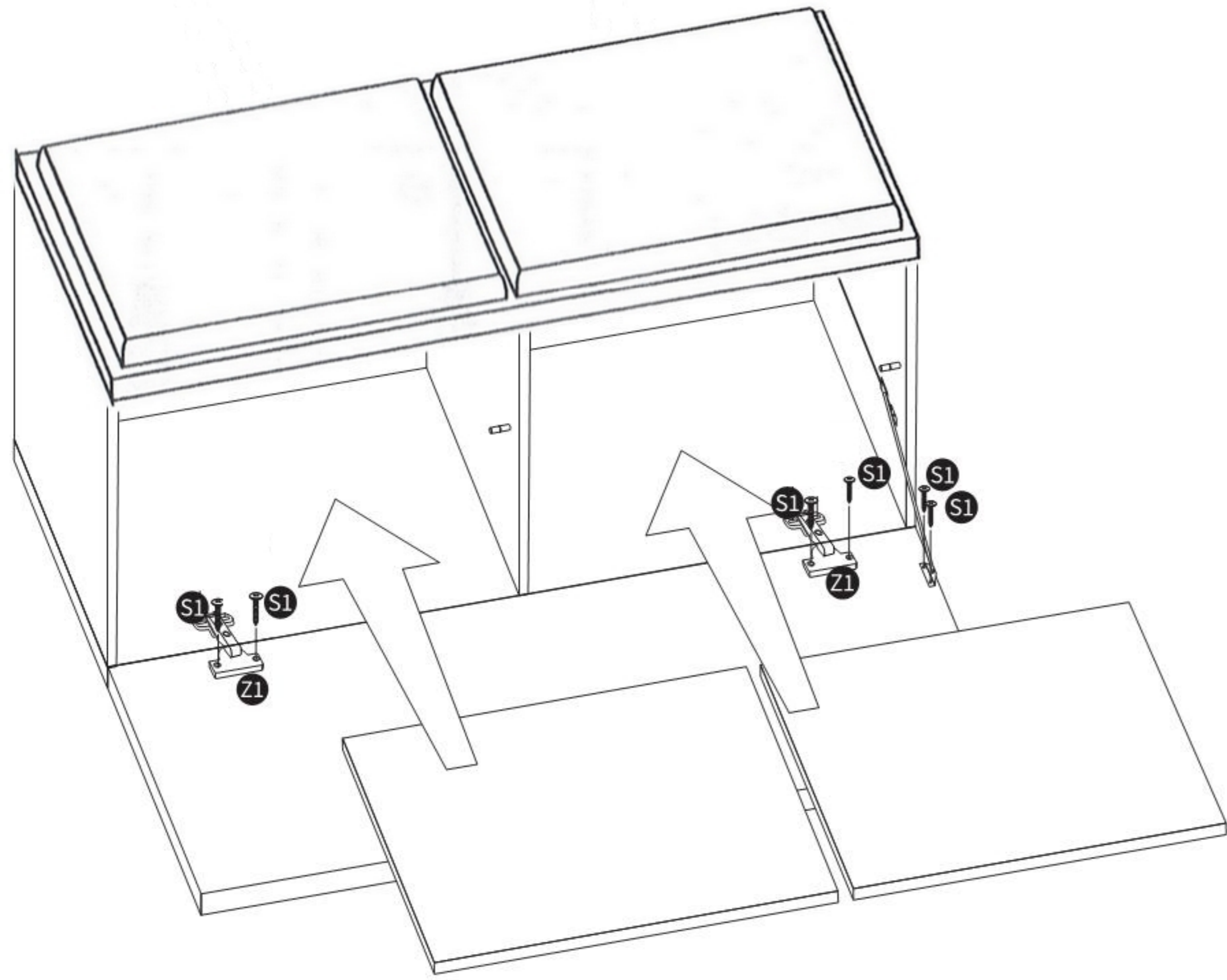
1



3



4



5

