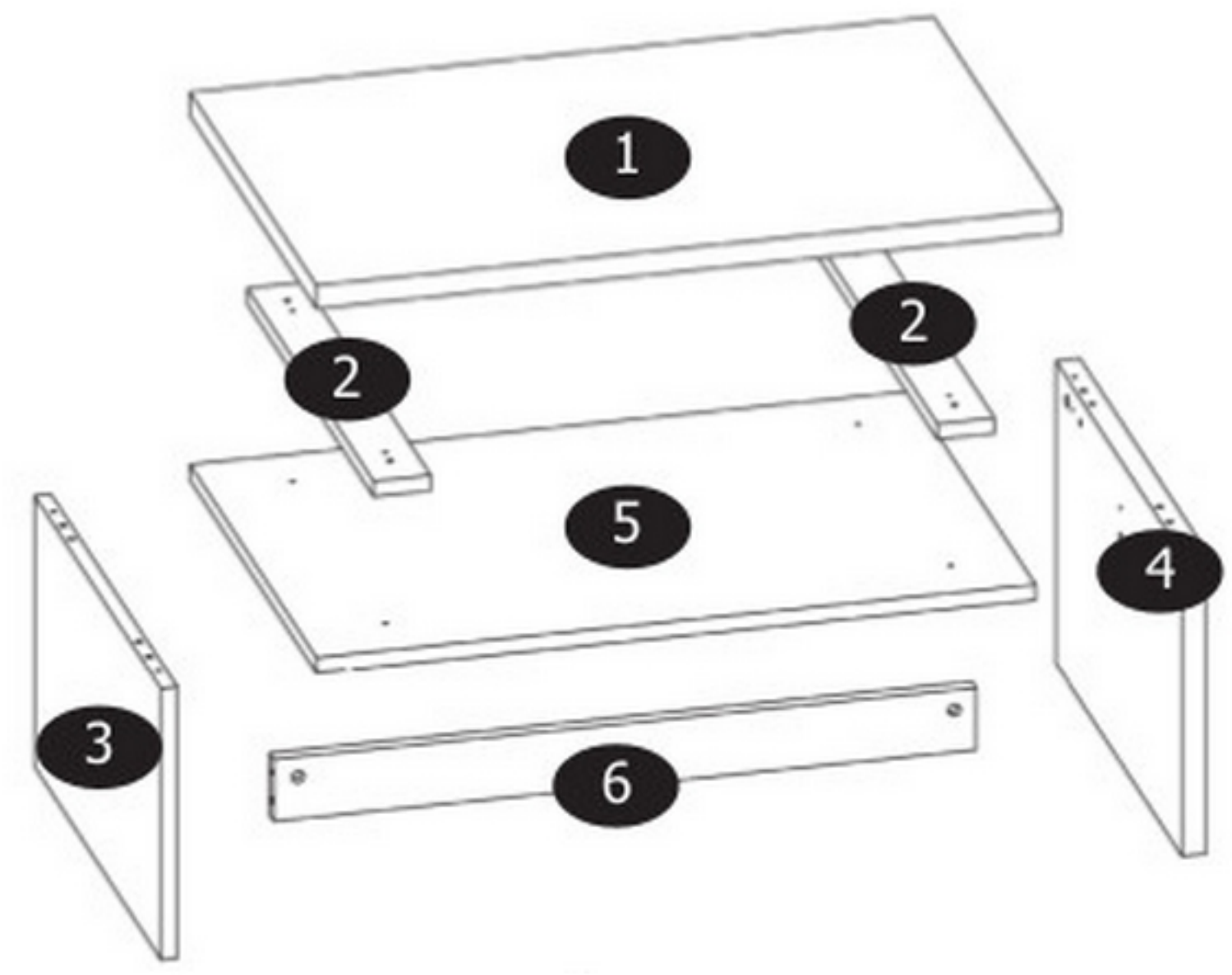
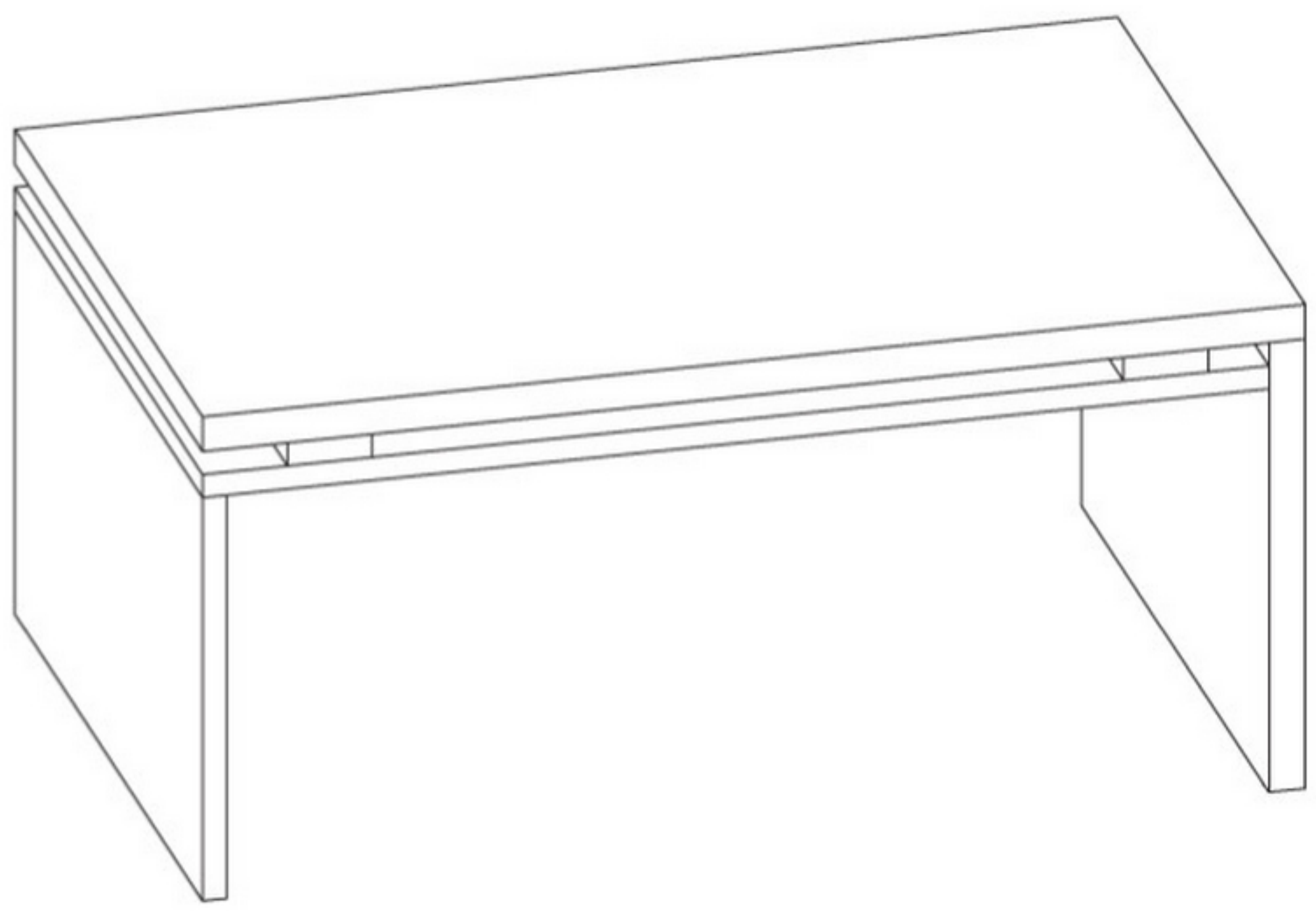



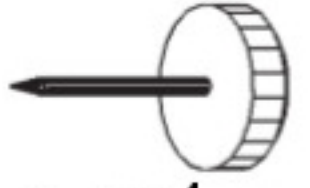


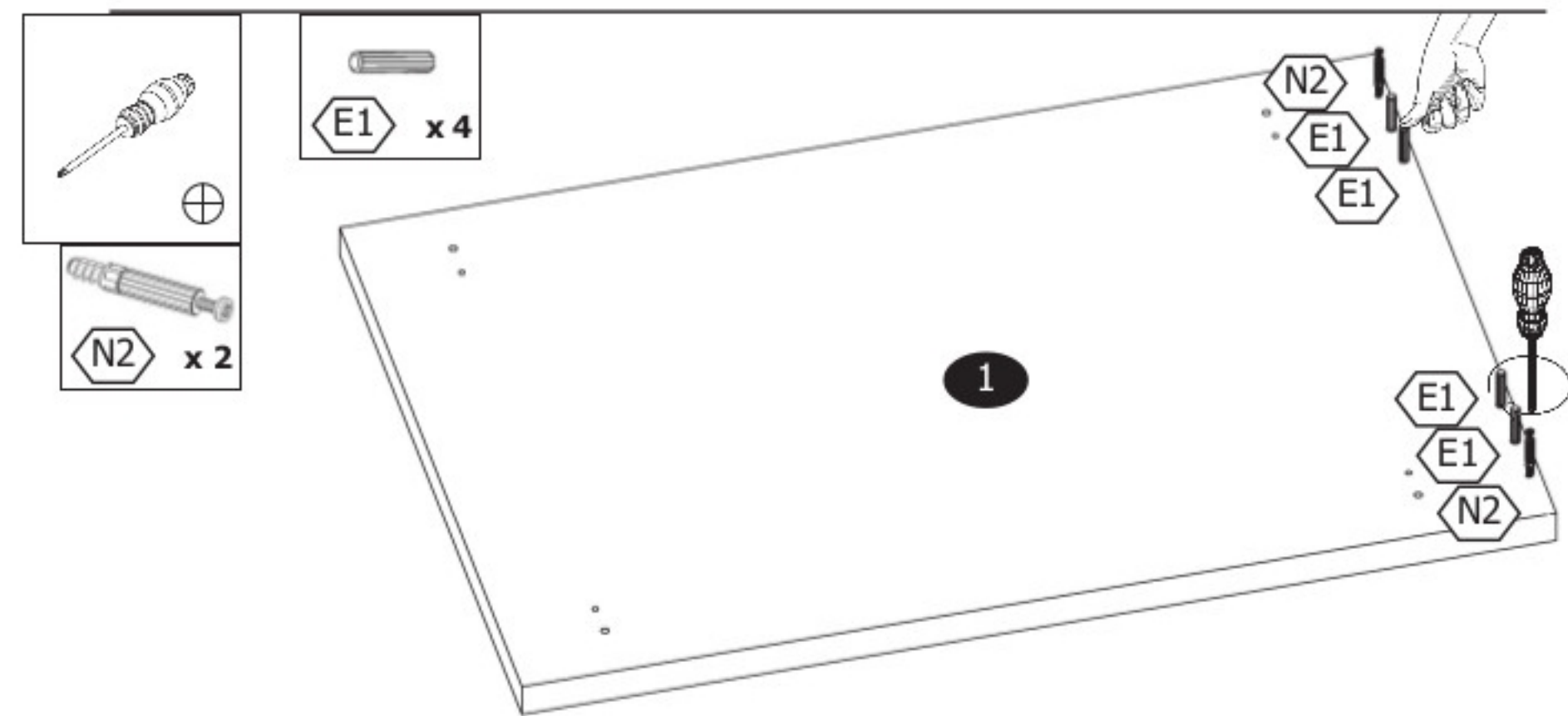
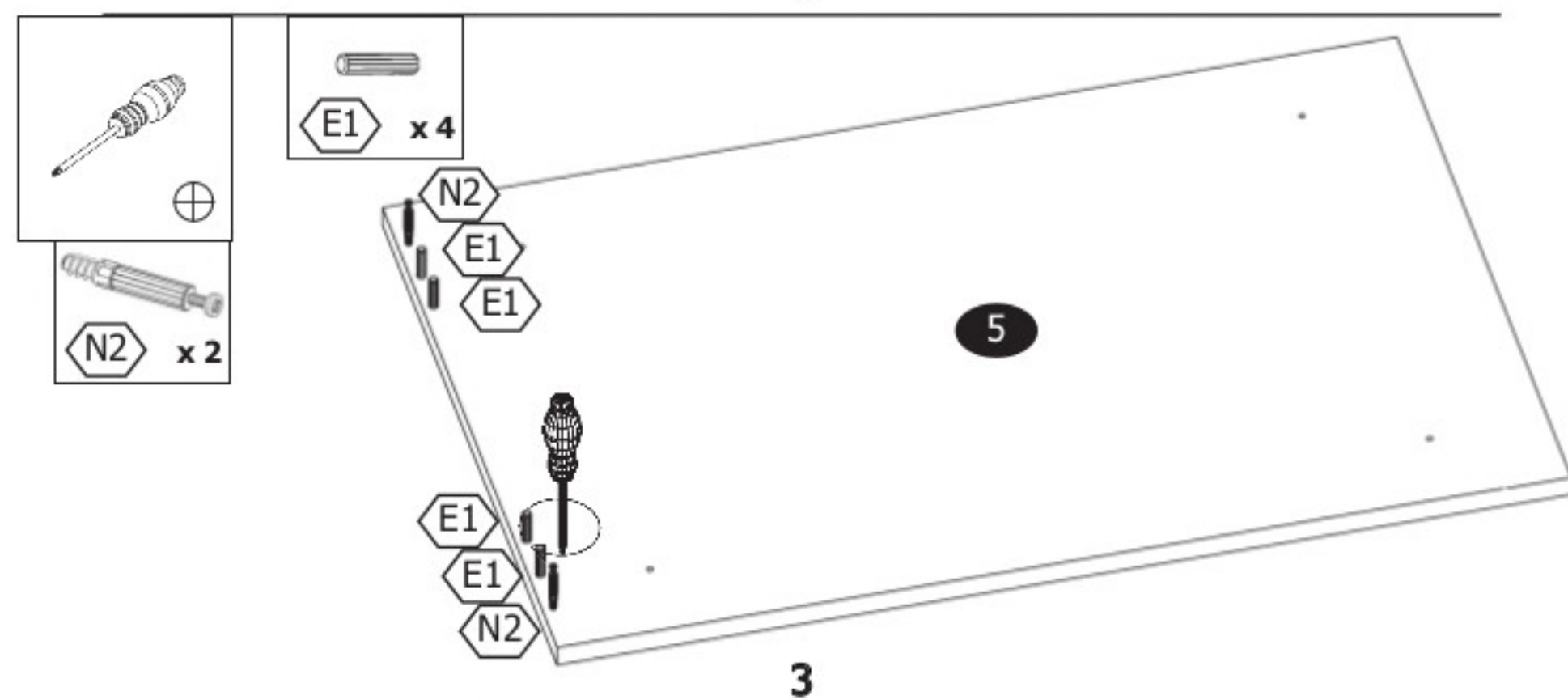
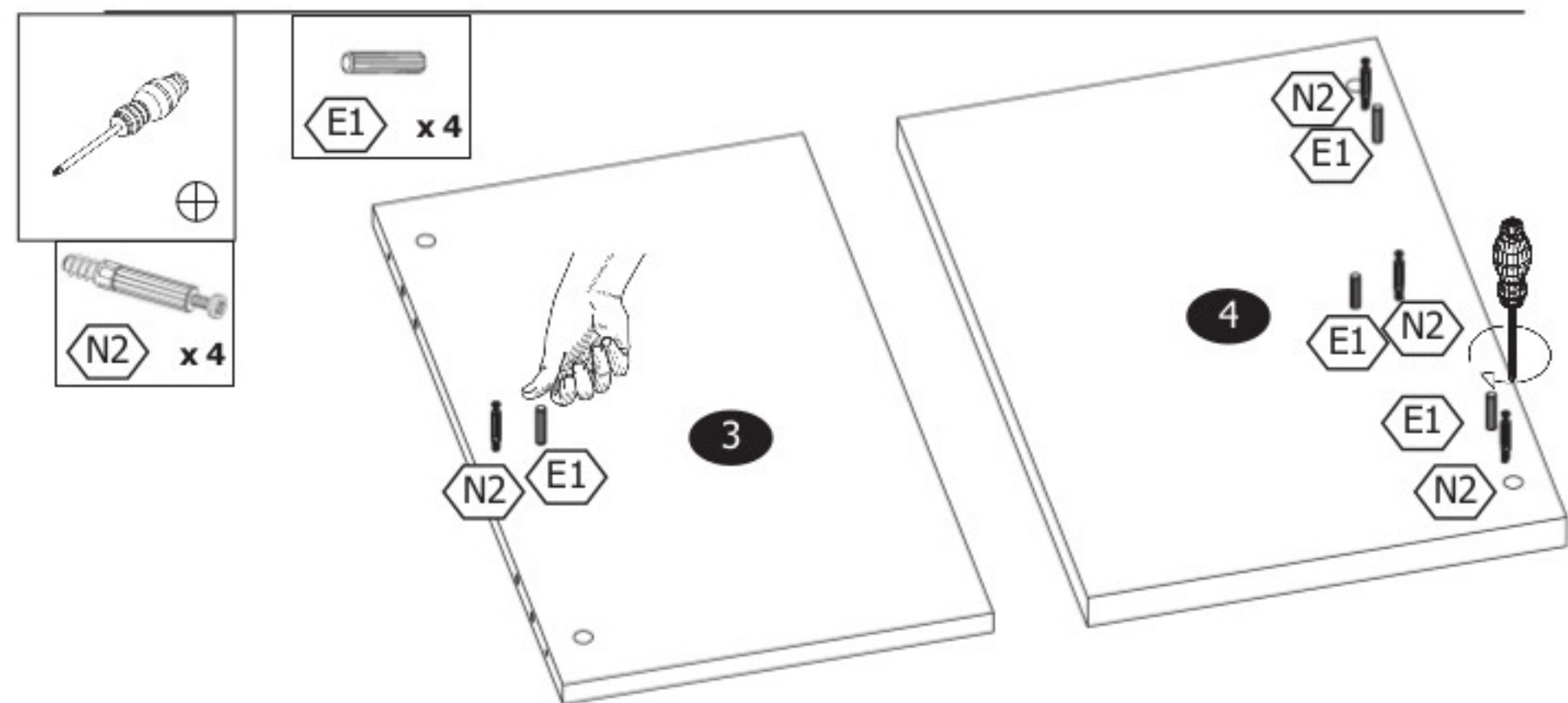
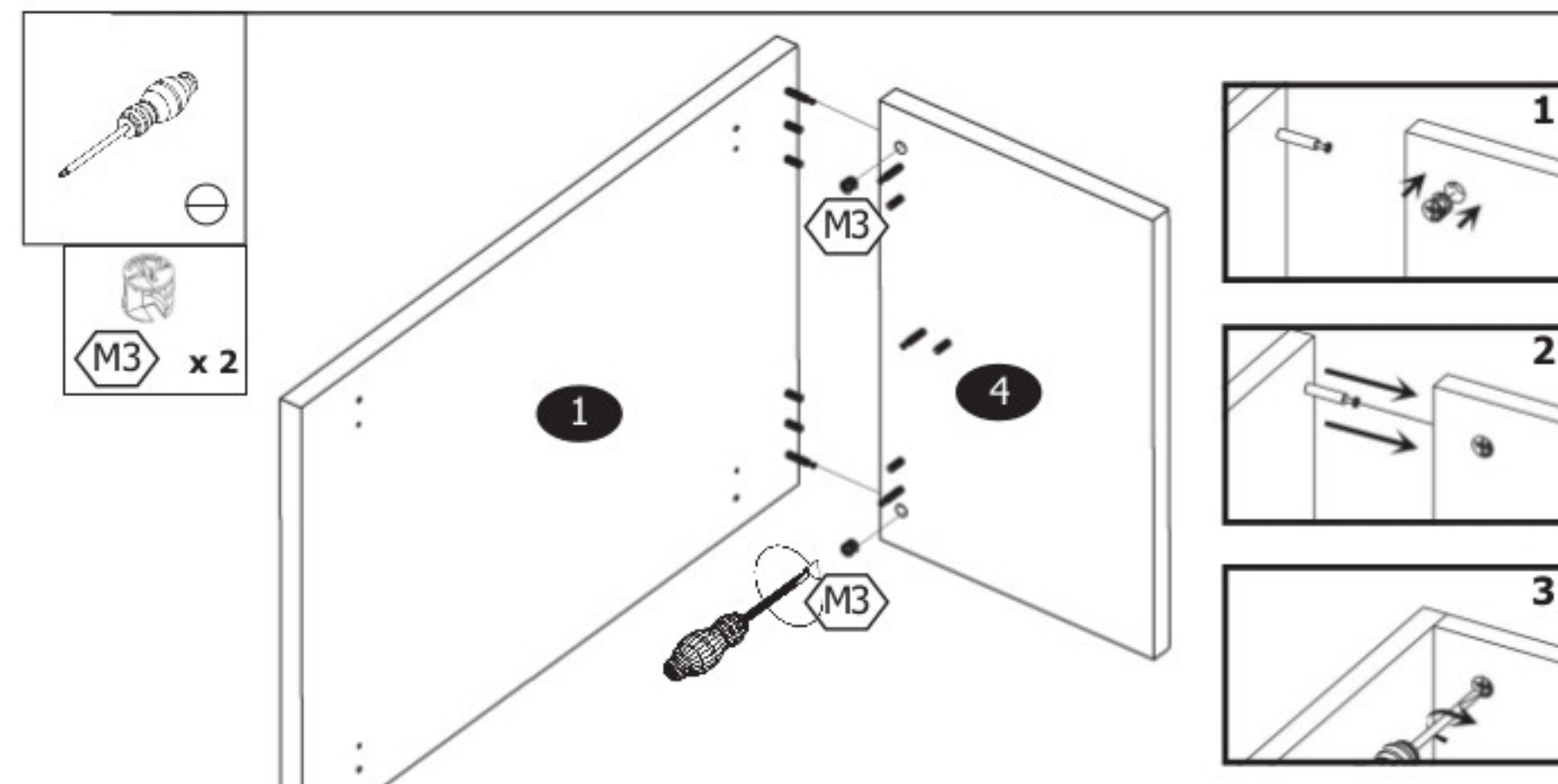
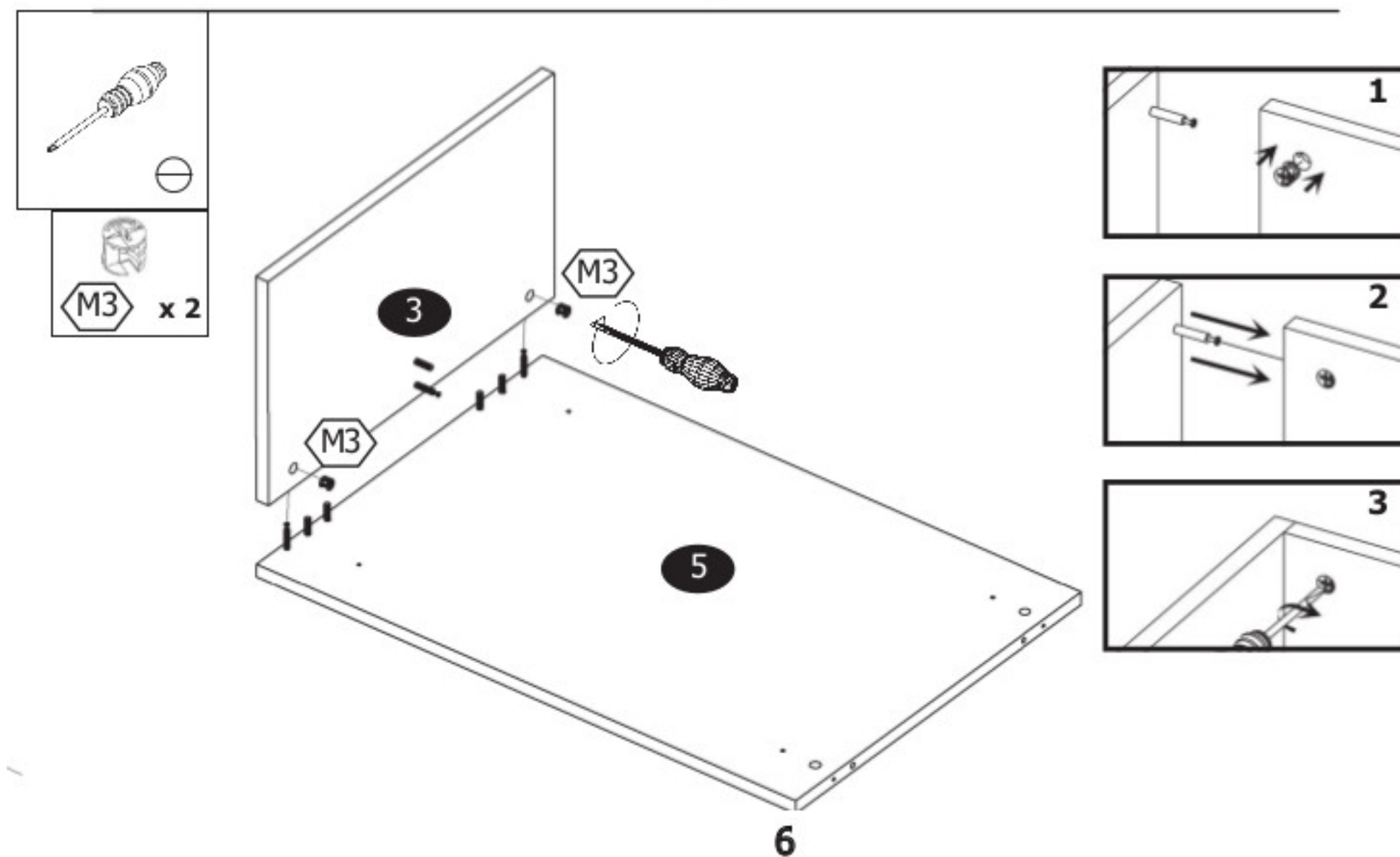
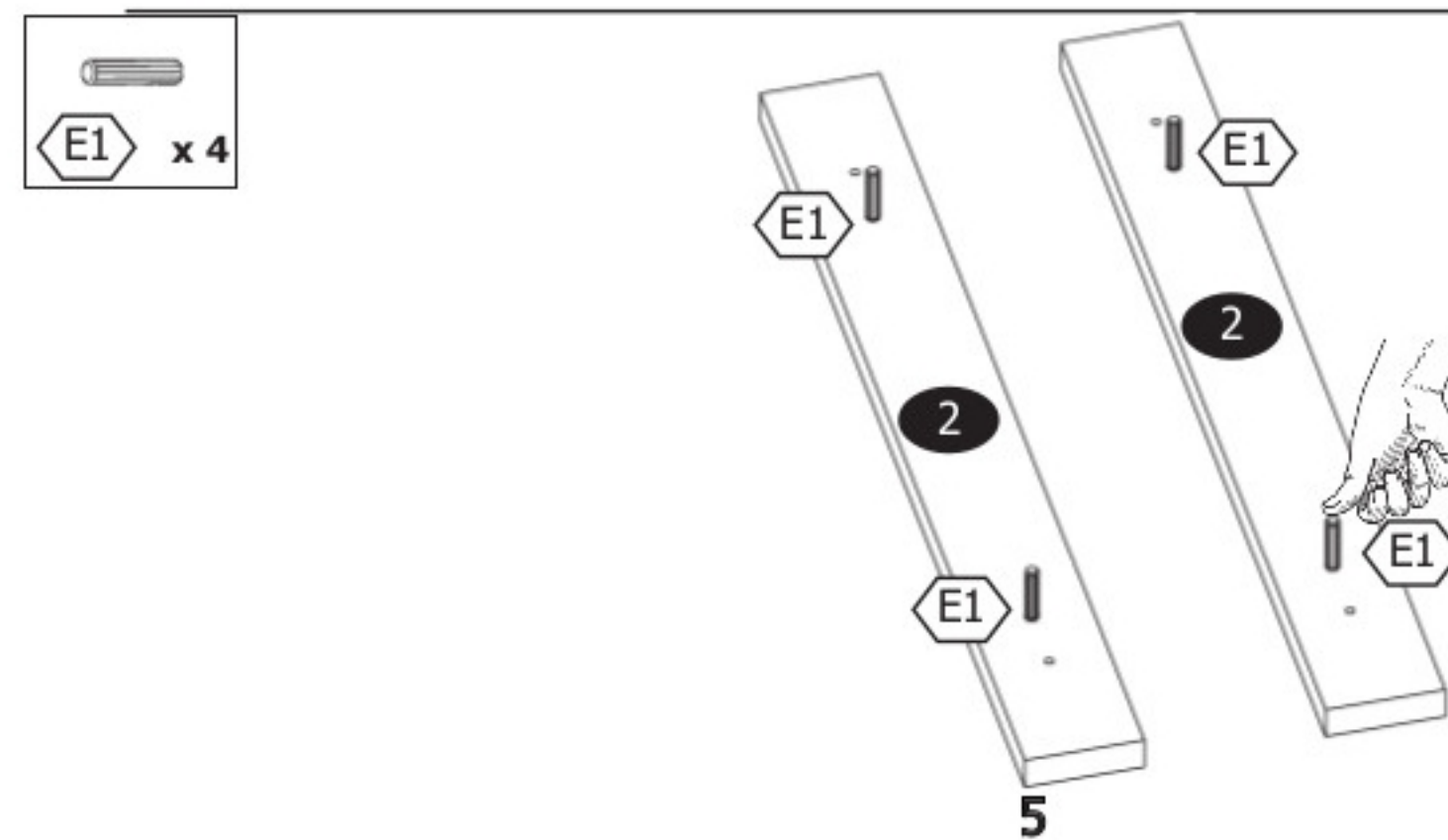


# LUX

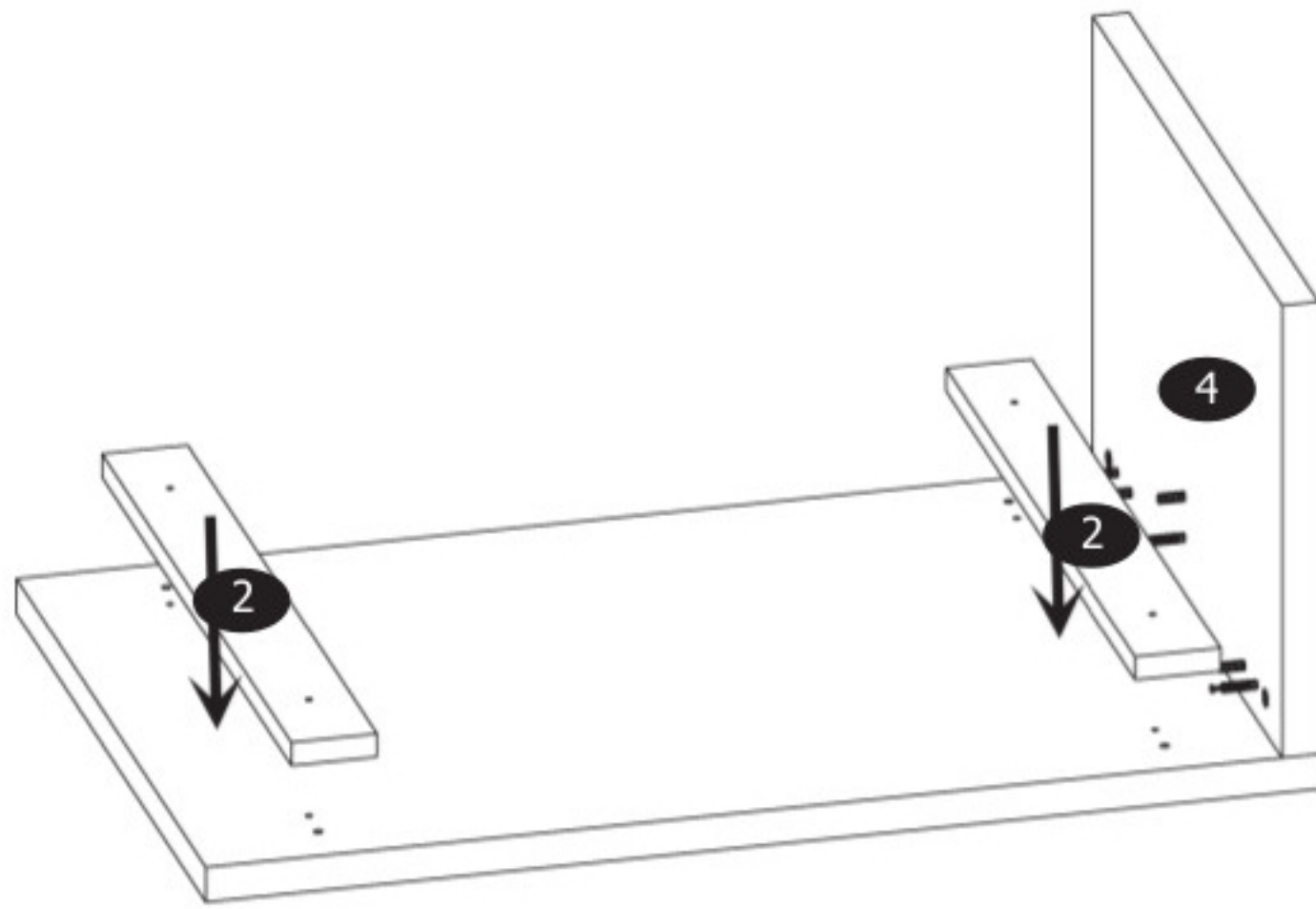


 N2 x 8	 E1 x 12	 M3 x 8
 T1 x 4	 K1 x 1	 F3 x 4

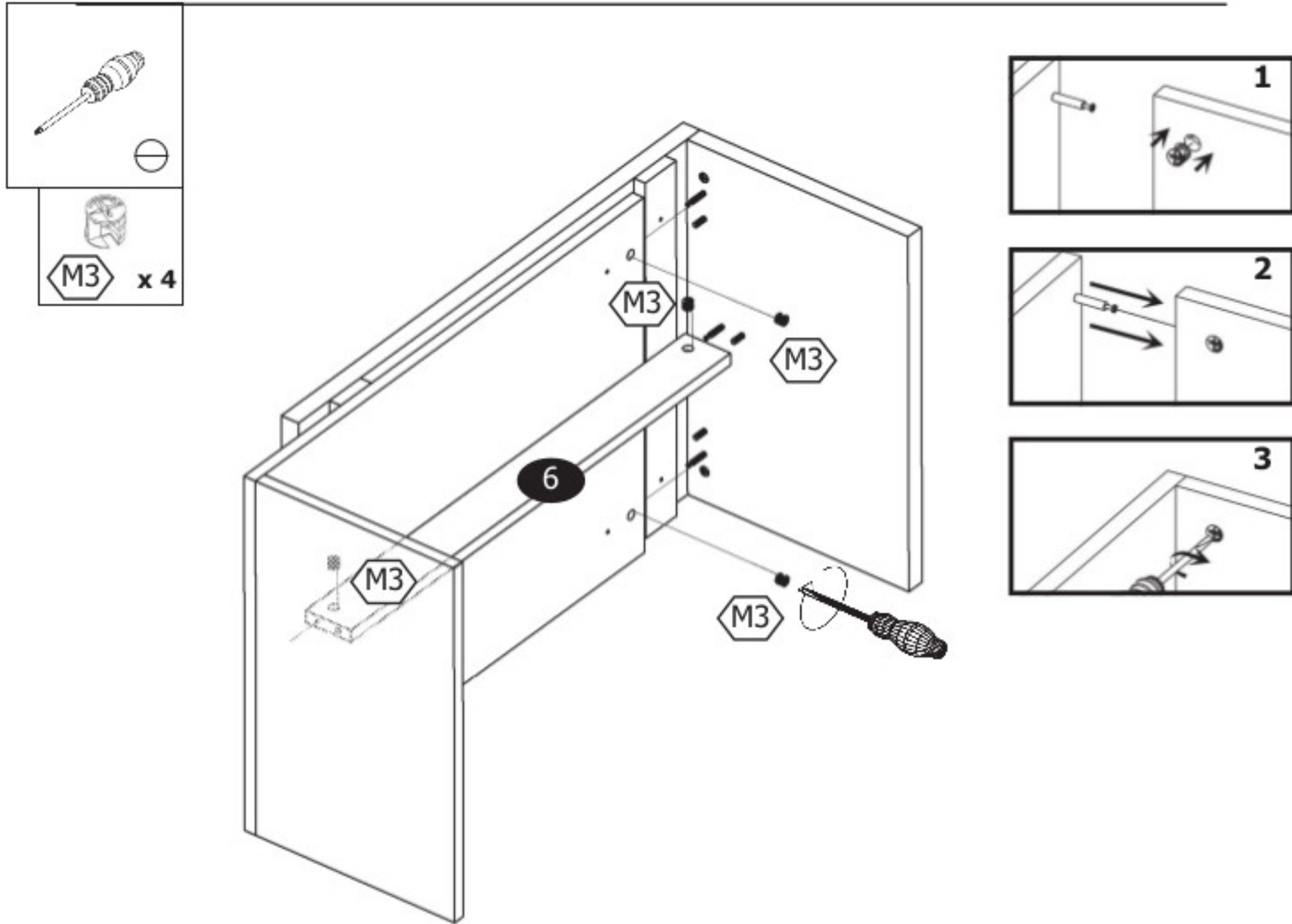
- 1 x 1
- 2 x 2
- 3 x 1
- 4 x 1
- 5 x 1
- 6 x 1

**1****2****3****4**

7



8



9

