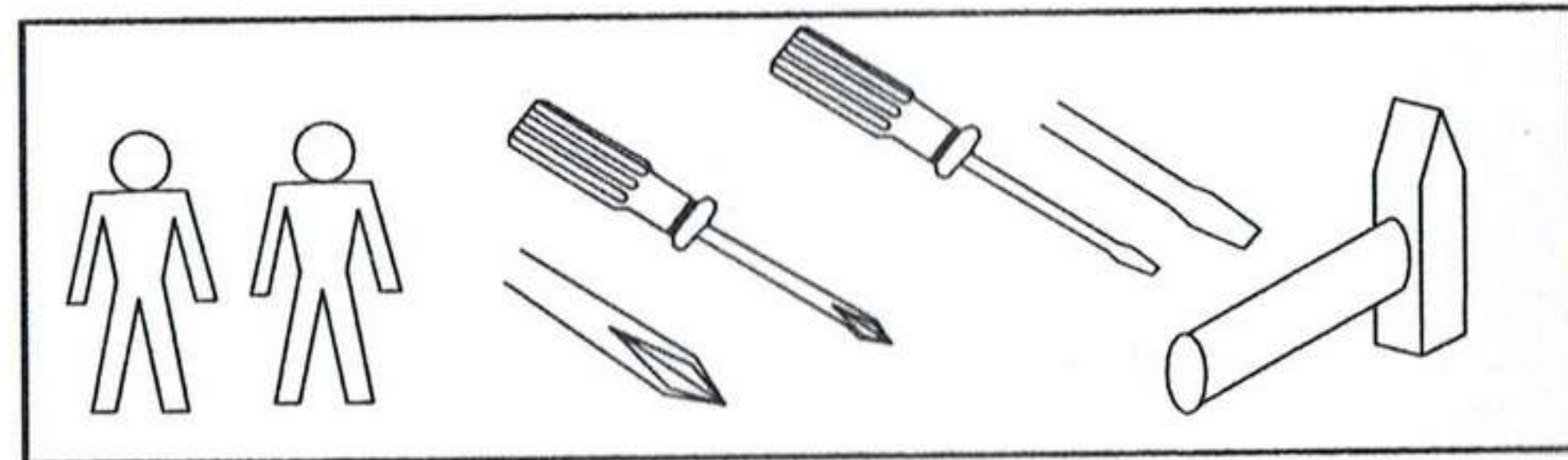
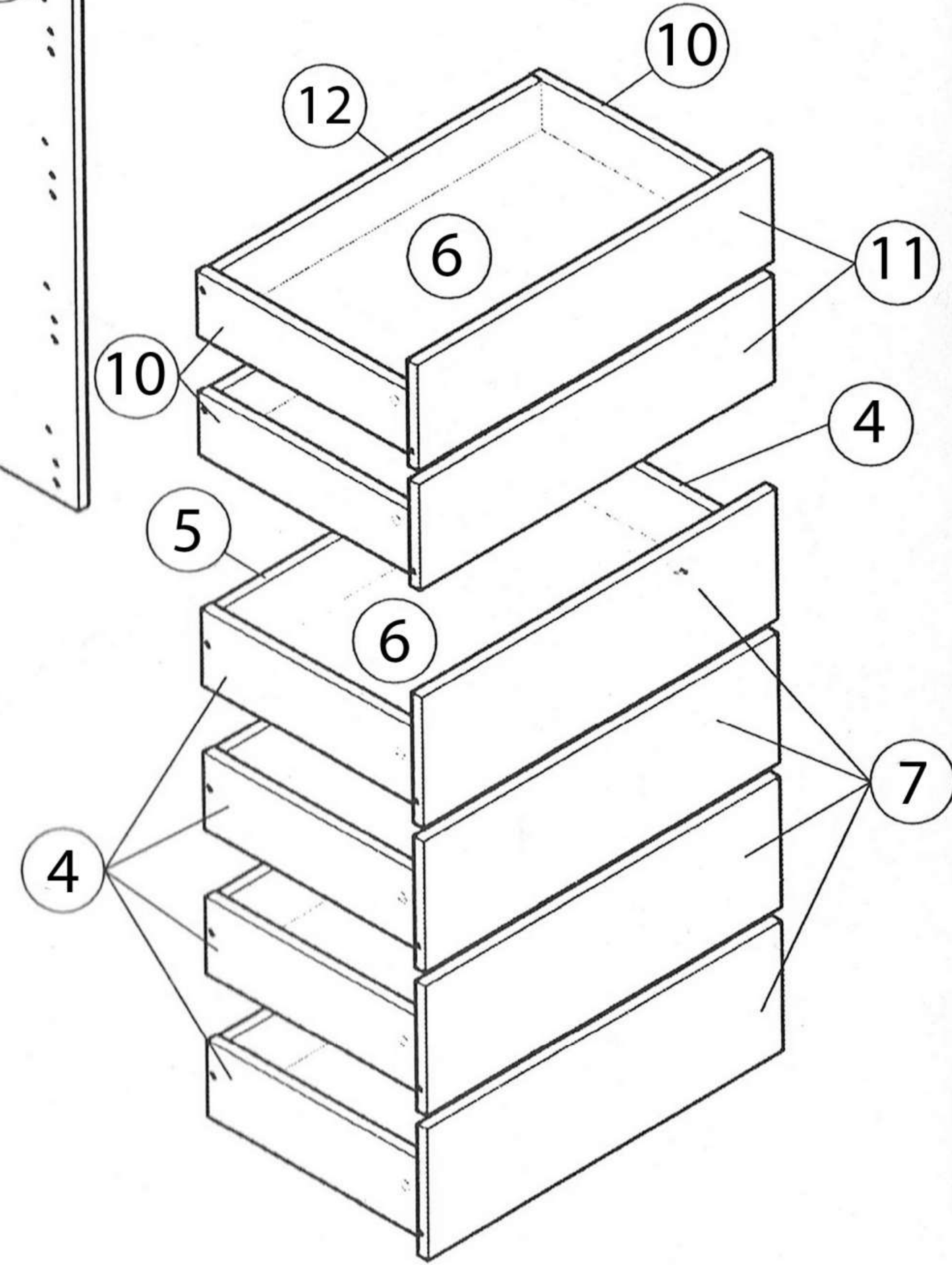
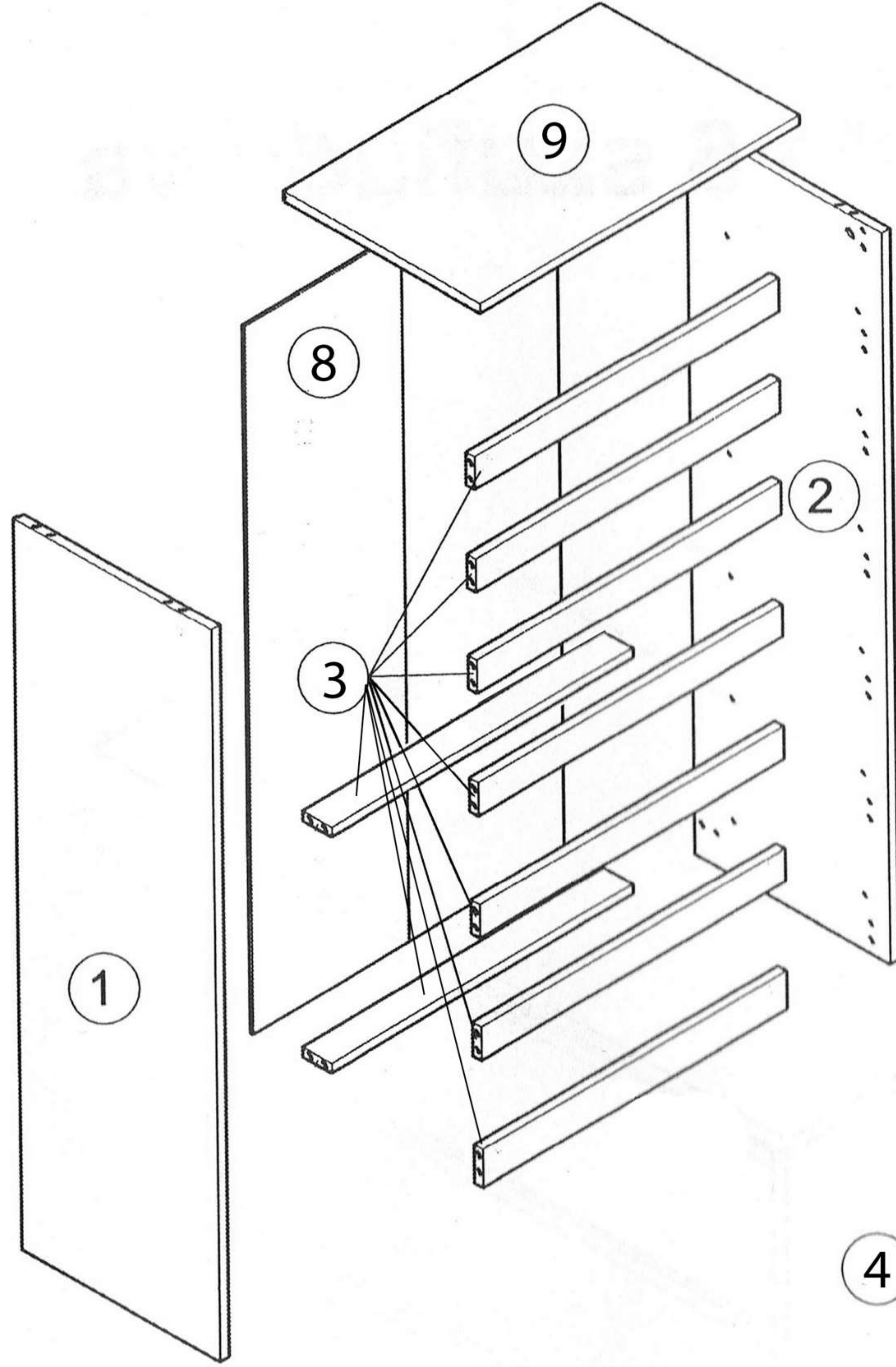
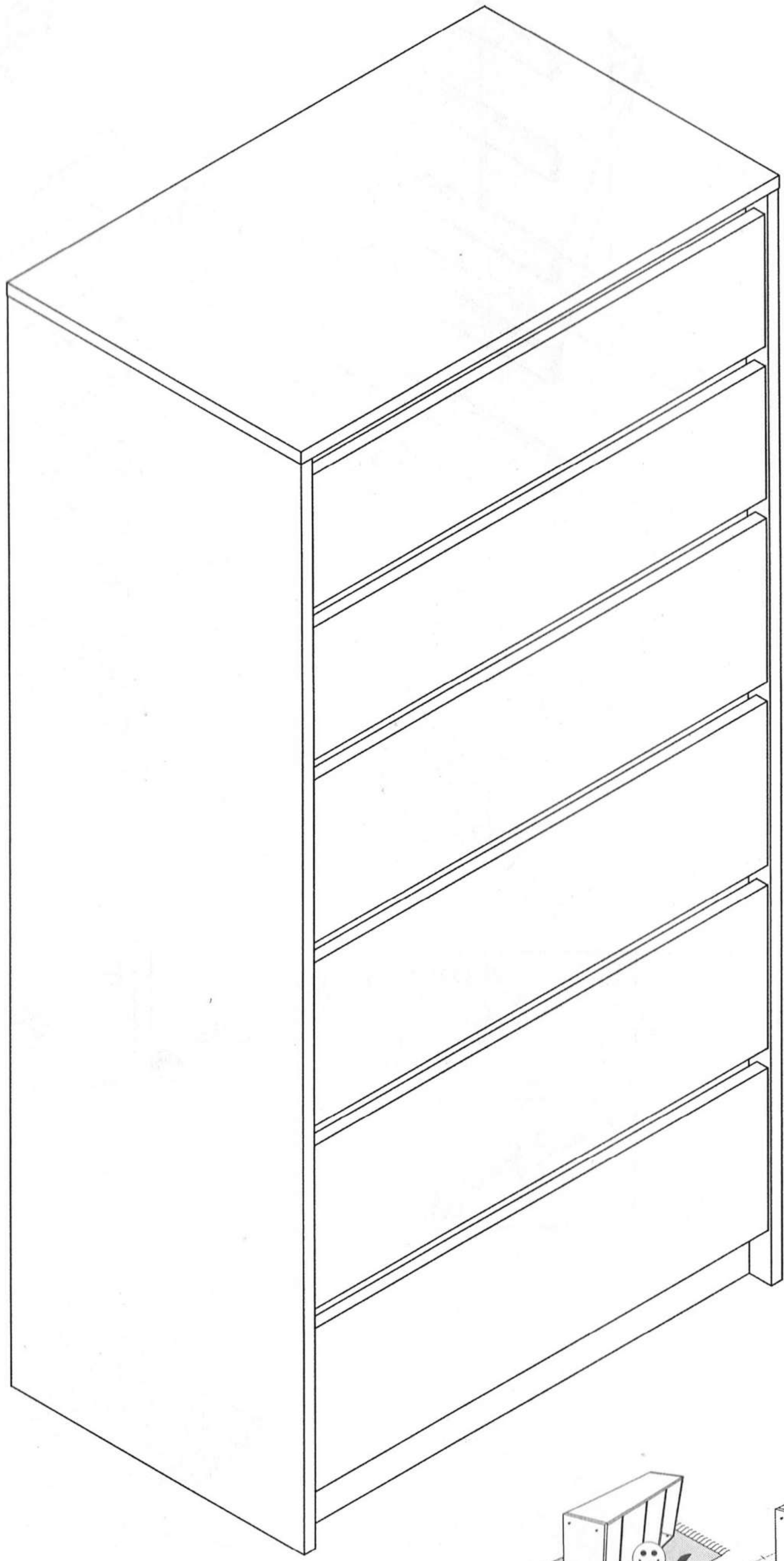
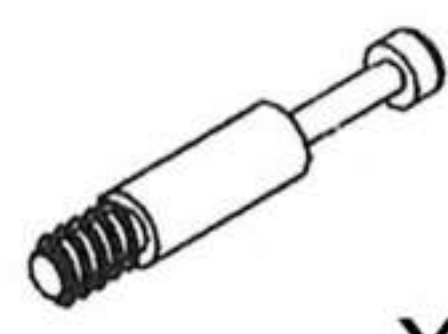
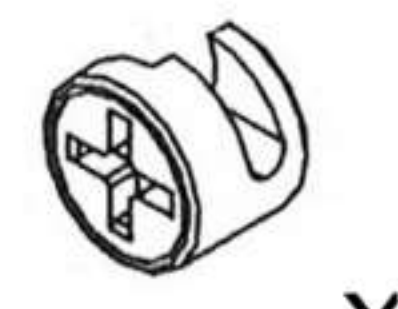
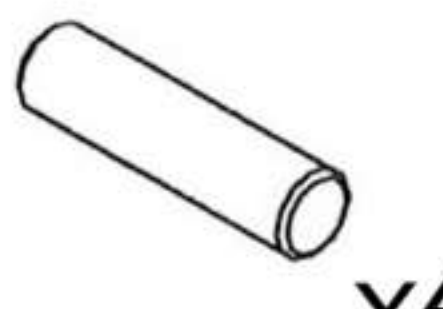
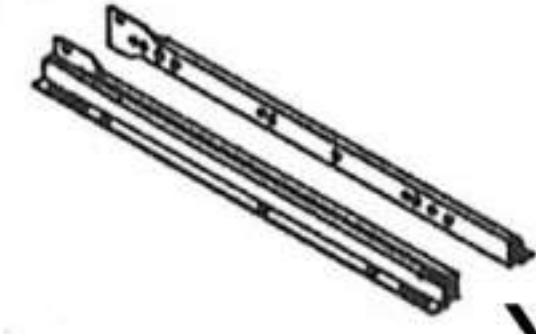





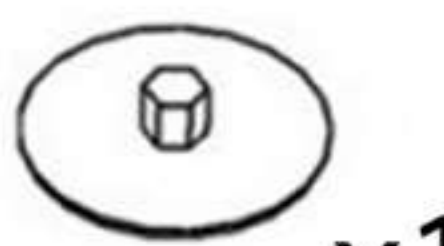
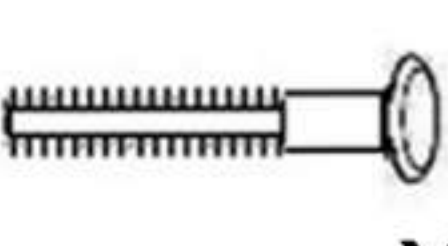
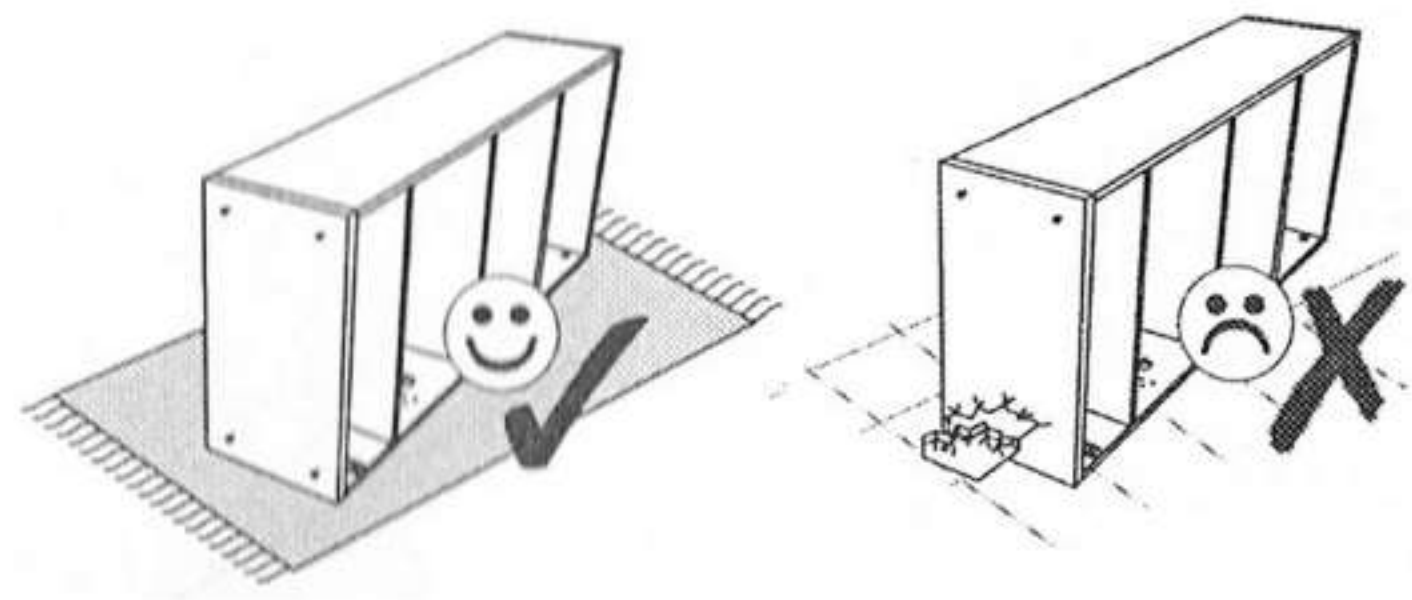



# K6




- |  |   |   |   |   |  |
|--|---|---|---|---|--|
| A  | B   | C   | D   | E   | F  |
|  x34 |  x34 |  x42 |  x6  |  x24 |  x1 |
| G  | H   | I   | J   | K   |  |
|  x24  |  x4  |  x80 |  x12 |  x20 |  |



### 1

D  x6

E  x24

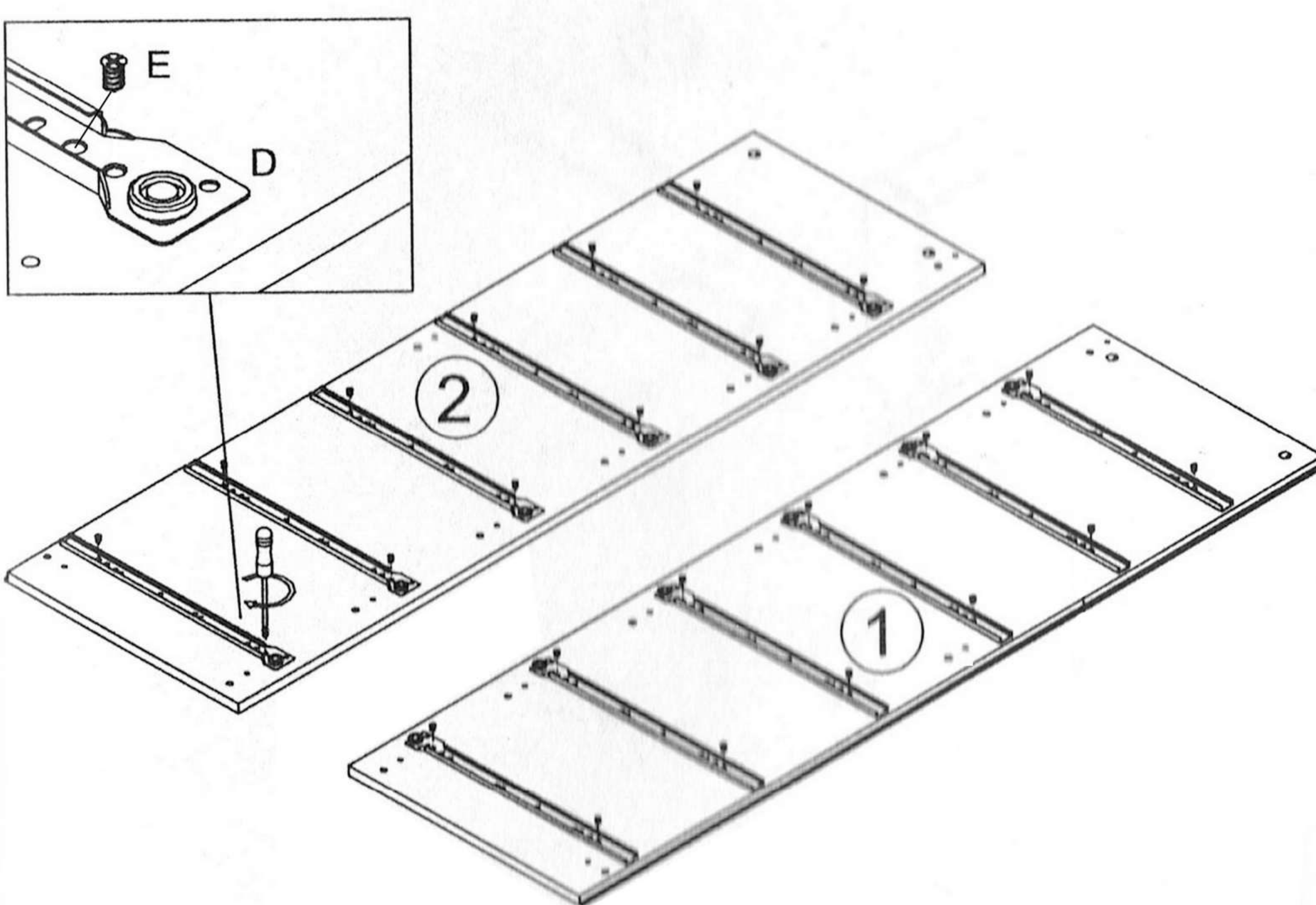




Diagram illustrating the first step of assembly. It shows two panels, labeled 1 and 2, being prepared. Brackets (D) and screws (E) are being installed into the panels. An inset shows a close-up of a bracket (D) being secured with a screw (E).

### 2

A  x18

C  x4

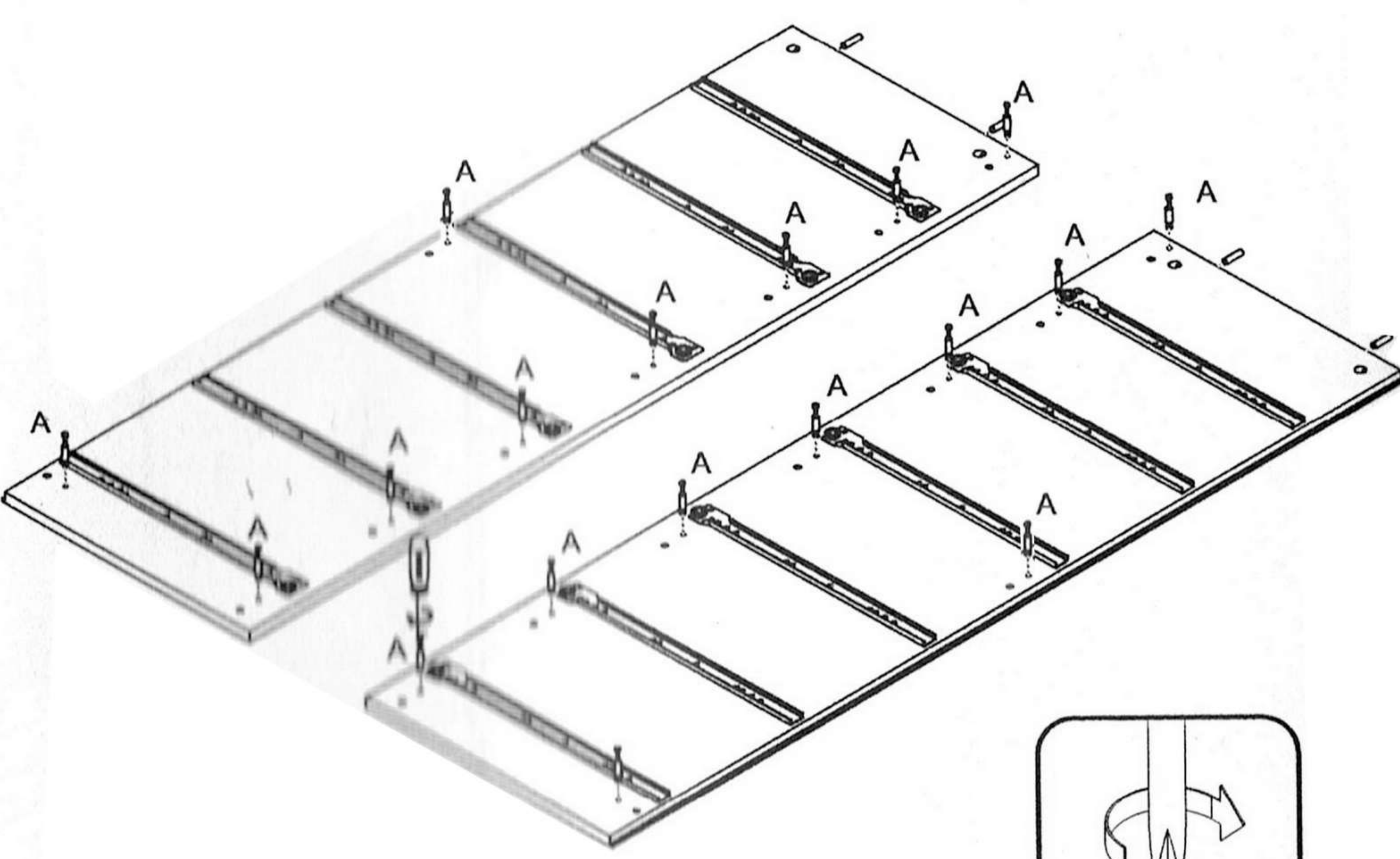
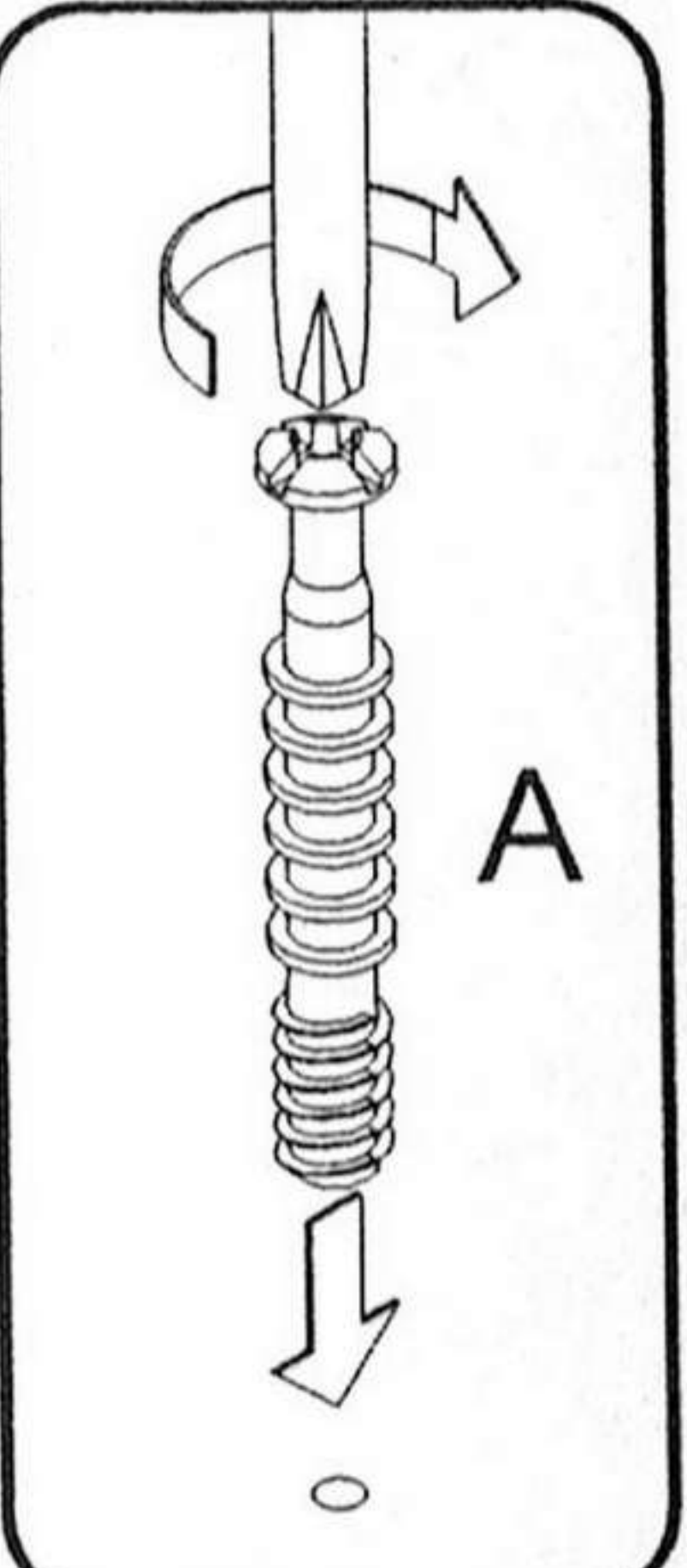
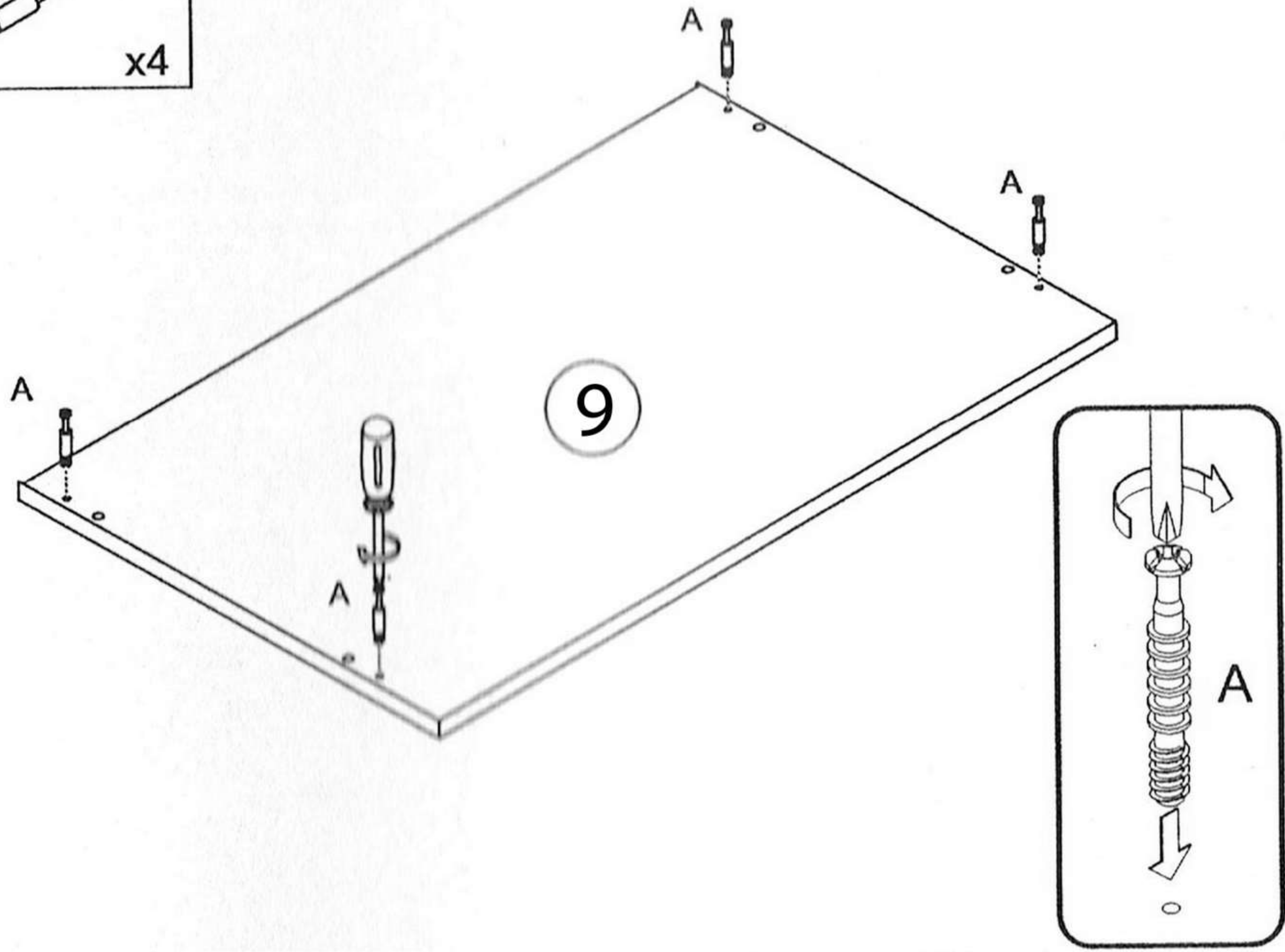
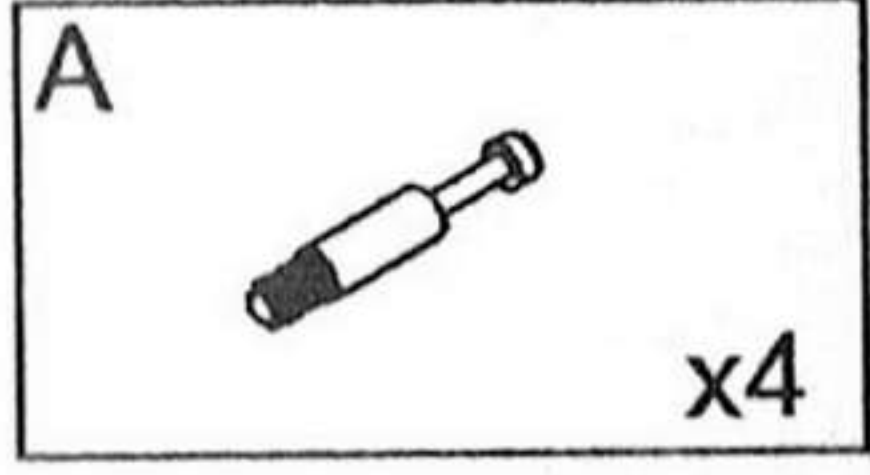
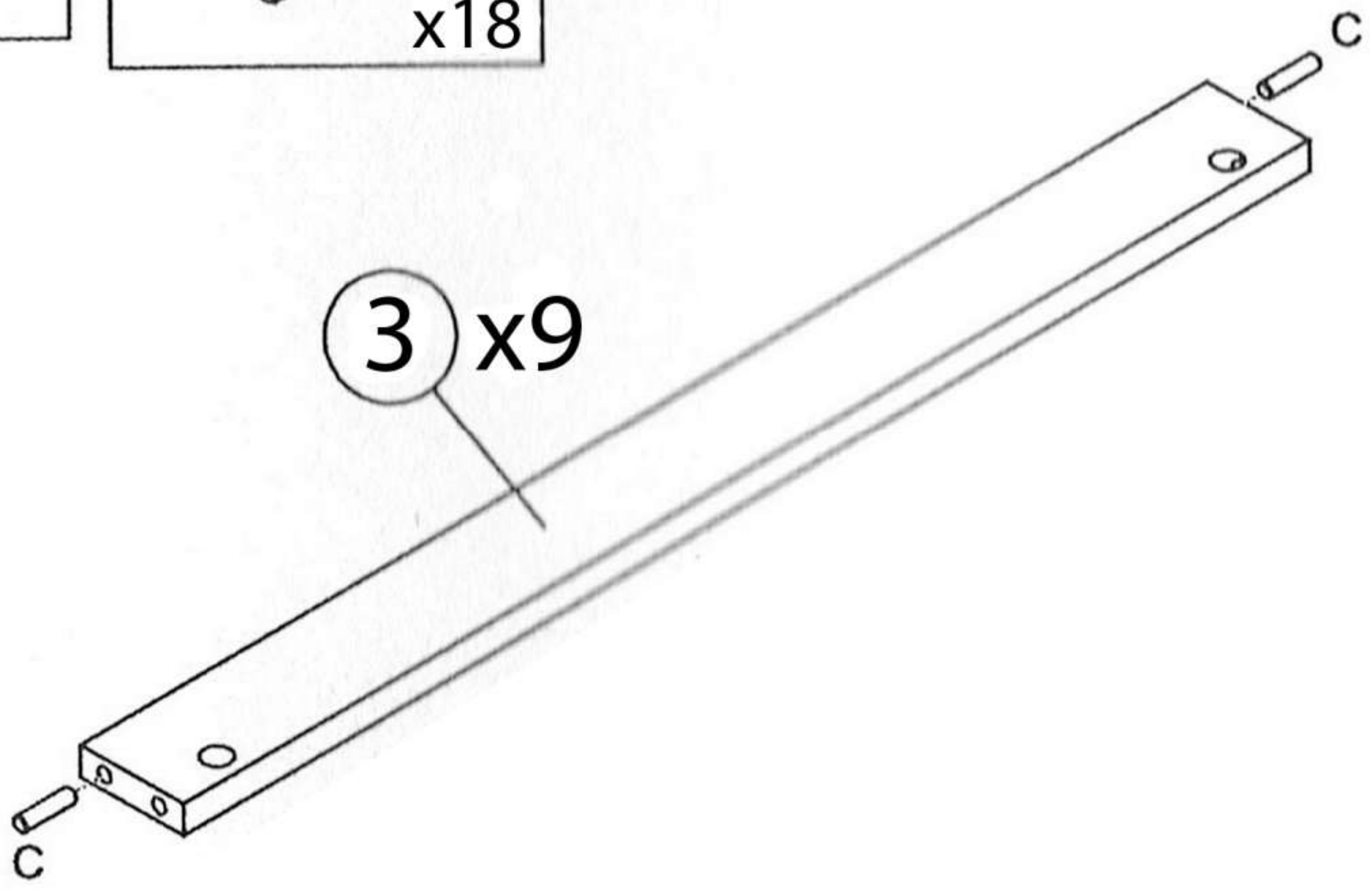
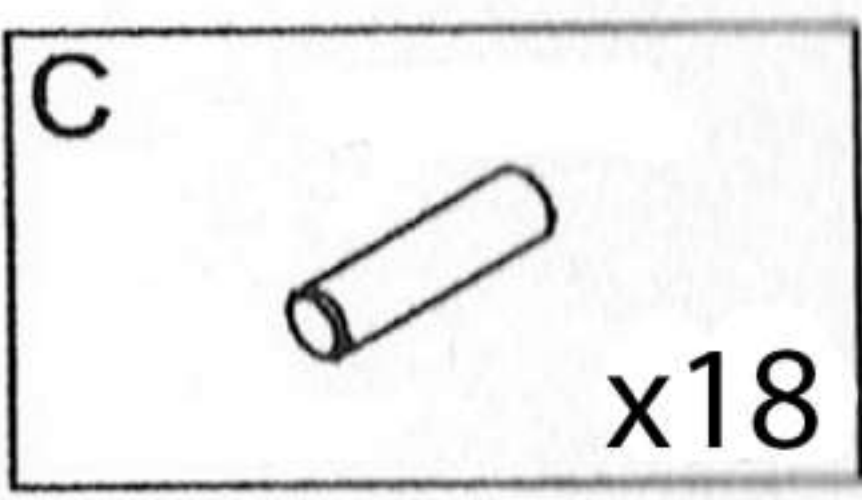
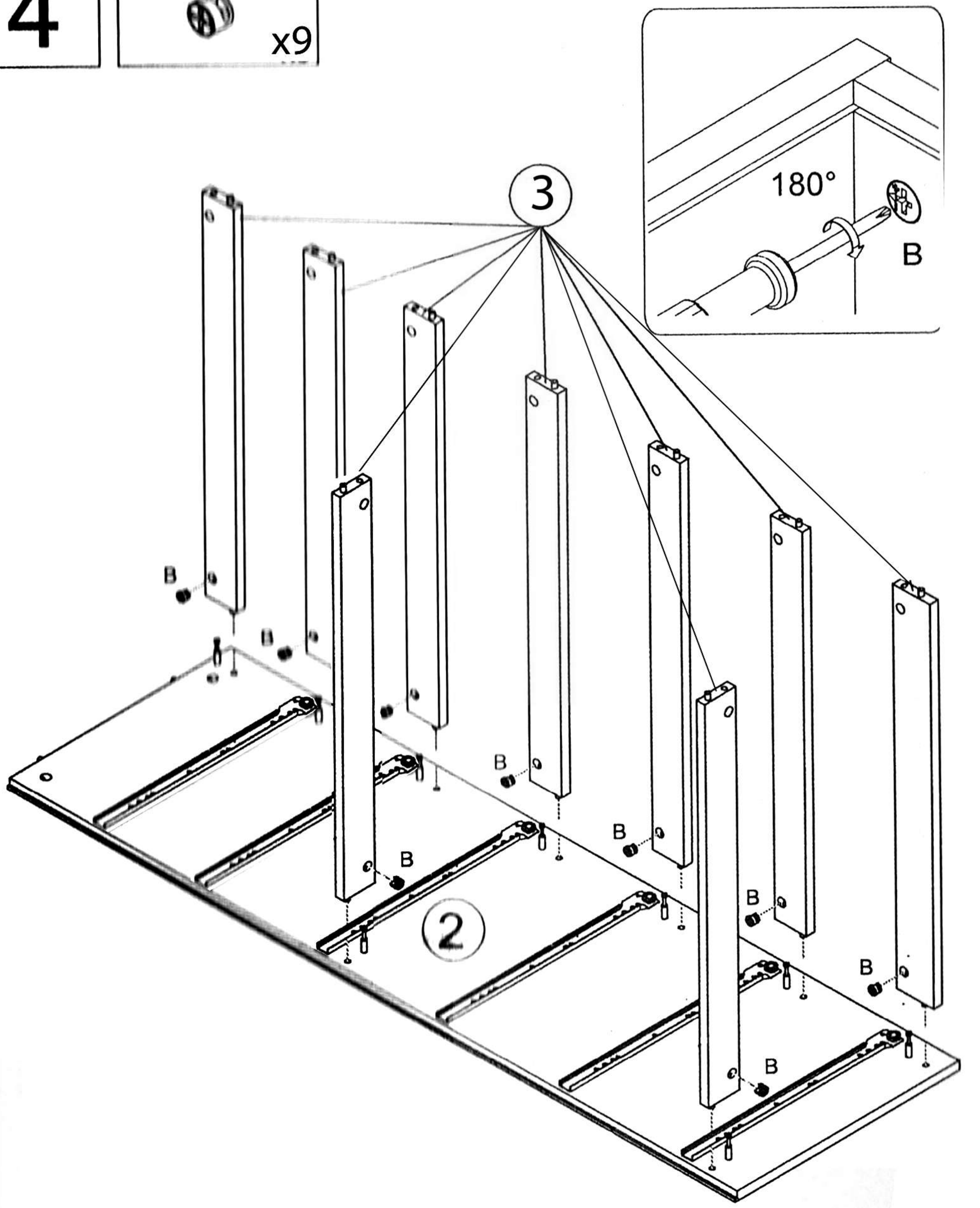



Diagram illustrating the second step of assembly. It shows the panels from step 1 being joined together. Screws (A) and pins (C) are being installed into the panels. A close-up diagram shows a screw (A) being inserted into a hole.

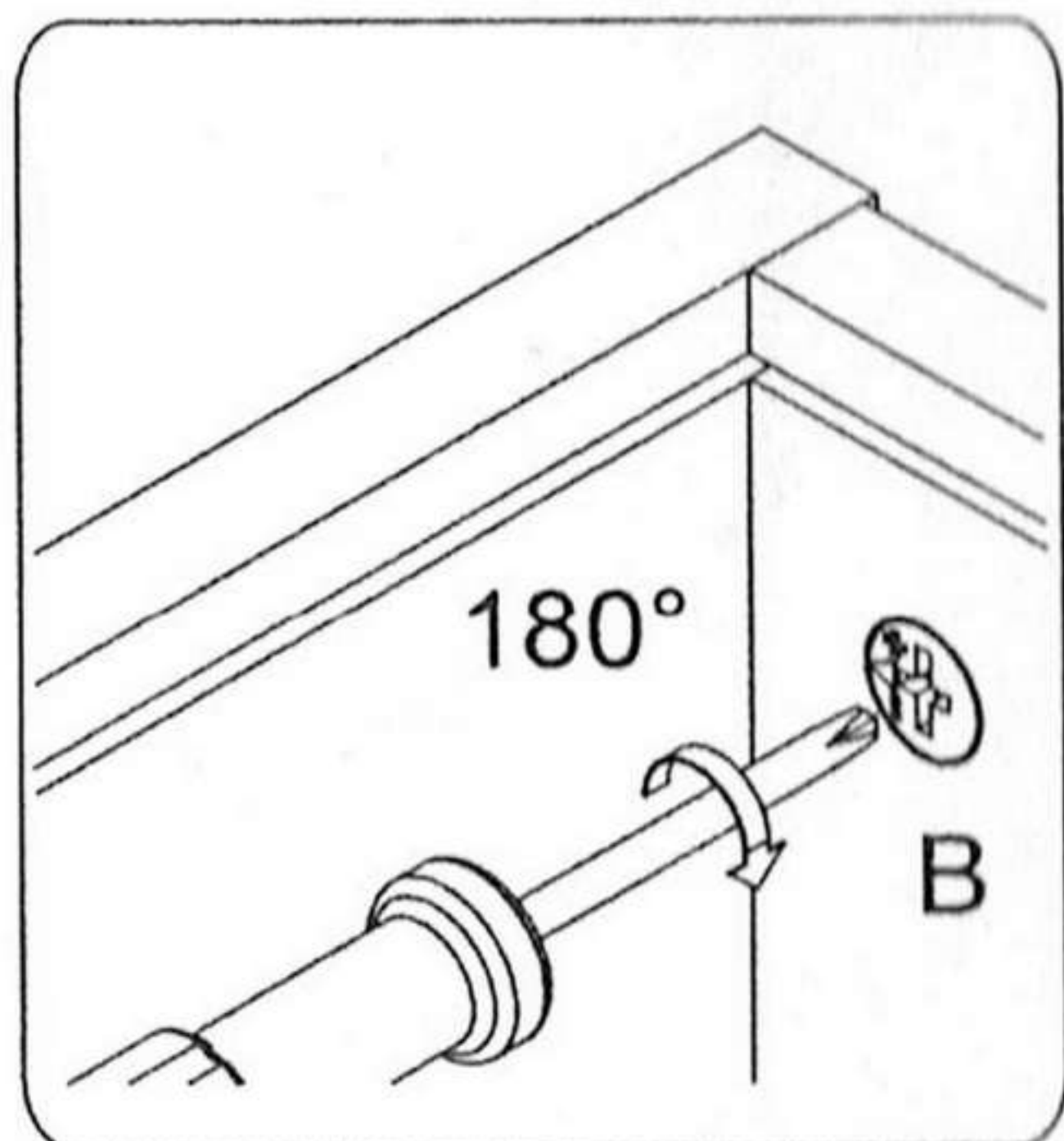
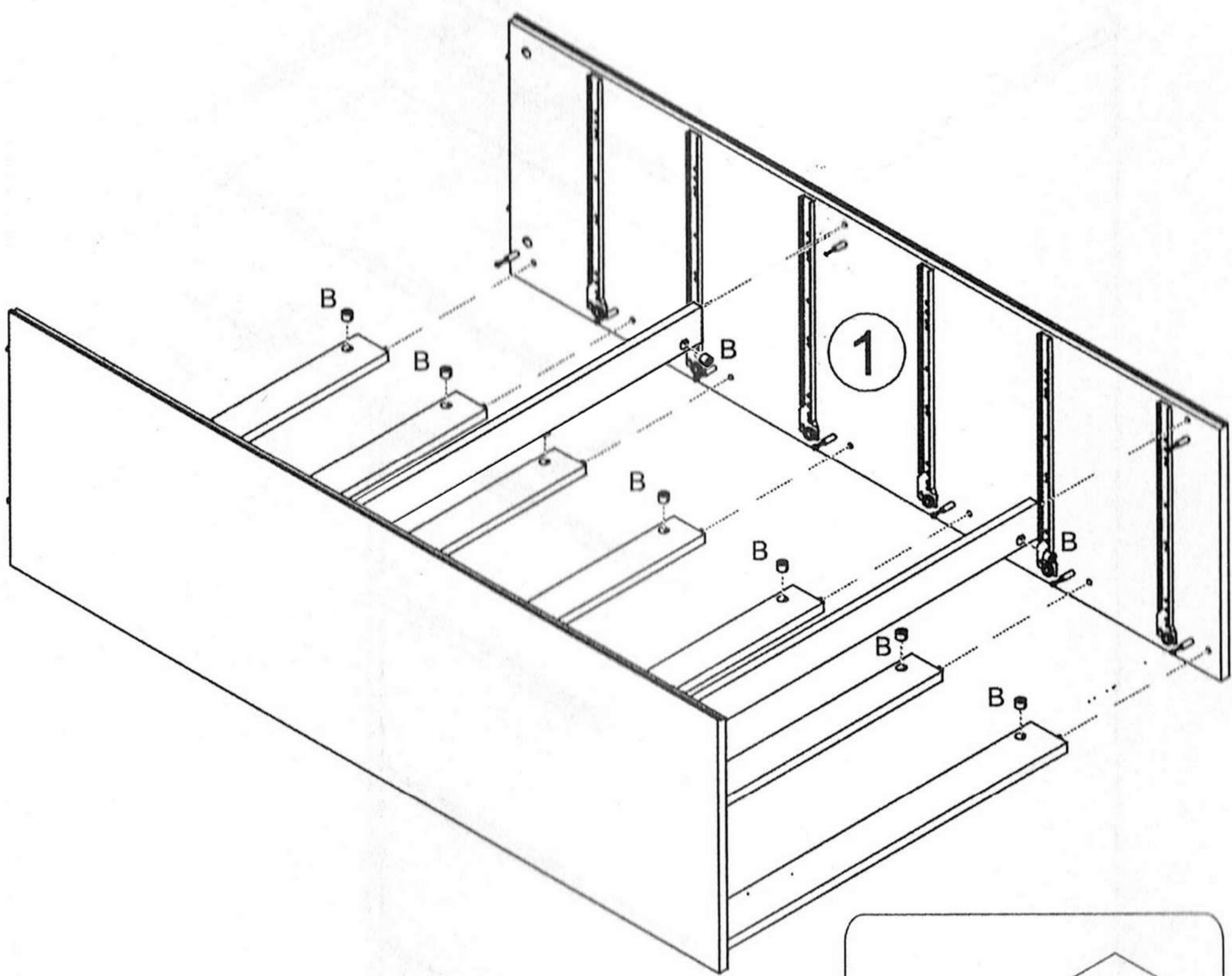
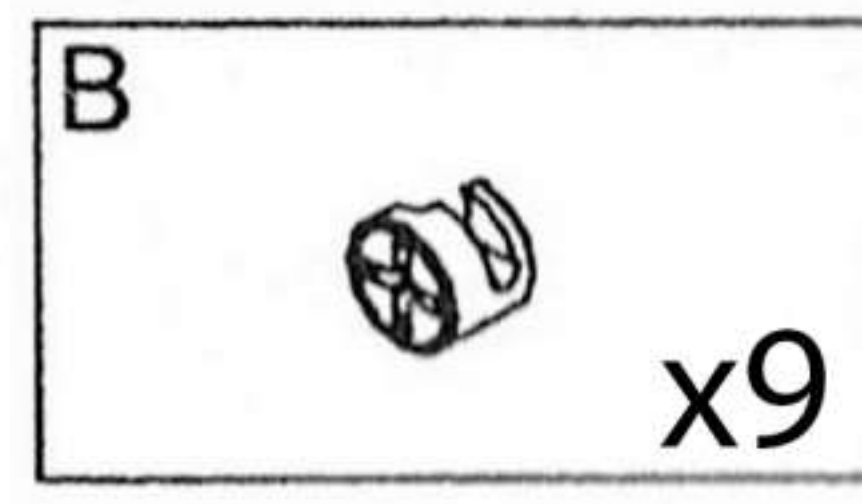
3



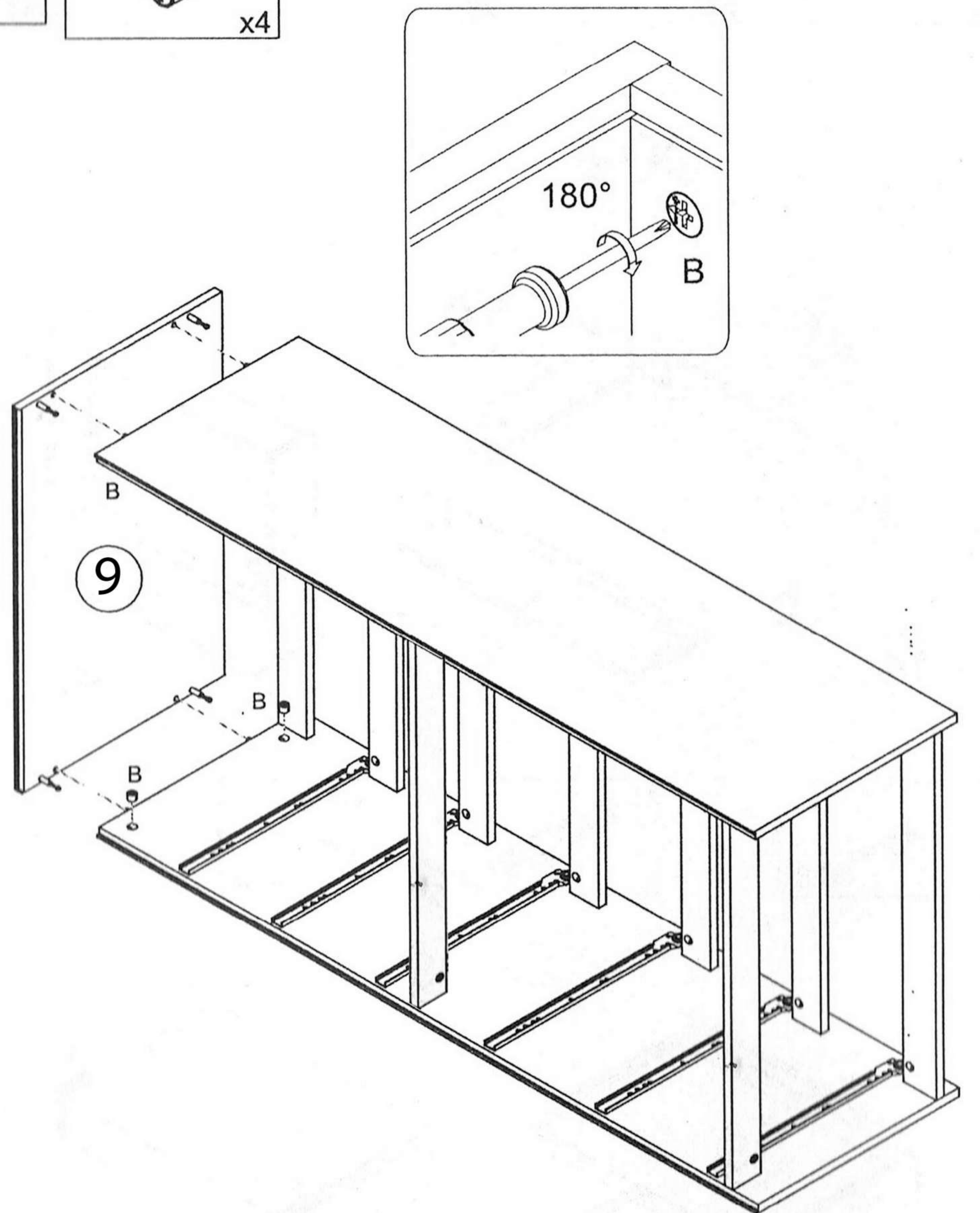
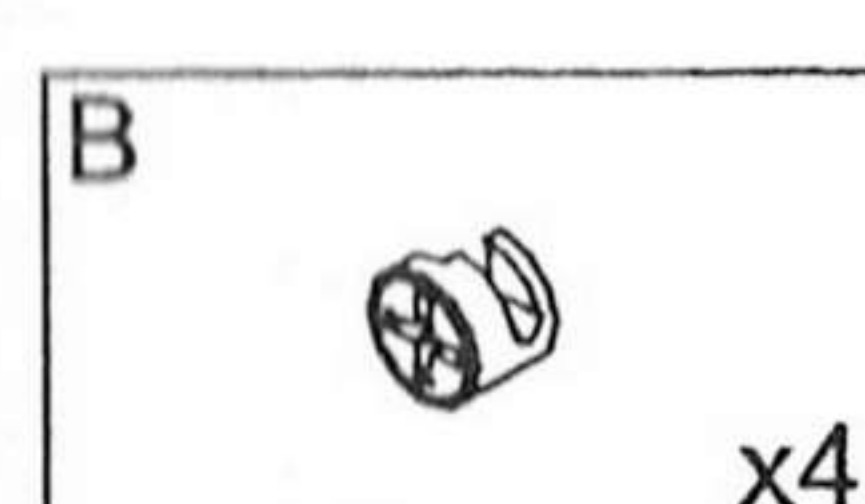
4



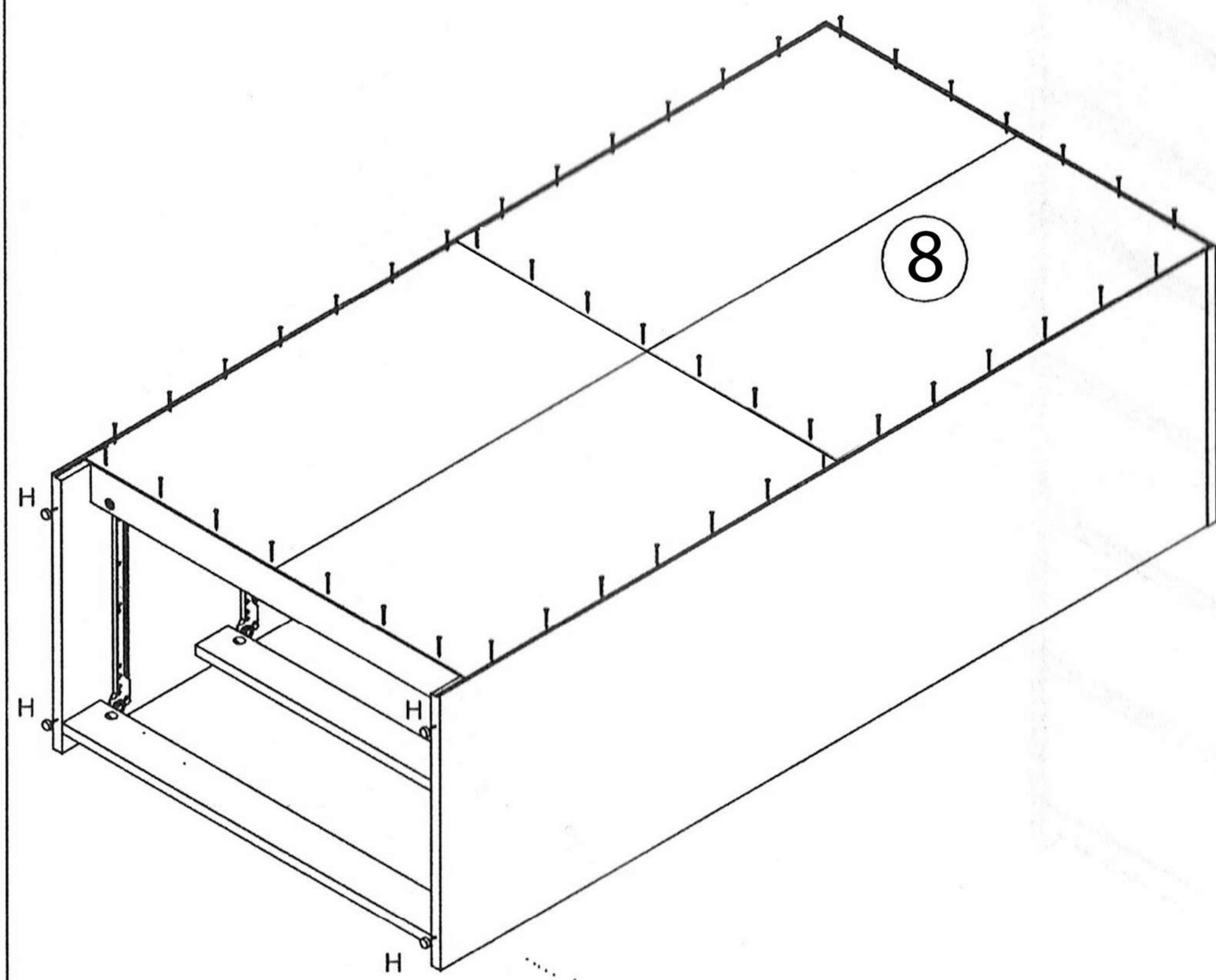
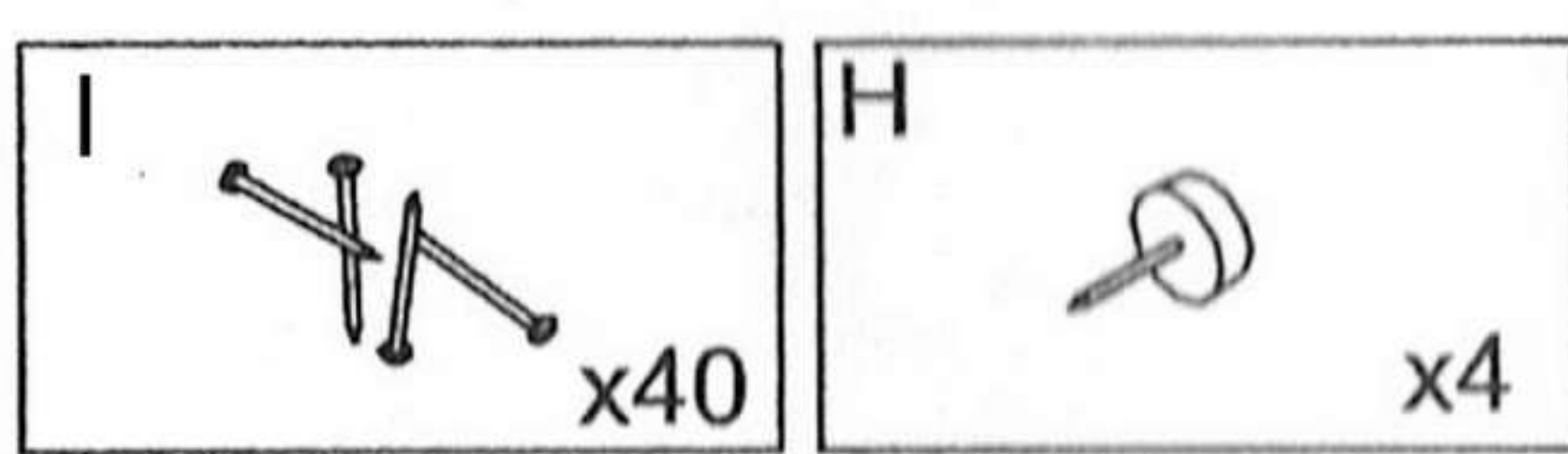
5



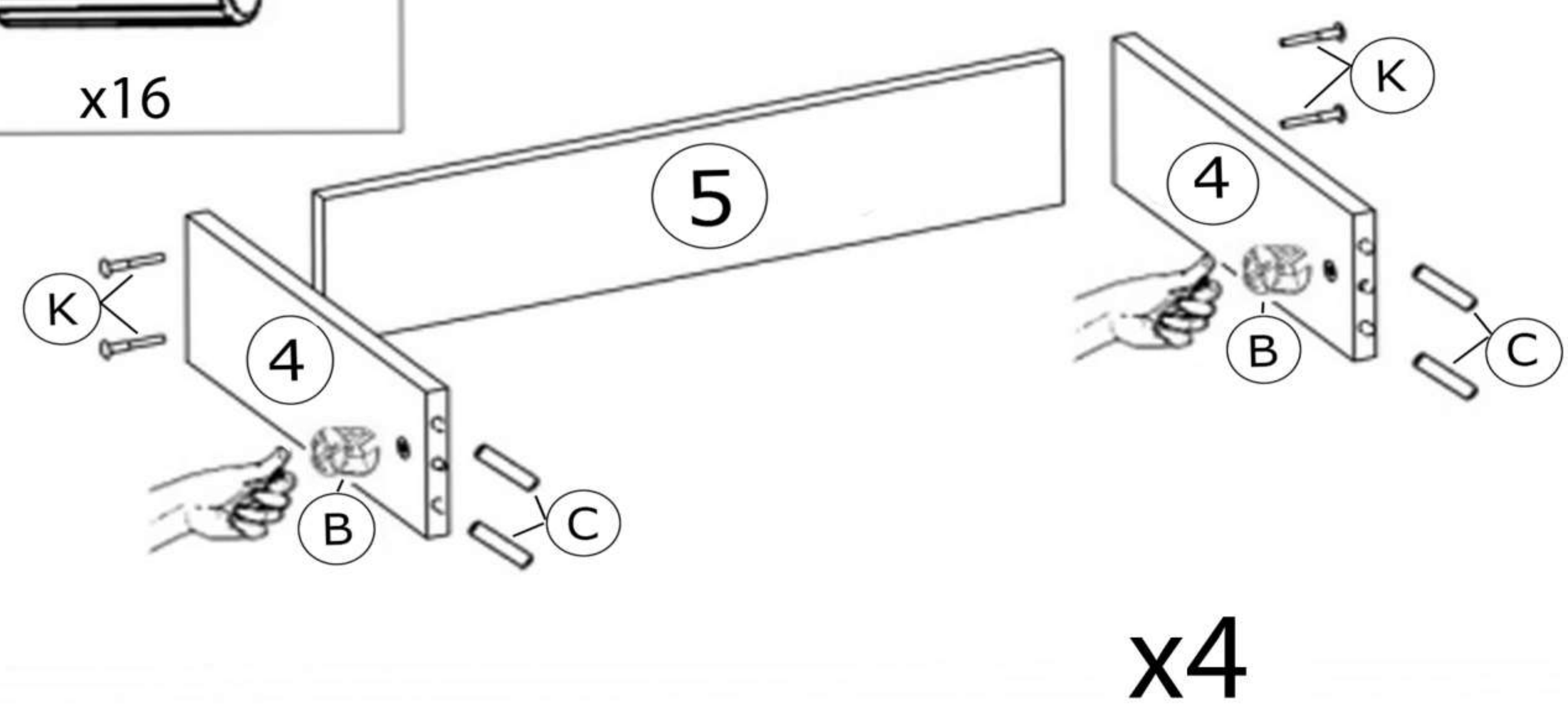
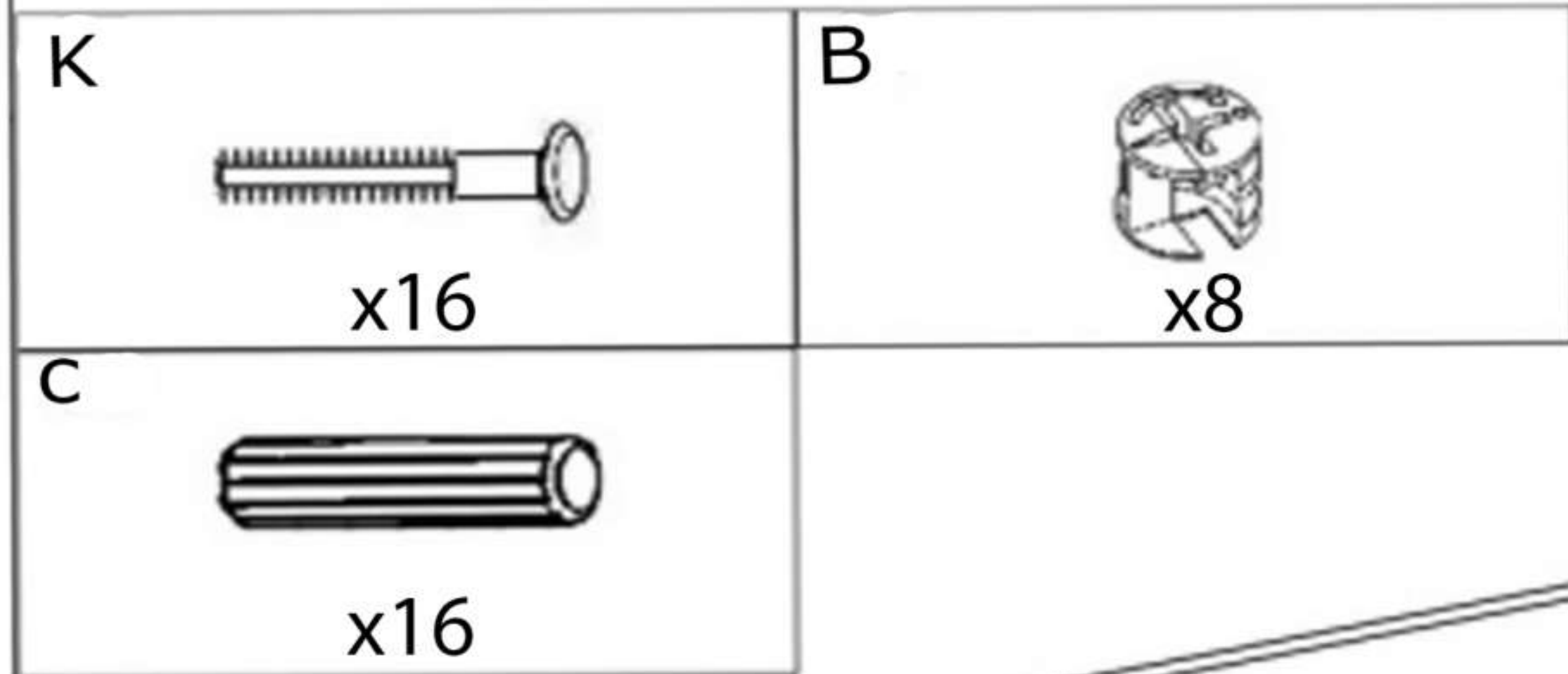
6



7

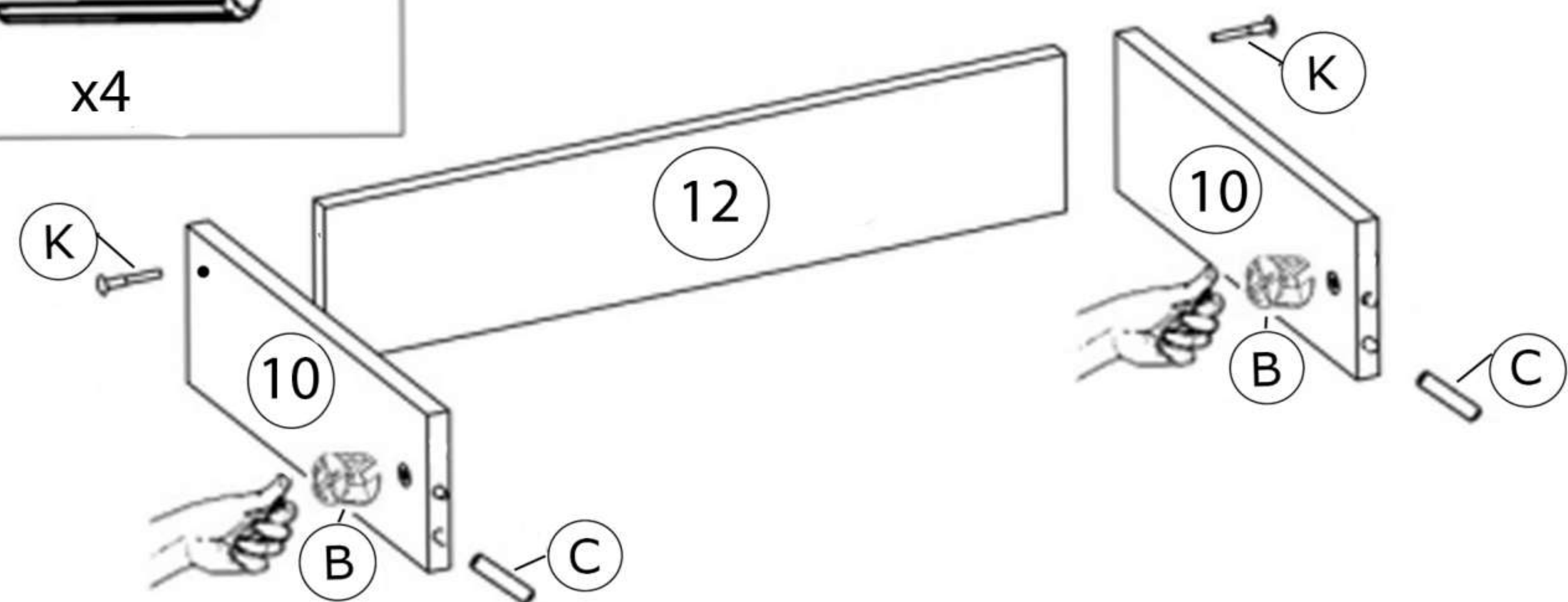
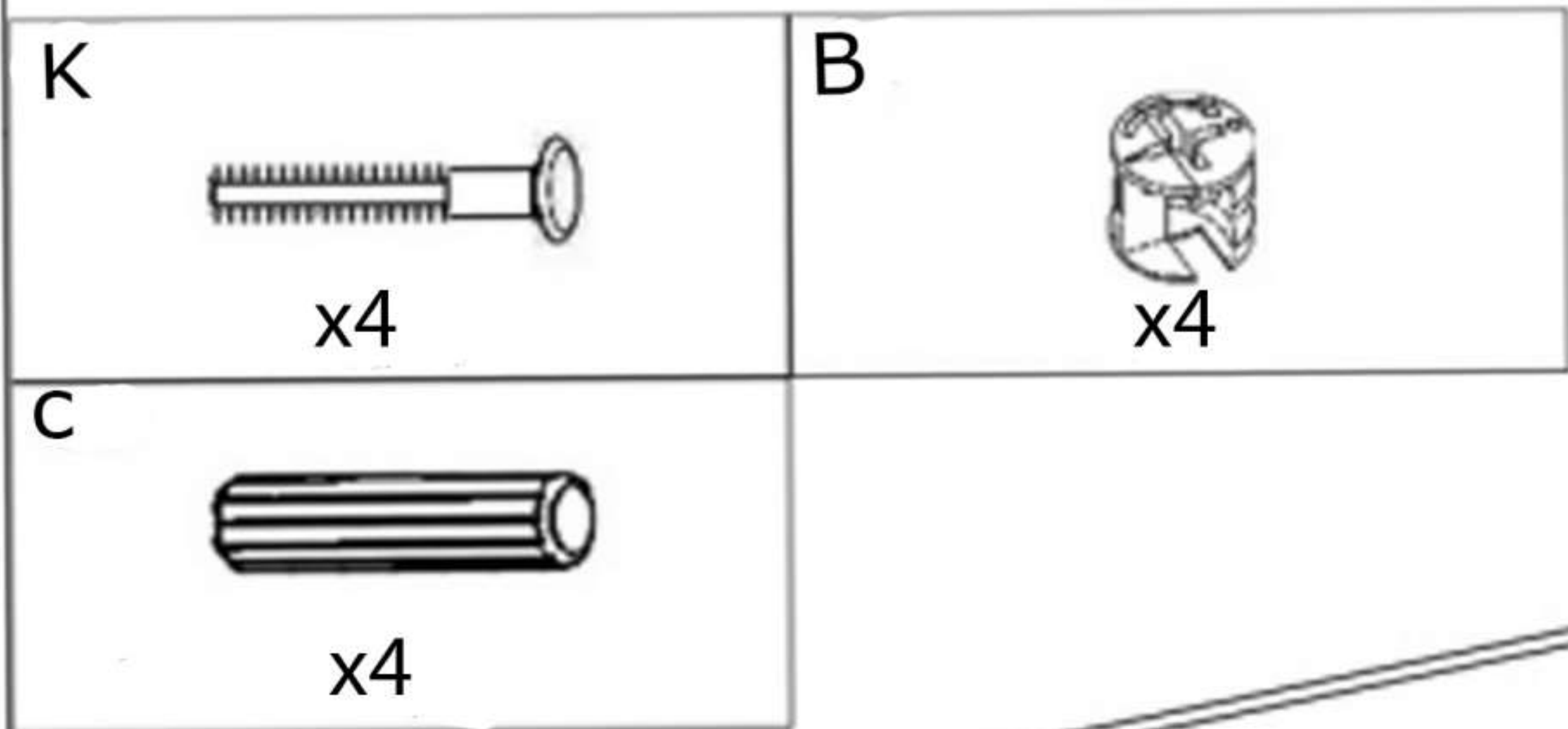


8

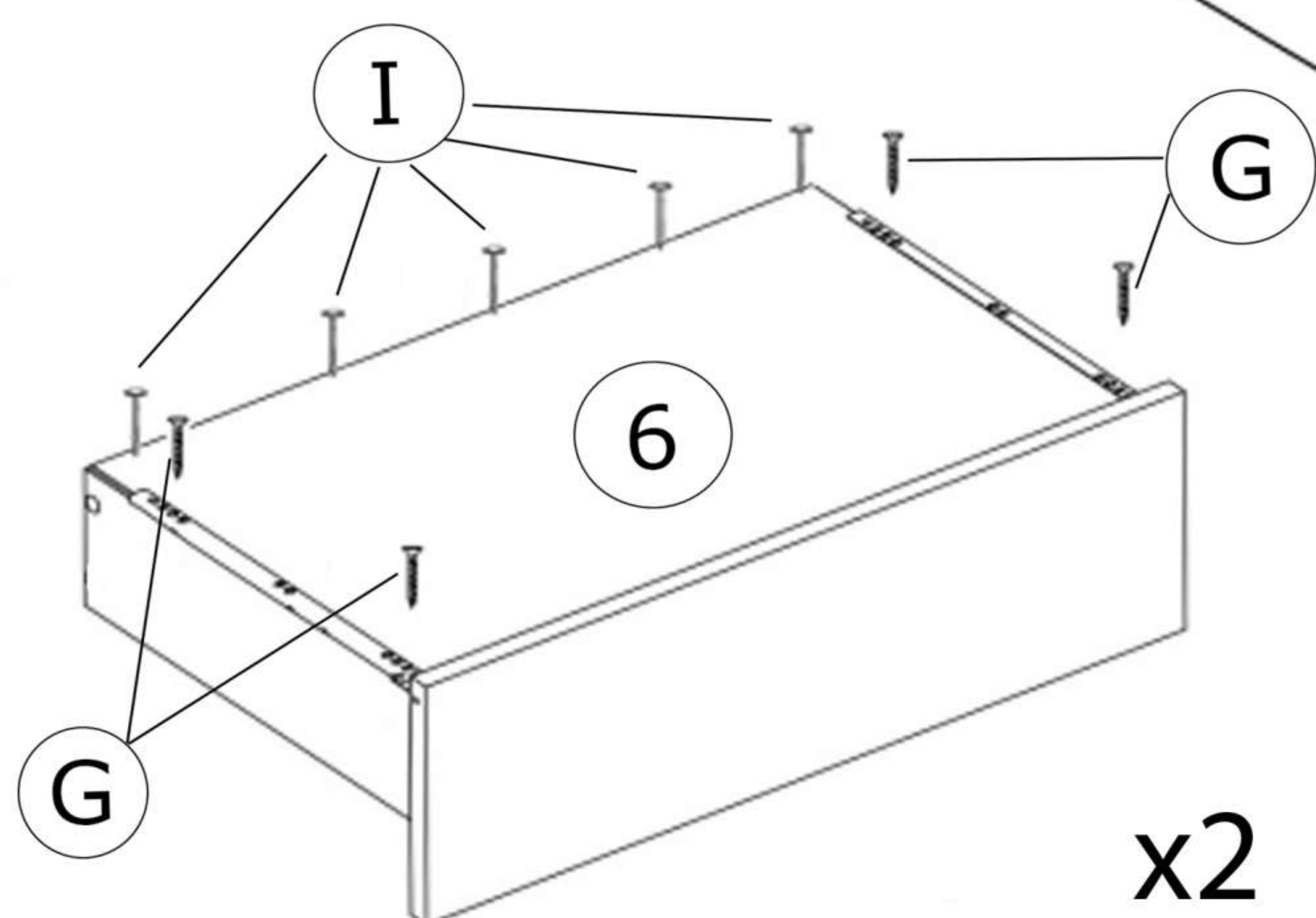
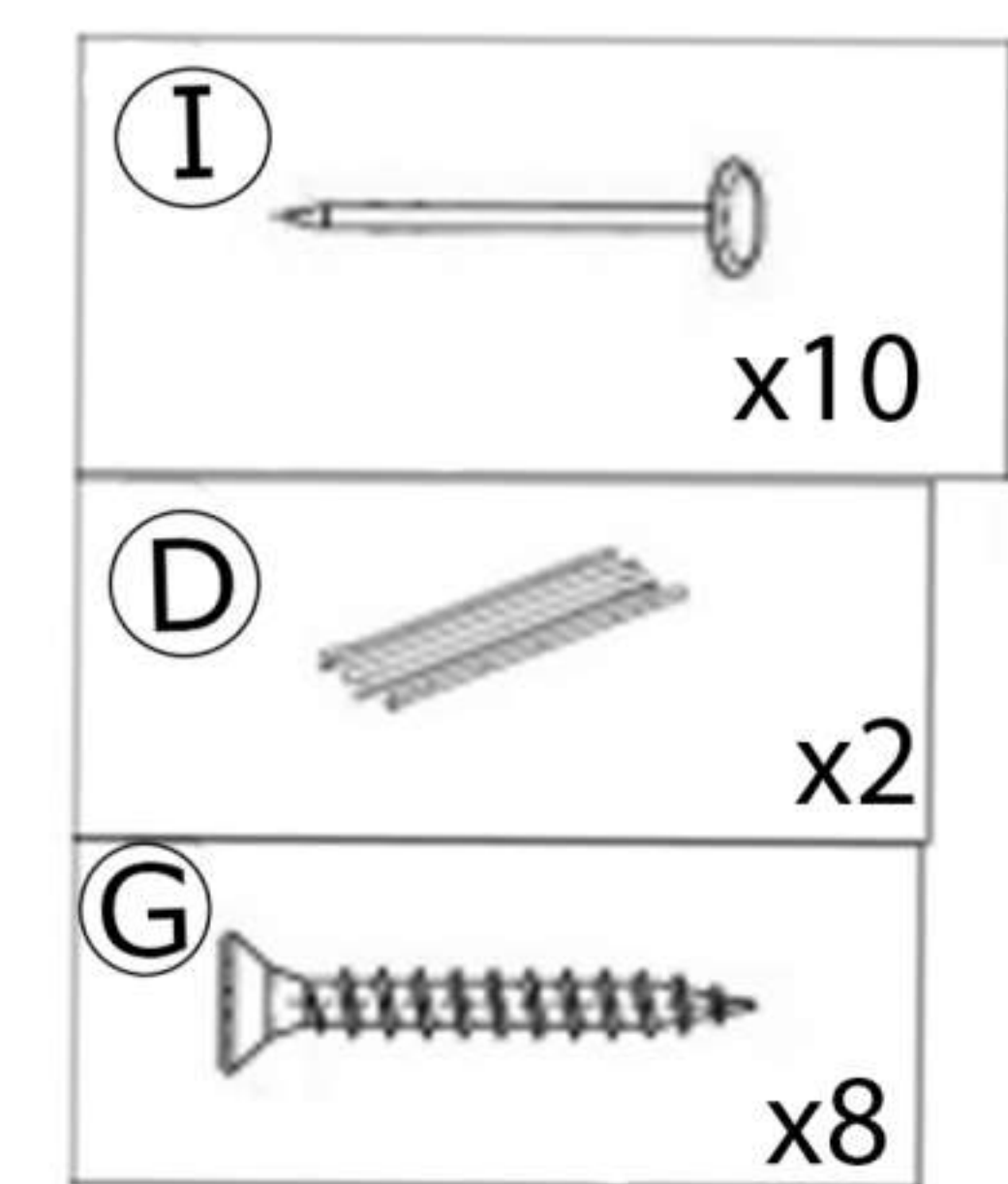
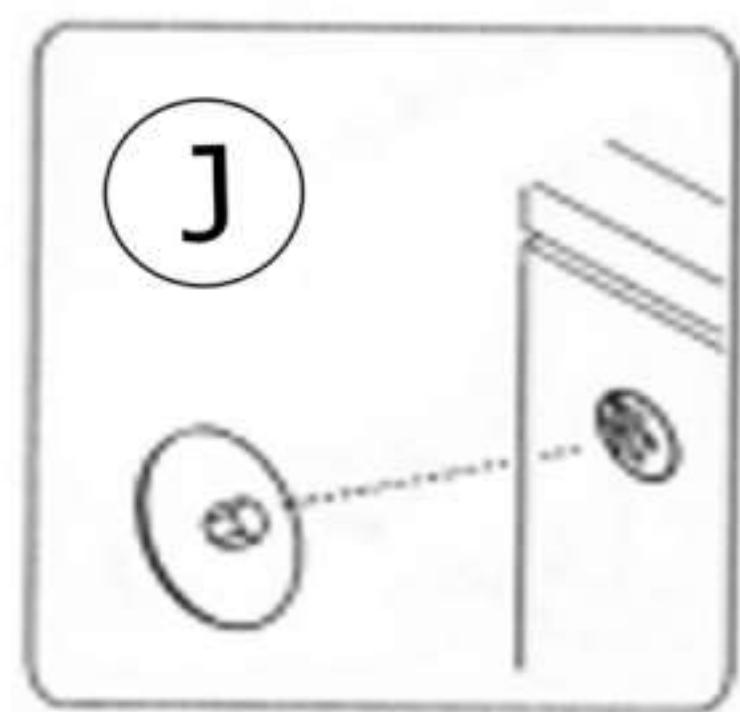
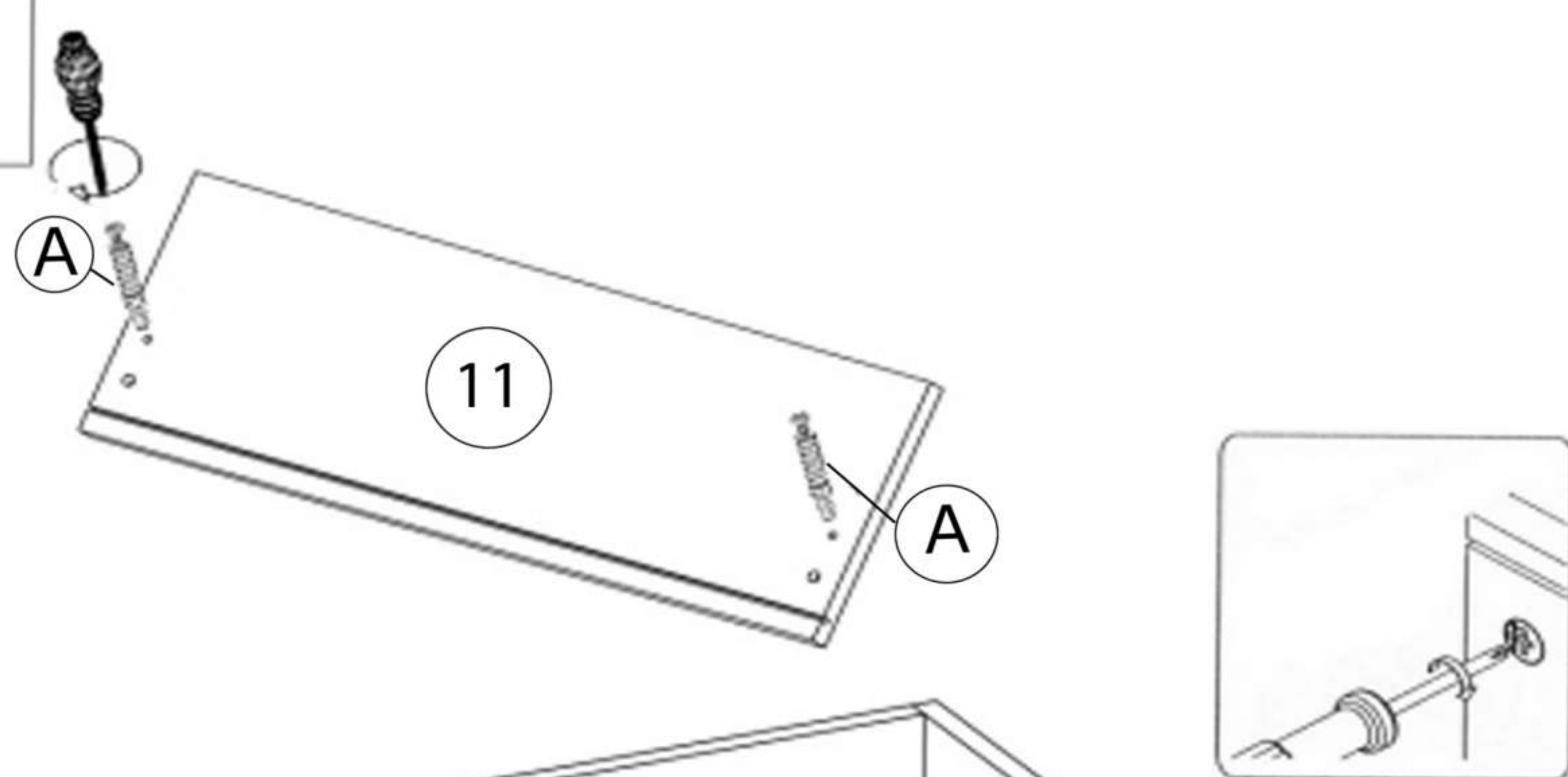
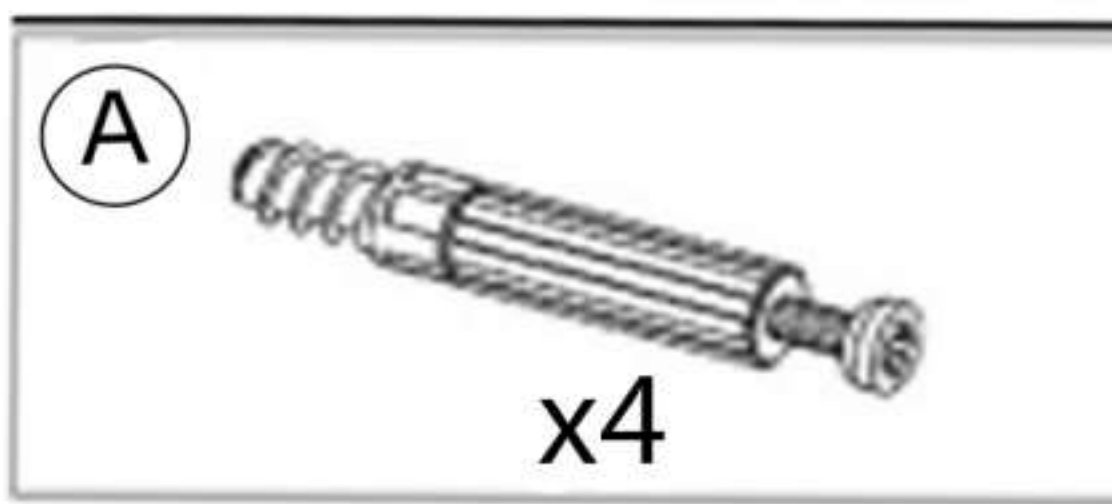


x4

9



x2



x2

