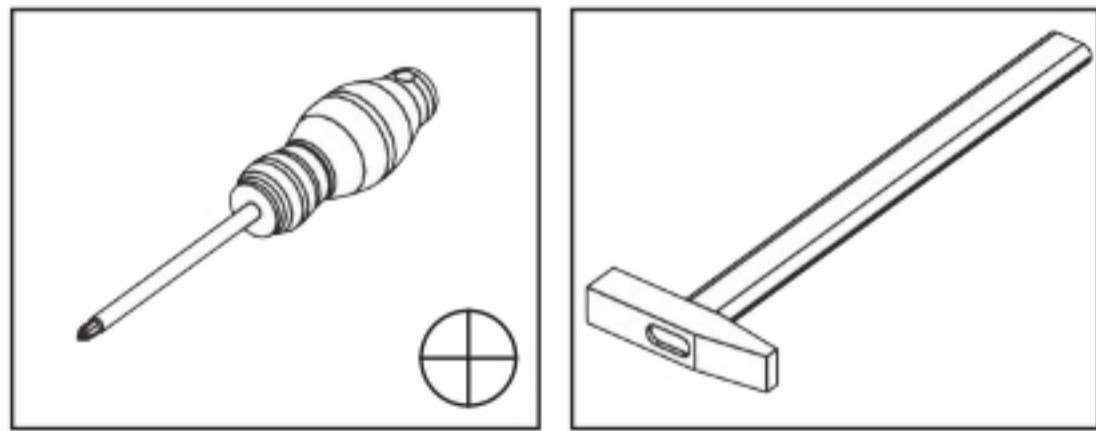
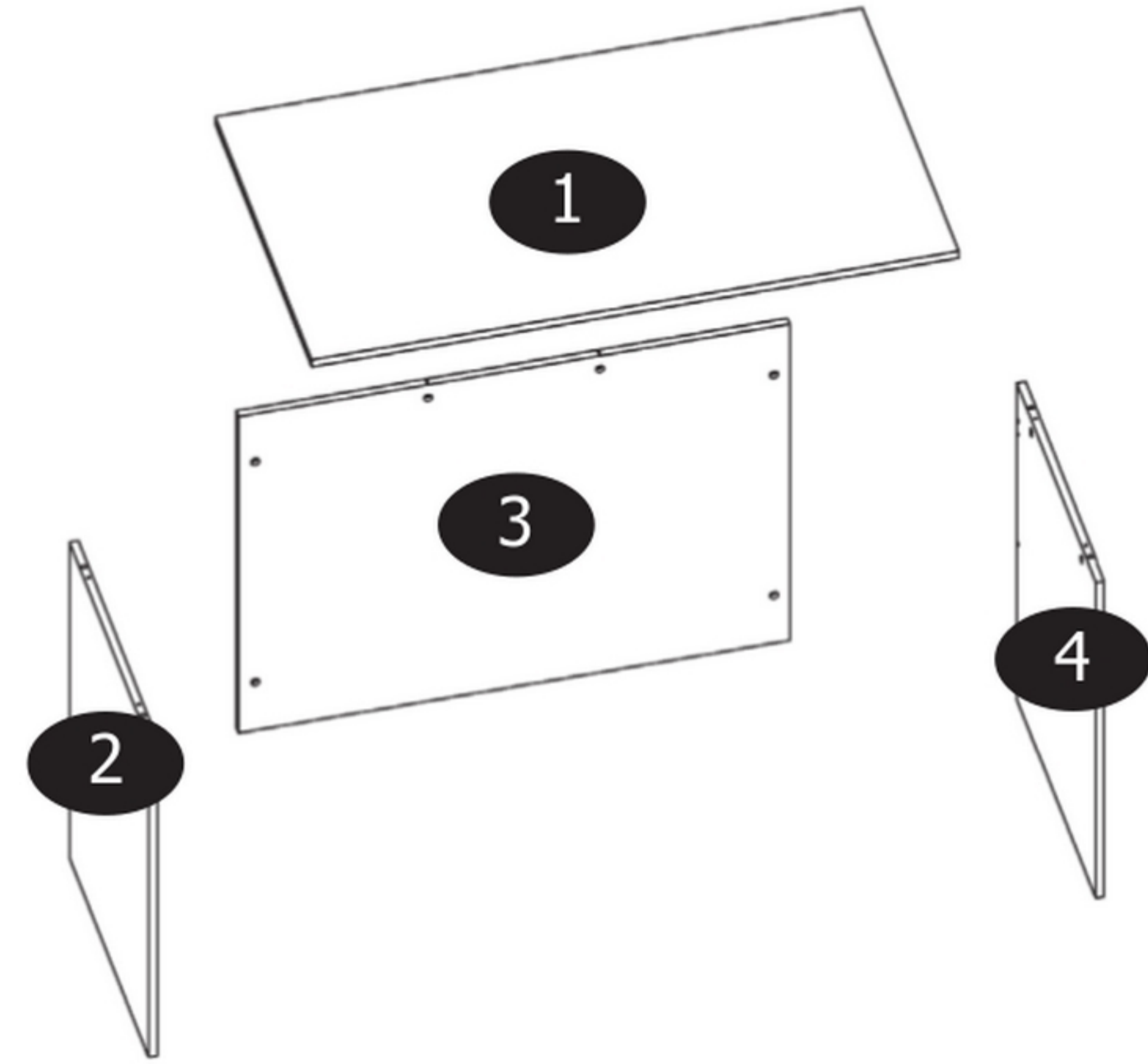
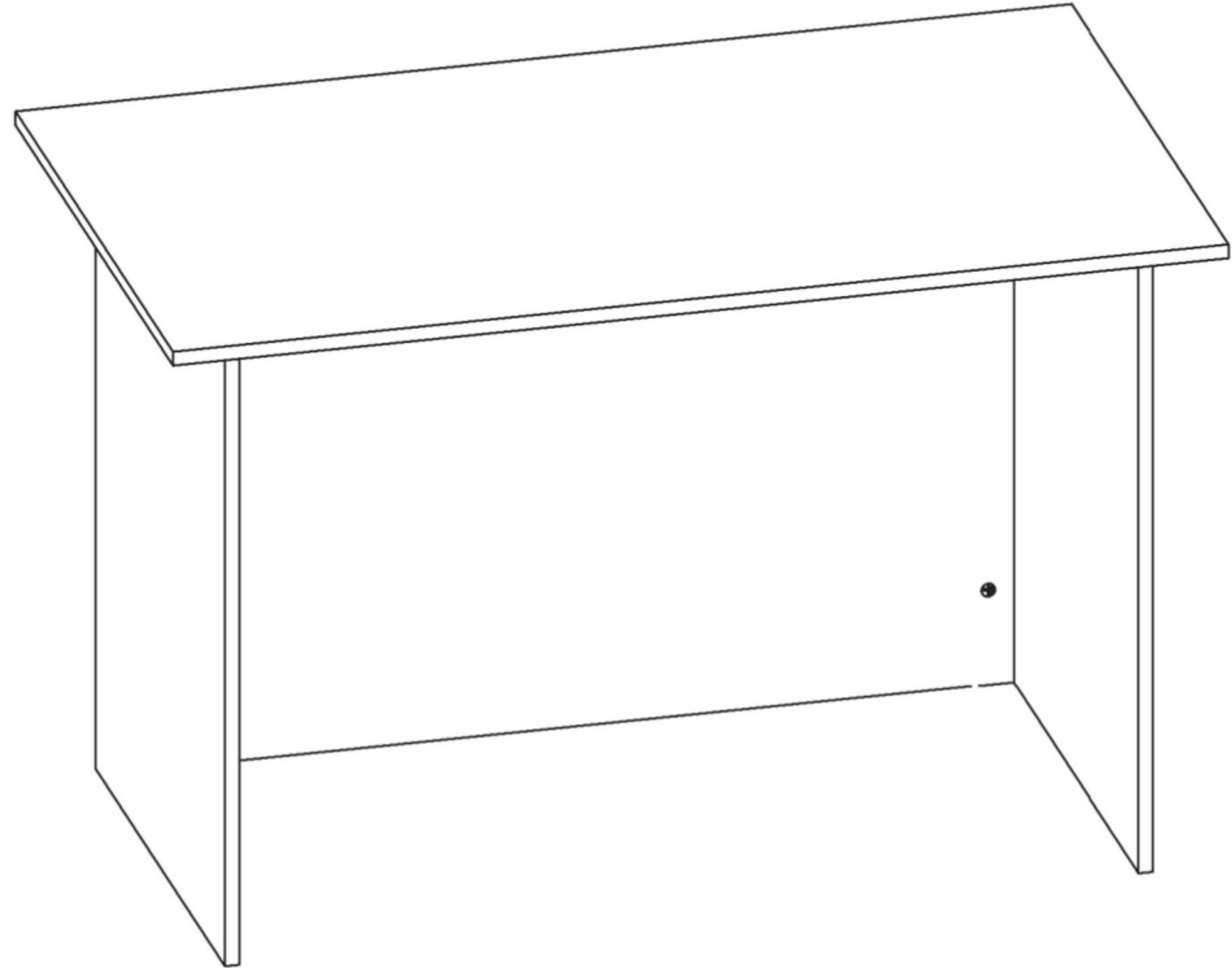
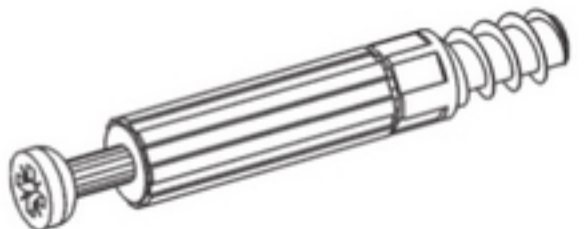



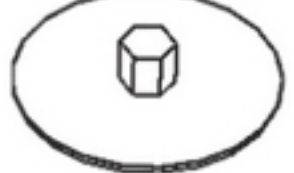


BS



 x 10	 x 10	 x 10
 x 6	 x 10	

- 1 x1
- 2 x1
- 3 x1
- 4 x1

