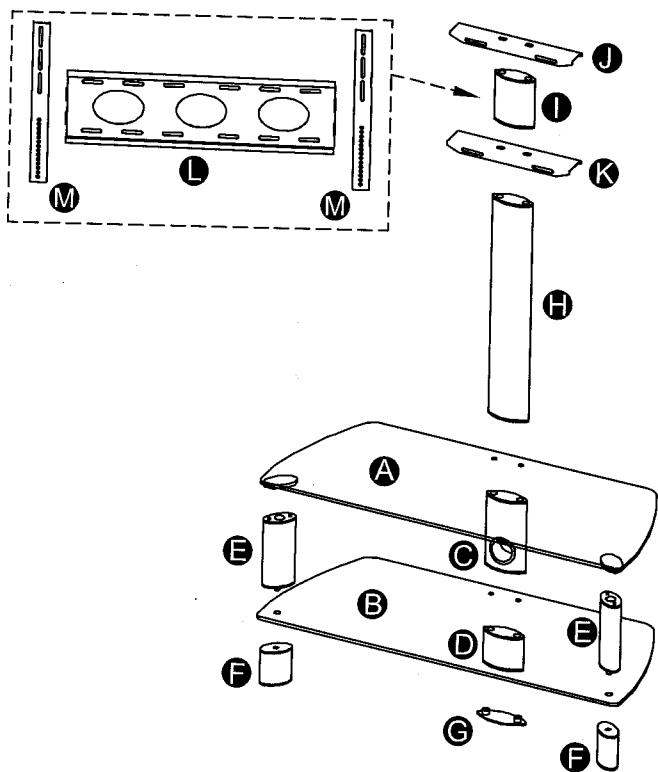


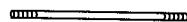
8007/8008 ASSEMBLY INSTRUCTIONS

1.

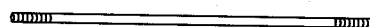


Fitting List

N : (2pcs)



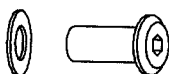
O : (2pcs)



G : (1pc)



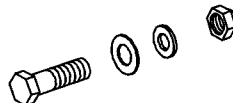
P : (2set)



Q : (2set)



R : (4set)



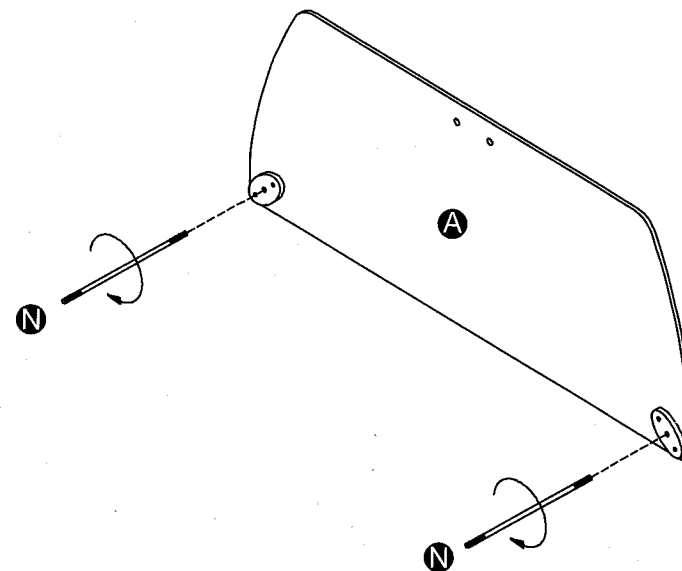
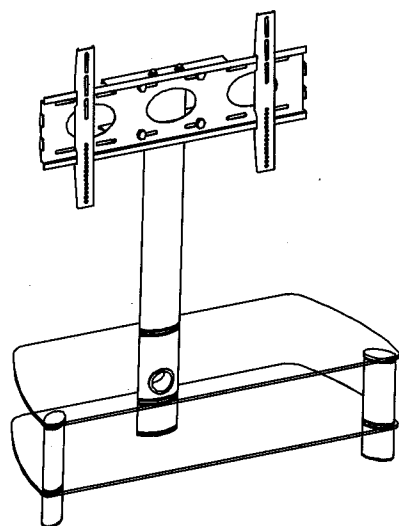
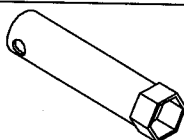
S : (1pc)



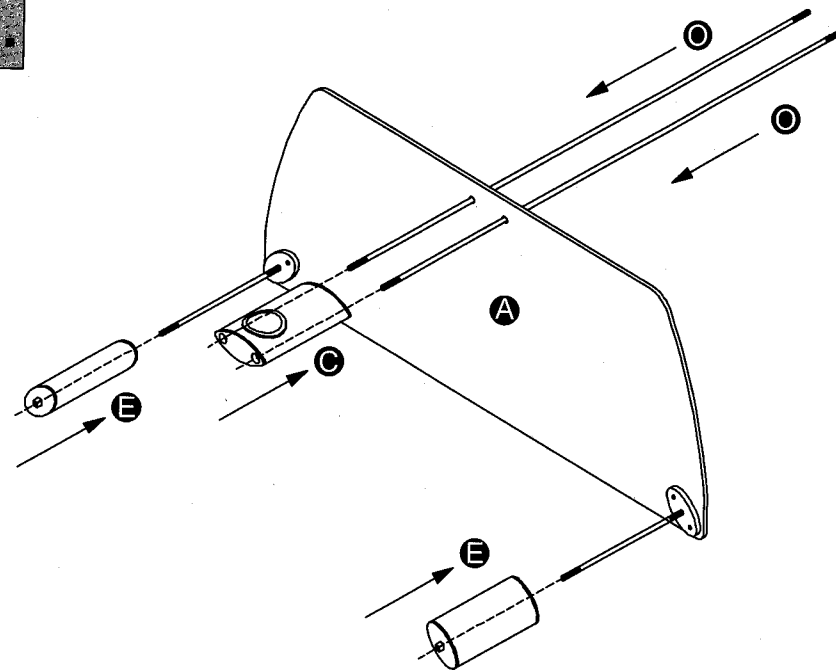
T : (1pc)



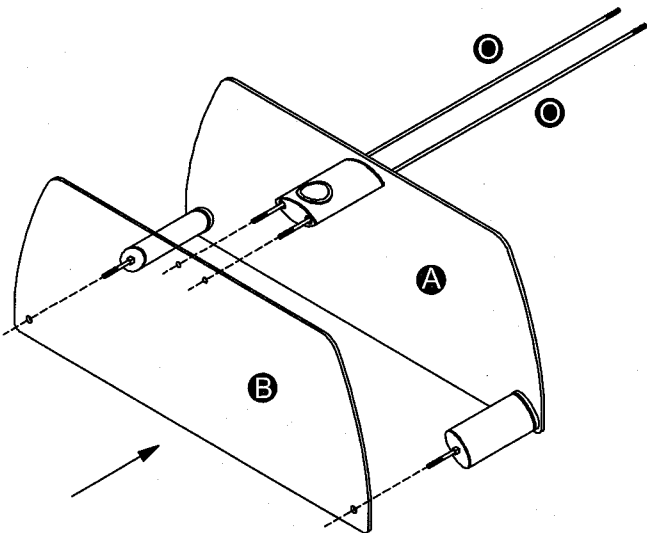
U : (1pc)



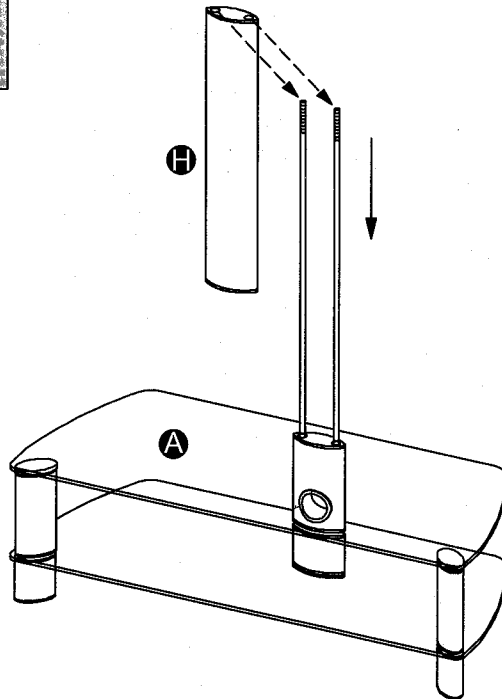
2.



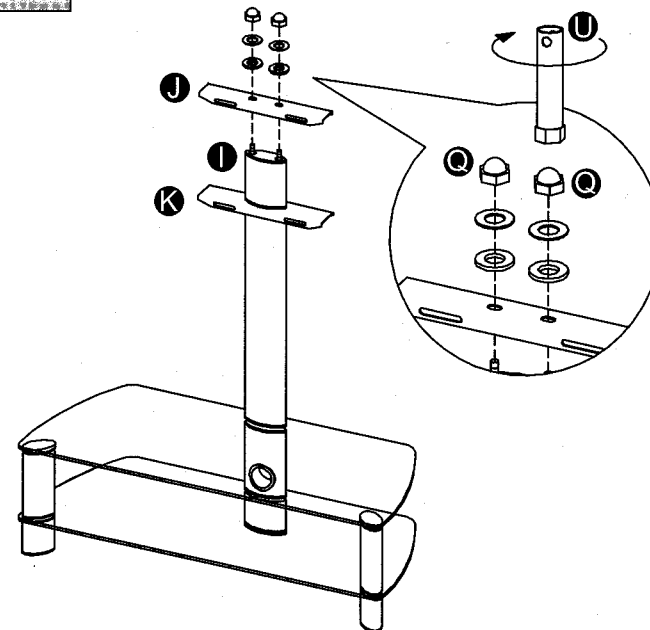
3.



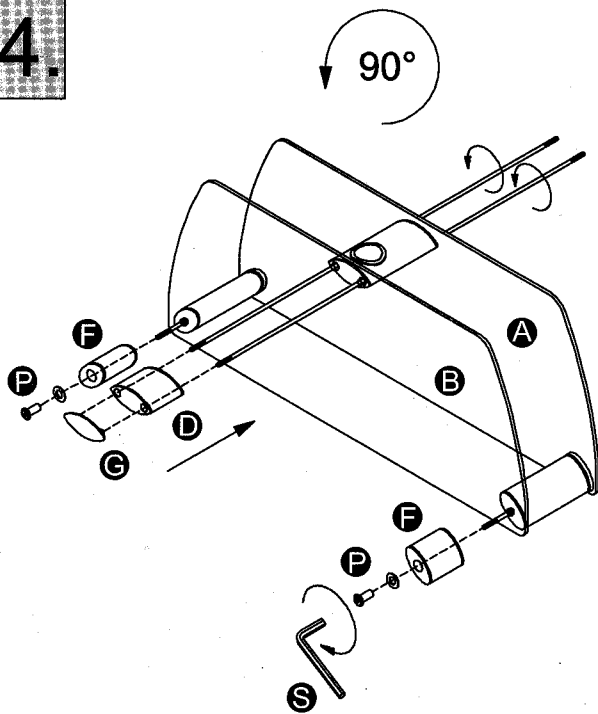
5.



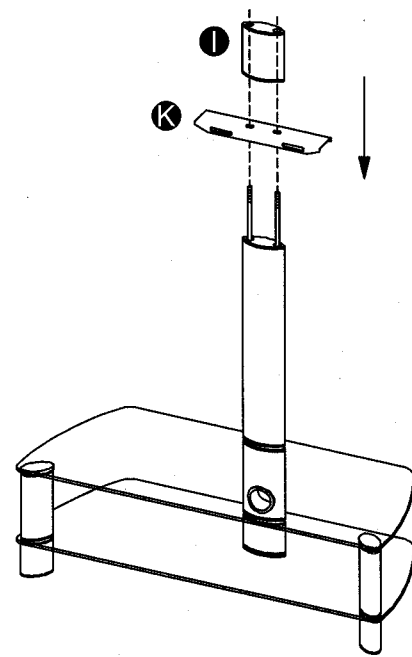
7.



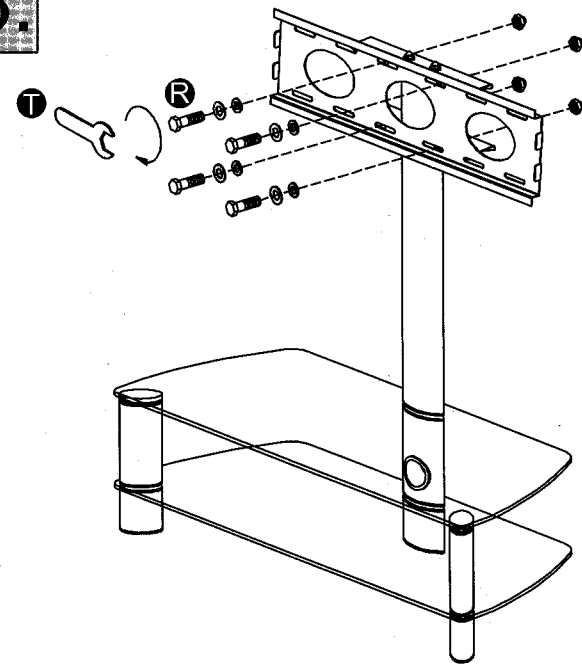
4.




6.

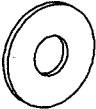


8.






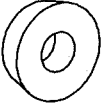
M5x30 Bolt (4pcs)




M6/M8 Washer (4pcs)



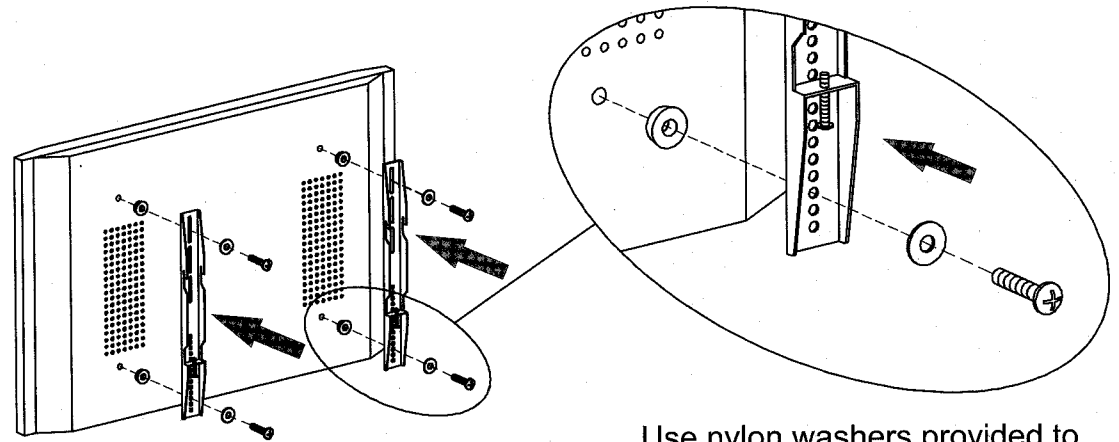
M6x40 Bolt (4pcs)



M6/M8 Spacer (12pcs)



M8x40 Bolt (4pcs)



Use nylon washers provided to determine the length of the screw

