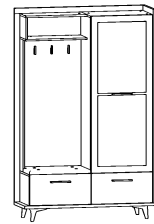




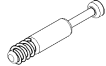
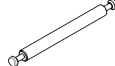

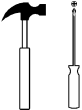




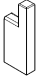

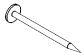





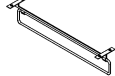
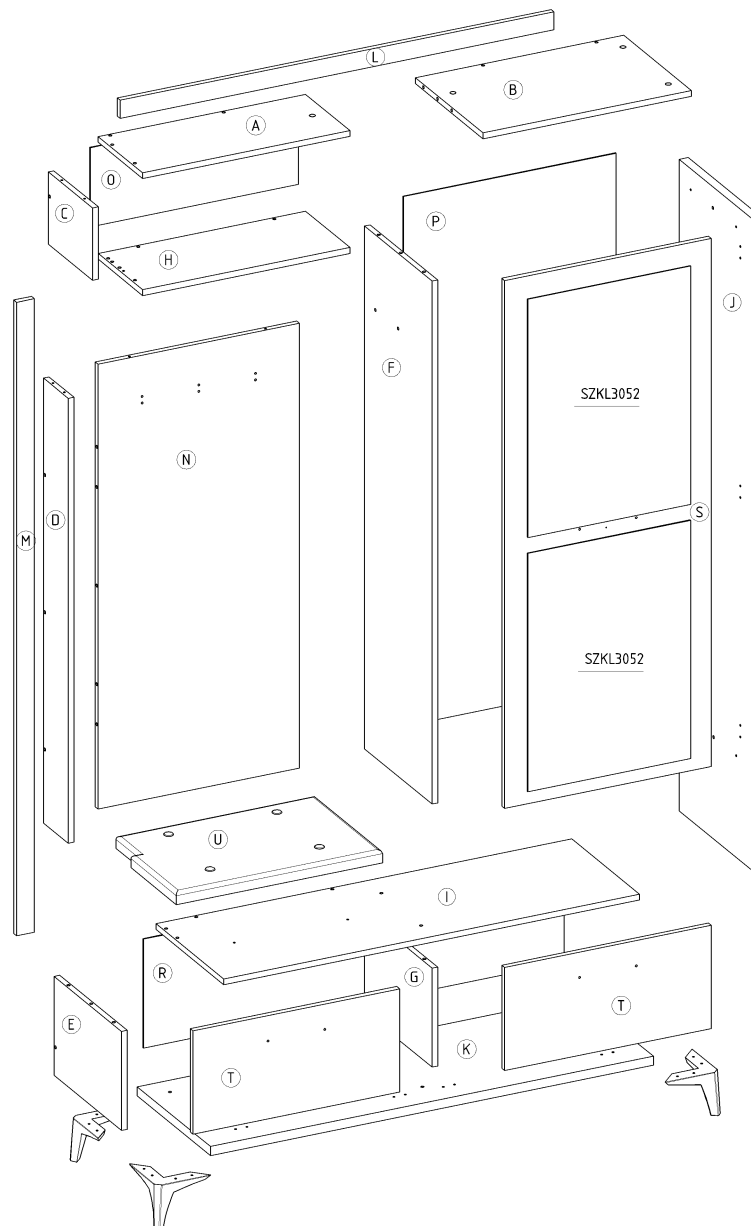


# BOX-05 PRZEDPOKÓJ 3D

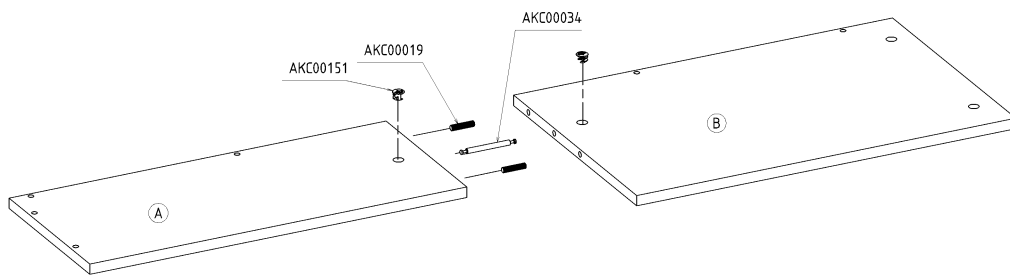
L-125 H-195 D-42



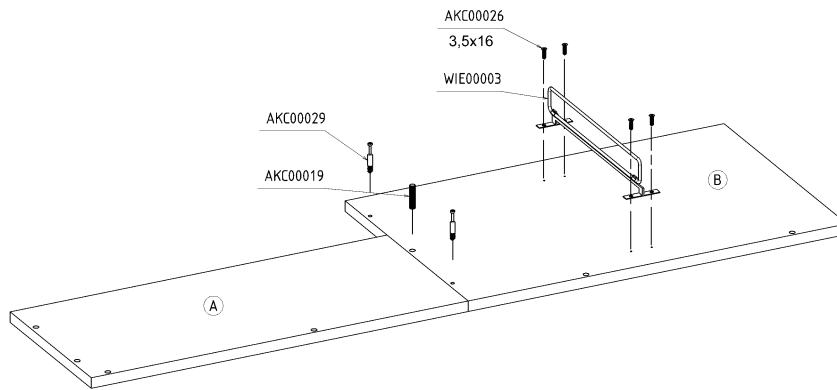
|  |  |  |  |  |   |  |
|--|--|--|--|--|---|--|
| <b>x 11</b><br><br>AKC00019           | <b>x 28</b><br><br>AKC00120           | <b>x 6</b><br><br>AKC00056          | <b>x 34</b><br><br>AKC00004 | <b>x 14</b><br><br>AKC00029 | <b>x 1</b><br><br>AKC00034           | <br><br> 60 min |
| <b>x 16</b><br><br>AKC00151           | <b>x 16</b><br><br>AKC00004           | <b>x 7</b><br><br>ZAW00026          | <b>x 3</b><br><br>WIE00007  | <b>x 2</b><br><br>AKC00024  | <b>x 60</b><br><br>AKC00018          |  |
| <b>x 26</b><br><br>3,5x16<br>AKC00026 | <b>x 18</b><br><br>3,5x30<br>AKC00026 | <b>x 12</b><br><br>4x25<br>AKC00026 | <b>x 1</b><br><br>AKC00017  | <b>x 3</b><br><br>UCH00037  | <b>x 1</b> L- 300 mm<br><br>WIE00003 |  |



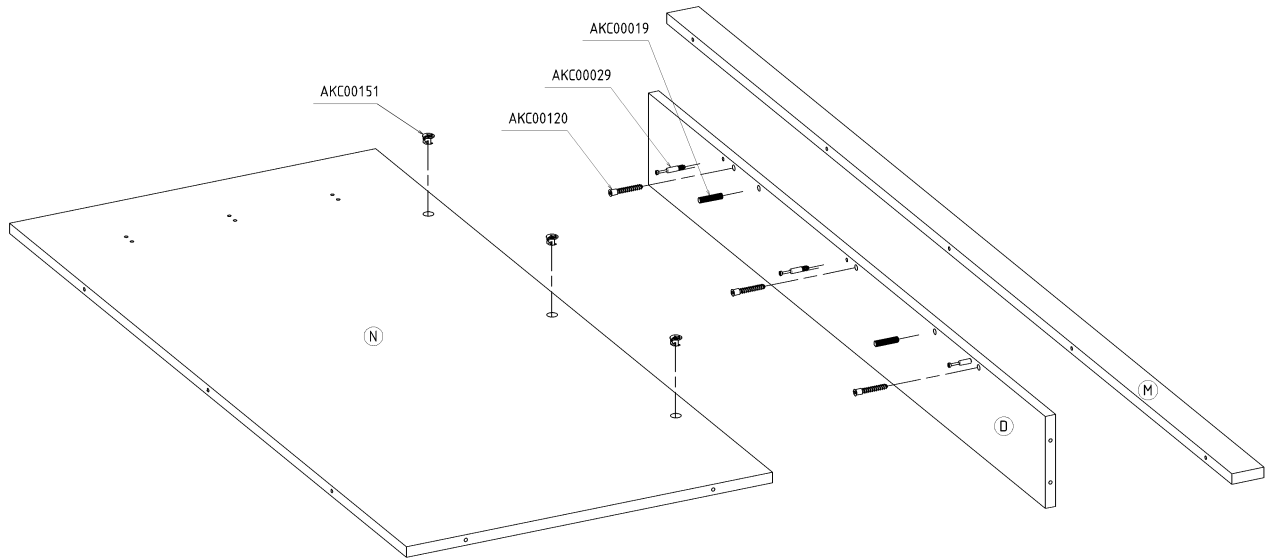
1



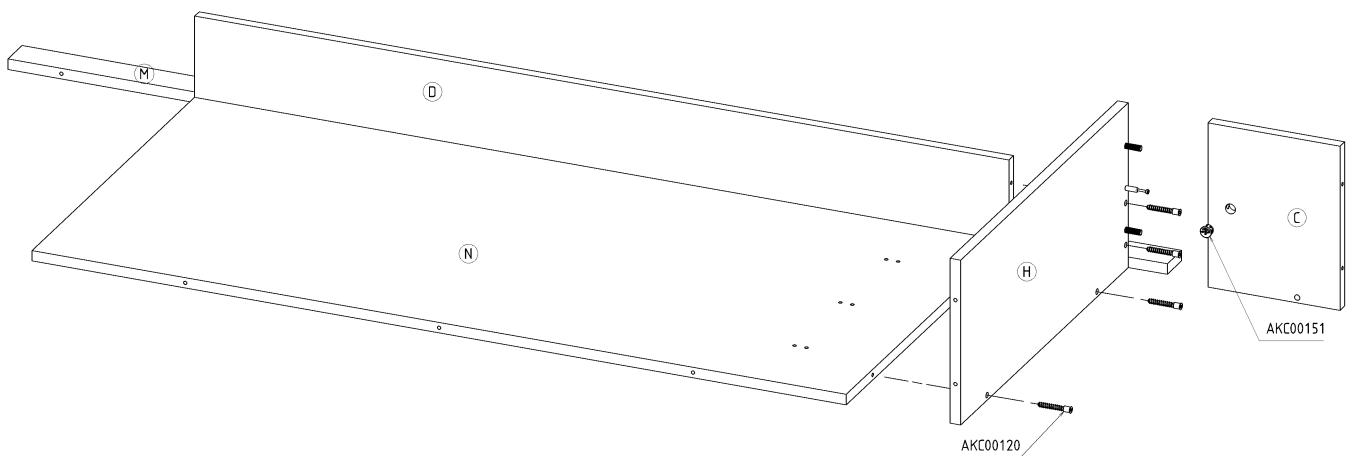
2



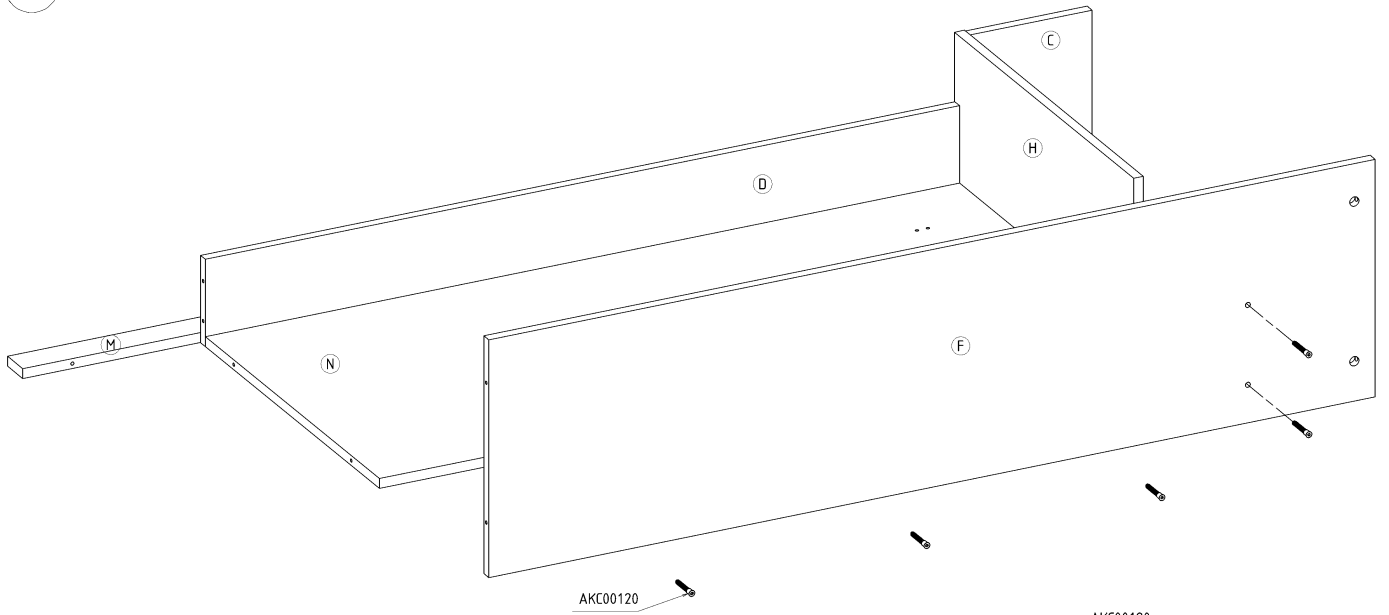
3



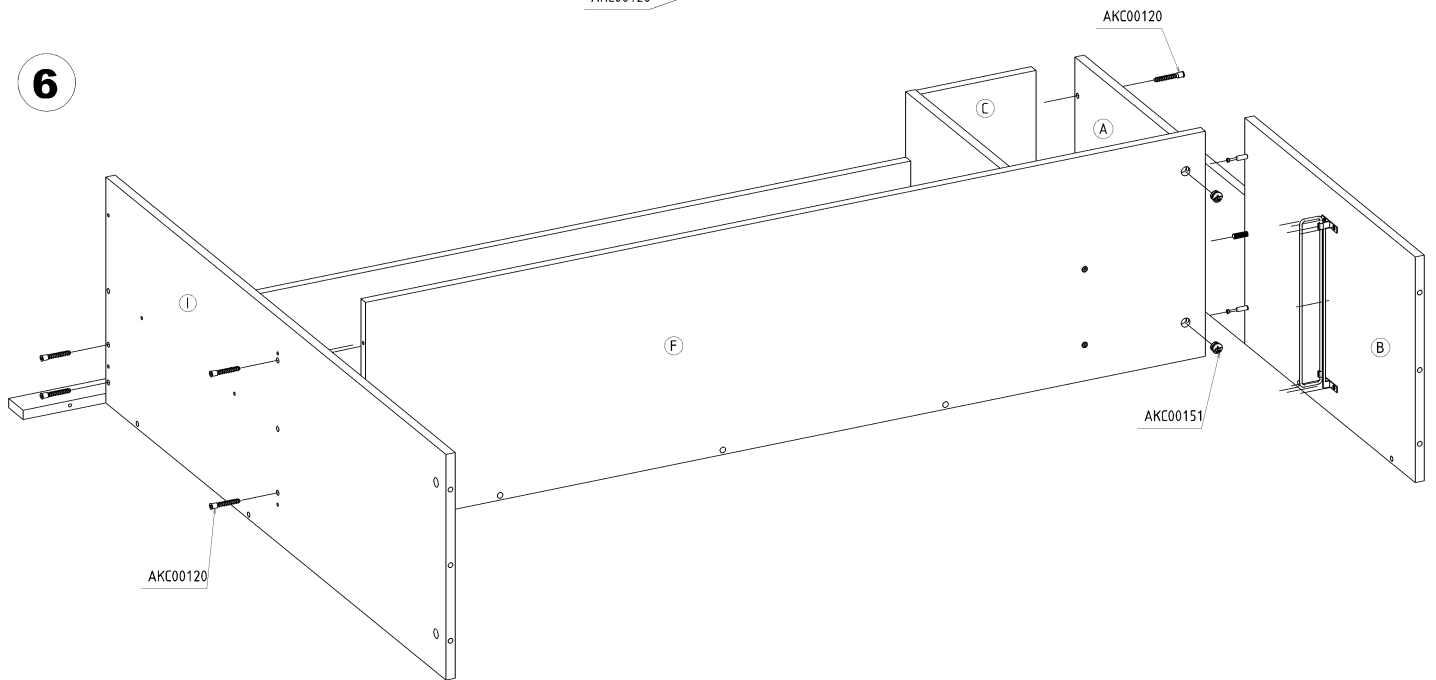
4



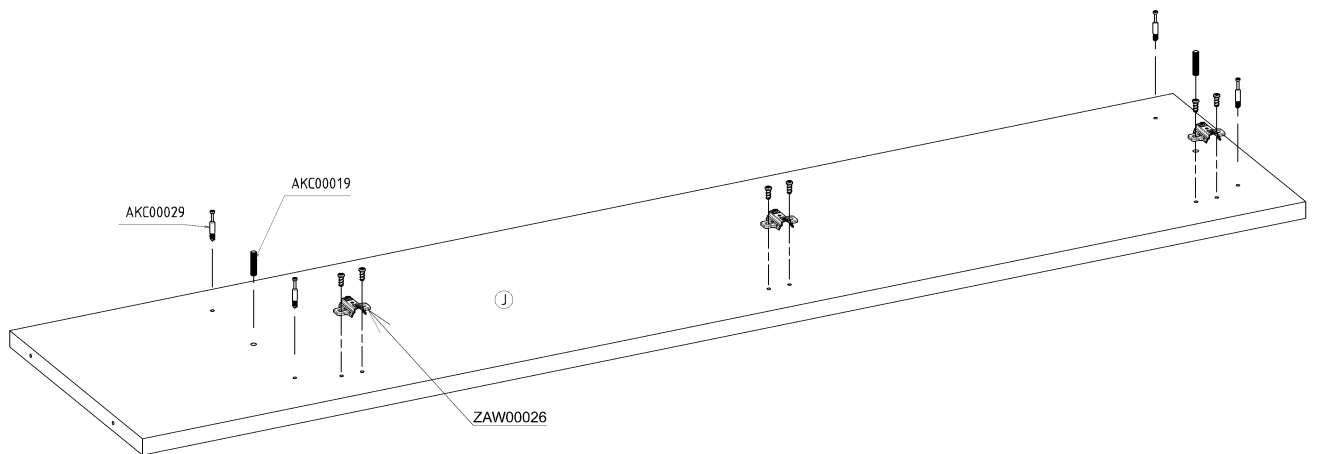
5



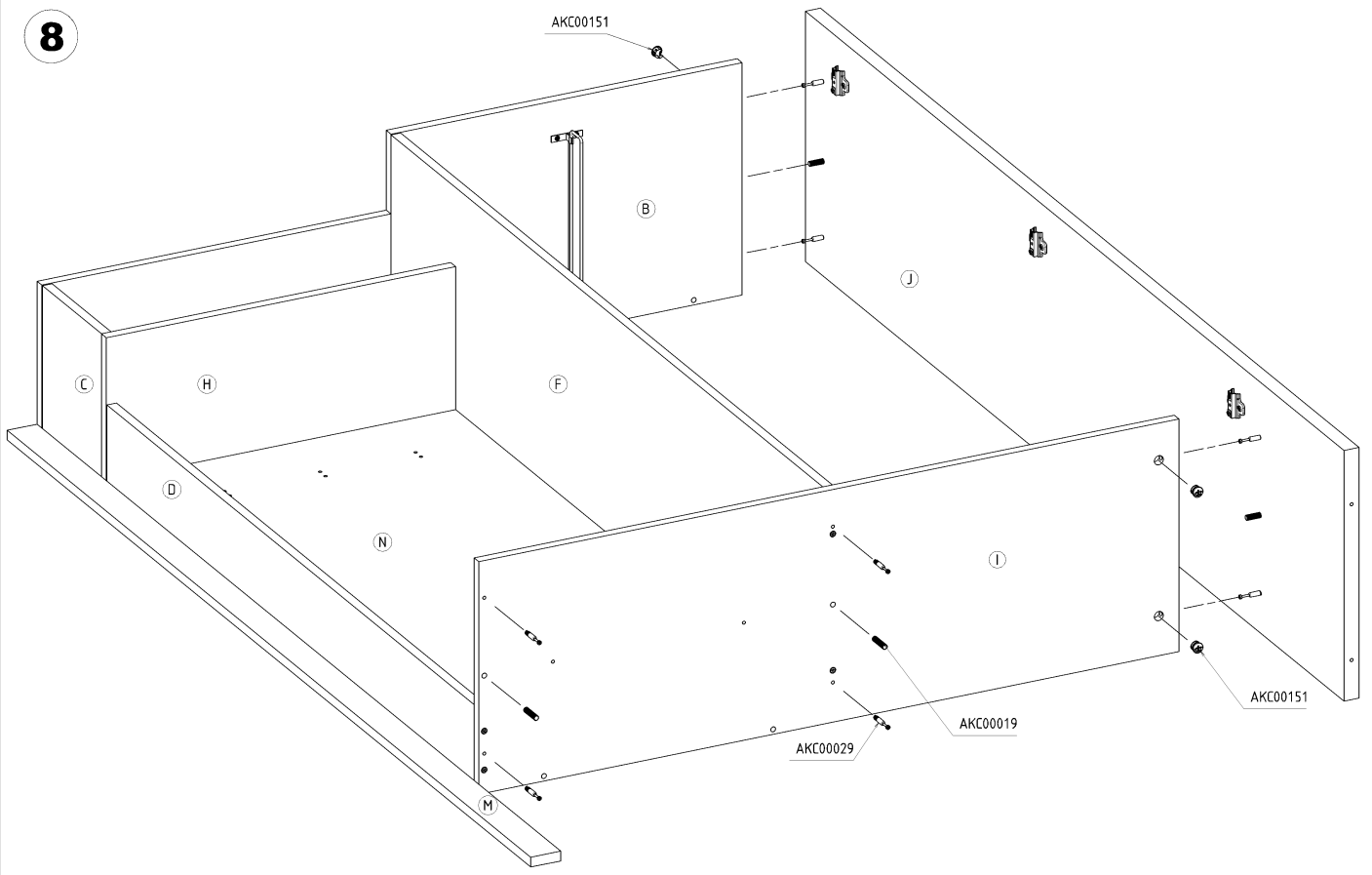
6



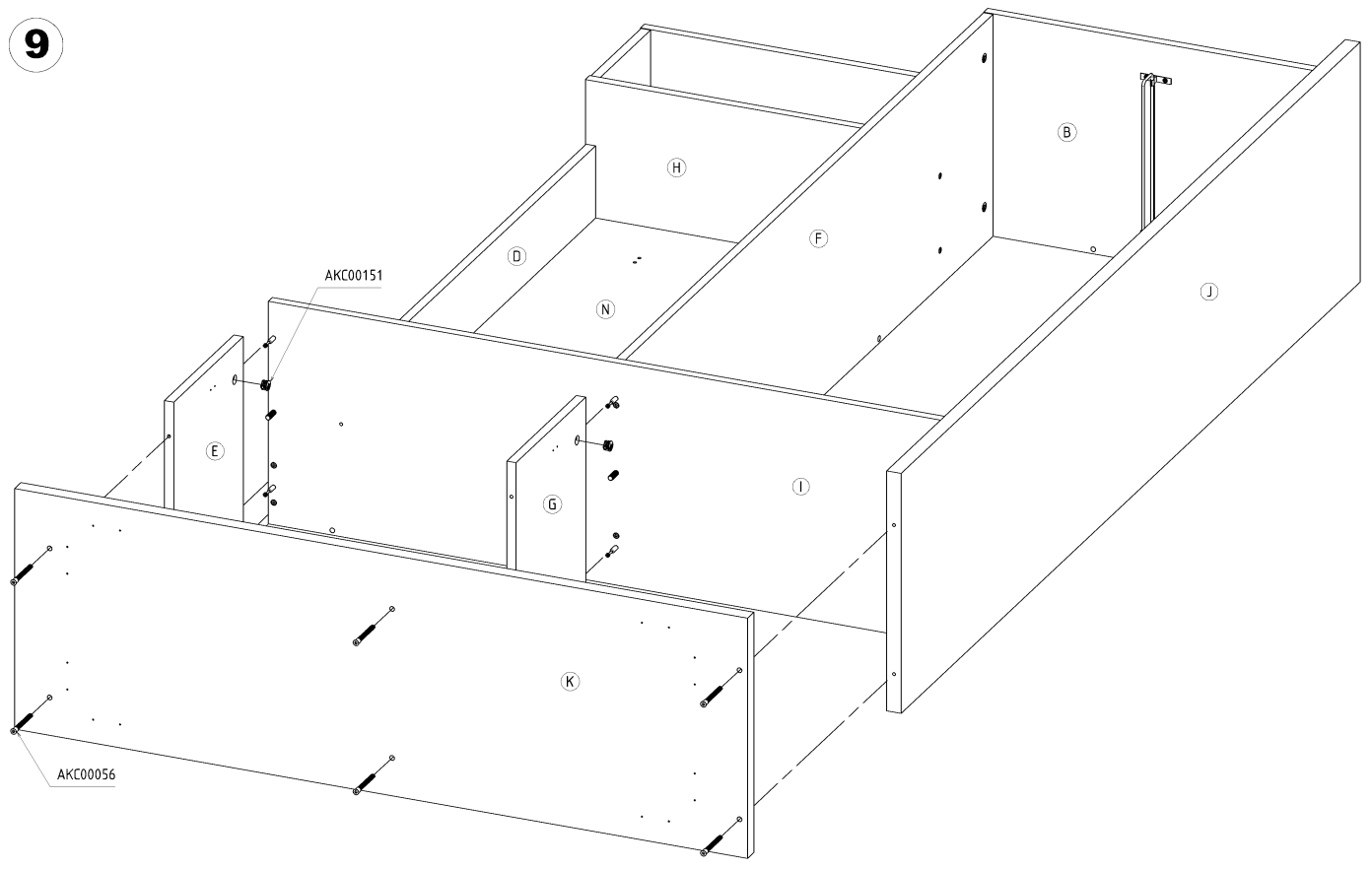
7



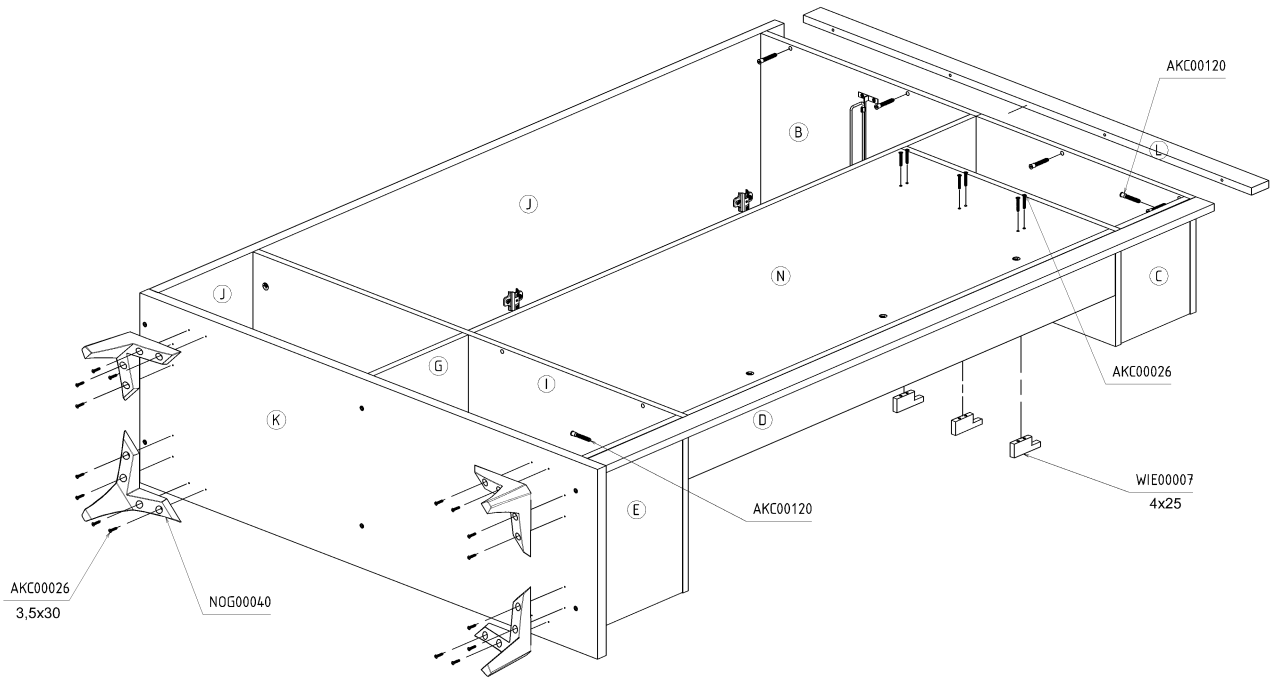
8



9



10



11

