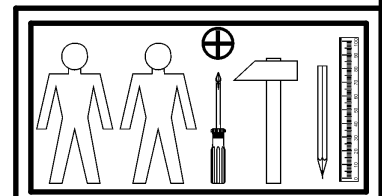
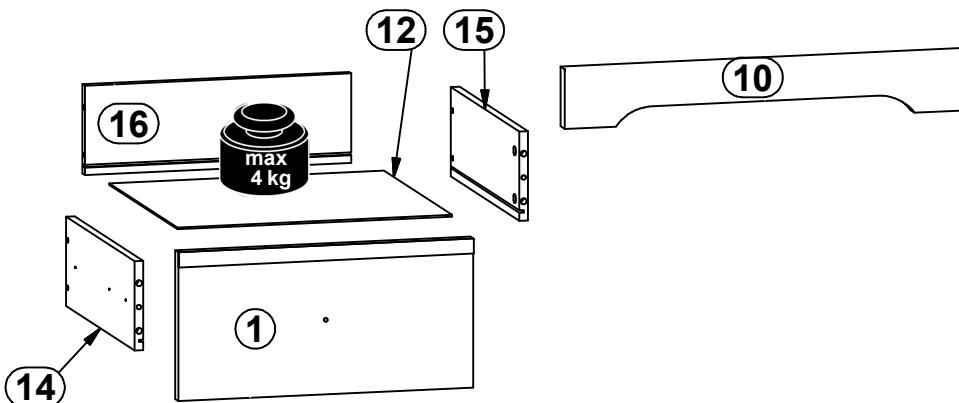
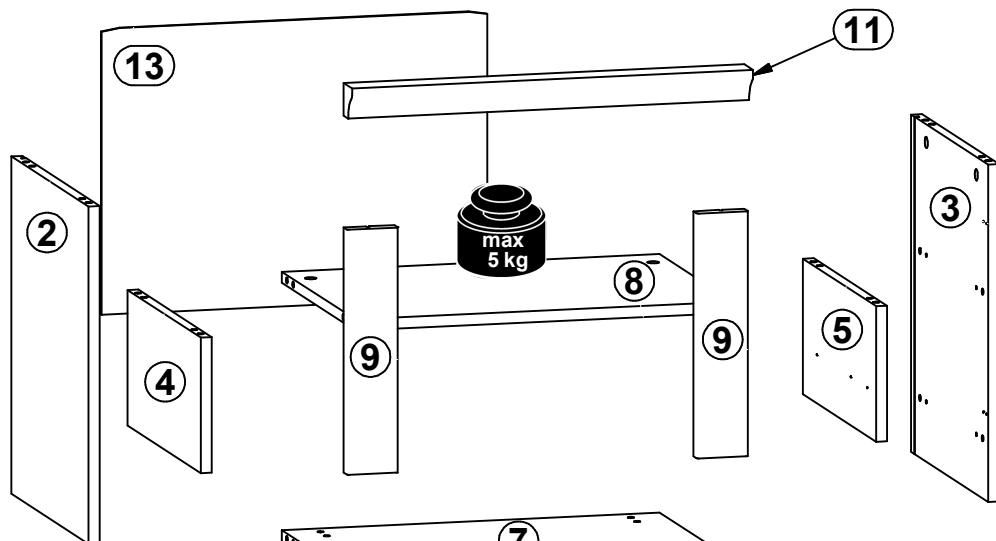
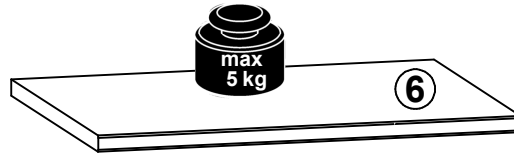
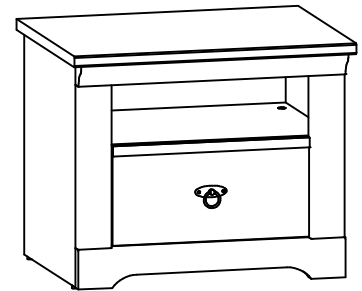


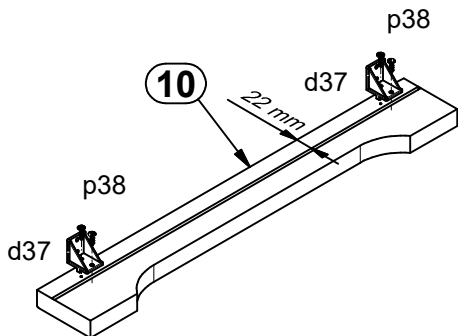
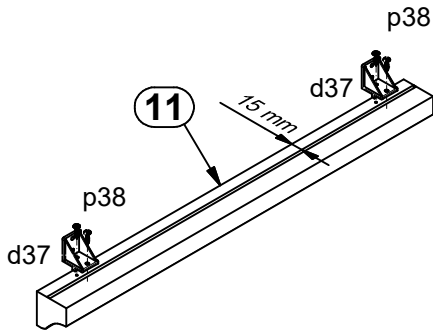
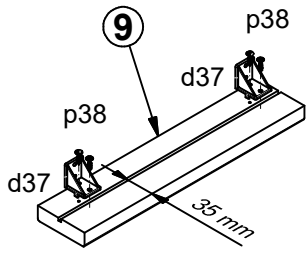
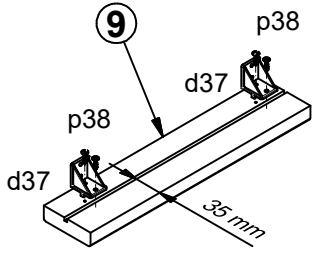
A	B	C	D
1	S405-0024	404	200
2	S405-1018	453	395
3	S405-1019	453	395
4	S405-1020	182	375
5	S405-1021	182	375
6	S405-2010	579	445
7	S405-3028	517	375
8	S405-3029	517	375
9	S405-5013	329	70
10	S405-5020	549	80
11	S405-5021	549	44
12	S405-9014	376	348
13	S405-9015	384	528
14	ZK1-503	350	120
15	ZK1-504	350	120
16	ZS4-5527	365	120



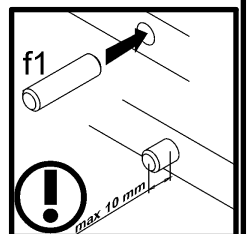
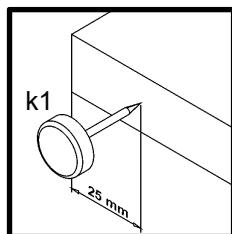
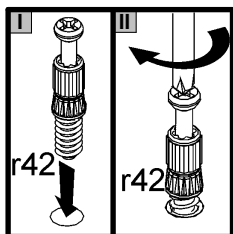
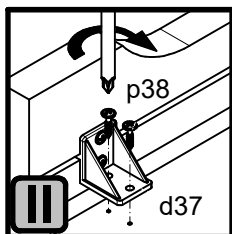
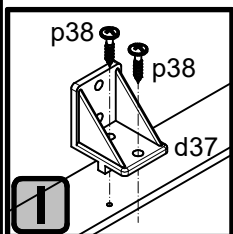
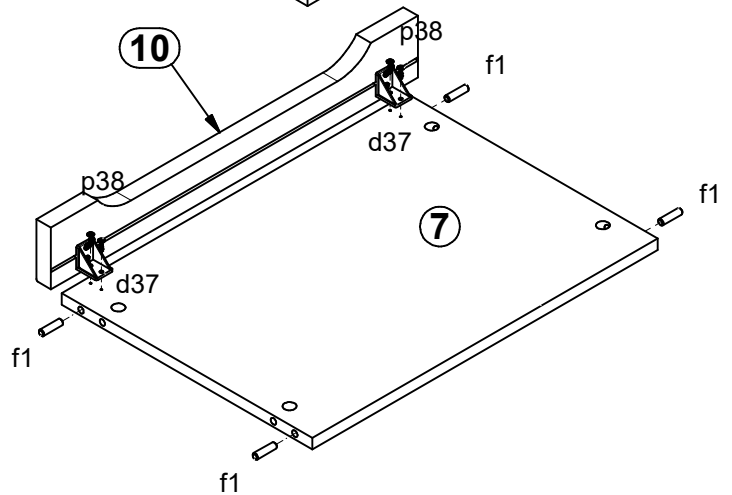
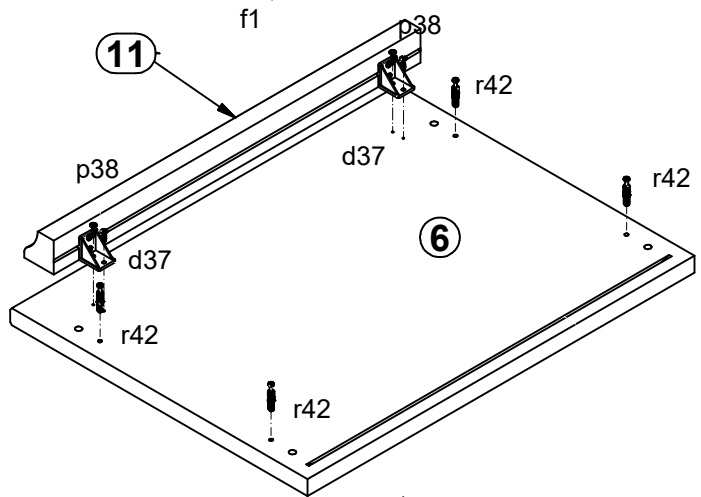
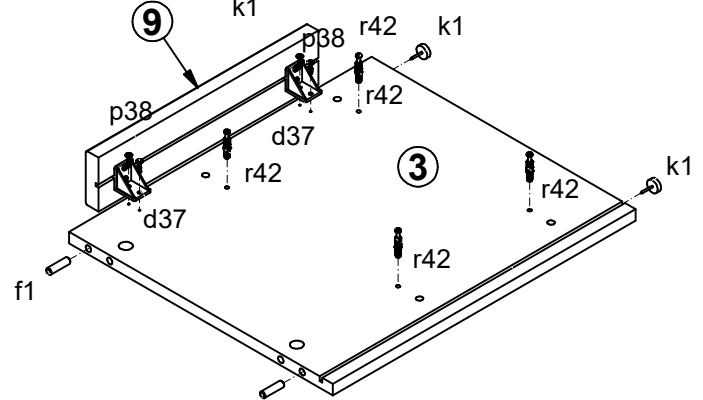
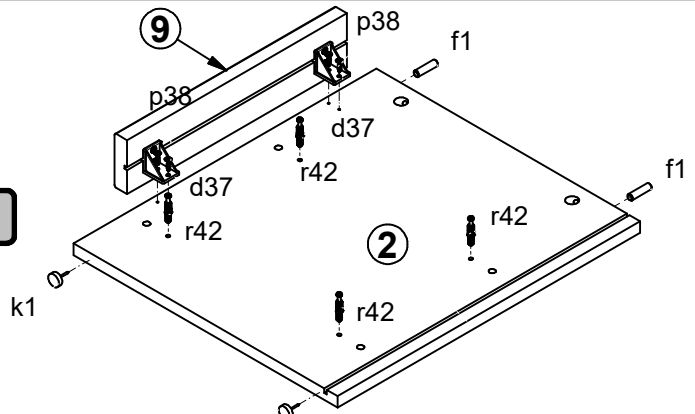
1x c477/1	1x c477/2	8x d37	28x ø8x30 mm f1	4x ø6.5x40 mm f25	2x ø6x30 mm f9	1x M4x20 mm j1	4x k1	5x 1.4x20 mm l1	
4x i2	12x ø3.5x12 mm p140	32x ø3.5x16 mm p38	12x ø15x12 mm #16 r1	4x ø12x10.5 mm #12 r15	16x 20/11 r42	2x 350/580 mm w152/1	2x 350/580 mm w152/2	8x ø16 s2	
								1x n26/1	1x ø3.5x16 mm p38

1

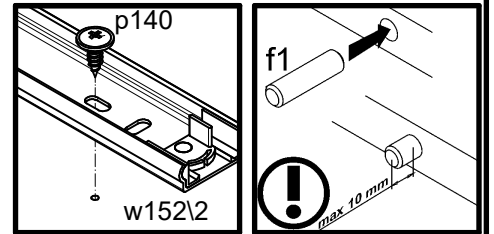
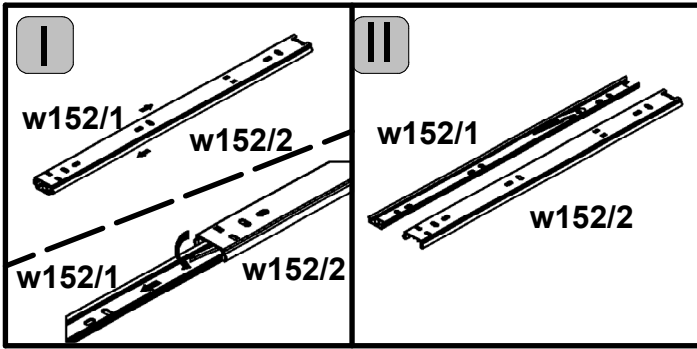
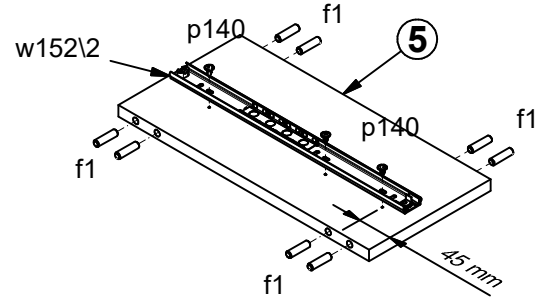
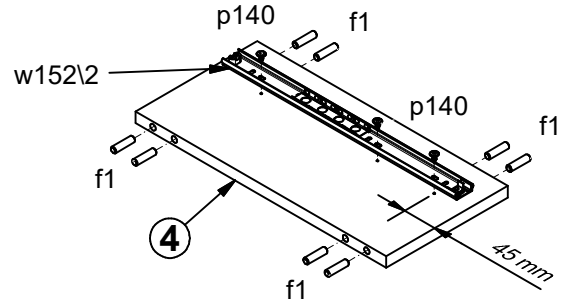
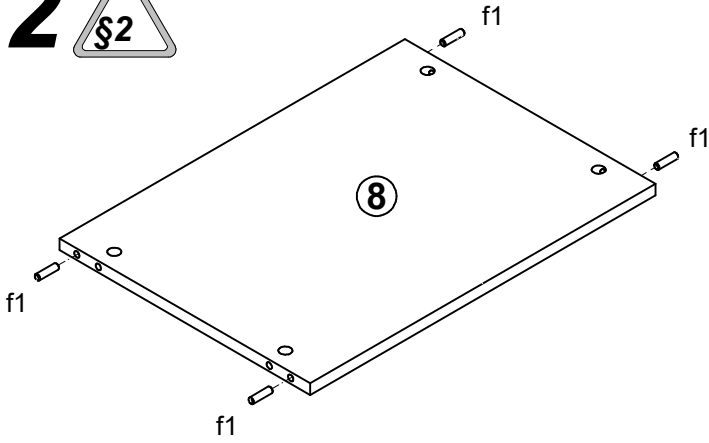
I



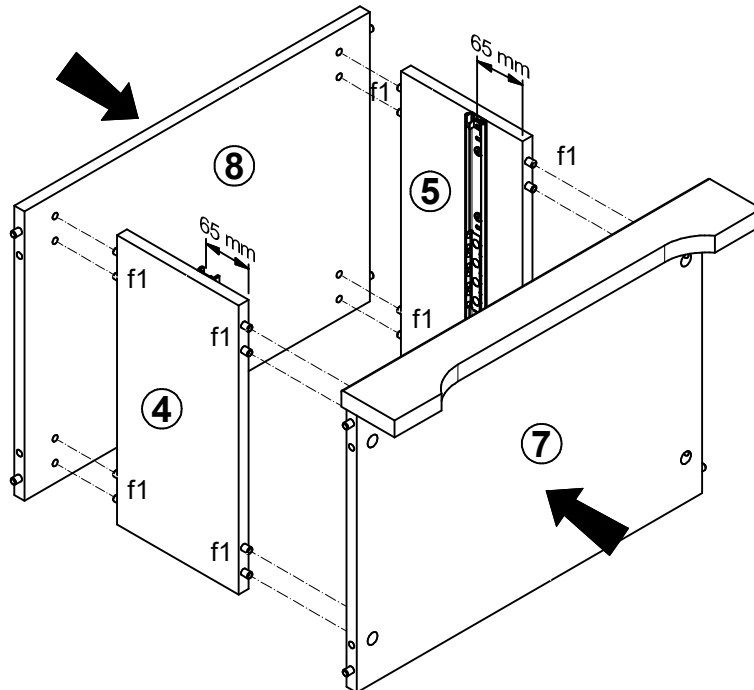
II



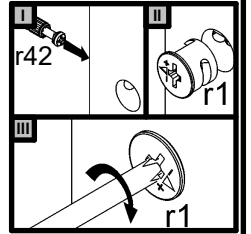
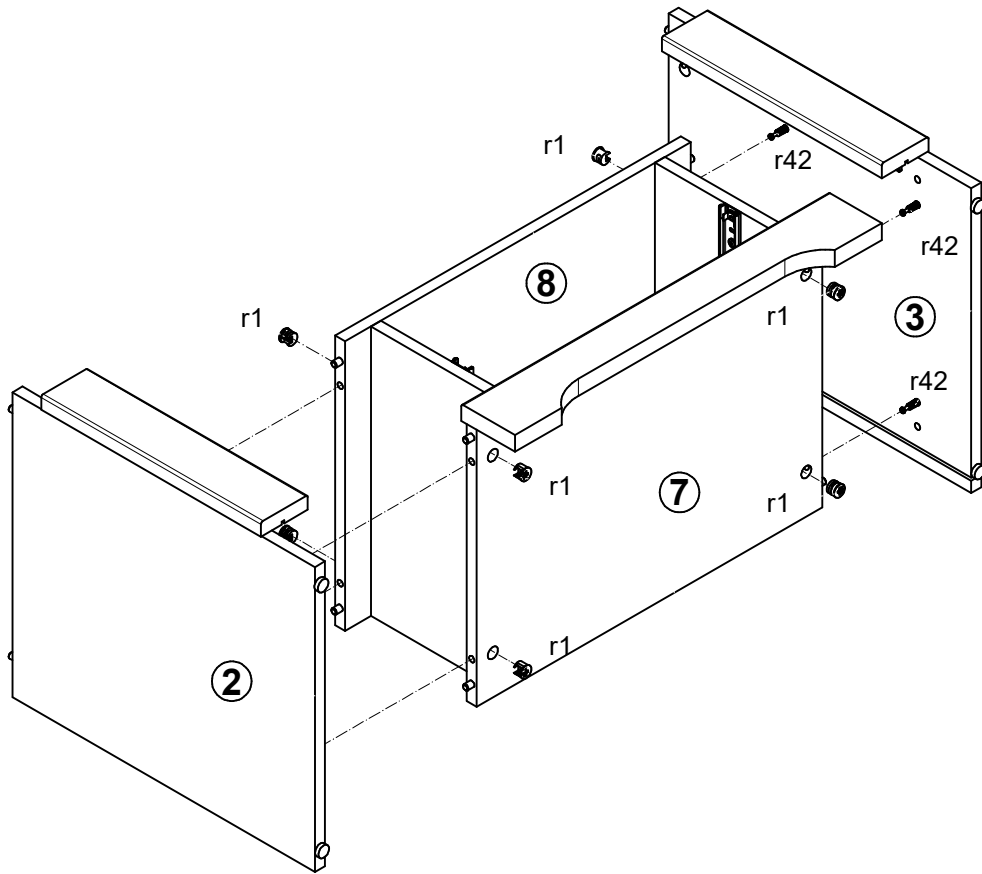
2



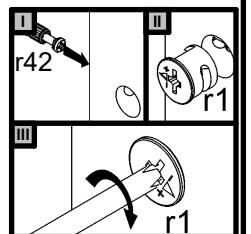
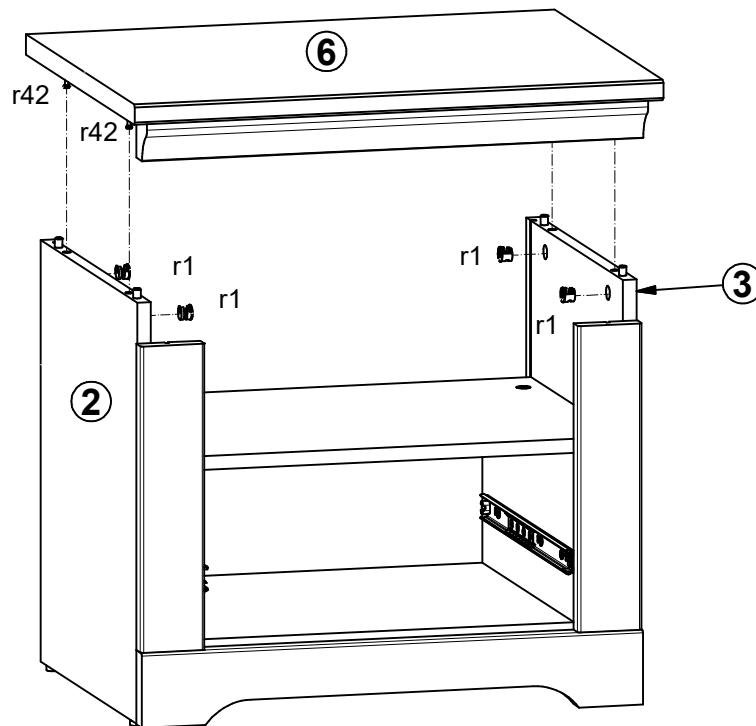
3



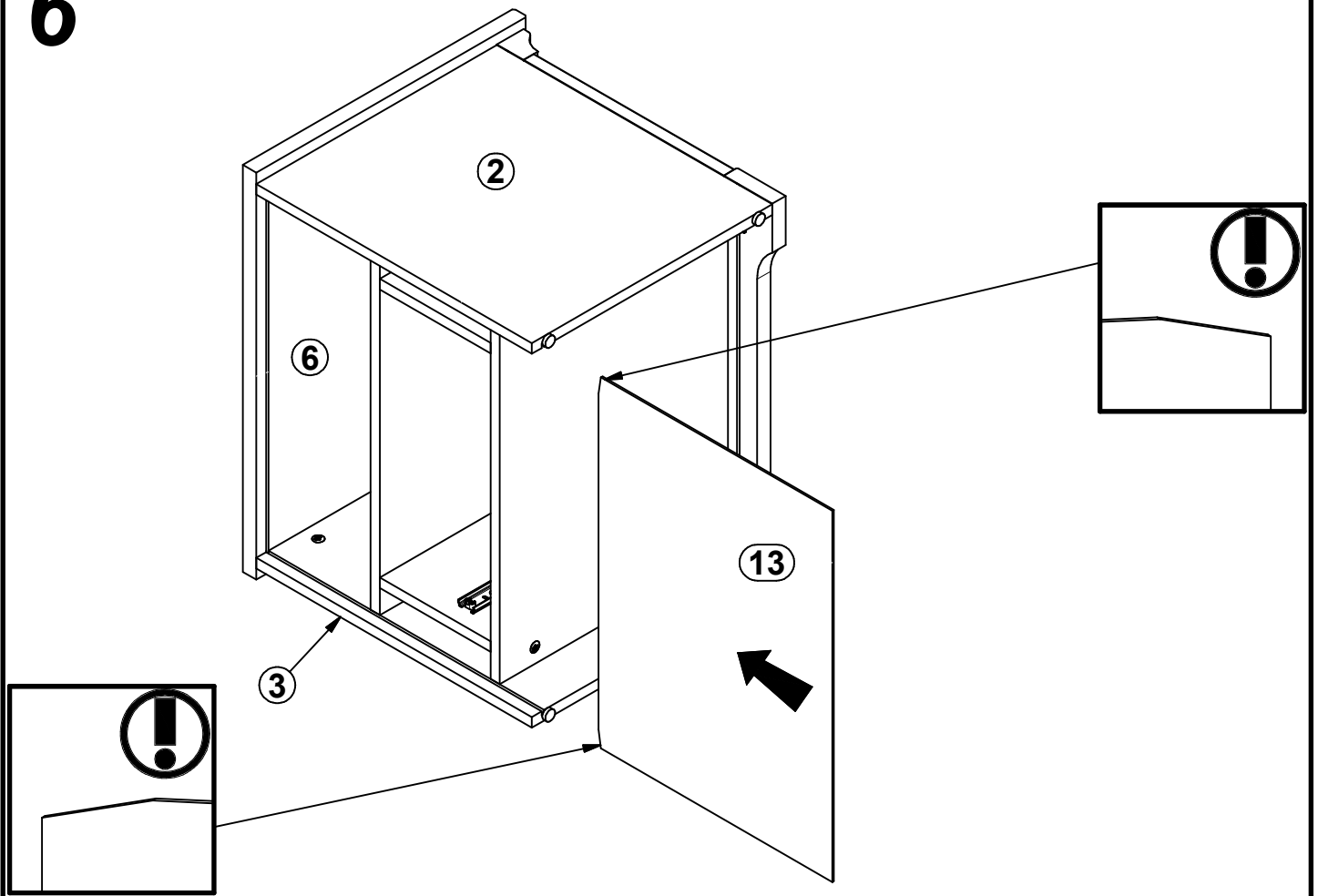
4



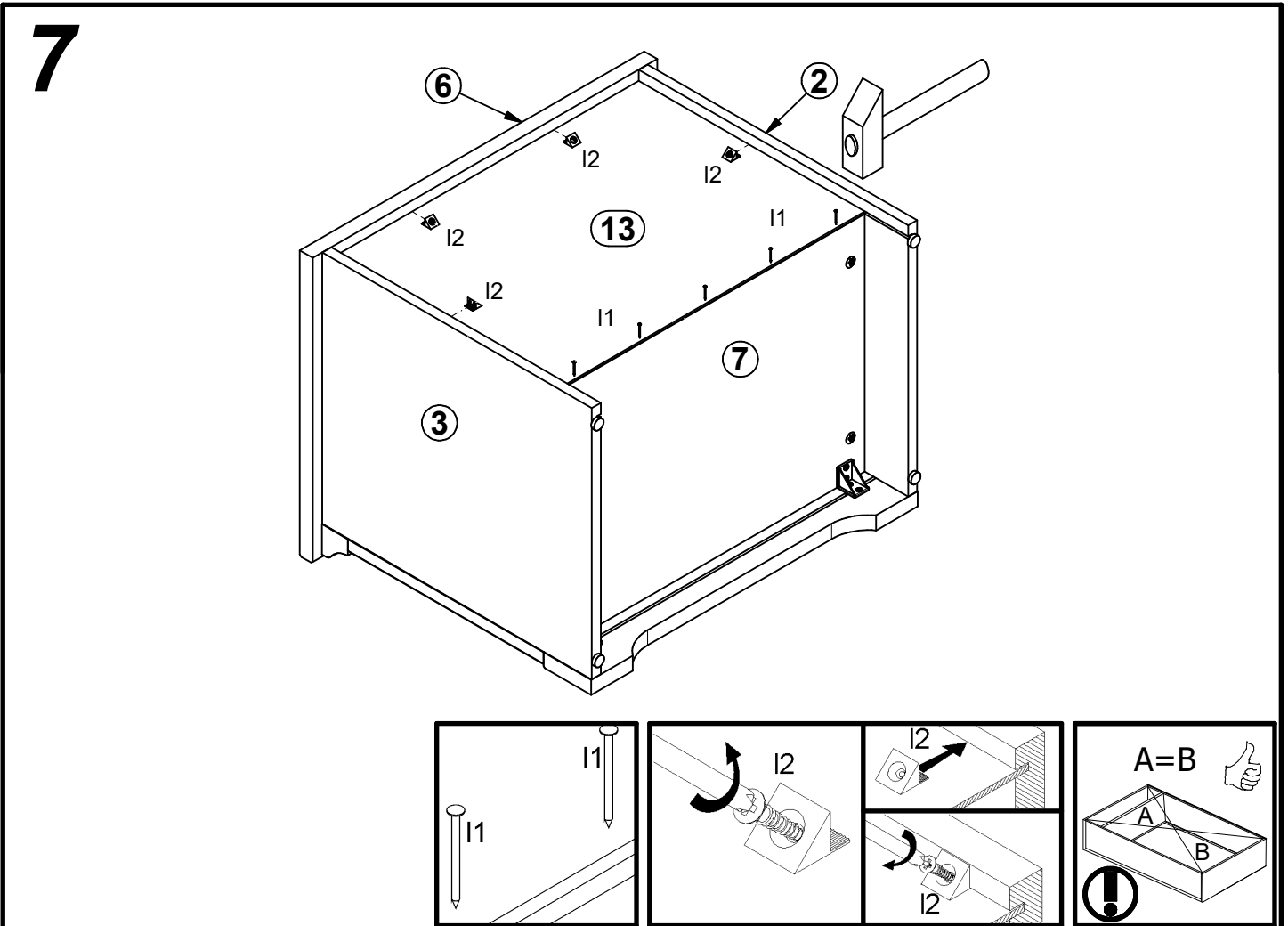
5



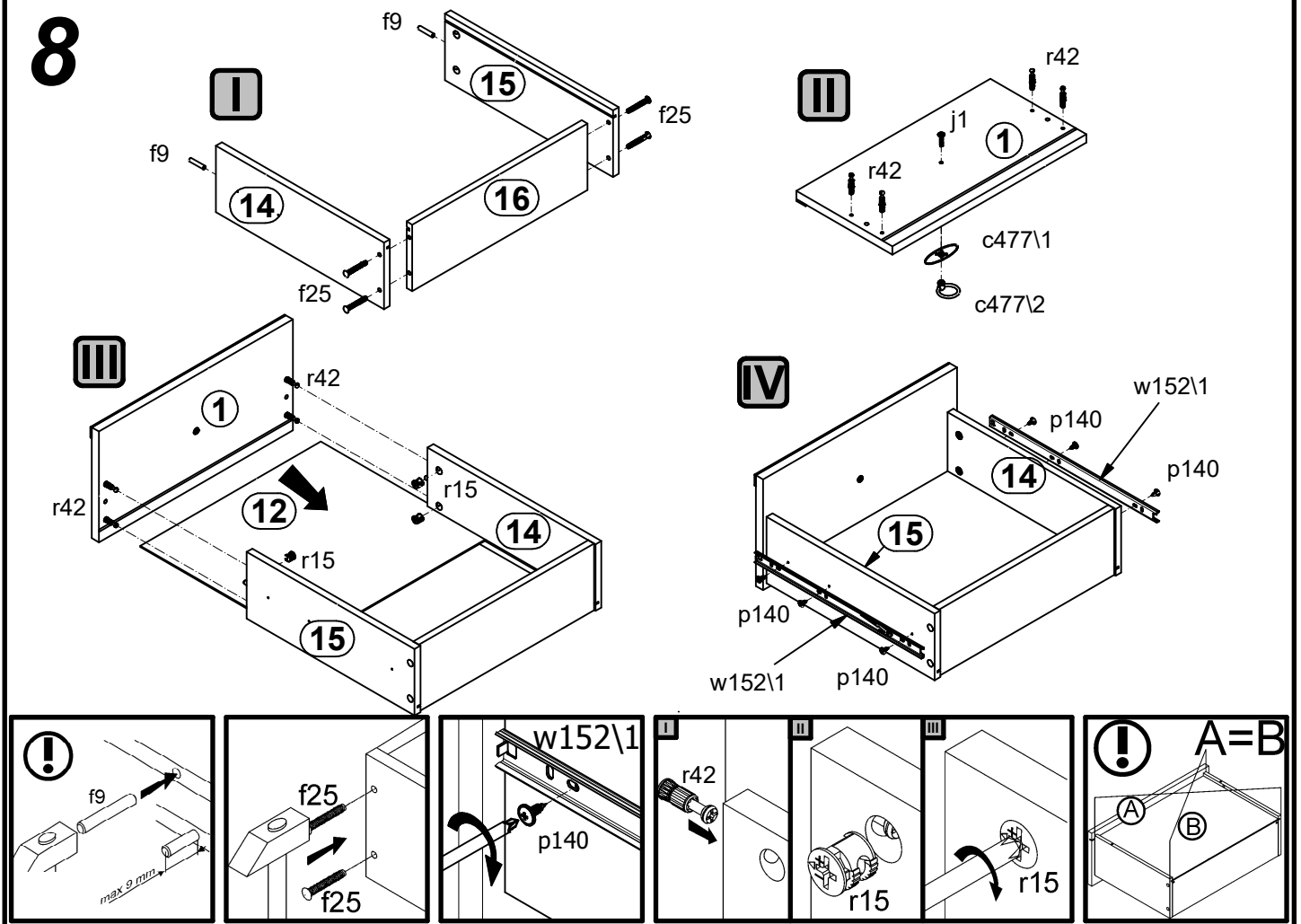
6



7



8



9

