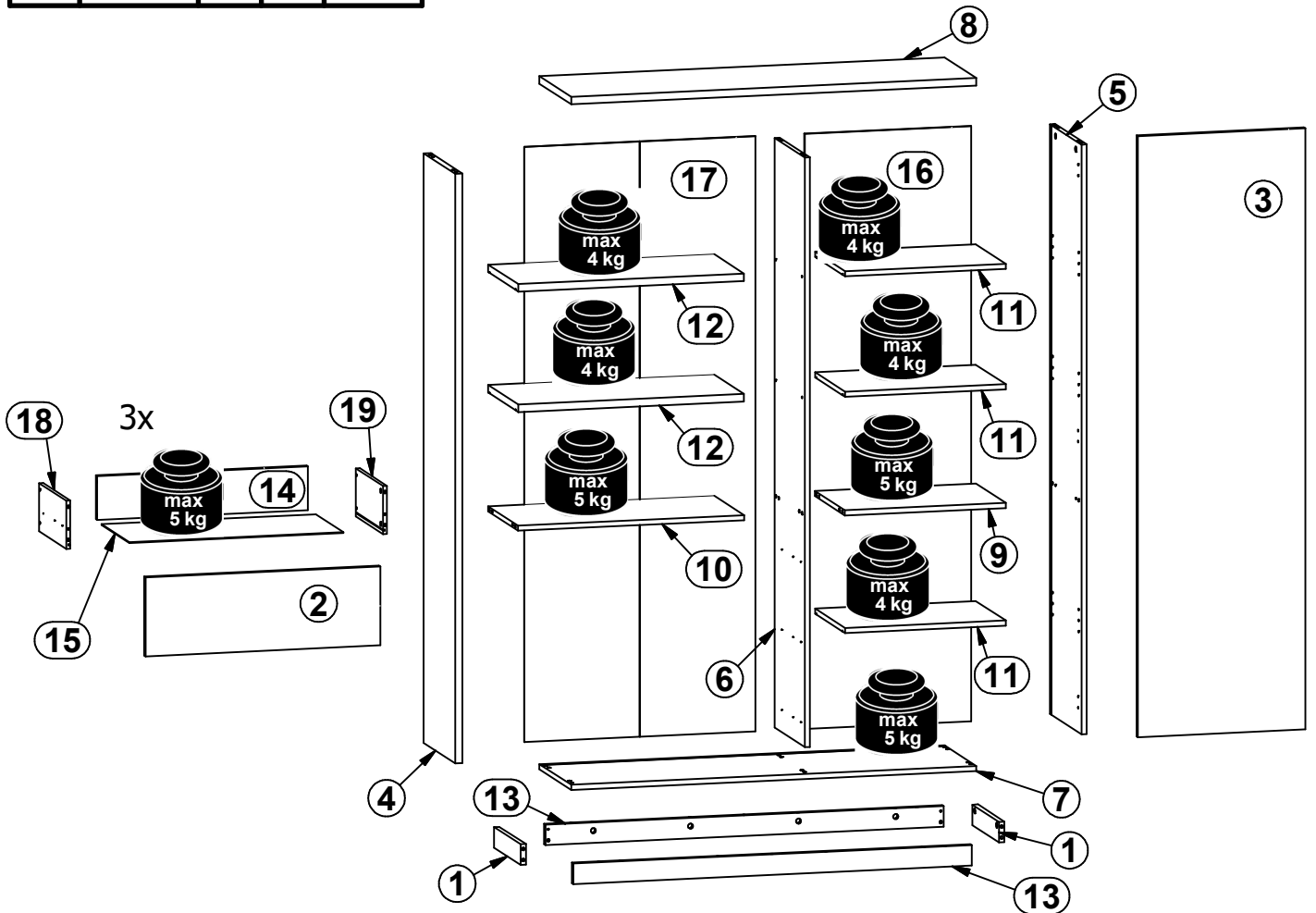
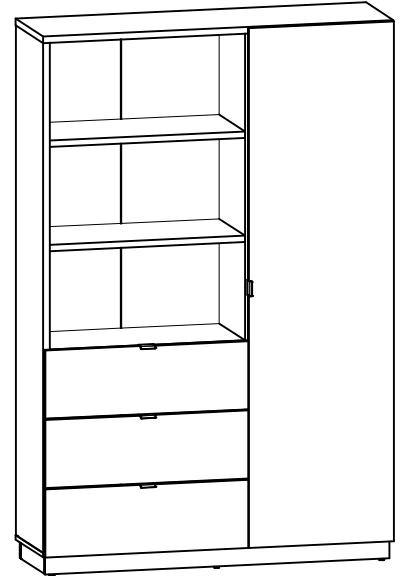
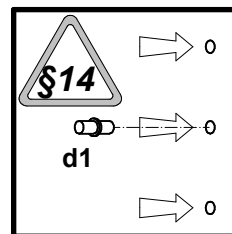
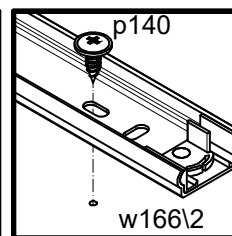
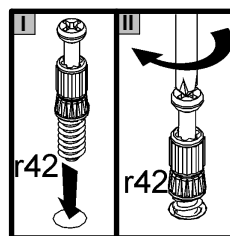
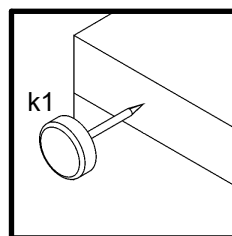
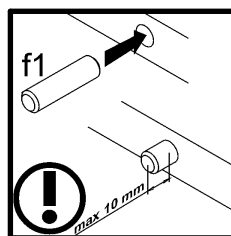
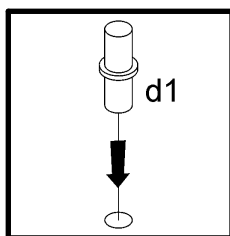
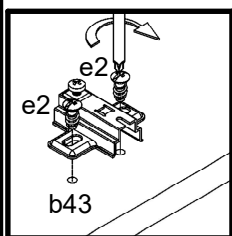
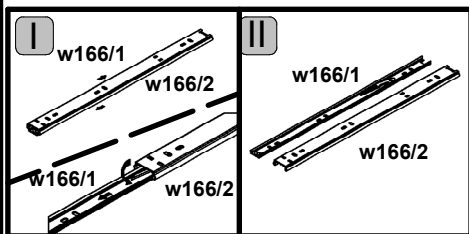
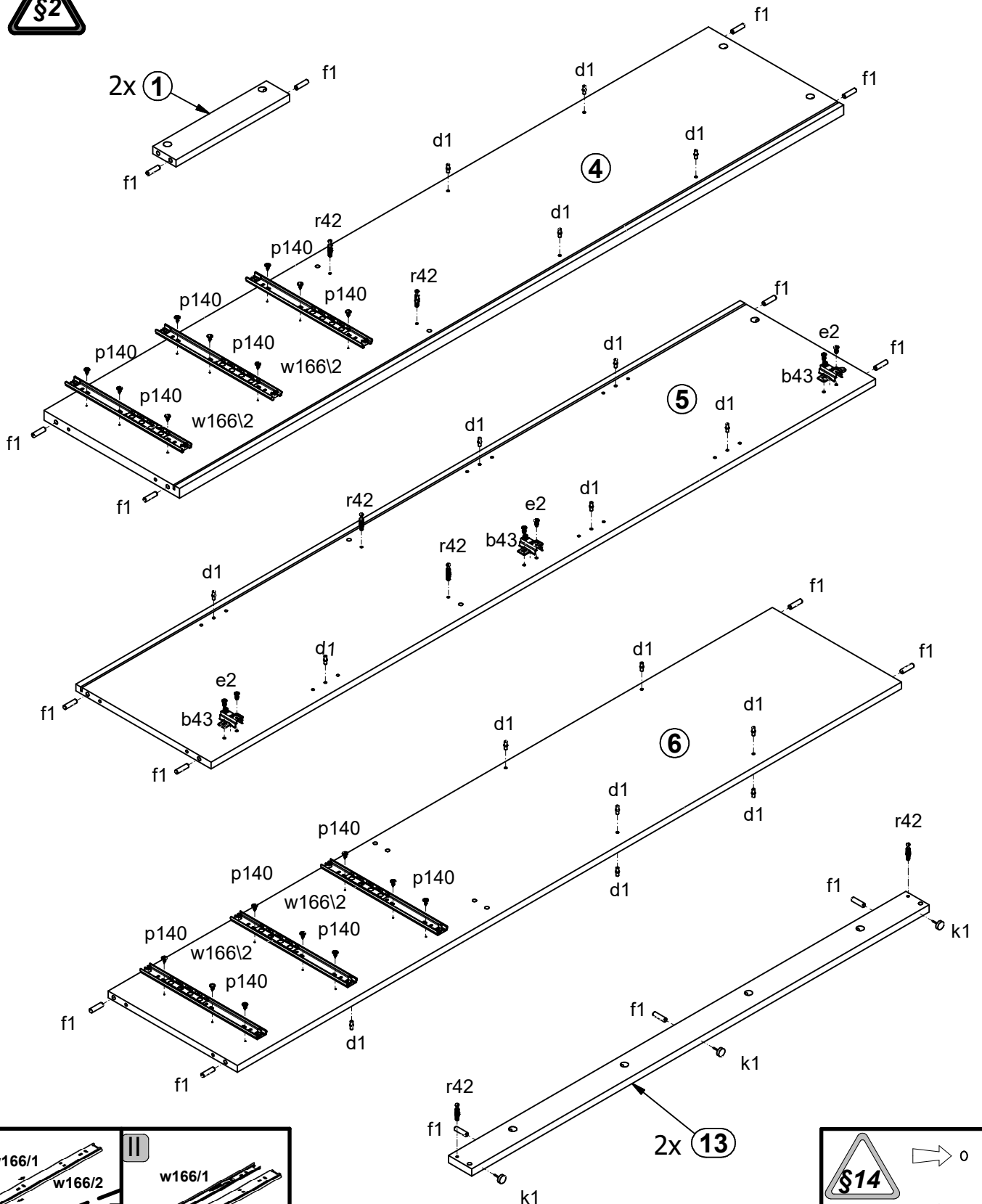


A	B	C	D	
1	S406-4007	293	60	2/3
2	S416-0001	696	229	3/3
3	S416-0003	1746	496	3/3
4	S416-1001	1713	349	1/3
5	S416-1002	1713	349	1/3
6	S416-1003	1713	333	1/3
7	S416-2001	1200	350	2/3
8	S416-2002	1200	350	2/3
9	S416-3001	477	331	3/3
10	S416-3002	670	331	2/3
11	S416-3003	476	331	2/3
12	S416-3004	669	331	2/3
13	S416-4001	1180	60	2/3
14	S416-5001	624	127	2/3
15	S416-9001	635	305	1/3
16	S416-9002	1729	493	3/3
17	S416-9301	1729	685	3/3
18	ZK2-533	400	120	1/3
19	ZK2-534	400	120	1/3

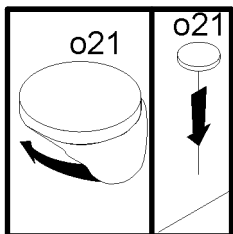
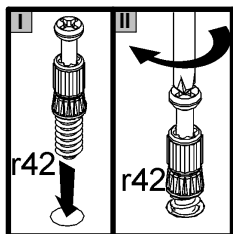
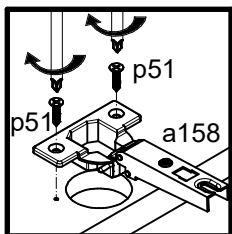
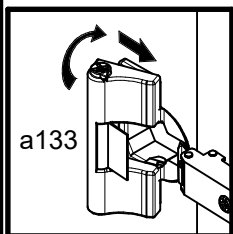
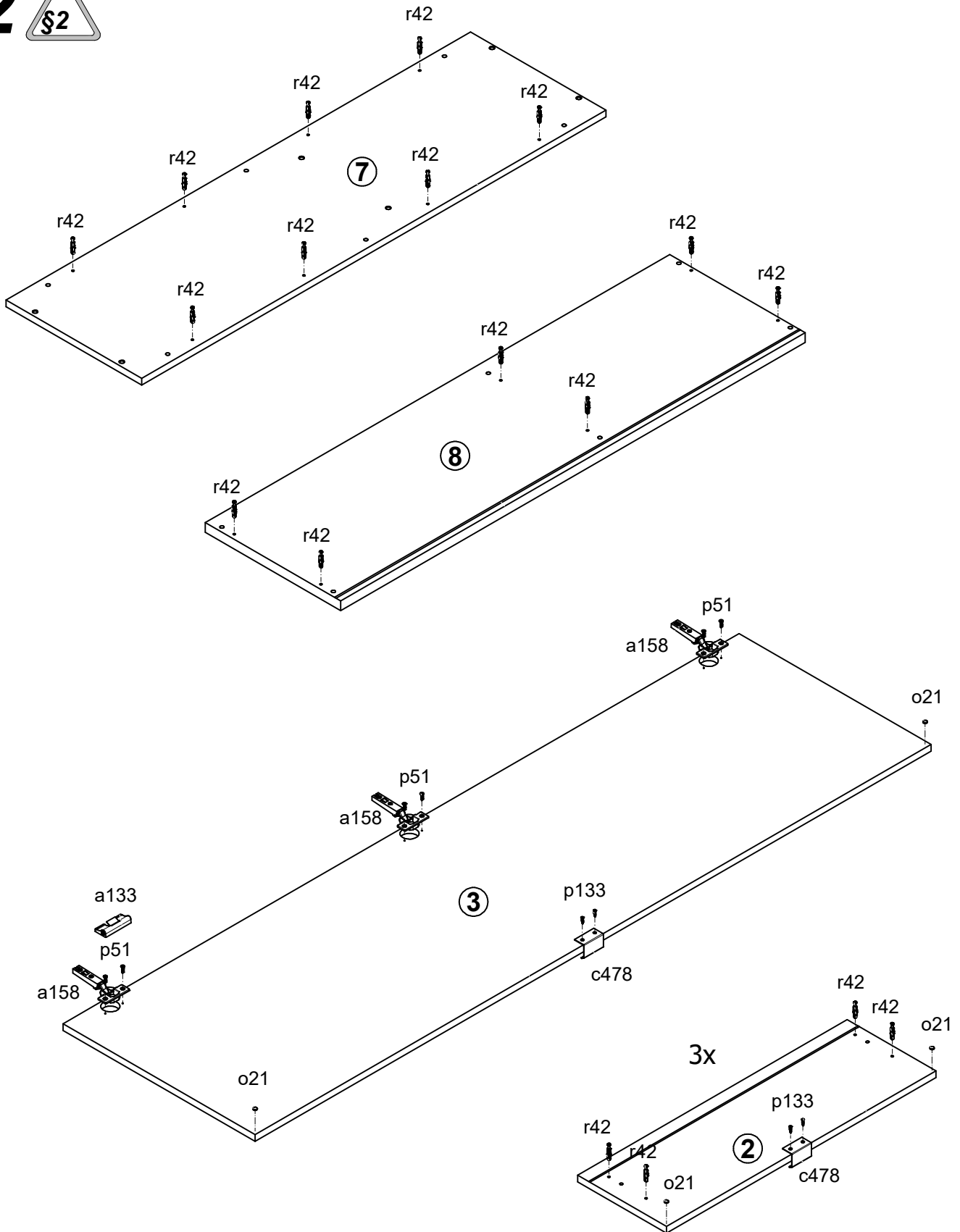


1x a133	3x a158	3x b43	4 c478	20x d1	6x e1	6x e2	26x f1	12x f25
2x f6	6x f9	6x k1	10x l1	14x l2	8x n108	8x p133	36x p140	3x p25
3x p35	13x p38	6x p51	8x p55	26x r1	2x r10	12x r15	34x r42	3x t25
6x w166/1	6x w166/2	6x s68	1x z1	1x n26	8x o21			

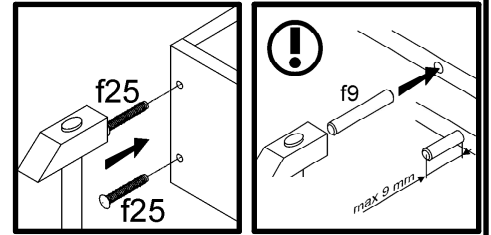
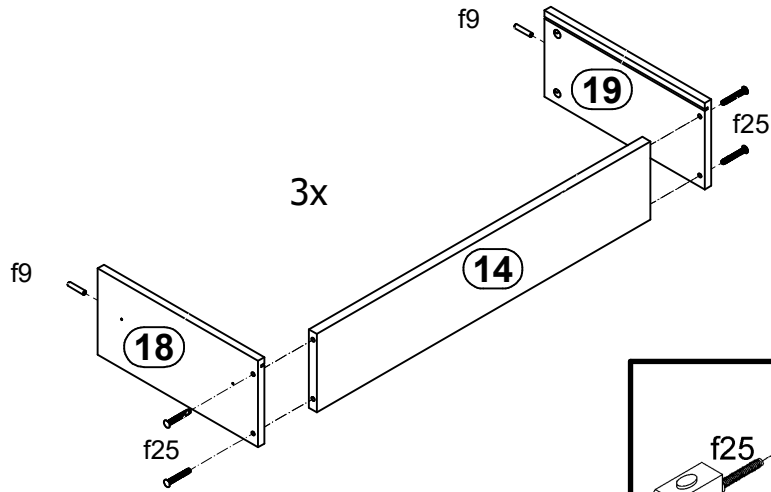
1 



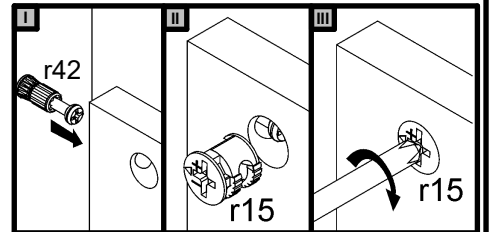
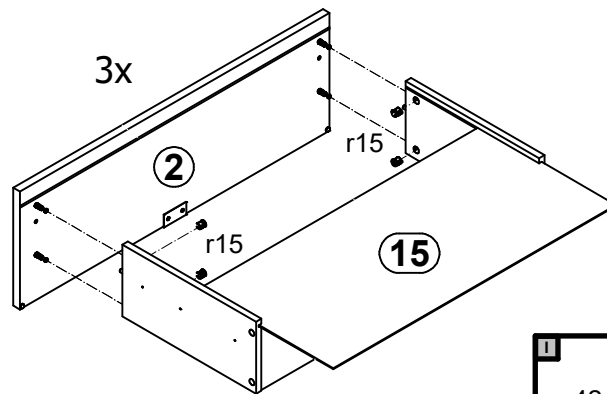
2



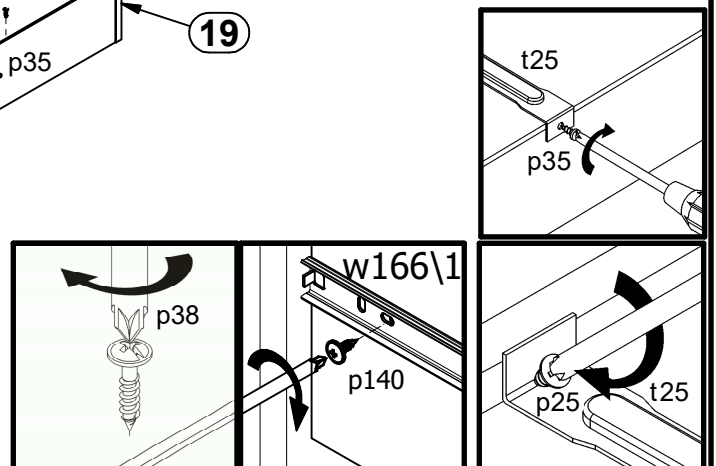
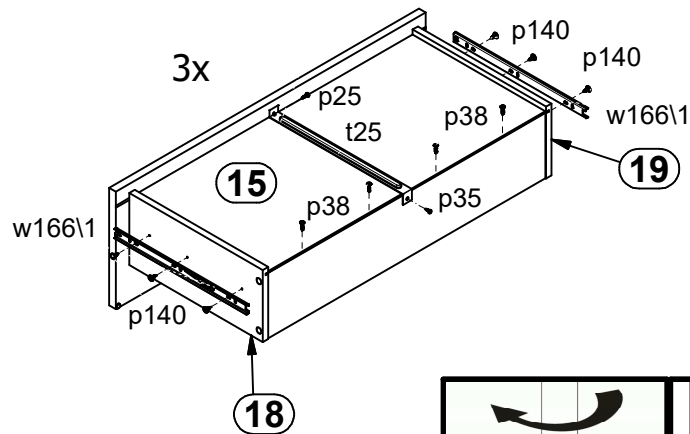
3 §6



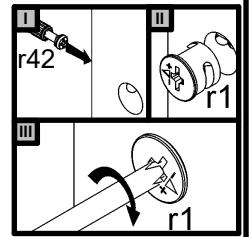
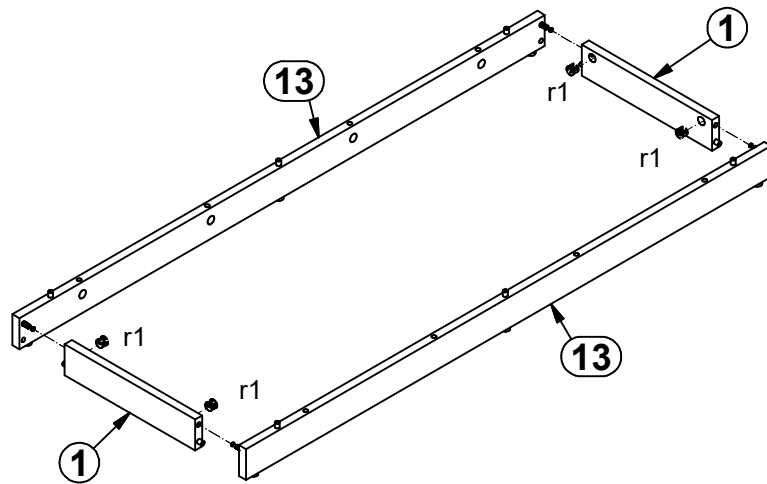
4 §6



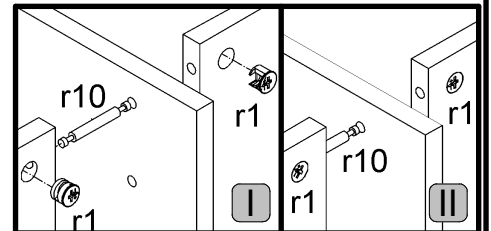
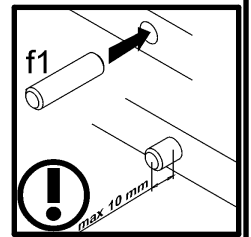
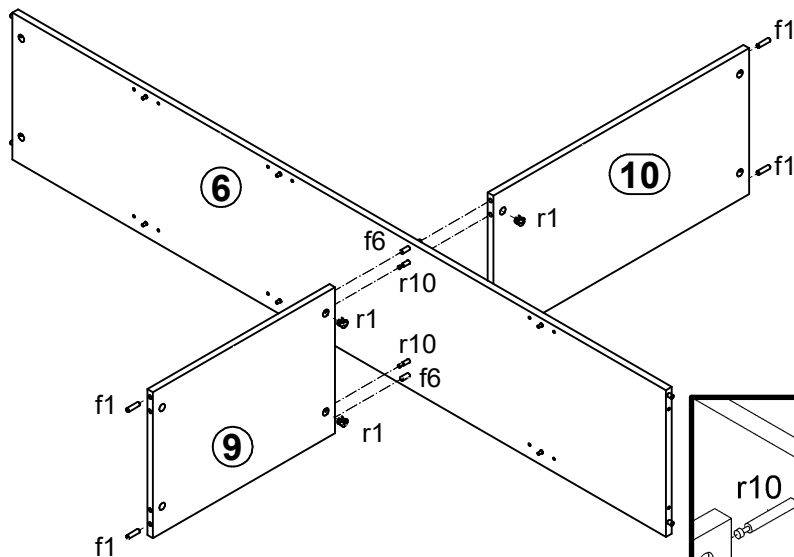
5 §6



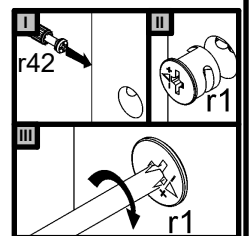
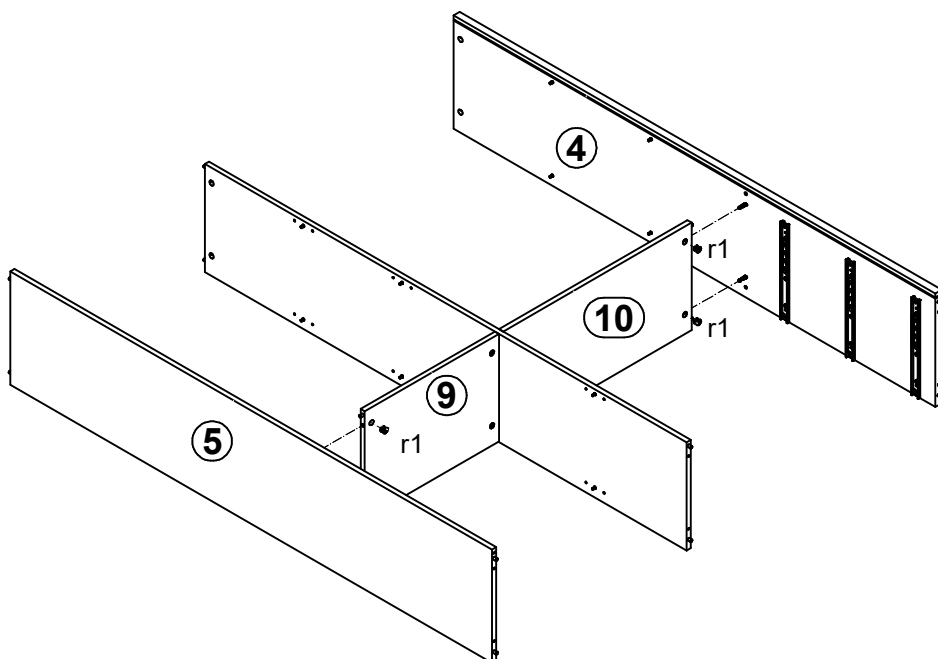
6



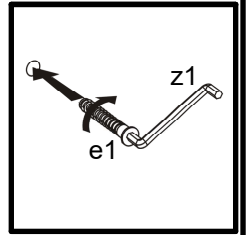
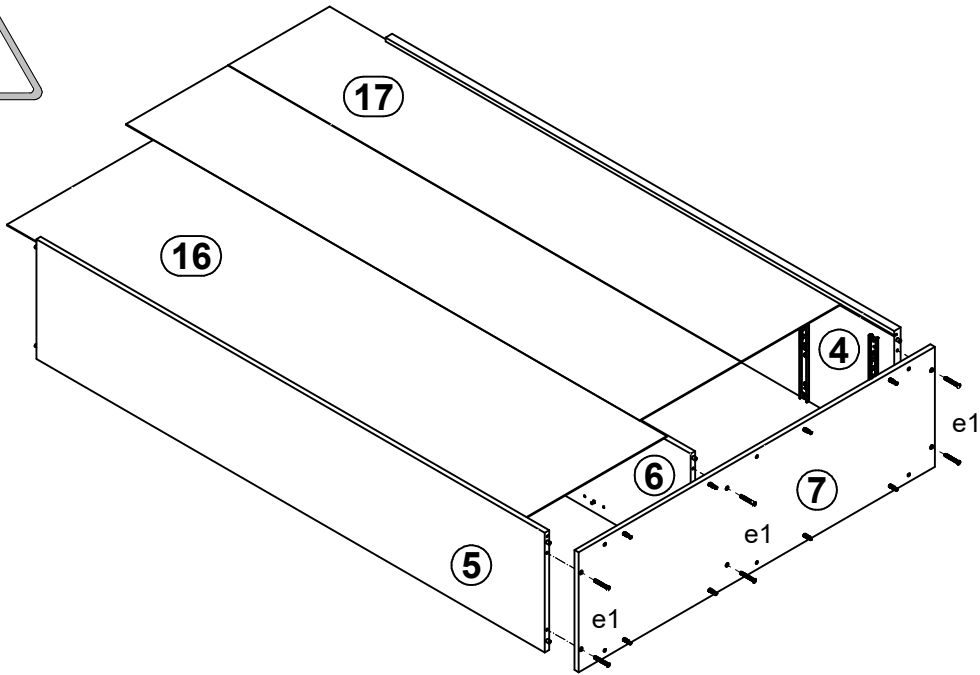
7



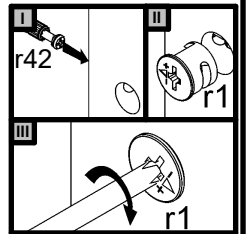
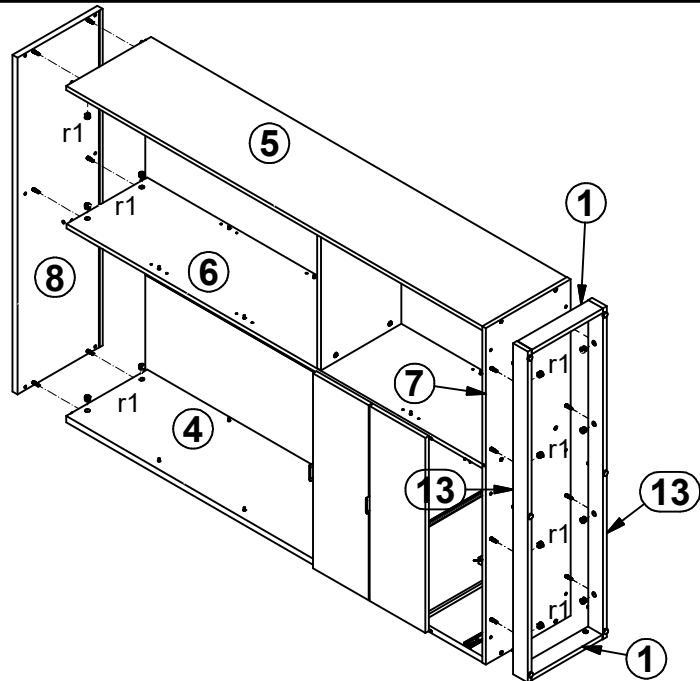
8



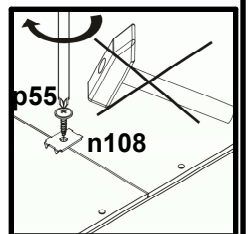
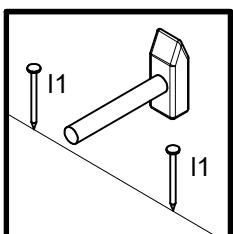
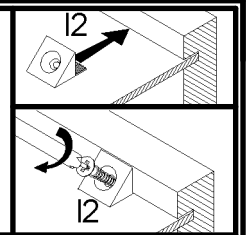
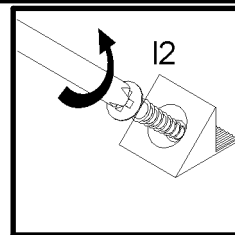
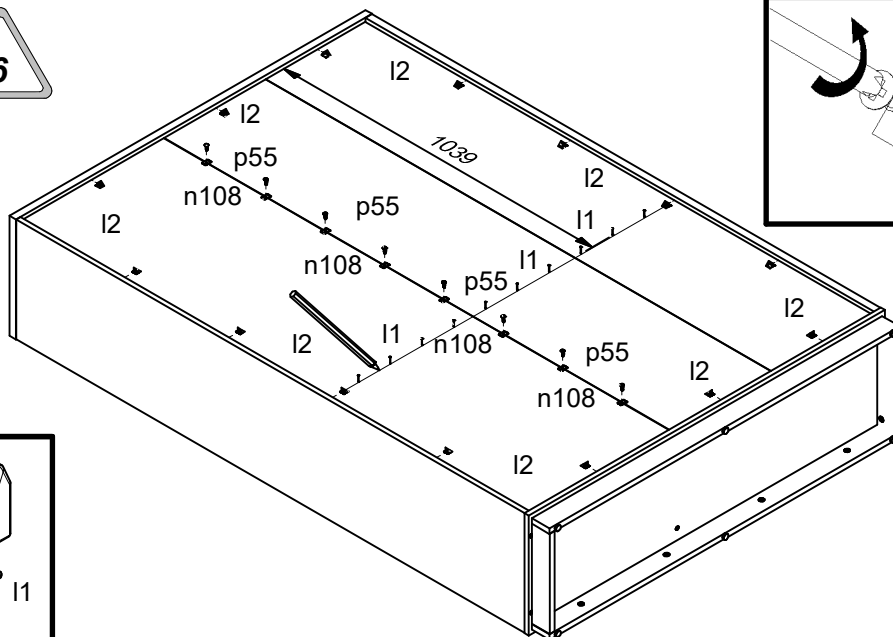
9



10



11



12

