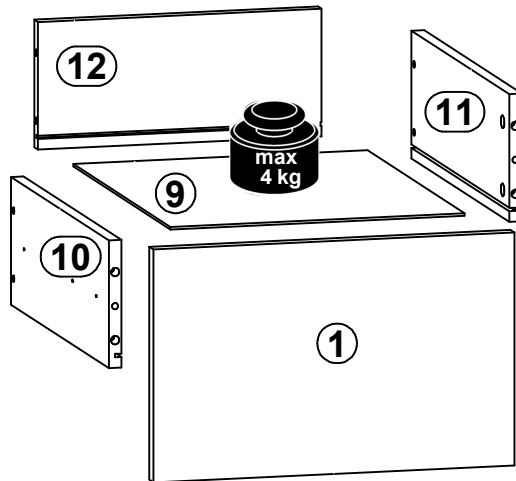
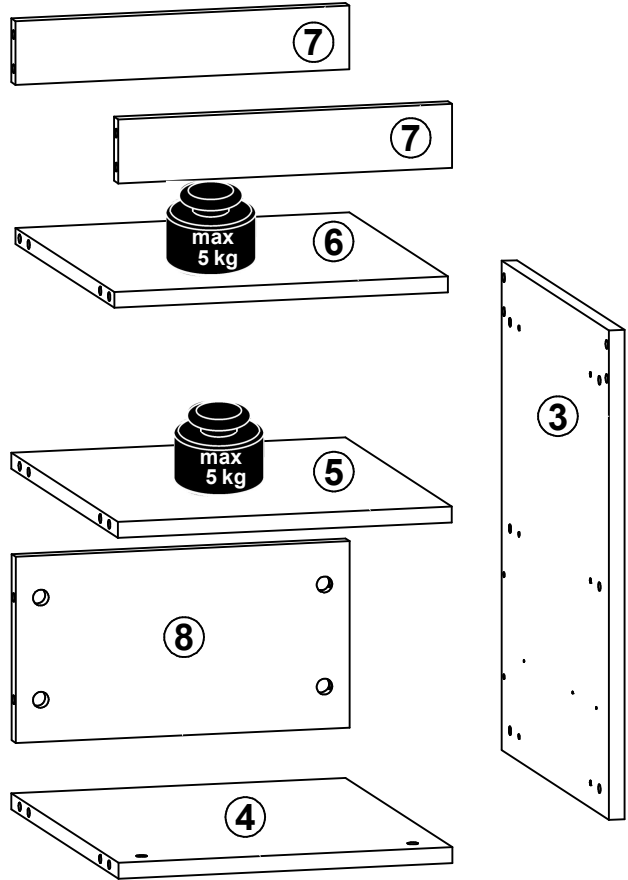
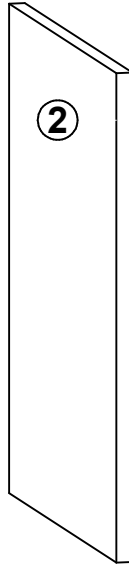
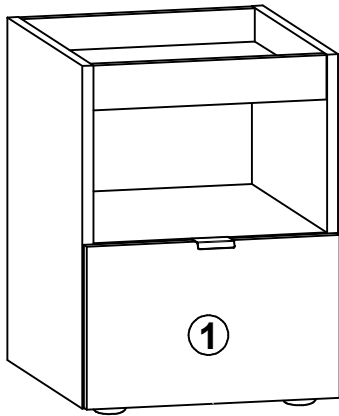


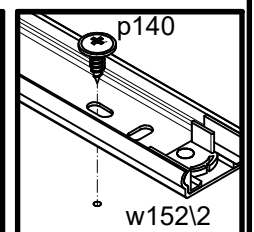
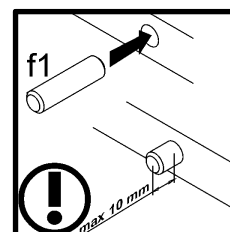
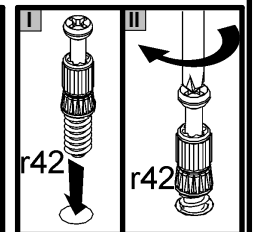
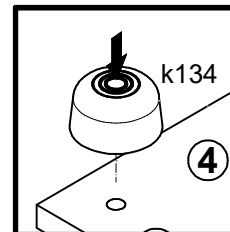
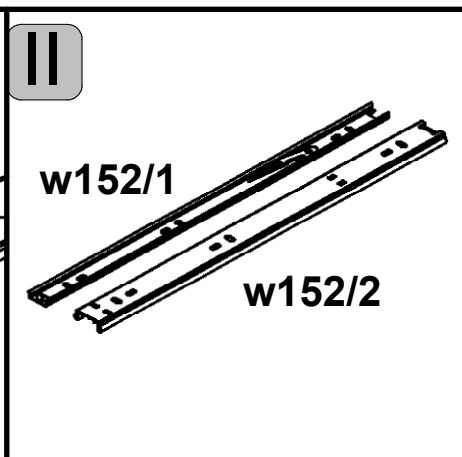
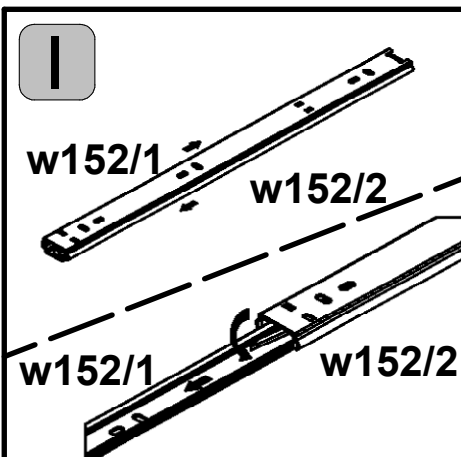
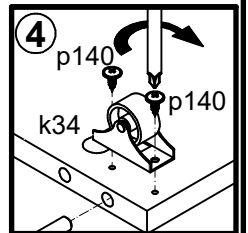
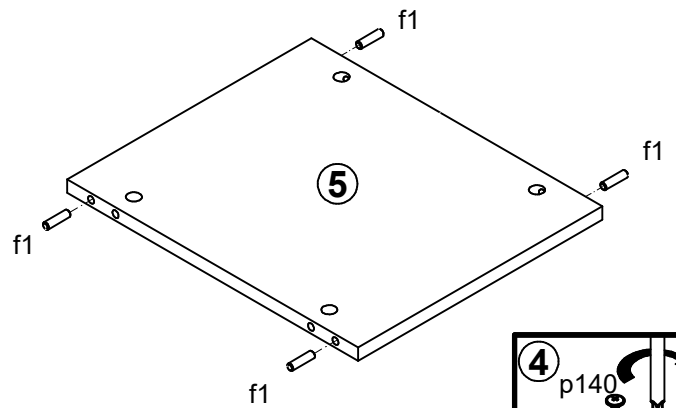
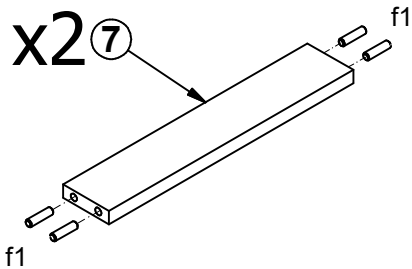
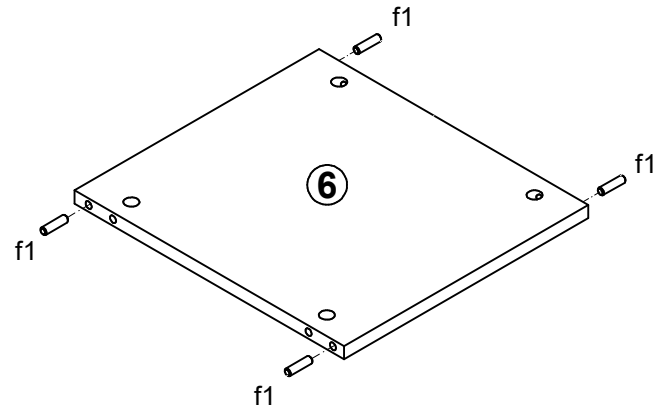
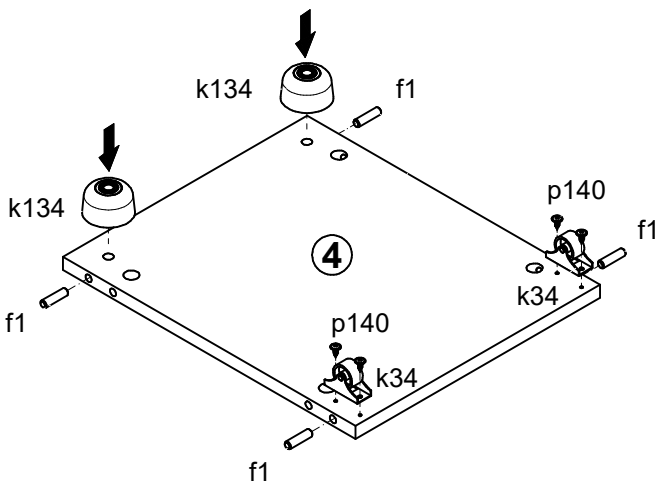
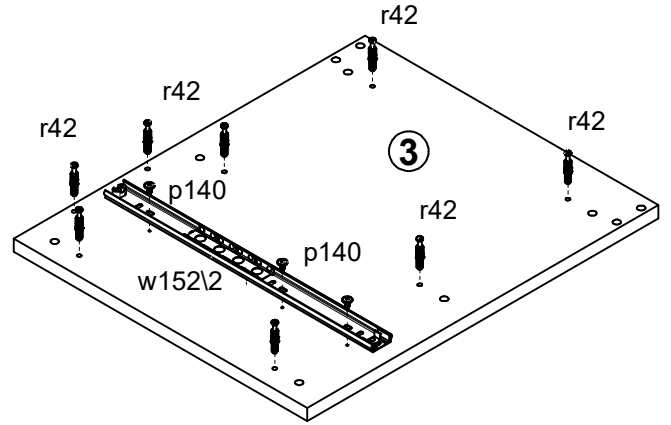
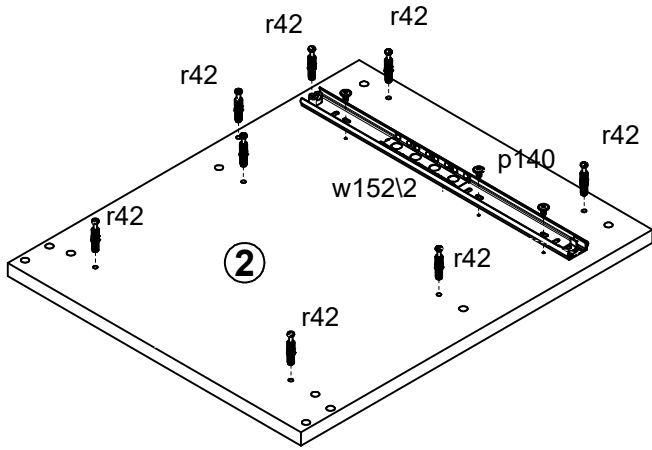
A PRINCETON | DENTON S406/S416-KNT1S

A	B	C	D
1	S406-0002	346	219
2	S406-1007	460	384
3	S406-1008	460	384
4	S406-3005	318	383
5	S406-3006	318	381
6	S406-3007	318	351
7	S406-4004	318	60
8	S406-4006	318	173
9	S406-9002	347	282
10	ZK2-503	350	120
11	ZK2-504	350	120
12	ZS4-5521	272	120

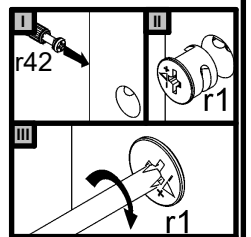
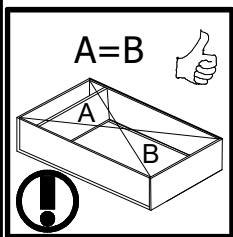
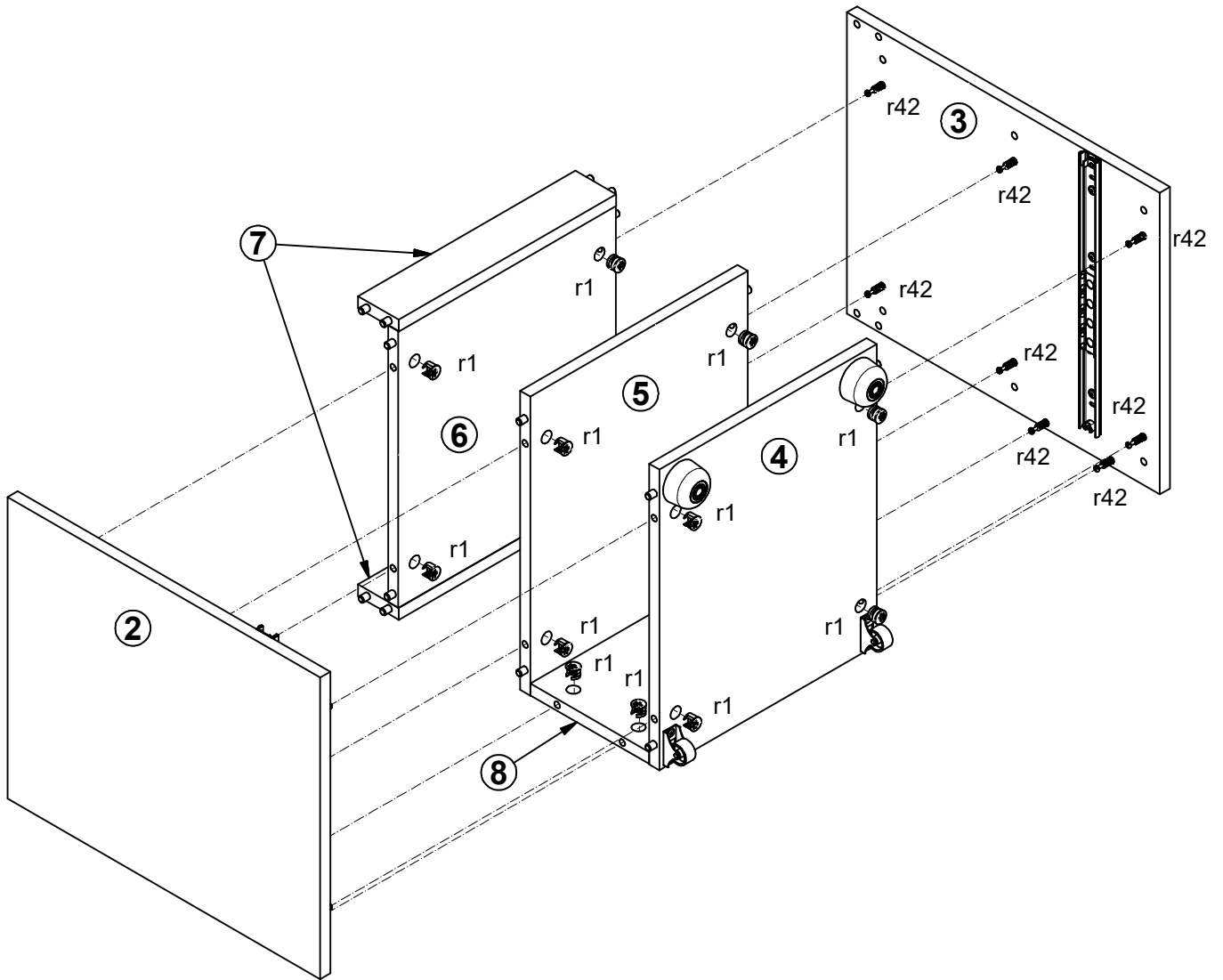


1x 32 mm c478	20x Ø8x30 mm f1	2x Ø6x30 mm f9	4x Ø6,5x40 mm f25	2x Ø25 mm k34	2x Ø49x27/45mm k134	1x silikon o21	2x Ø3,5x14 mm p133	16x Ø3,5x12 mm p140
16x Ø15x12 mm #16 r1	4x r15	20x 20/11 r42	2x 350/580 mm w152/1	2x 350/580 mm w152/2	4x Ø16 s2	1x 4 mm z15		

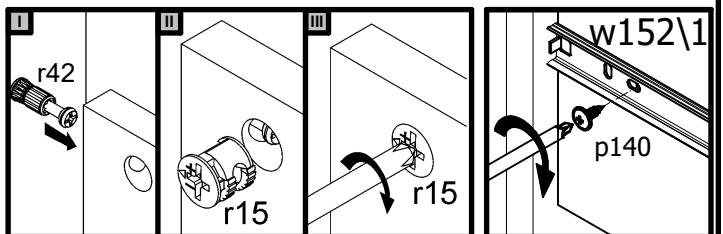
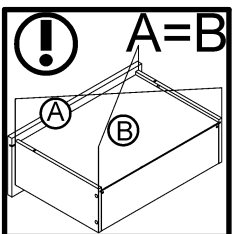
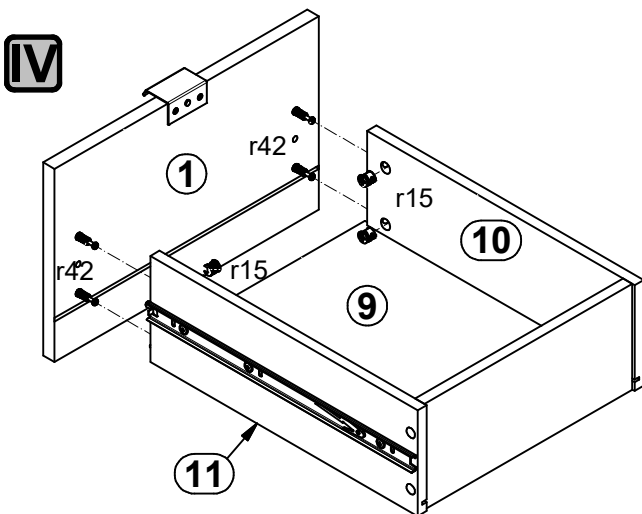
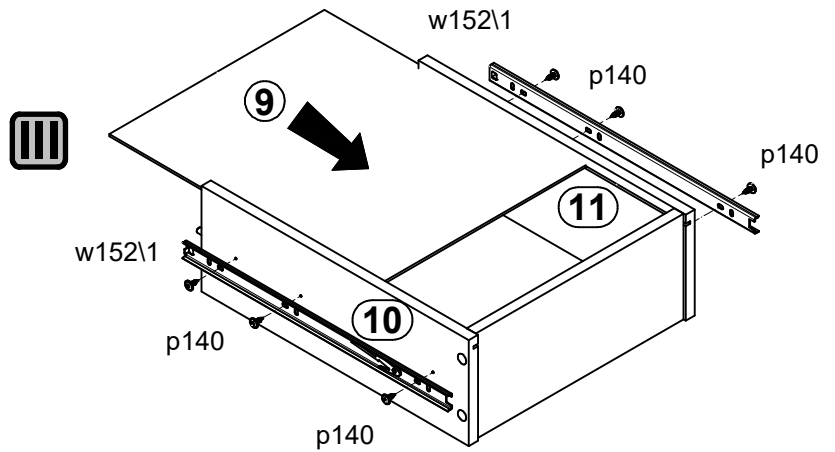
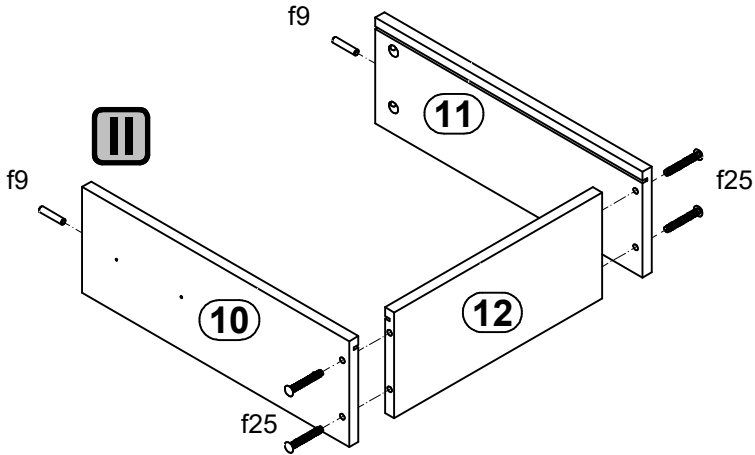
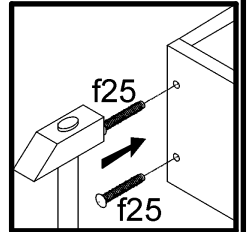
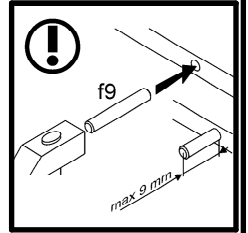
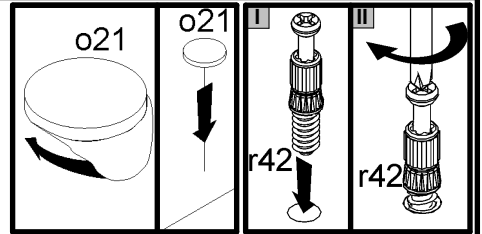
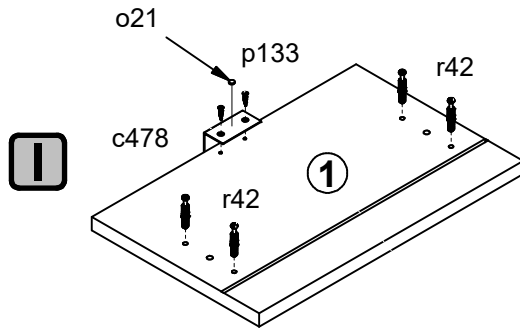
1 



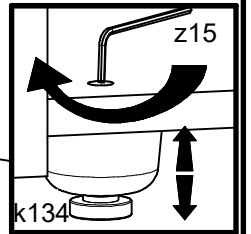
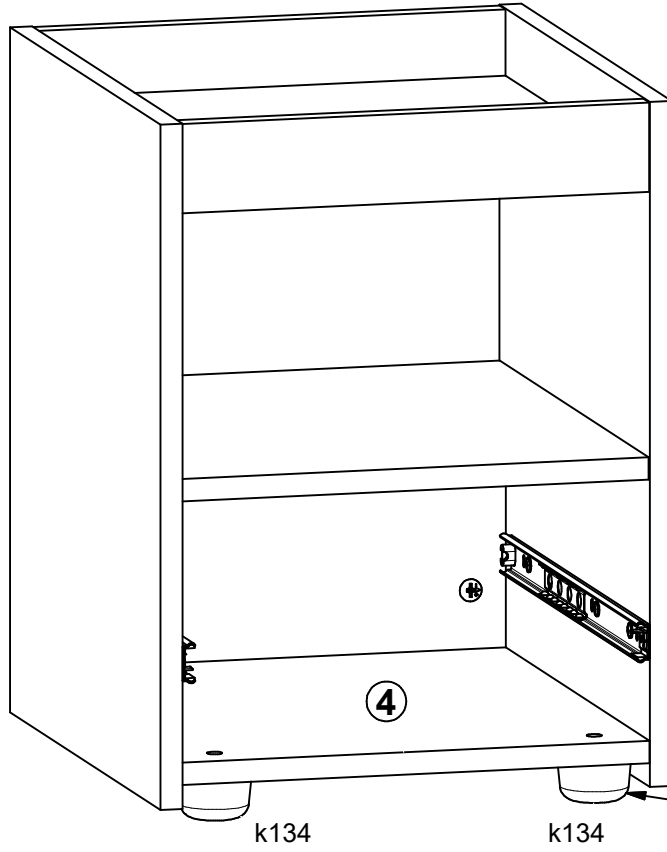
2 



3



4



5

