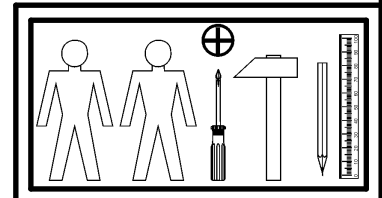
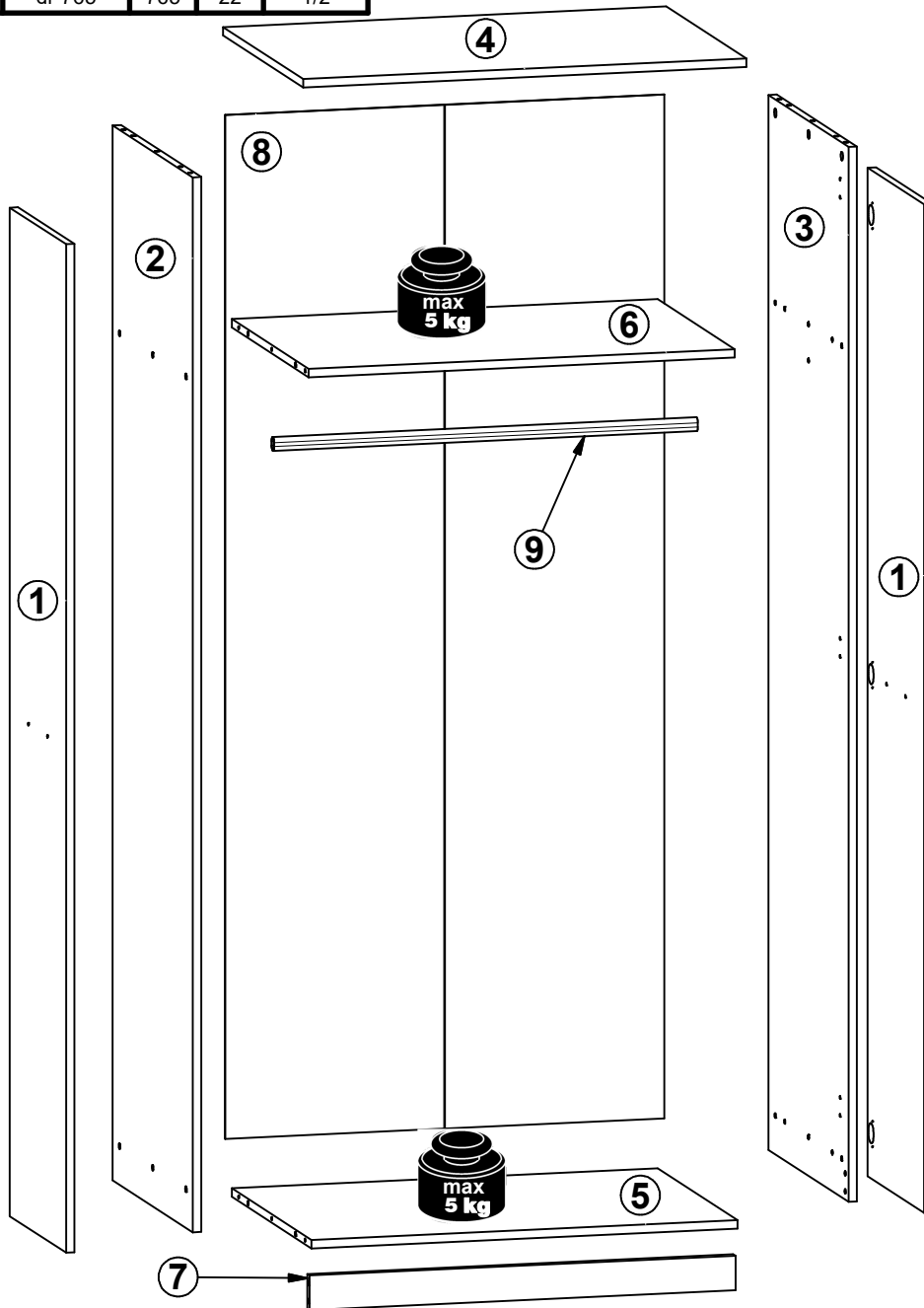
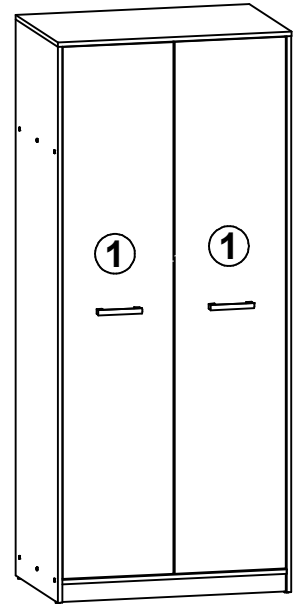
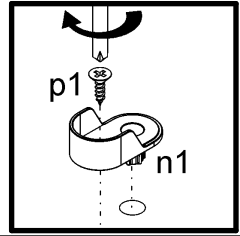
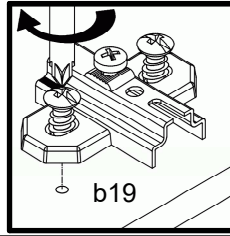
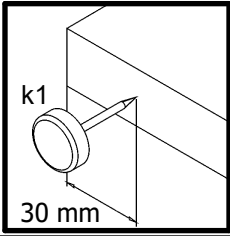
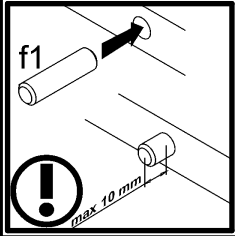
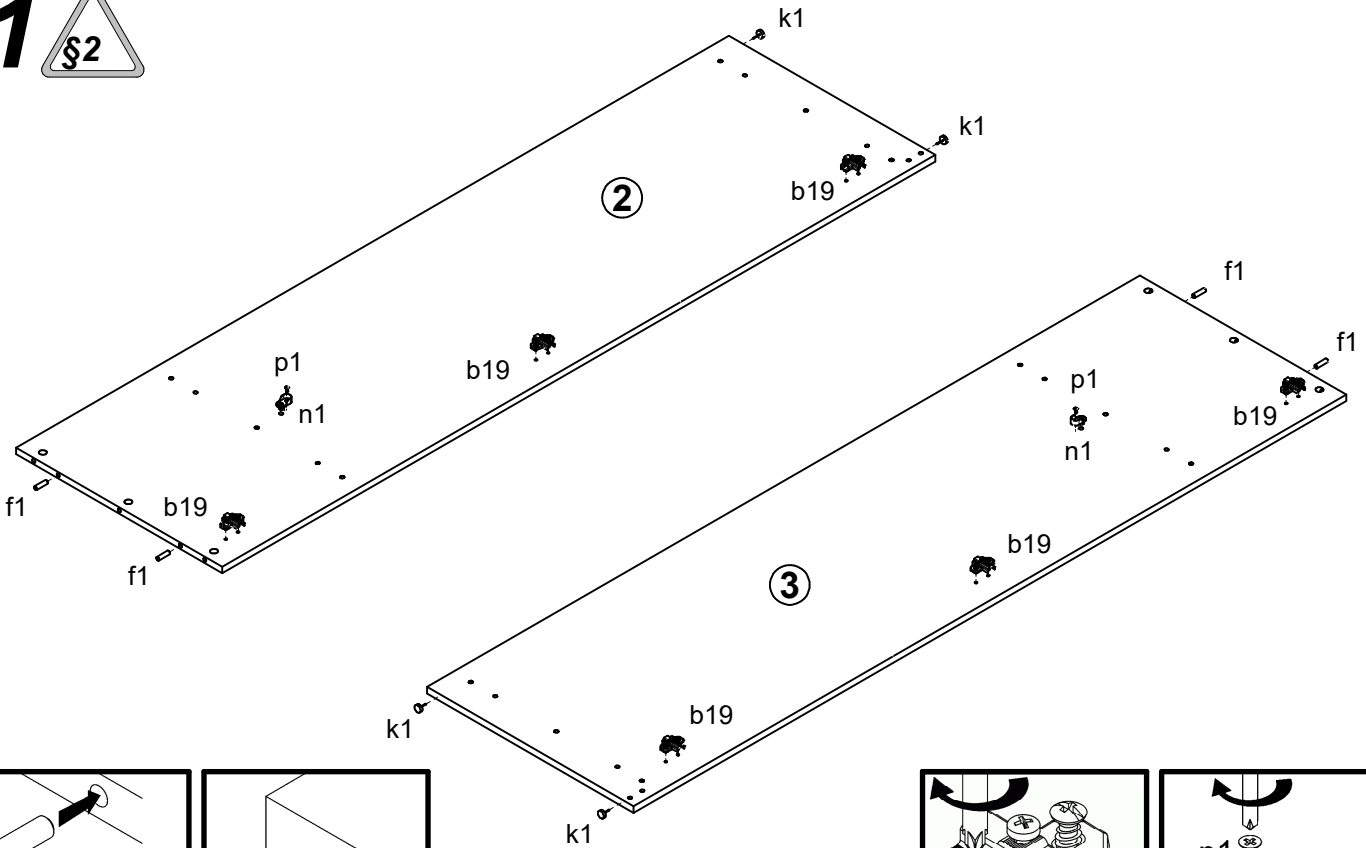


A	B	C	D
1	S414-0005	1785	380 2/2
2	S414-1007	1867	540 1/2
3	S414-1008	1867	540 1/2
4	S414-2003	800	541 1/2
5	S414-3005	769	537 1/2
6	S414-3006	769	519 1/2
7	S414-4002	769	61 1/2
8	S414-9302	1812	793 1/2
9	dr-765	765	22 1/2

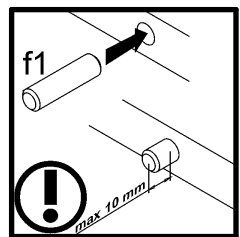
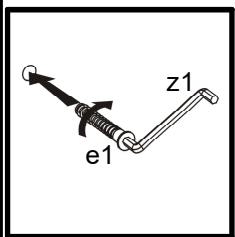
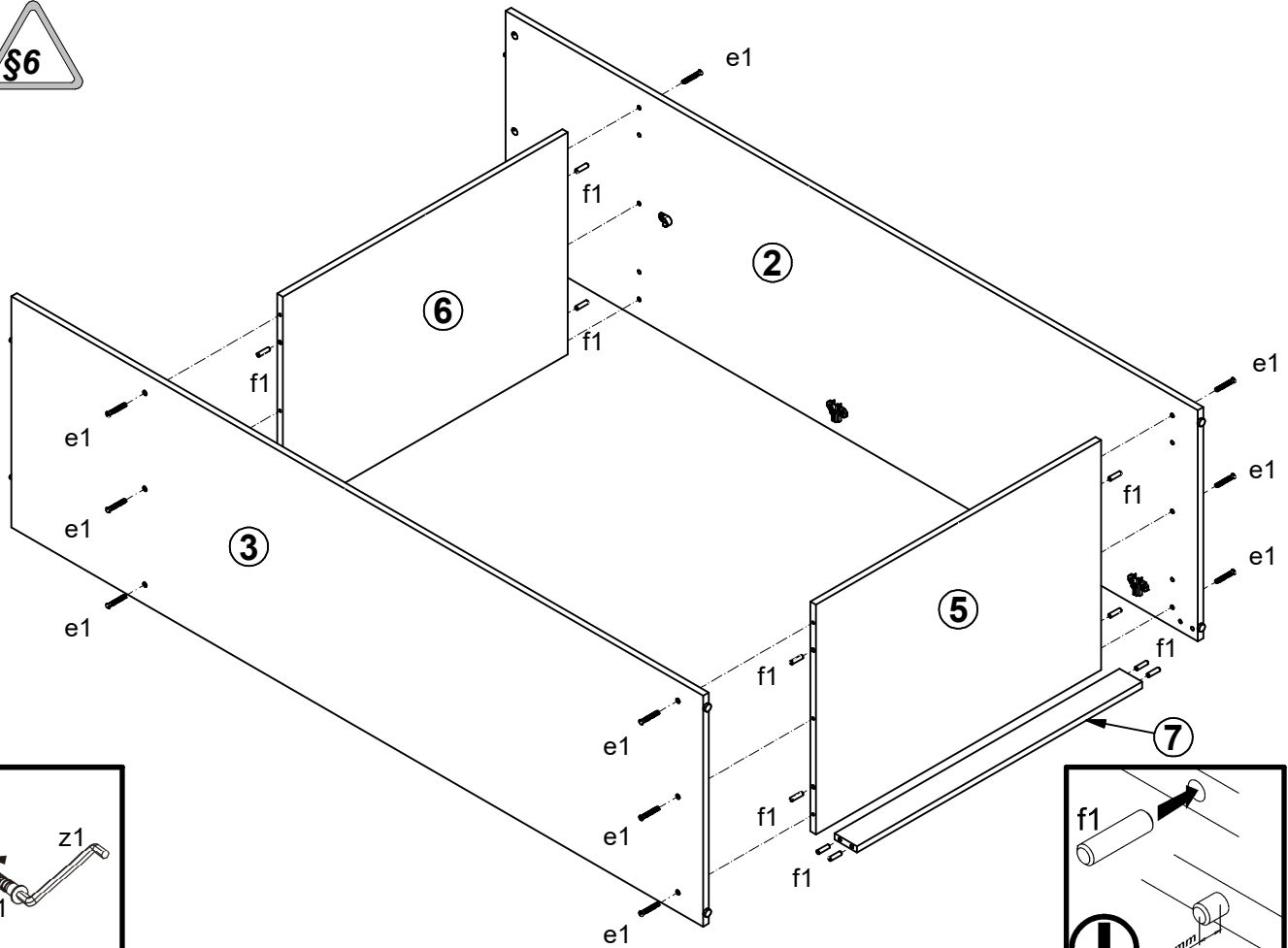


6x K16 a43	6x 05 b19	2x c197 128 mm	12x e1 Ø7x50 mm	16x f1 Ø8x30 mm	4x k1	60x l1 1.4x20 mm	2x n1 h=22mm	2x p1 Ø3.5x13 mm
12x Ø3.5x15 mm p51	4x Ø4x25 mm p87	6x Ø15x12 mm #16 r1	6x 20x11 r42	12x s1	6x Ø16 s2	1x z1 4 mm		
							1x n26\1	1x Ø3.5x16 mm p38

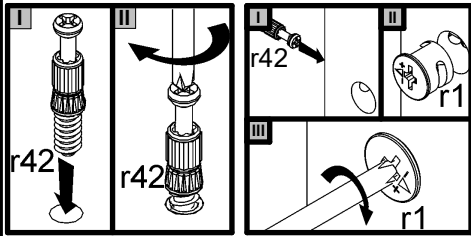
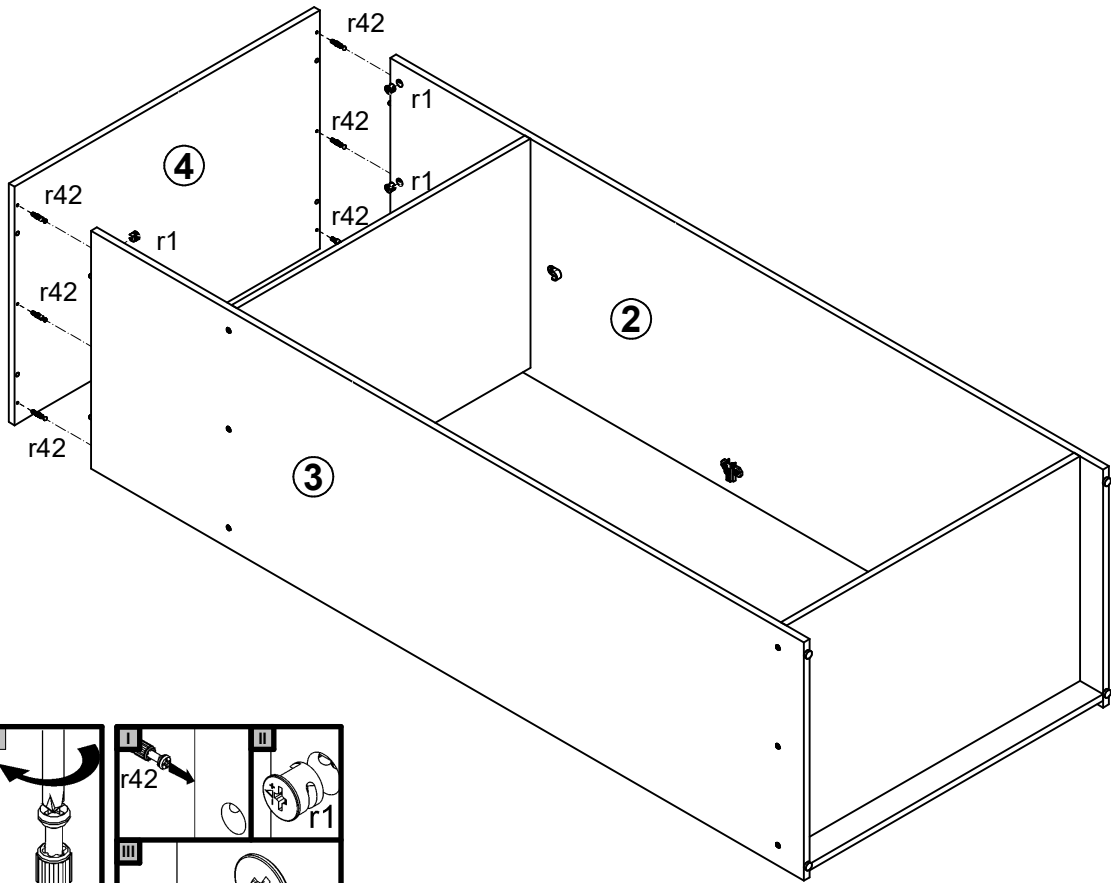
1



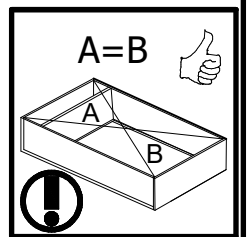
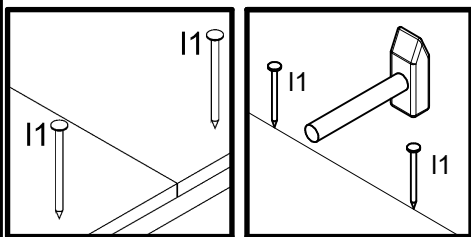
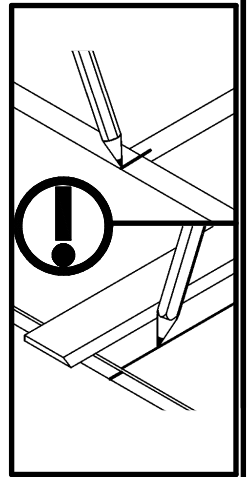
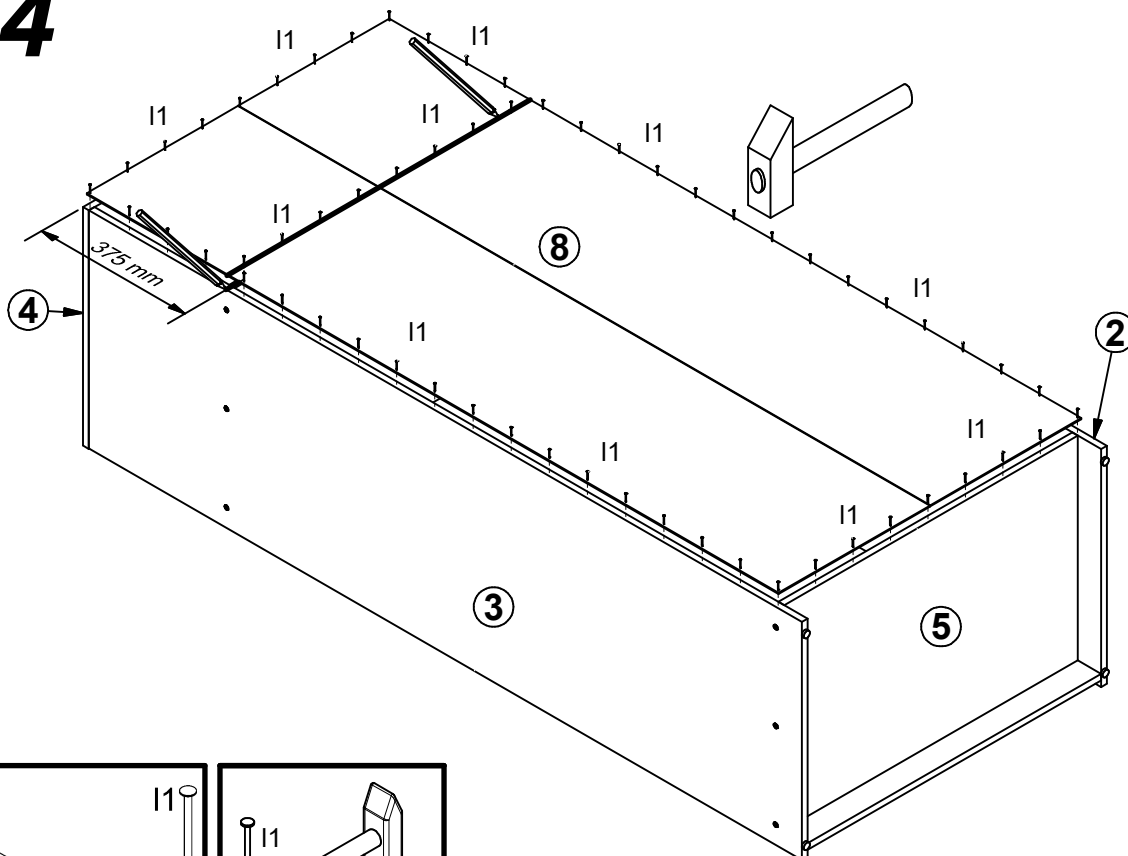
2



3



4



5

