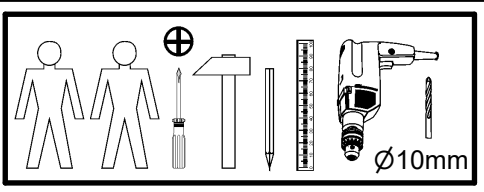
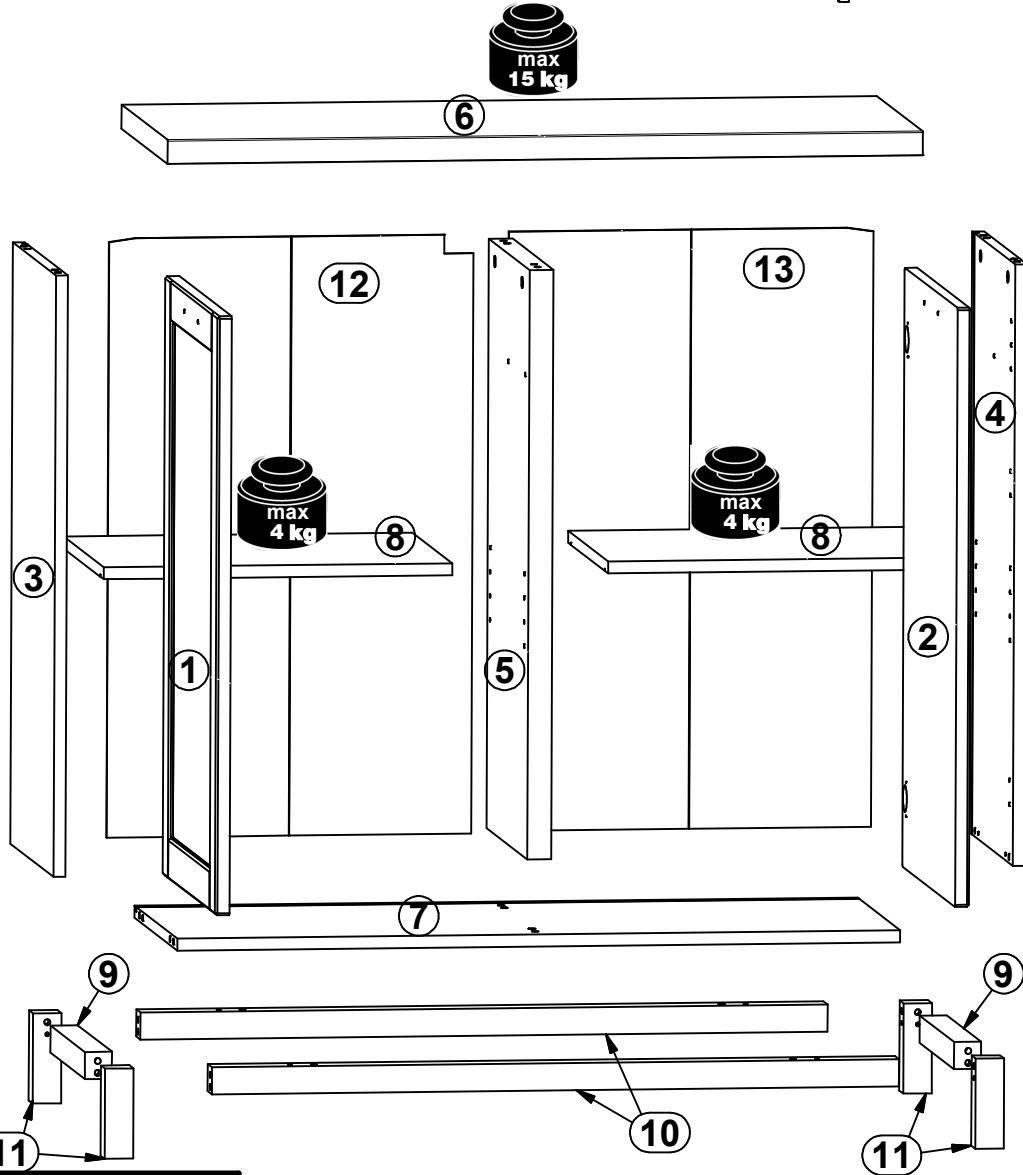
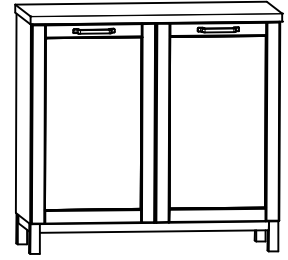
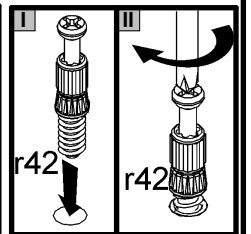
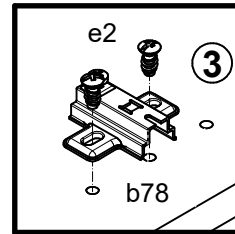
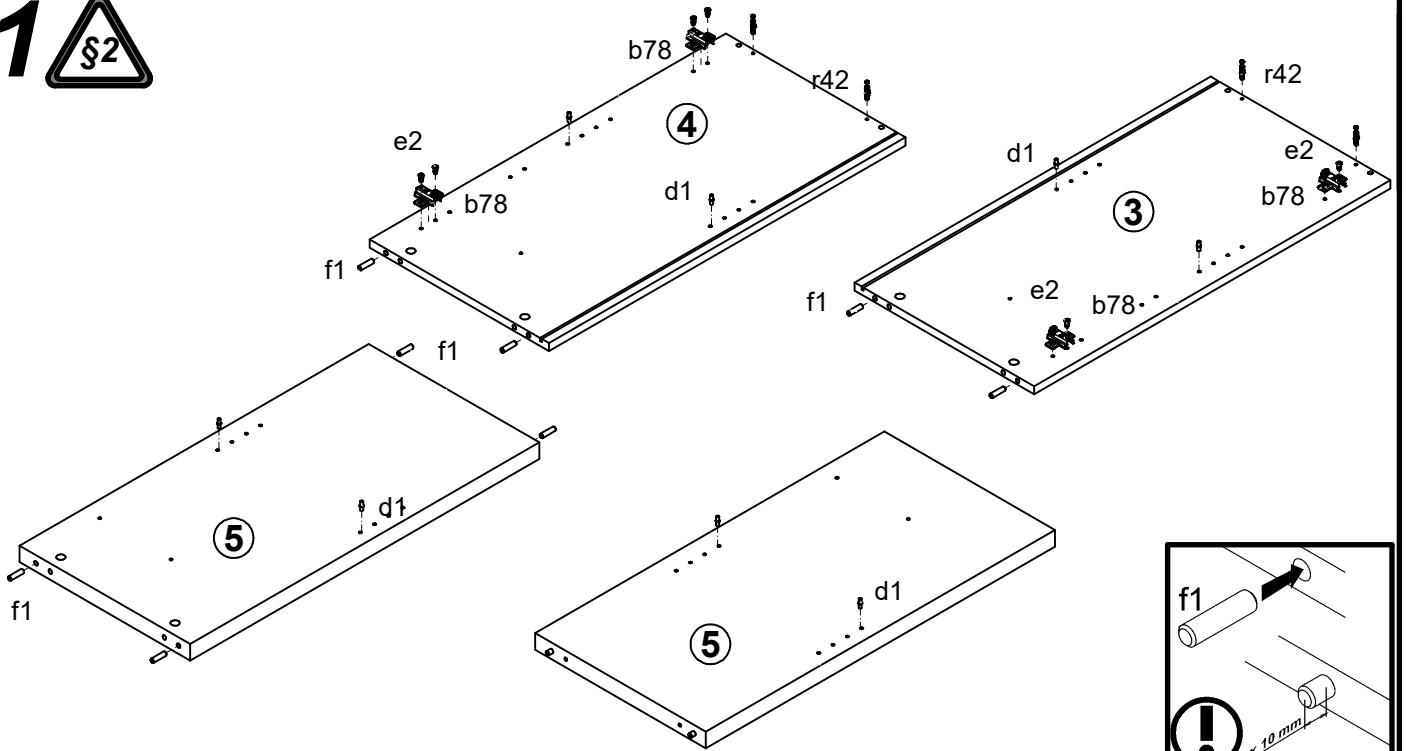


A	B	C	D	A	B	C	D		
1	S369-0006	797	496	3/3	8	S369-3003	466	377	3/3
2	S369-0007	797	496	3/3	9	S369-4002	323	36	2/3
3	S369-1003	800	403	1/3	10	S369-4003	918	40	2/3
4	S369-1004	800	403	1/3	11	S369-5004	120	38	2/3
5	S369-1005	784	383	1/3	12	S369-9302	797	487	1/3
6	S369-2002	1009	432	1/3	13	S369-9303	797	487	1/3
7	S369-3002	966	403	1/3					

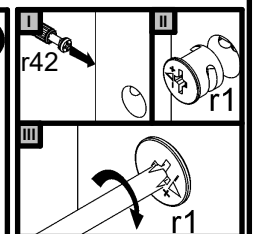
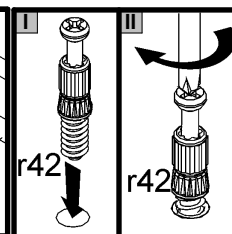
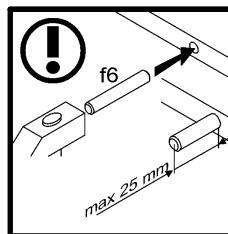
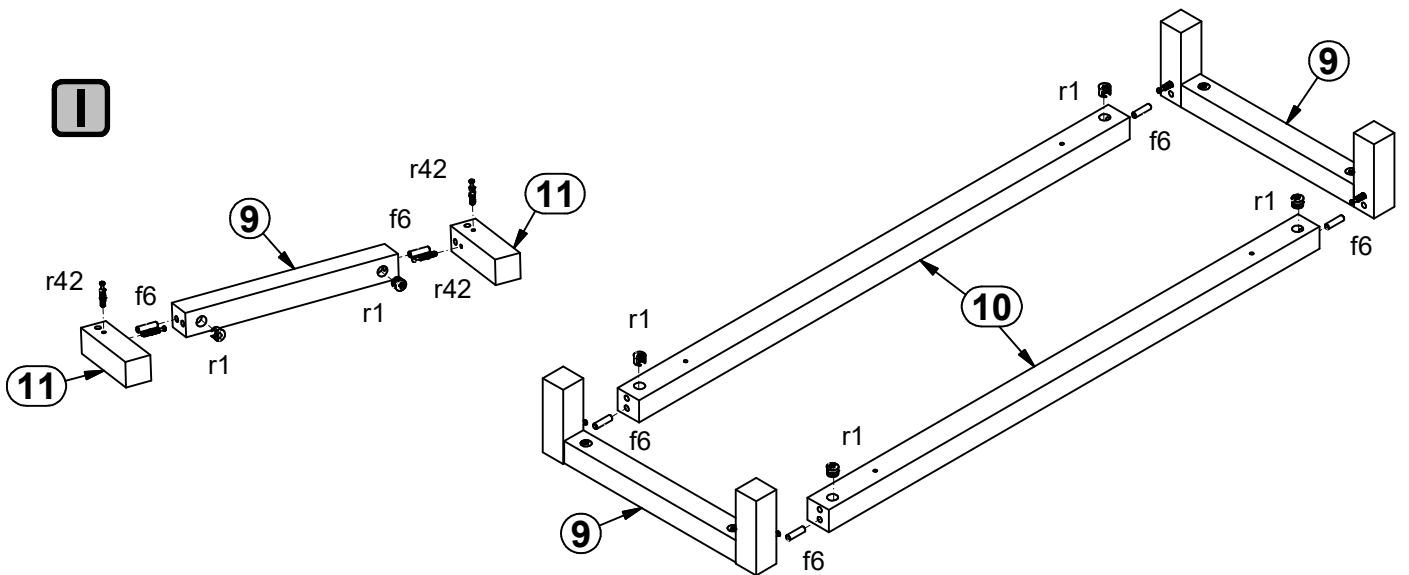


2x a133	4x a158	4x b78	2x c454 128mm	8x d1 Ø5x17 mm	2x e1 Ø7x50 mm	8x e2 Ø6,3x13 mm	4x p12 Ø4x50 mm	16x f1 Ø8x30 mm
1x f35 Ø10x50 mm	4x j11 M4x28 mm	1x n14/2 89x21x15/1,5	1x p17 Ø5x60 mm	2x p38 Ø3,5x16 mm	8x p51 Ø3,5x15 mm	18x r1 Ø15x12 mm #16	18x r42 20/11	6x s68 Ø 20mm
4x n108 20x13x3,5/1	4x p55 Ø2,9x16 mm	8x f6 Ø8x50 mm	12x l2	1x z1 4 mm				

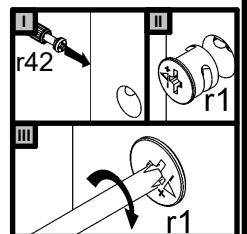
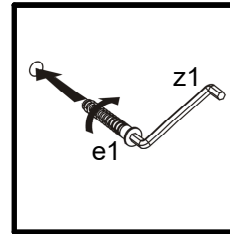
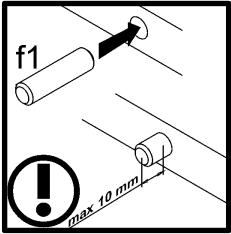
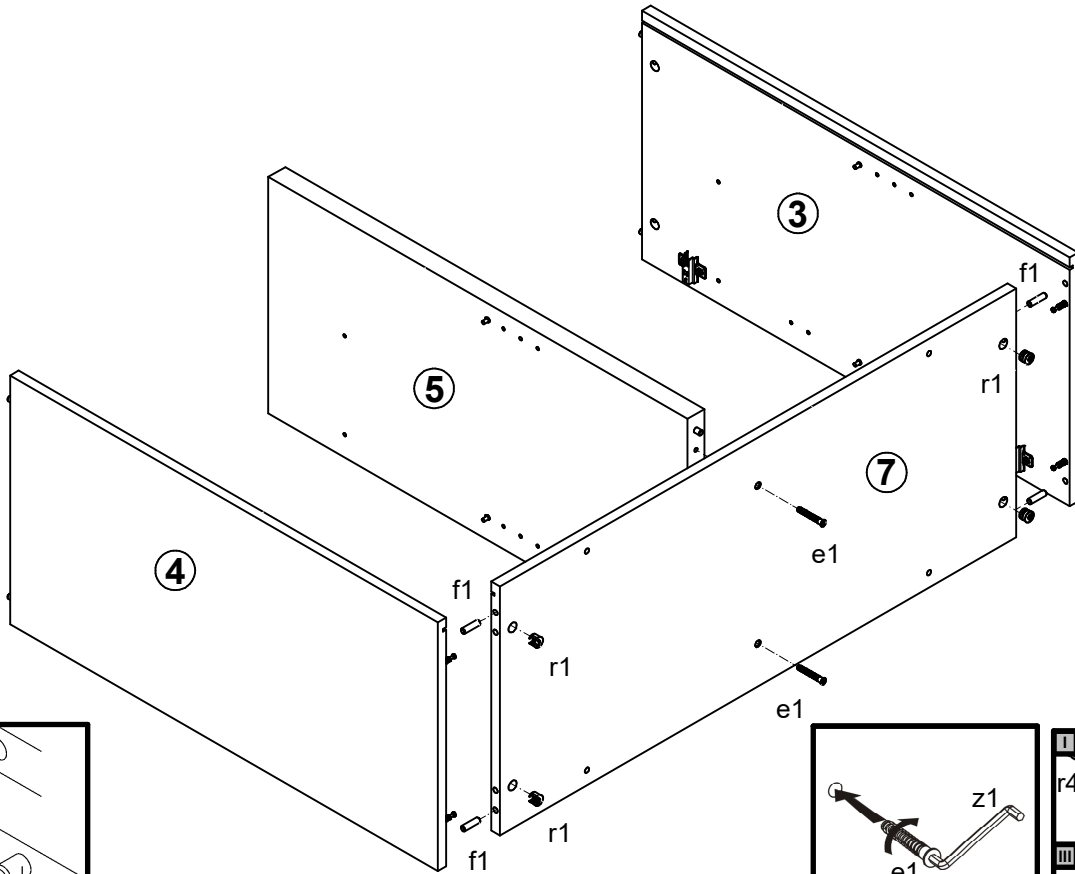
1



2



3



4

