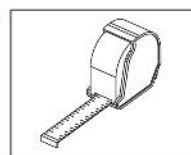
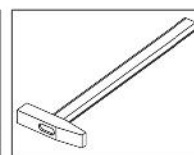
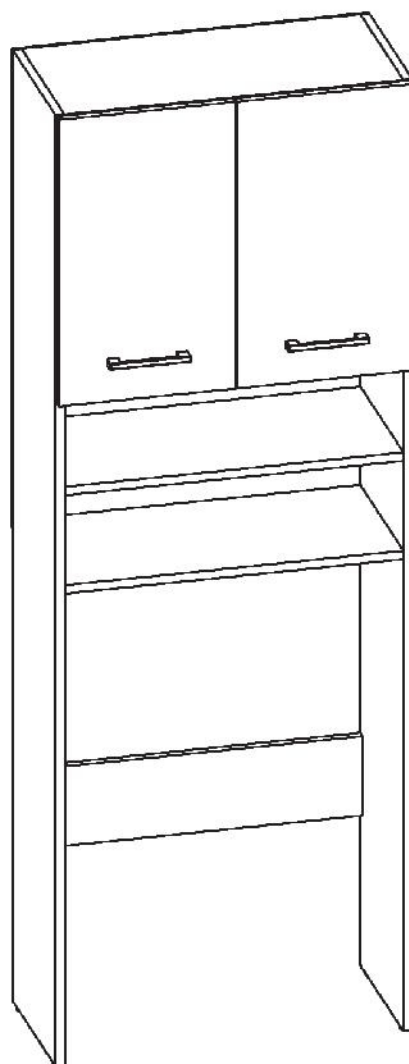
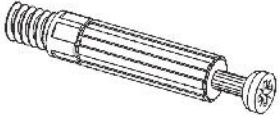


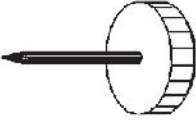
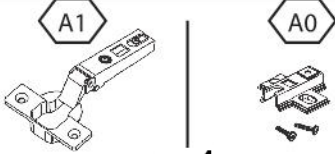



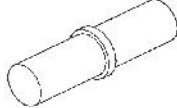

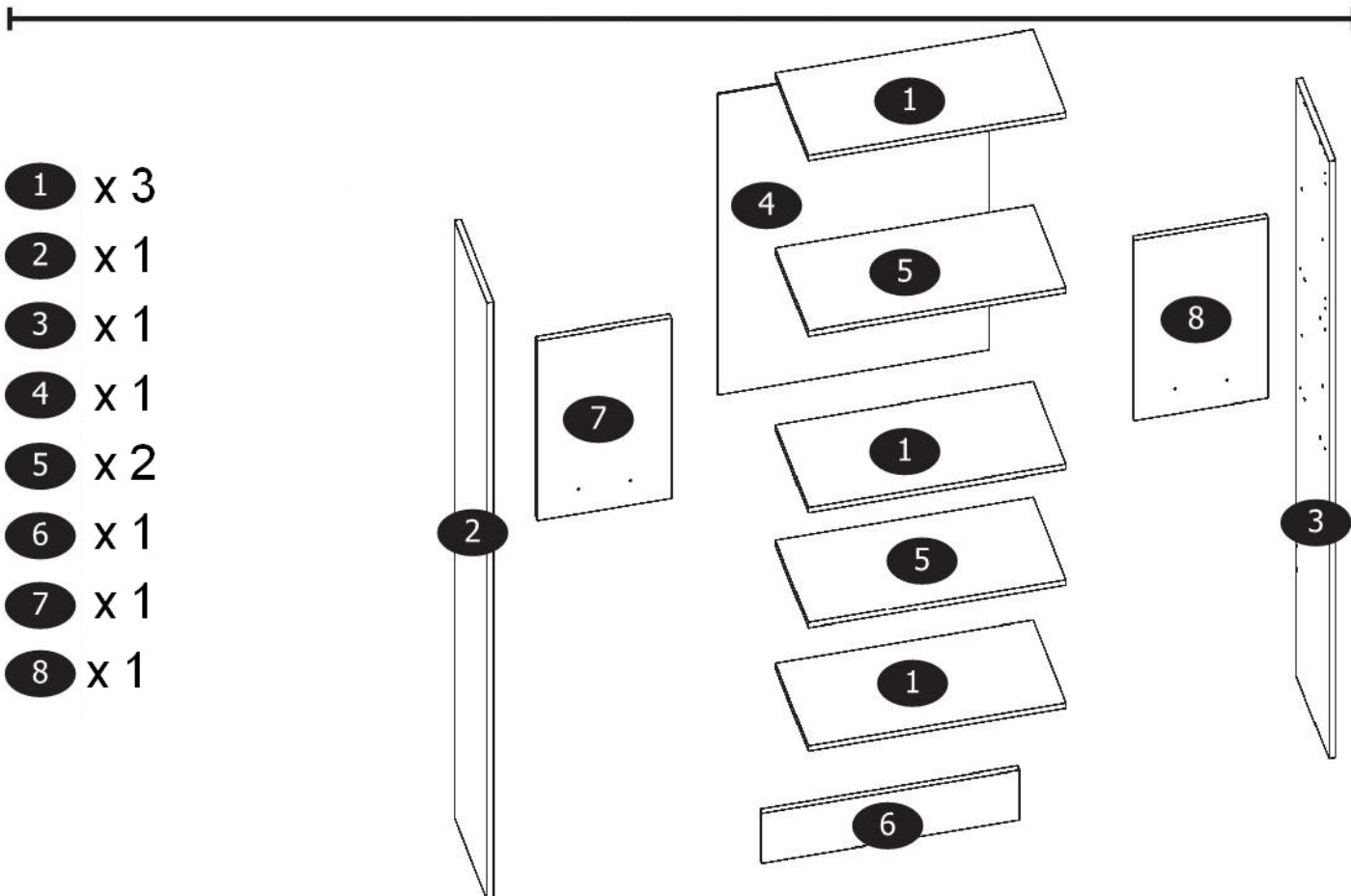


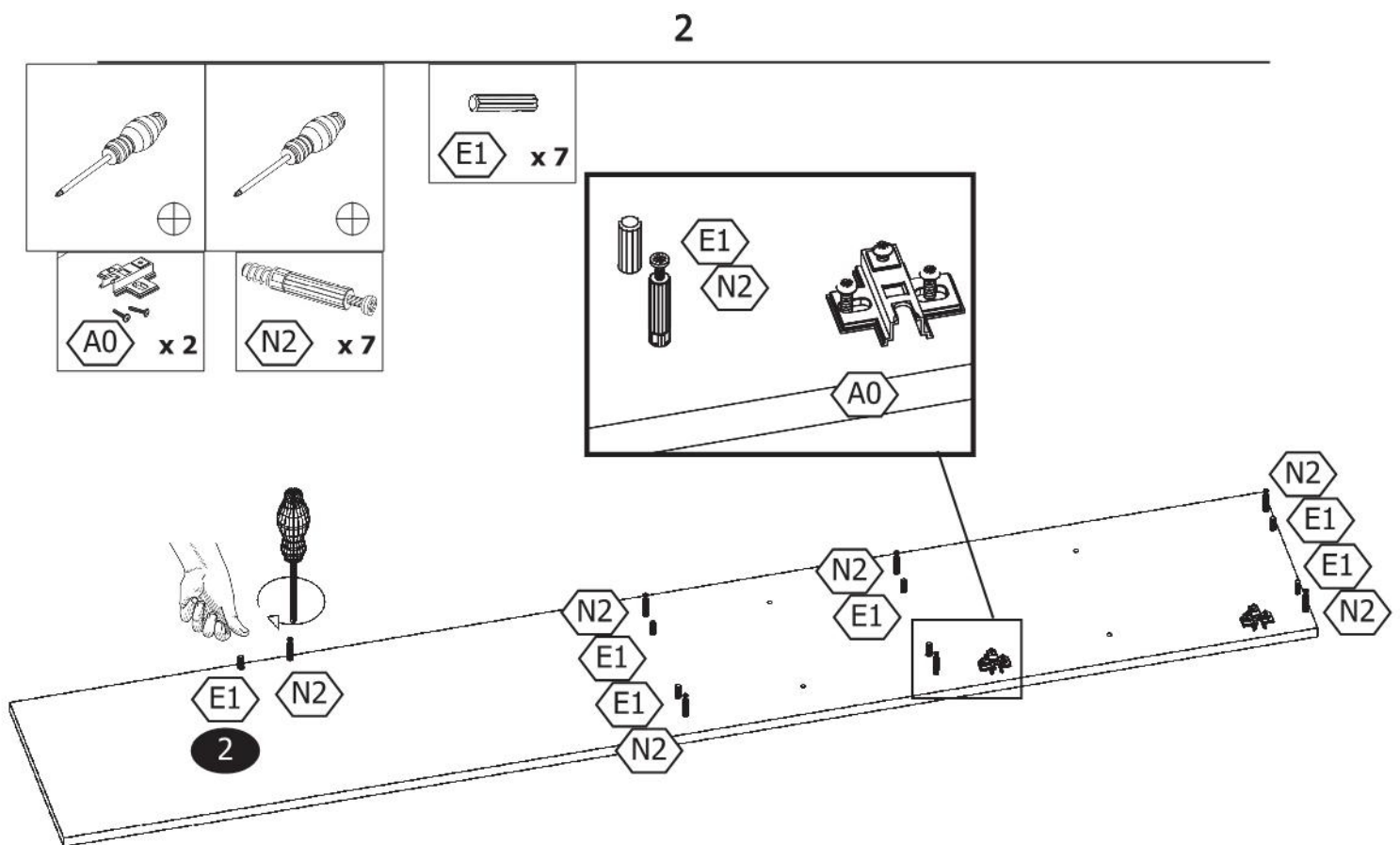
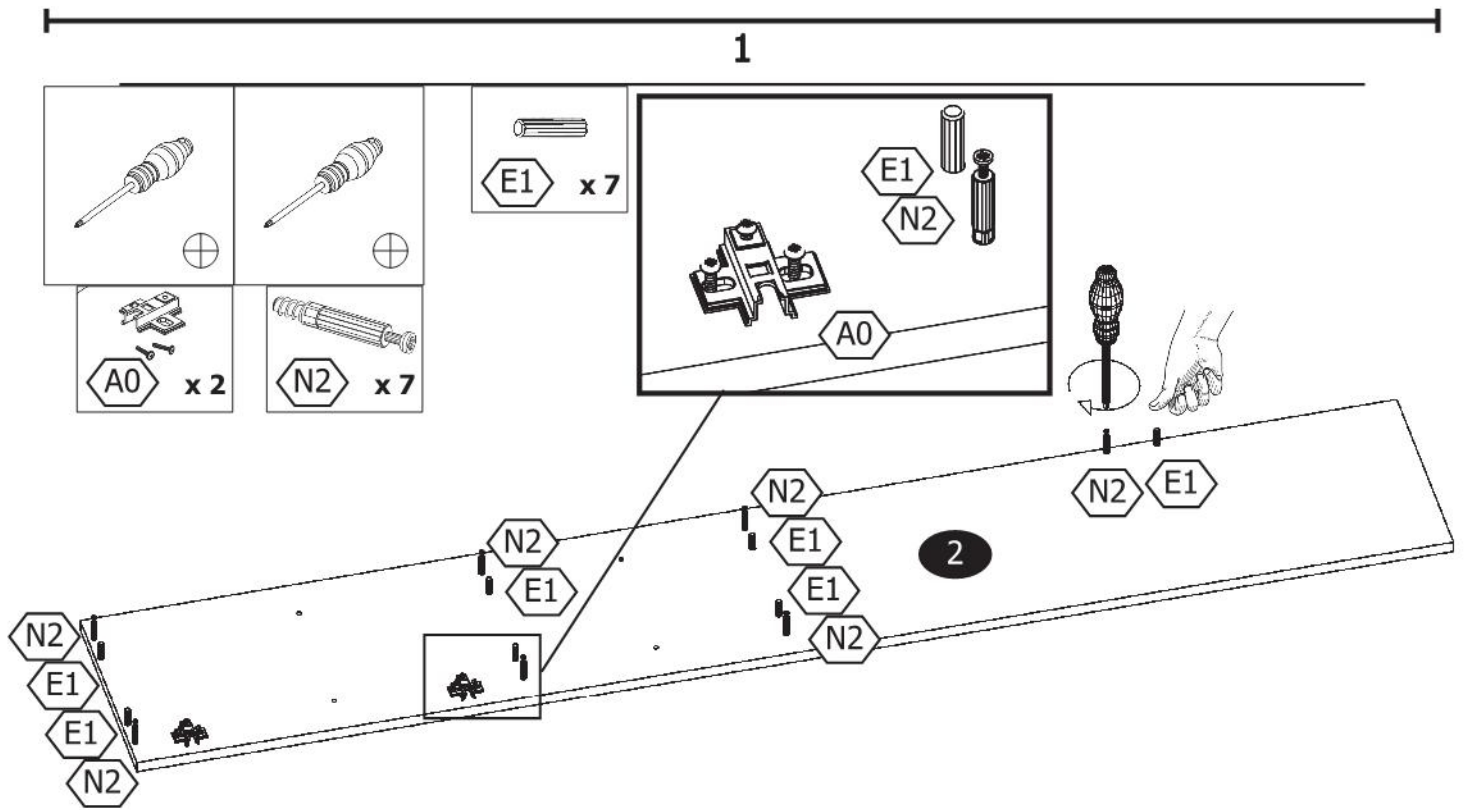
# POLA



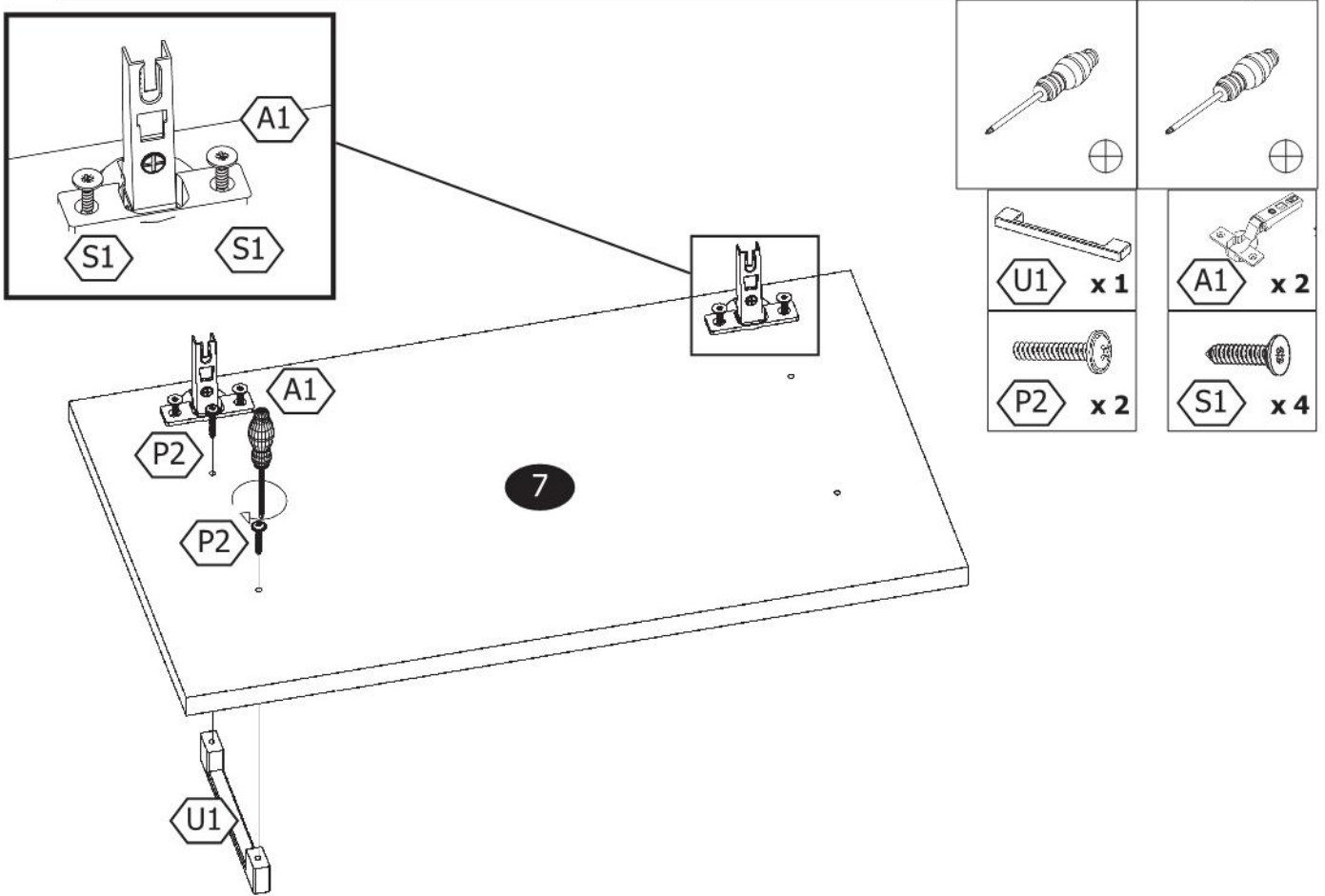
 <p><b>N2</b> x 14</p>	 <p><b>E1</b> x 14</p>	 <p><b>M3</b> x 14</p>
 <p><b>T1</b> x 4</p>	 <p><b>A1</b>   <b>A0</b> x 4</p>	 <p><b>S1</b> x 8 <small>3,5x16</small></p>
 <p><b>U1</b> x 2</p>	 <p><b>P2</b> x 4</p>	 <p><b>D2</b> x 8</p>
 <p><b>Z2</b> x 20</p>		



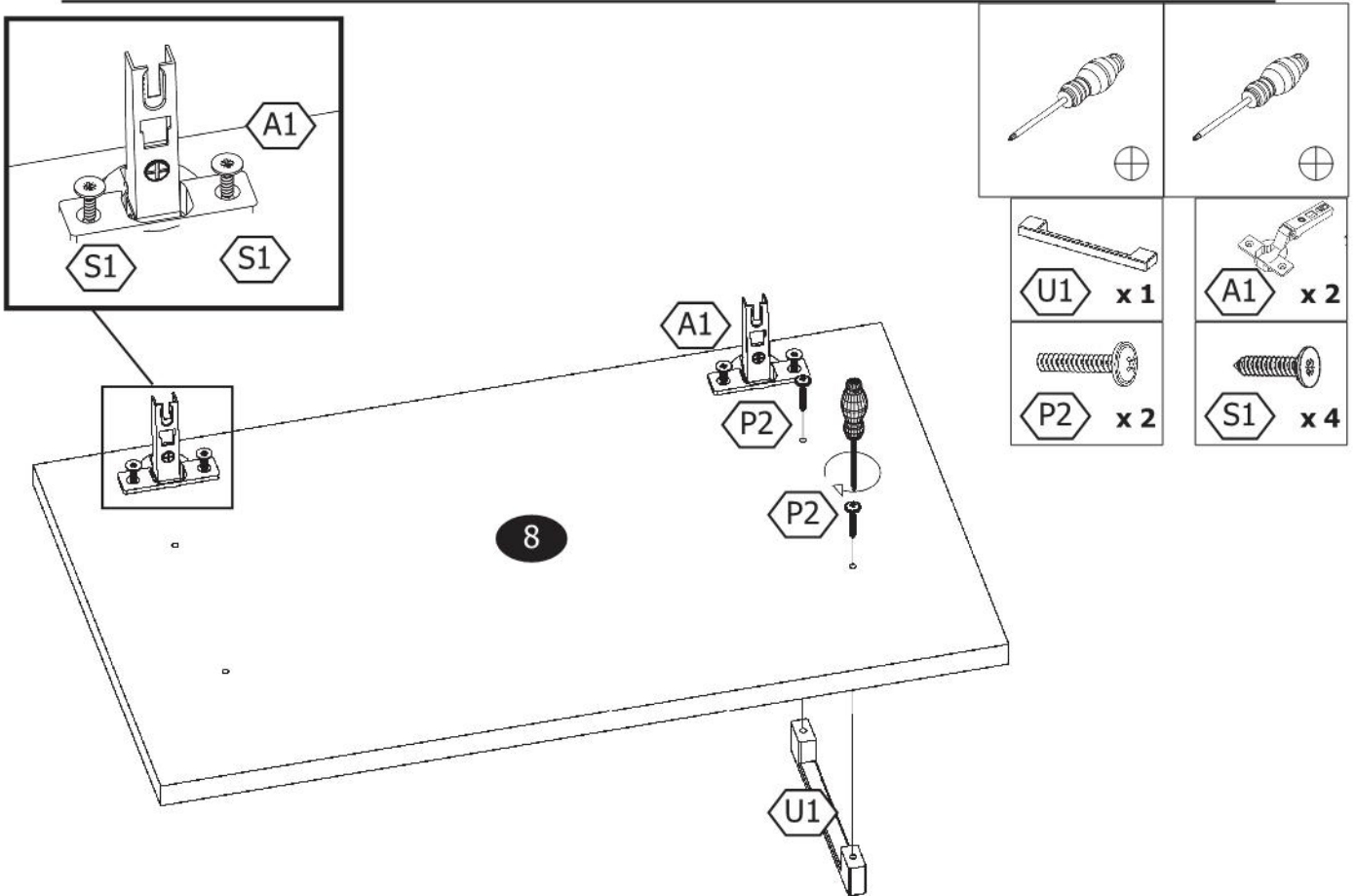
- 1 x 3
- 2 x 1
- 3 x 1
- 4 x 1
- 5 x 2
- 6 x 1
- 7 x 1
- 8 x 1



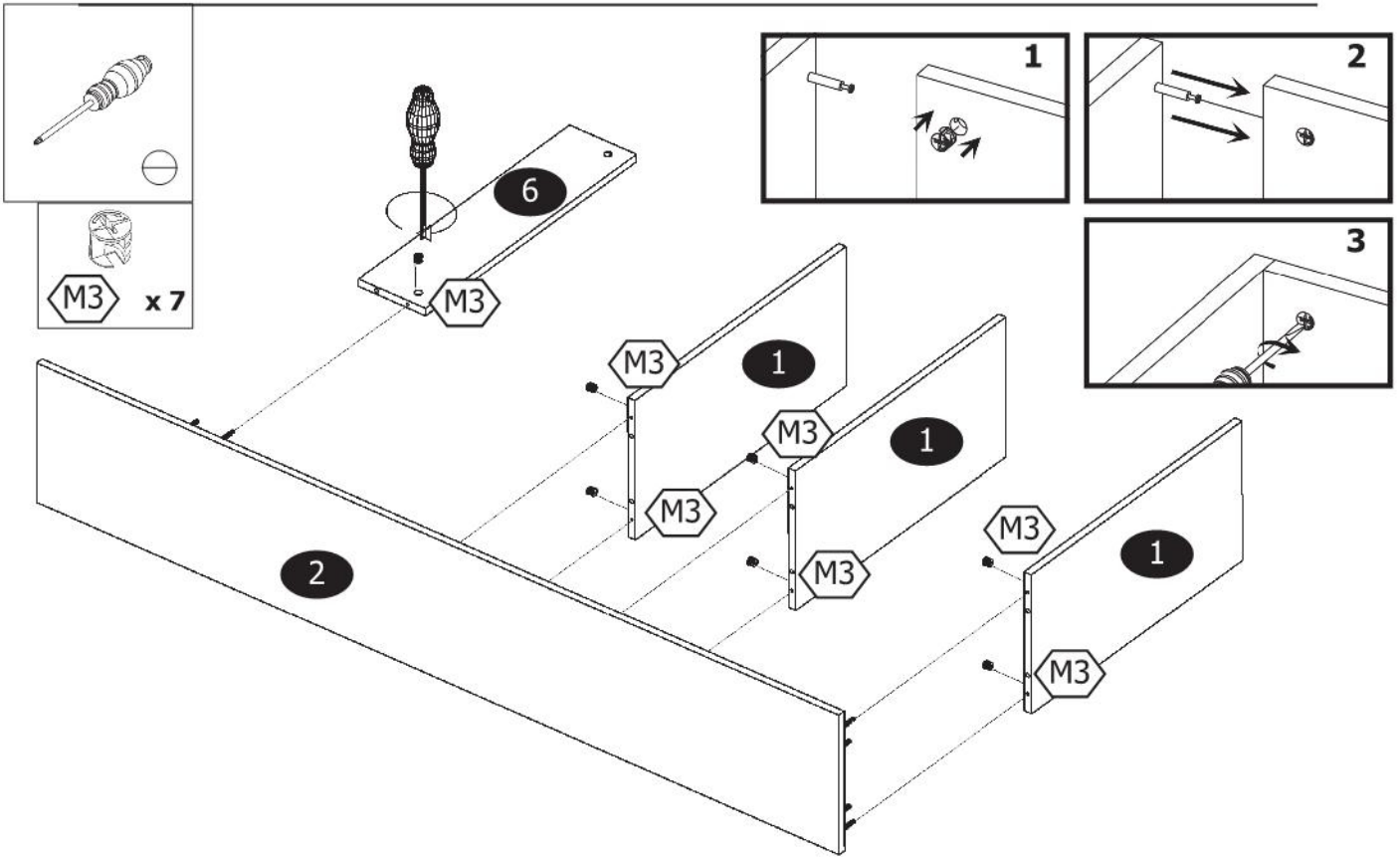
3



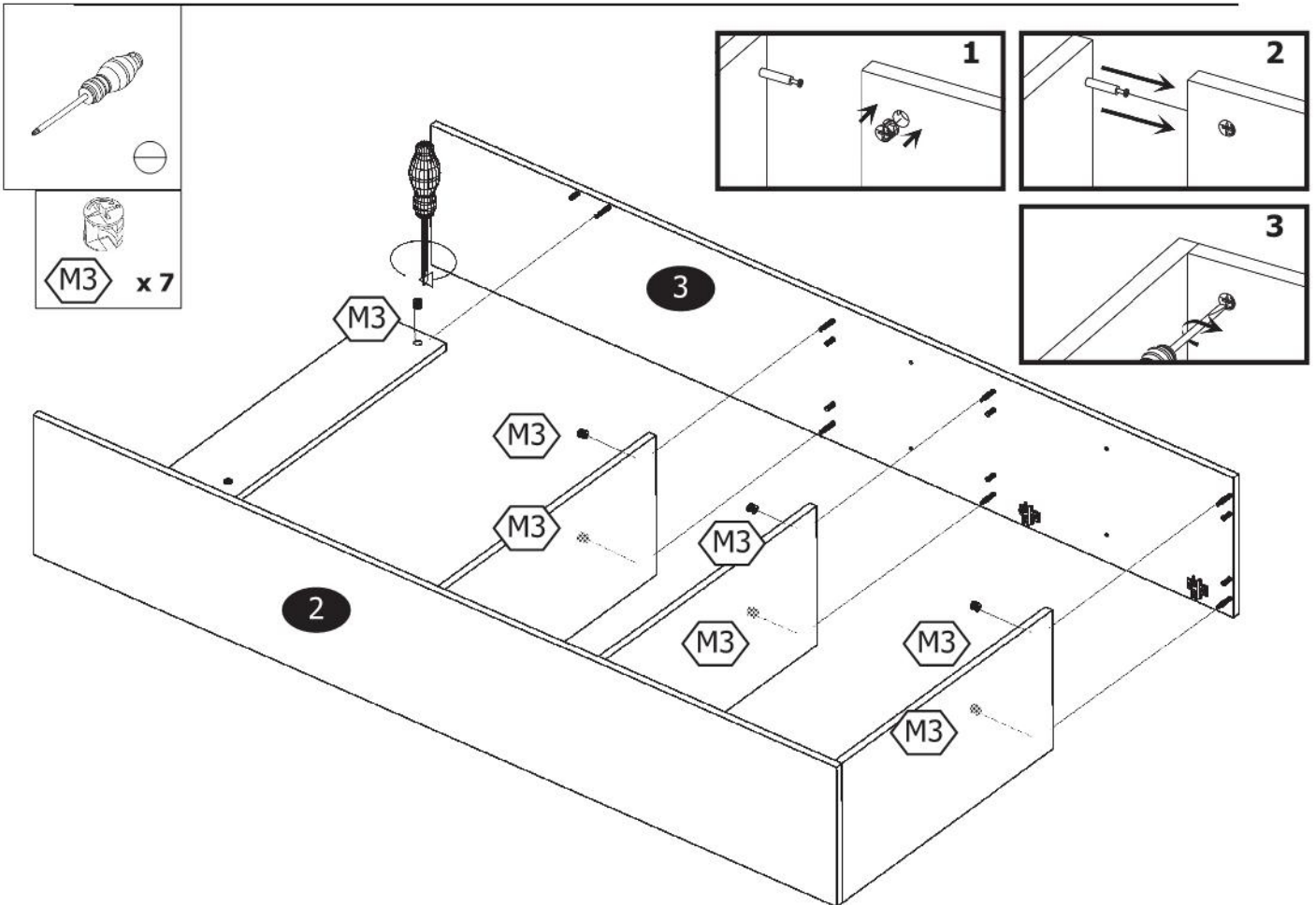
4



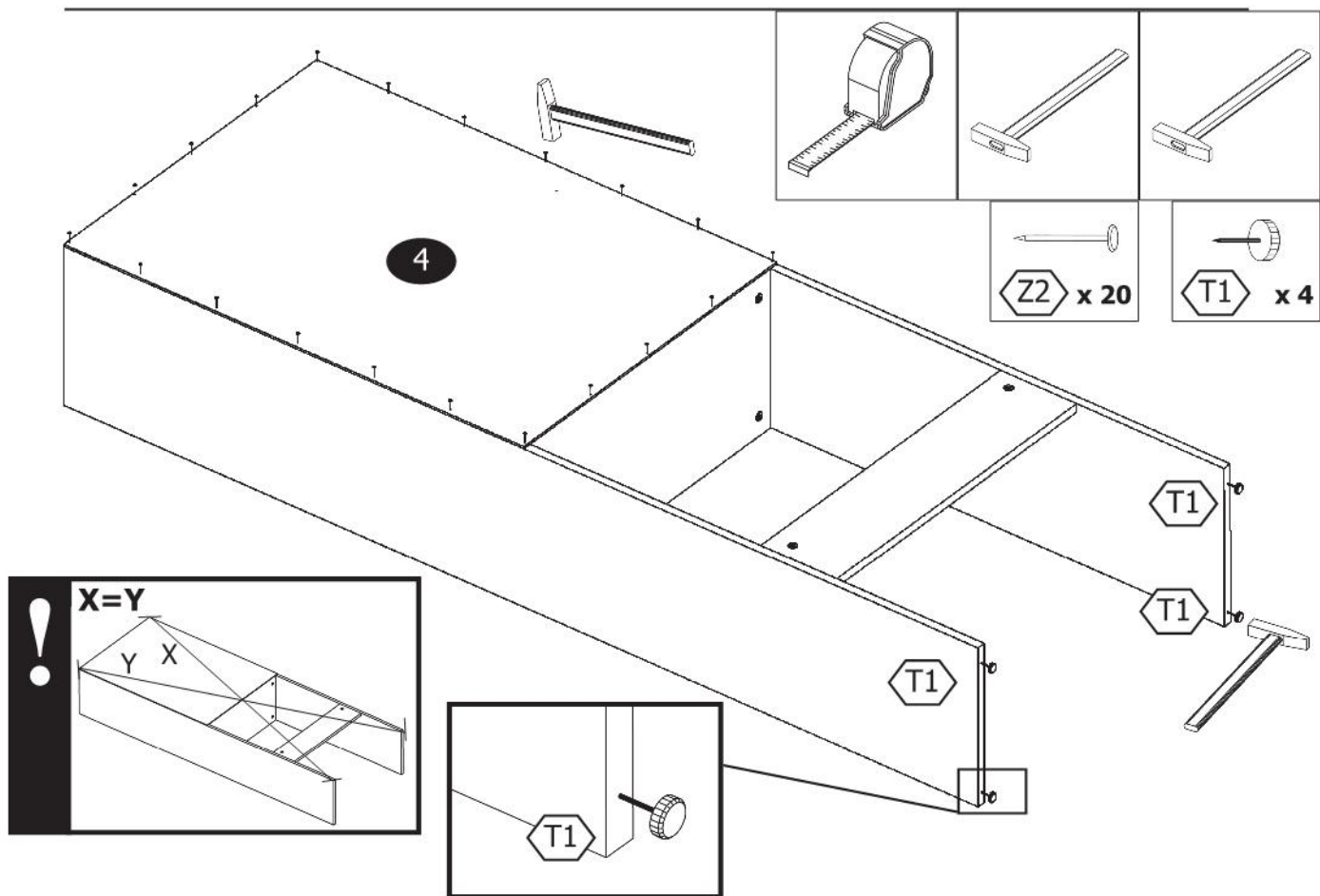
5



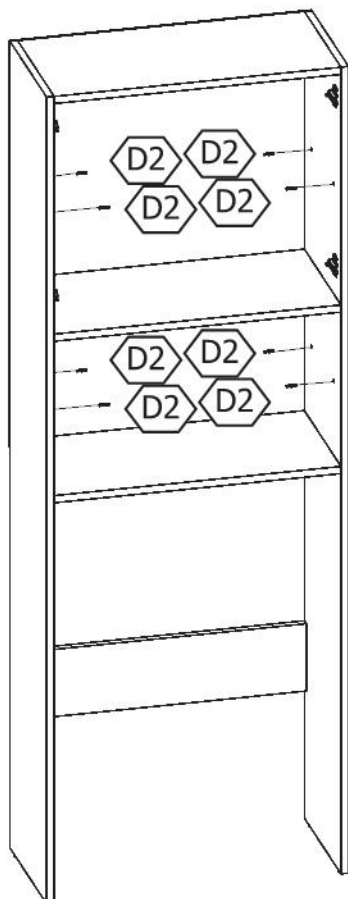
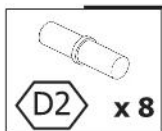
6



7

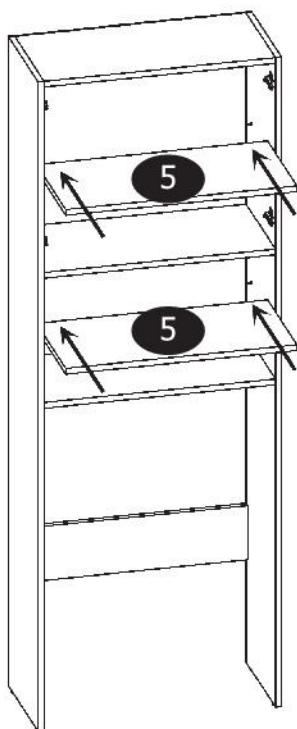


8





9



10

