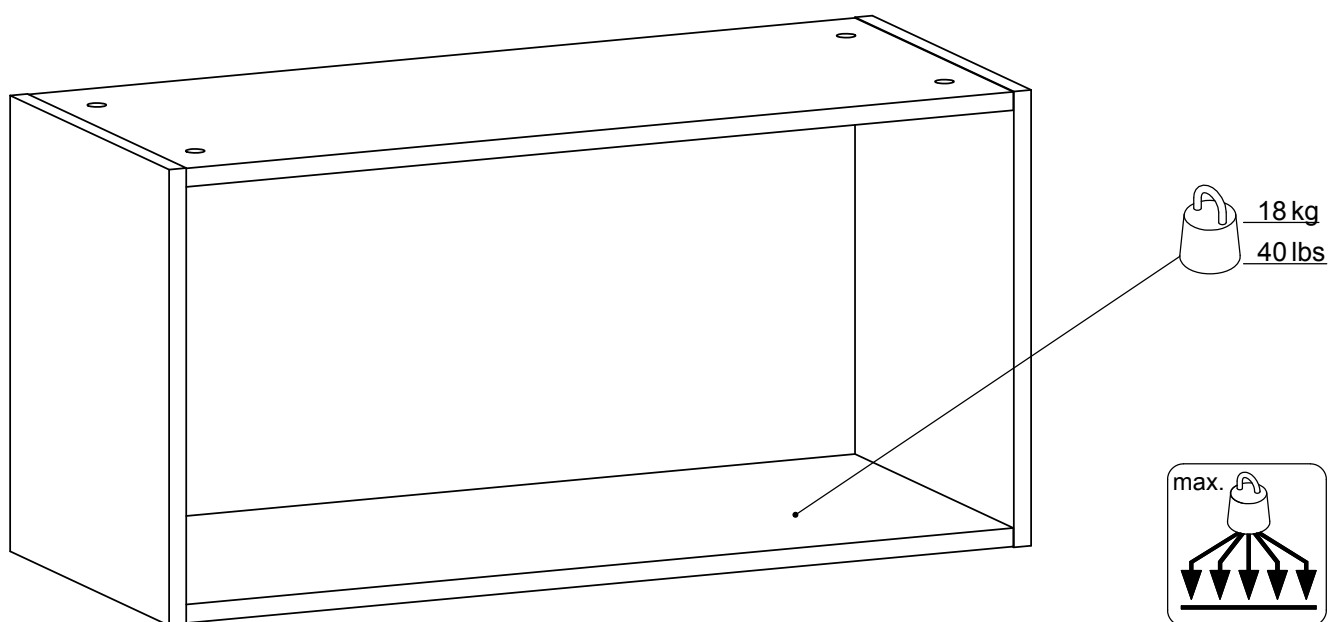


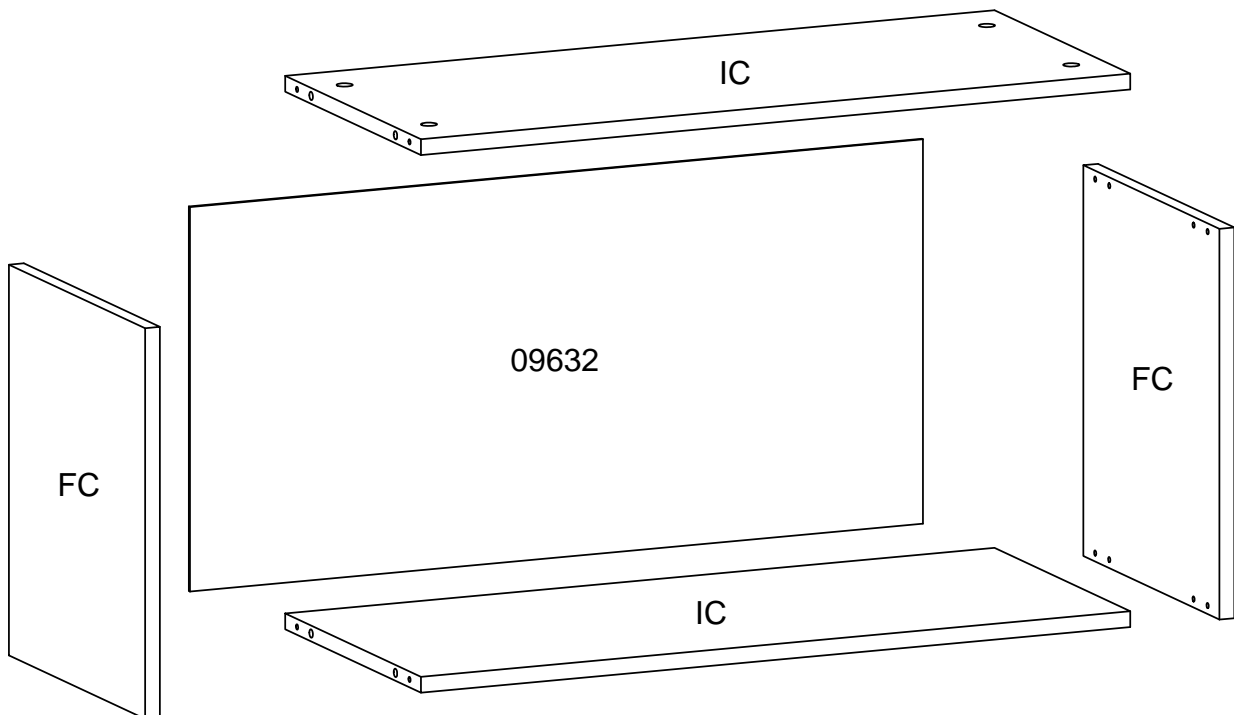
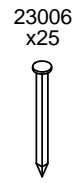
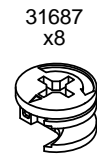
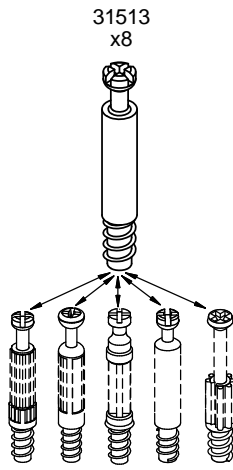
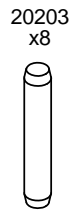
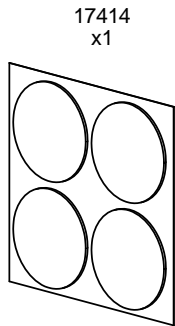
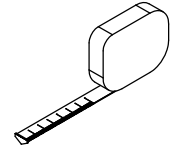
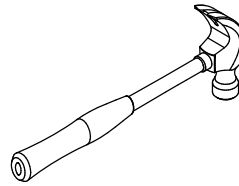
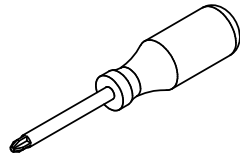
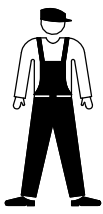
# tvilum



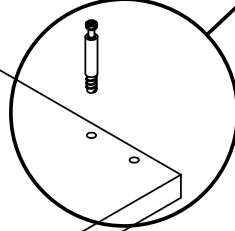
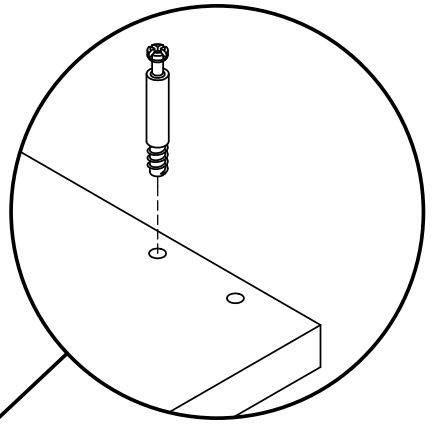
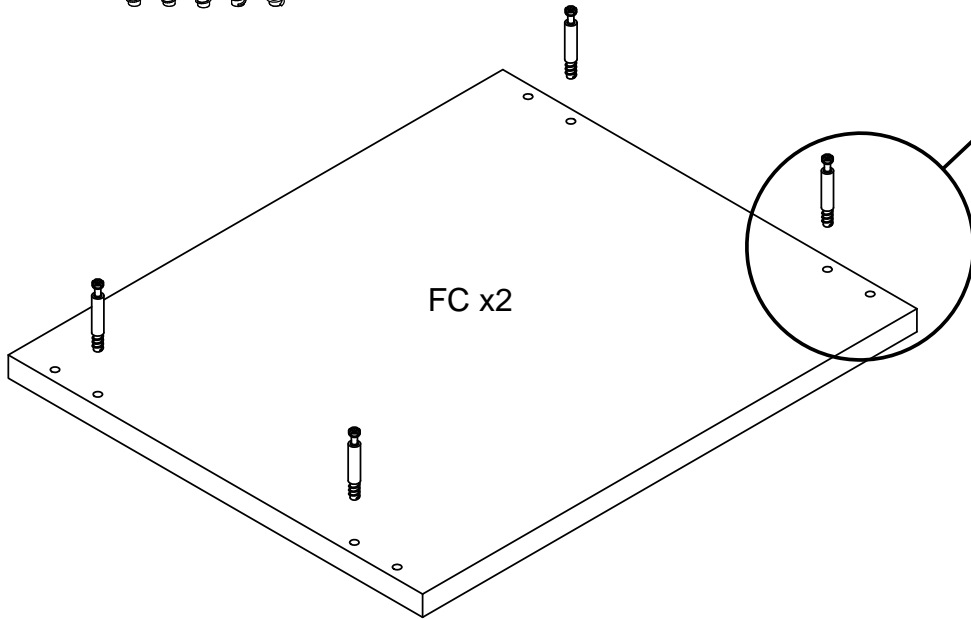
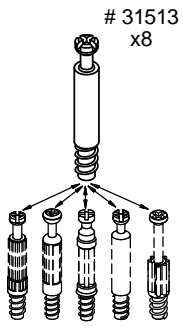
**79419** A

[www.tvilum.com](http://www.tvilum.com)

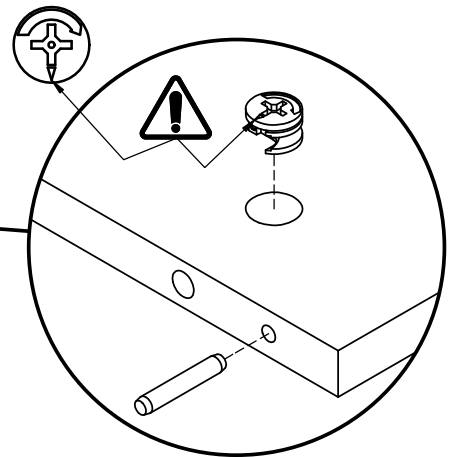
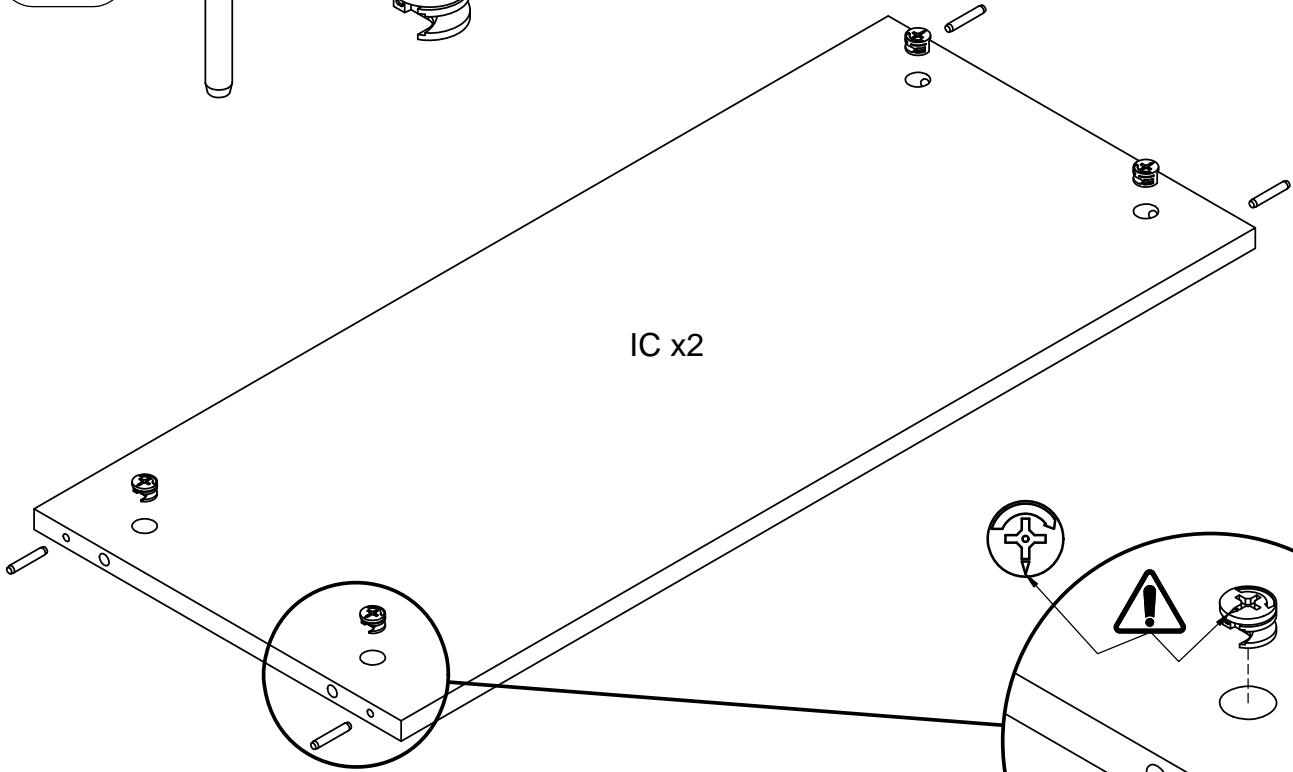
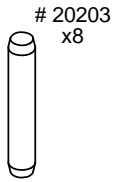




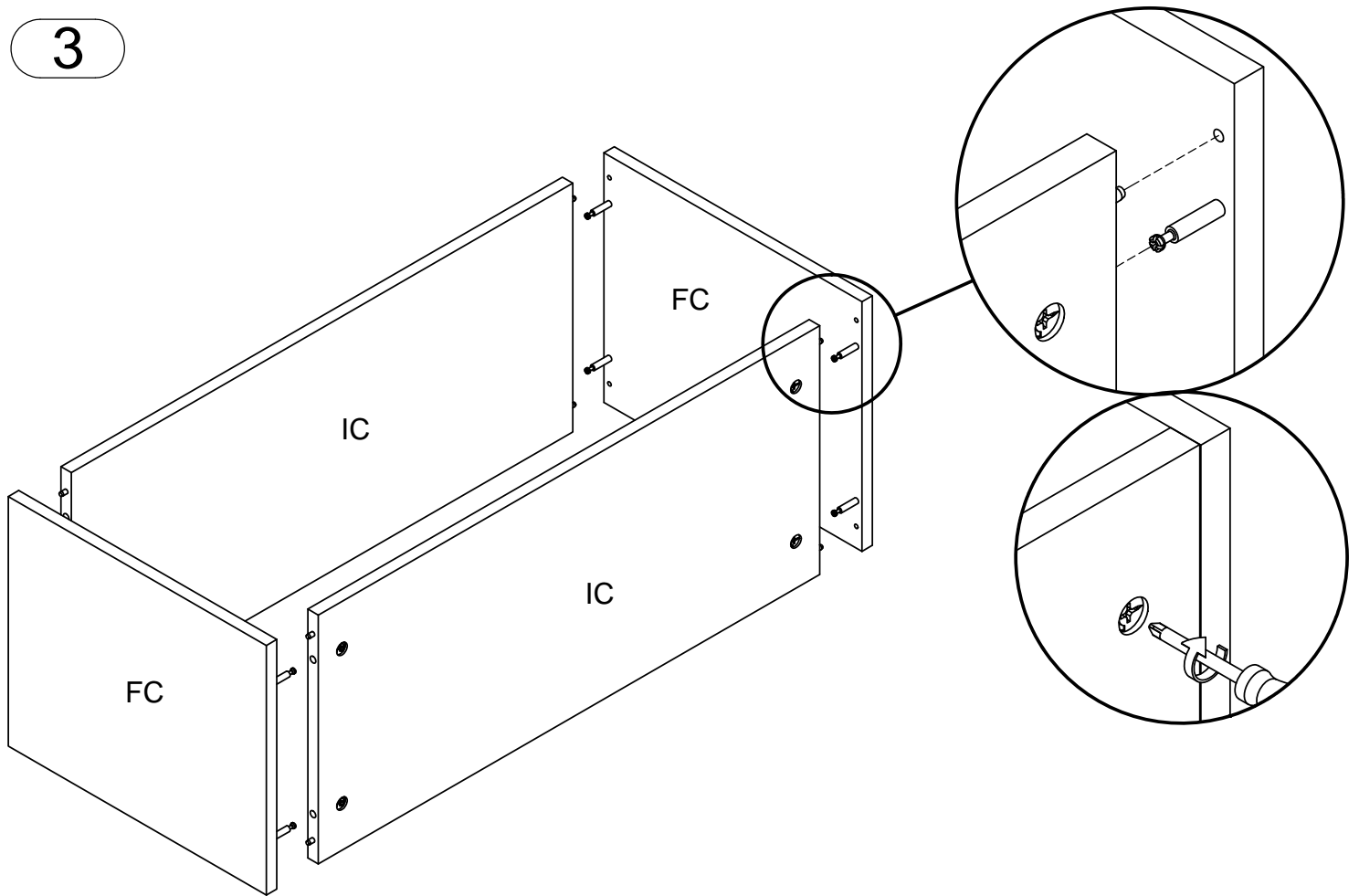
1



2

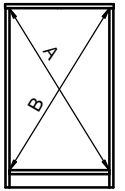
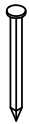


3

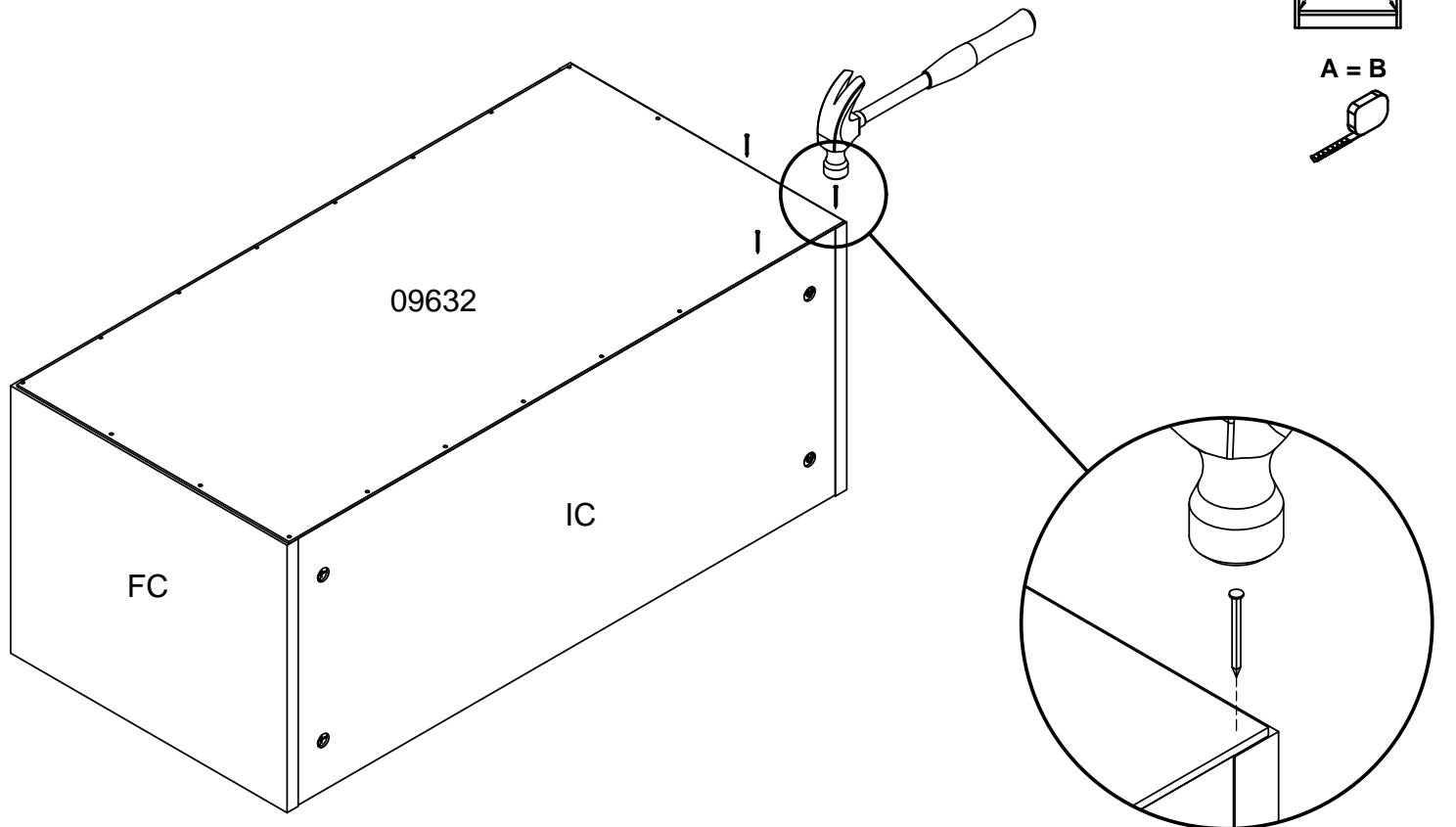


4

# 23006  
x20



A = B



5

