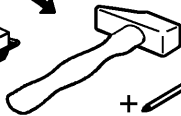
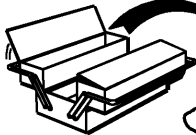
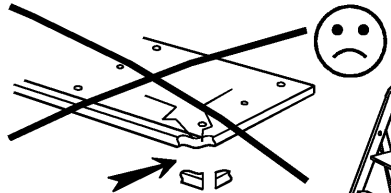
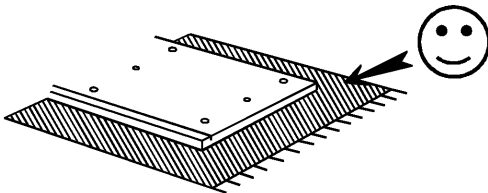


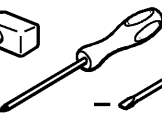
217cm
85 1/2"

233cm
91 3/4"

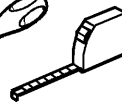
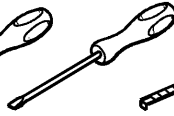
61cm
24 1/4"

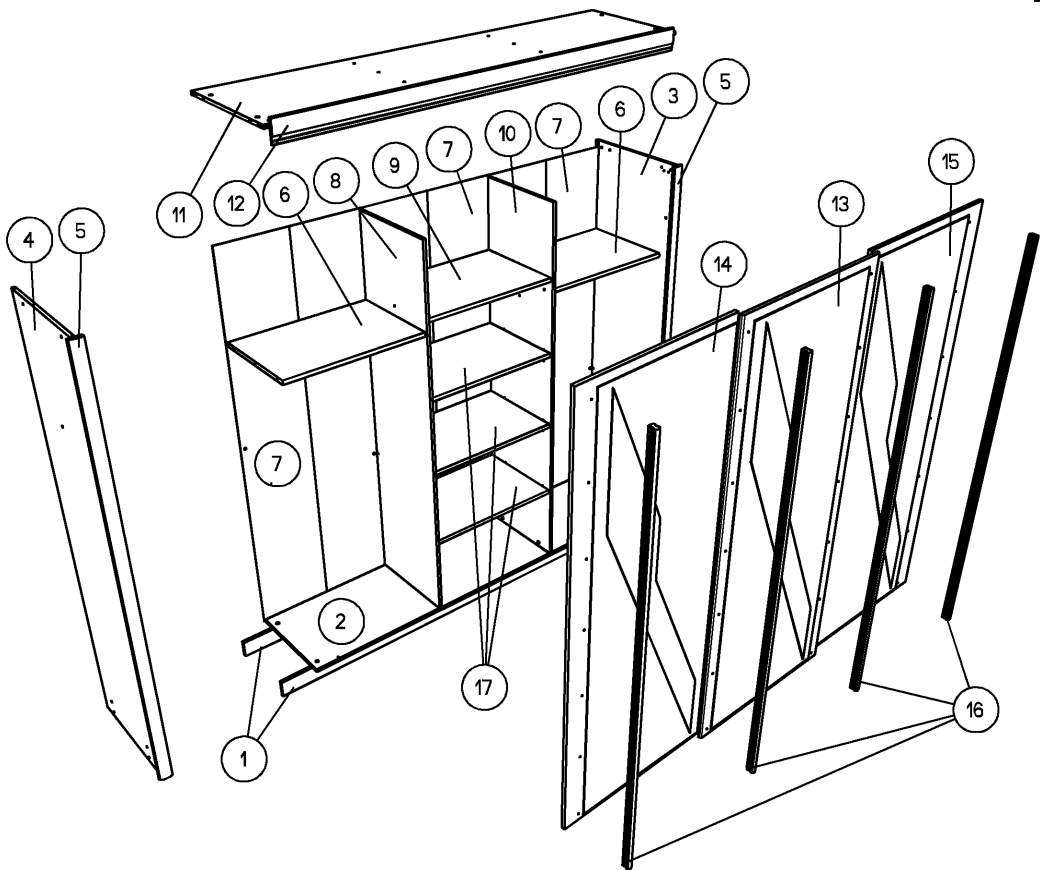


+

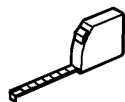


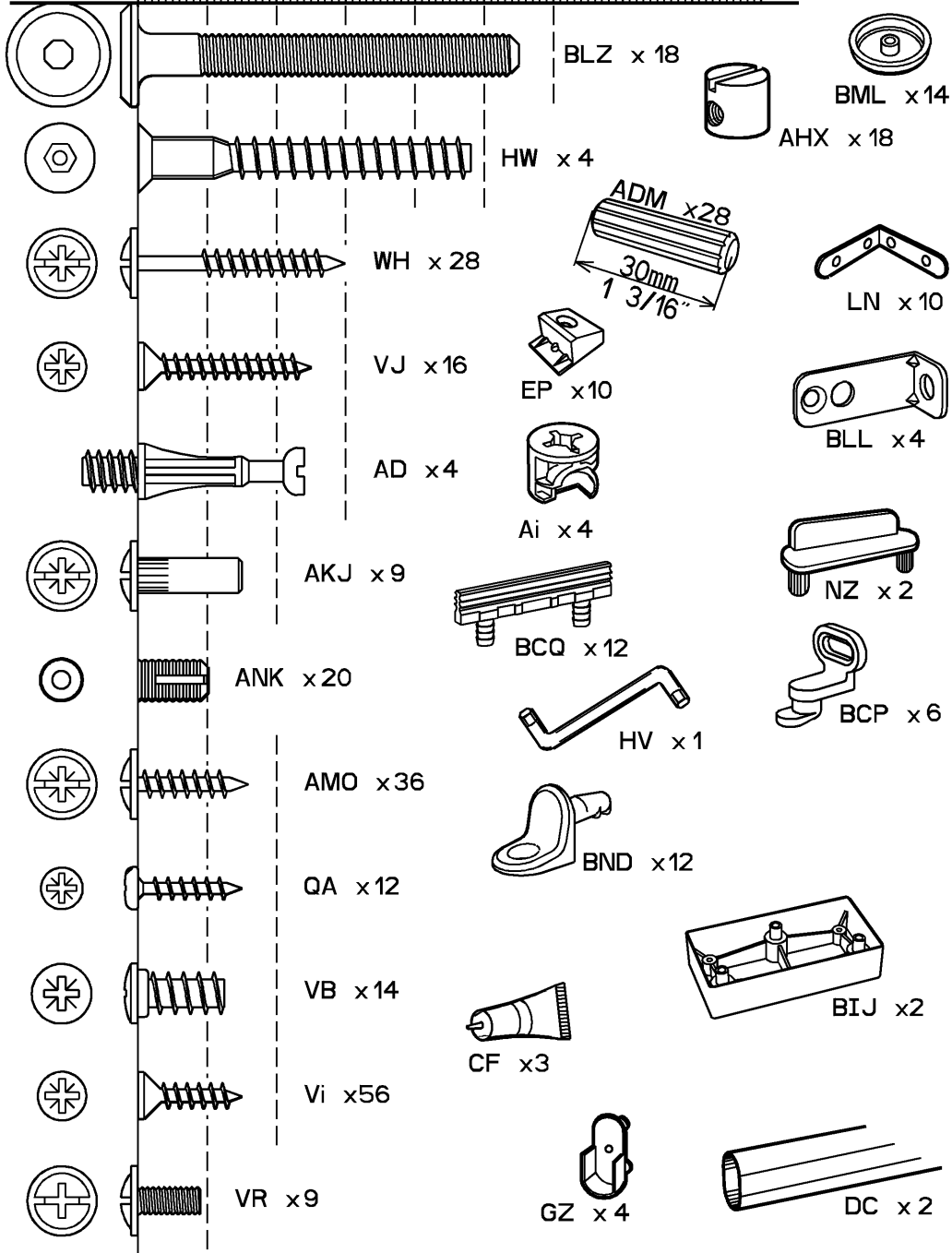
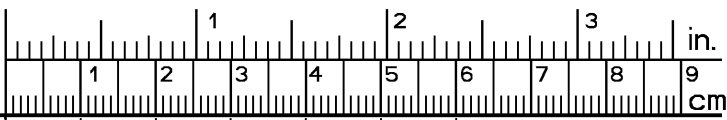
-

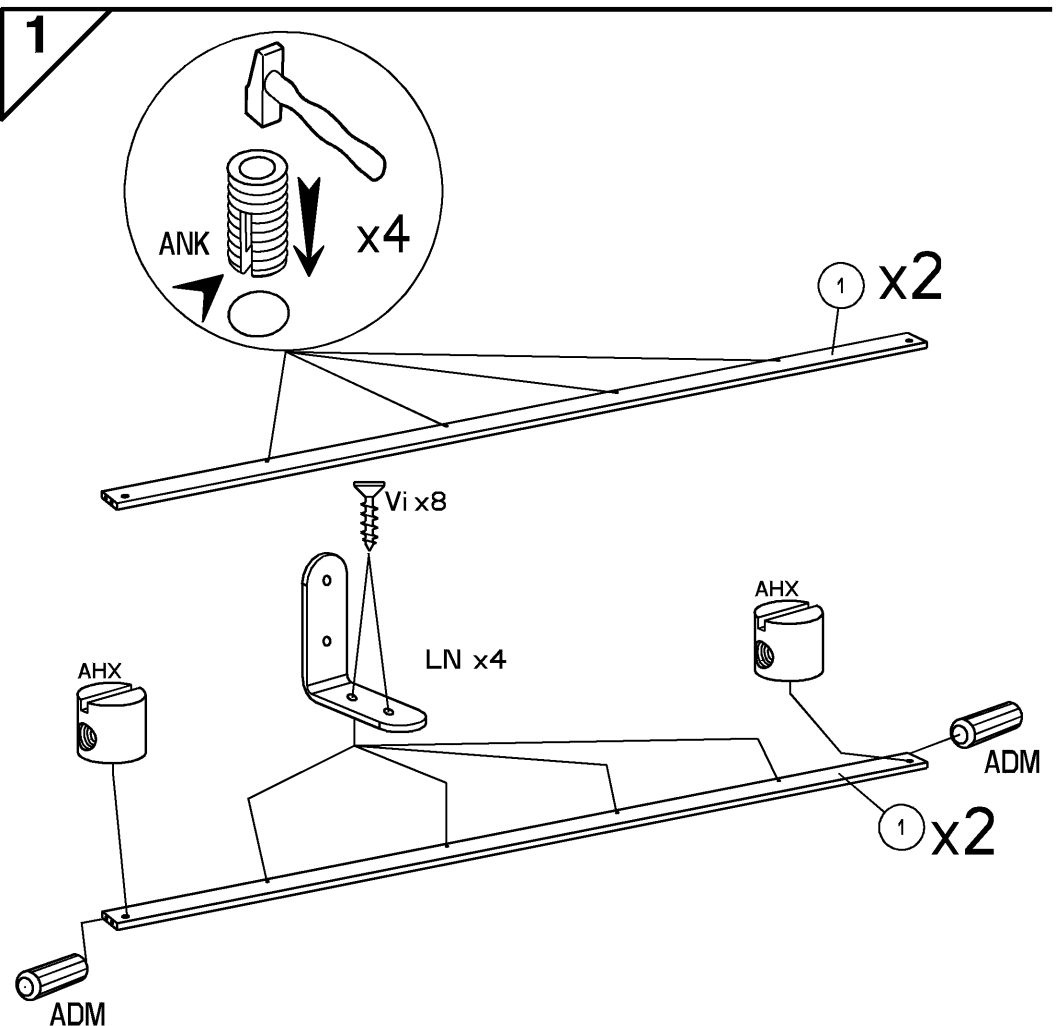
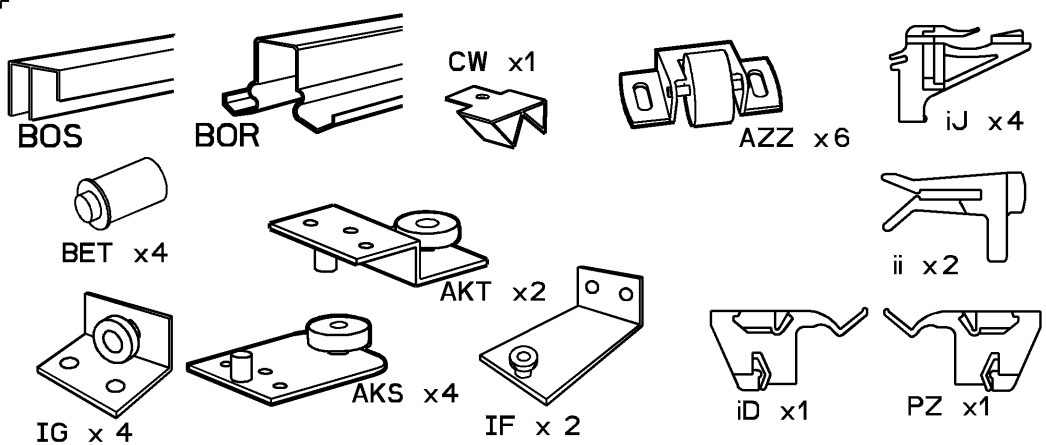




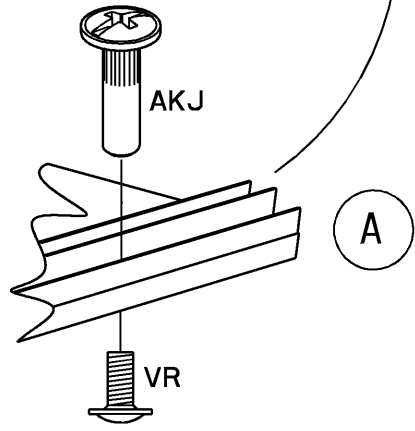
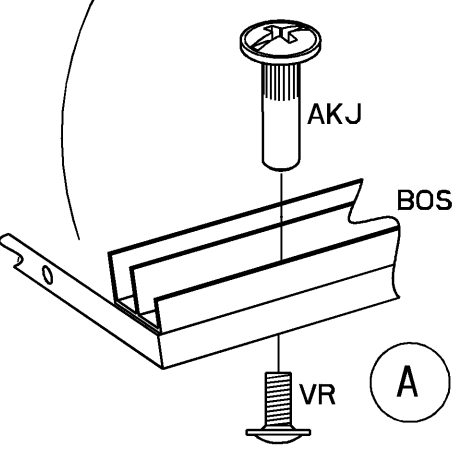
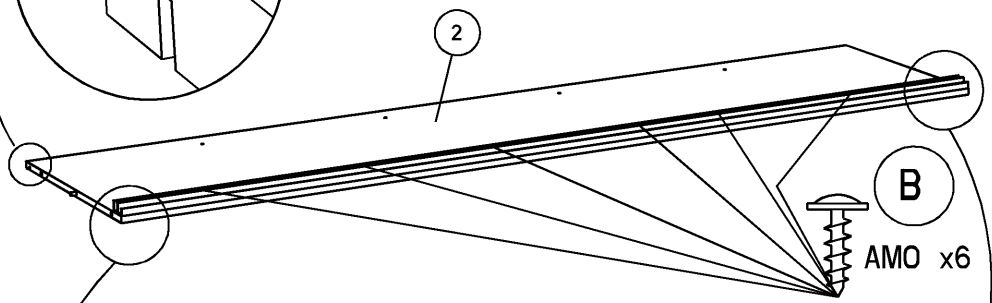
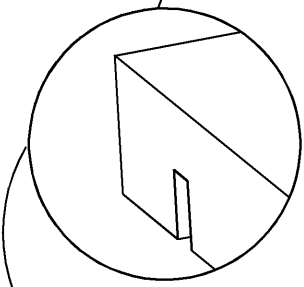
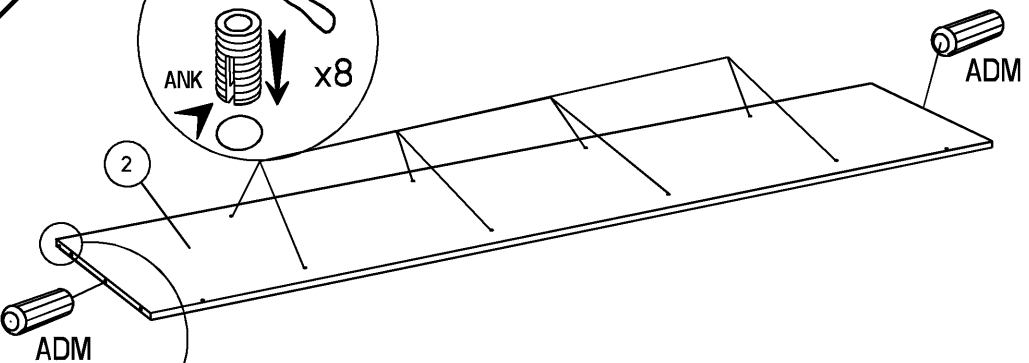
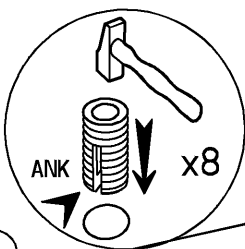
		mm			inch			
⑥	x 2	744	493	22	29 1/4	19 7/16		7/8
⑨	x 1	747	493	22	29 7/16	19 7/16		7/8
⑰	x 3	747	493	22	29 7/16	19 7/16		7/8
⑰	x 4	1989	34	20	78 5/16	1 5/16		13/16
⑭	x 1	2028	753	16	79 13/16	29 5/8		5/8
⑮	x 1	2028	753	16	79 13/16	29 5/8		5/8
⑬	x 1	2028	771	16	79 13/16	30 3/8		5/8
⑧	x 1	2030	522	16	79 15/16	20 9/16		5/8
⑩	x 1	2030	522	16	79 15/16	20 9/16		5/8
⑤	x 2	2172	60	22	85 1/2	2 3/8		7/8
③	x 1	2173	592	16	85 9/16	23 5/16		5/8
④	x 1	2173	592	16	85 9/16	23 5/16		5/8
⑫	x 1	2210	110	16	87	4 5/16		5/8
①	x 2	2266	86	16	89 3/16	3 3/8		5/8
②	x 1	2266	522	16	89 3/16	20 9/16		5/8
⑪	x 1	2266	592	16	89 3/16	23 5/16		5/8
⑦	x 3	2046	756	3	80 9/16	29 3/4		1/8



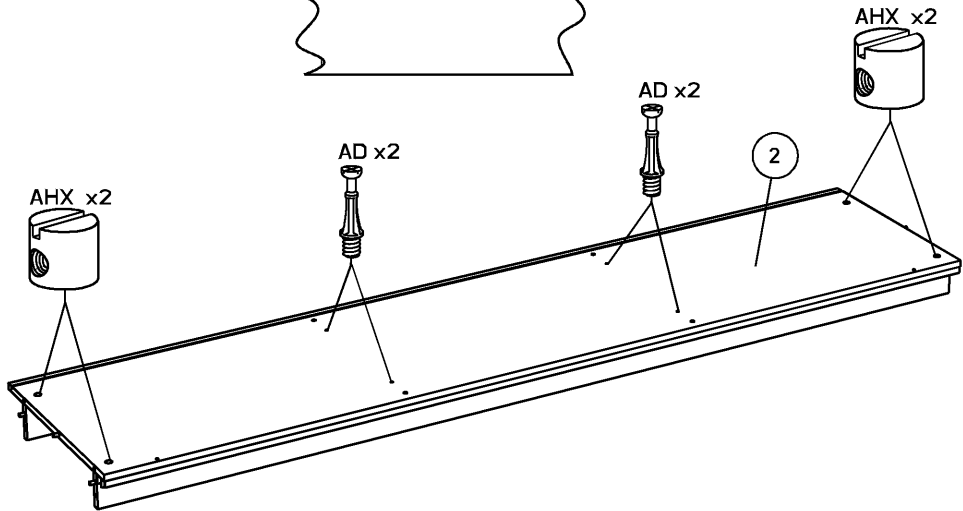
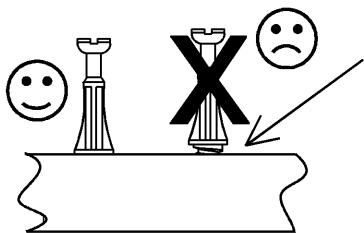
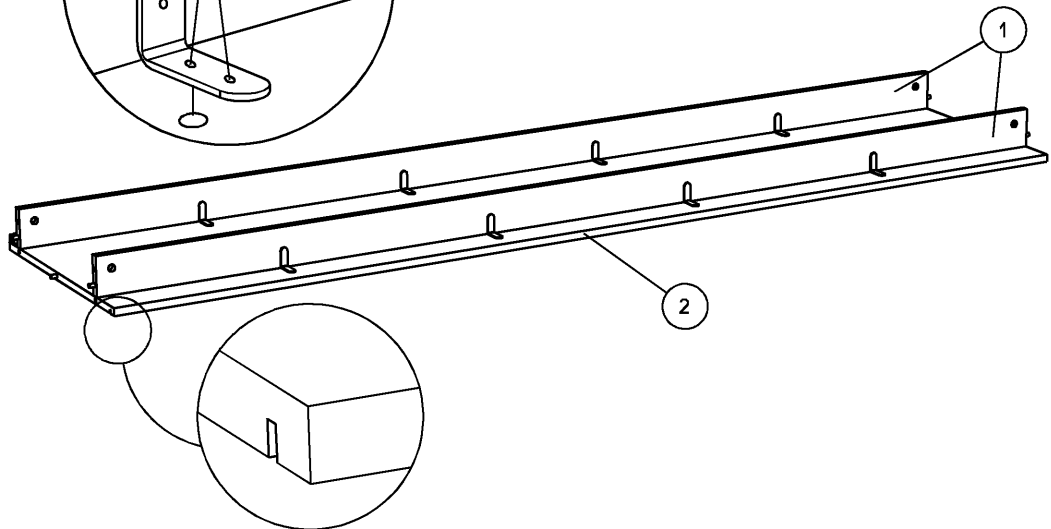
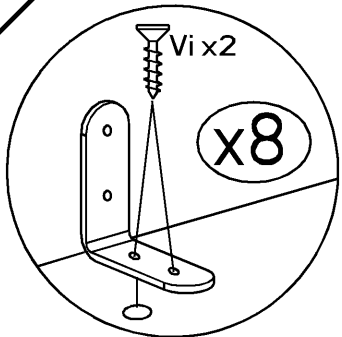




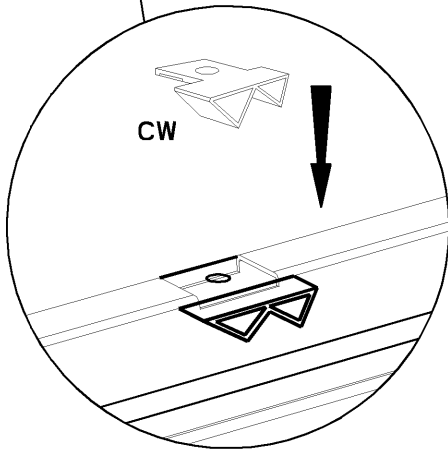
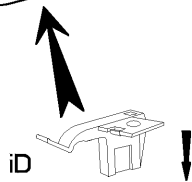
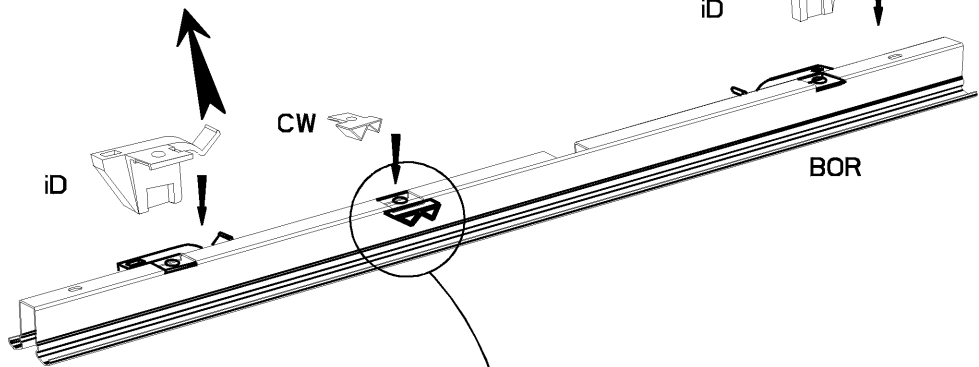
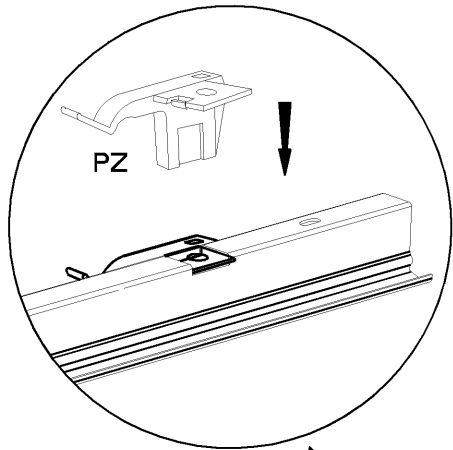
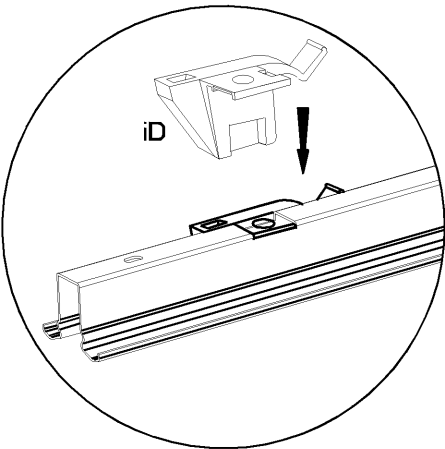
2



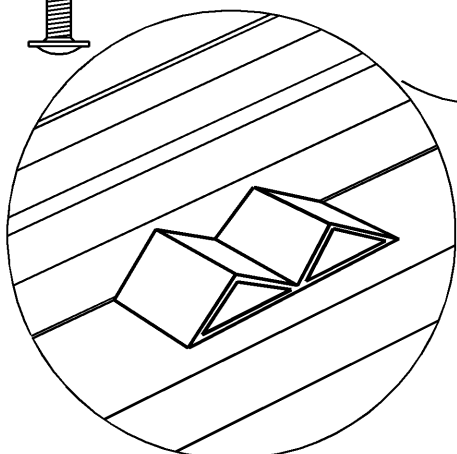
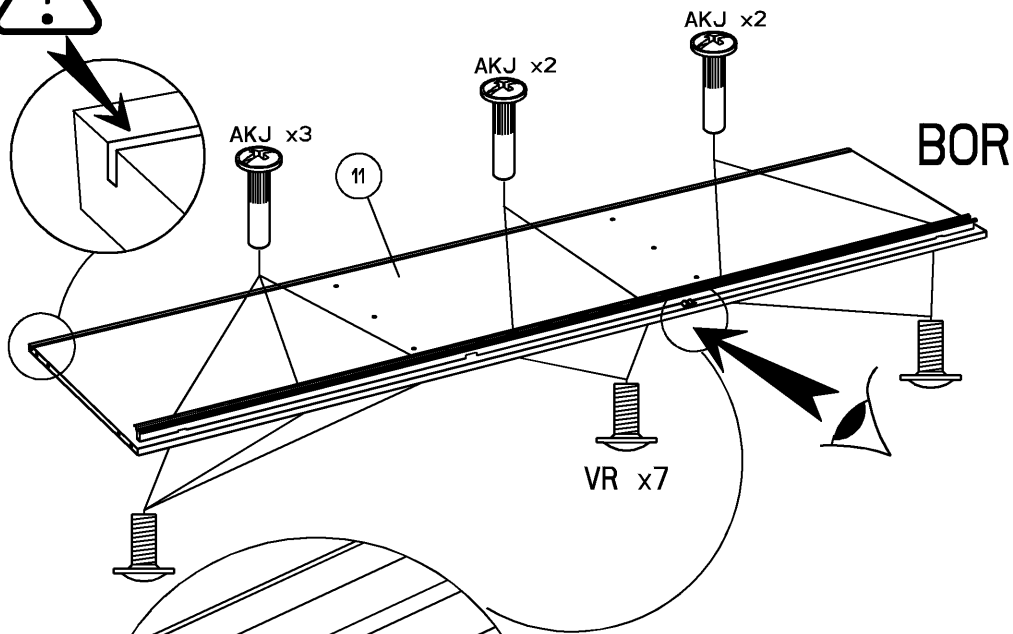
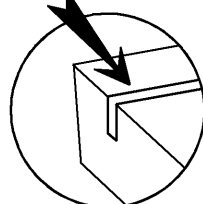
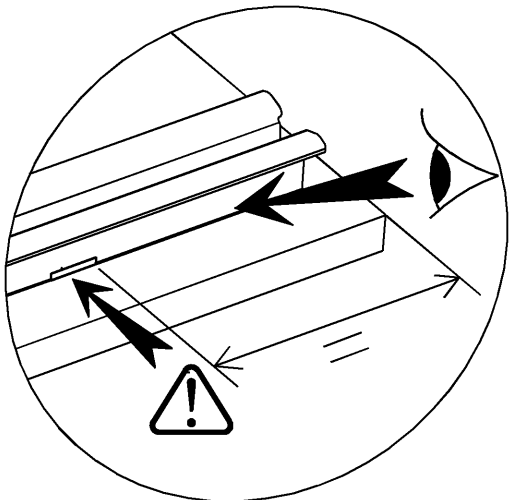
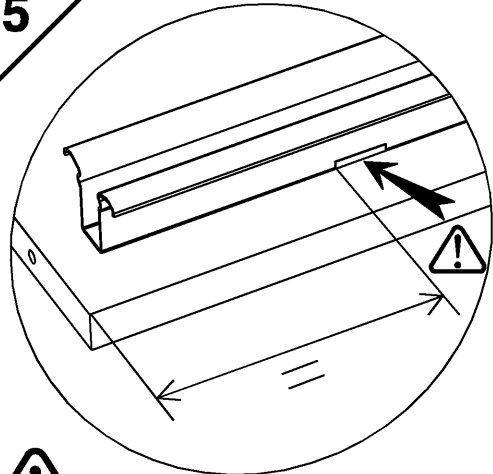
3



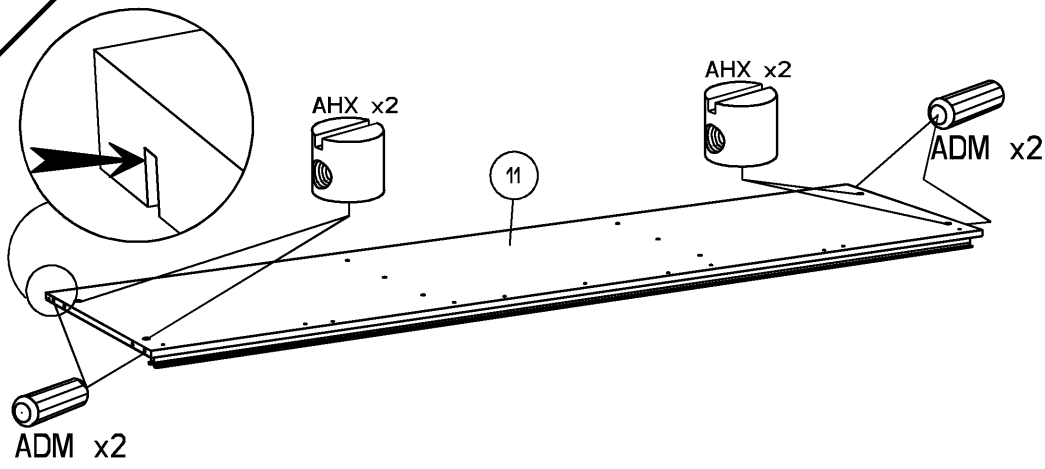
4



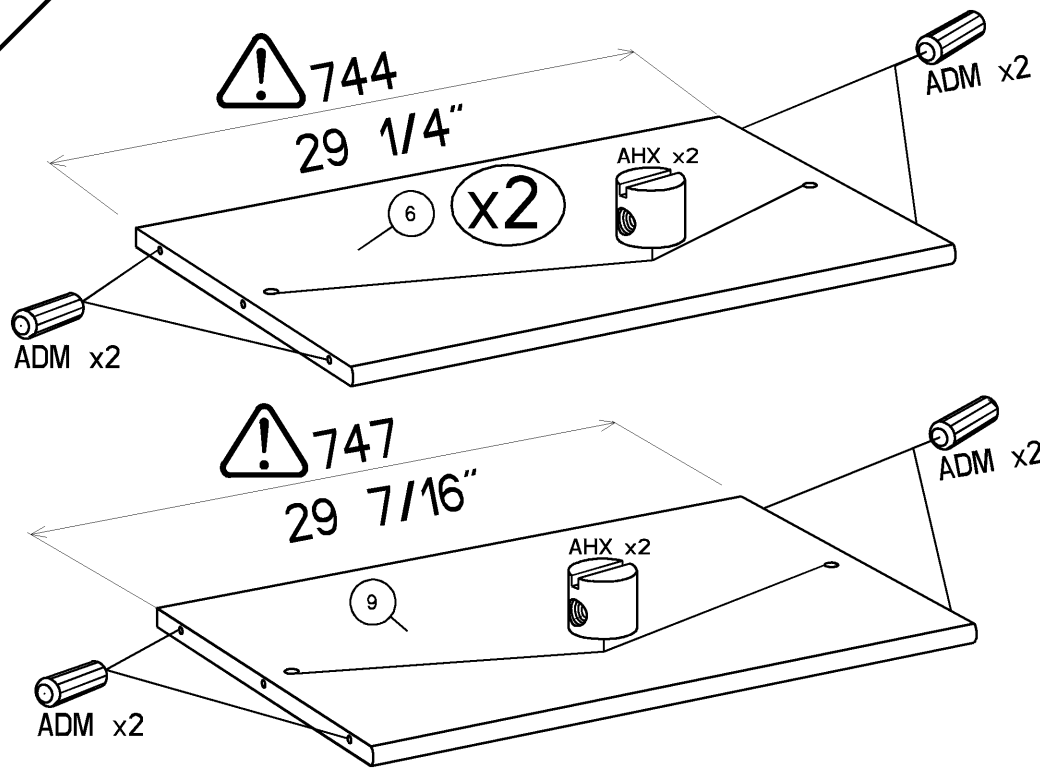
5



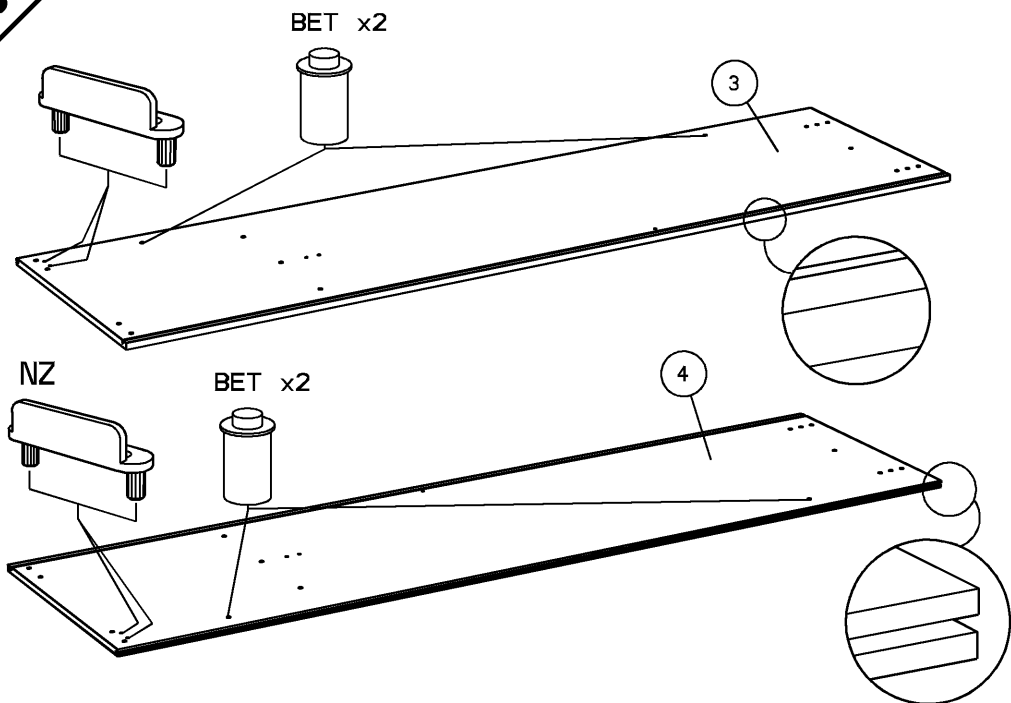
6



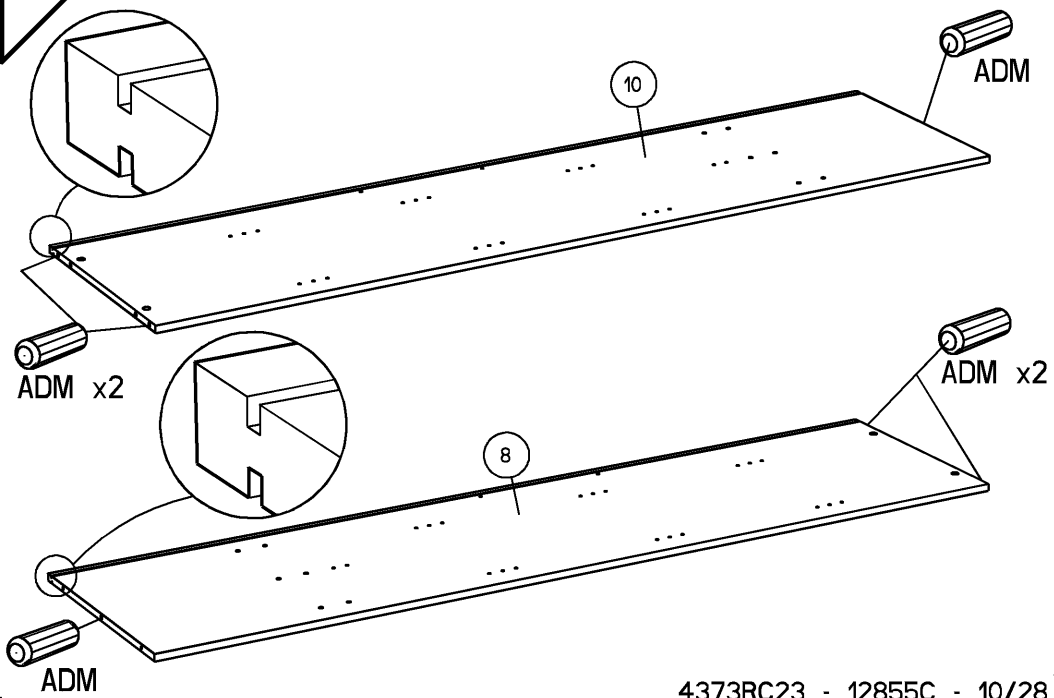
7



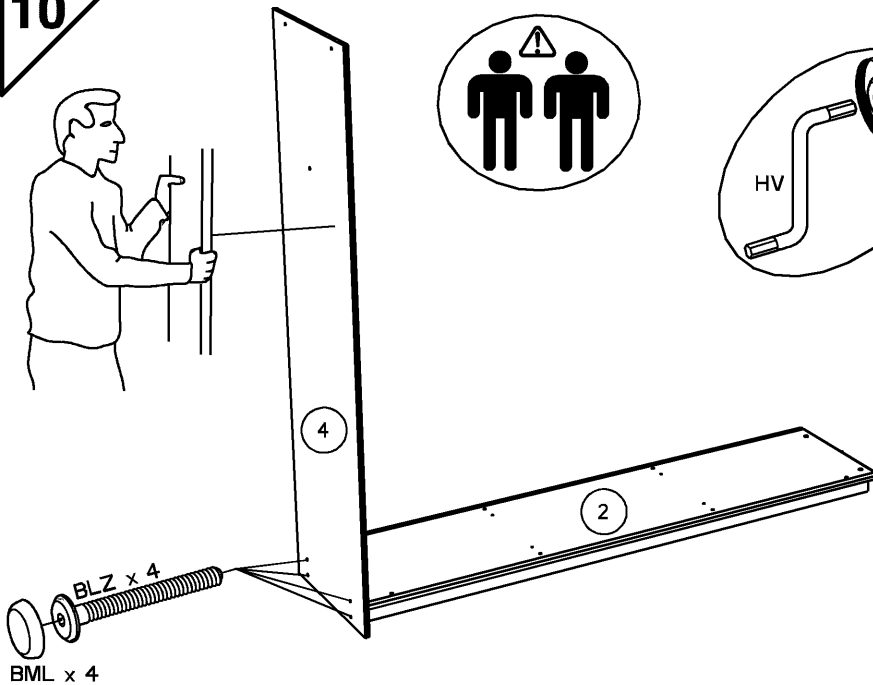
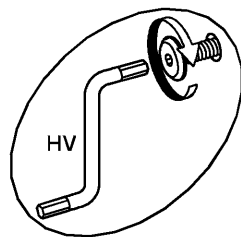
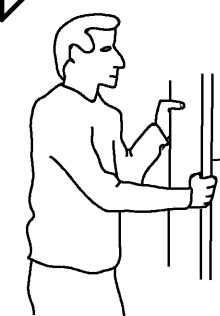
8



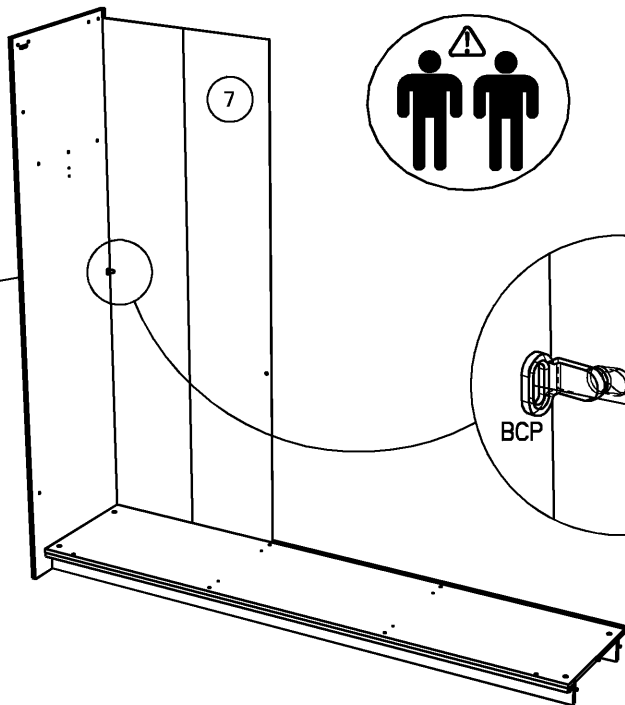
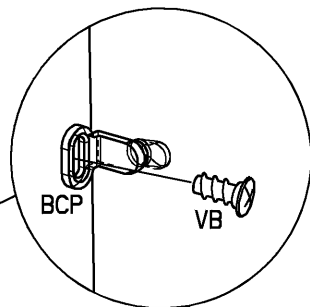
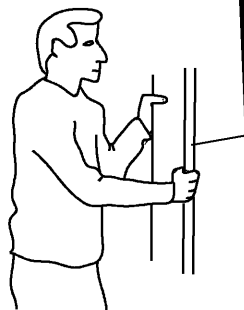
9



10



11

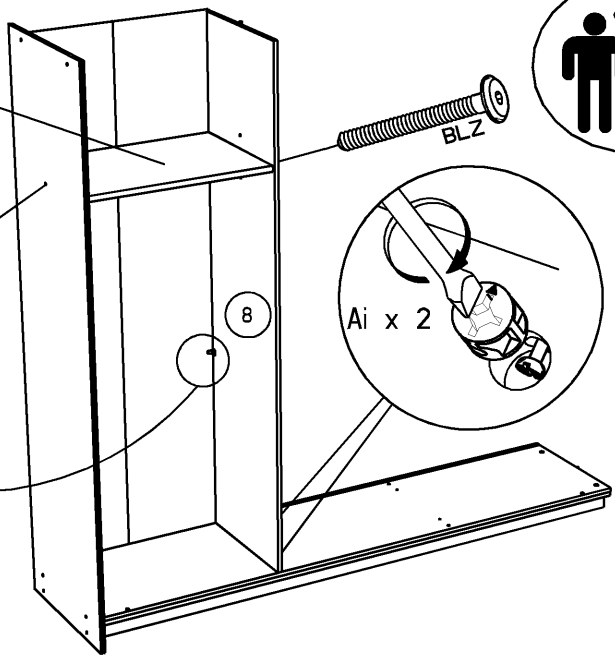
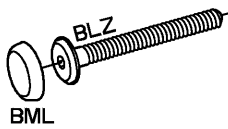


12

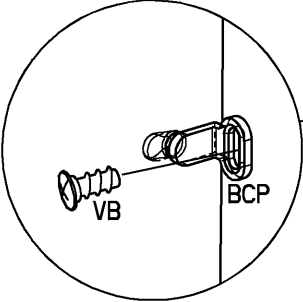
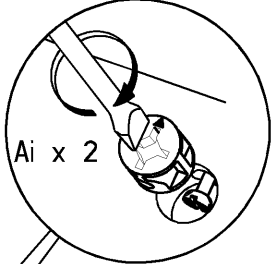


6

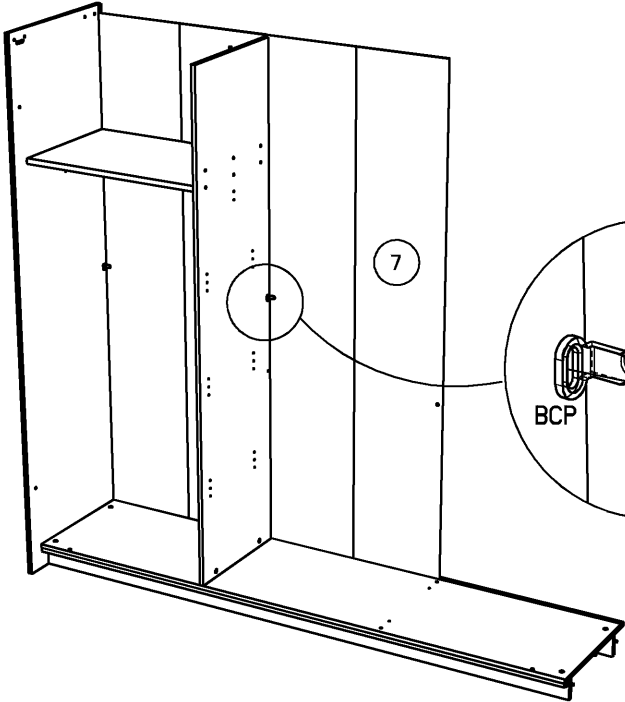
LONGUEUR 744mm
29 1/4"



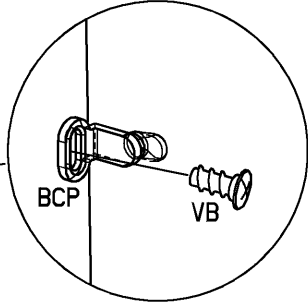
8



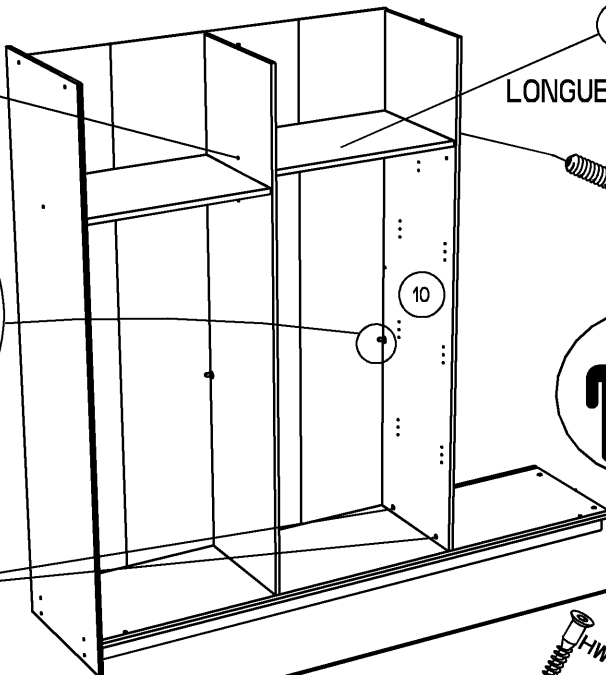
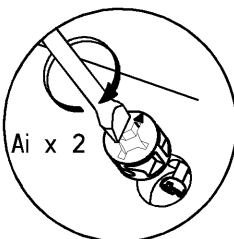
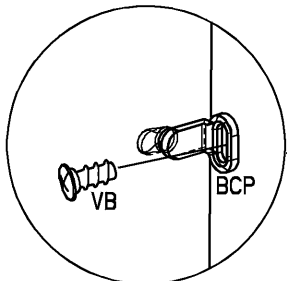
13



7



14

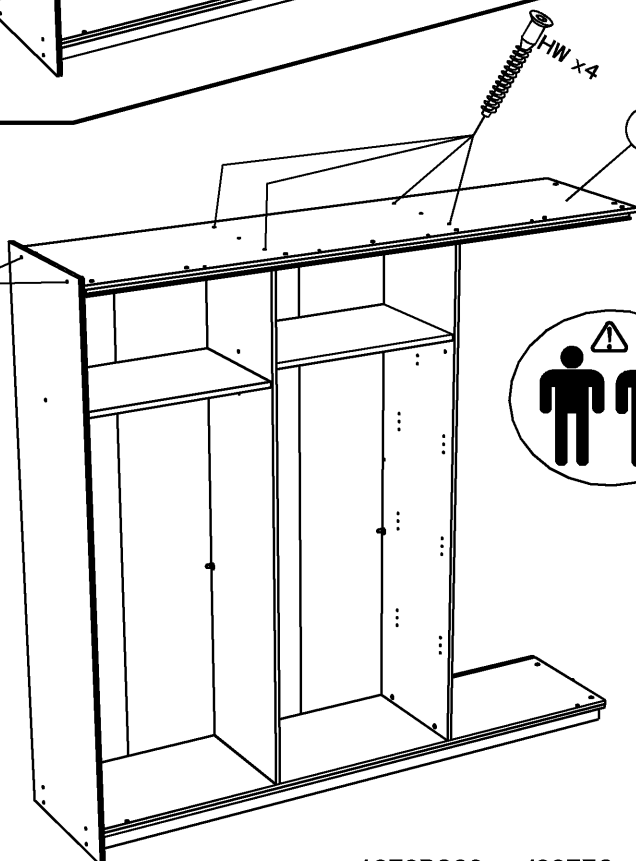
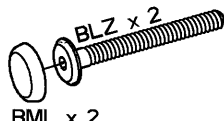


LONGUEUR 747mm
29 1/4"



10

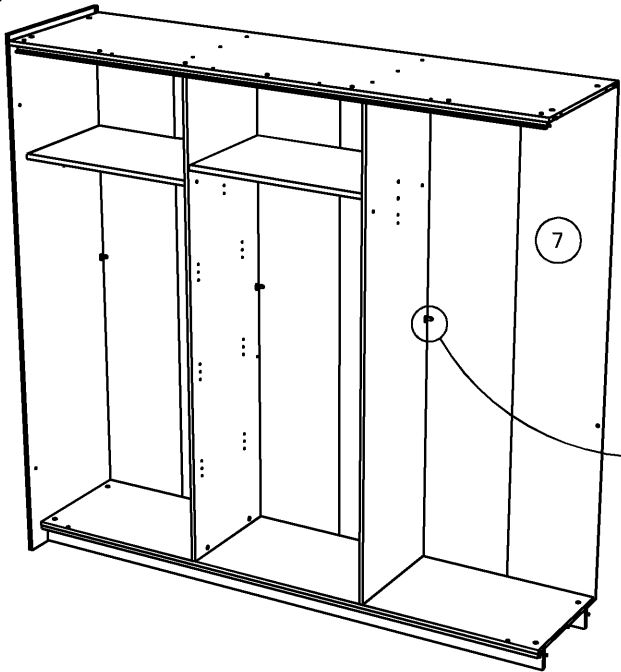
15



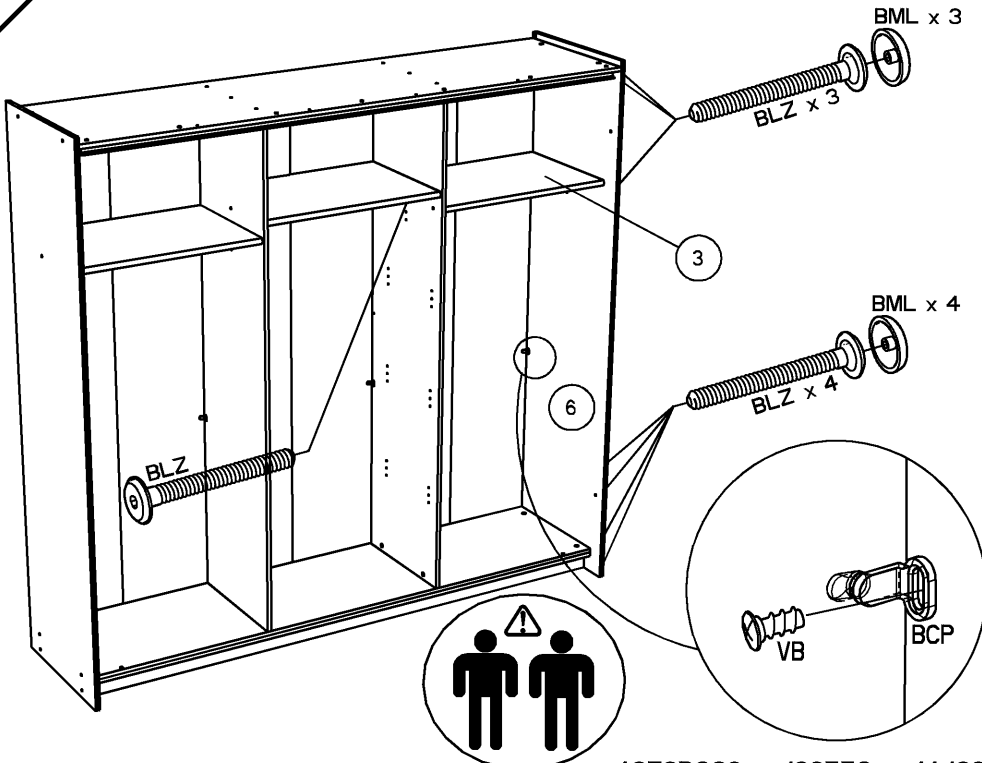
11

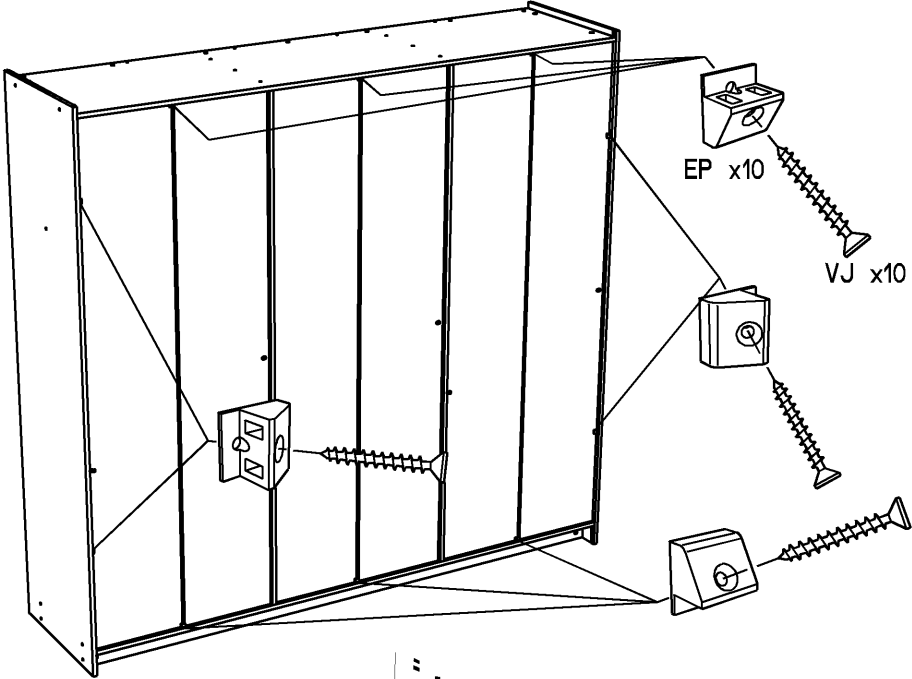


16

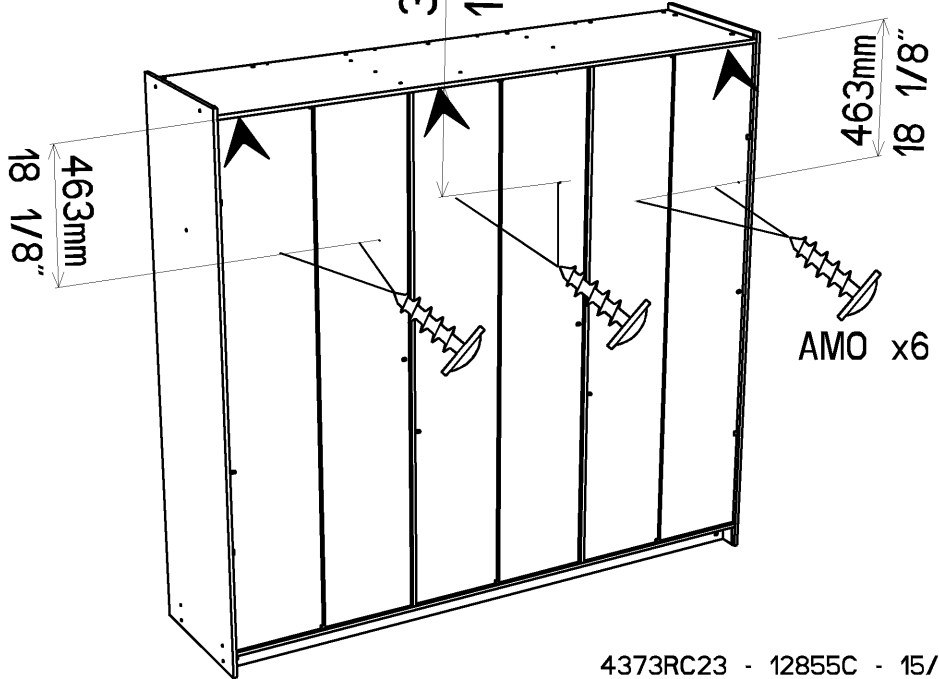


17

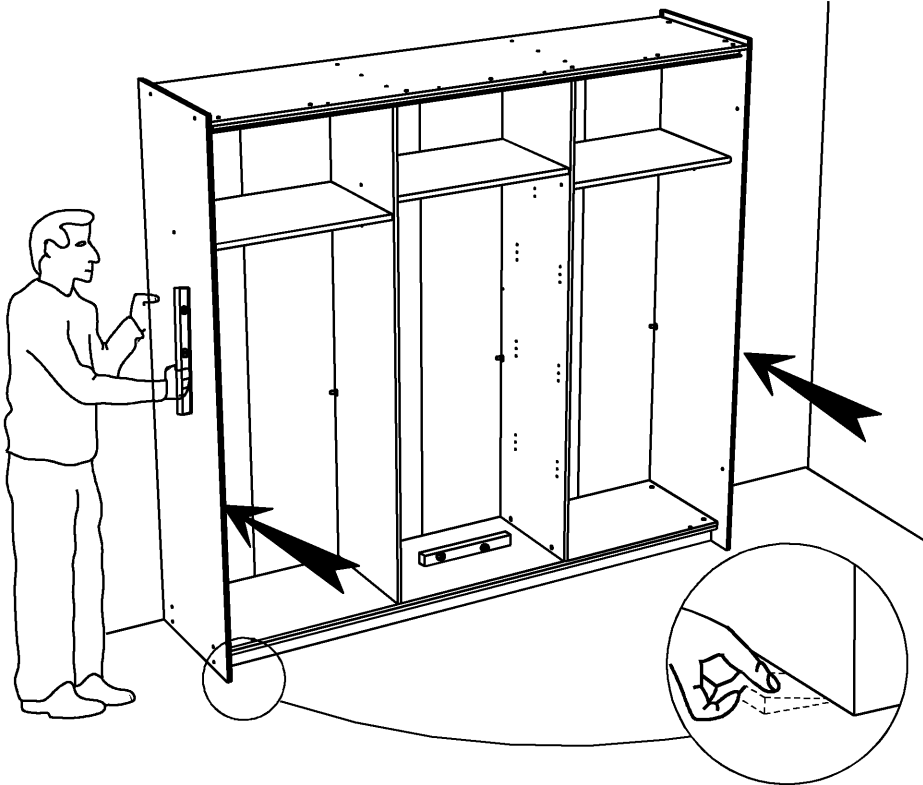




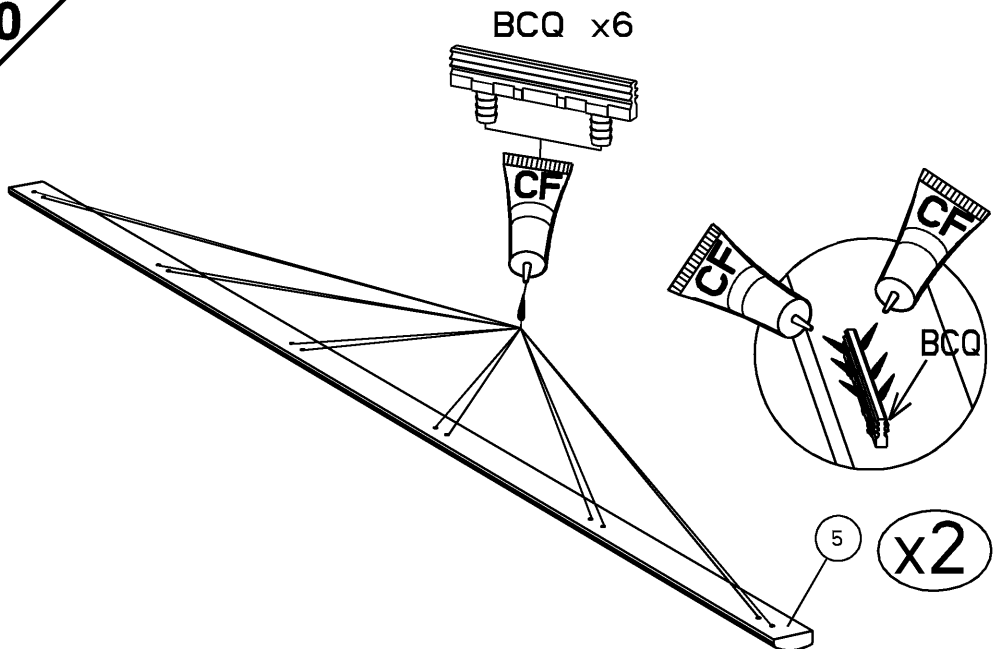
399mm
15 3/4"

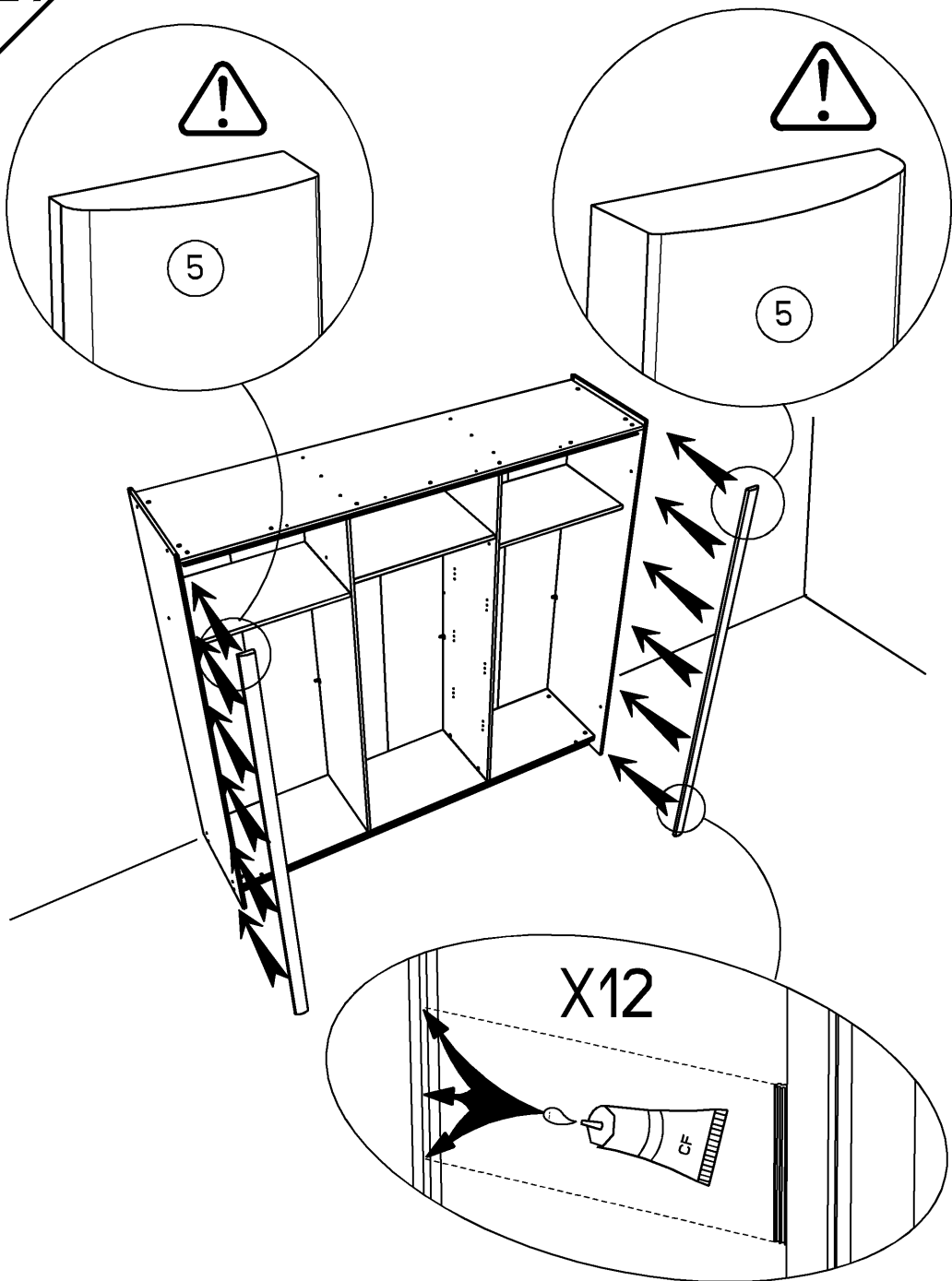


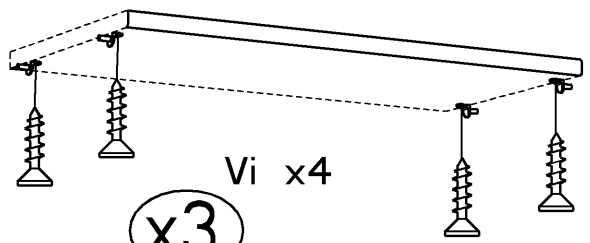
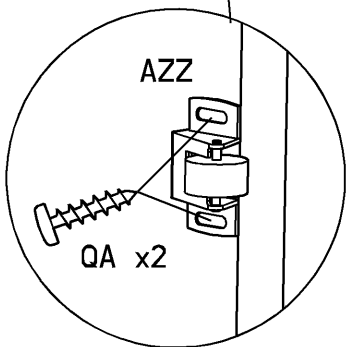
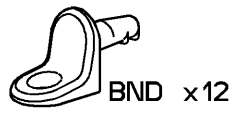
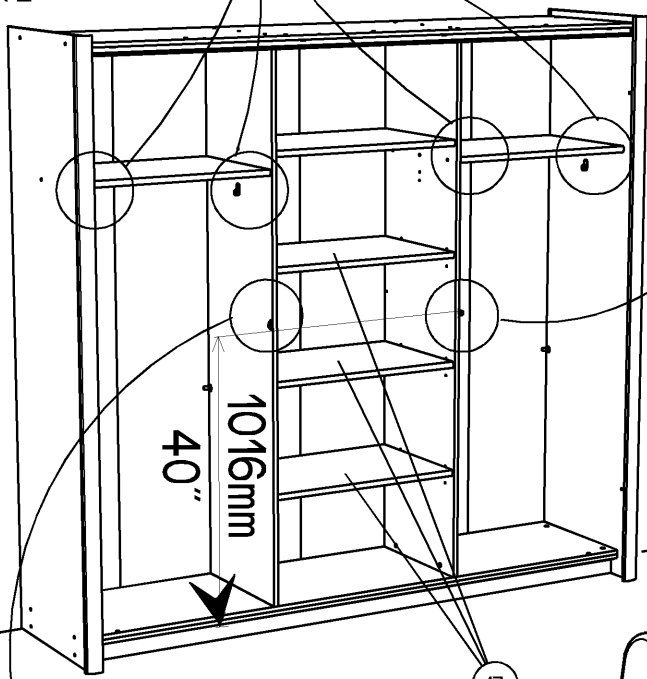
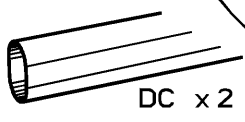
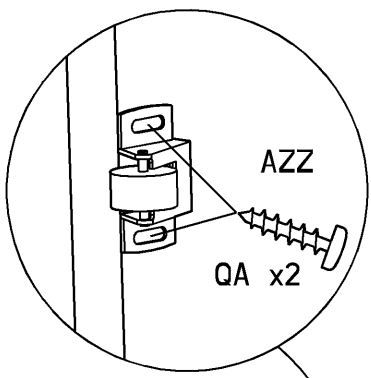
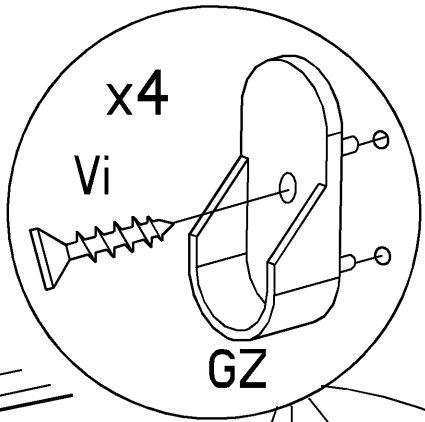
19



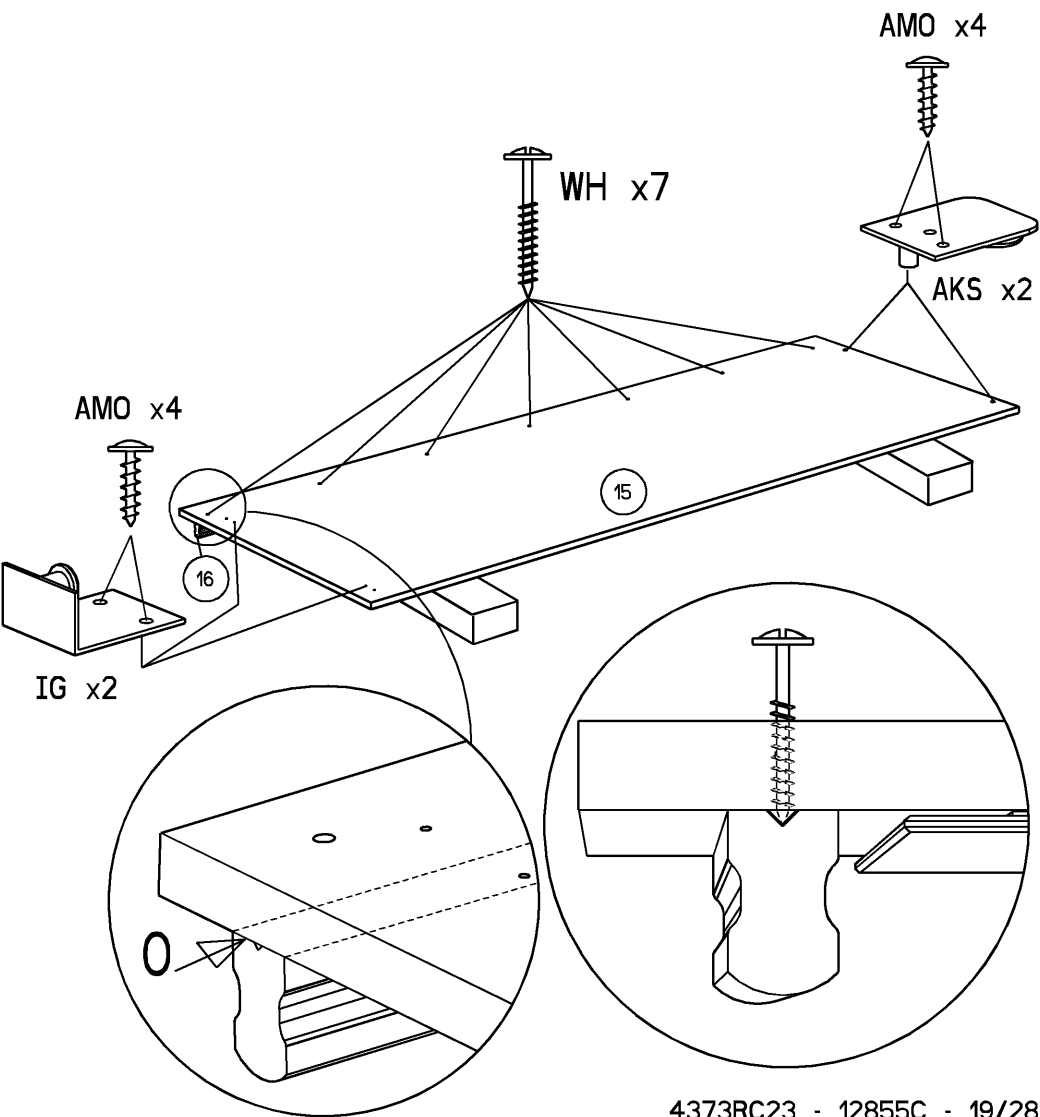
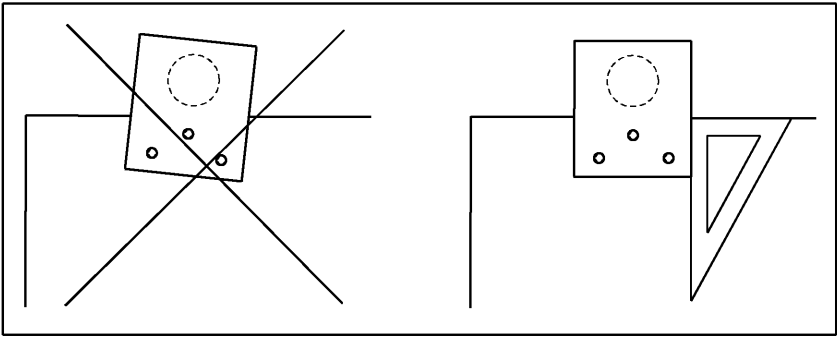
20

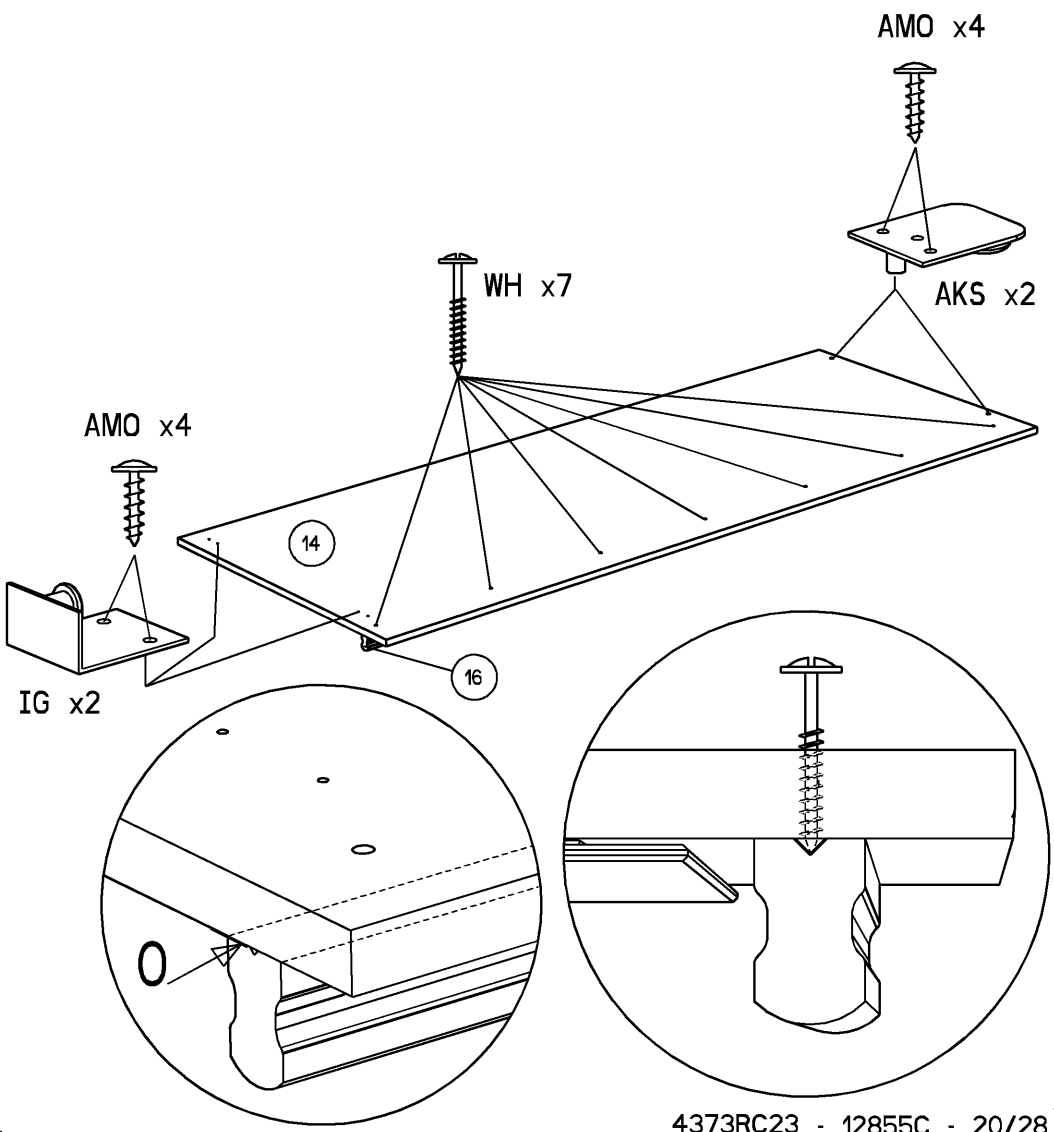
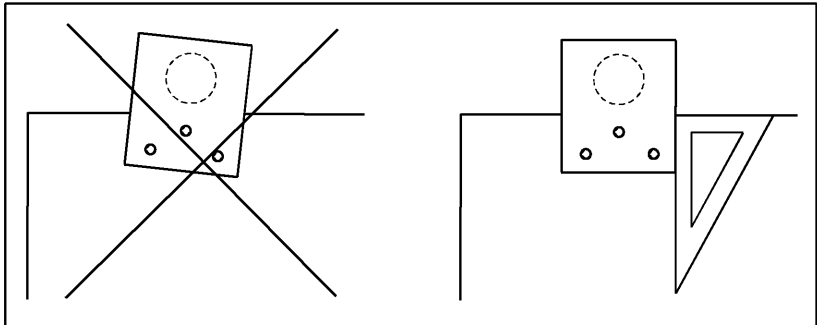


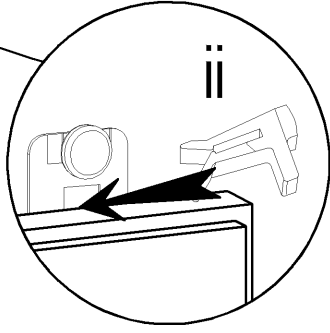
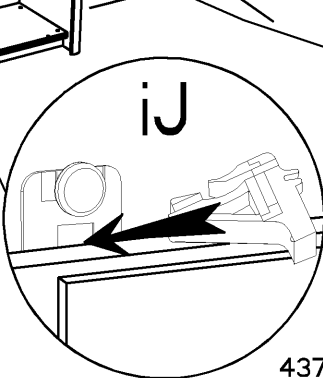
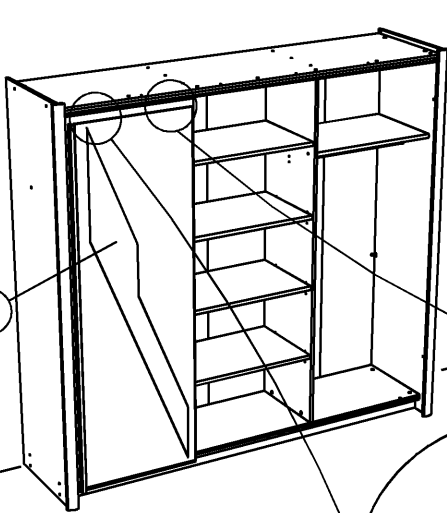
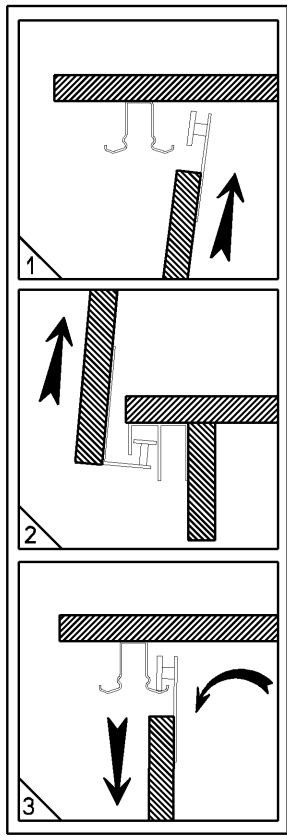
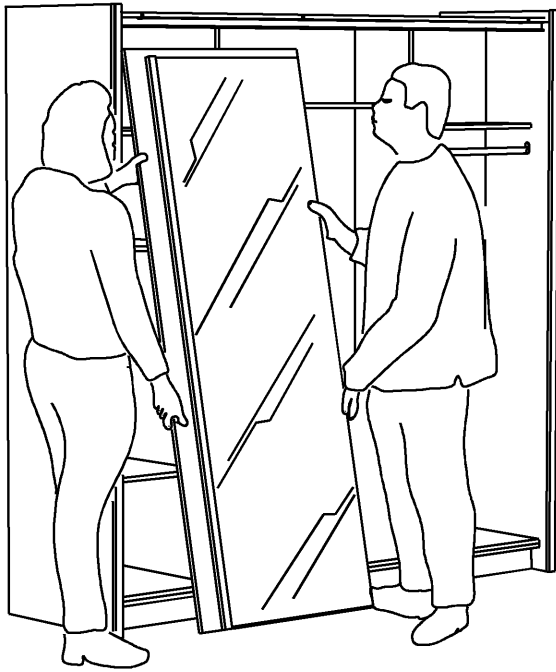


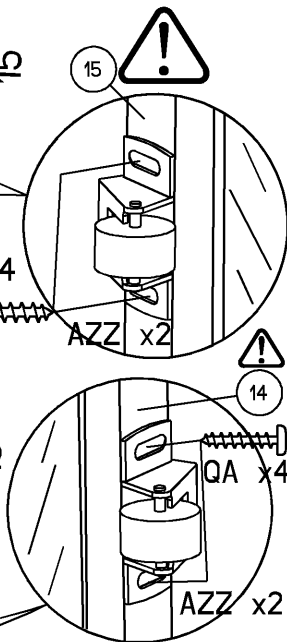
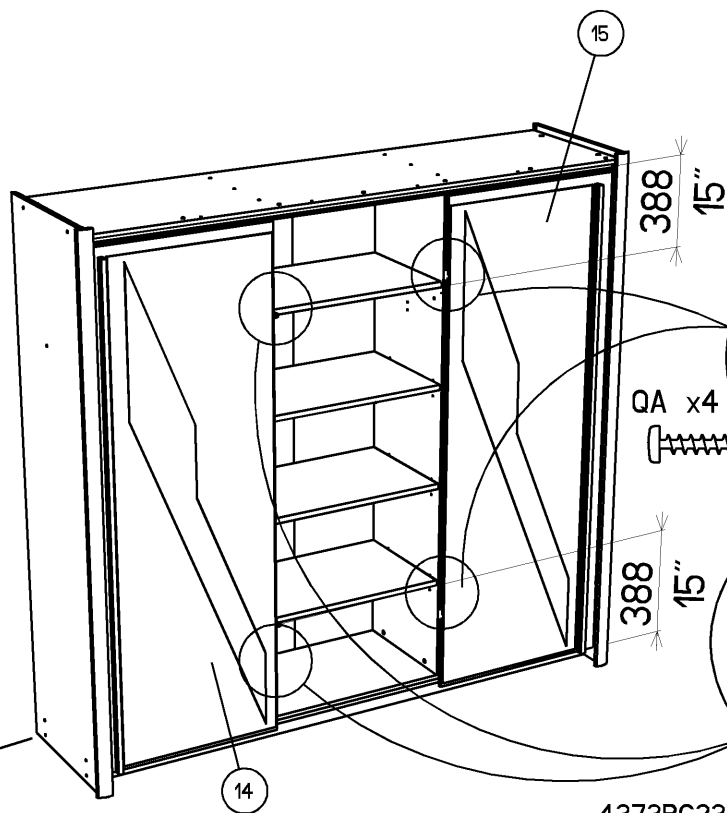
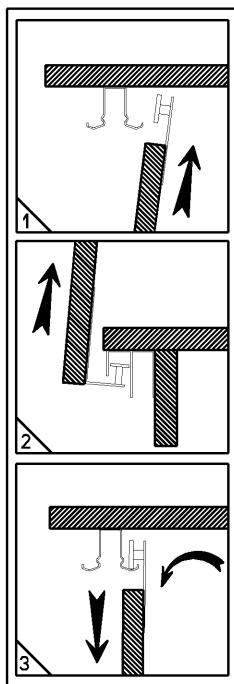


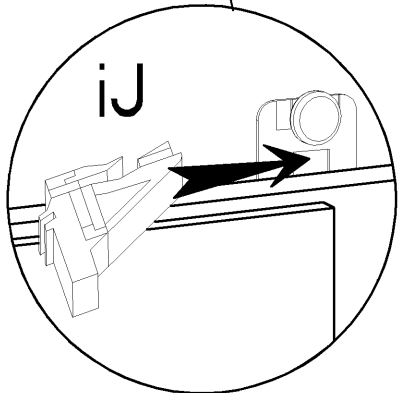
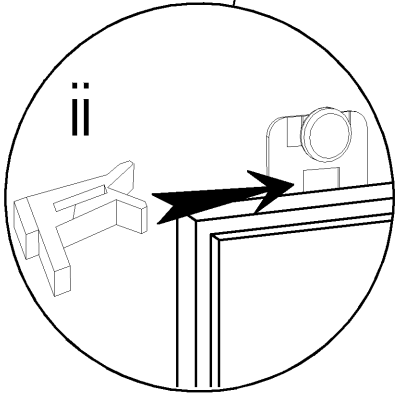
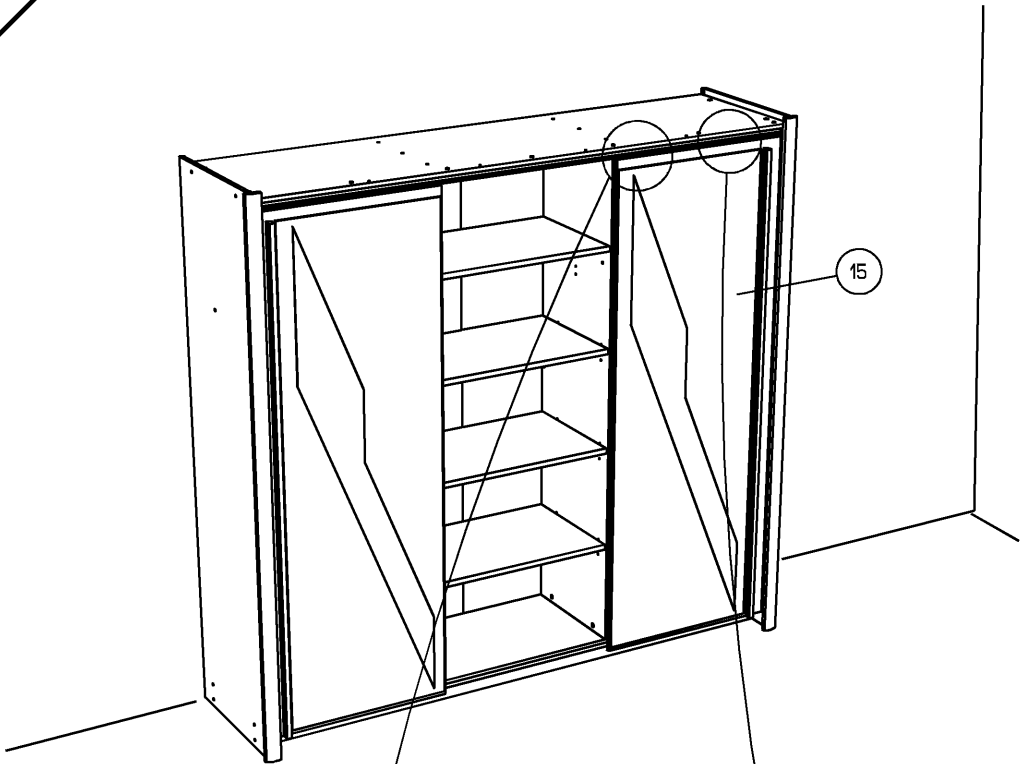
x3

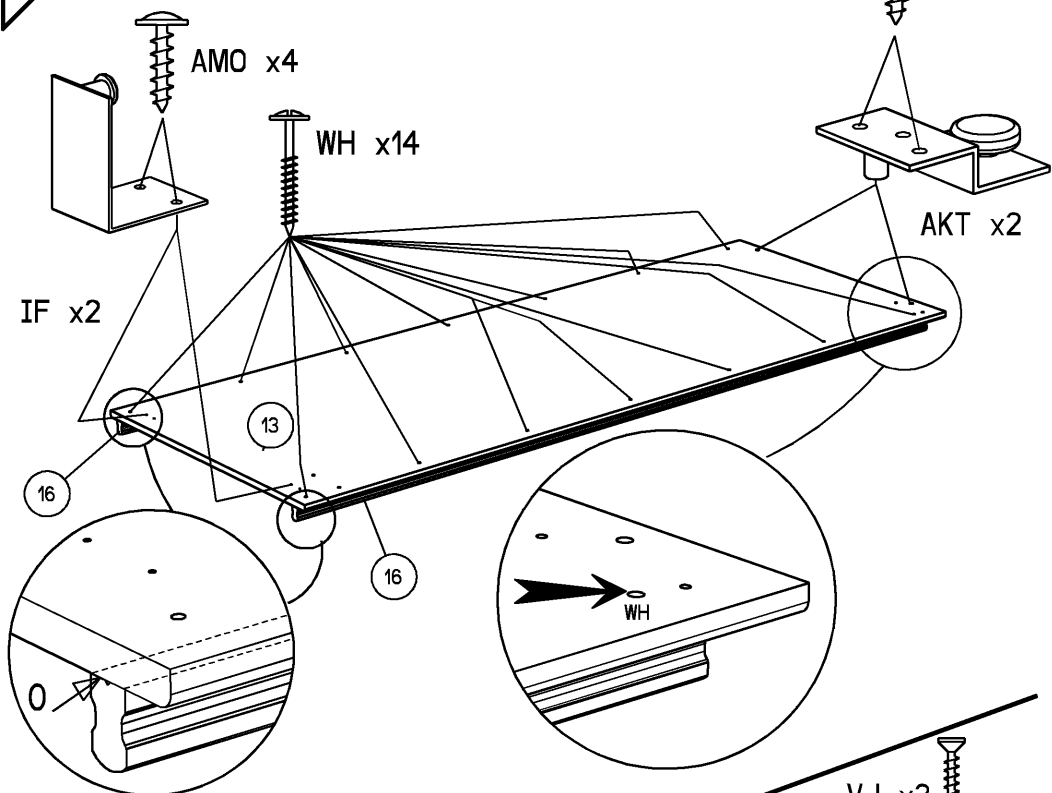
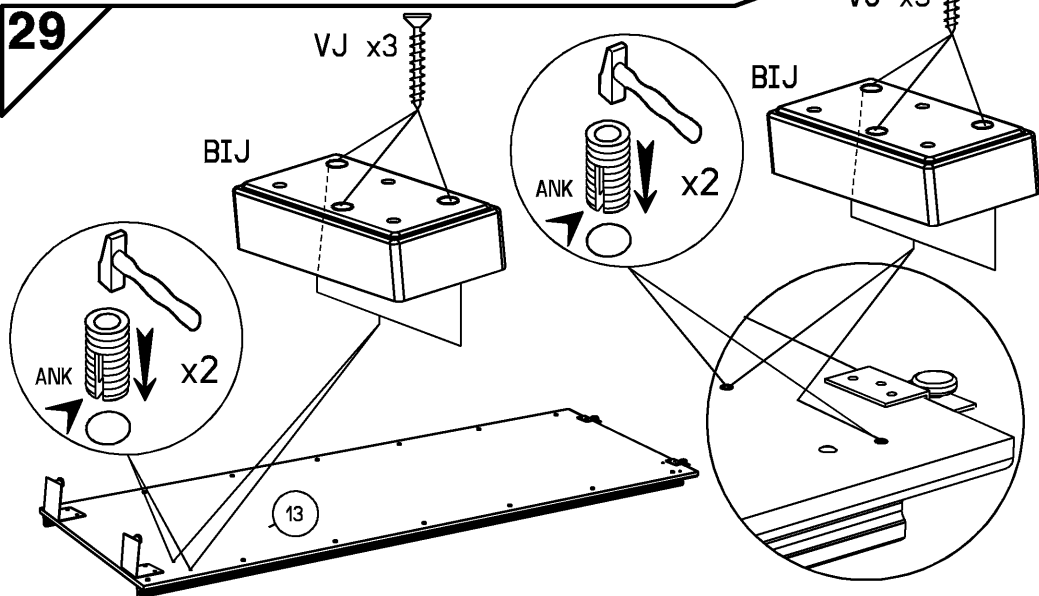


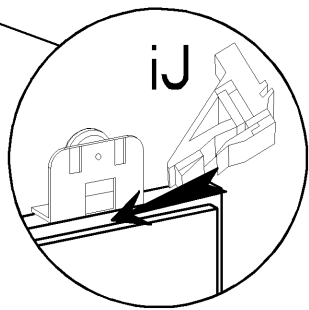
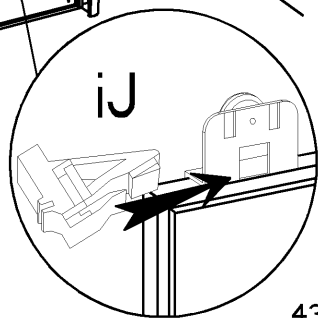
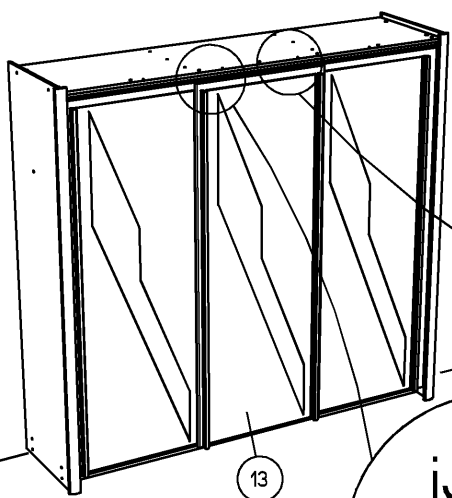
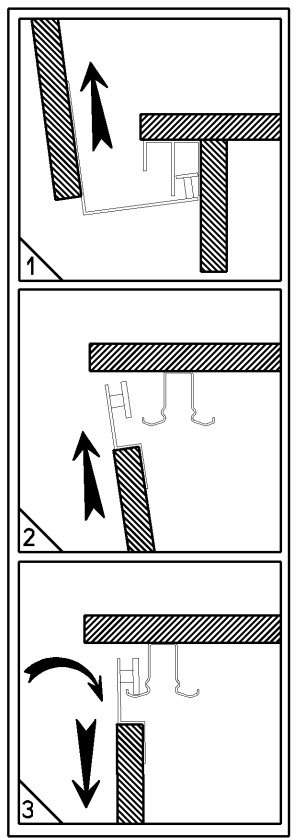
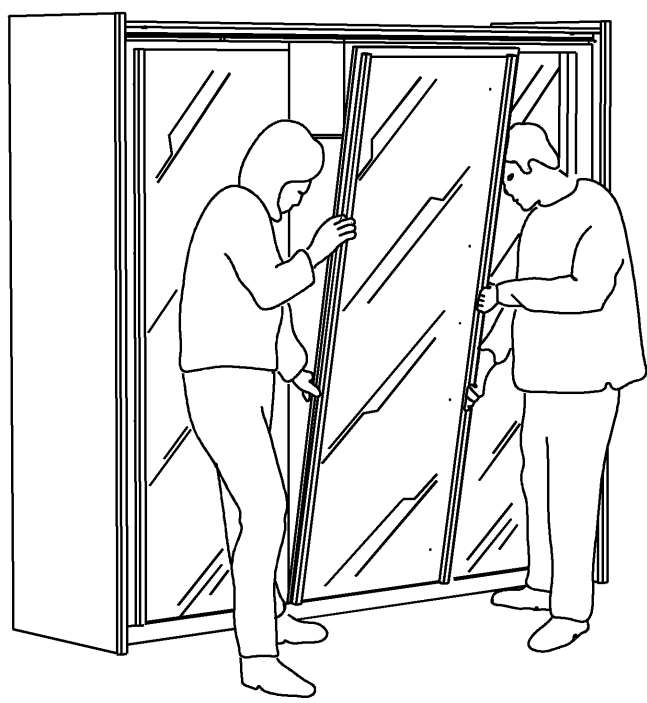


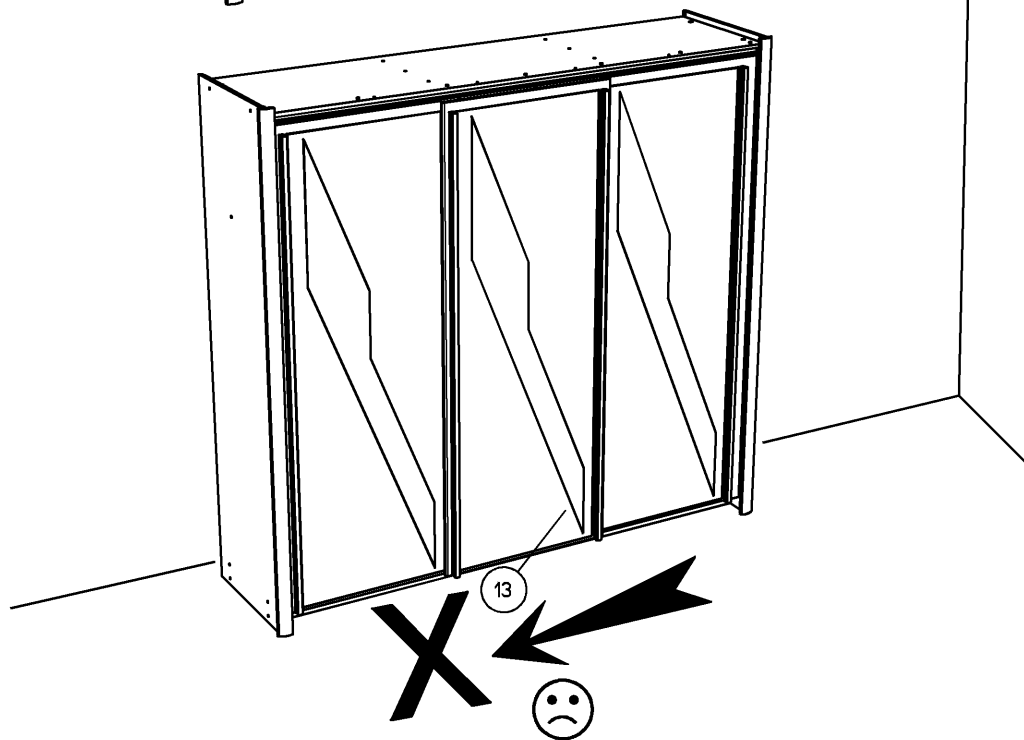
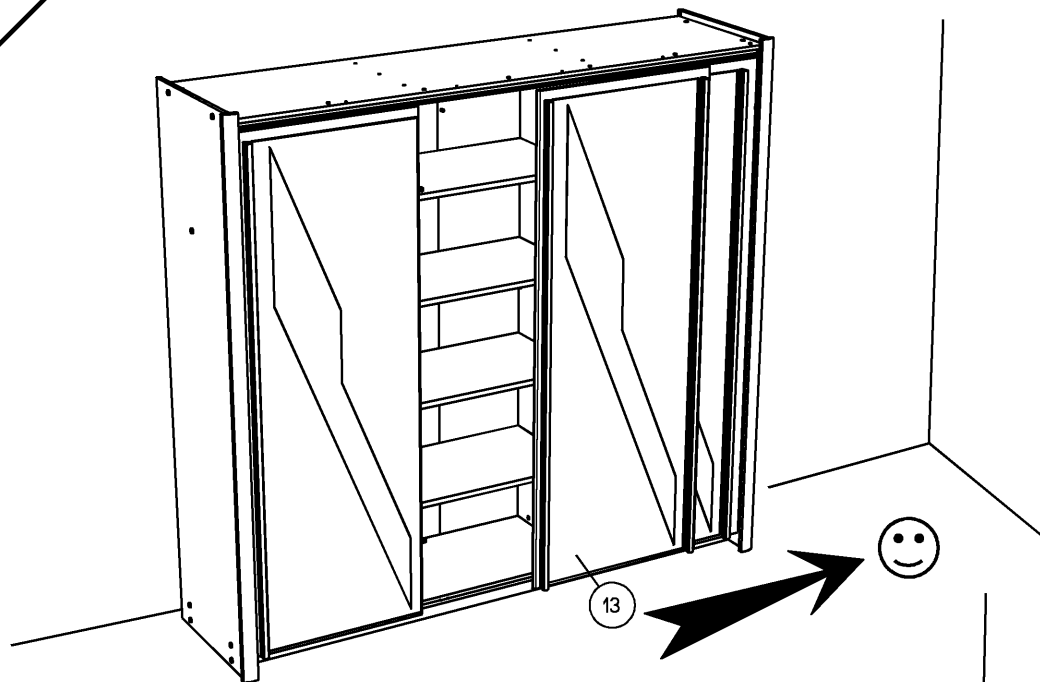






28**29**





VB x 4

BLL x 4

12

