

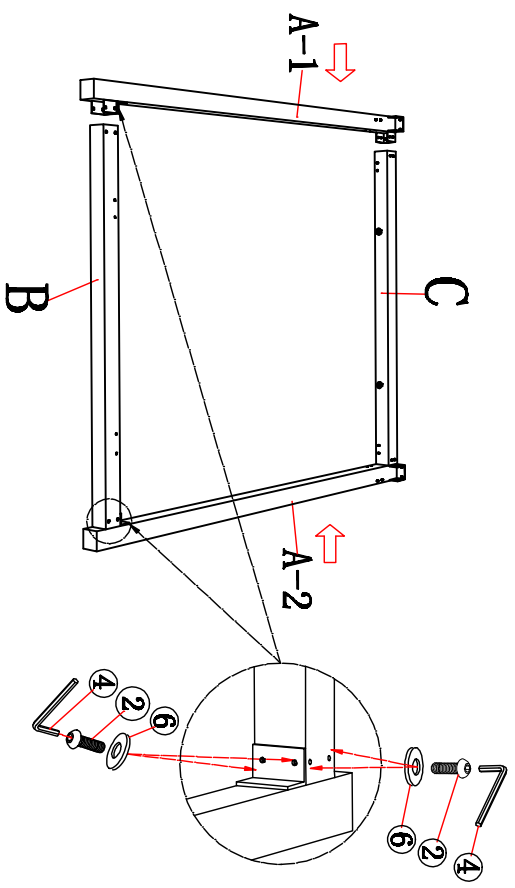
PARTLIST

A-1		x2
A-2		x2
B		x2
C		x2
D		x4
E		x2
F		x1
G		x2
H		x8
I-1		x2
I-2		x2
J-1		x4
J-2		x2
K		x2
L		x1
M		x1
N		x4
O		x3
P		x1

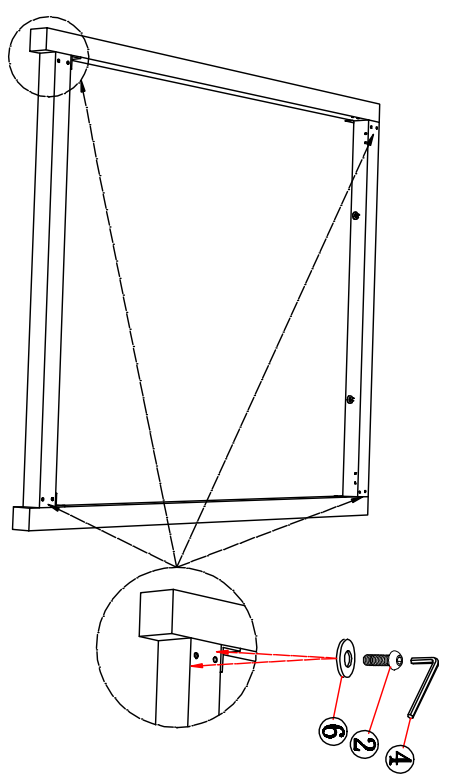
SCREWS AND TOOL

①	M6*20mm	x56
②	M8*20mm	x48
③	M8*40mm	x2
④	M5	x1
⑤	M4	x1
⑥	$\phi 16*8mm$	x48
⑦	$\phi 12*6mm$	x56
⑧	M10	x4
⑨	M10	x2

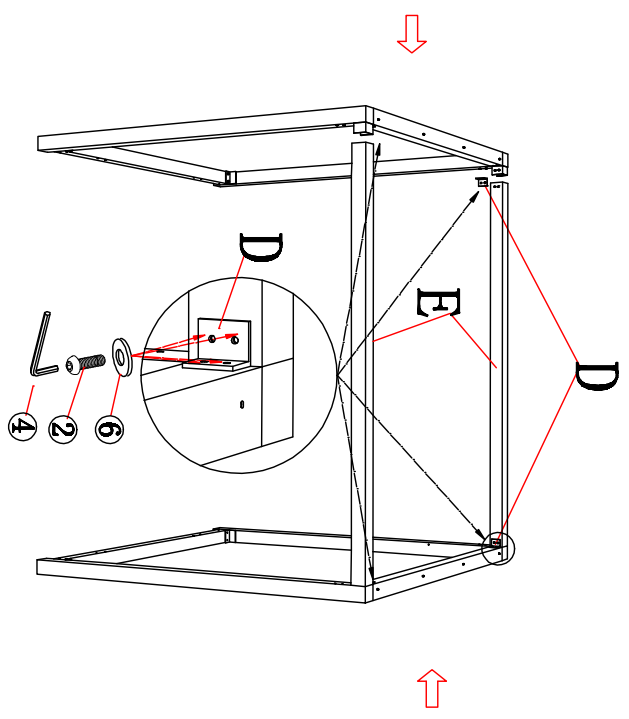
STEP 1



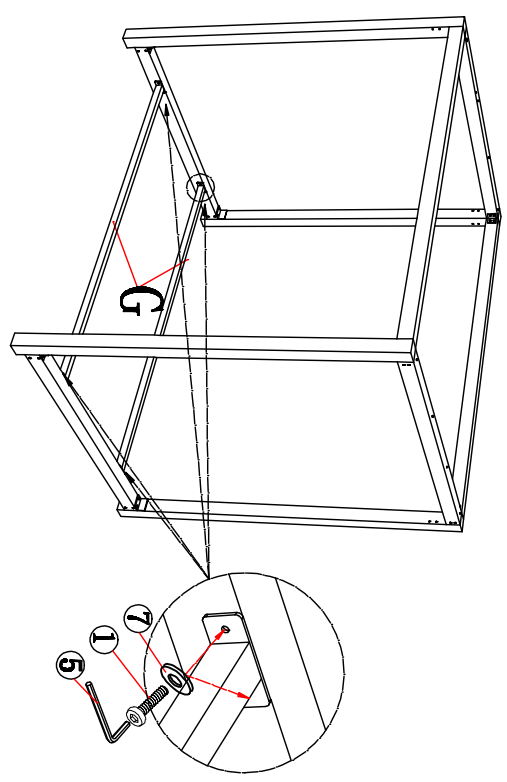
STEP 2



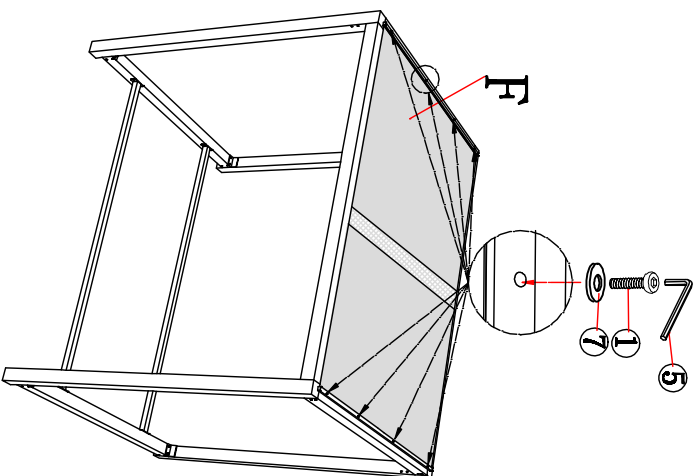
STEP 3



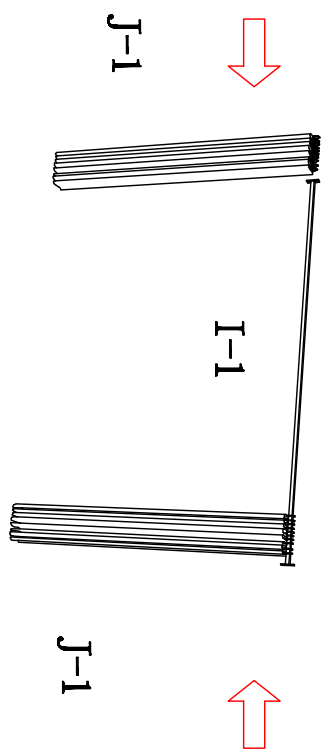
STEP 4



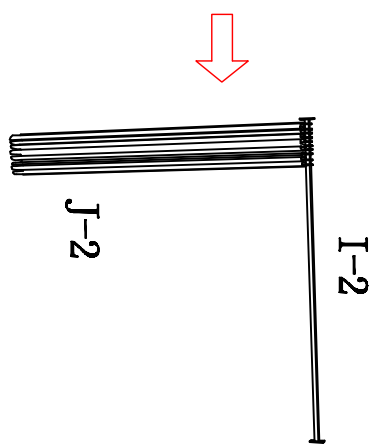
STEP 5



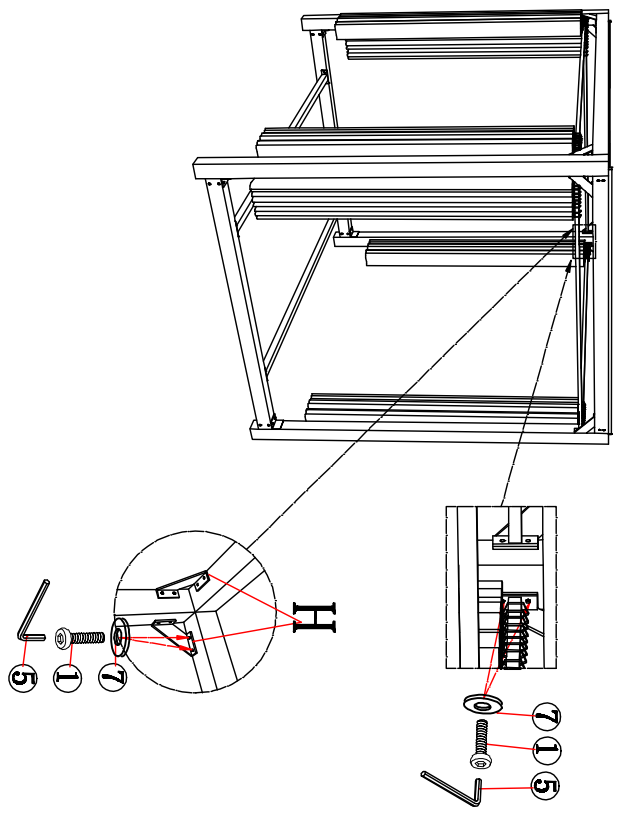
STEP 6



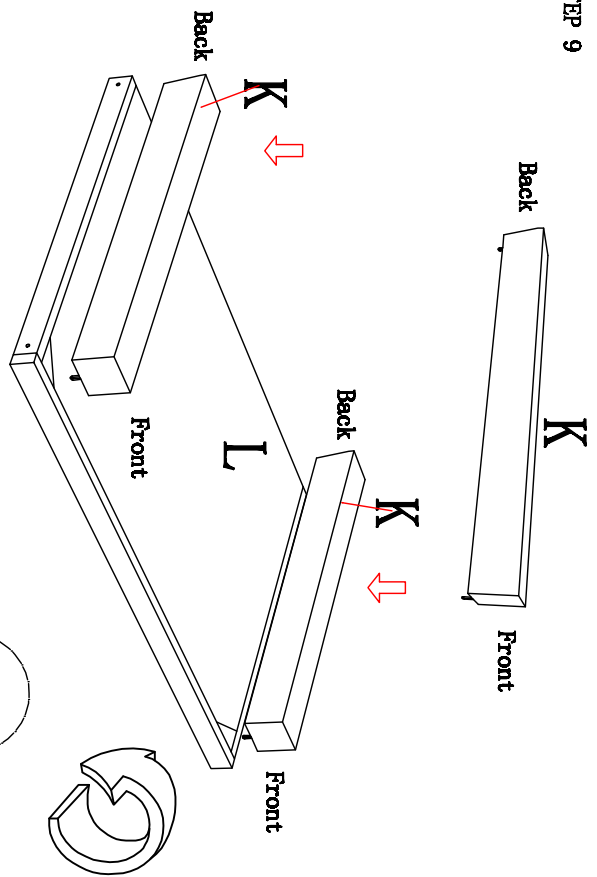
STEP 7



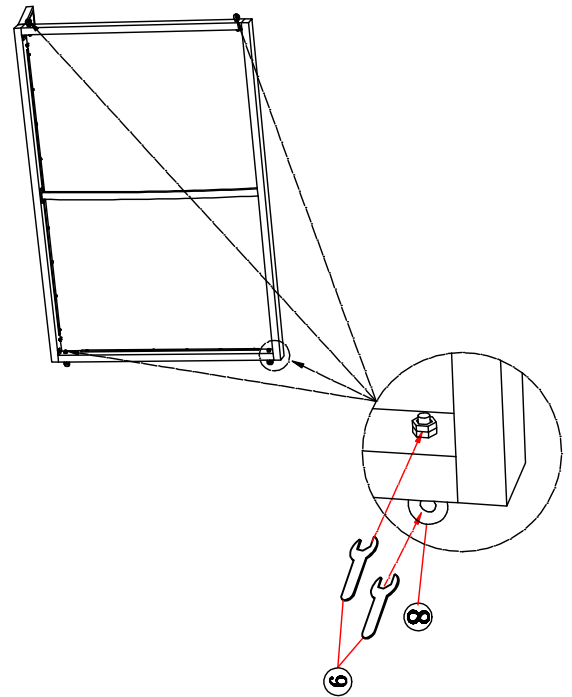
STEP 8



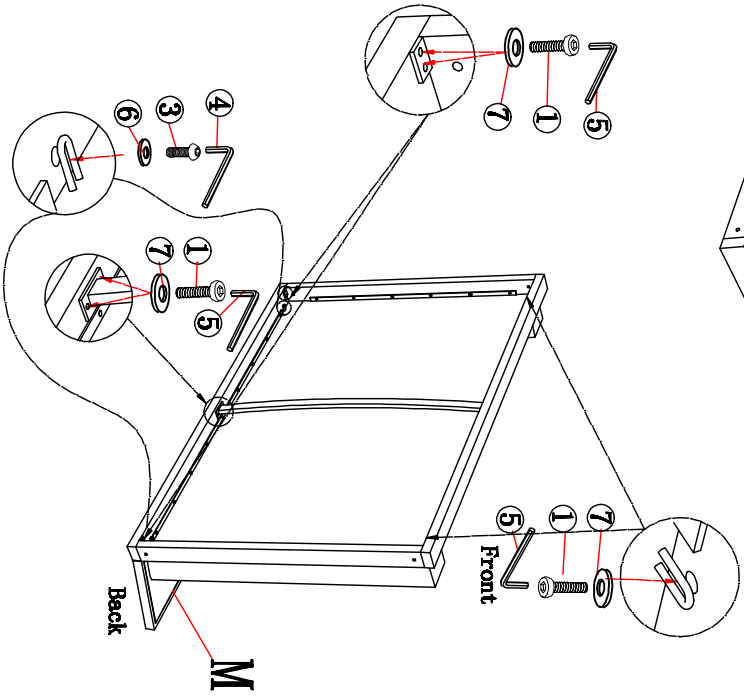
STEP 9



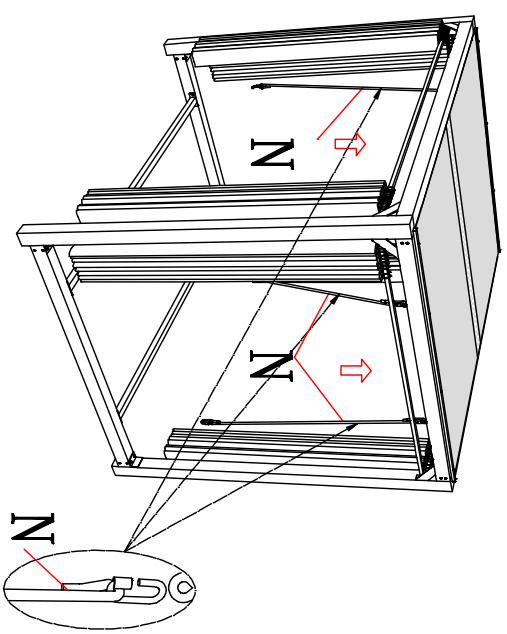
STEP 11



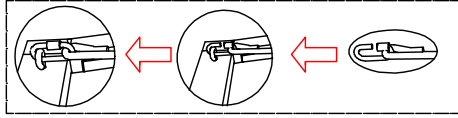
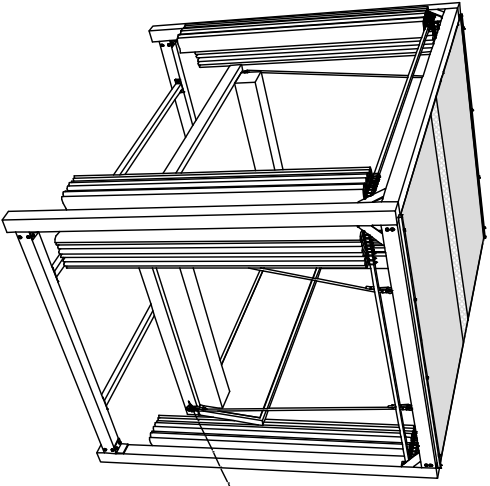
STEP 10



STEP 12



STEP 13



STEP 14

