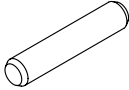
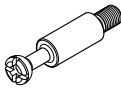
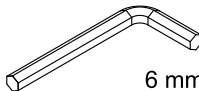
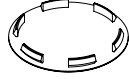


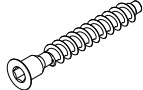
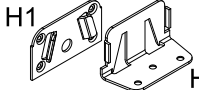

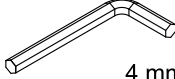


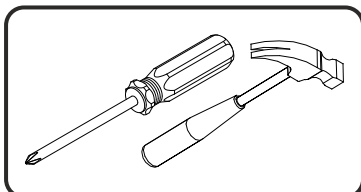
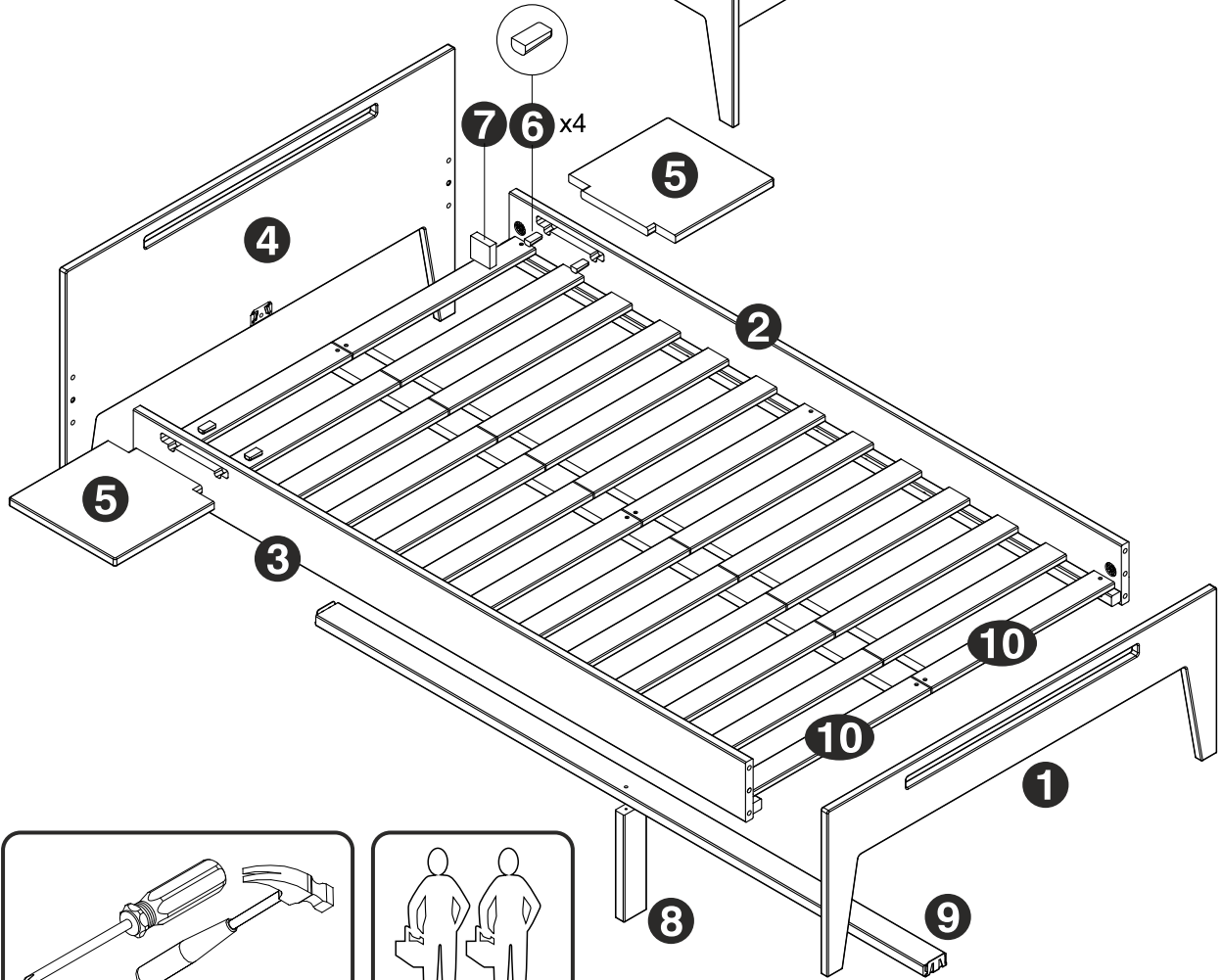
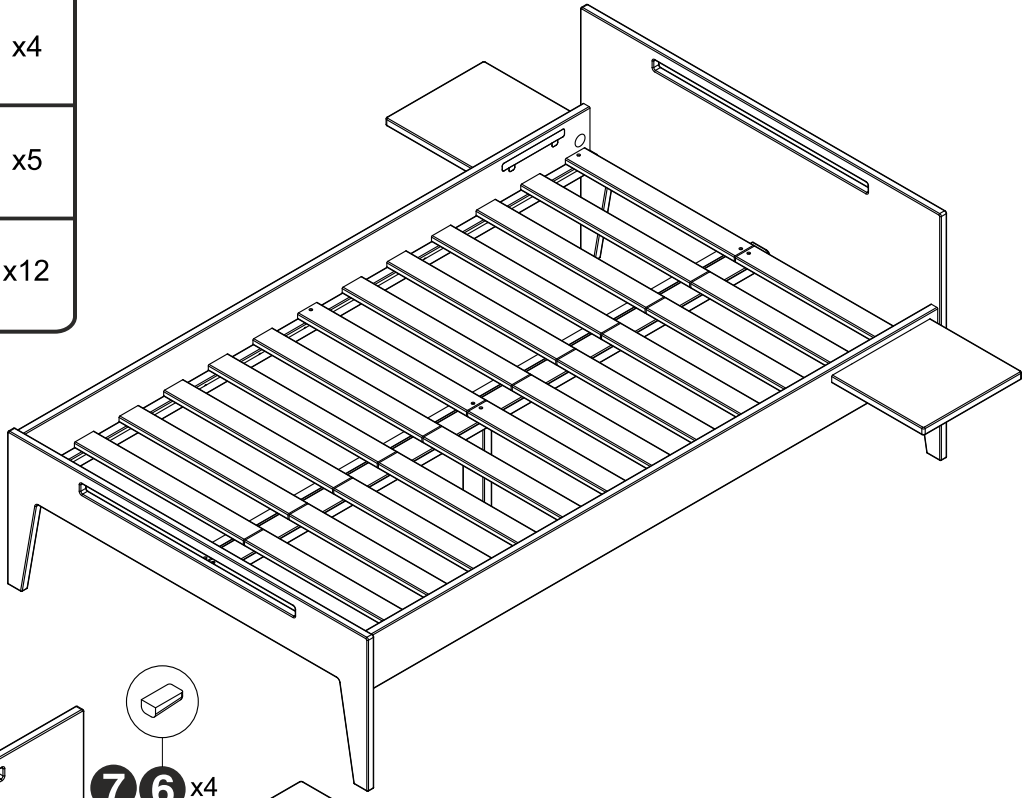
A		x9
B		x4
C	 6 mm	x1
D		x4
E		x5
F	 Ø4x35	x12

G		x1
H		x2
J	 Ø3,5x20	x14

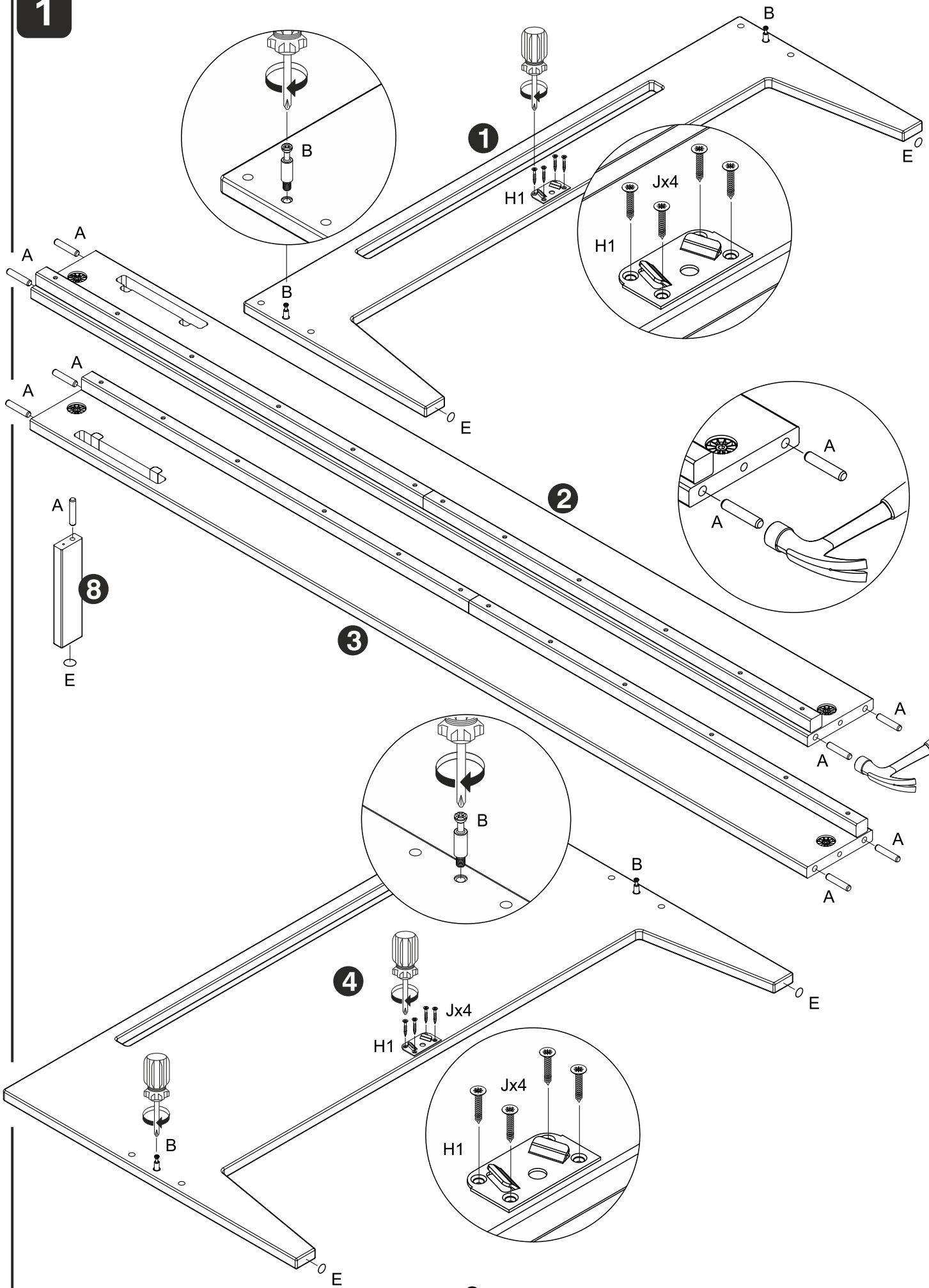
K	 4 mm	x1
---	---	----

SANDRA

1200x2000

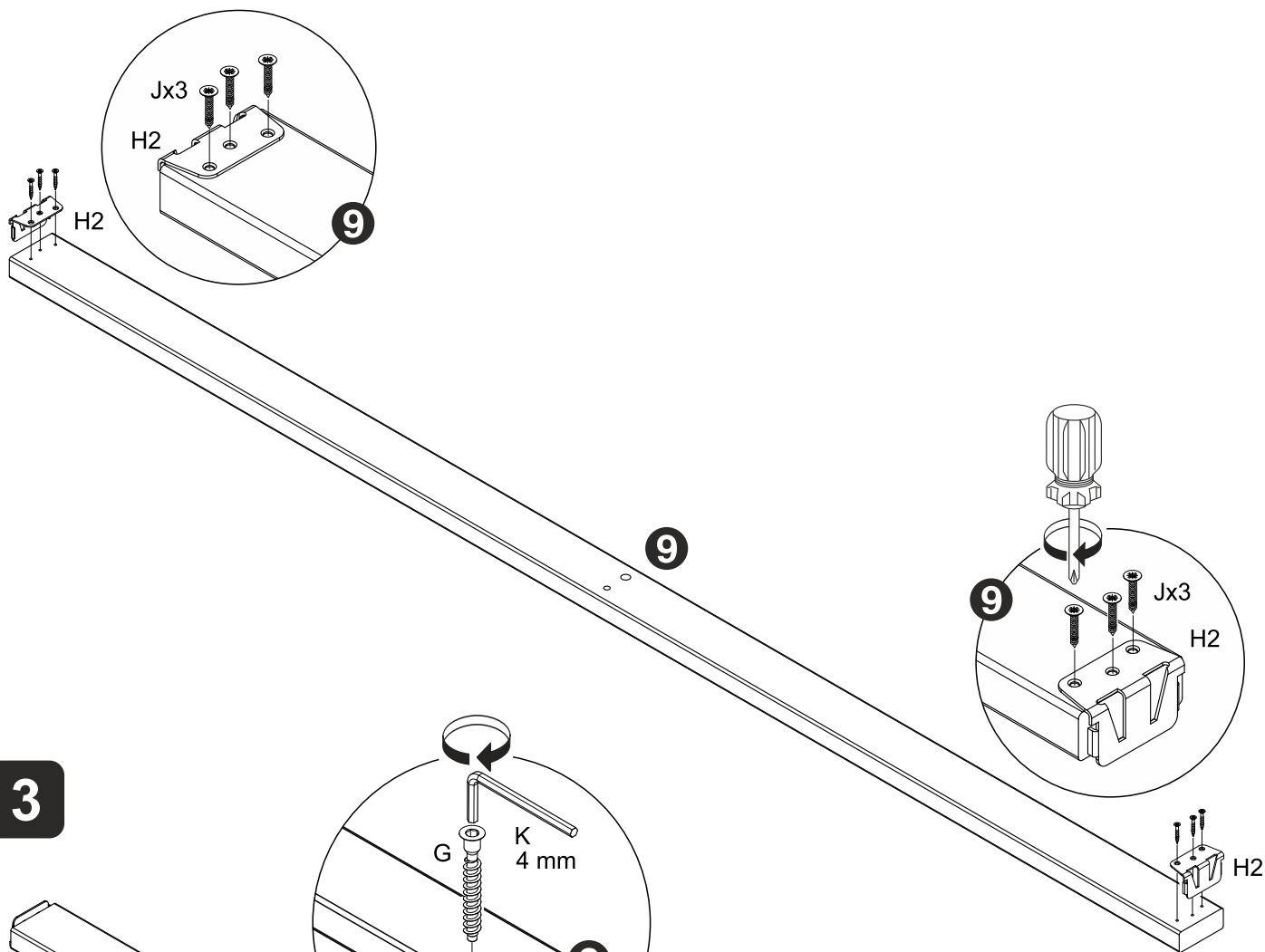


1

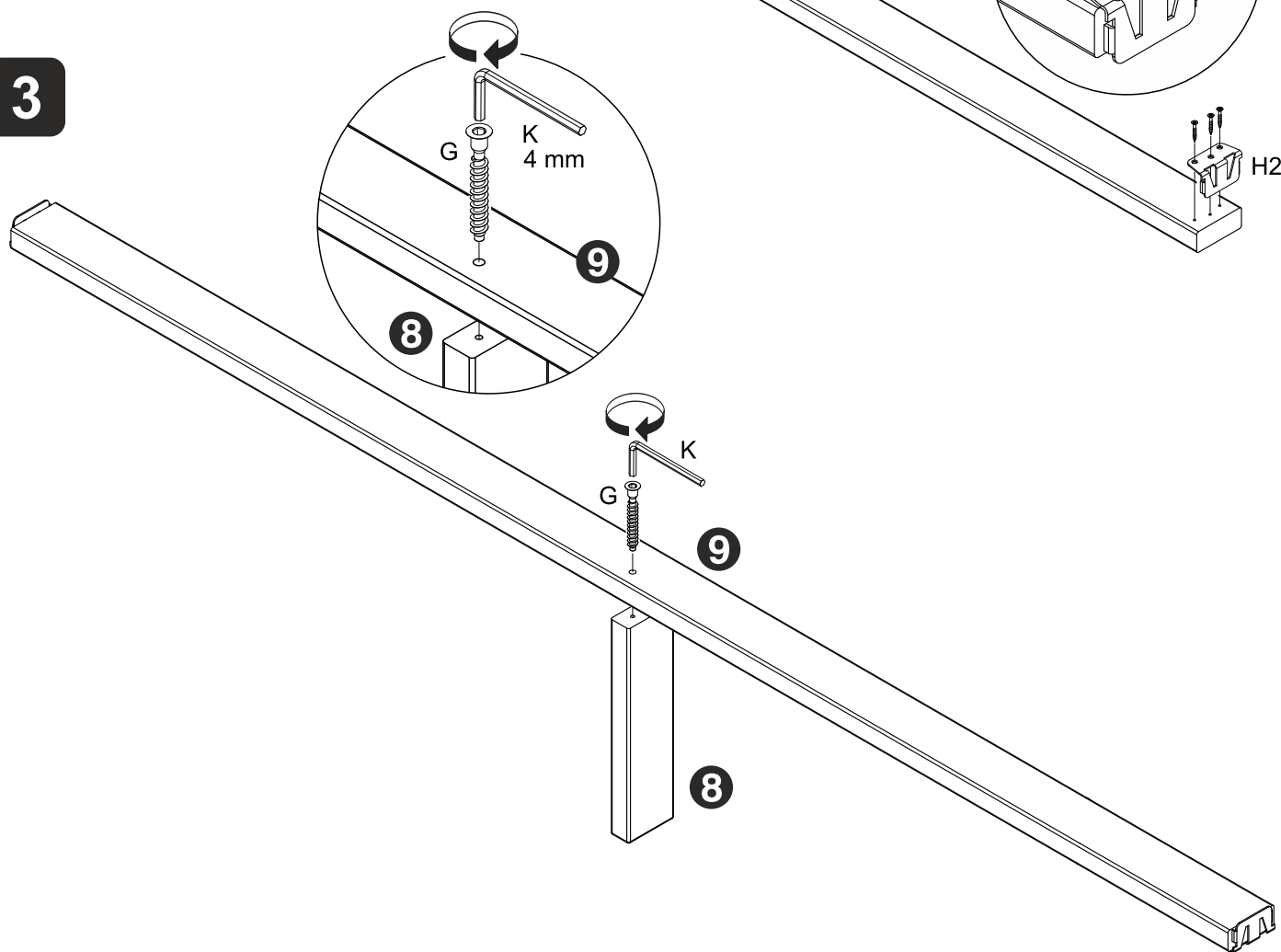


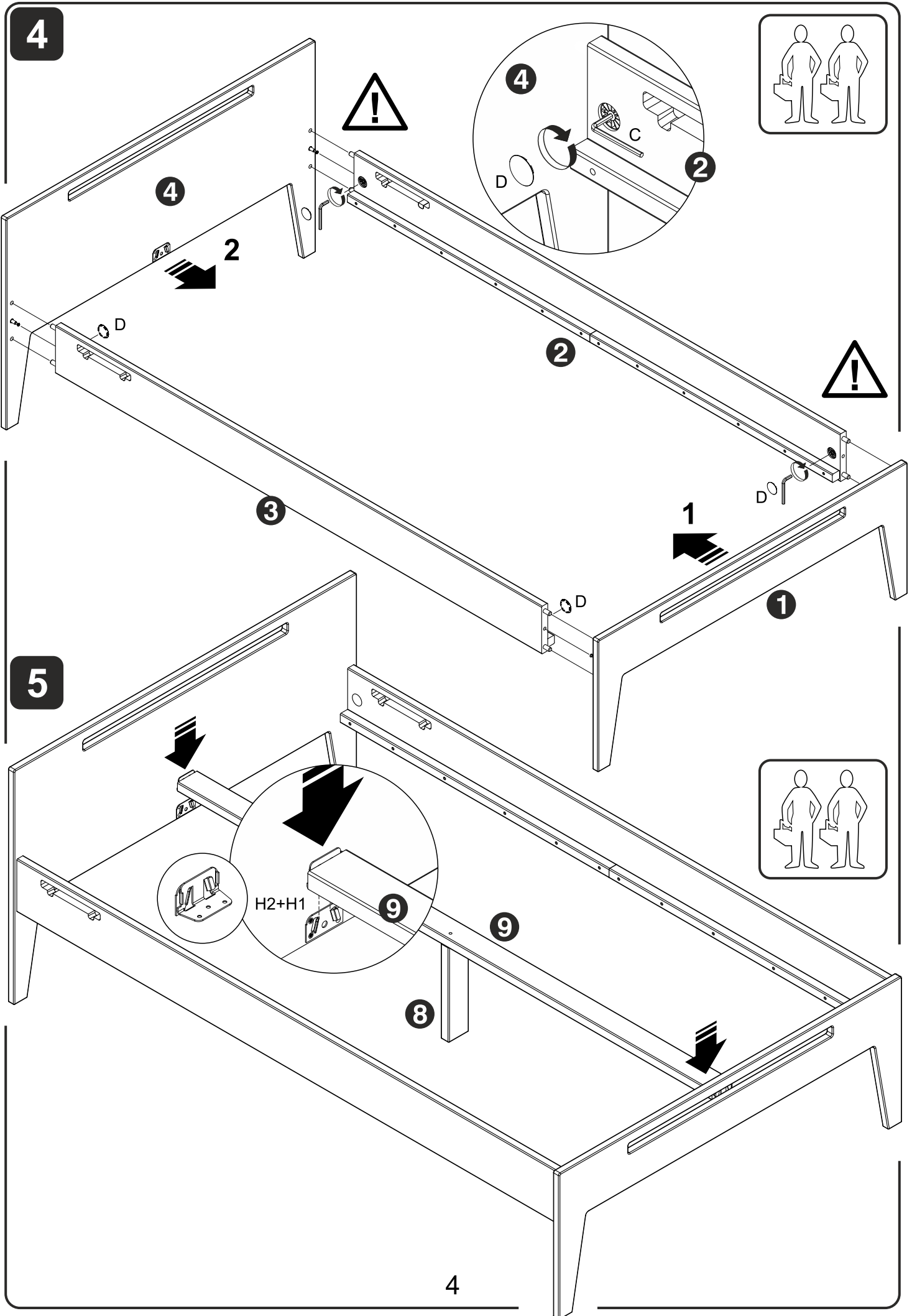
2

2

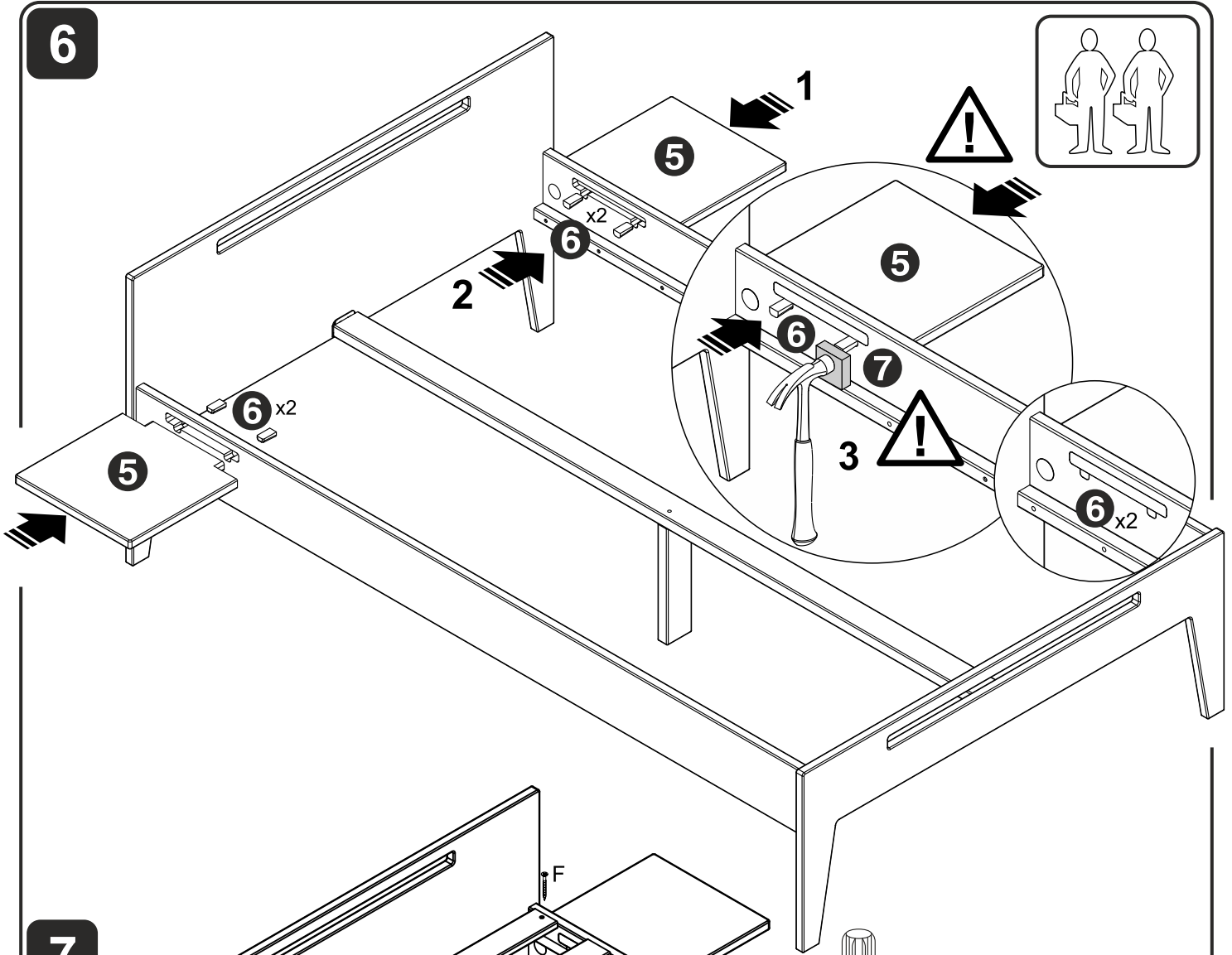


3





6



7

