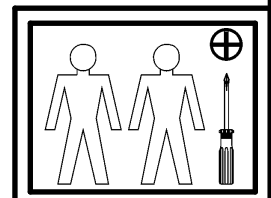
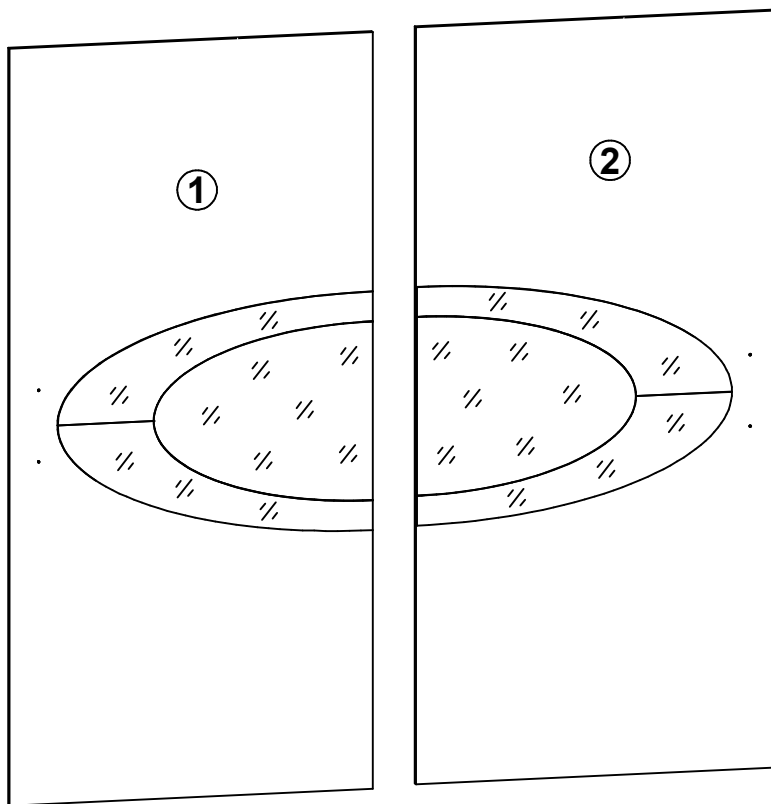
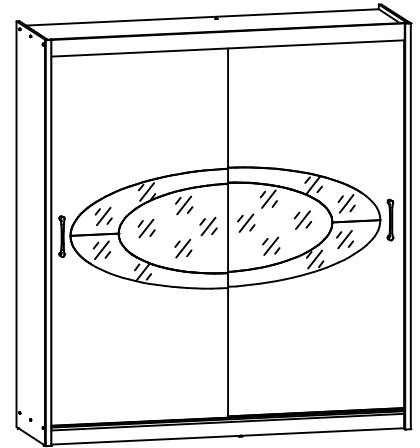
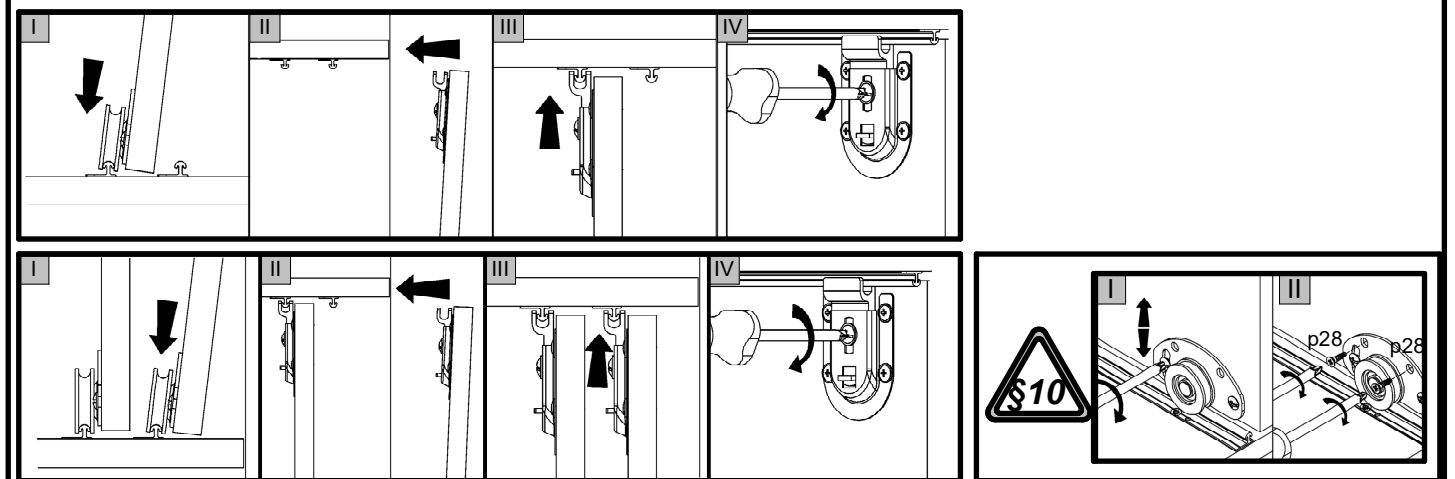
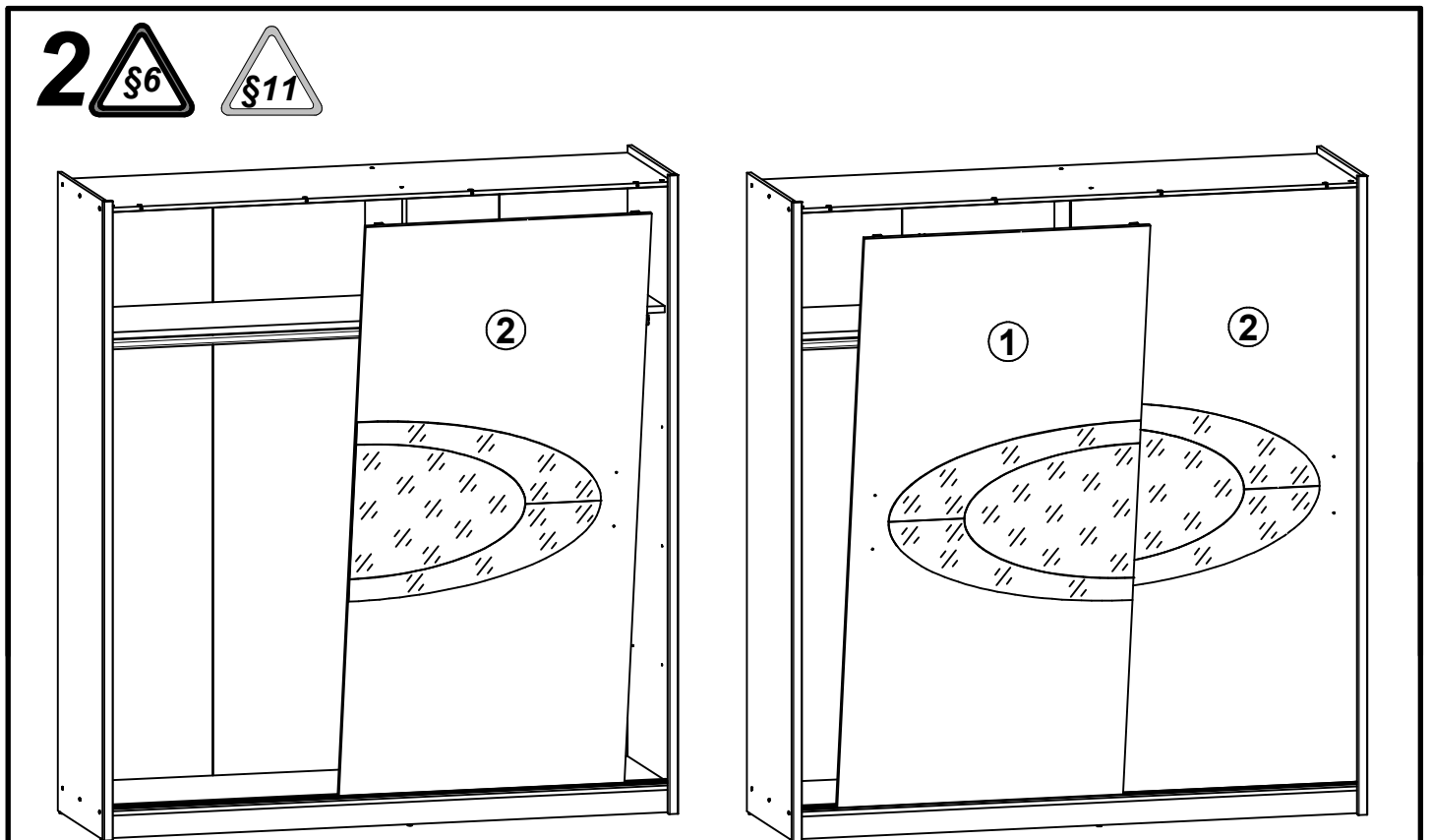
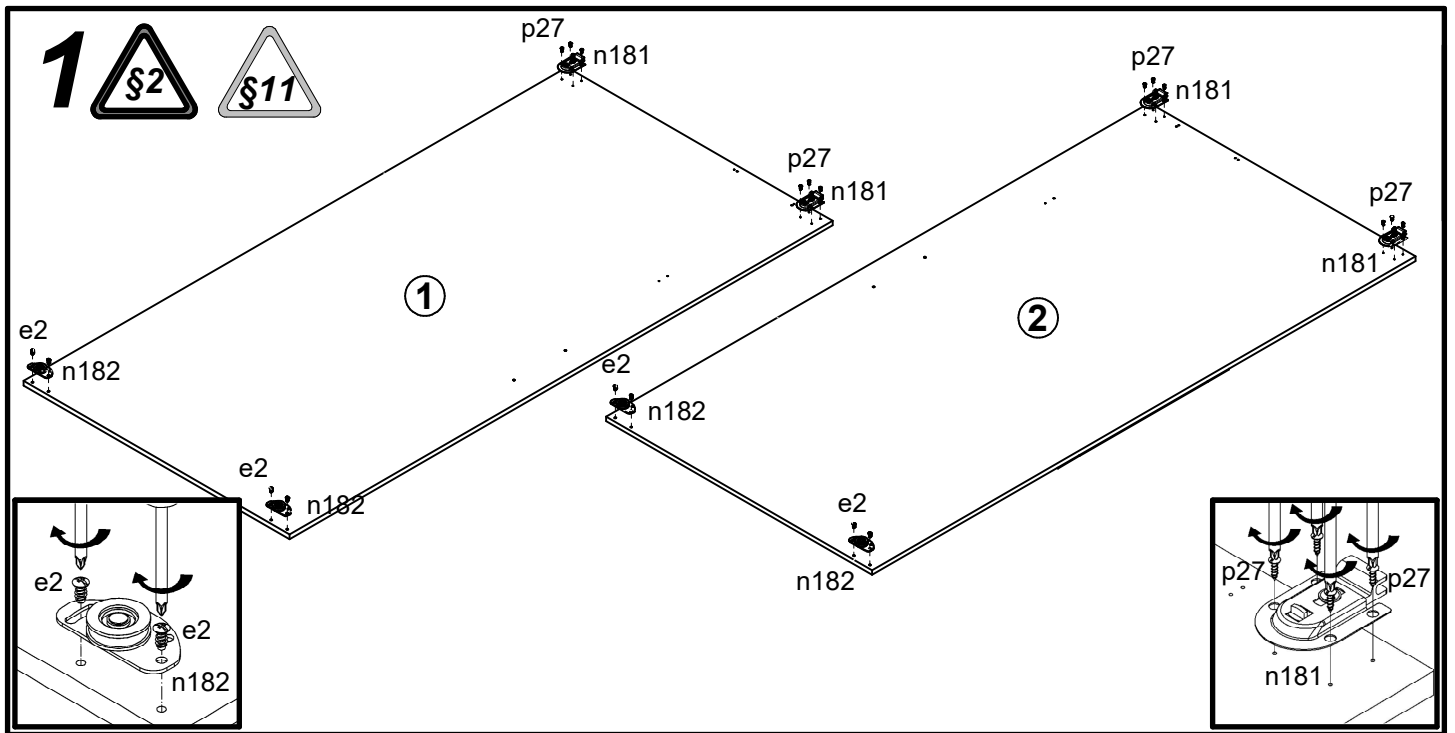


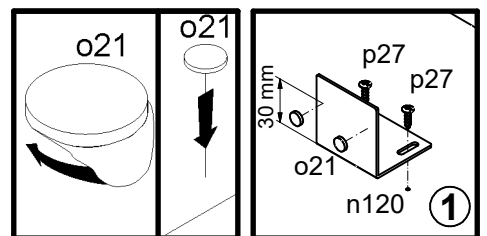
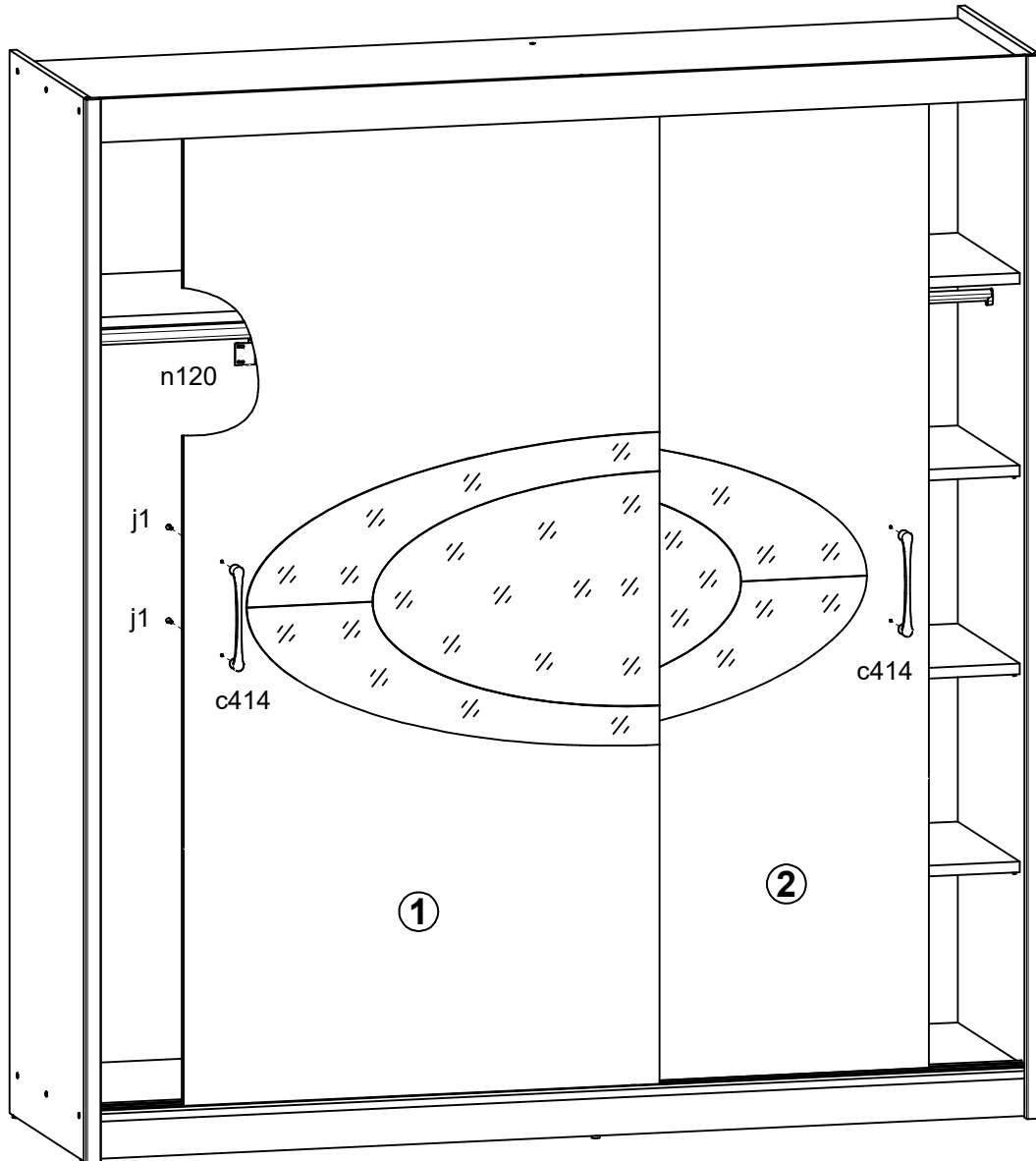
A	B	C		D
1	F38-019	995	2033	1/1
2	F38-020	995	2033	1/1



2x 192mm c414	8x Ø6.3x13 mm e2	4x M4x20 mm j1	1x 40x45x45/1.5 n120	4x n181
4x n182	18x Ø3.5x13 mm p27	8x Ø4x13 mm p28	2x silikon o21	



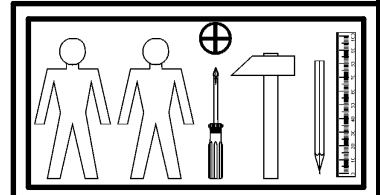
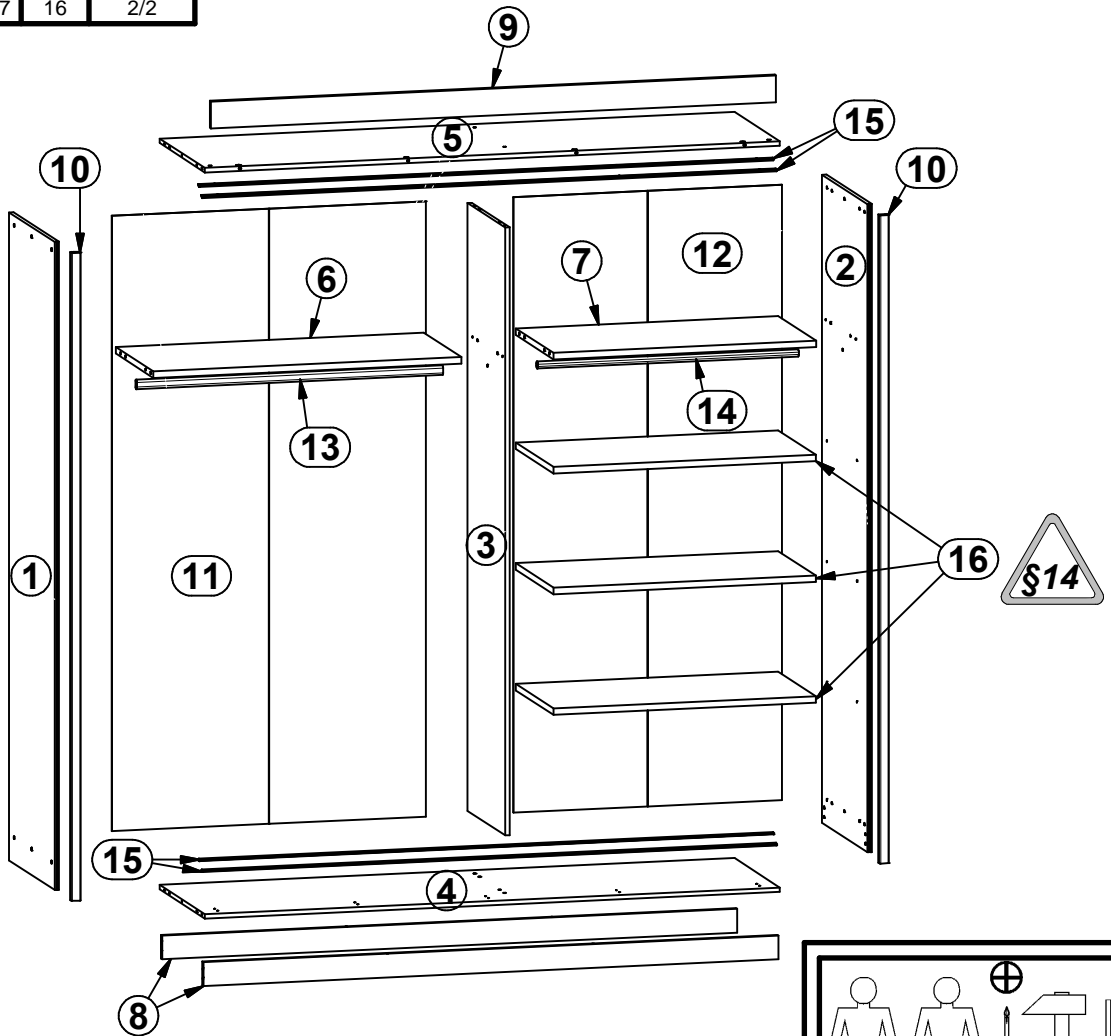
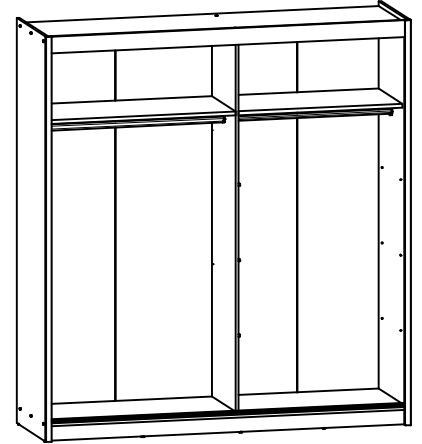
3



A	B	C	D	
1	F38-101	2180	581	1/2
2	F38-102	2180	581	1/2
3	F38-103	2045	483	1/2
4	F38-301	1969	580	2/2
5	F38-302	1969	580	2/2
6	F38-303	1055	483	2/2
7	F38-304	899	483	2/2
8	F38-401	1969	80	2/2
9	F38-402	1935	90	2/2
10	F38-531	2180	32	1/2
11	F38-901	2070	1075	1/2
12	F38-902	2070	919	1/2
13	dr-1049	1049	30	2/2
14	dr-894	894	30	2/2
15	n183\2	1967	16	2/2



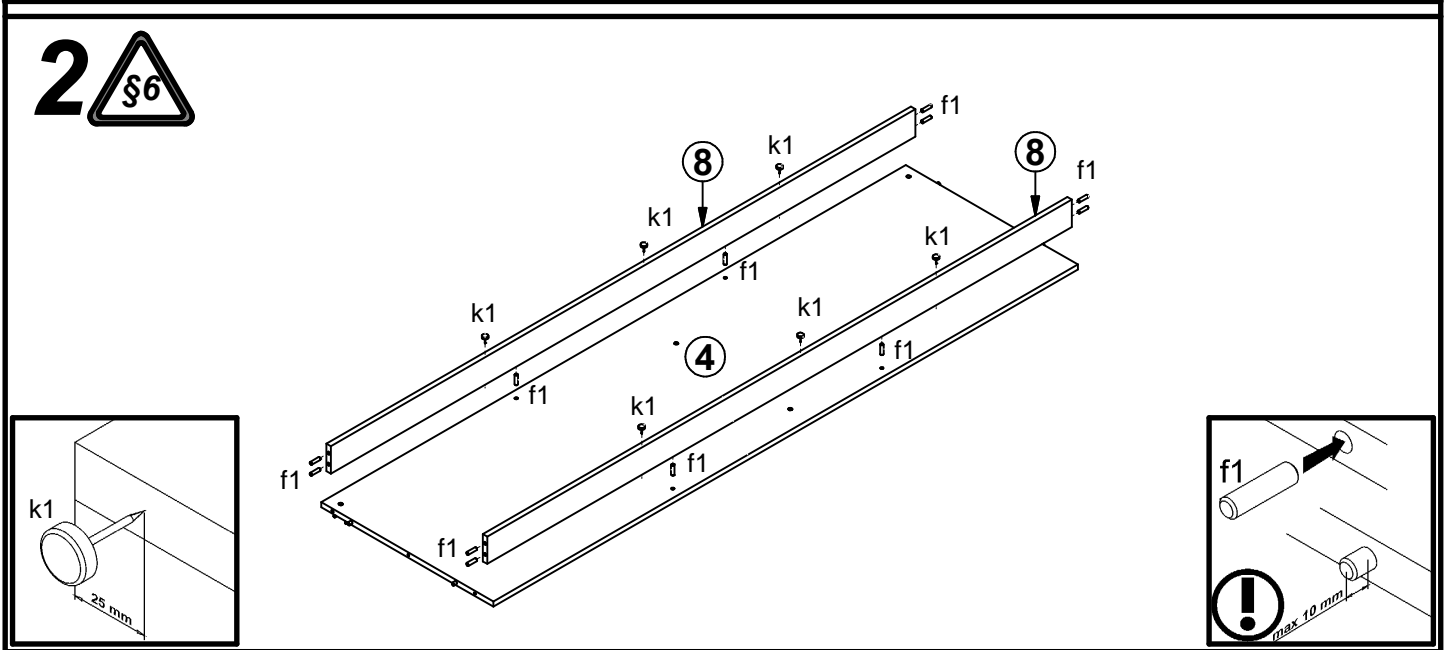
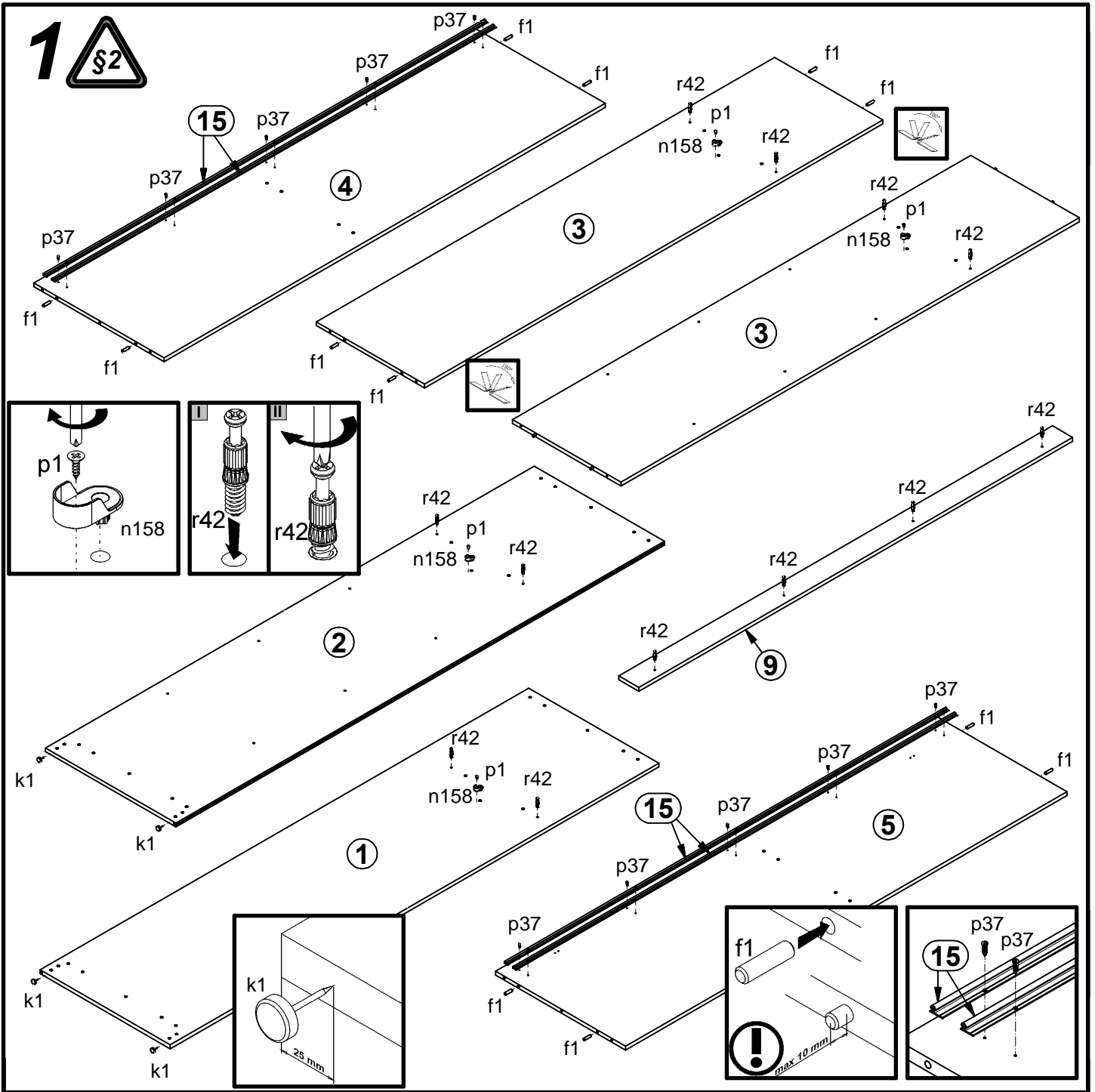
A	B	C	D	
16	F38-305	899	482	1/1



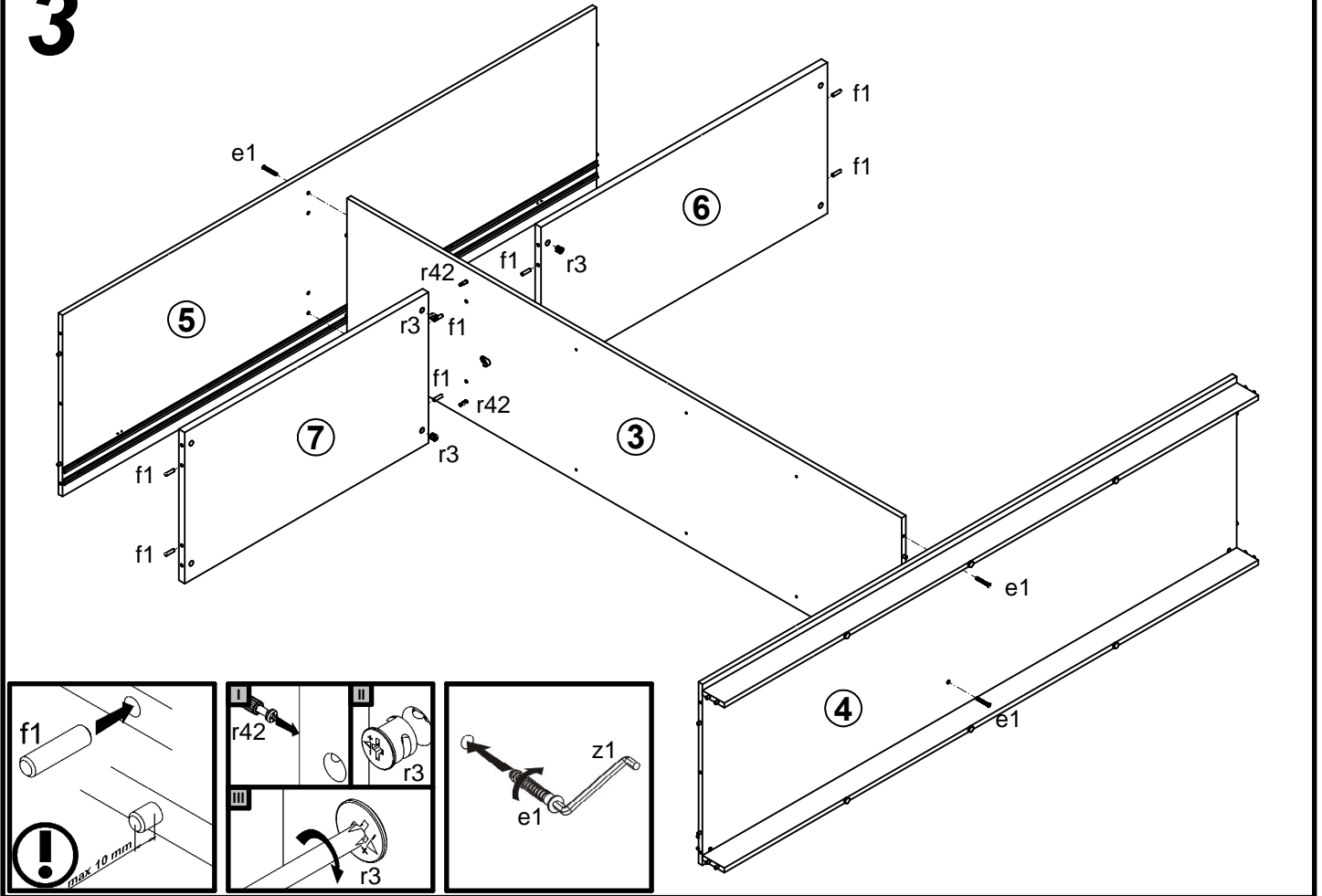
12x Ø7x50 mm e1	32x Ø8x30 mm f1	16x 46x18\4 mm f11	10x k1	110x l1	4x n158
4x Ø3,5x13 mm p1	20x Ø3x13 mm p37	32x Ø3,5x16 mm p38	4x Ø15x12 mm #16 r1	8x Ø15x15 mm #22 r3	4x Ø10x13 mm r5\1
4x M6x50 mm r5\2	12x 20\11 r42	12x s1	8x Ø16 s2	1x GLUE y1	1x z1



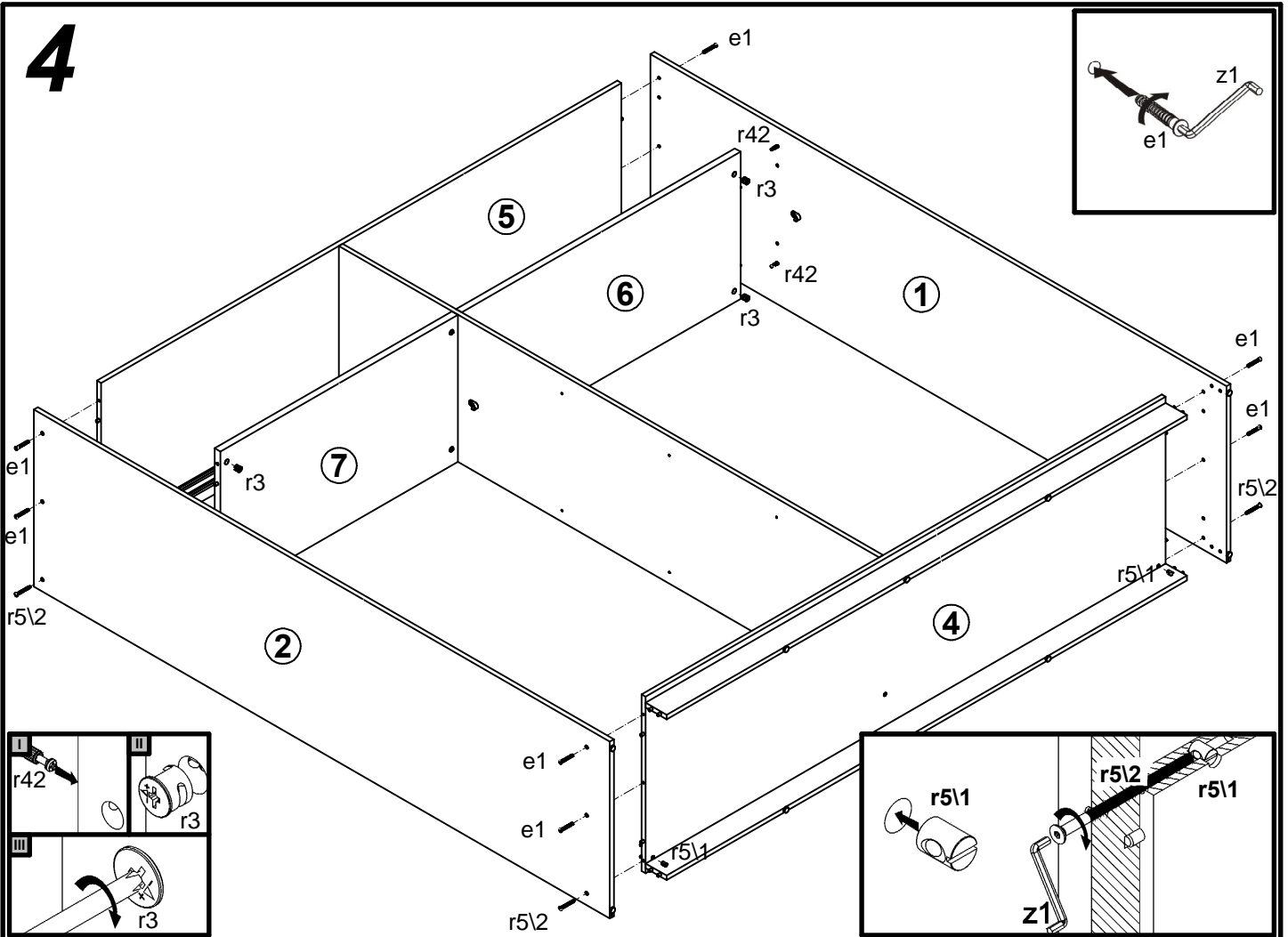
12x d28
12x Ø6,3x13 mm e5



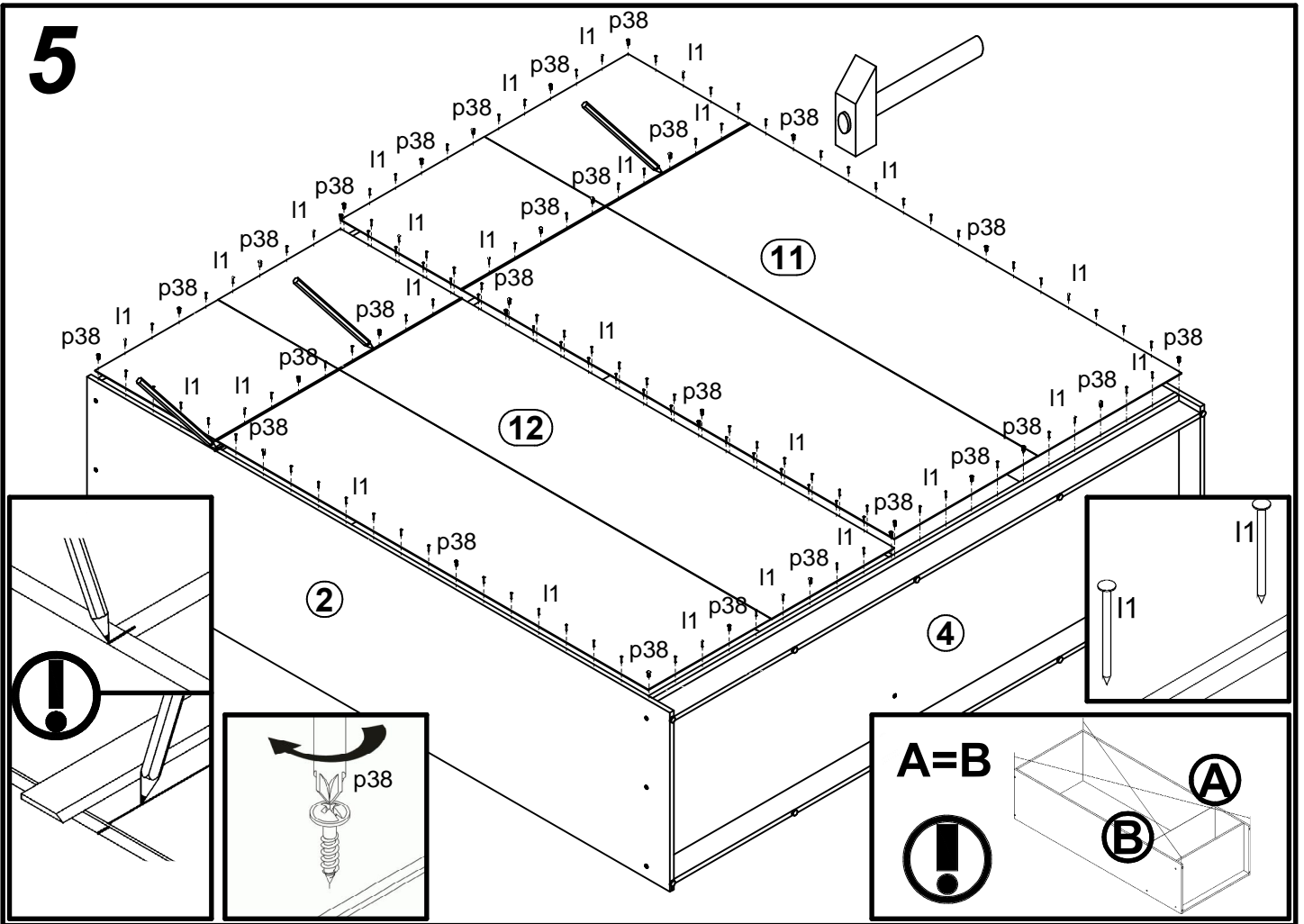
3



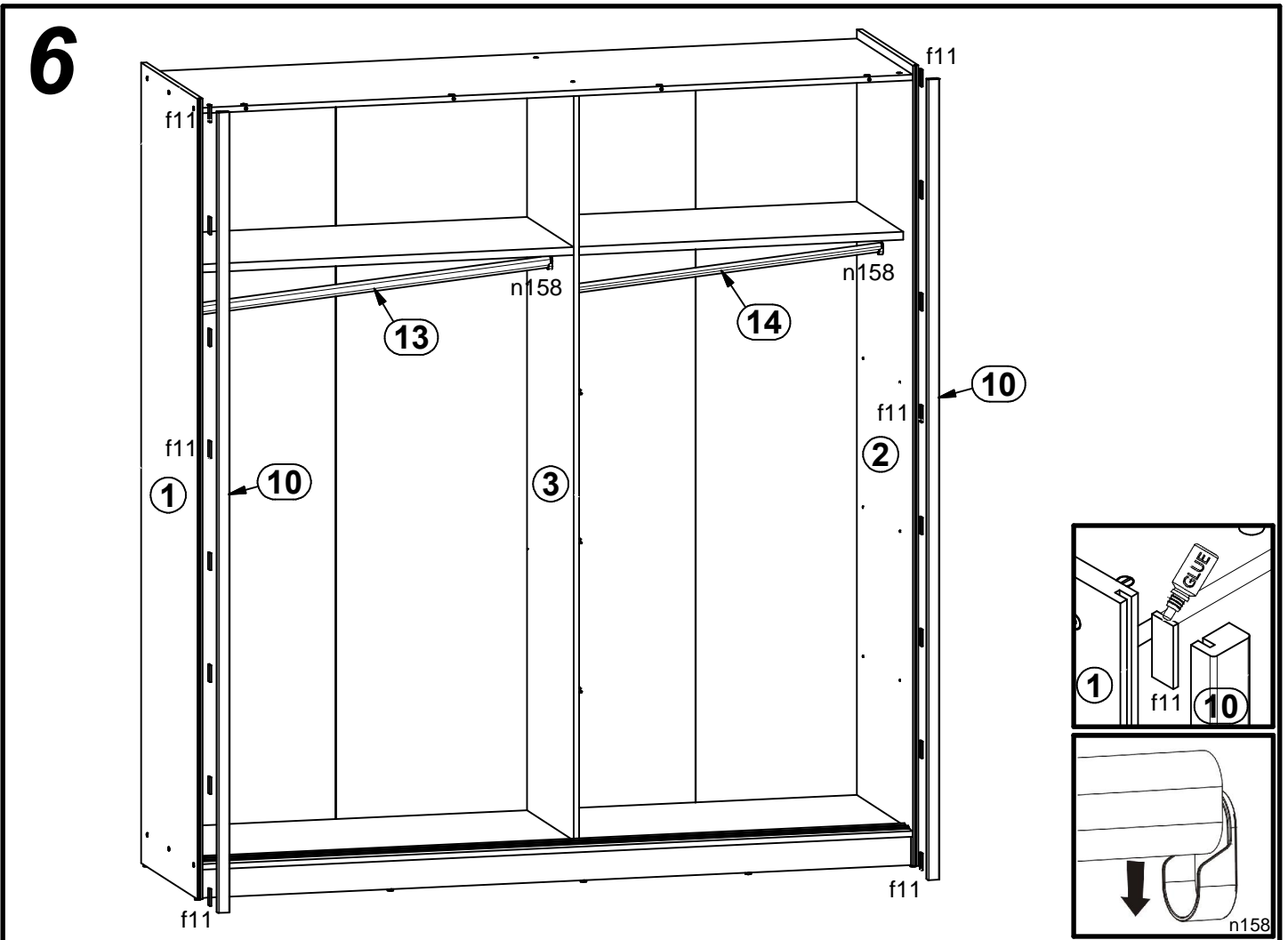
4



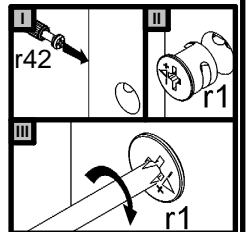
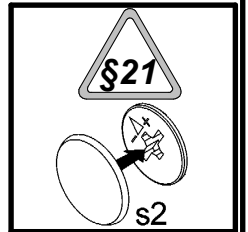
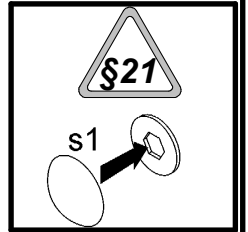
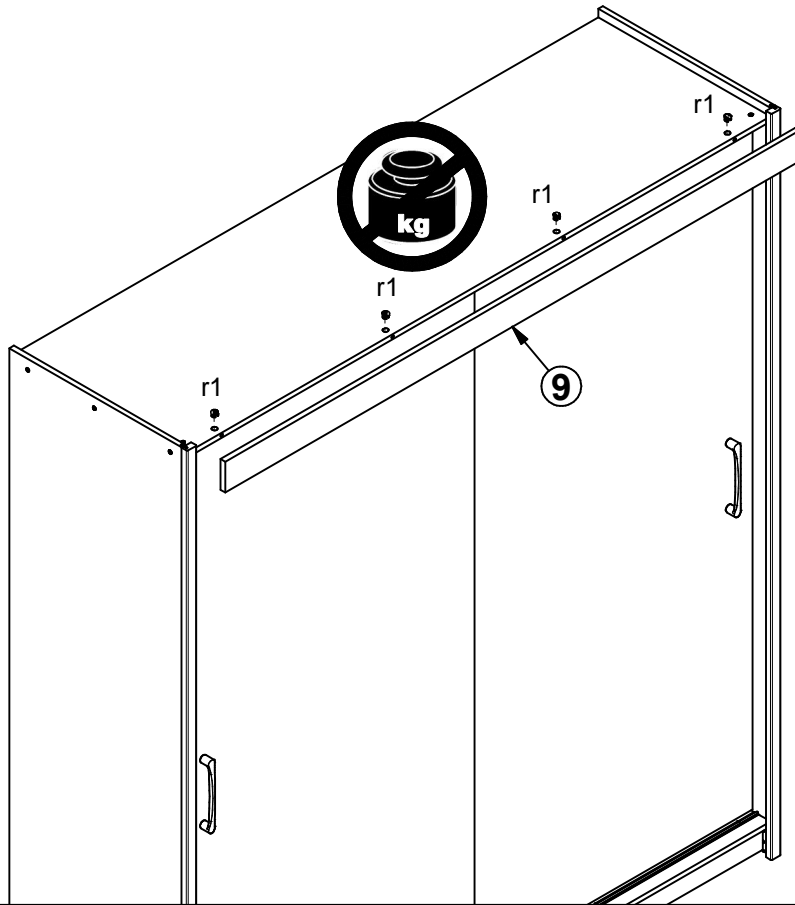
5



6



7



8

