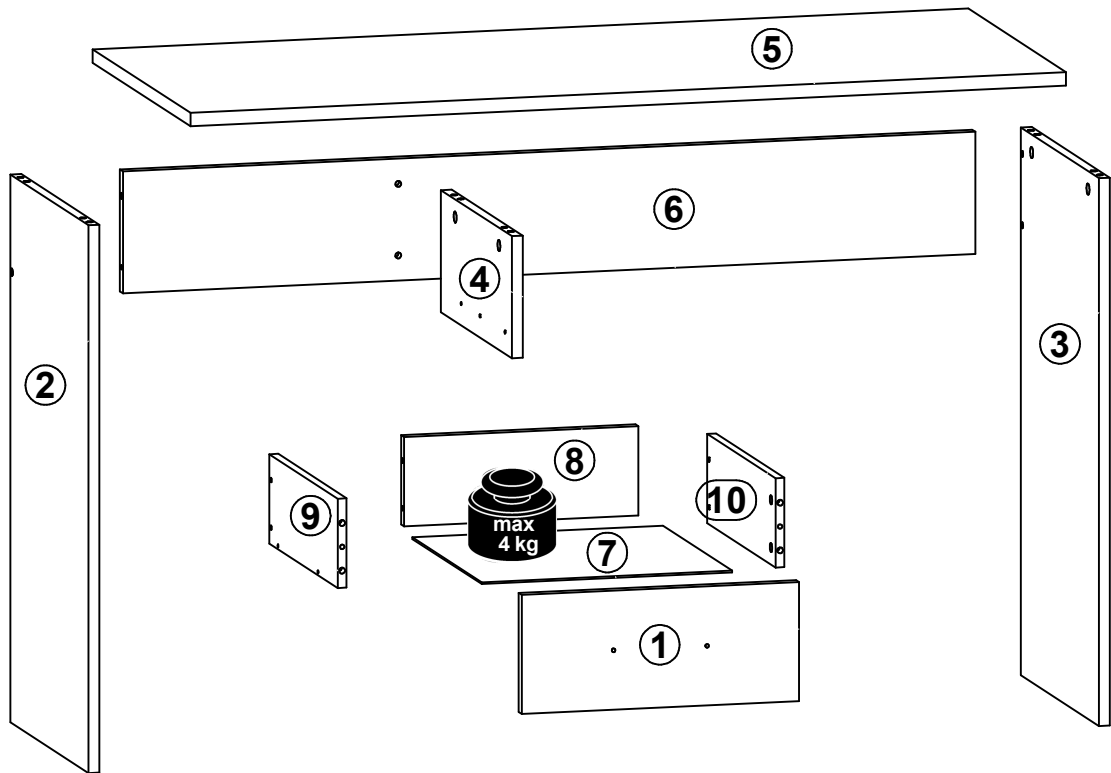
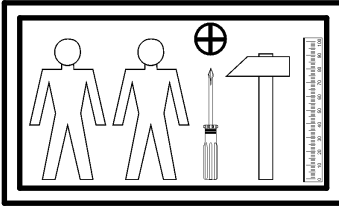
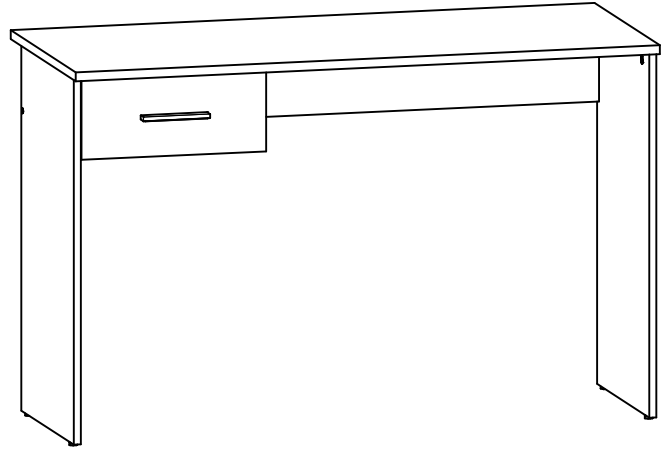
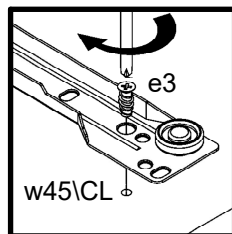
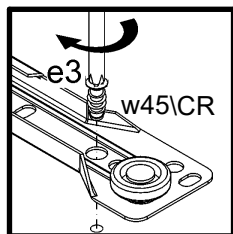
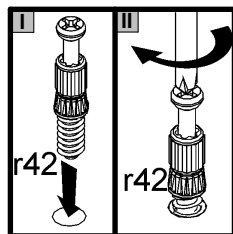
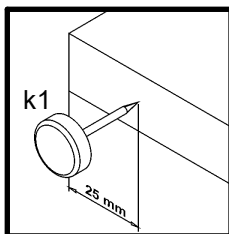
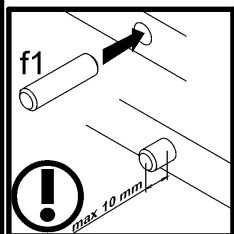
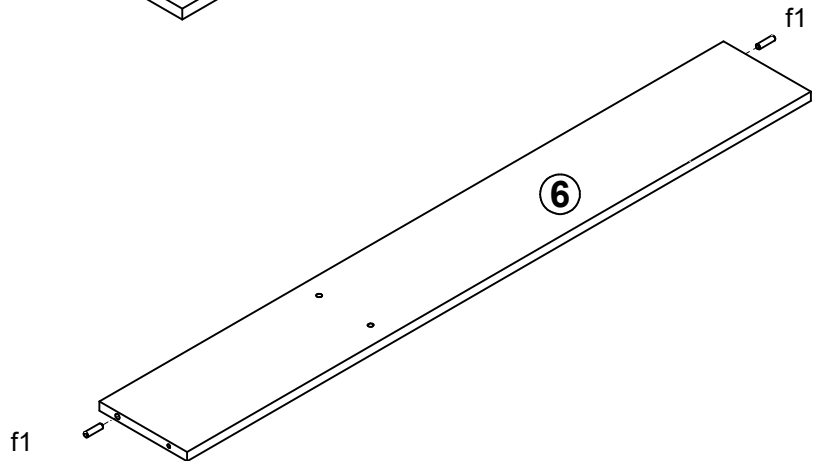
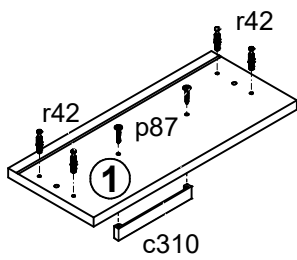
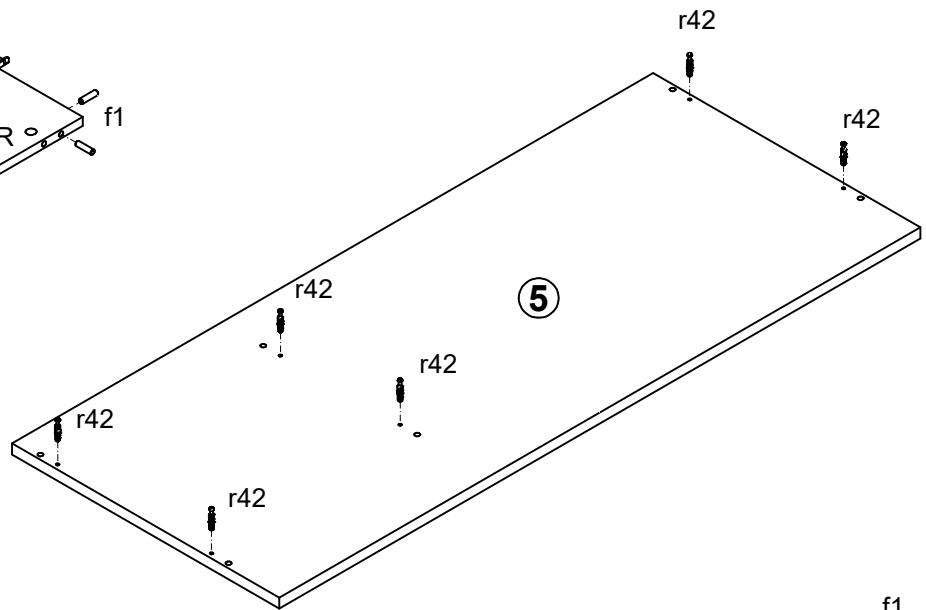
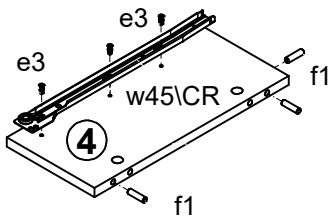
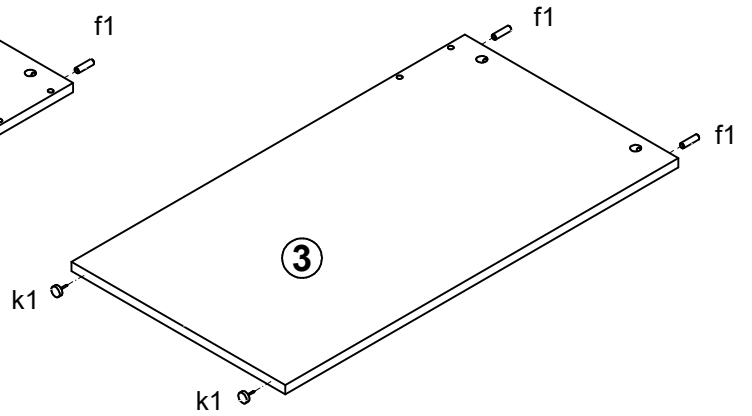
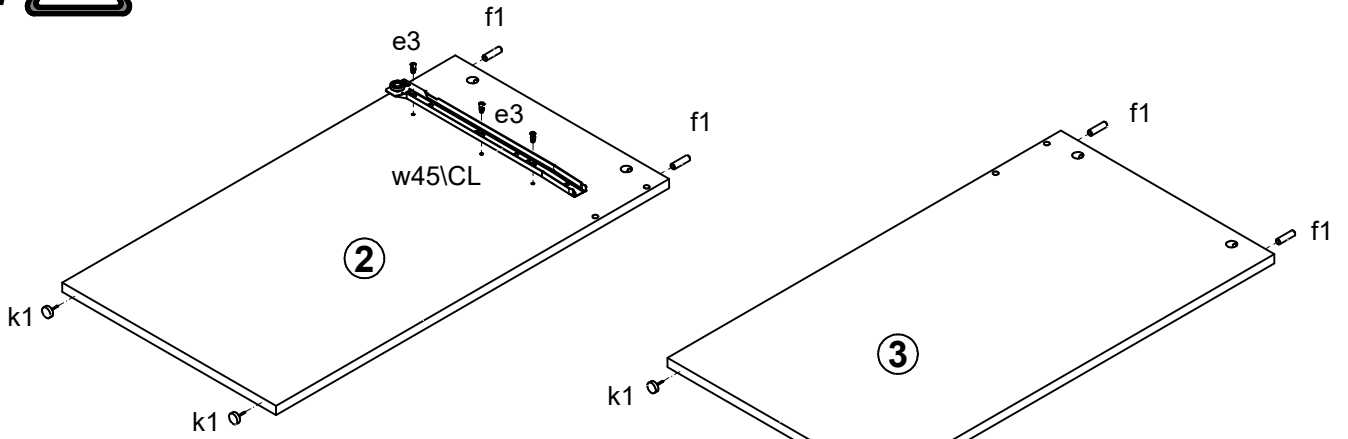


A	B	C	D
1	S409-0003	380,	160, 1/1
2	S409-1005	736,	400, 1/1
3	S409-1006	736,	400, 1/1
4	S409-1007	164,	363, 1/1
5	S409-2003	1200,	500, 1/1
6	S409-4003	1168,	164, 1/1
7	S409-9002	343,	355, 1/1
8	ZS3-5671	321	120 1/1
9	ZS4-501	350	120 1/1
10	ZS4-502	350	120 1/1

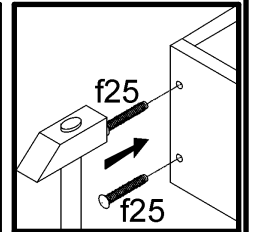
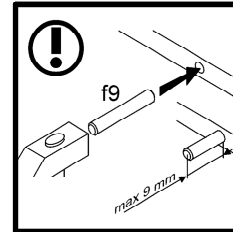
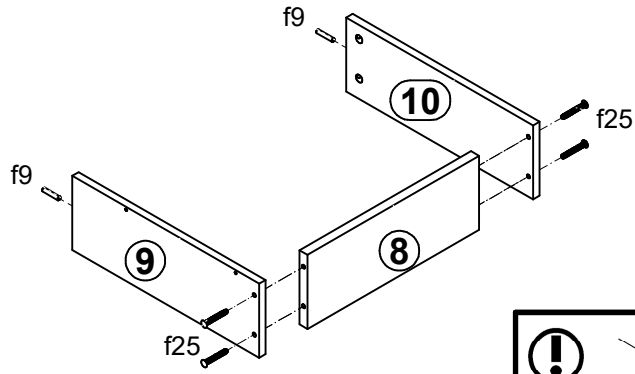


1x 128 mm c310	3x Ø7x50 mm e1	4x Ø5x9 mm e19	6x Ø6x13 mm e3	9x Ø8x30 mm f1	4x Ø6.5x40 mm f25	2x Ø6x30 mm f9	4x k1	3x Ø3.5x16 mm p38
2x Ø4x25 mm p87	6x Ø15x12 mm #16 r1	4x Ø12x10.5 mm #12 r15	10x 20x11 r42	1x 350 mm w45\CL	1x 350 mm w45\CR	1x 350 mm w45\DL	1x 350 mm w45\DR	3x s1
2x Ø16 s2	1x 4 mm z1							

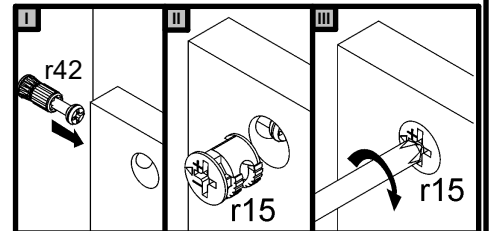
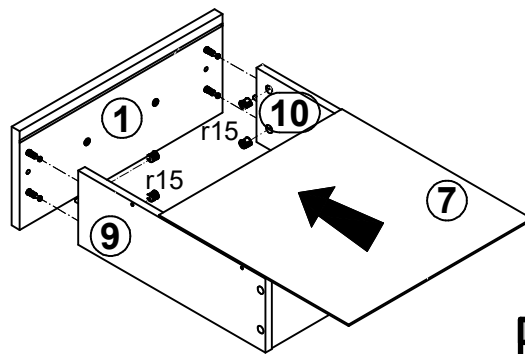
1 



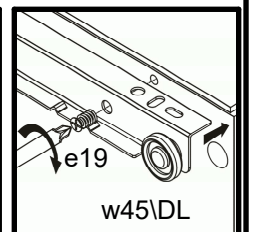
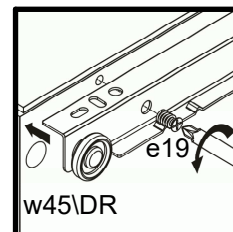
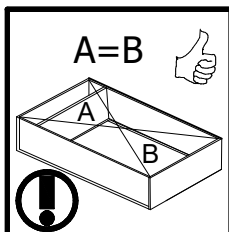
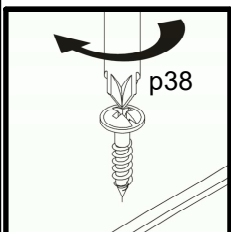
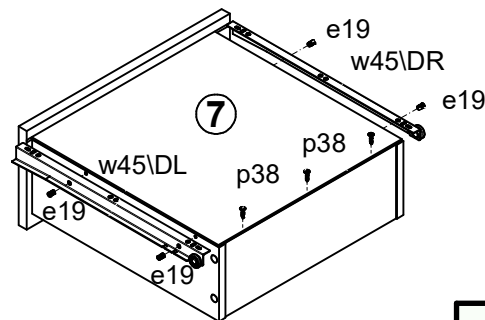
2



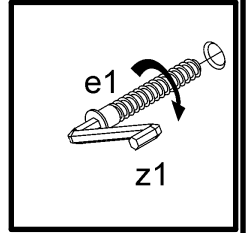
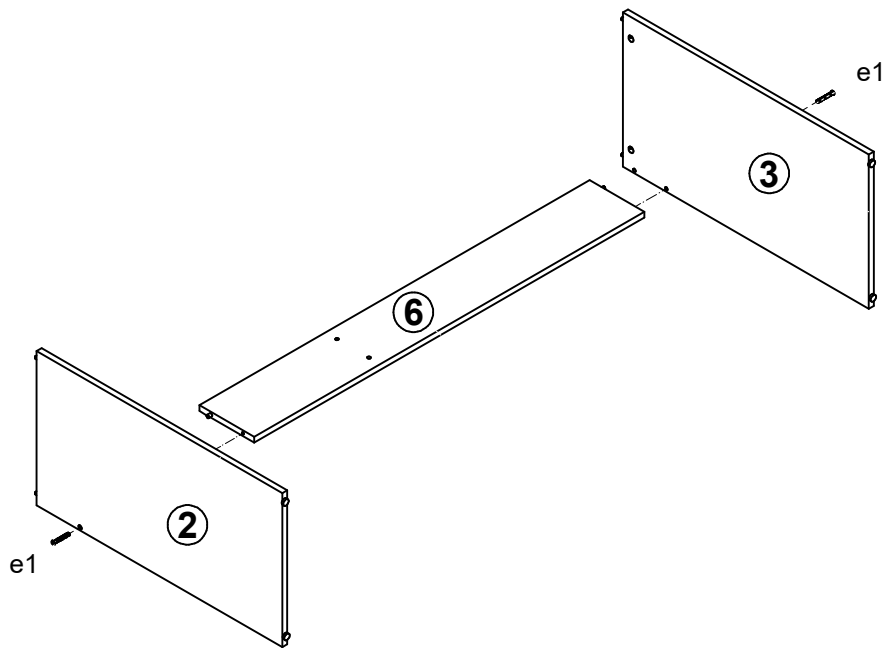
3



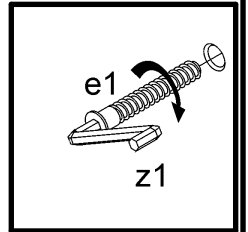
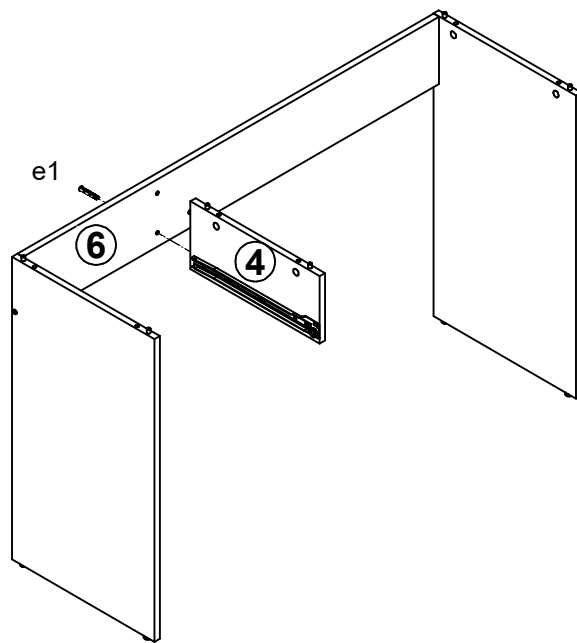
4



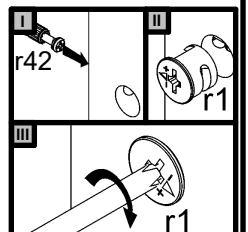
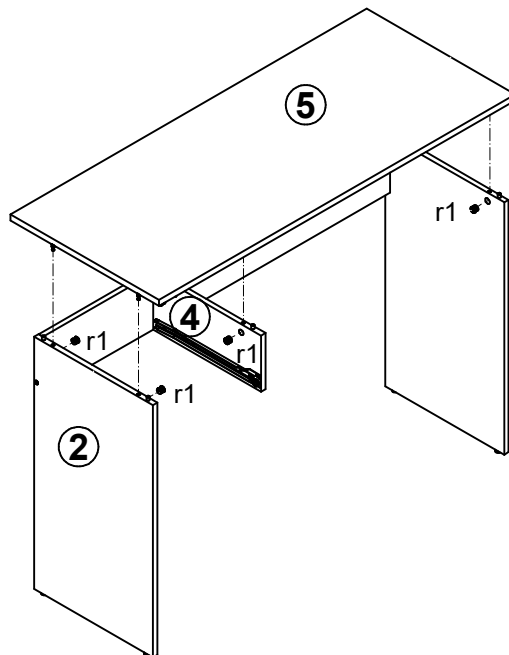
5



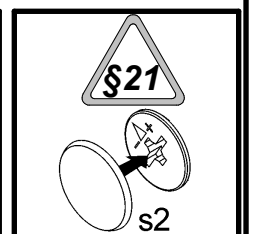
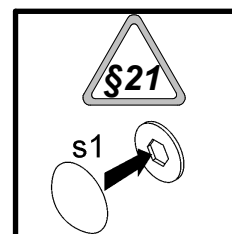
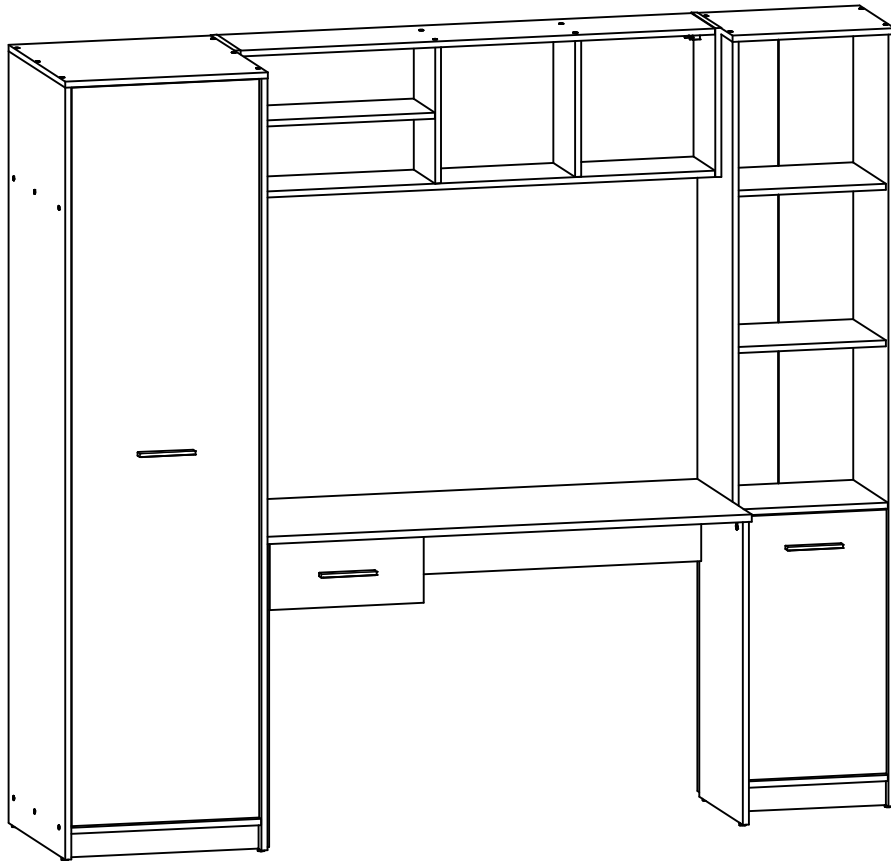
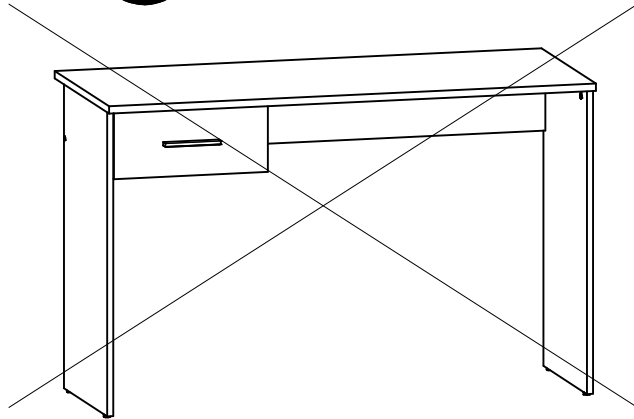
6



7



8

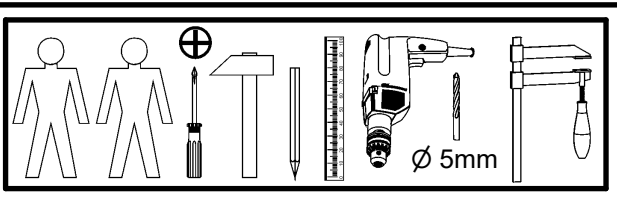
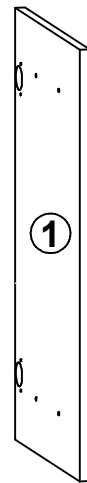
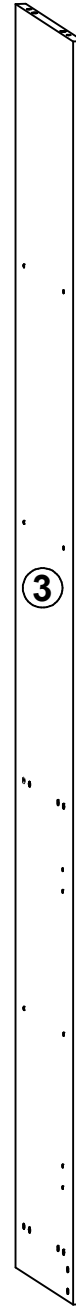
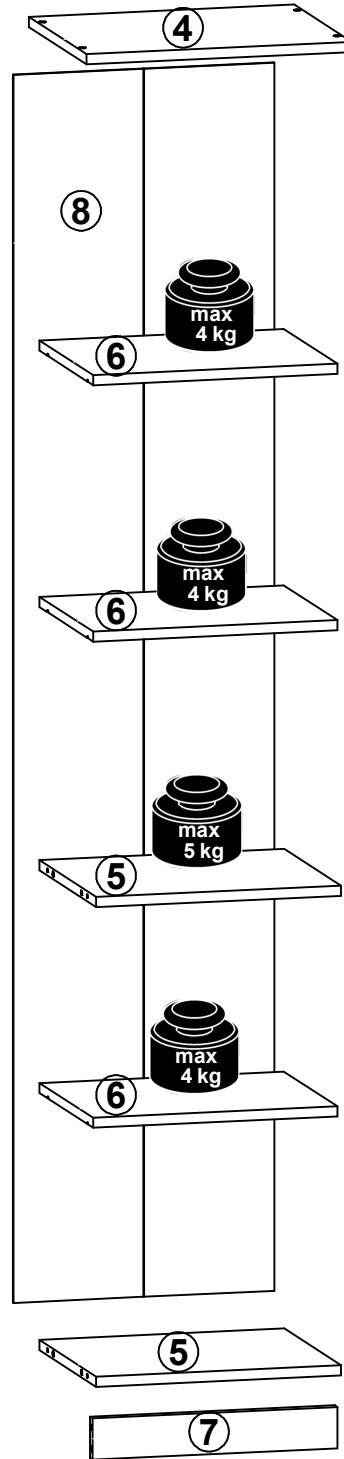
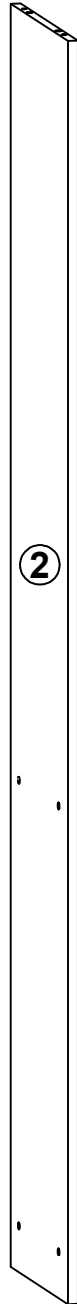
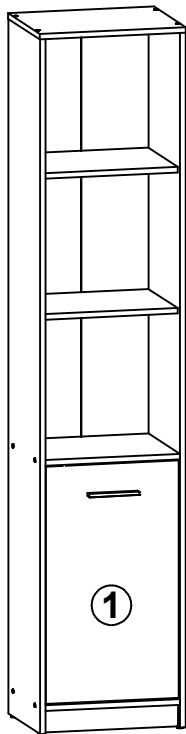
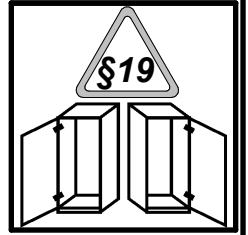


A

SOMERO

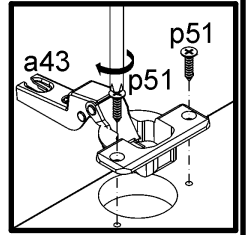
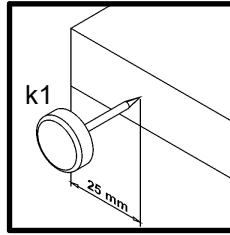
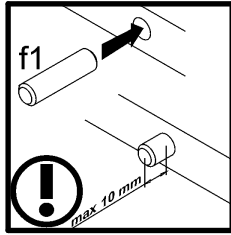
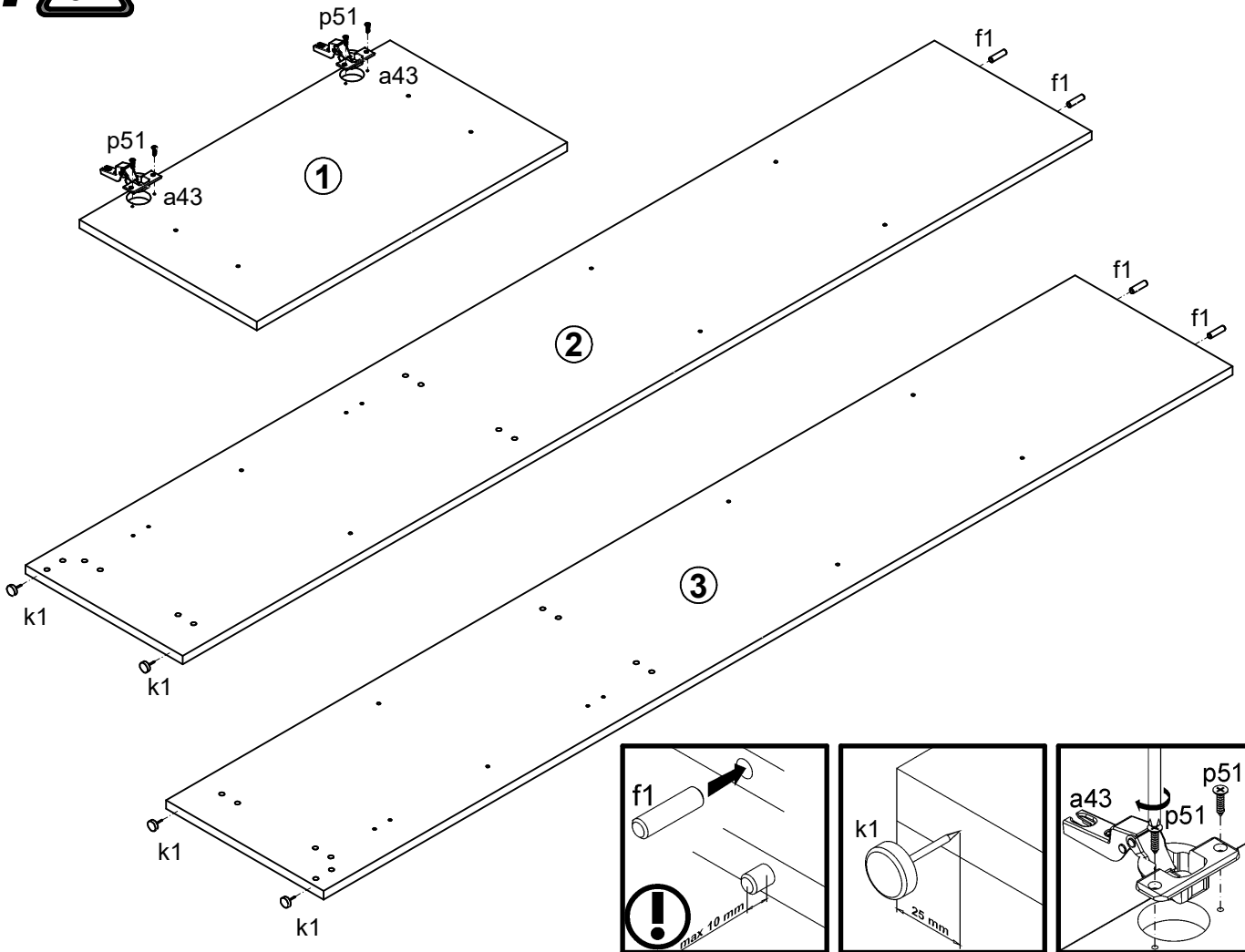
S409-REG1D

A	B	C	D
1	S409-0001	638	364
2	S409-1001	1867	323
3	S409-1002	1867	323
4	S409-2001	400	324
5	S409-3001	369	320
6	S409-3003	368	301
7	S409-4001	369	61
8	S409-9301	1815	393

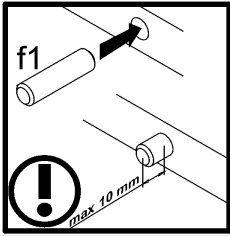
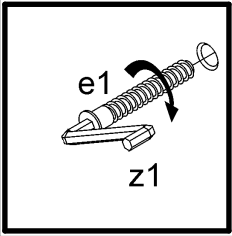
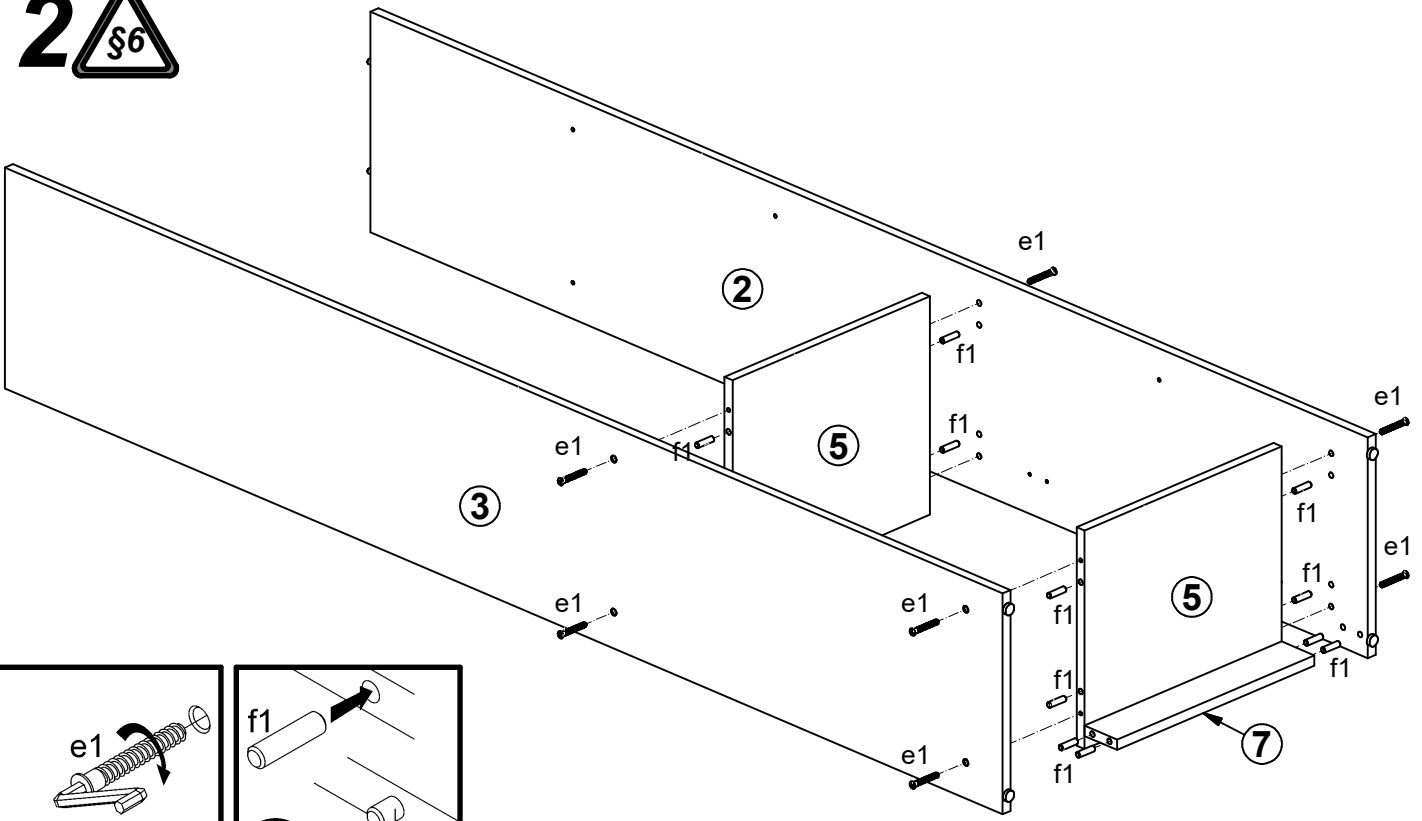


2x K16 a43	2x b19	1x 128 mm c310	12x Ø5x17 mm d1	12x Ø7x50 mm e1	16x Ø8x30 mm f1	4x k1	50x 1.4x20 mm l1	4x Ø3.5x15 mm p51		
2x Ø4x25 mm p87	8x s1	1x 4 mm z1							1x n26/l1	1x Ø3.5x16 mm p38

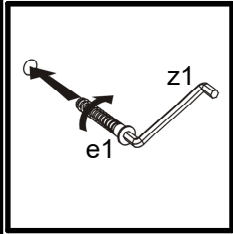
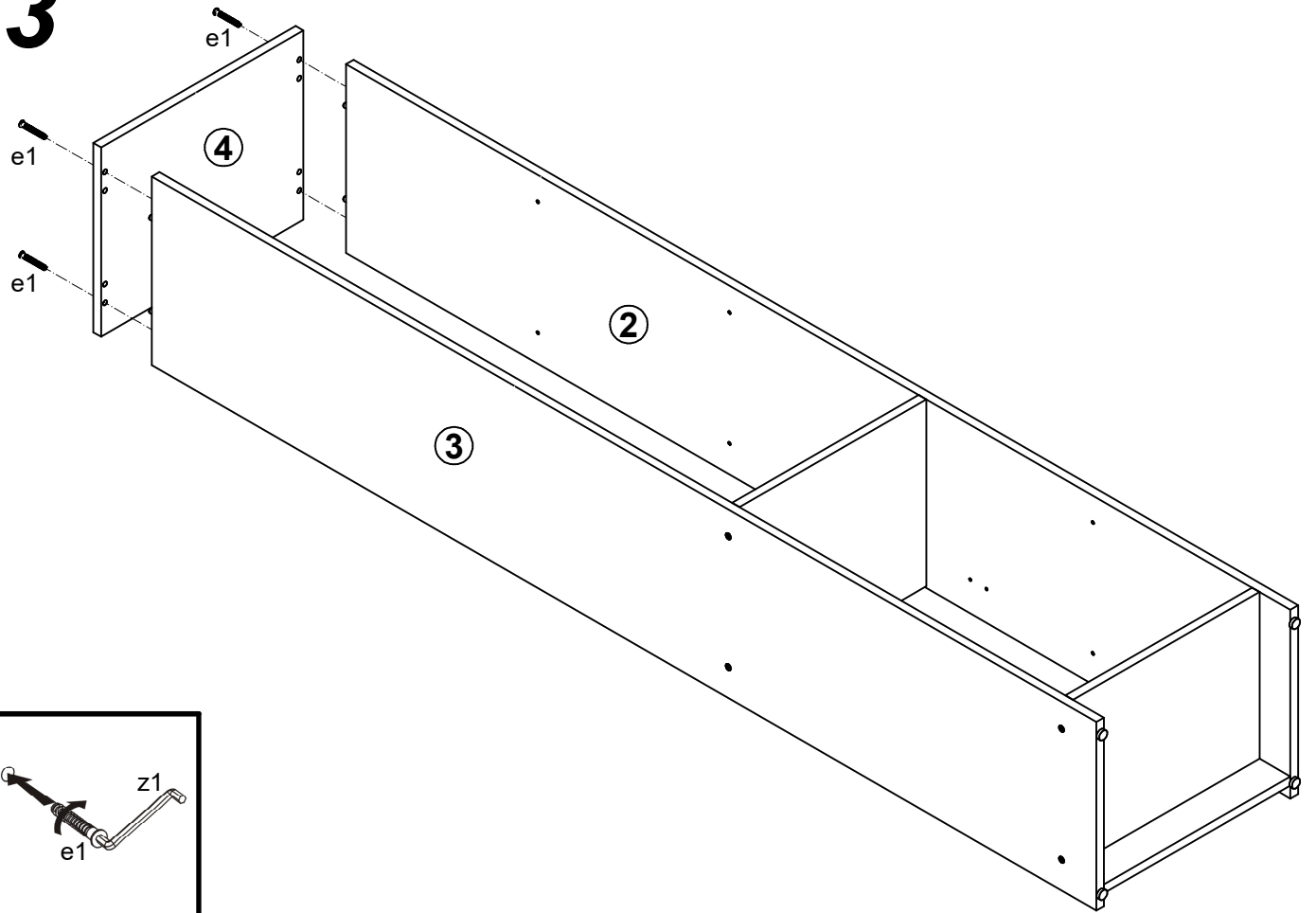
1



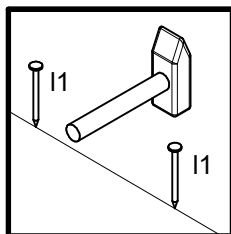
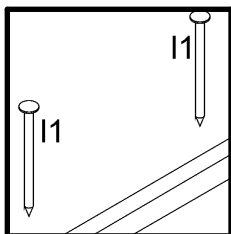
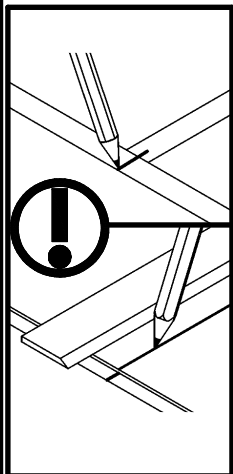
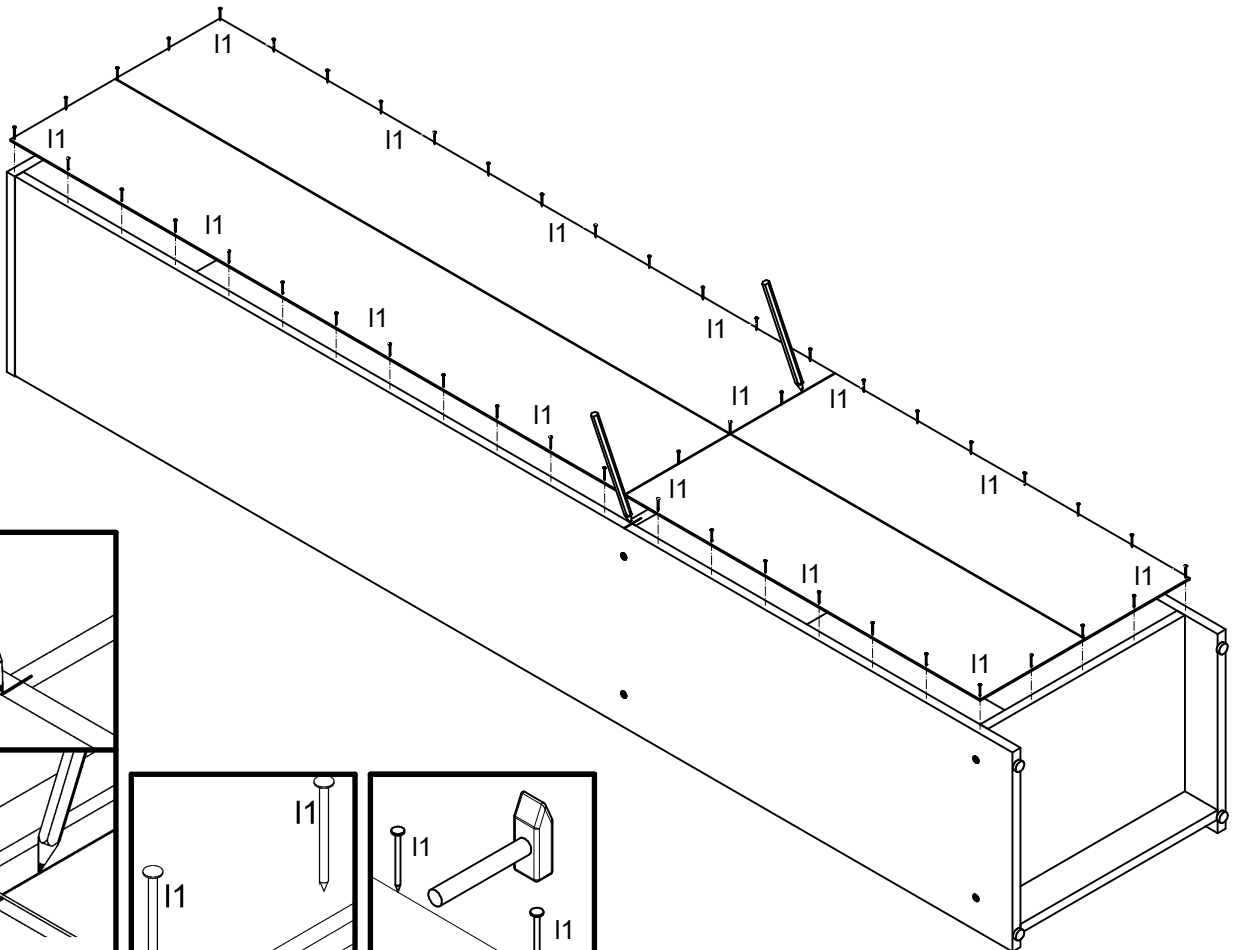
2



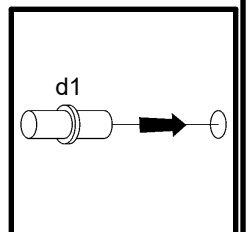
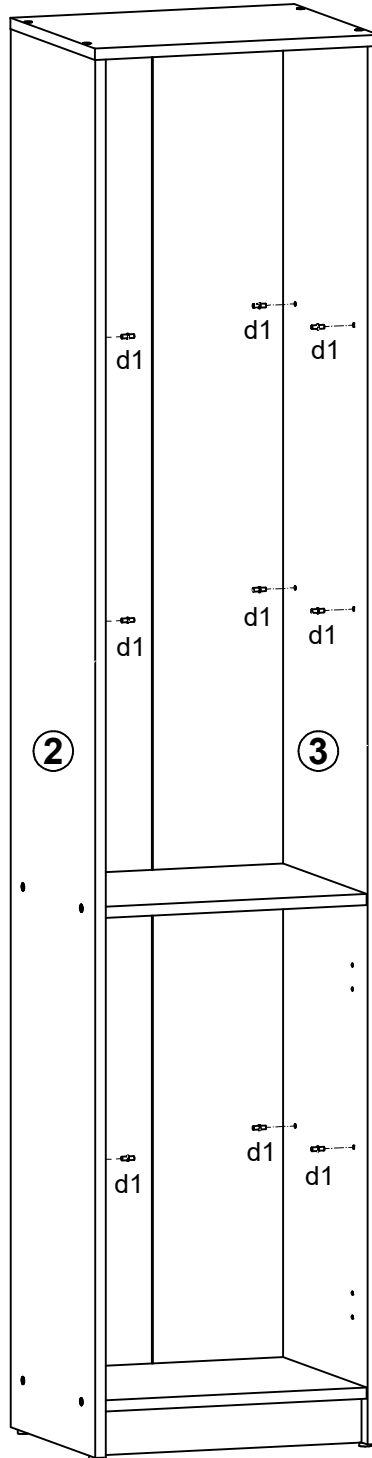
3



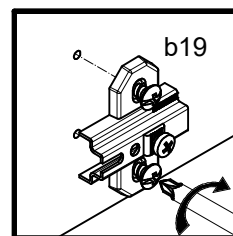
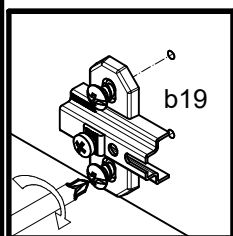
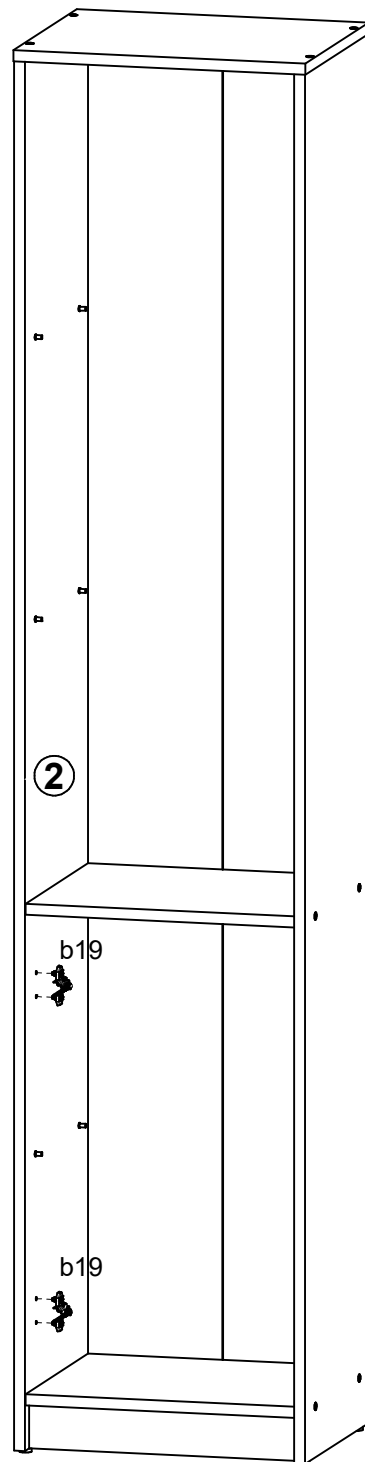
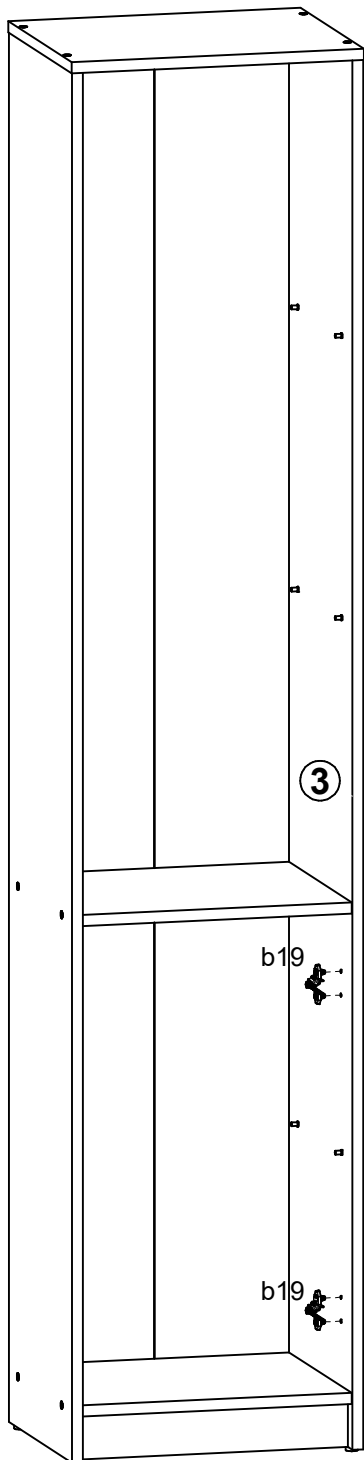
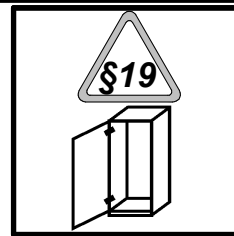
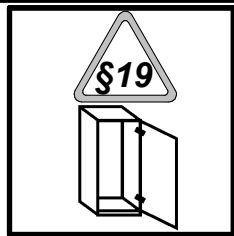
4



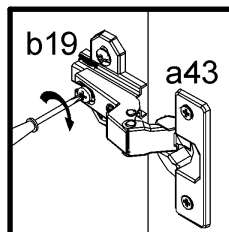
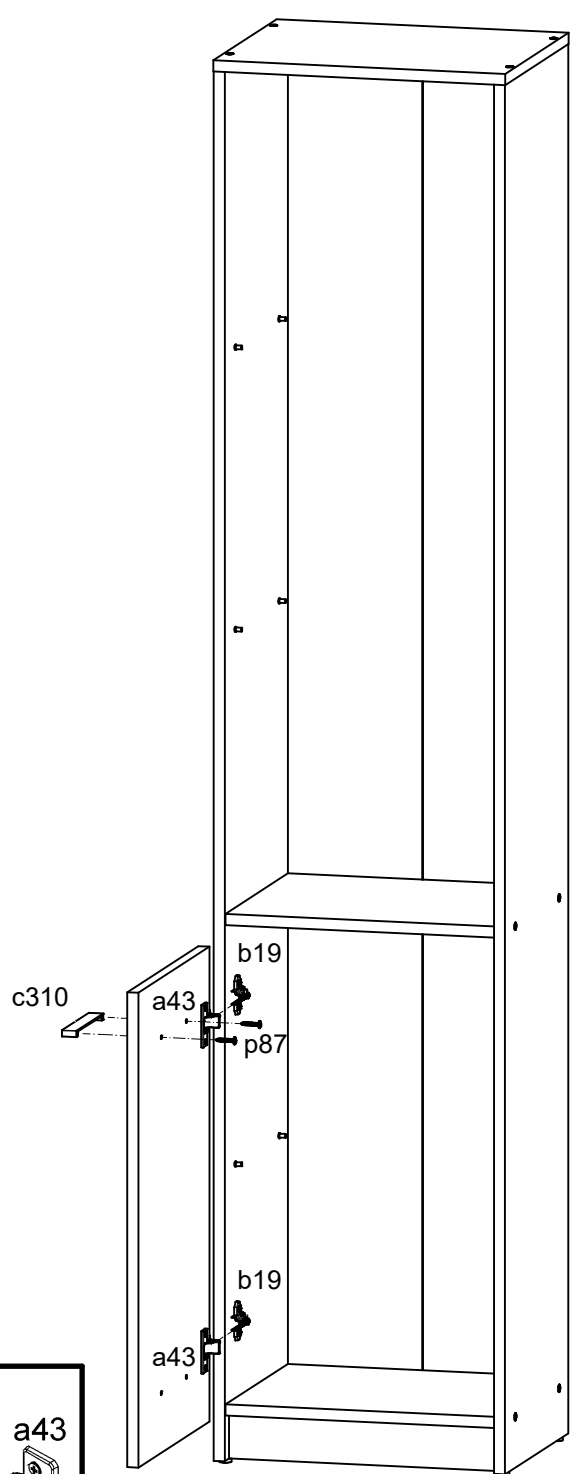
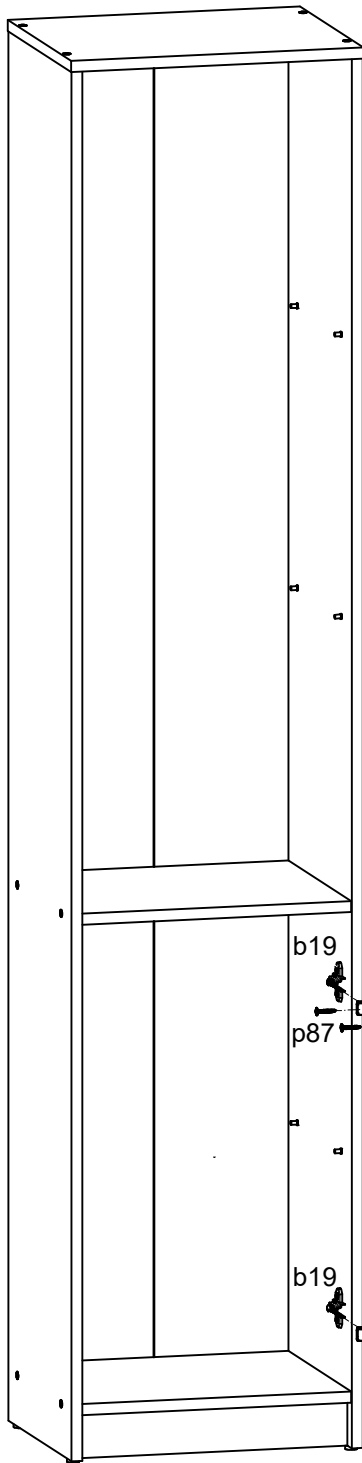
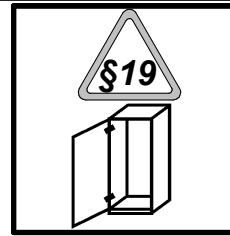
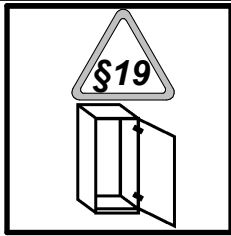
5



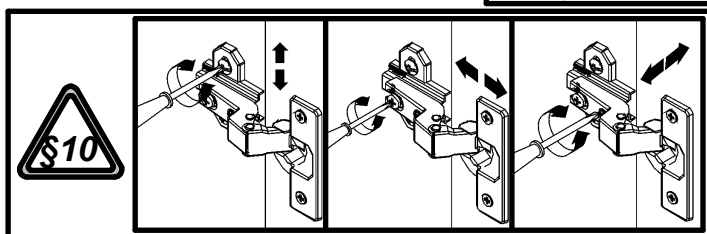
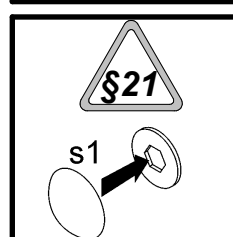
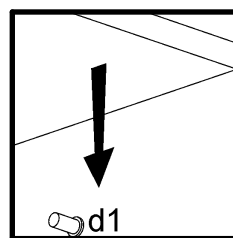
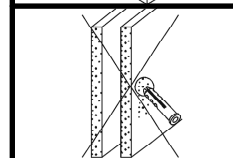
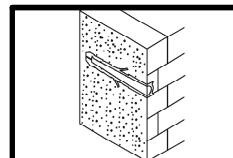
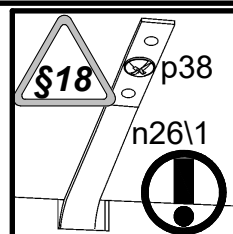
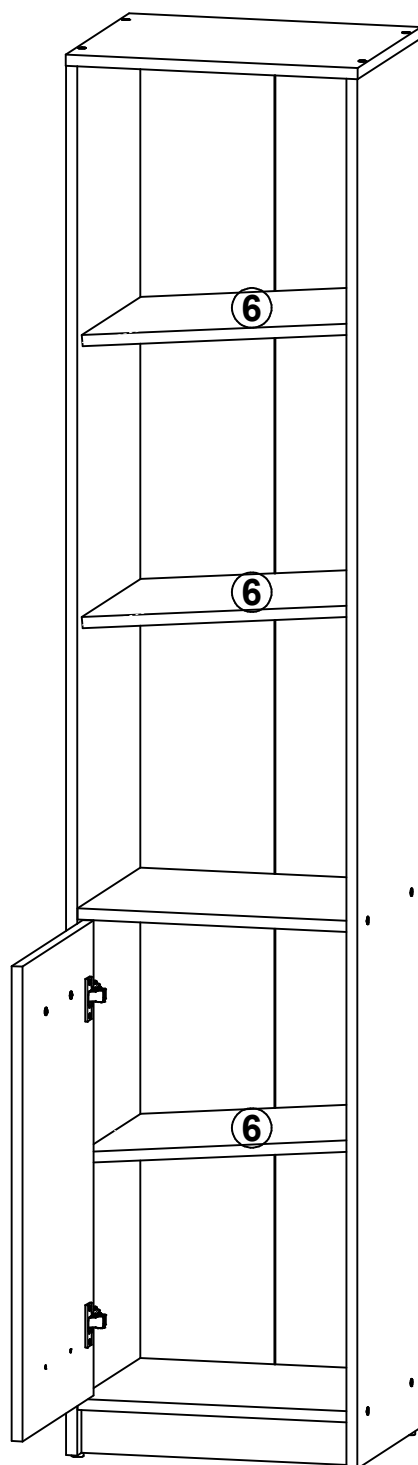
6



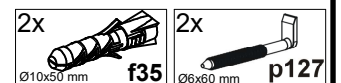
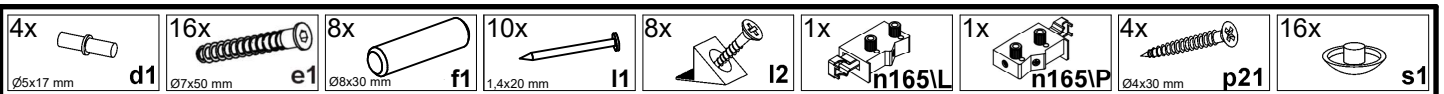
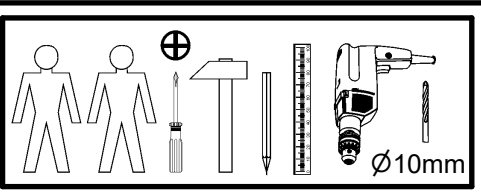
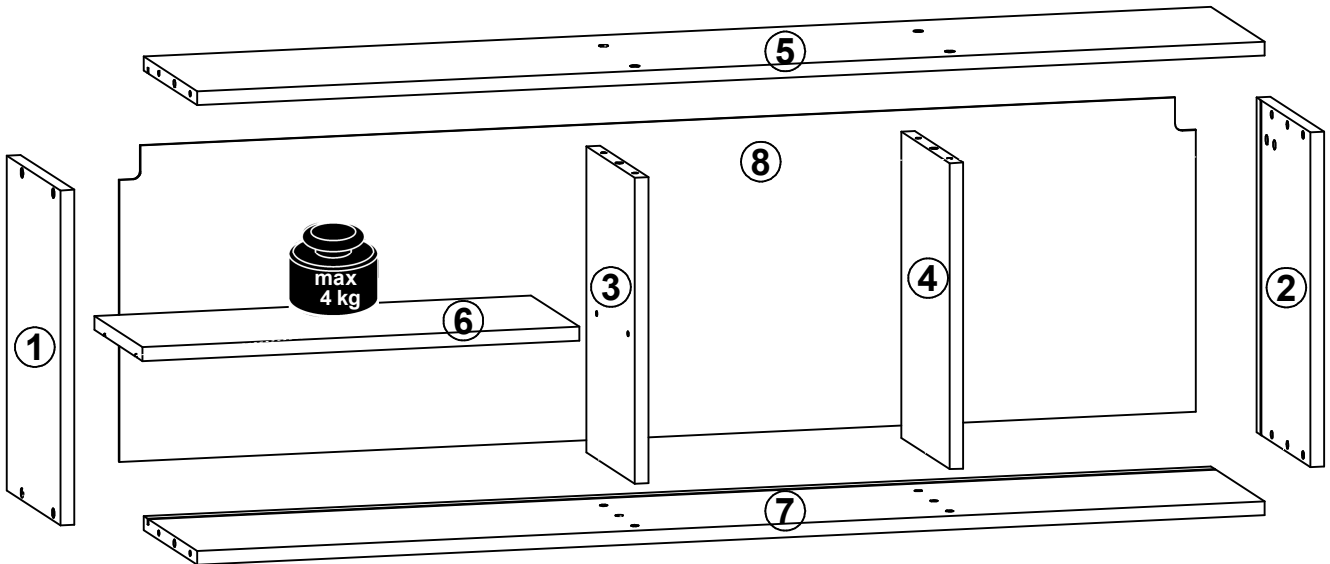
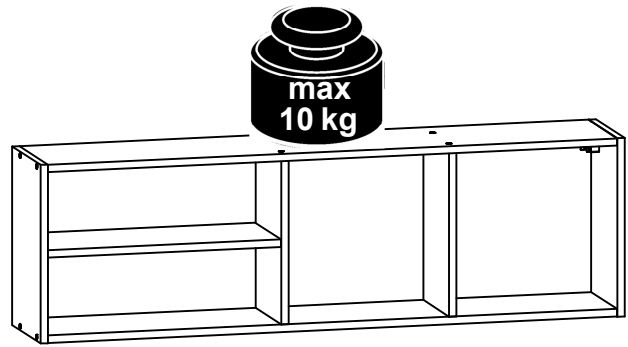
7



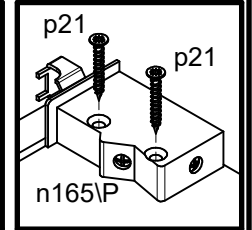
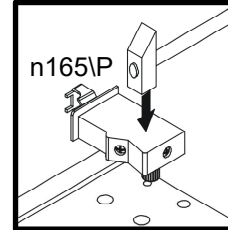
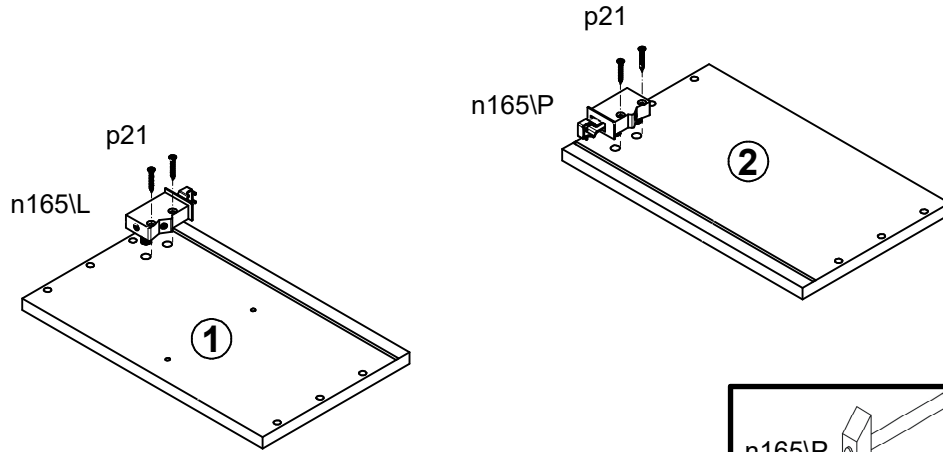
8



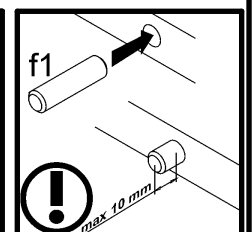
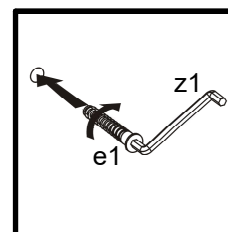
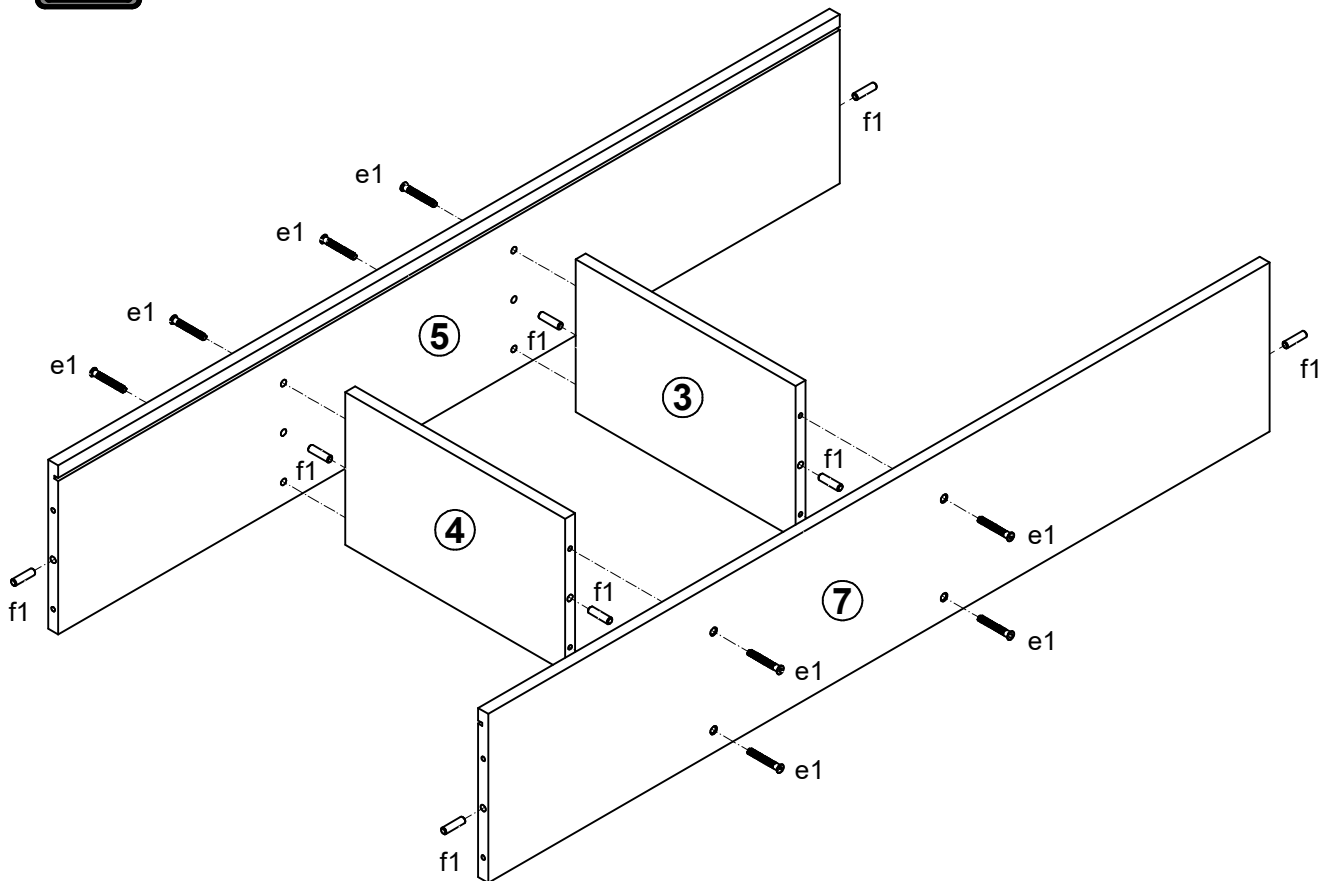
A	B	C	D
1	S409-1008	360	220
2	S409-1009	360	220
3	S409-1010	329	198
4	S409-1011	329	198
5	S409-3006	1170	219
6	S409-3007	479	197
7	S409-3008	1170	219
8	S409-9003	339	1180



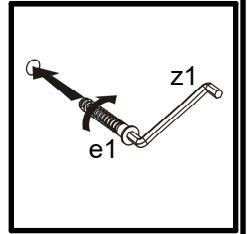
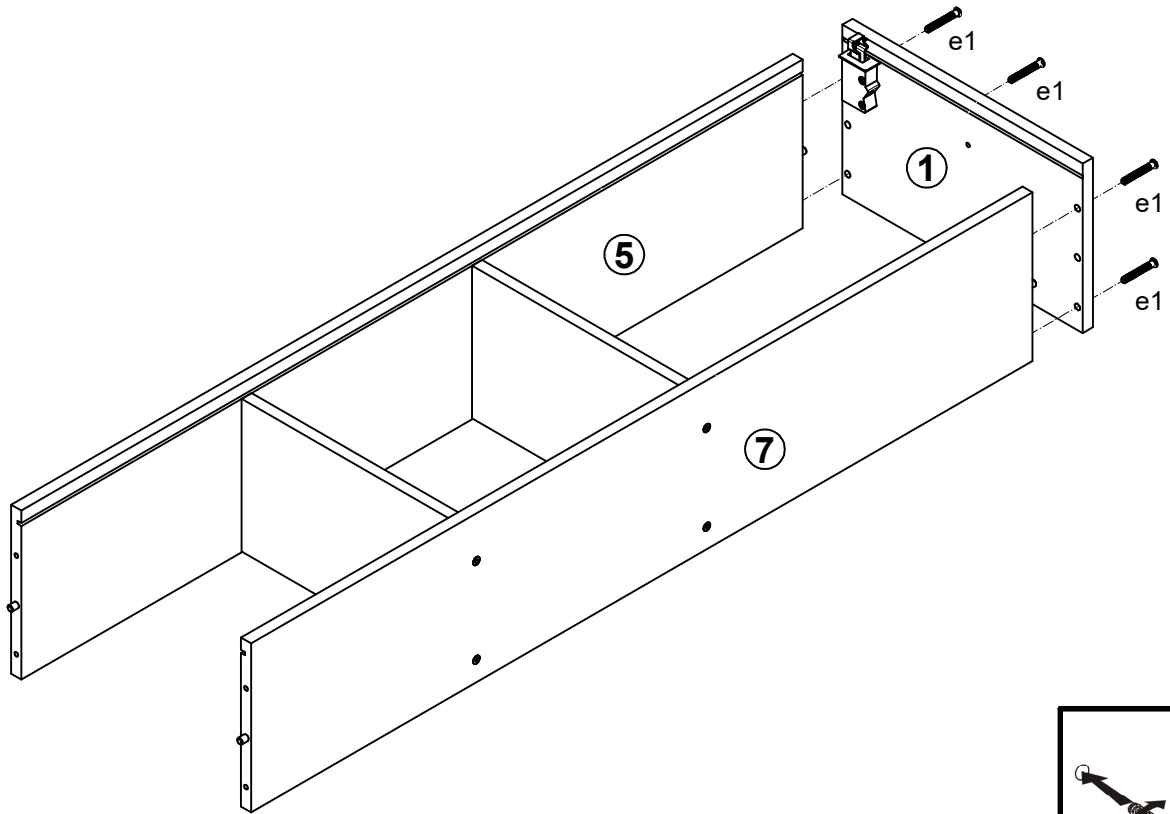
1 



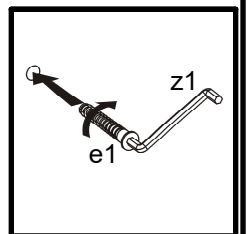
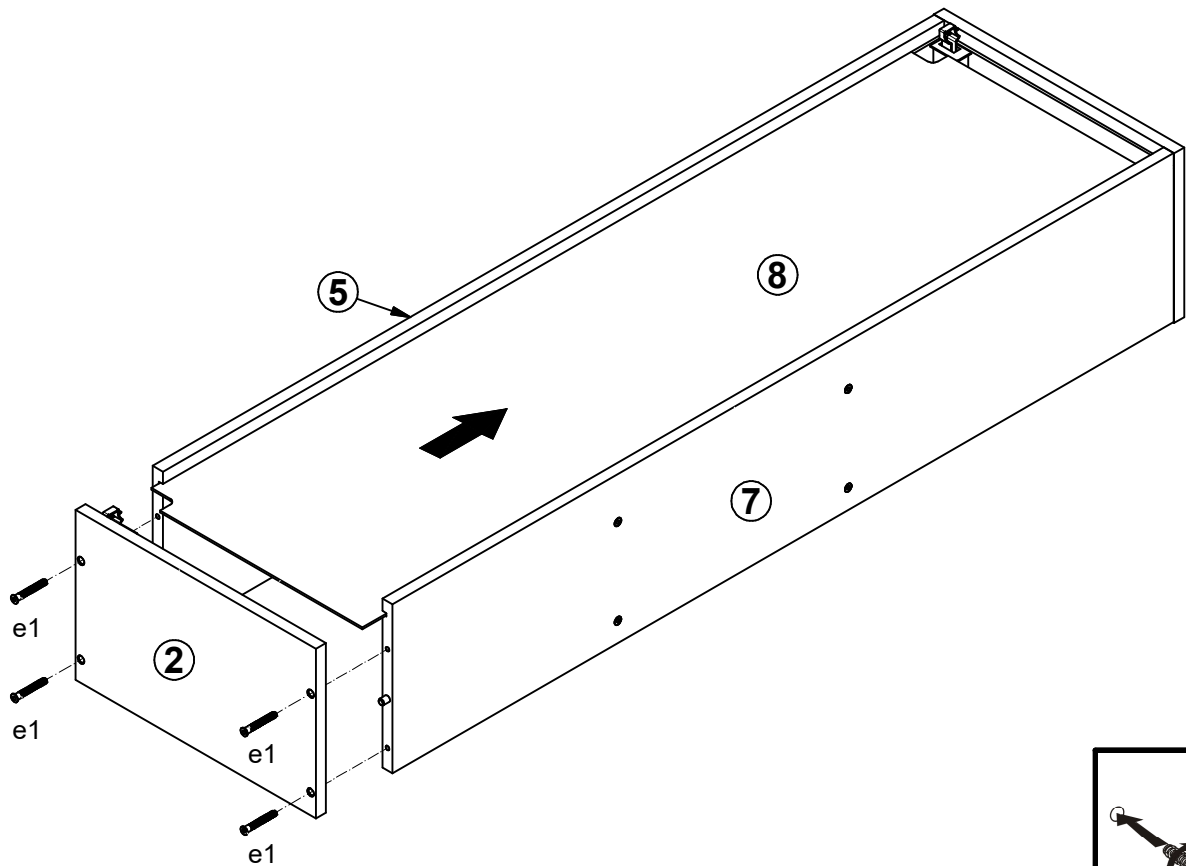
2 



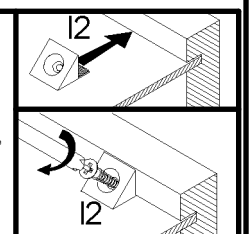
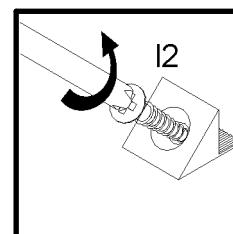
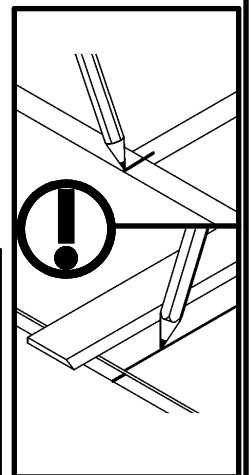
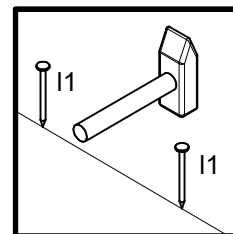
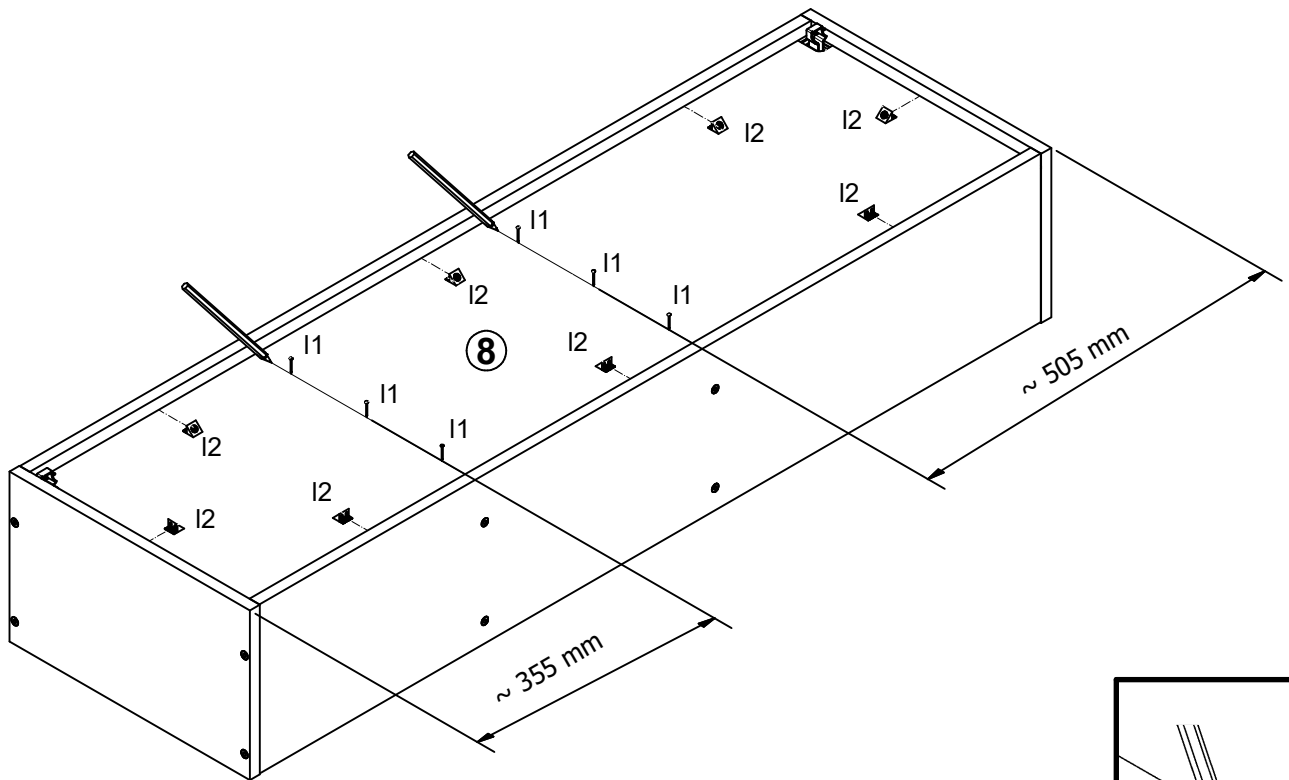
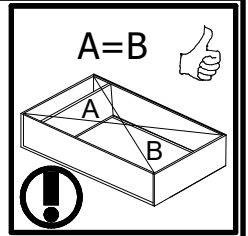
3



4



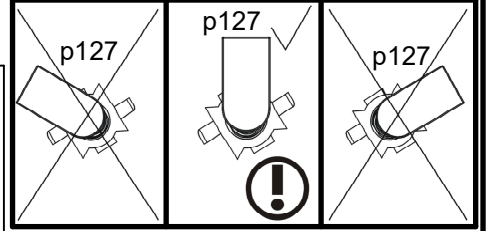
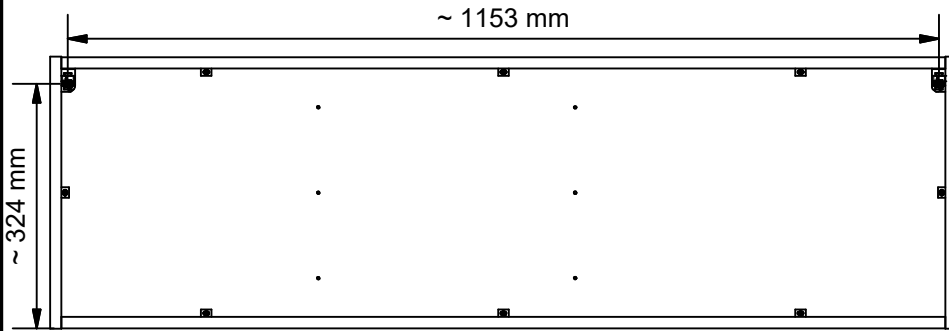
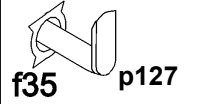
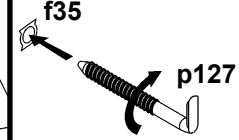
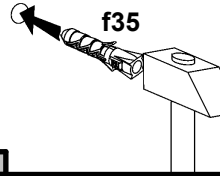
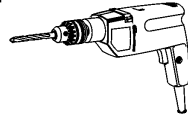
5



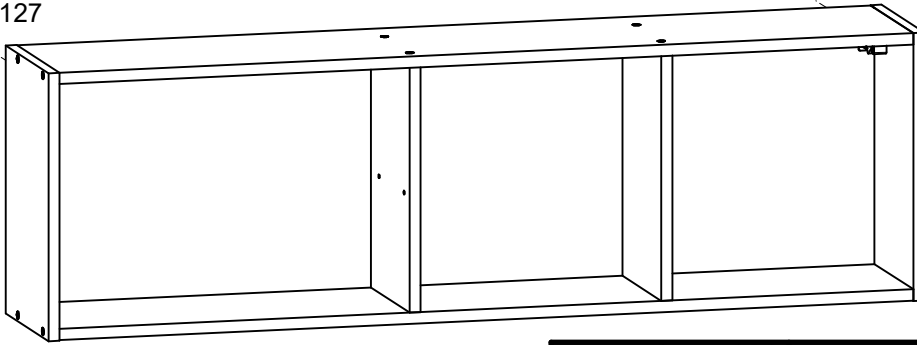
6



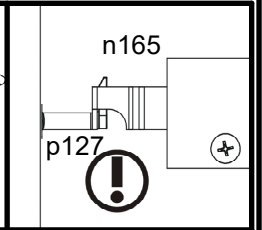
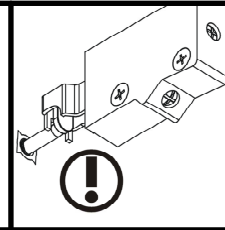
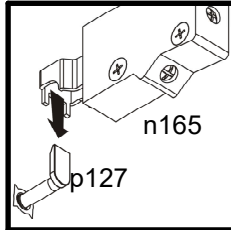
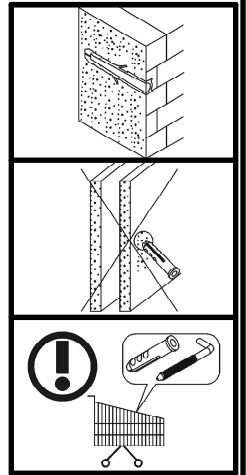
φ10 mm



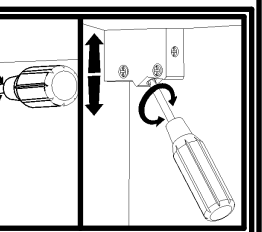
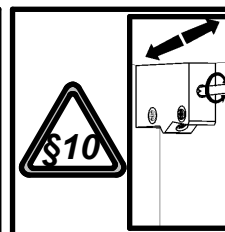
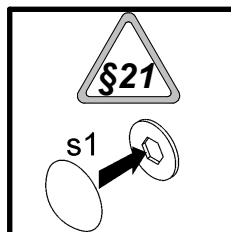
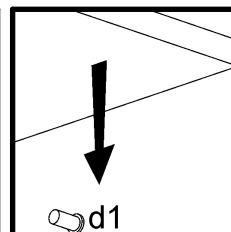
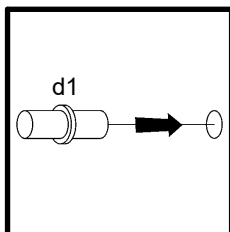
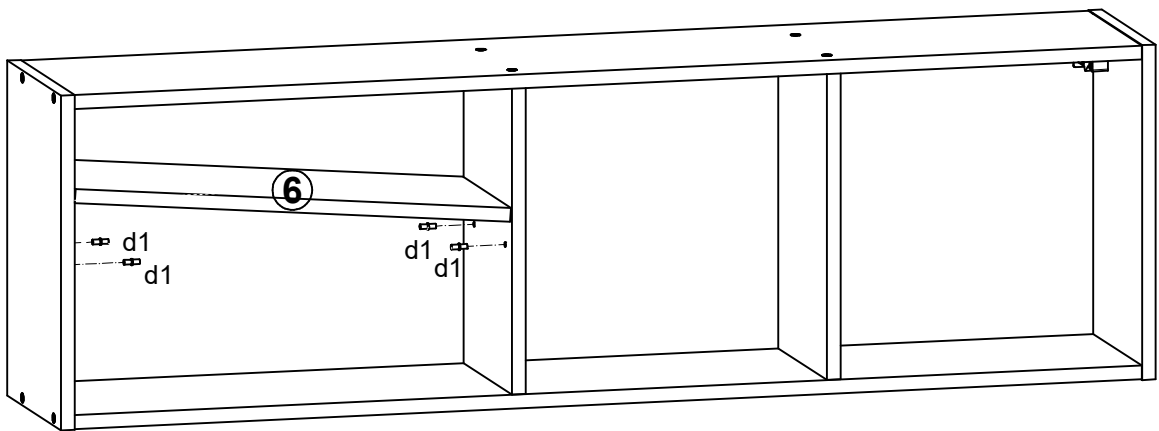
f35
p127



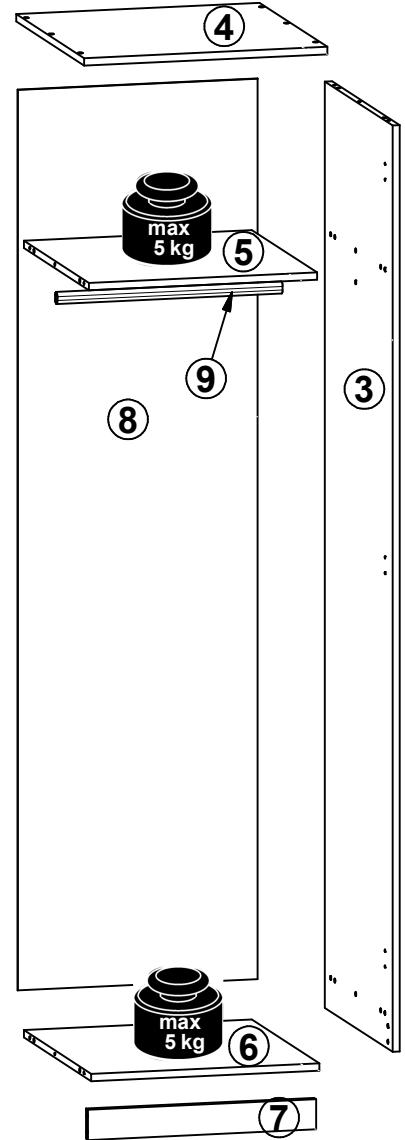
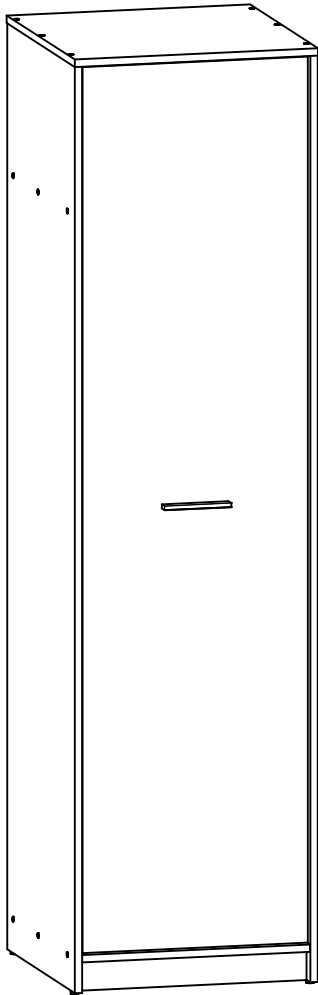
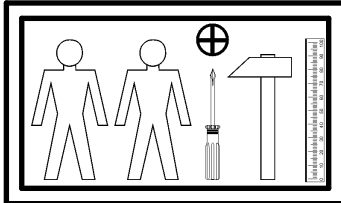
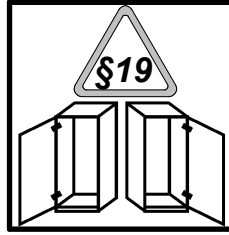
f35
p127



7

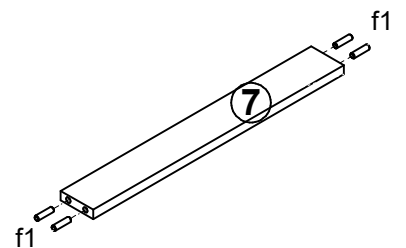
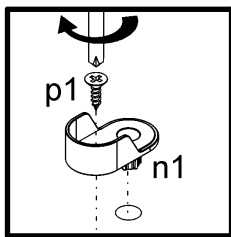
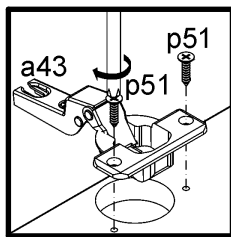
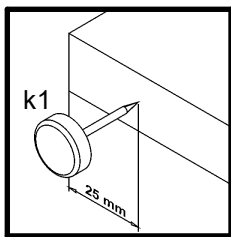
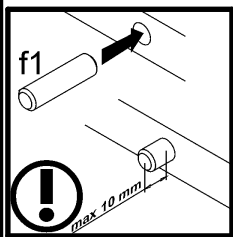
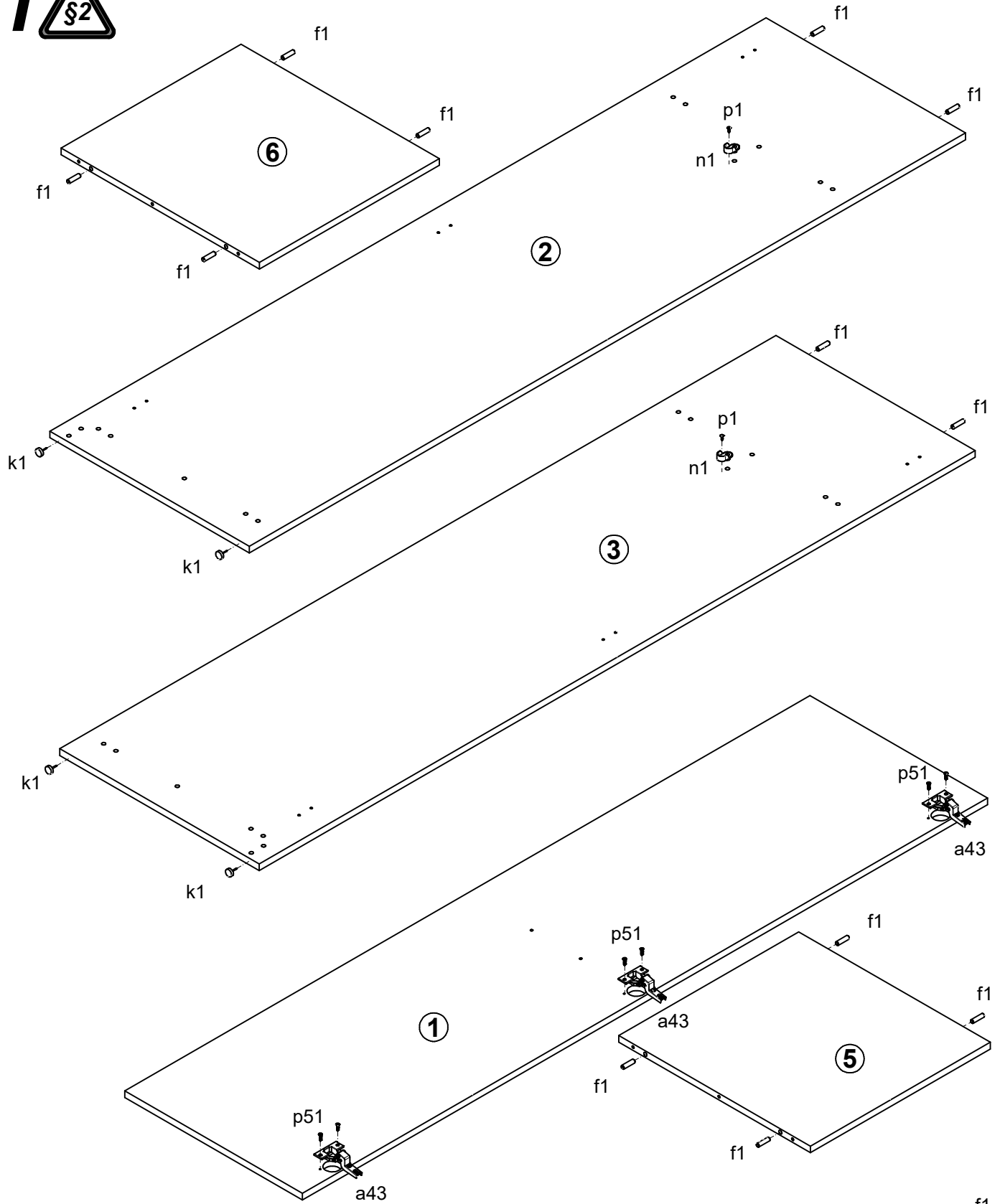


A	B	C	D
1	S409-0002	1786,	463, 2/2
2	S409-1003	1867,	520, 2/2
3	S409-1004	1867,	520, 2/2
4	S409-2002	500,	521, 1/2
5	S409-3002	469,	499, 1/2
6	S409-3004	469,	517, 1/2
7	S409-4002	469,	61, 1/2
8	S409-9001	1815	493 2/2
9	dr-463	463	22 1/2

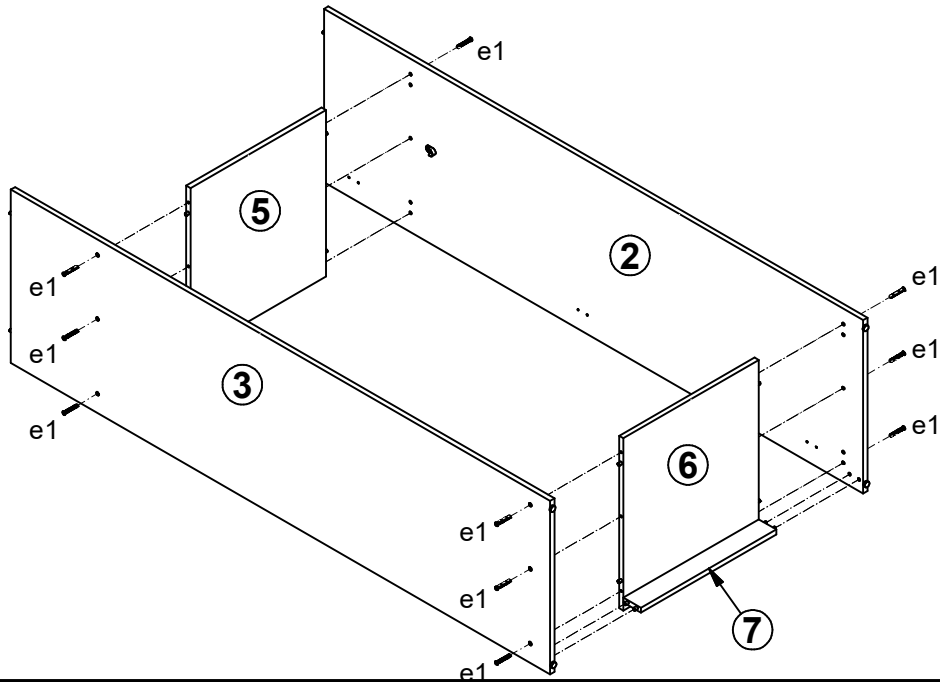


3x K16 a43	3x b19	1x 128 mm c310	18x Ø7x50 mm e1	16x Ø8x30 mm f1	4x k1	50x 1.4x20 mm l1	2x h=22mm n1	2x Ø3.5x13 mm p1
6x Ø3.5x15 mm p51	2x Ø4x25 mm p87	12x s1	1x 4 mm z1	1x n26	1x Ø3.5x16 mm p38			

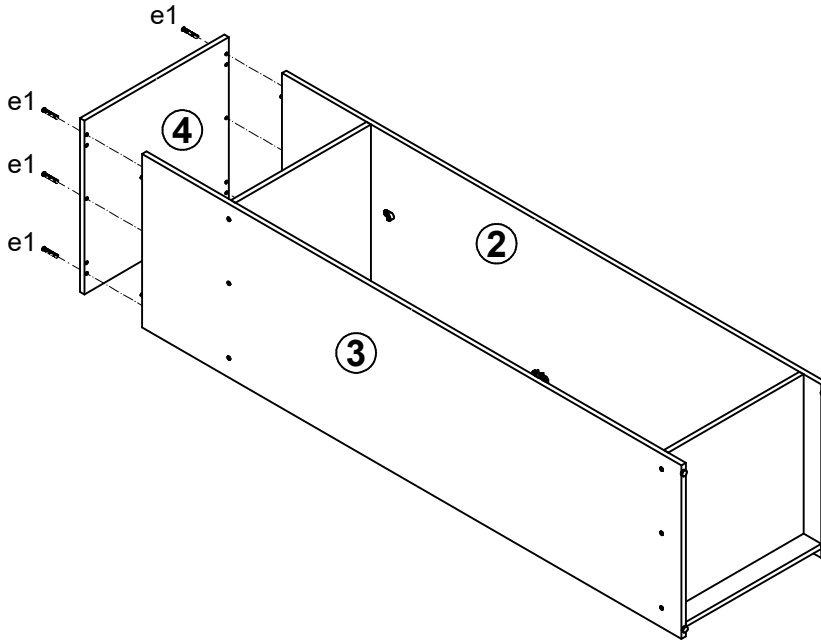
1 



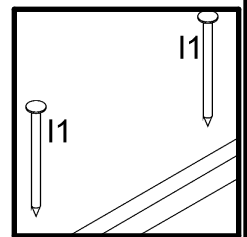
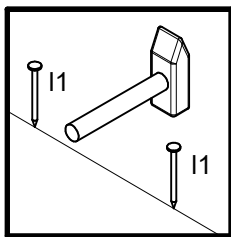
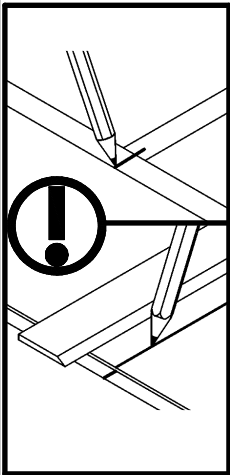
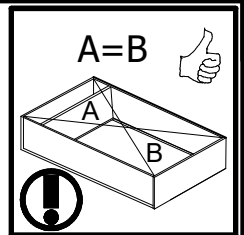
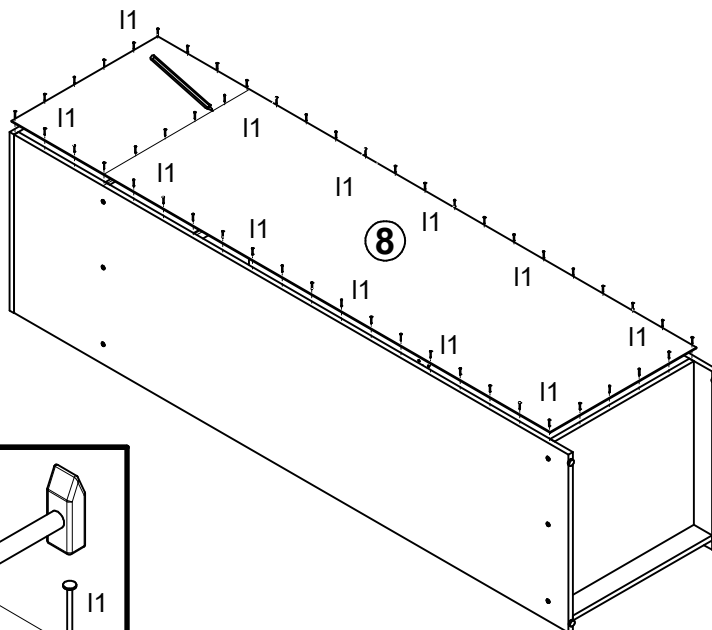
2



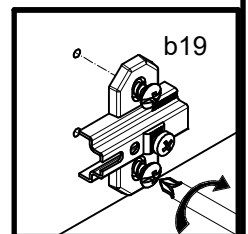
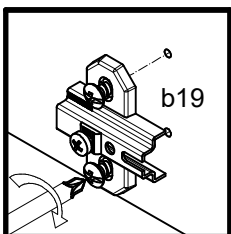
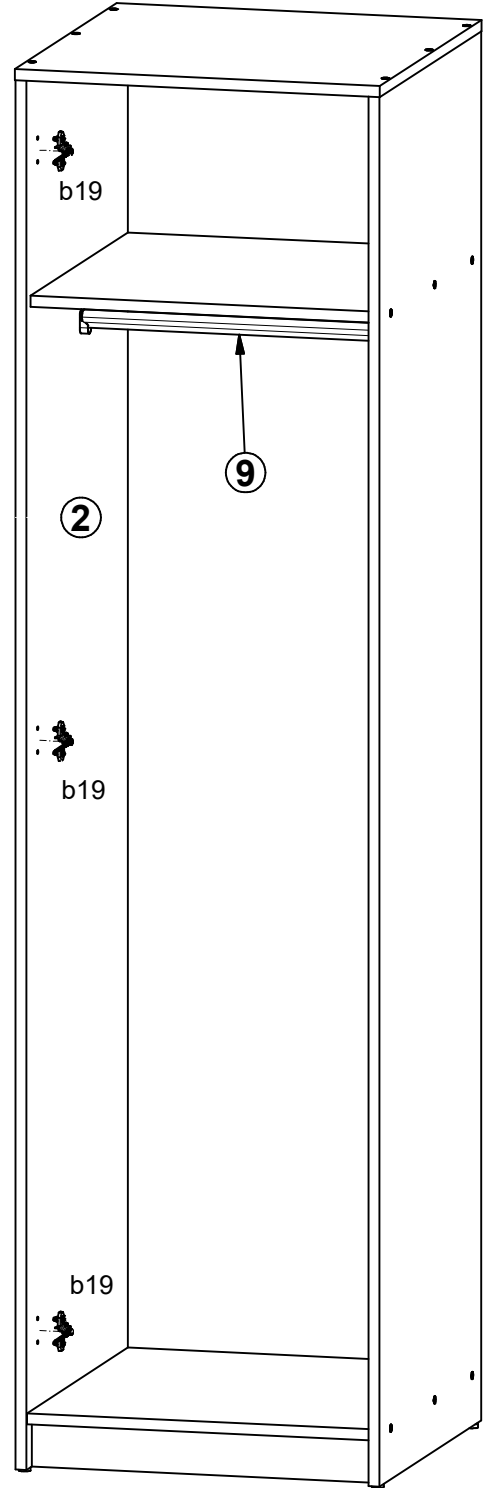
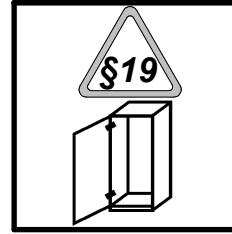
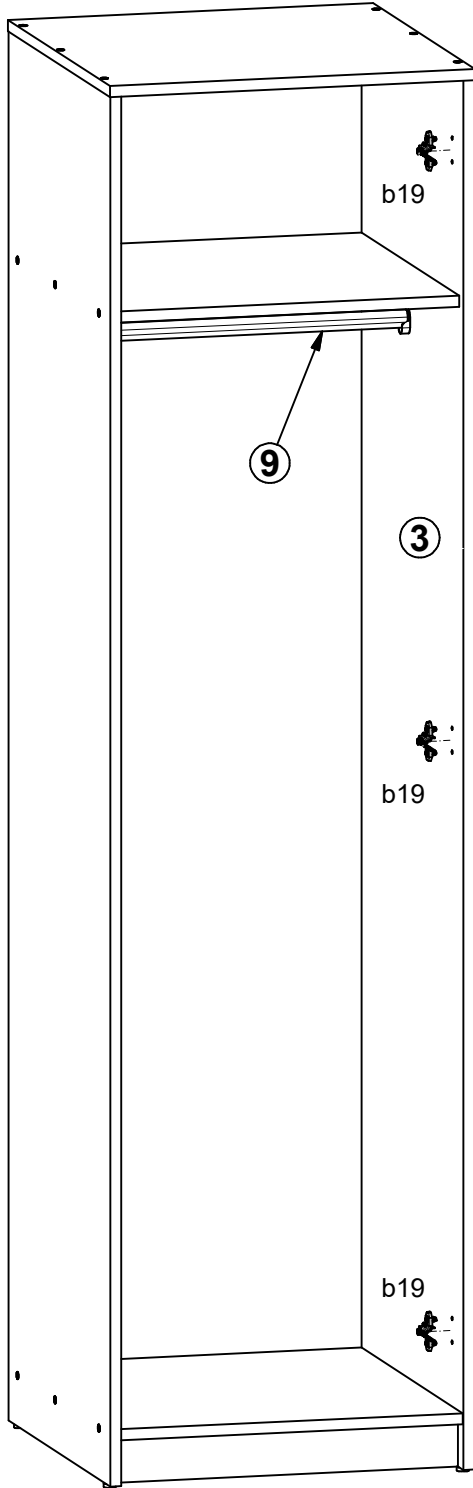
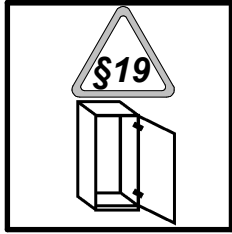
3



4



4



5

