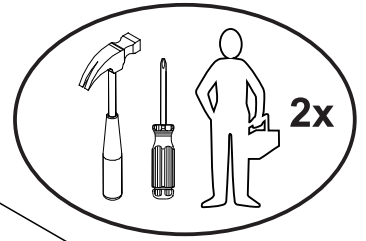


wermo

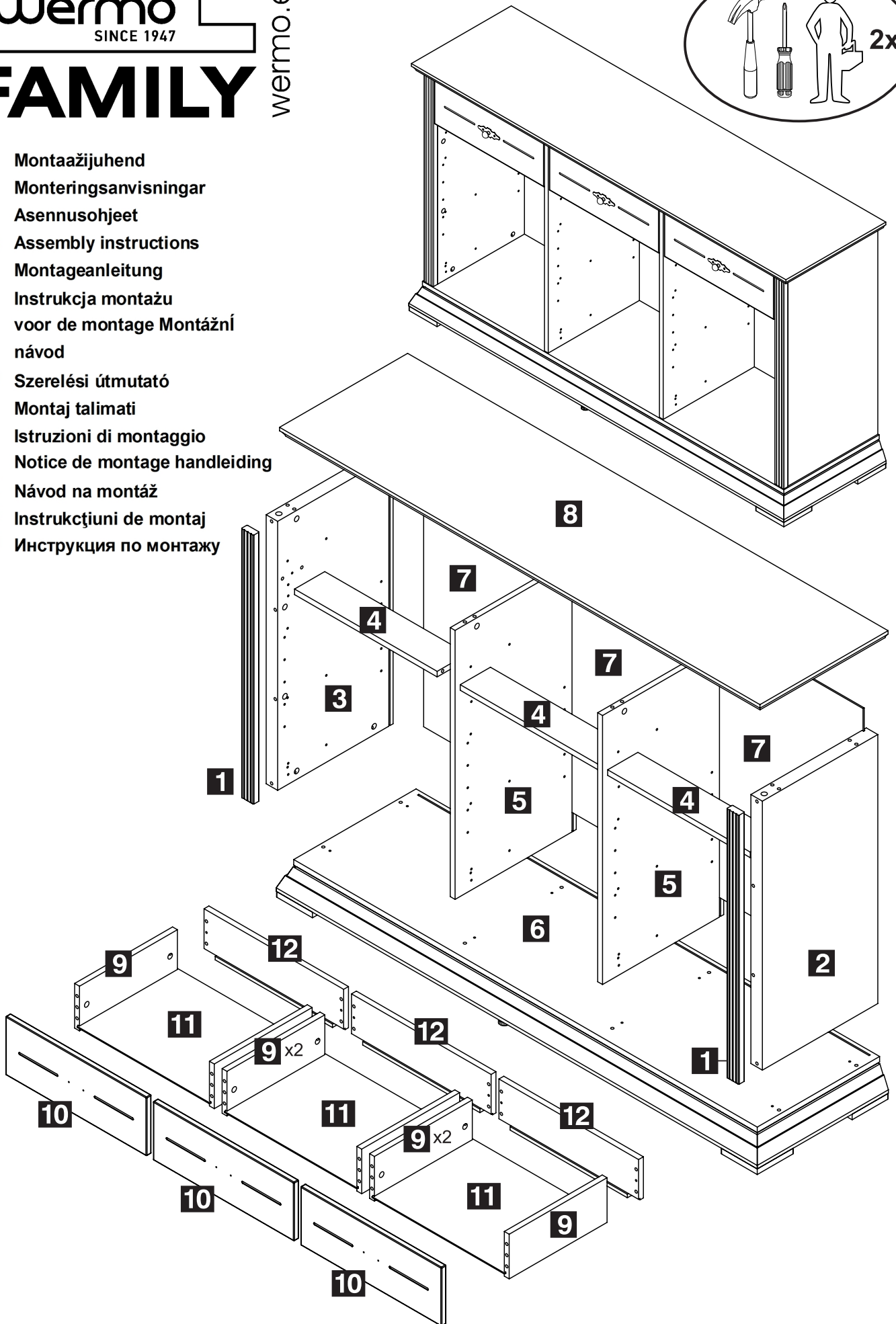
SINCE 1947

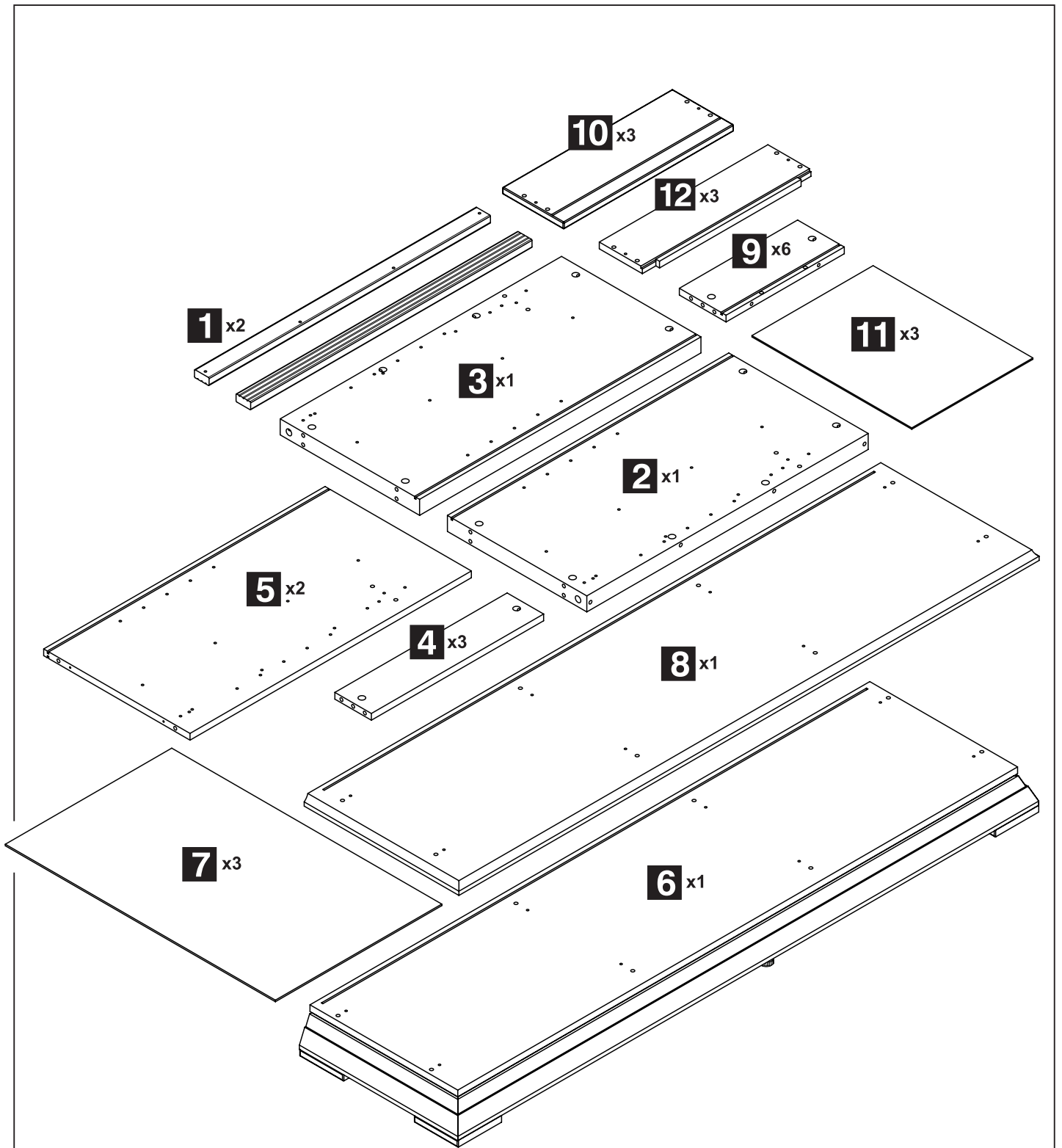
wermo.ee

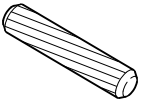
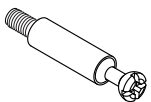
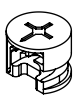
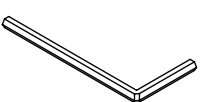
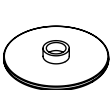
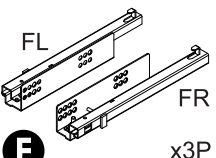

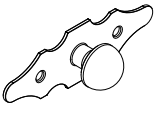


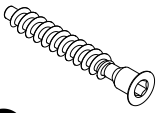
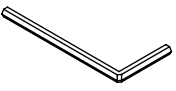
# FAMILY



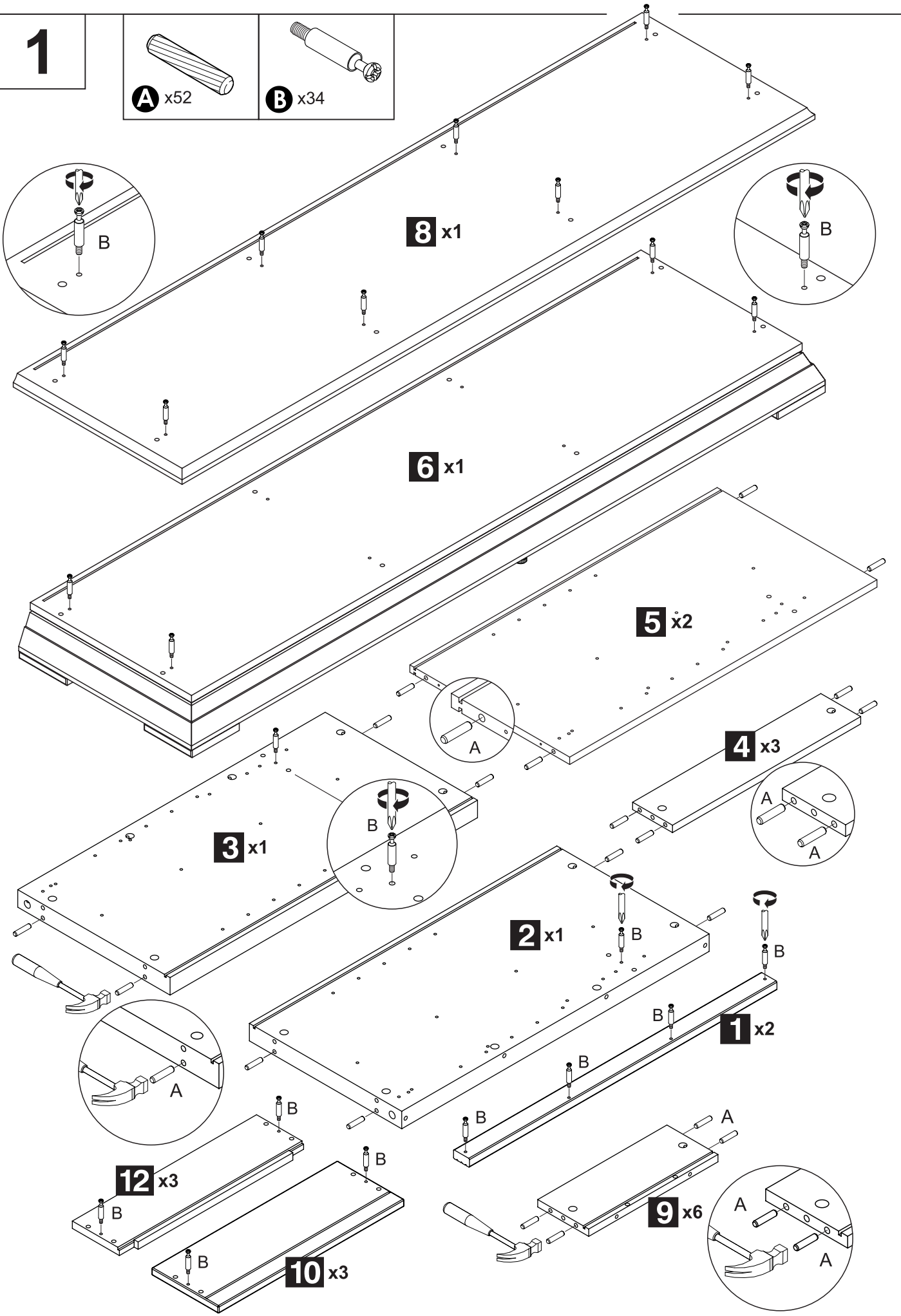
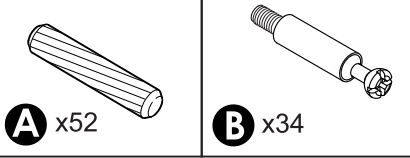
- EE Montaažijuhend
- SE Monteringsanvisningar
- FI Asennusohjeet
- GB Assembly instructions
- D Montageanleitung
- PL Instrukcja montażu
- NL voor de montage Montážní
- CZ návod
- HU Szerelési útmutató
- TR Montaj talimatı
- IT Istruzioni di montaggio
- FR Notice de montage handleiding
- SK Návod na montáž
- RO Instrucțiuni de montaj
- RU Инструкция по монтажу



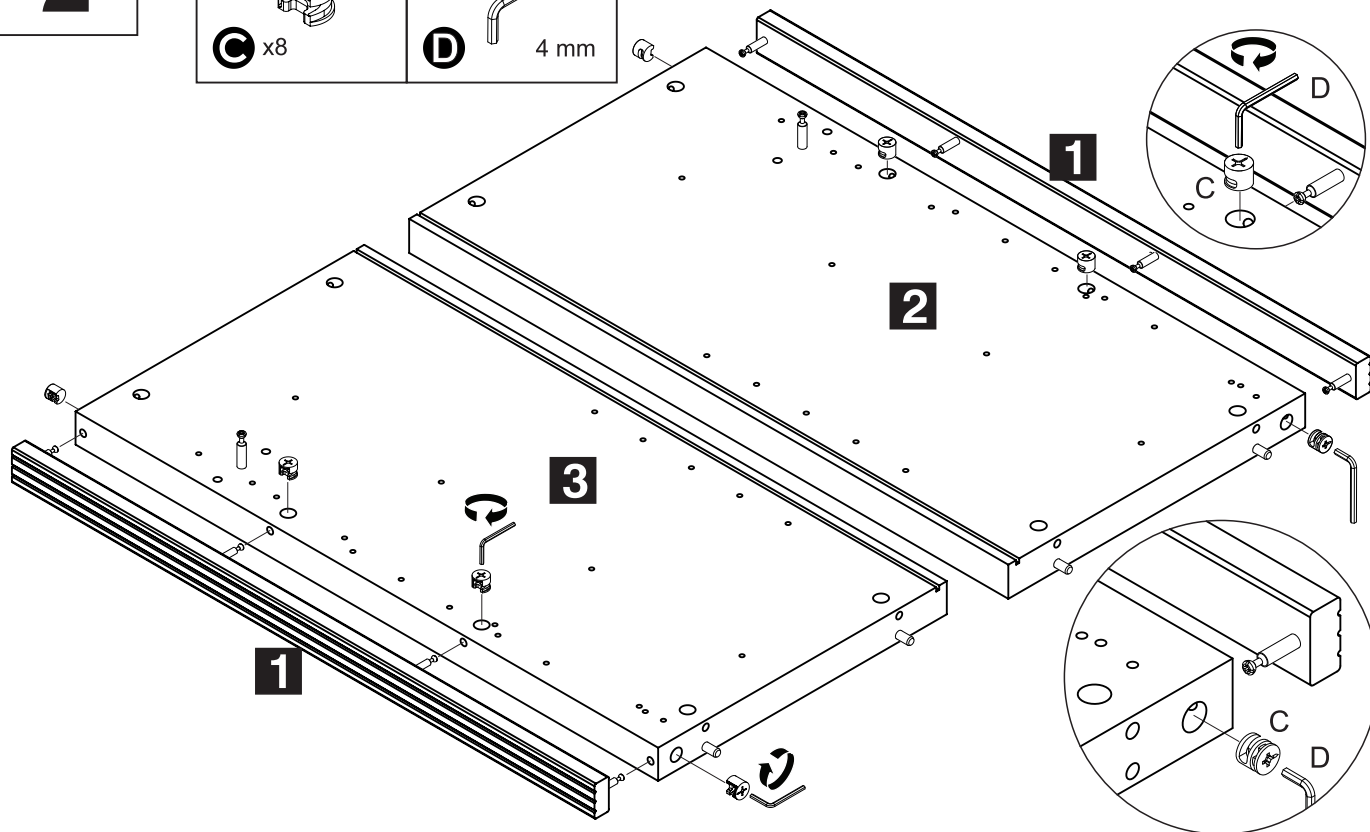
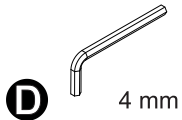


|                                                                                                         |                                                                                                         |                                                                                                         |                                                                                                              |                                                                                                               |                                                                                                                         |
|---------------------------------------------------------------------------------------------------------|---------------------------------------------------------------------------------------------------------|---------------------------------------------------------------------------------------------------------|--------------------------------------------------------------------------------------------------------------|---------------------------------------------------------------------------------------------------------------|-------------------------------------------------------------------------------------------------------------------------|
|  <p><b>A</b> x52</p> |  <p><b>B</b> x38</p> |  <p><b>C</b> x38</p> |  <p><b>D</b> x1 4 mm</p> |  <p><b>E</b> x12</p>     |  <p><b>F</b> x3P<br/>FL<br/>FR</p> |
|  <p><b>G</b> x12</p> |  <p><b>H</b> x3</p>  |  <p><b>I</b> x6</p>  |  <p><b>J</b> x16</p>      |  <p><b>K</b> x4 5x50</p> |  <p><b>L</b> x1 3 mm</p>           |

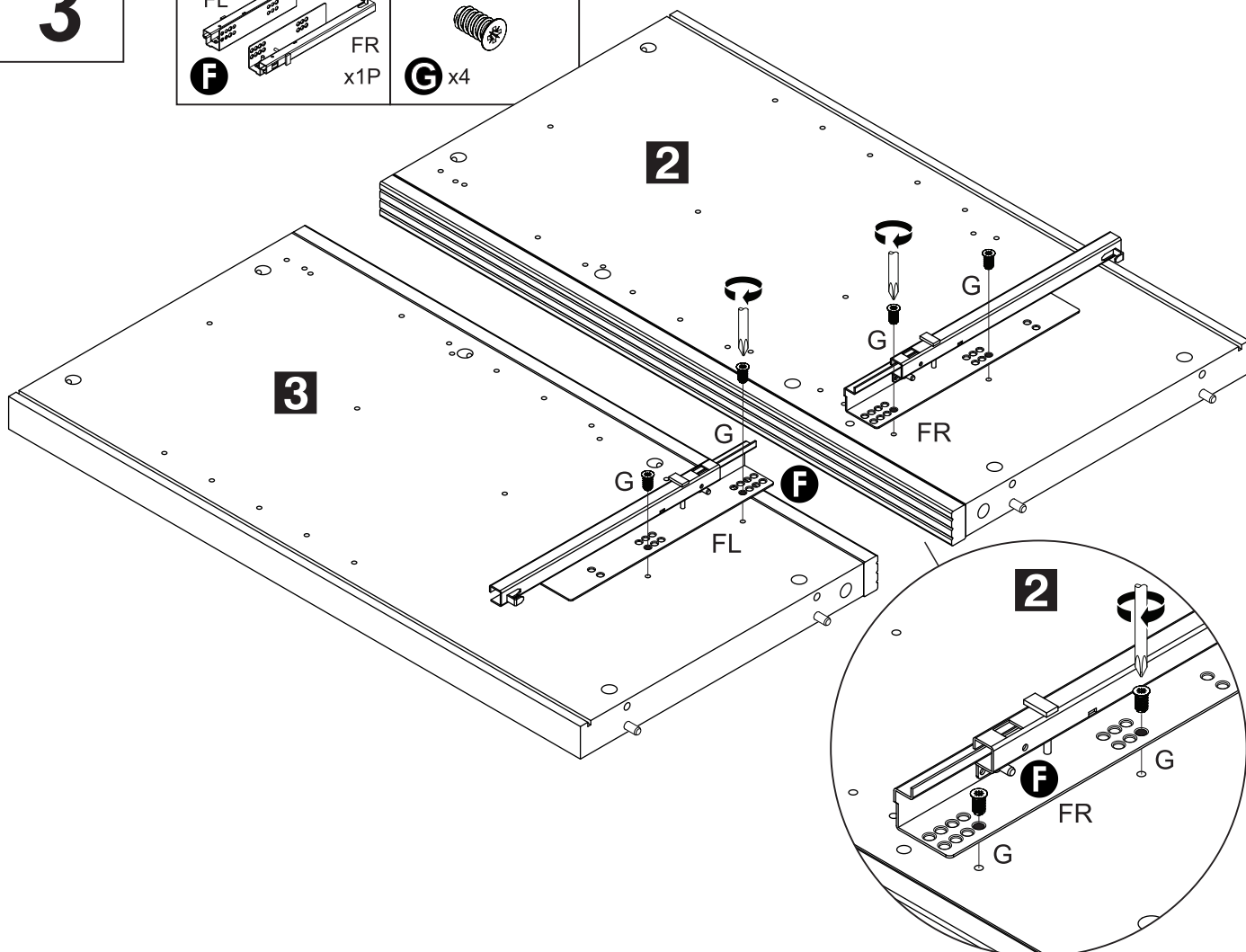
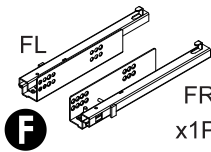
1



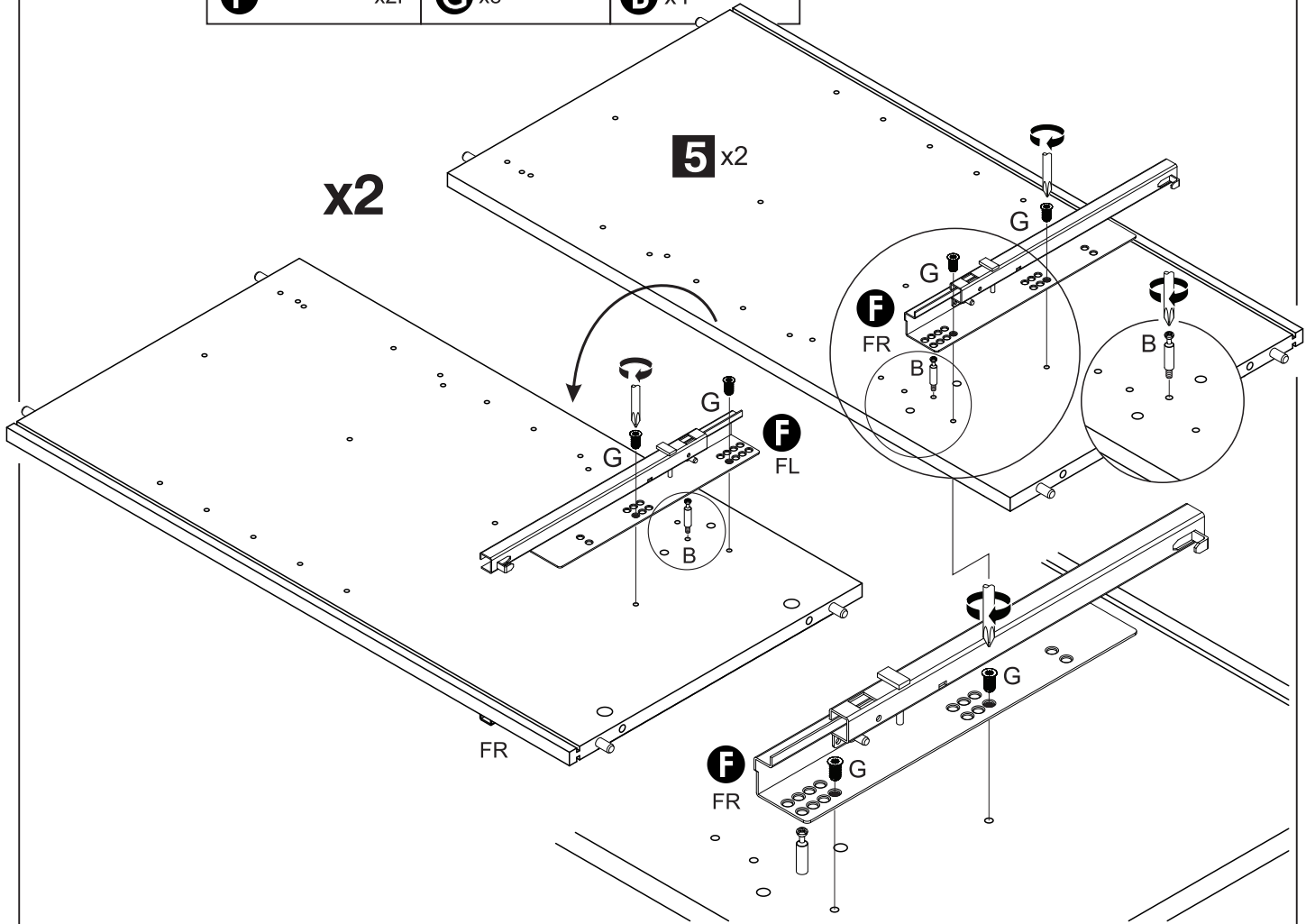
**2**



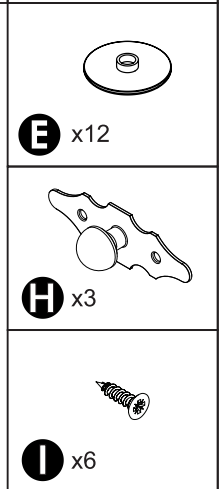
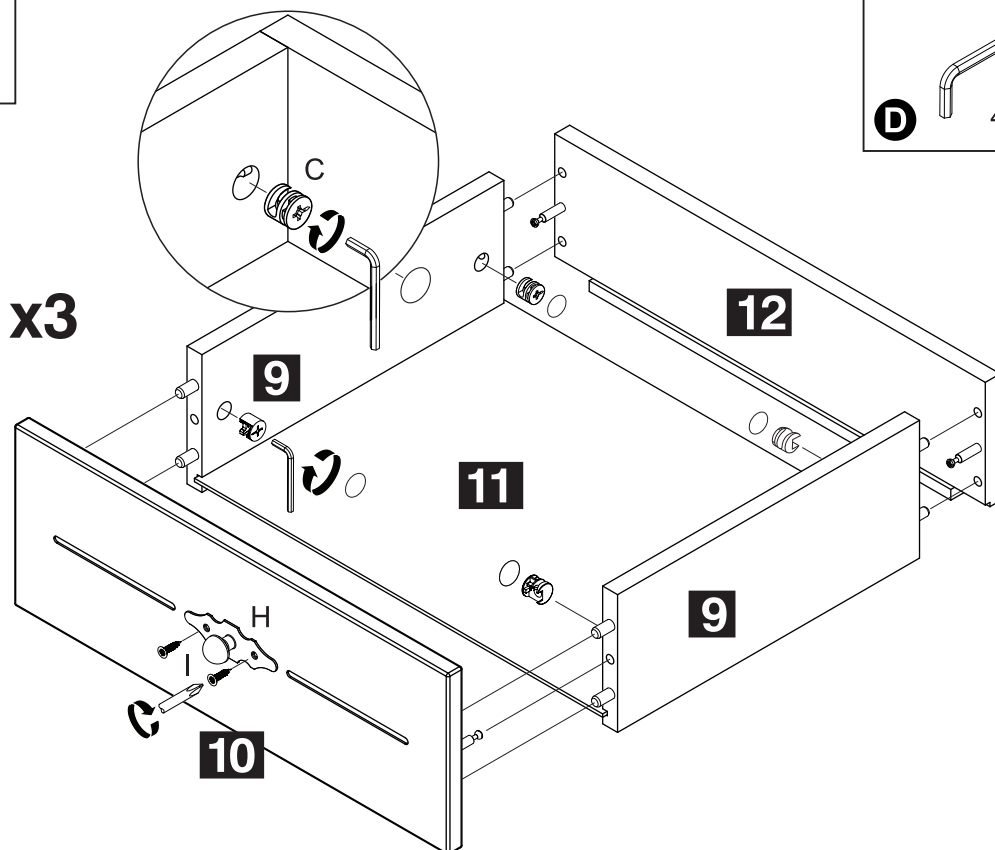
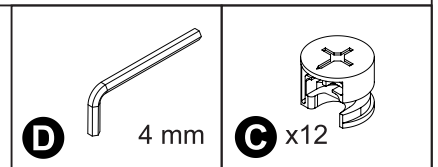
**3**



**4**



**5**



6

D

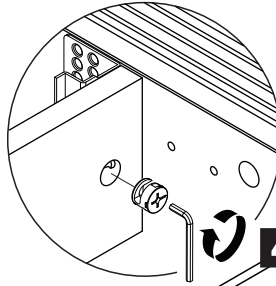


4 mm

C



x6



4

2

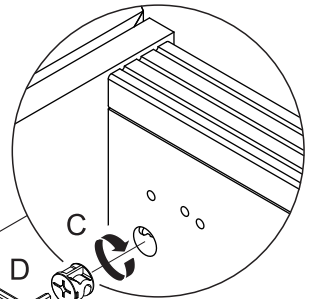
4

5

4

5

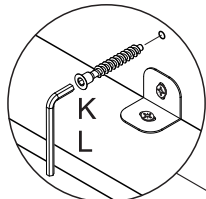
3



C

D

7



K

L

K

K

C

6

C

D

C

C

x4



K

x4

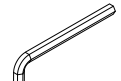
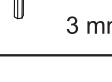
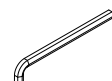
5x50

L

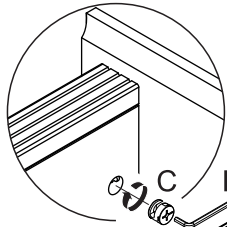
3 mm

D

4 mm



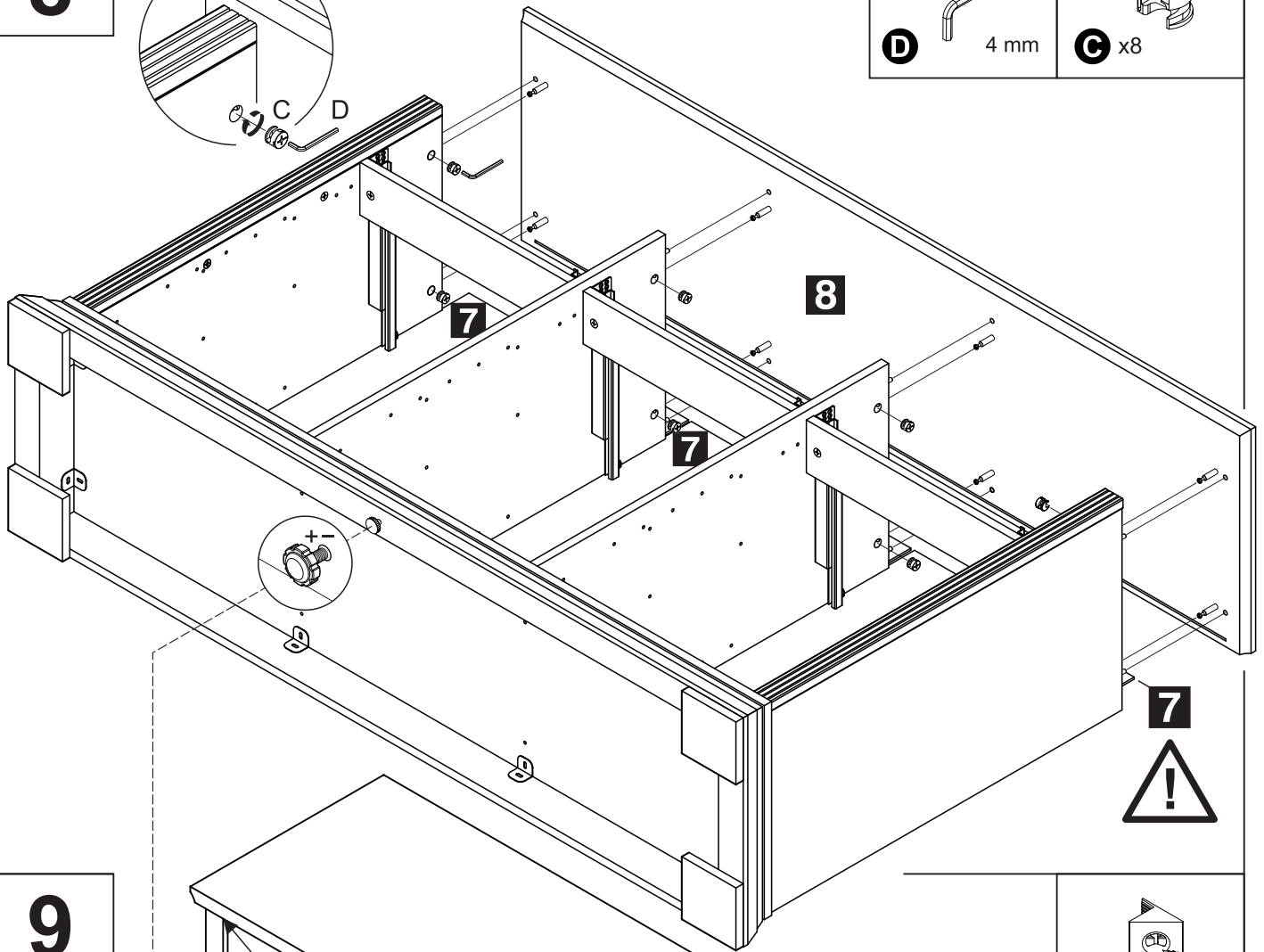
8



**D**

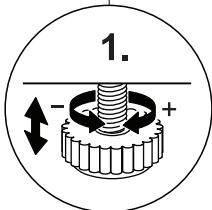
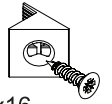
4 mm

**C** x8



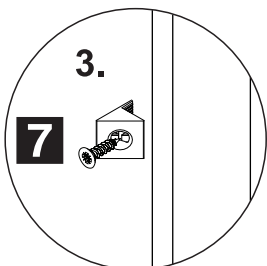
9

**J** x16

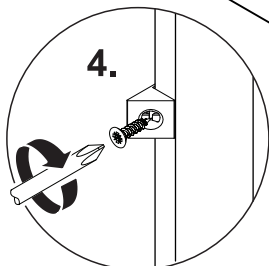


1.

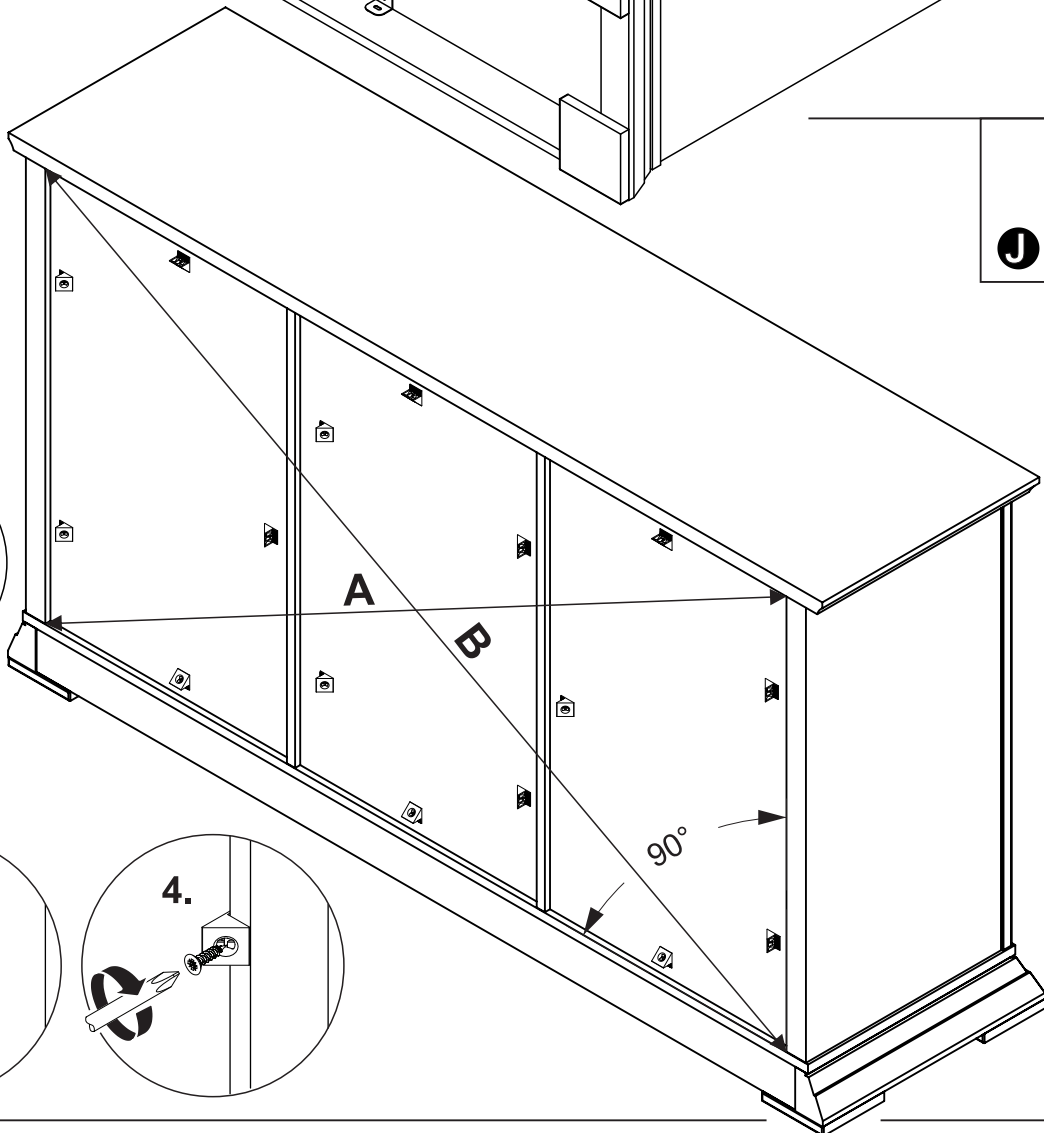
2.  
**A=B**



3.

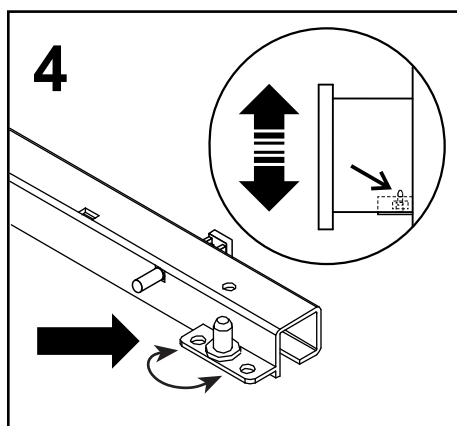
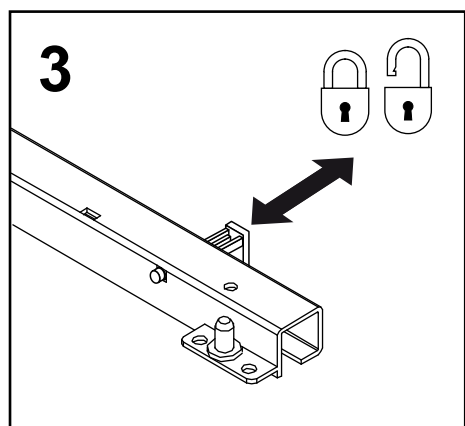
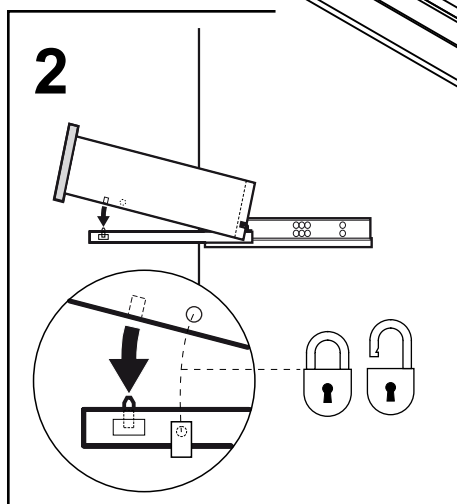
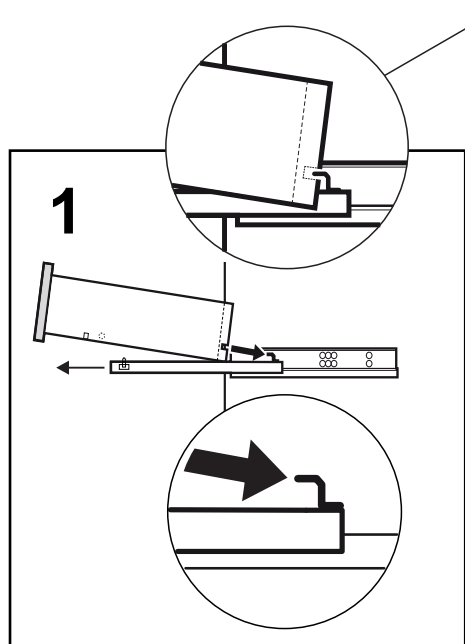
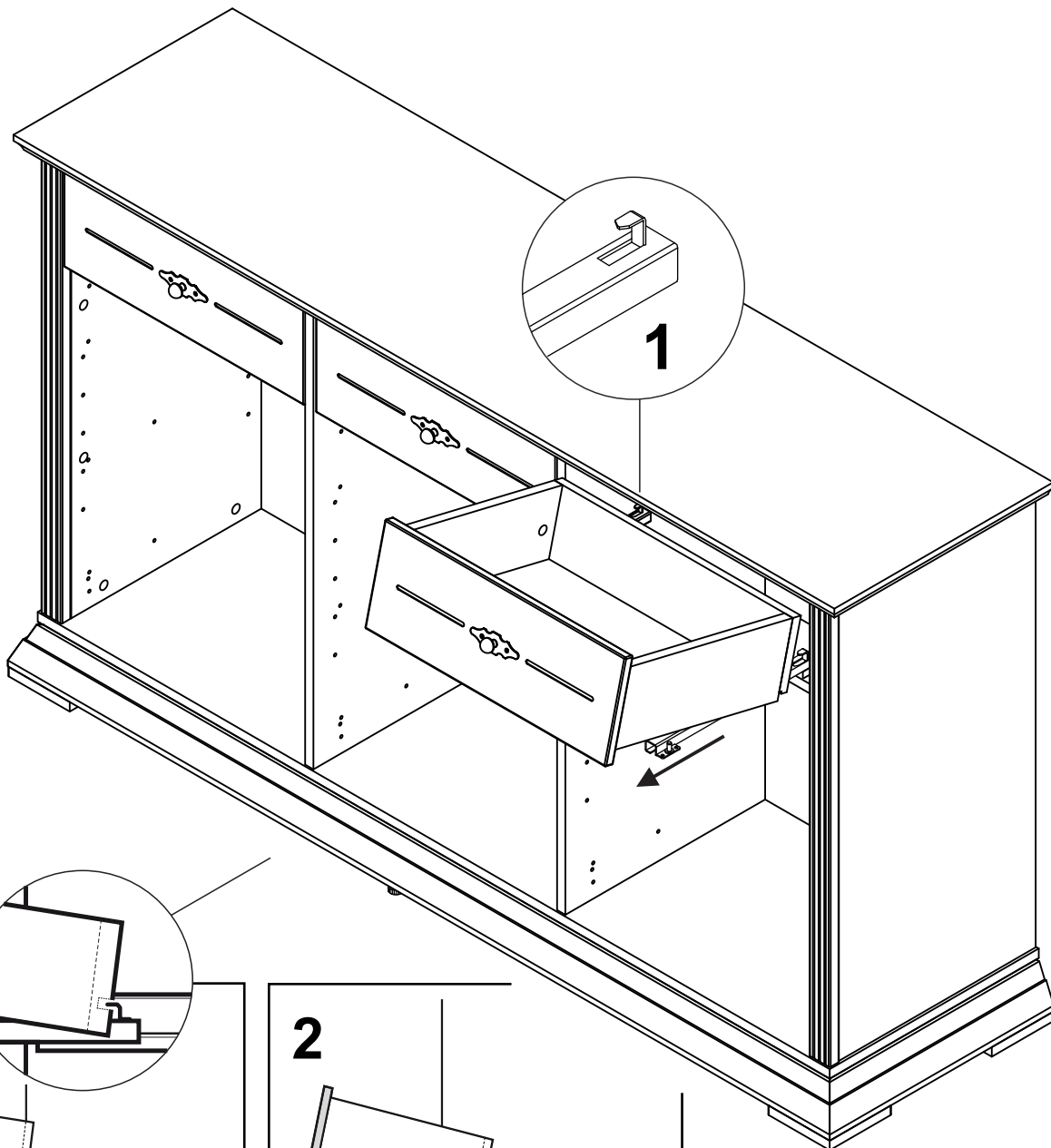


4.



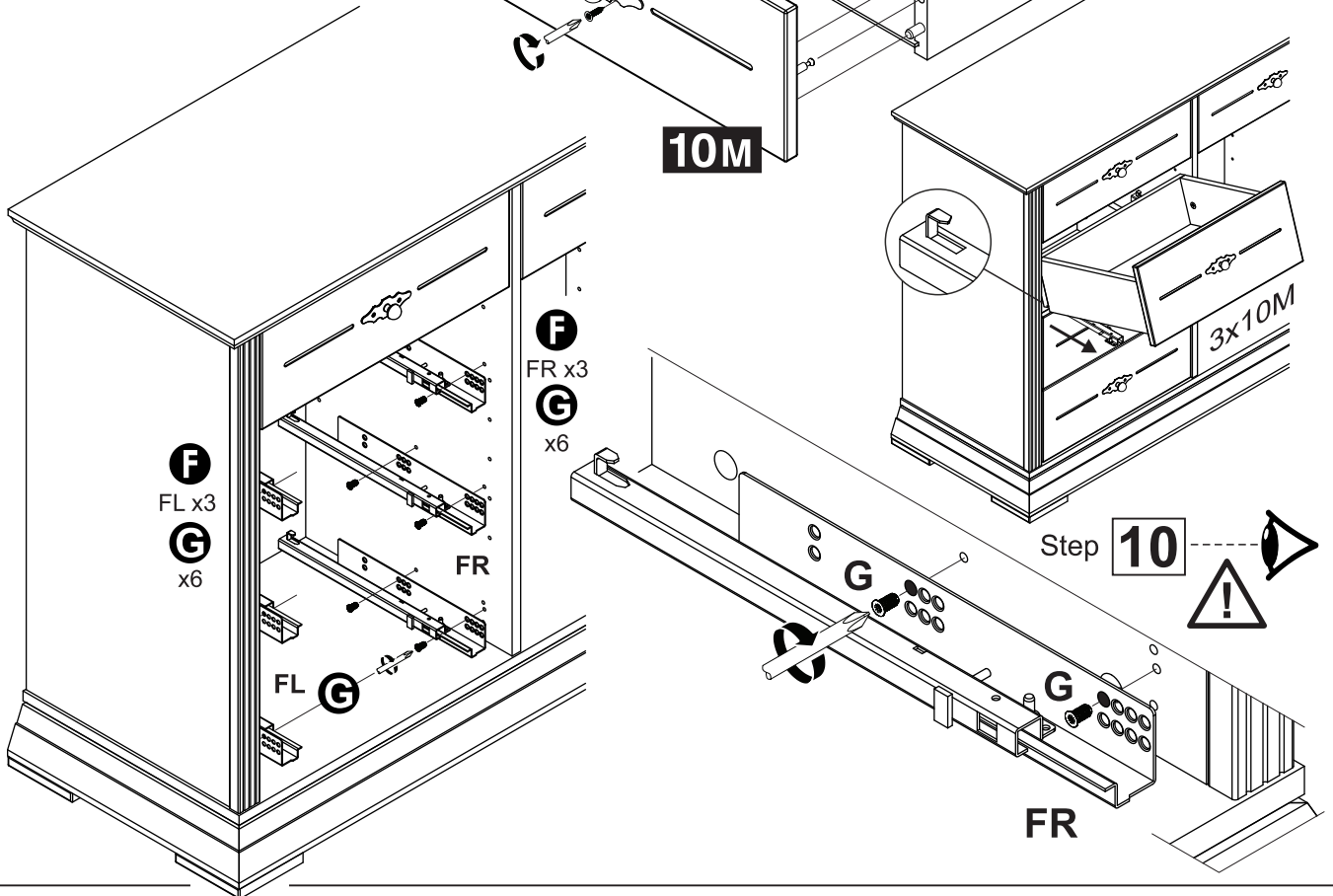
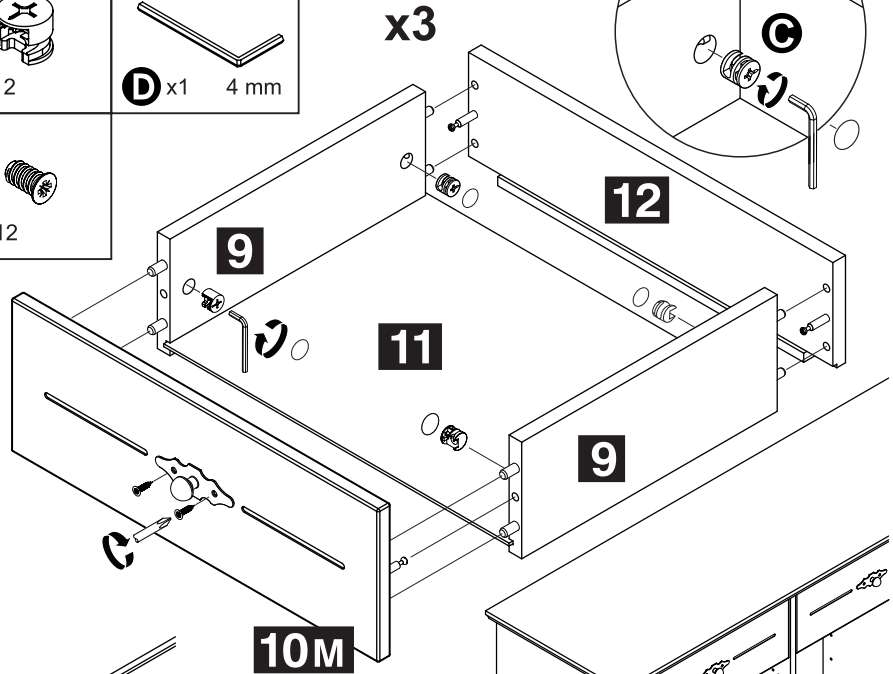
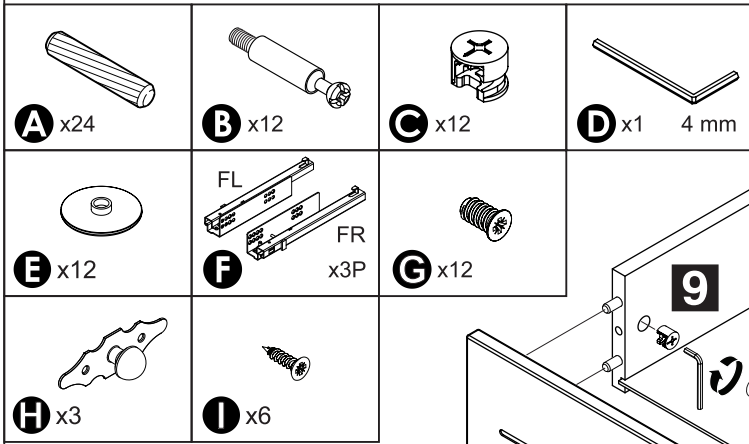
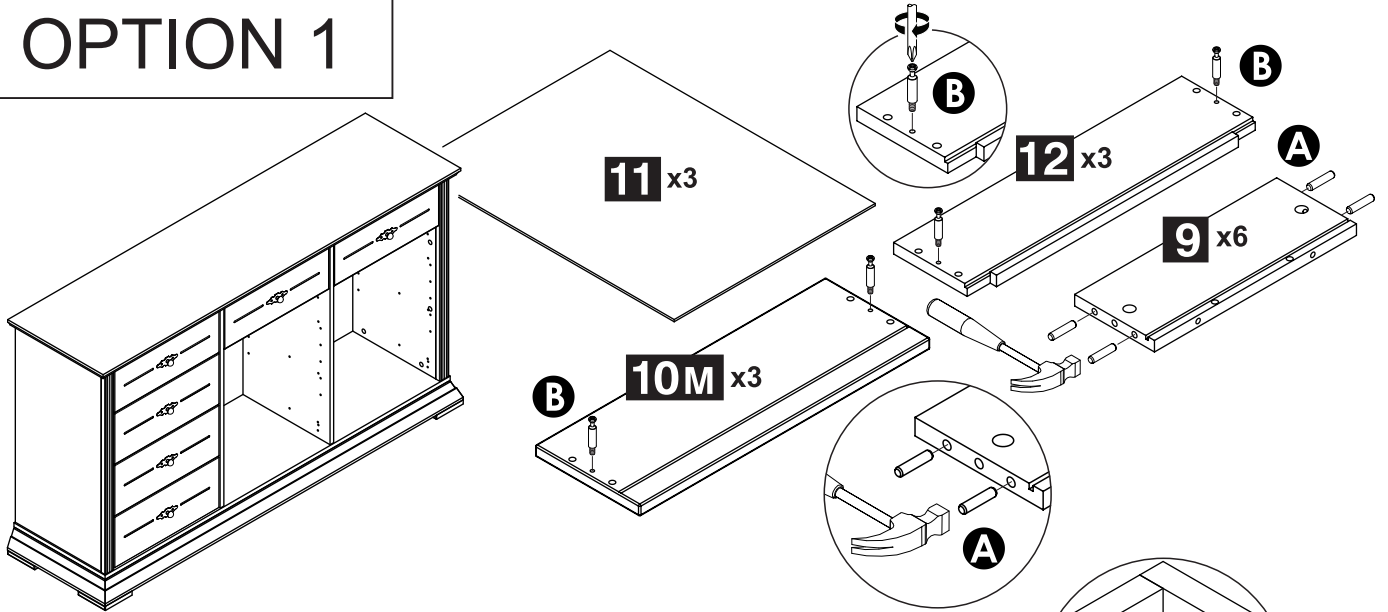
# 10

Step

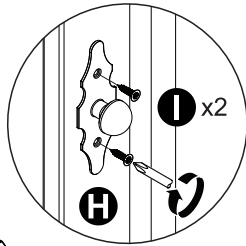
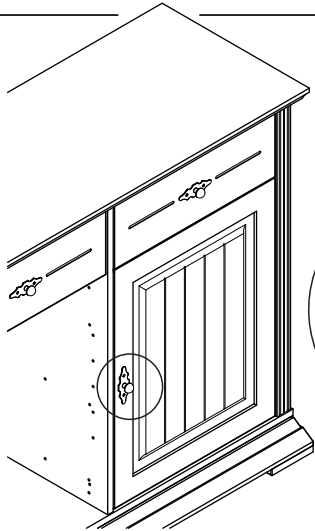




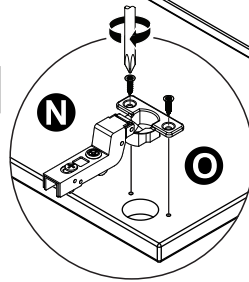
# OPTION 1



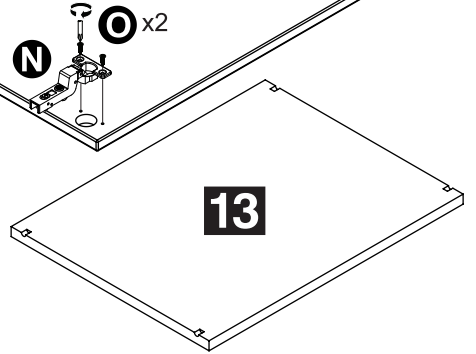
# OPTION 2



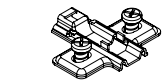
14



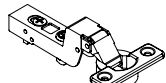
14



13



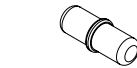
M x2



N x2



O x4



P x4



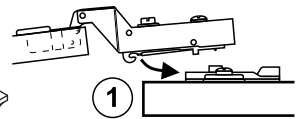
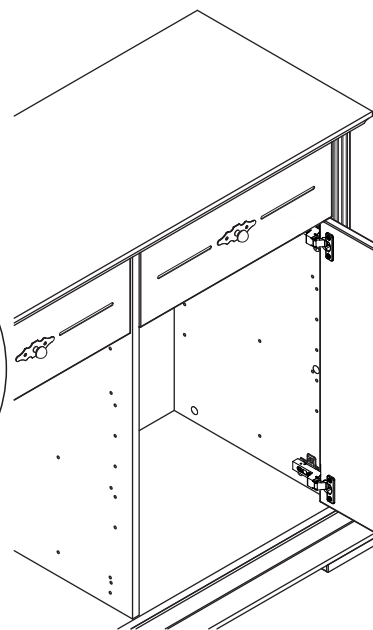
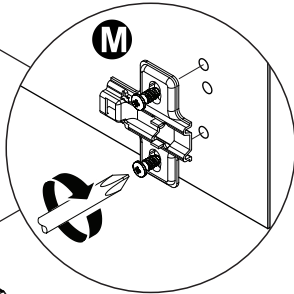
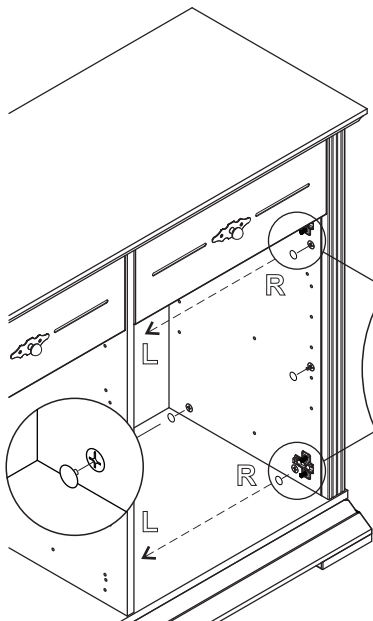
E x8



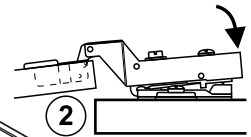
H x1



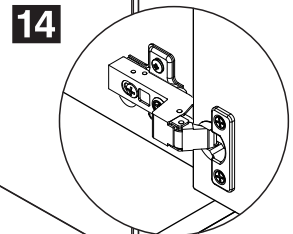
I x2



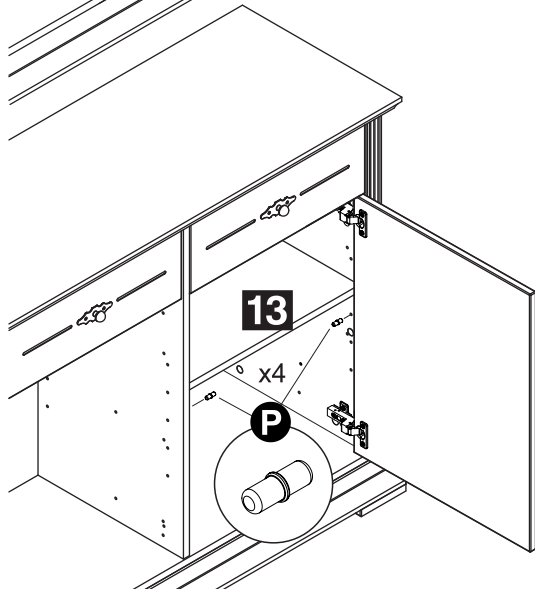
1



2

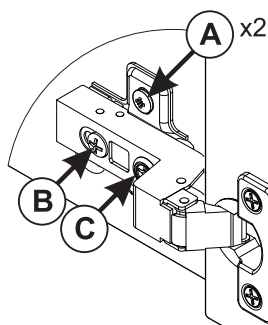


14



13

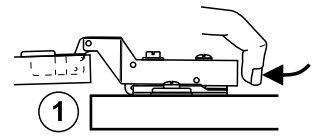
x4



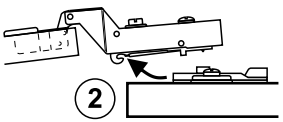
A x2

B

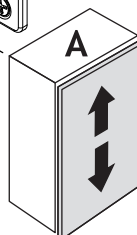
C



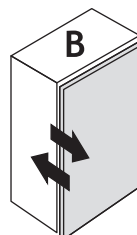
1



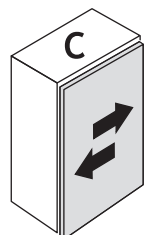
2



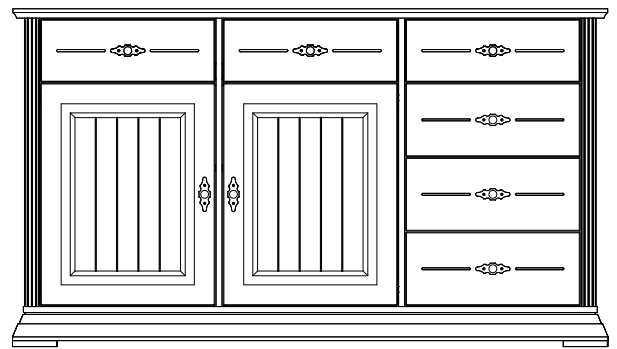
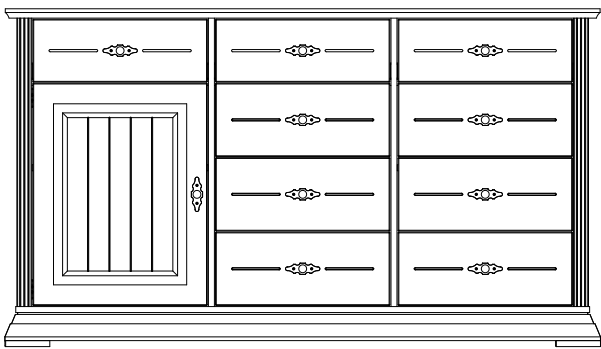
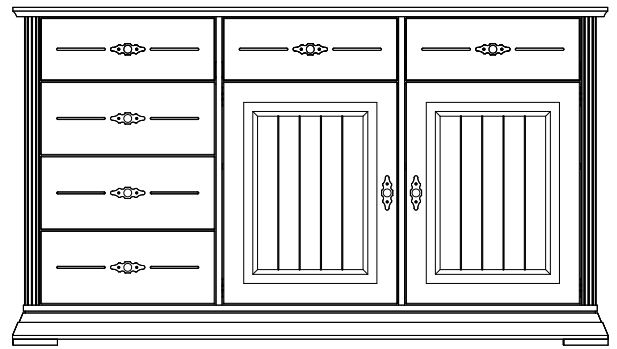
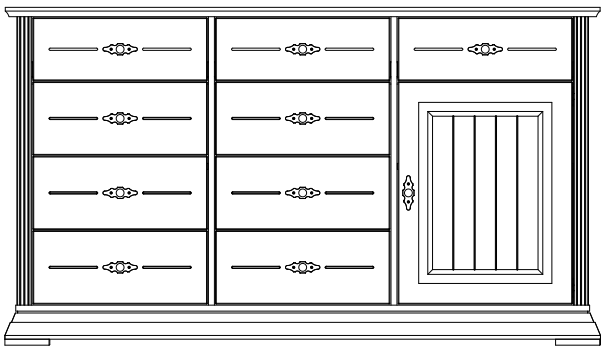
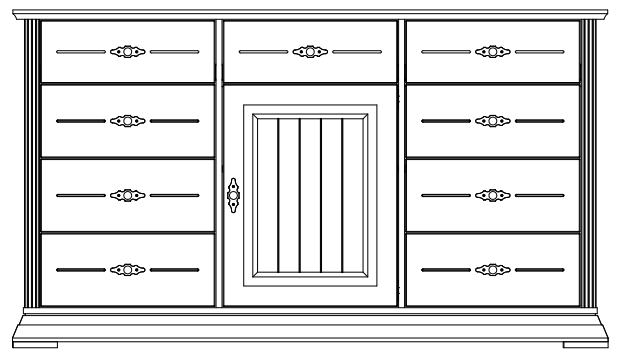
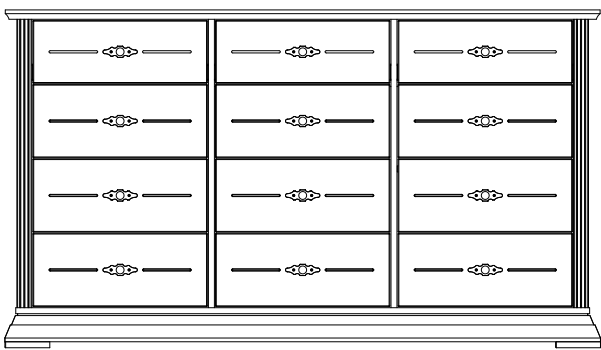
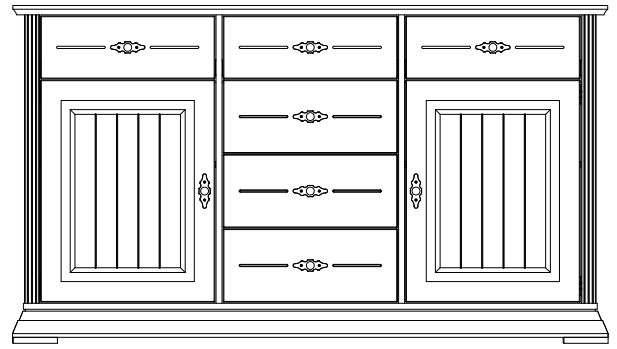
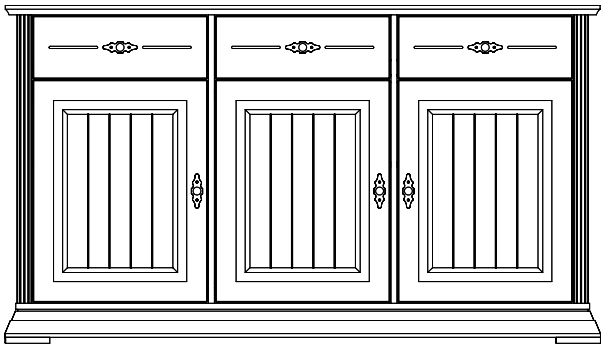
A



B



C

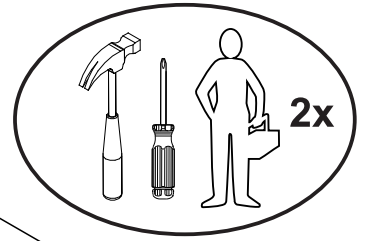


wermo

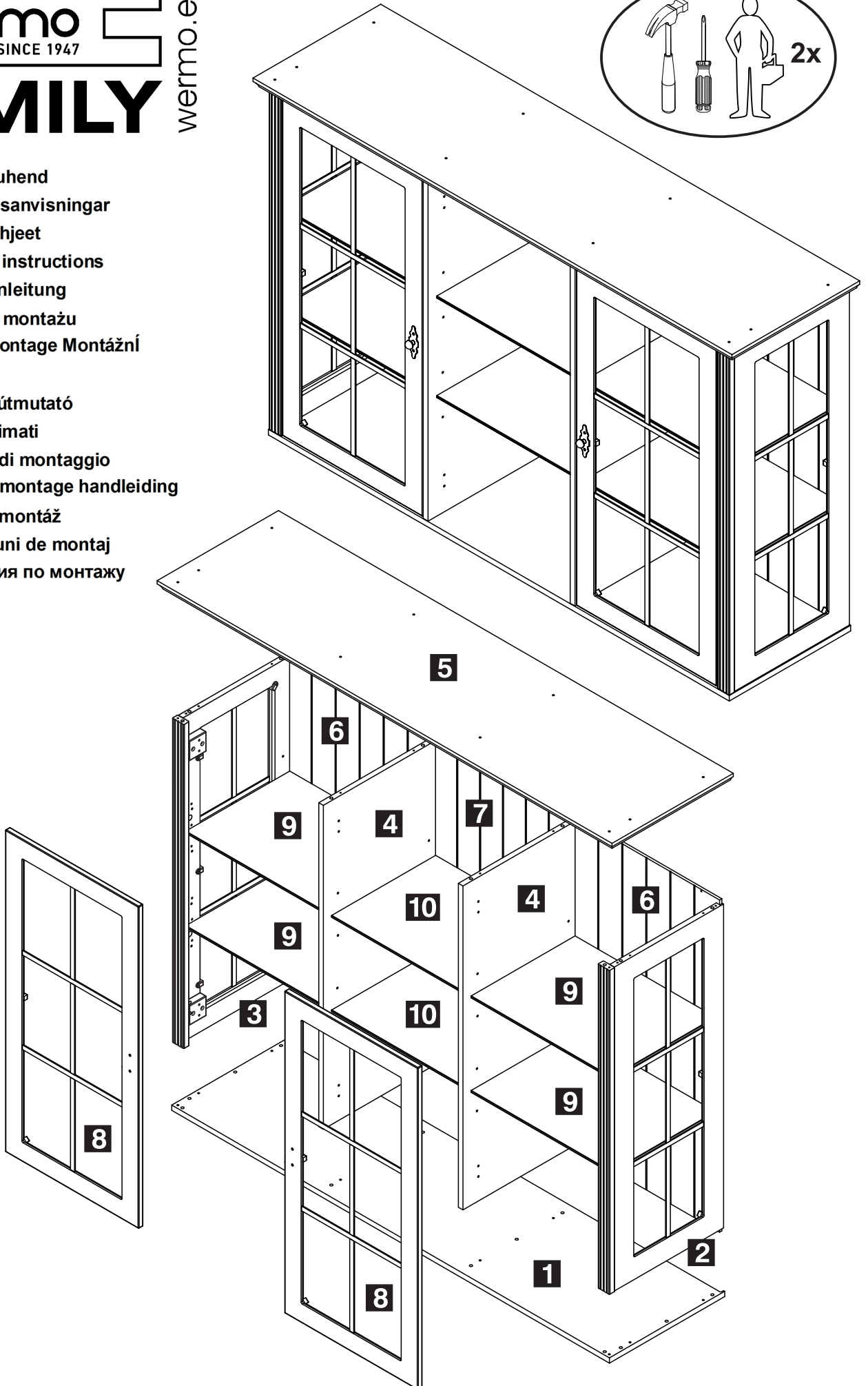
SINCE 1947

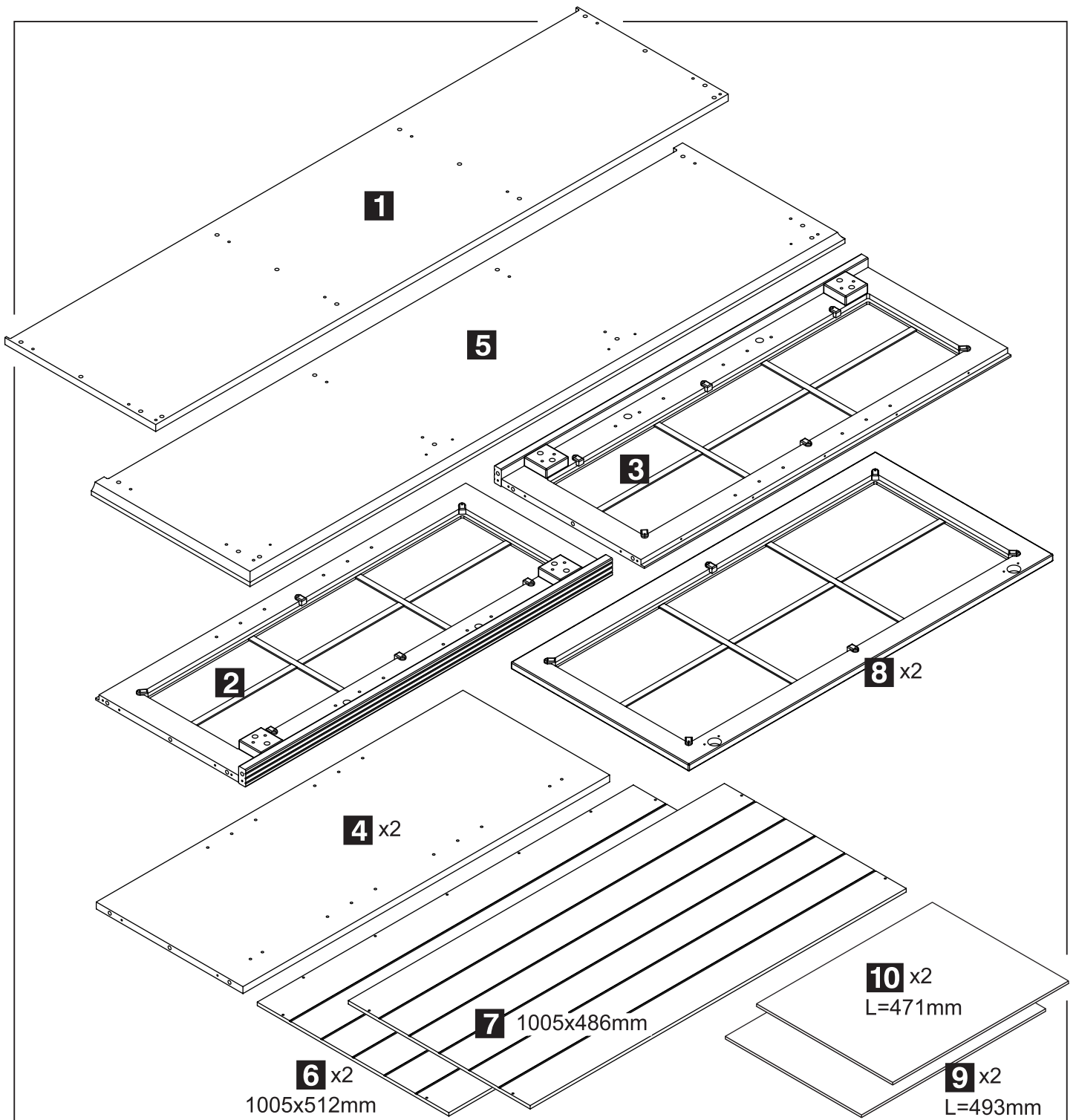
wermo.ee

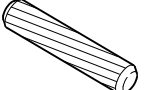
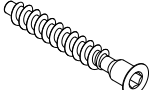
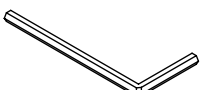


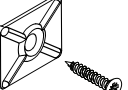



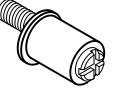
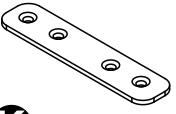

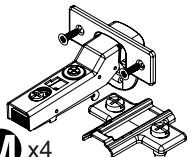
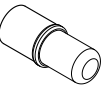
# FAMILY



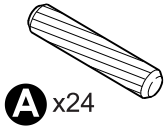
- EE Montaažijuhend
- SE Monteringsanvisningar
- FI Asennusohjeet
- GB Assembly instructions
- D Montageanleitung
- PL Instrukcja montażu
- NL voor de montage Montážní
- CZ návod
- HU Szerelési útmutató
- TR Montaj talimatı
- IT Istruzioni di montaggio
- FR Notice de montage handleiding
- SK Návod na montáž
- RO Instrucțiuni de montaj
- RU Инструкция по монтажу



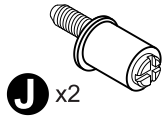


|                                                                                                            |                                                                                                          |                                                                                                         |                                                                                                         |                                                                                                          |                                                                                                             |
|------------------------------------------------------------------------------------------------------------|----------------------------------------------------------------------------------------------------------|---------------------------------------------------------------------------------------------------------|---------------------------------------------------------------------------------------------------------|----------------------------------------------------------------------------------------------------------|-------------------------------------------------------------------------------------------------------------|
| <br><b>A</b> x24        | <br><b>B</b> x20 5x50 | <br><b>C</b> x1 3 mm | <br><b>D</b> x10 Ø12 | <br><b>E</b> x4 Ø17 | <br><b>F</b> x6 3x25   |
| <br><b>G</b> x22 3,5x25 | <br><b>H</b> x2       | <br><b>I</b> x4      | <br><b>J</b> x2      | <br><b>K</b> x2     | <br><b>L</b> x4 3,5x20 |
| <br><b>M</b> x4         | <br><b>N</b> x24 Ø5   |                                                                                                         |                                                                                                         |                                                                                                          |                                                                                                             |

1



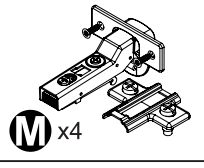
A x24



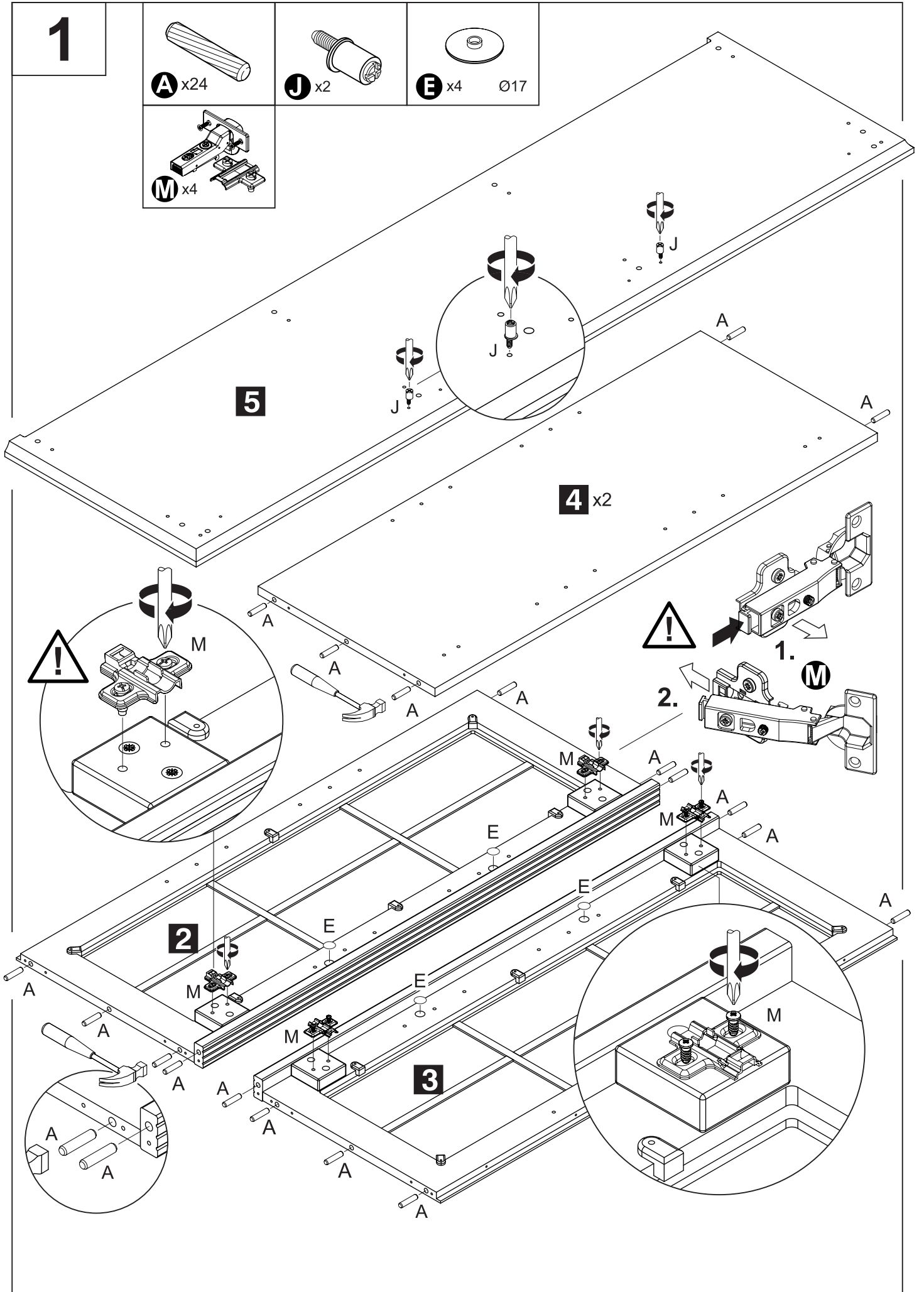
J x2



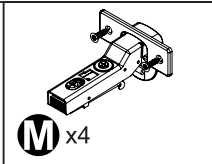
E x4 Ø17



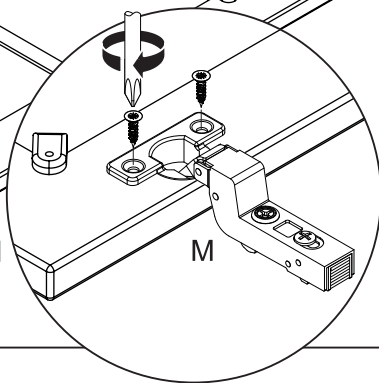
M x4



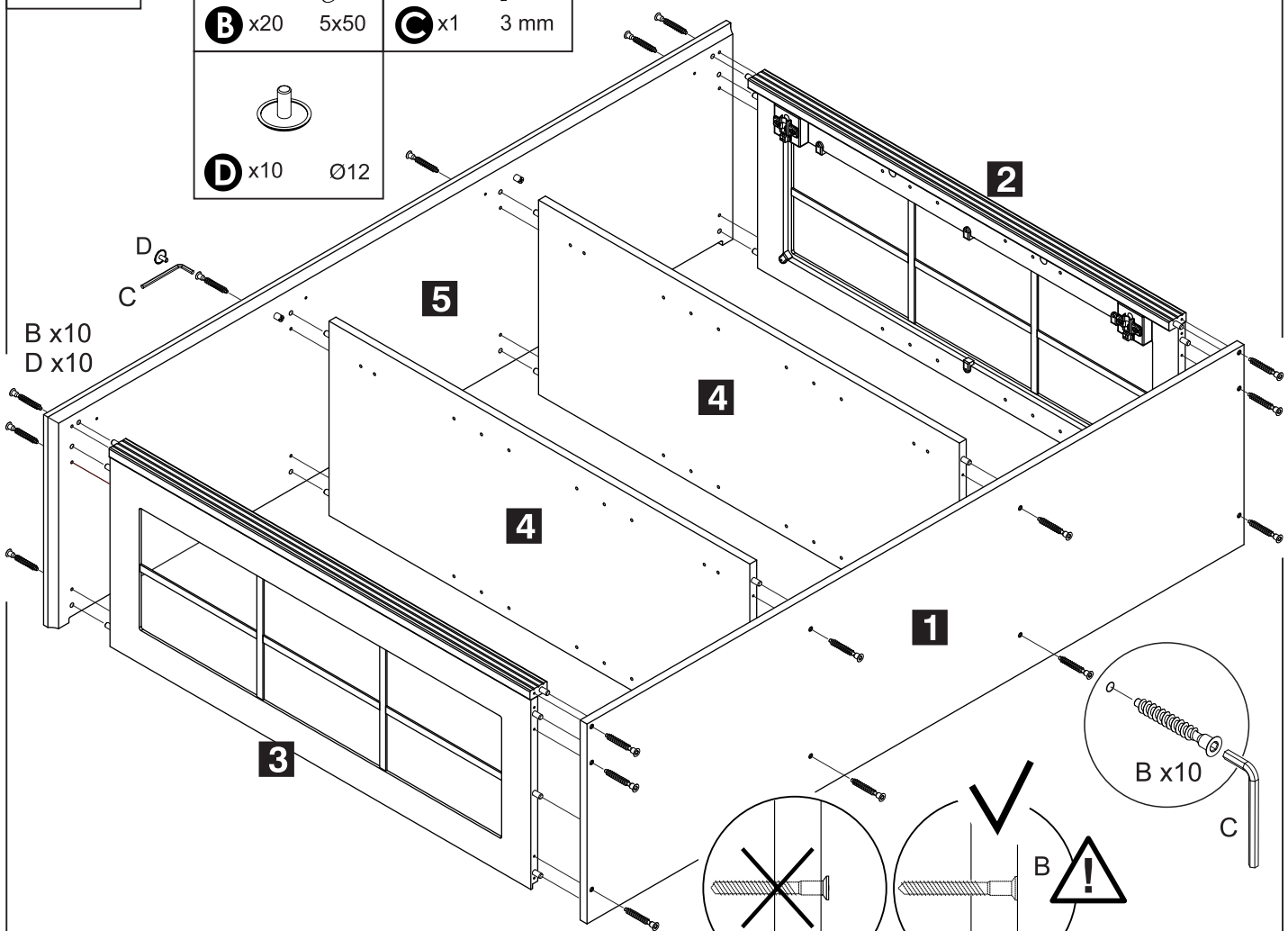
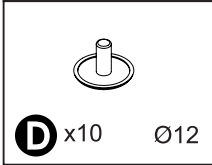
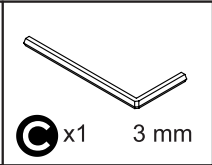
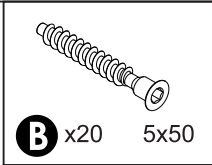
2



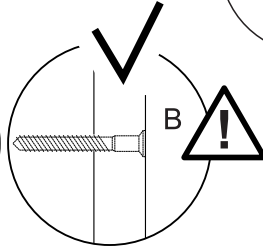
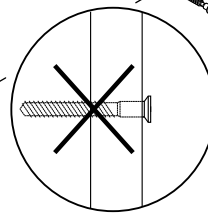
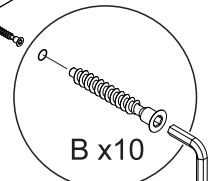
**8** x2



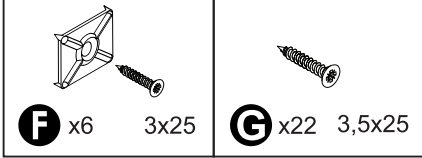
3



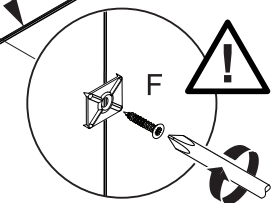
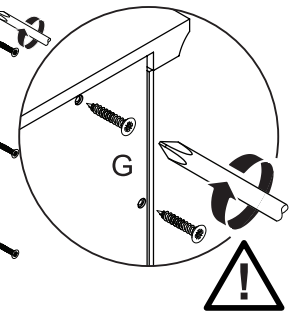
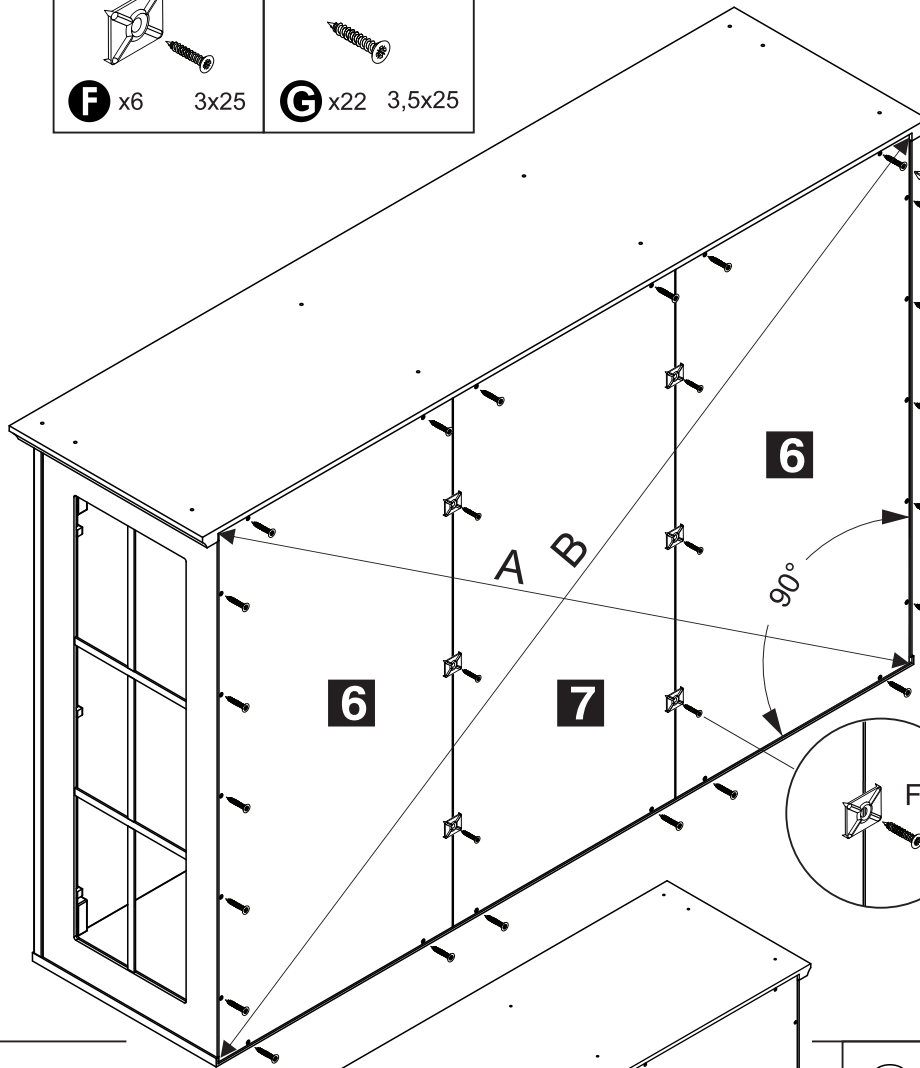
B x10  
D x10



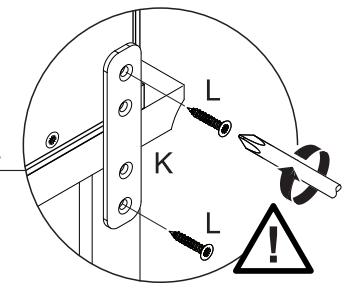
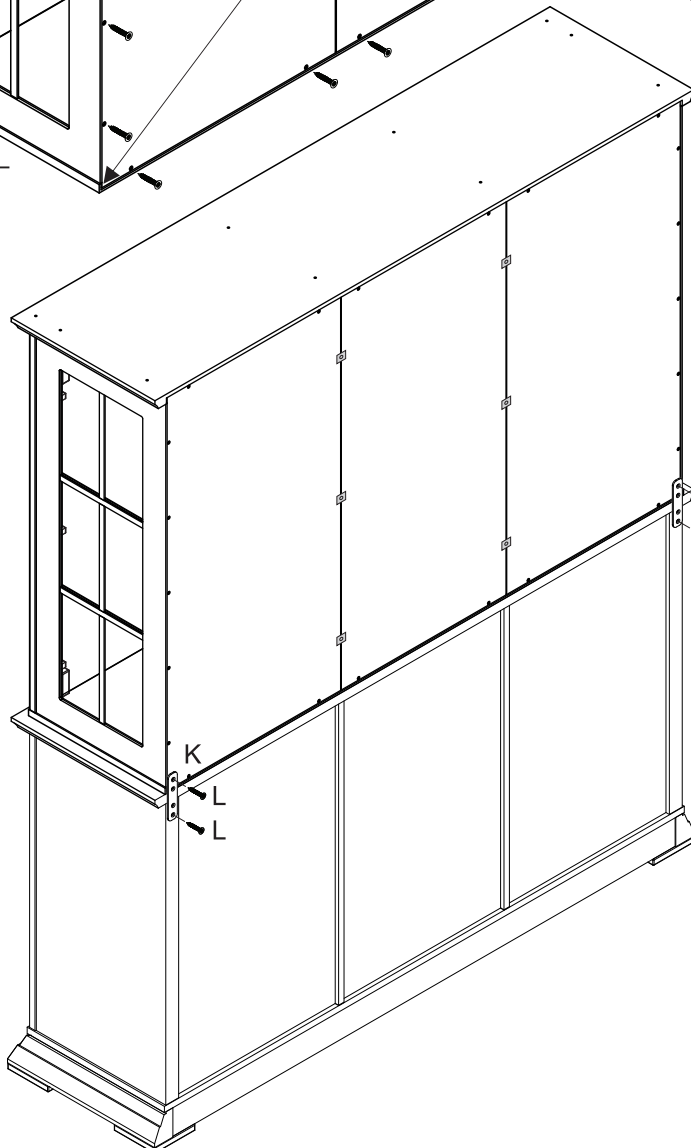
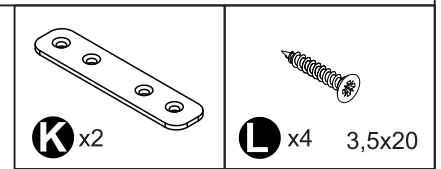
4



**!**  
A=B

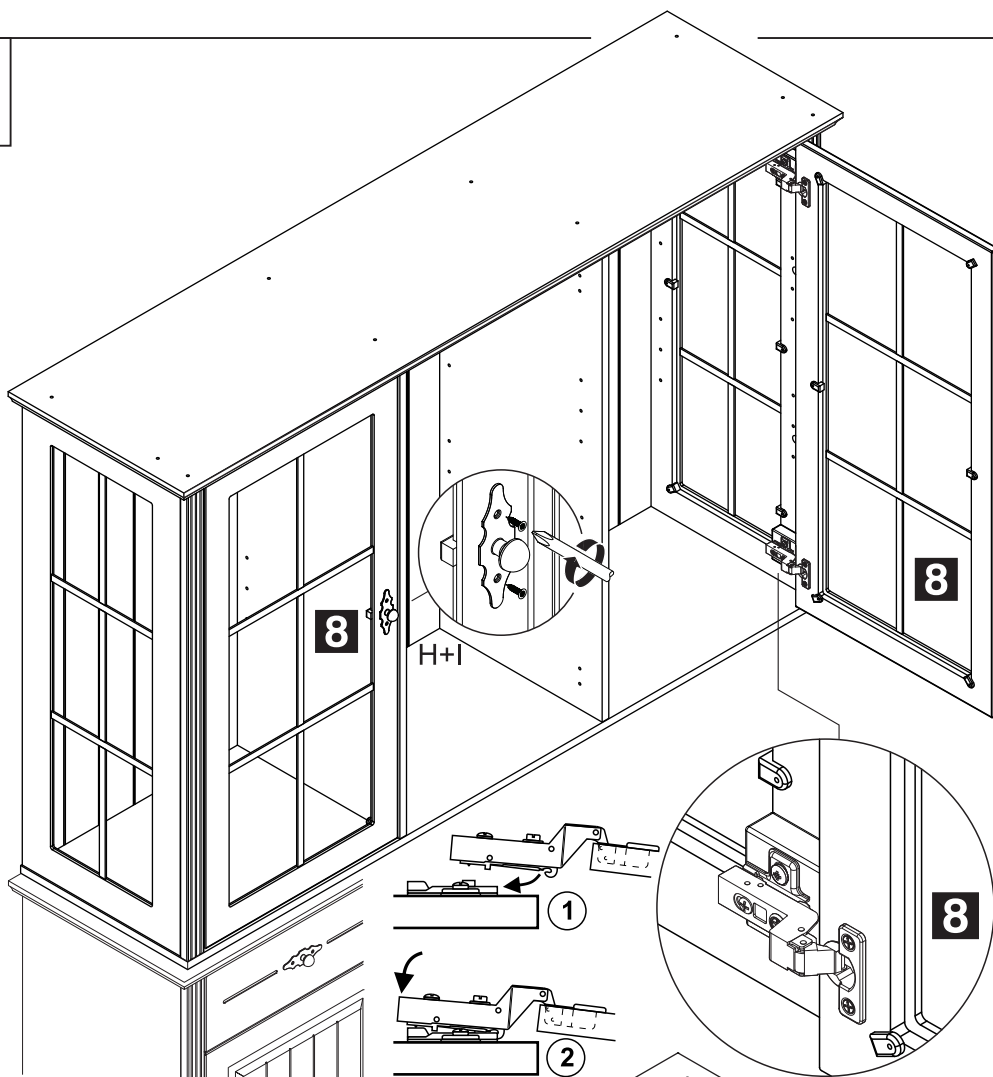




5

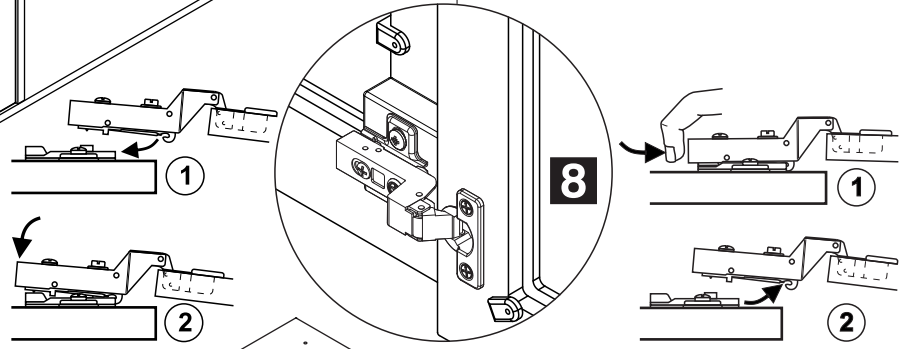




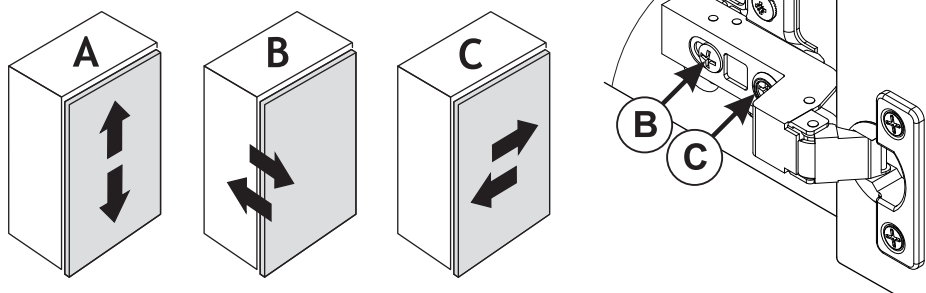
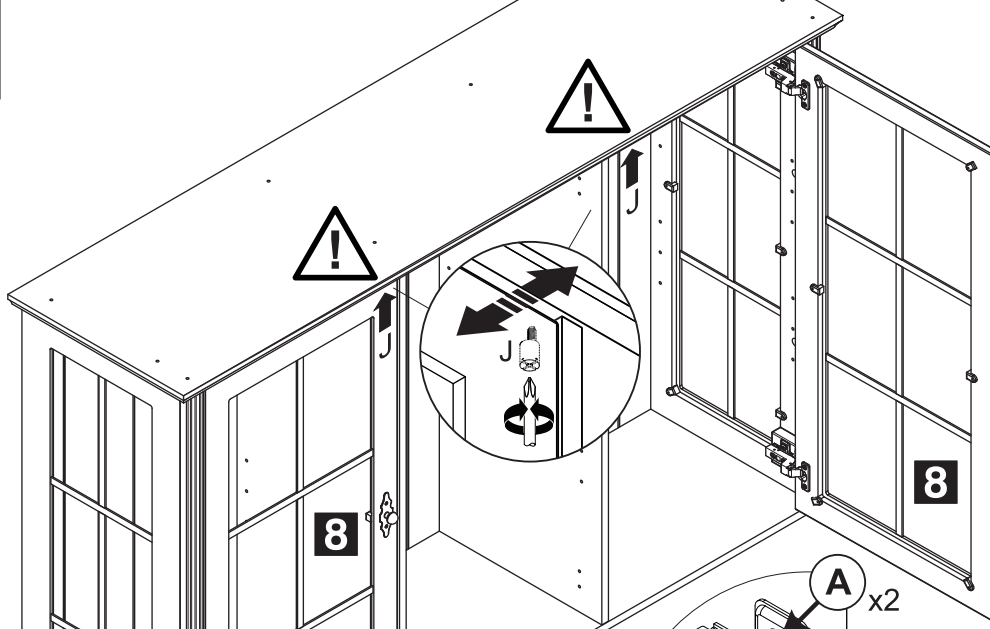
6



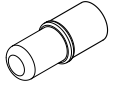
-  x2
-  x4



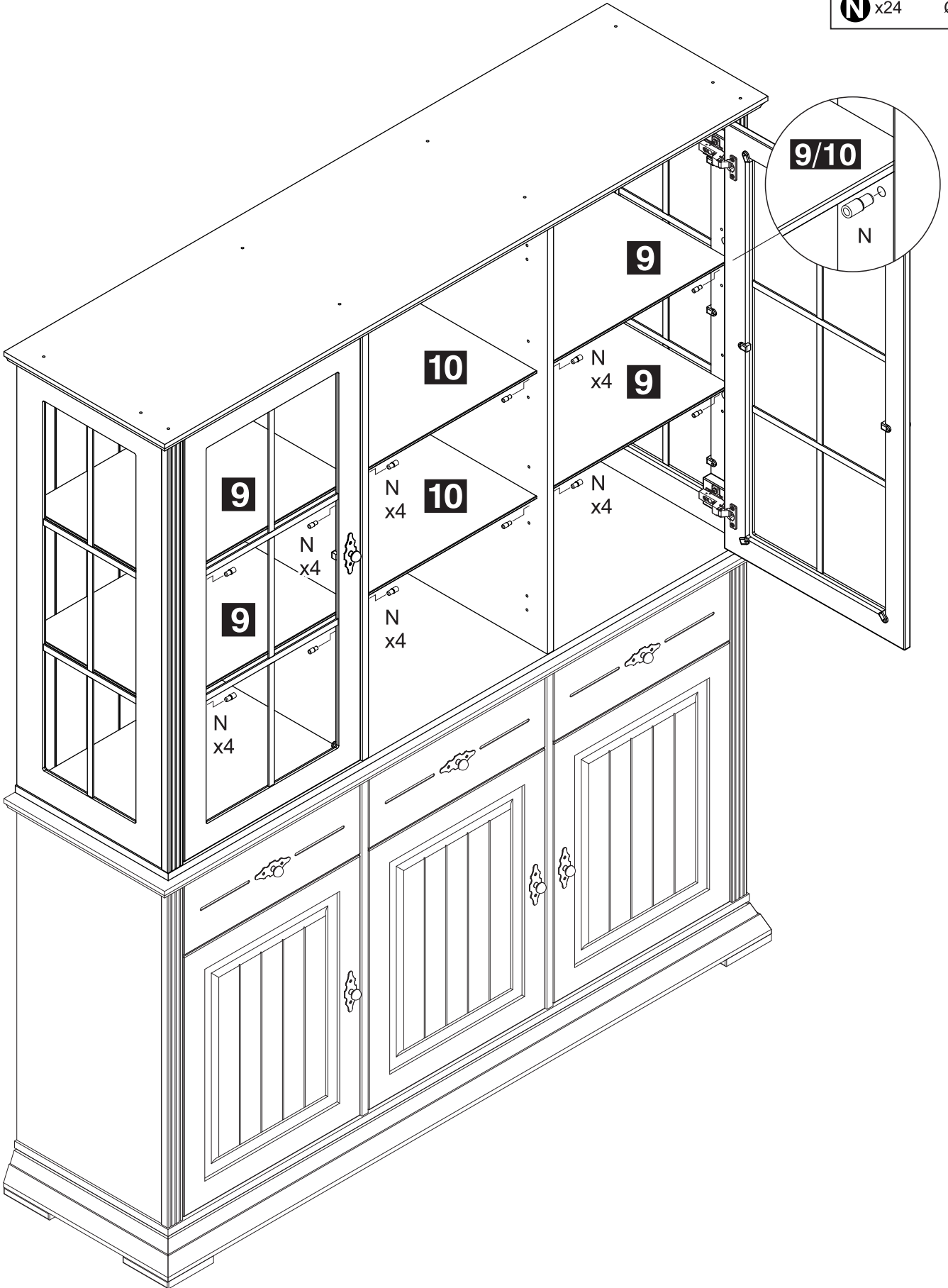
7



8



**N** x24    Ø5



# OPTION 1

