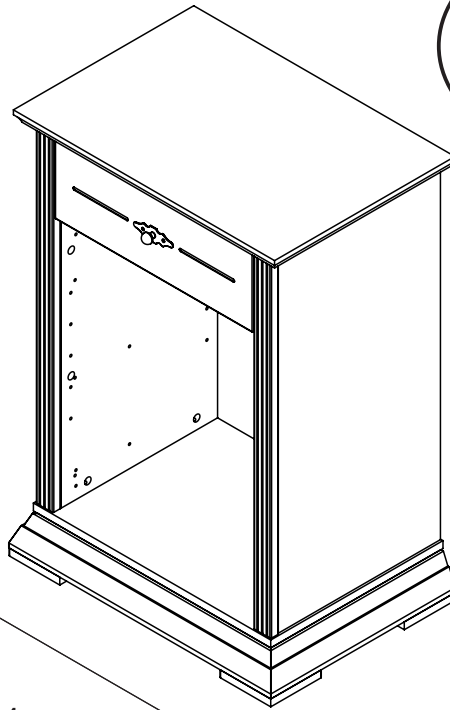
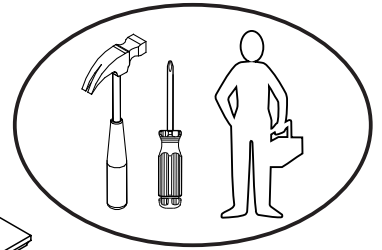


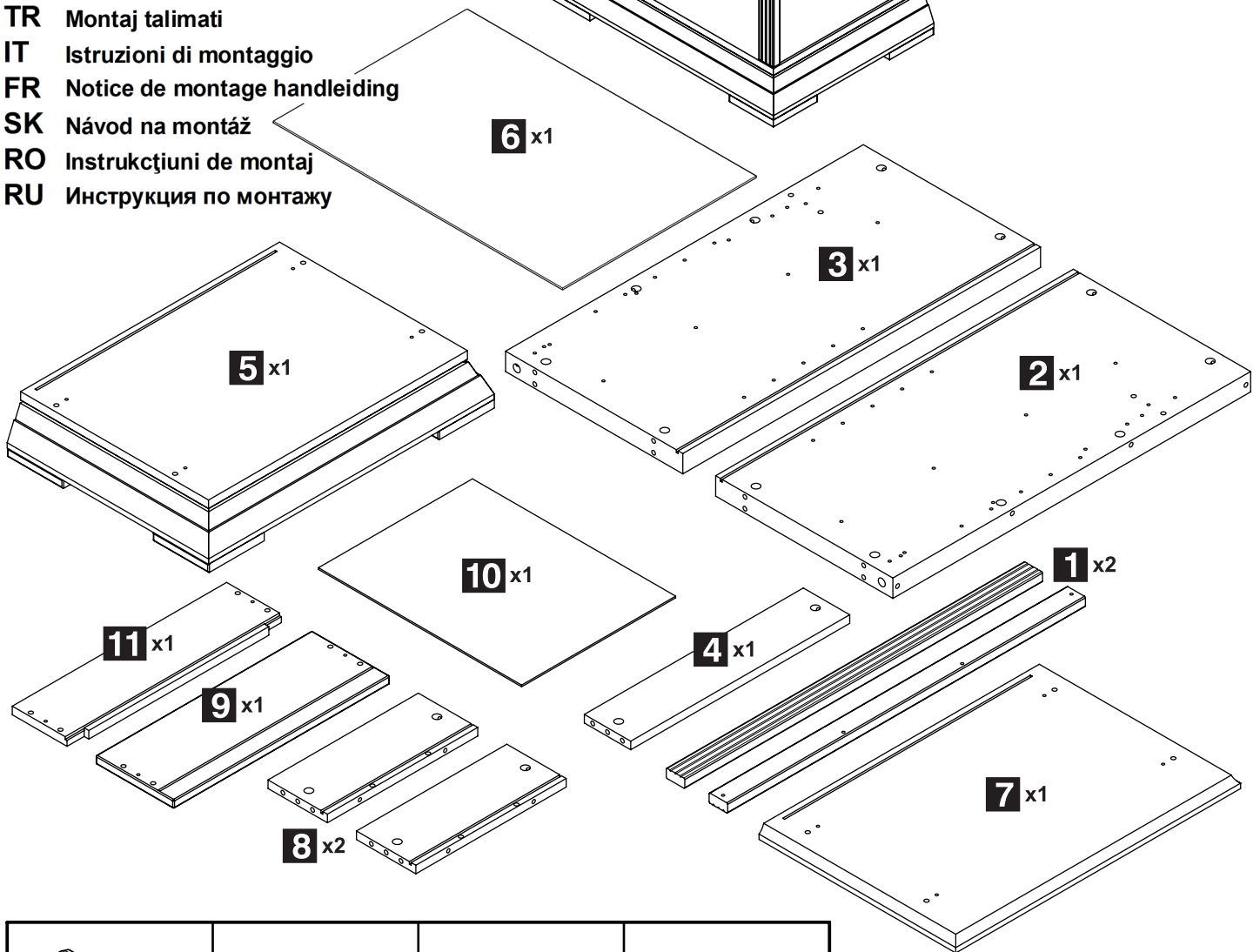
wermo
SINCE 1947

wermo.ee

FAMILY

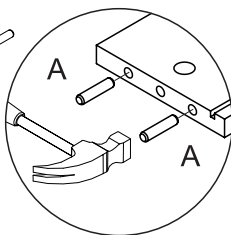
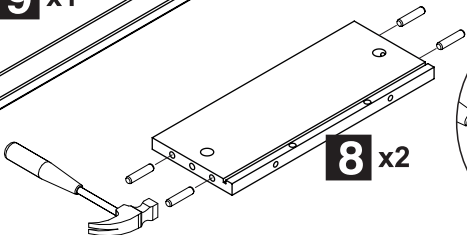
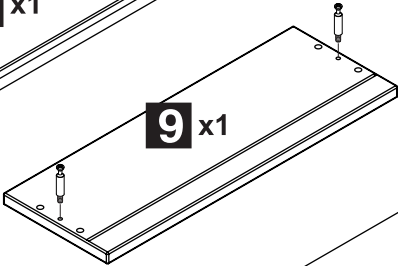
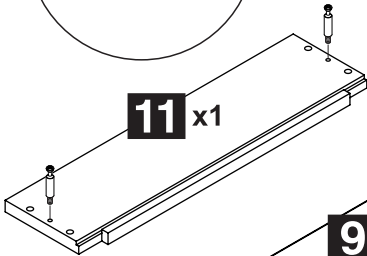
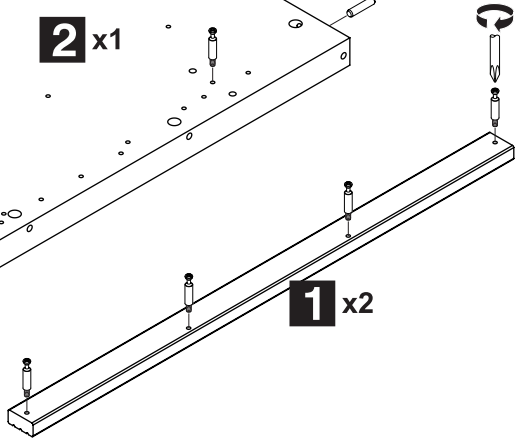
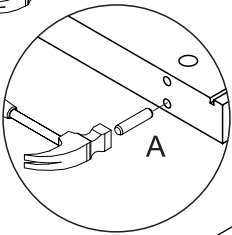
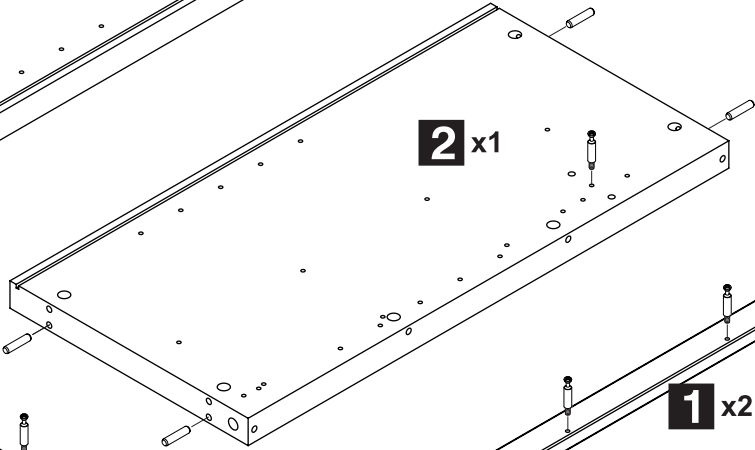
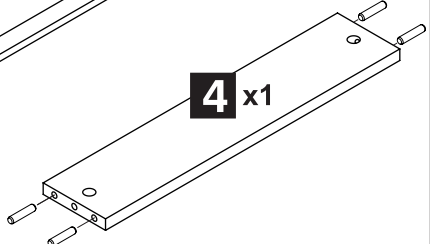
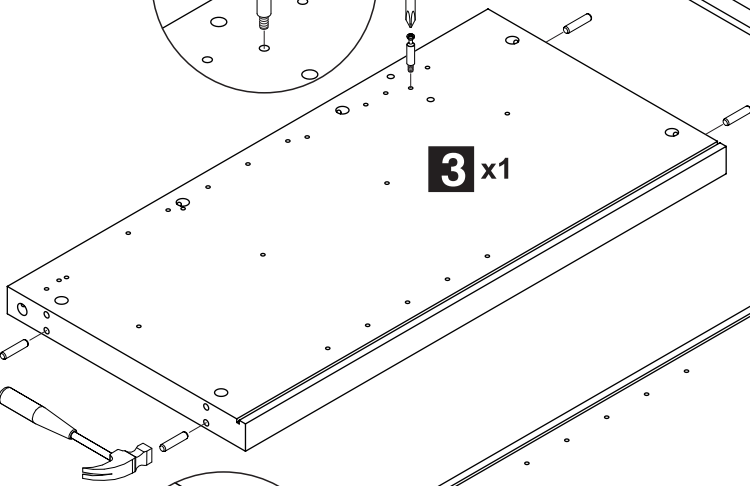
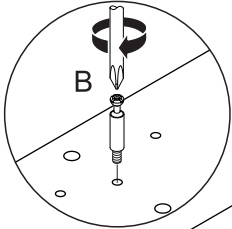
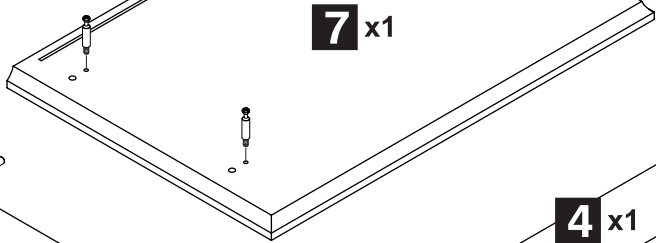
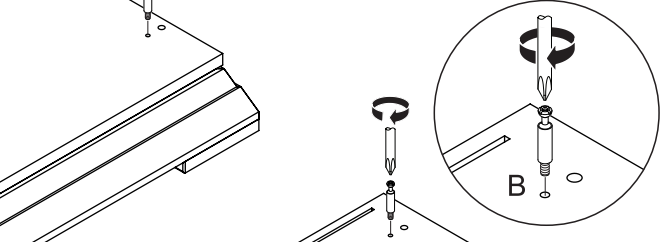
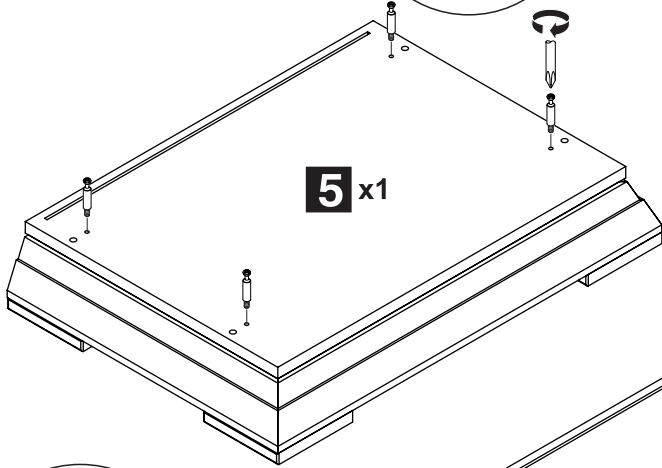
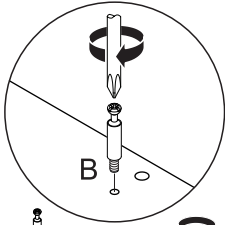
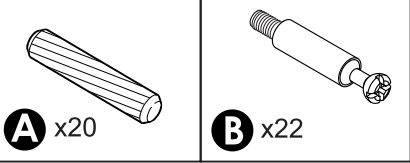


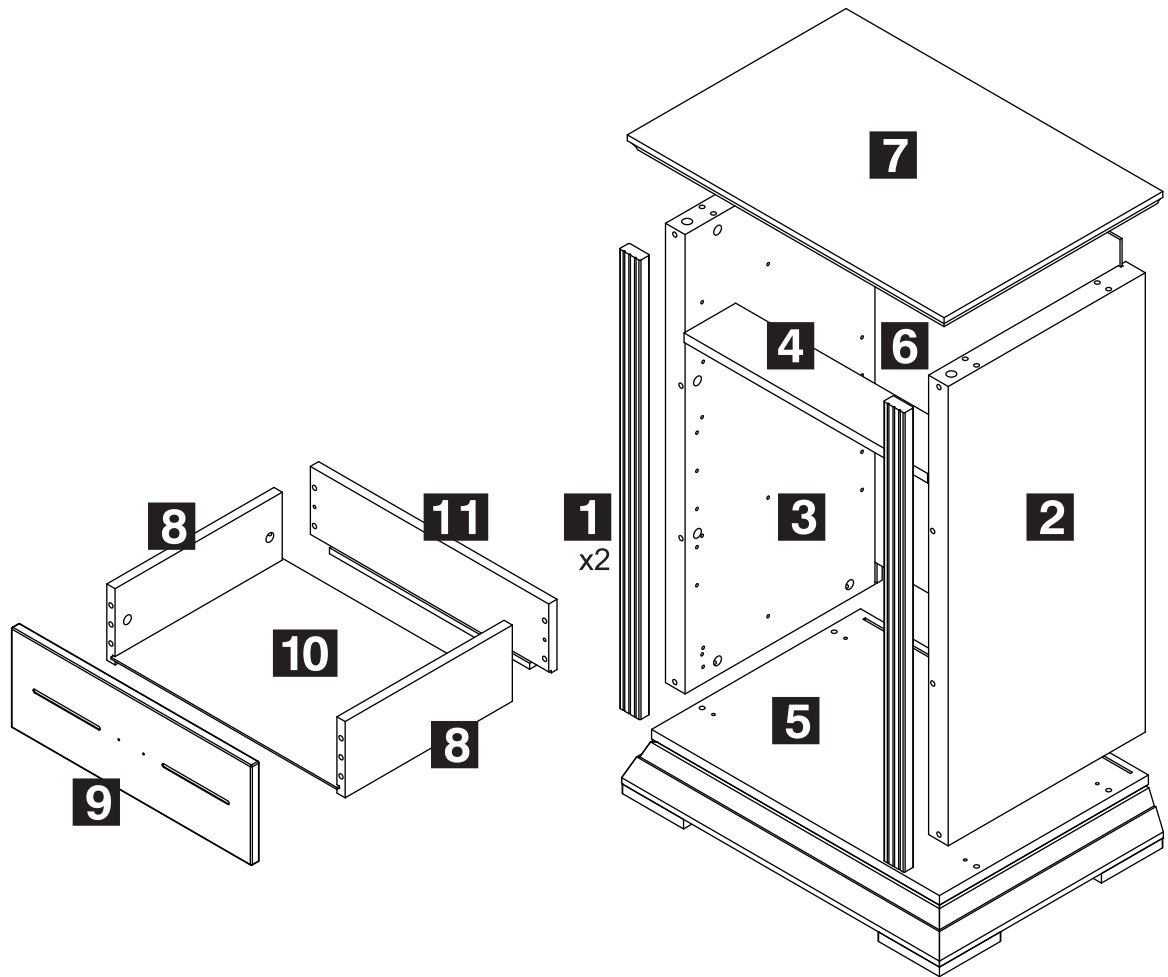
- EE Montaažijuhend
- SE Monteringsanvisningar
- FI Asennusohjeet
- GB Assembly instructions
- D Montageanleitung
- PL Instrukcja montażu
- NL voor de montage Montážní
- CZ návod
- HU Szerelési útmutató
- TR Montaj talimatı
- IT Istruzioni di montaggio
- FR Notice de montage handleiding
- SK Návod na montáž
- RO Instrucțiuni de montaj
- RU Инструкция по монтажу



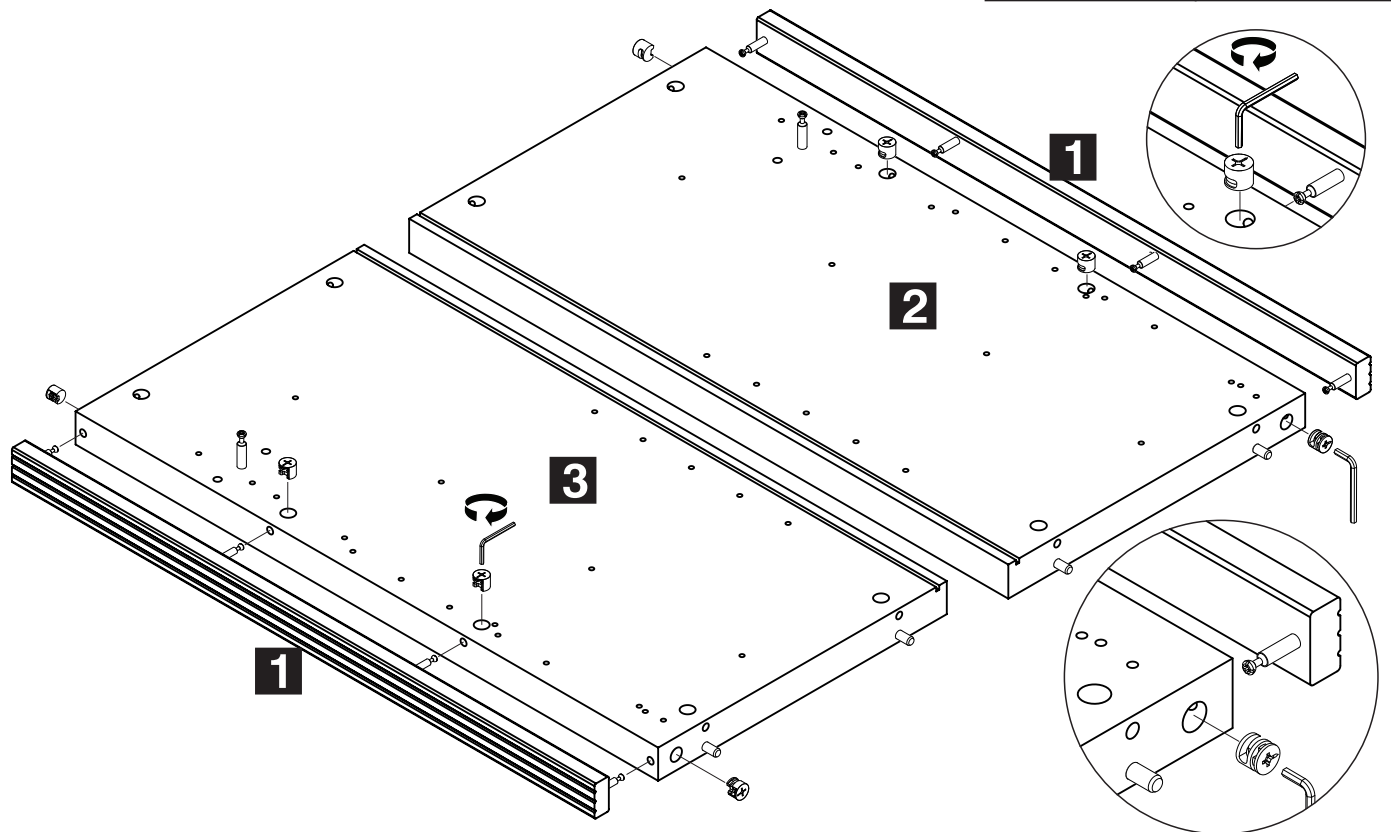
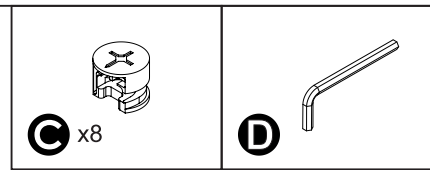
| | | | |
|------------------|------------------|------------------|----------------------|
| A x20 | B x22 | C x22 | D x1 4 mm |
| E x4 | F x1P | G x4 | H x1 |
| | | I x2 | J x8 |

1

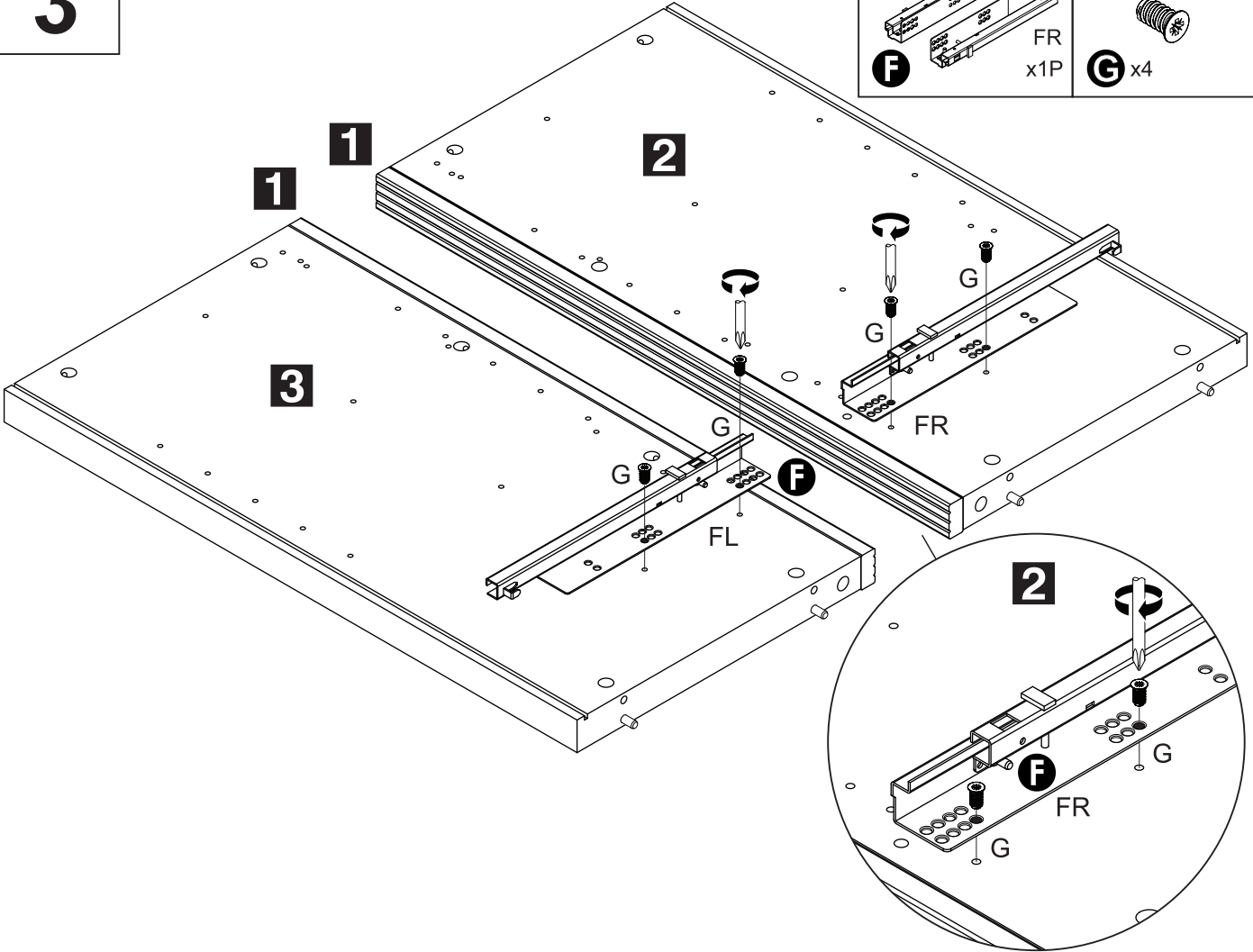
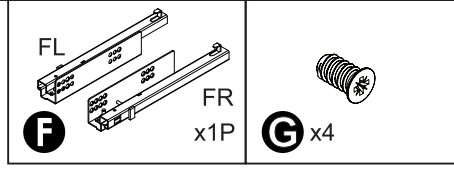




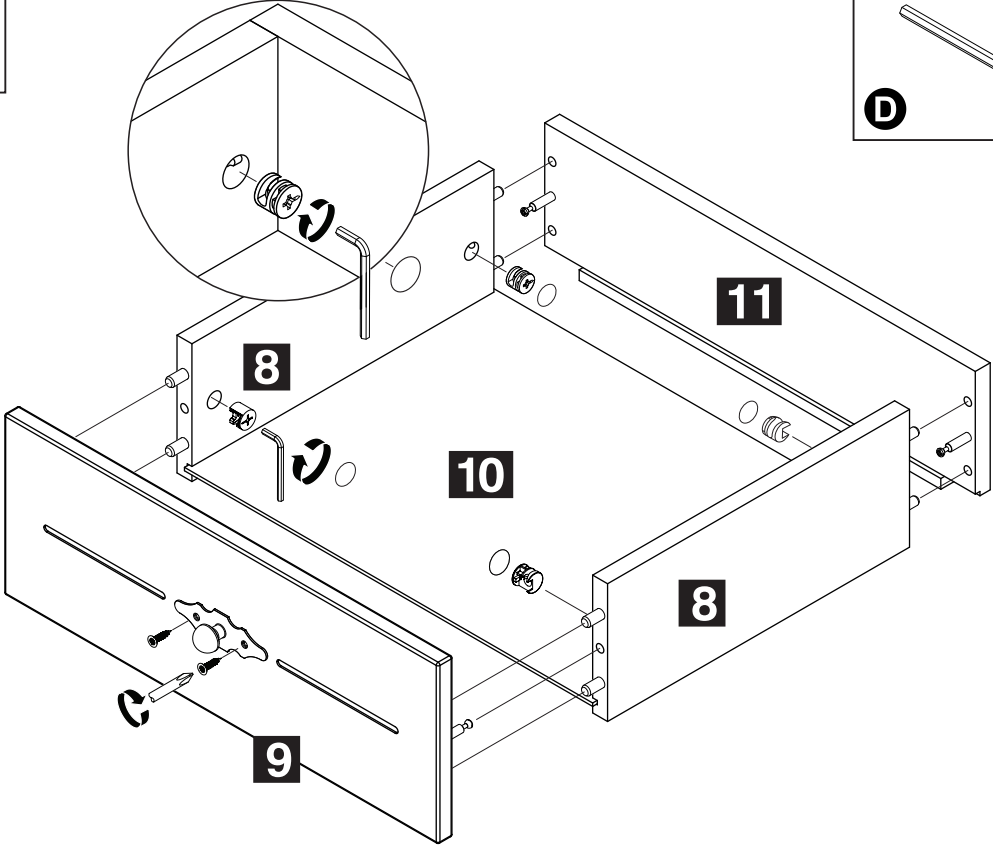
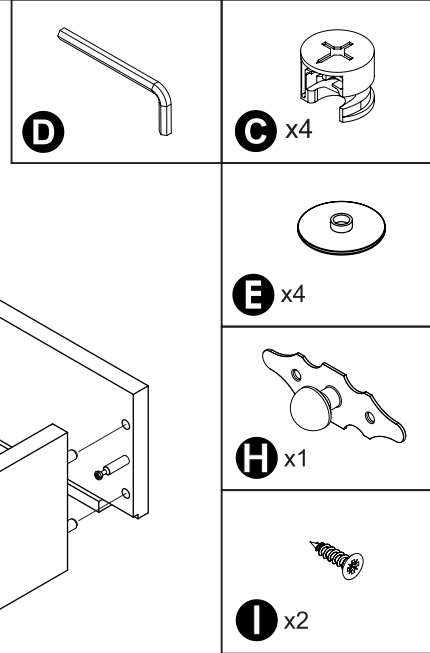
2



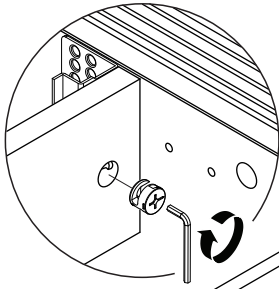
3



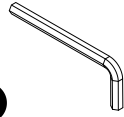
4



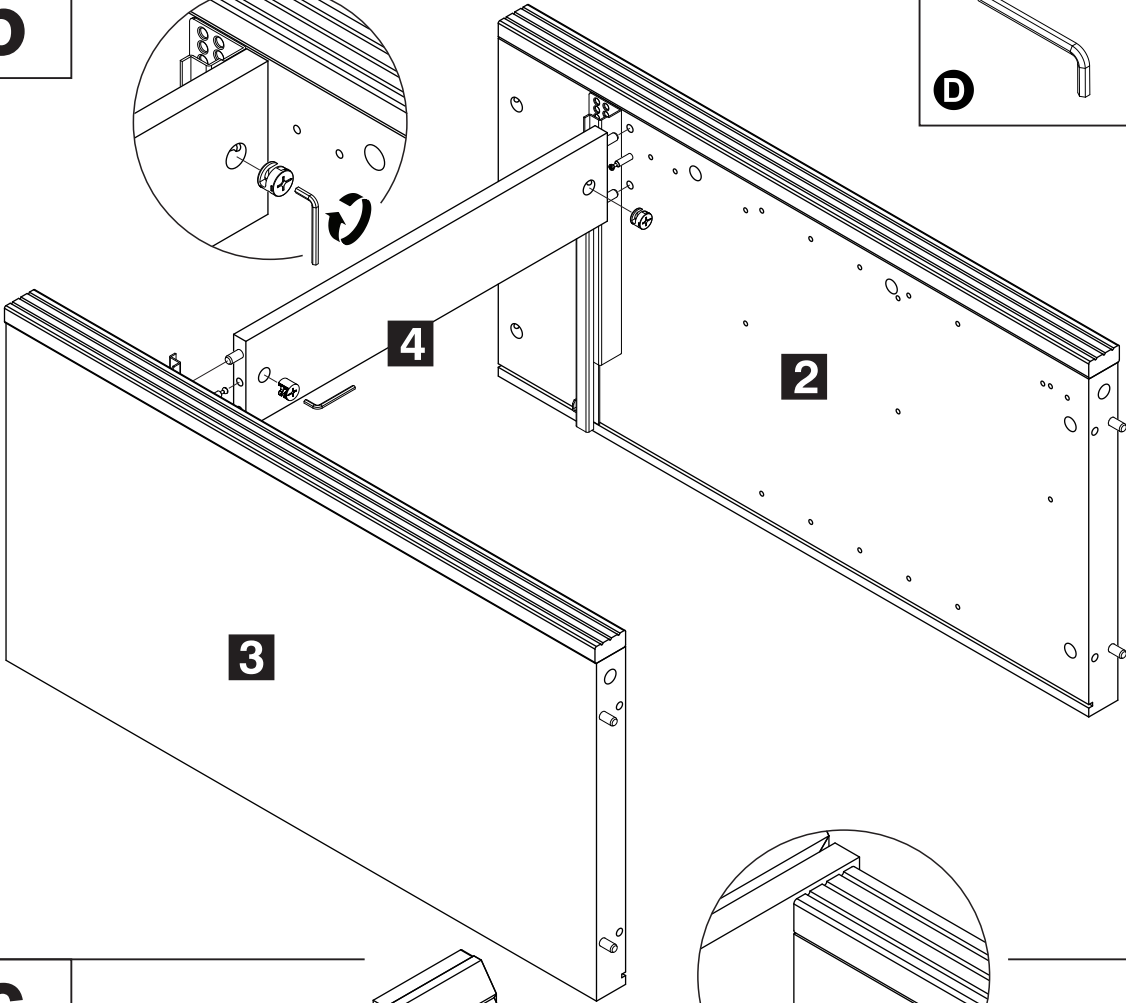
5



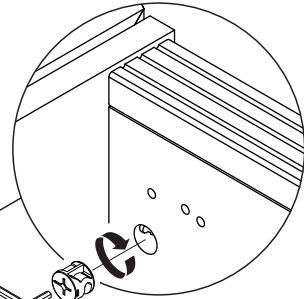
D



C x2



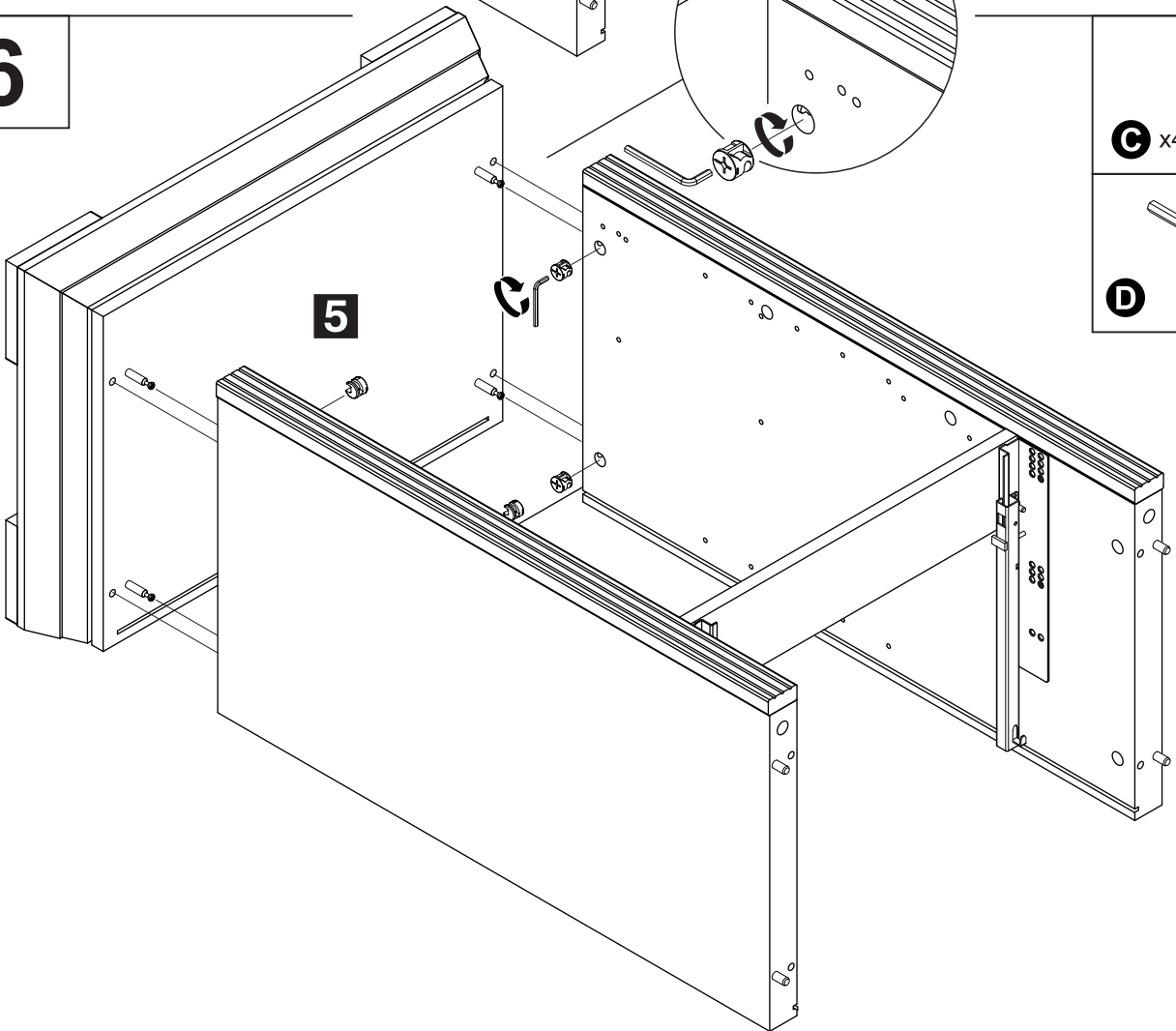
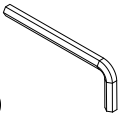
6



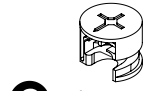
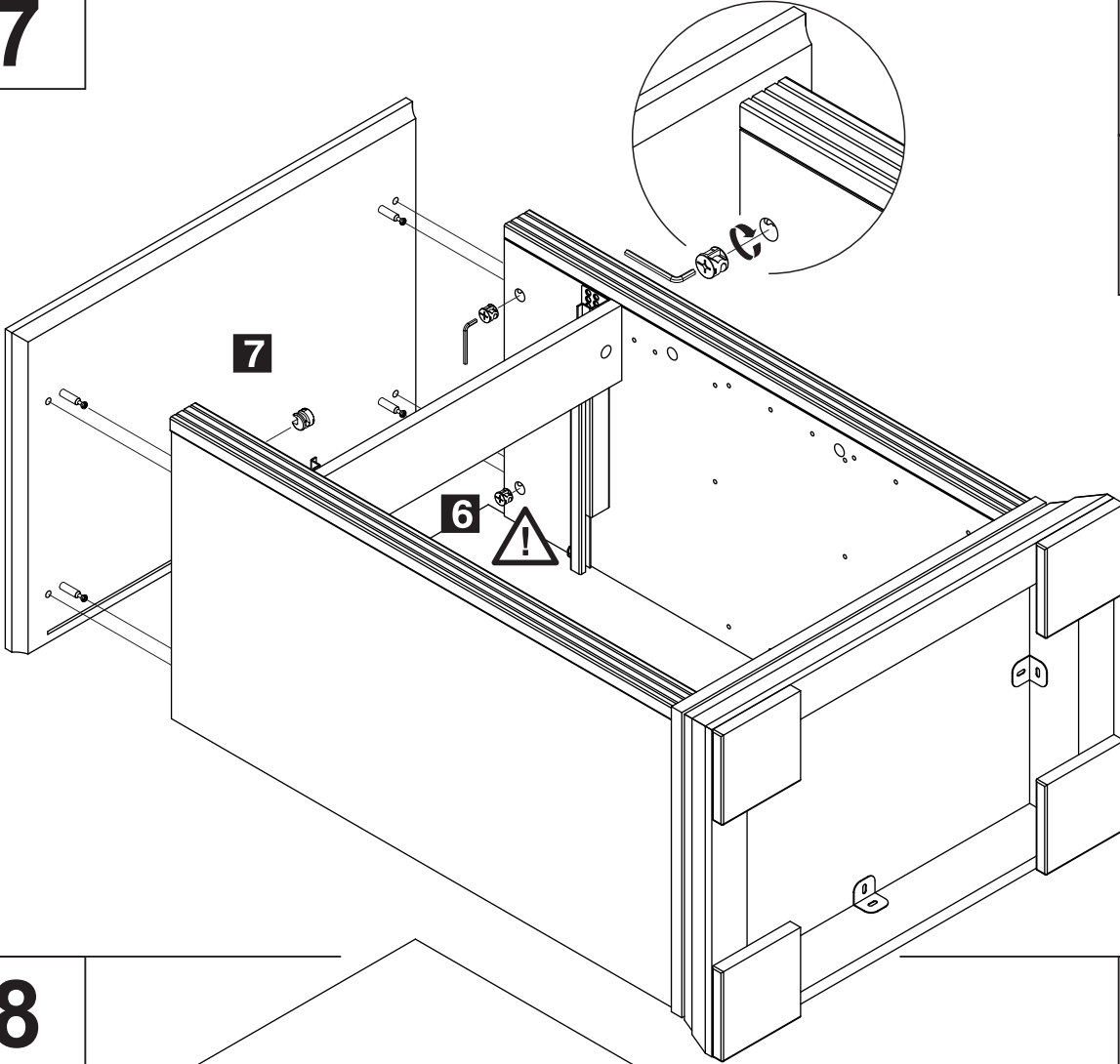
C x4



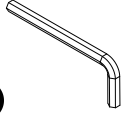
D



7

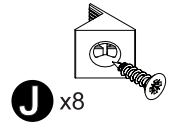
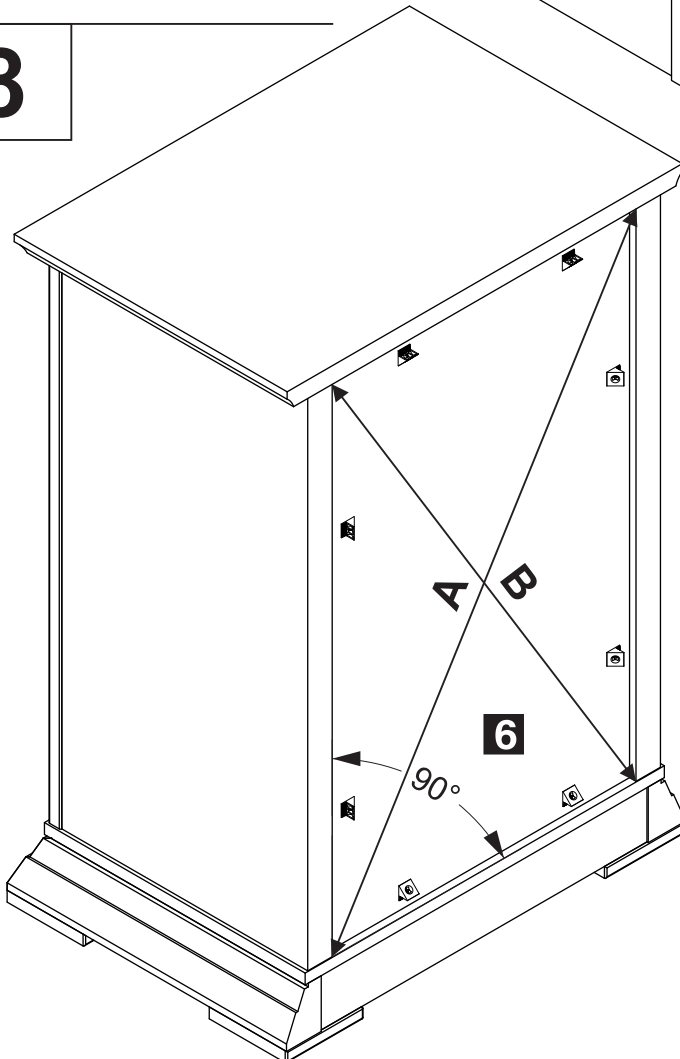


C x4

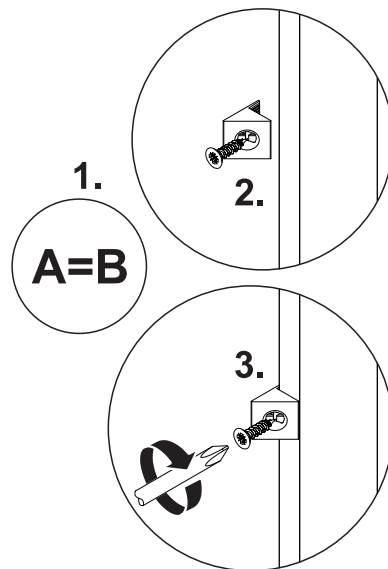


D

8



J x8



1.

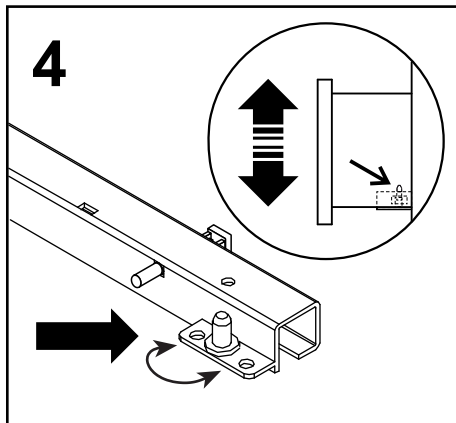
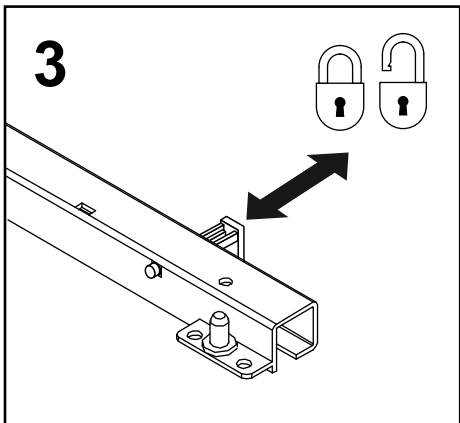
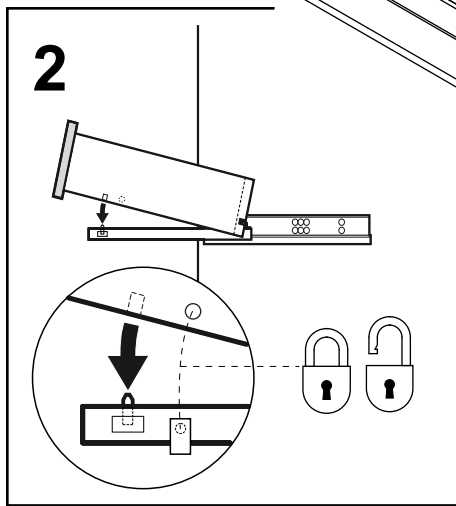
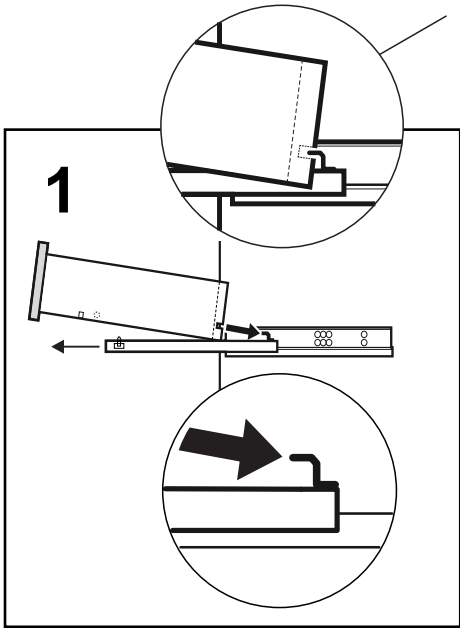
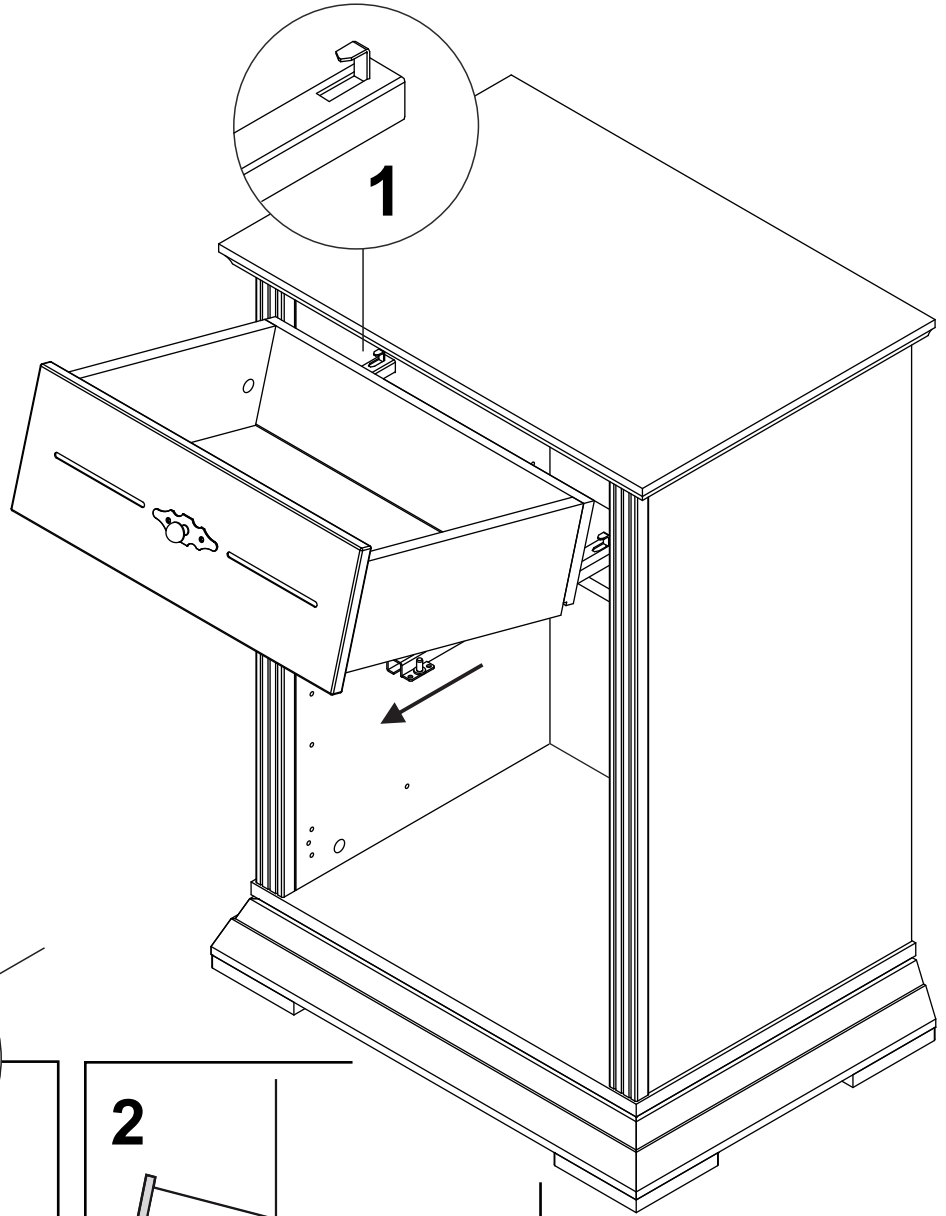
2.

A=B

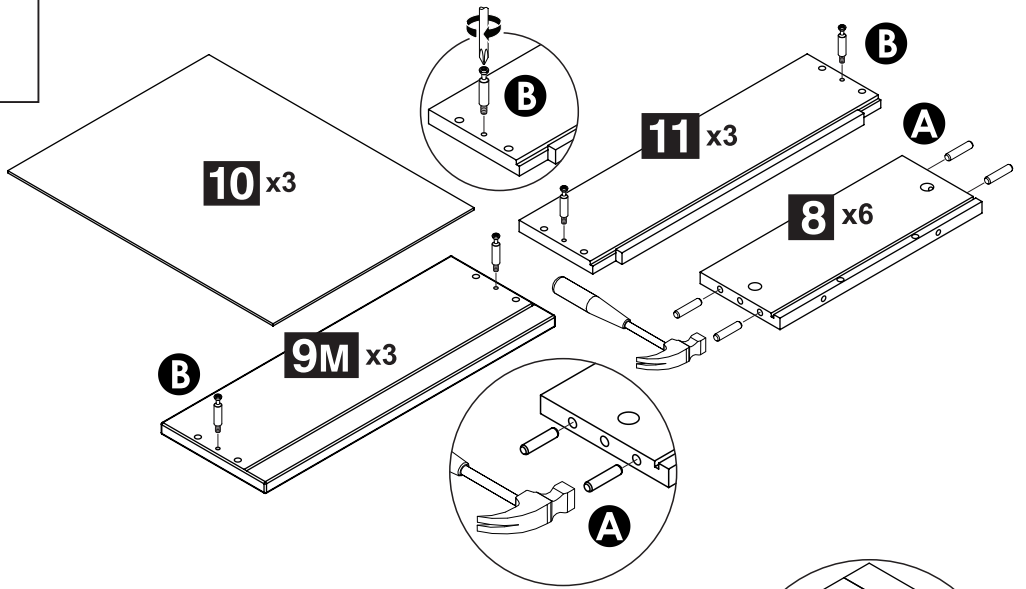
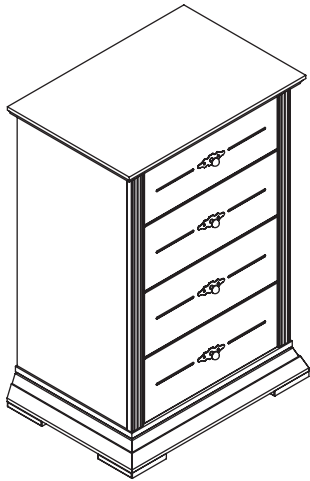
3.

9

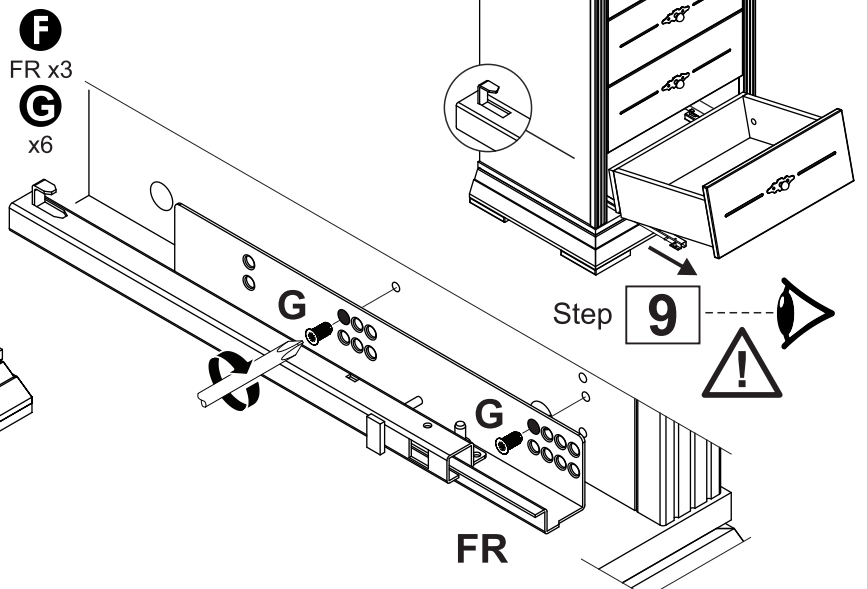
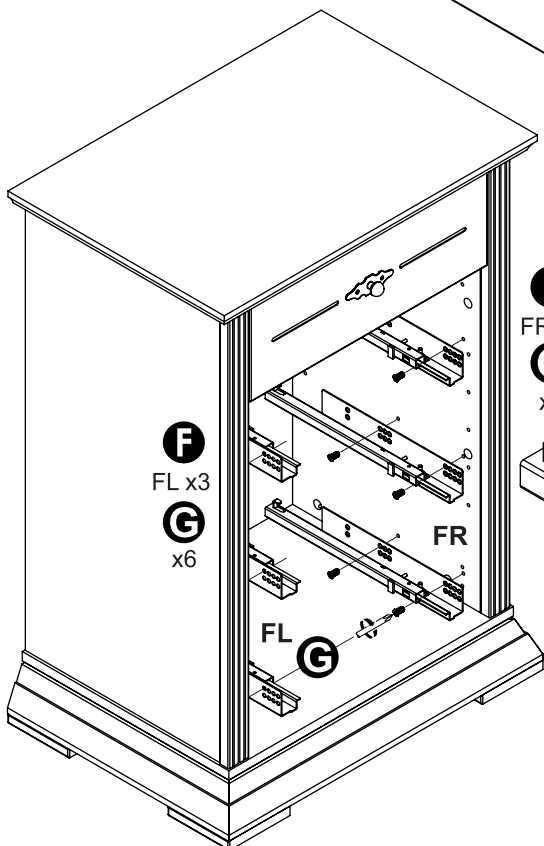
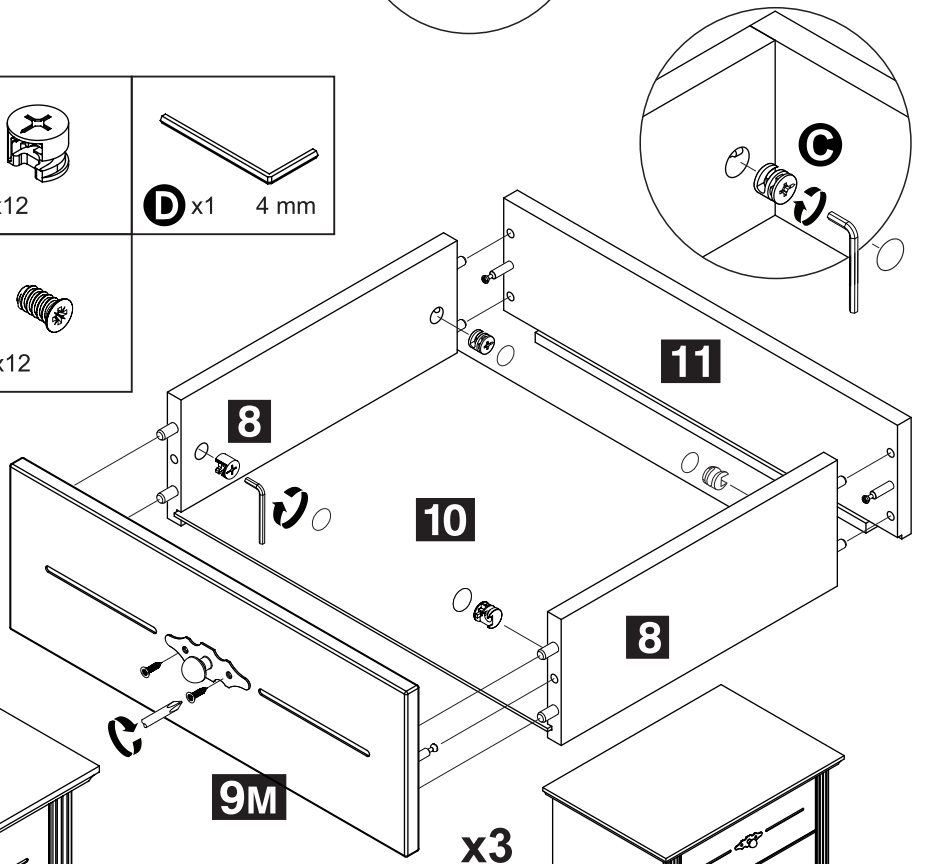
Step



OPTION 1



| | | | |
|--------------|---------------------------|--------------|------------------|
| A x24 | B x12 | C x12 | D x1 4 mm |
| E x12 | F FL x3P FR x3P | G x12 | |
| H x3 | I x6 | | |



OPTION 2

