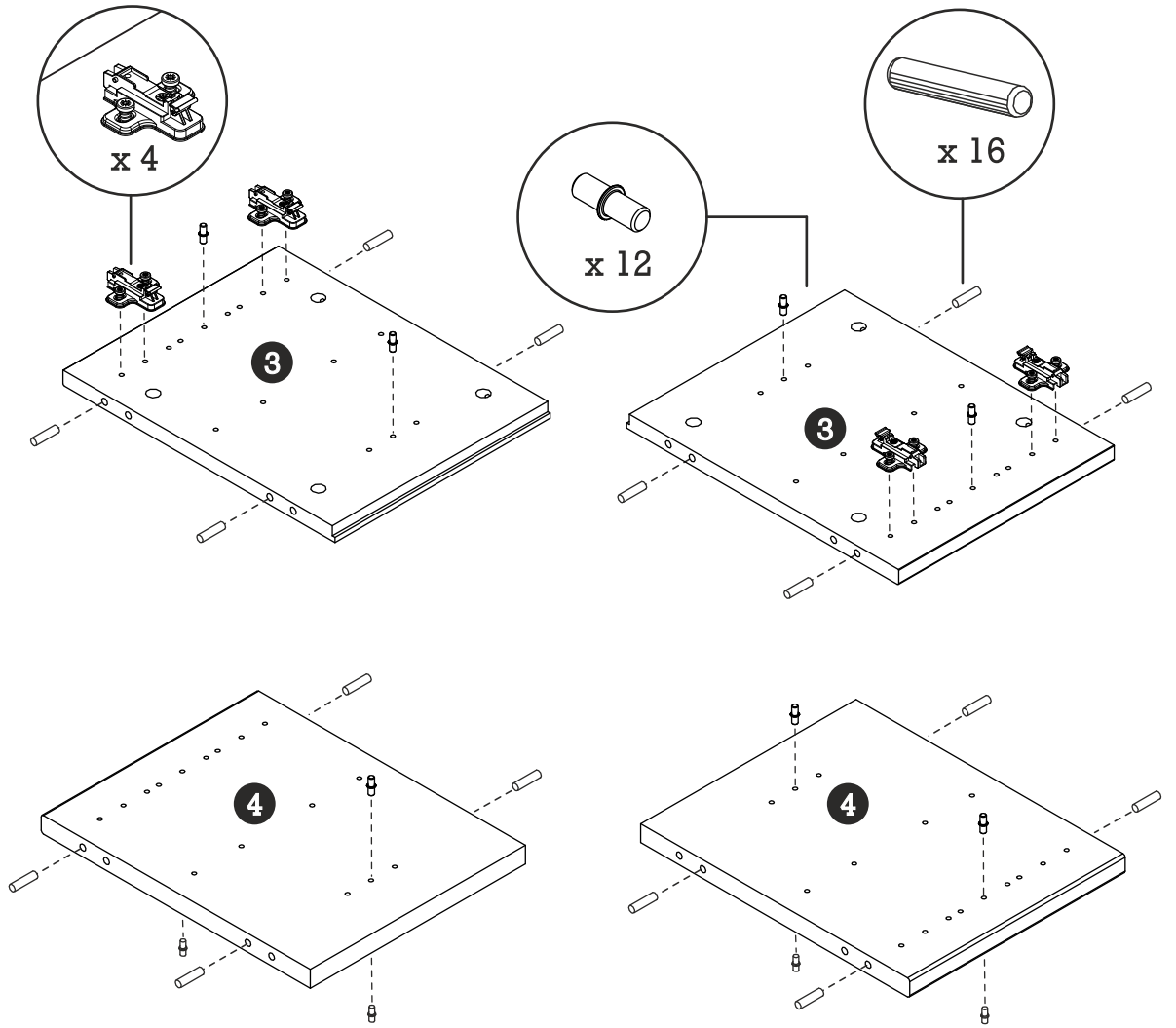
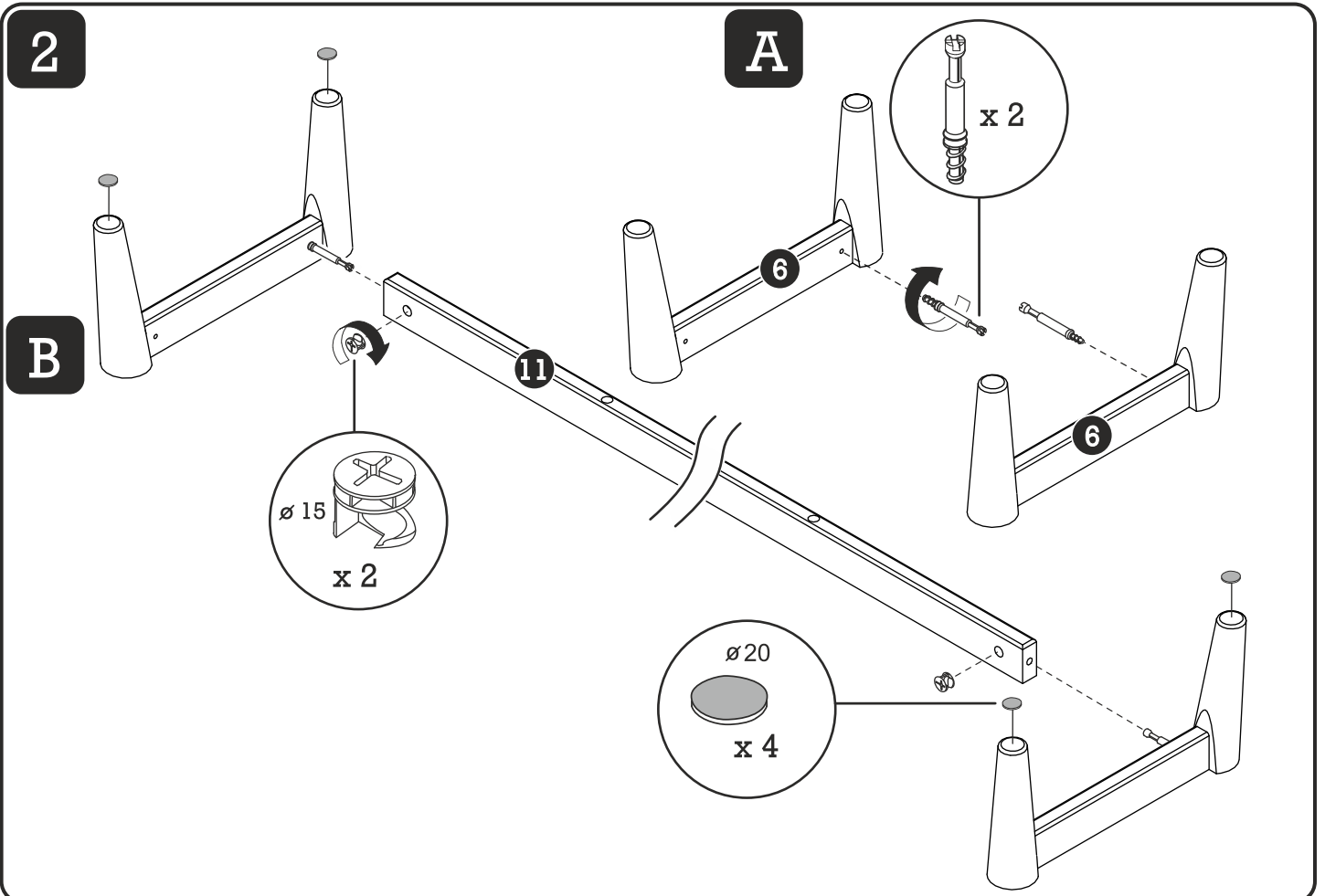


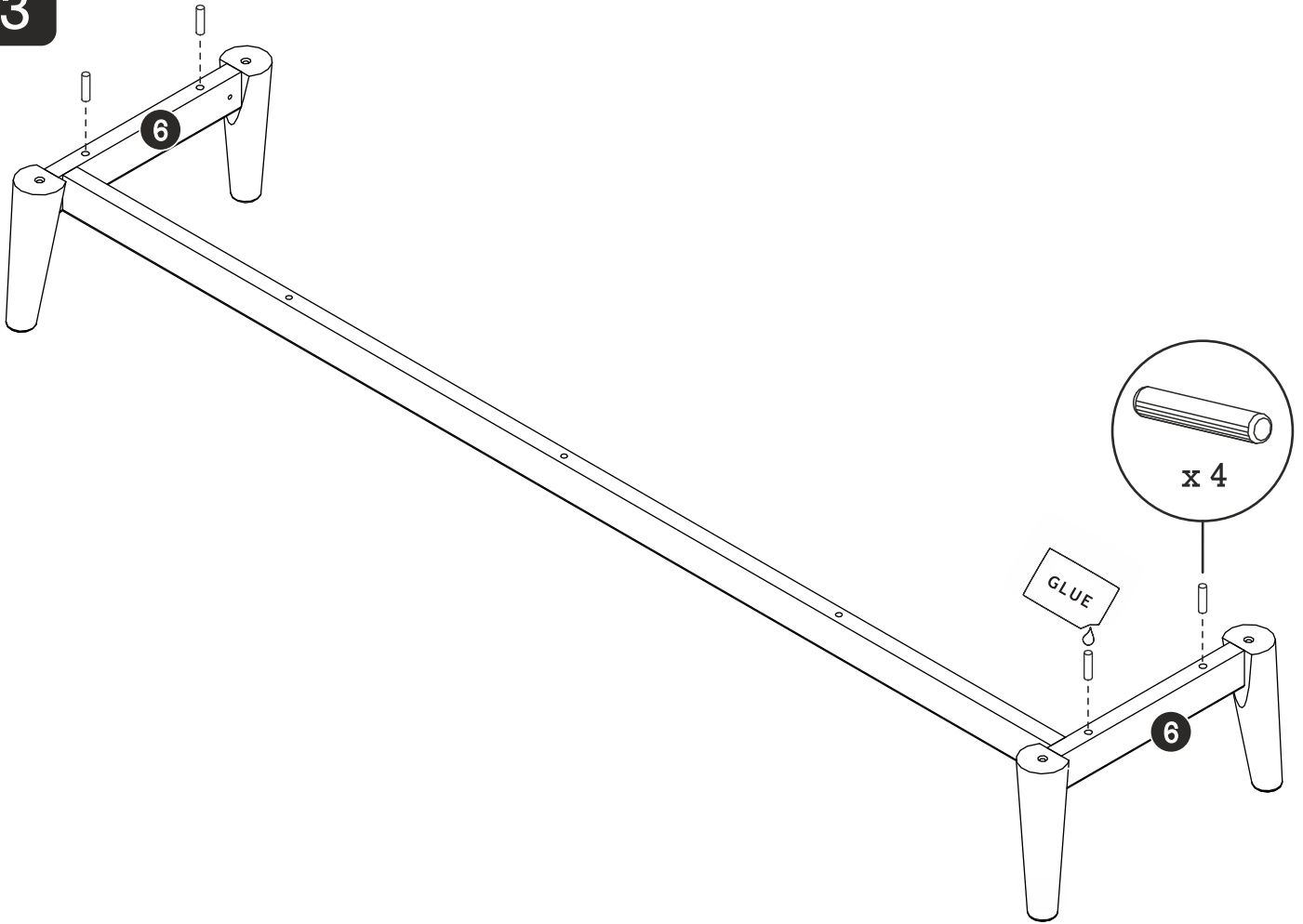
1



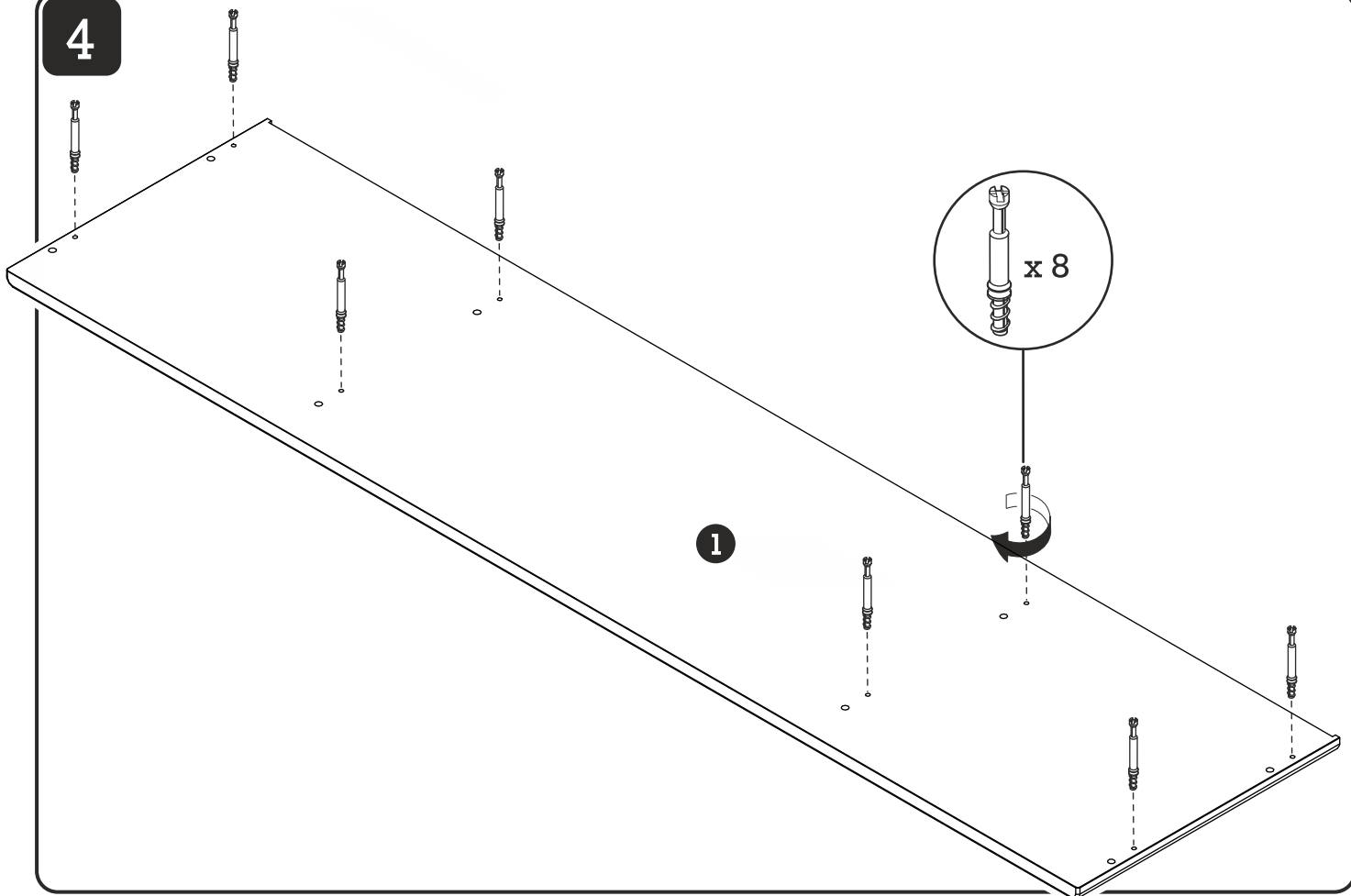
2



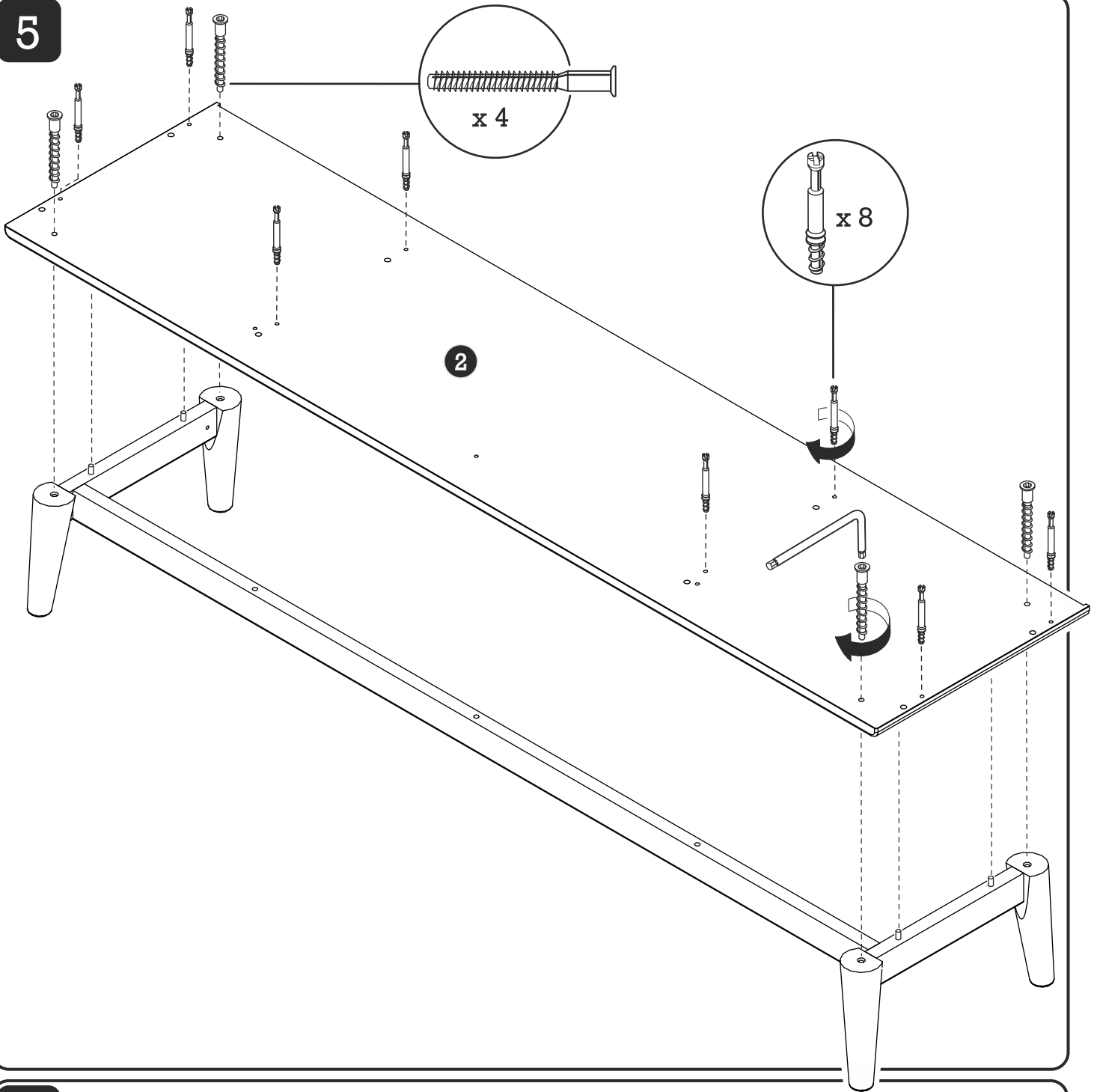
3



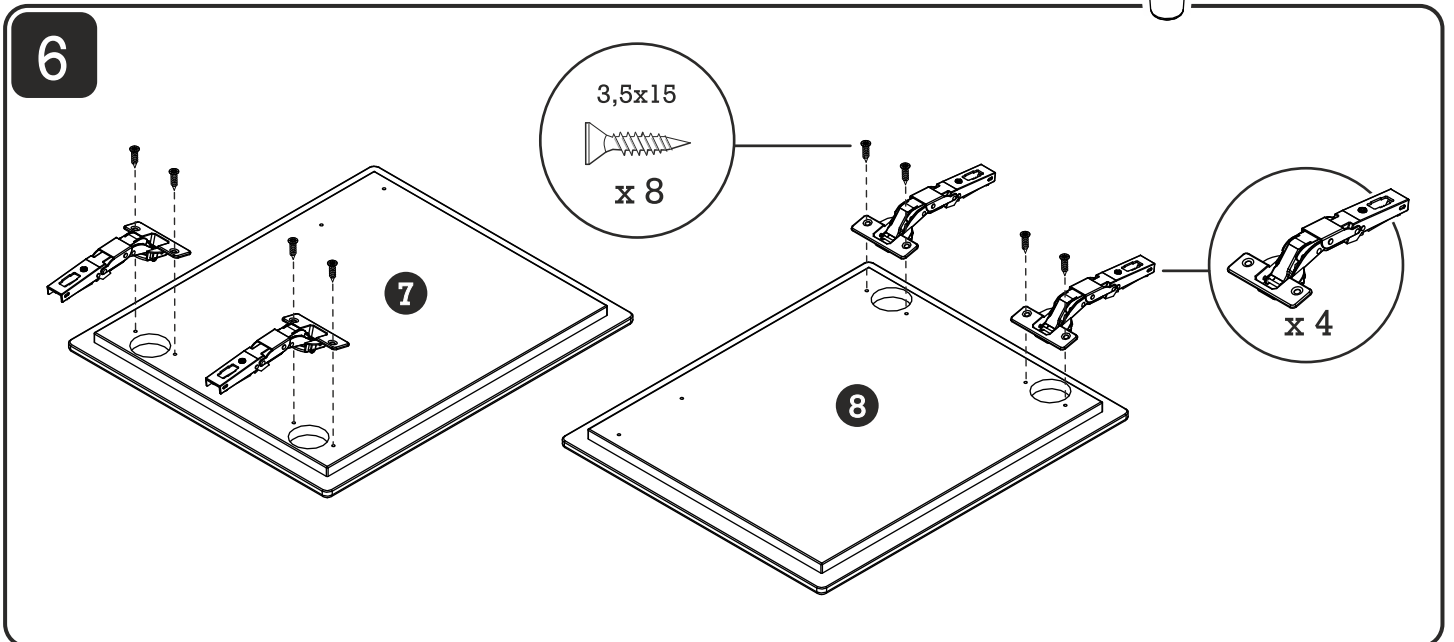
4



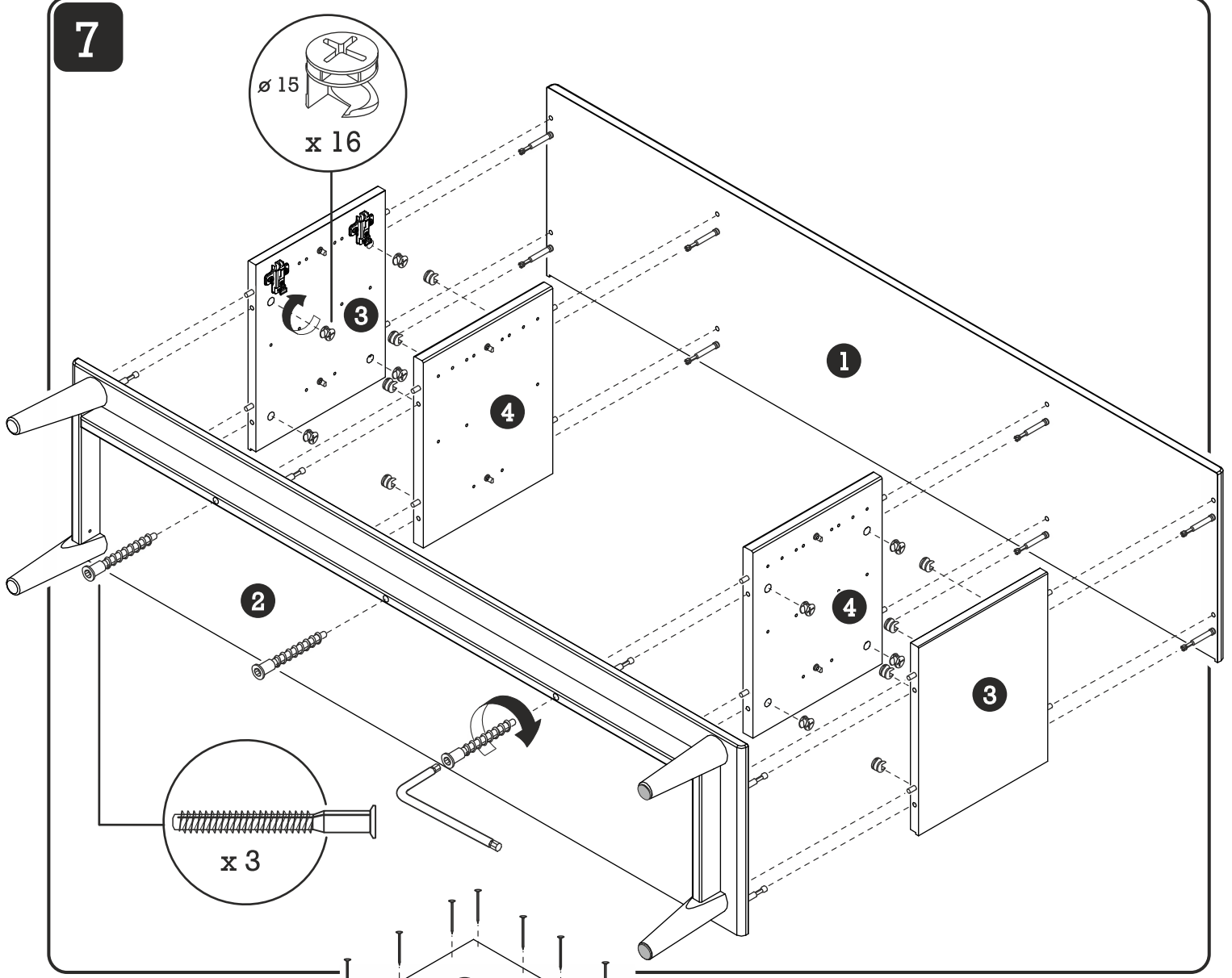
5



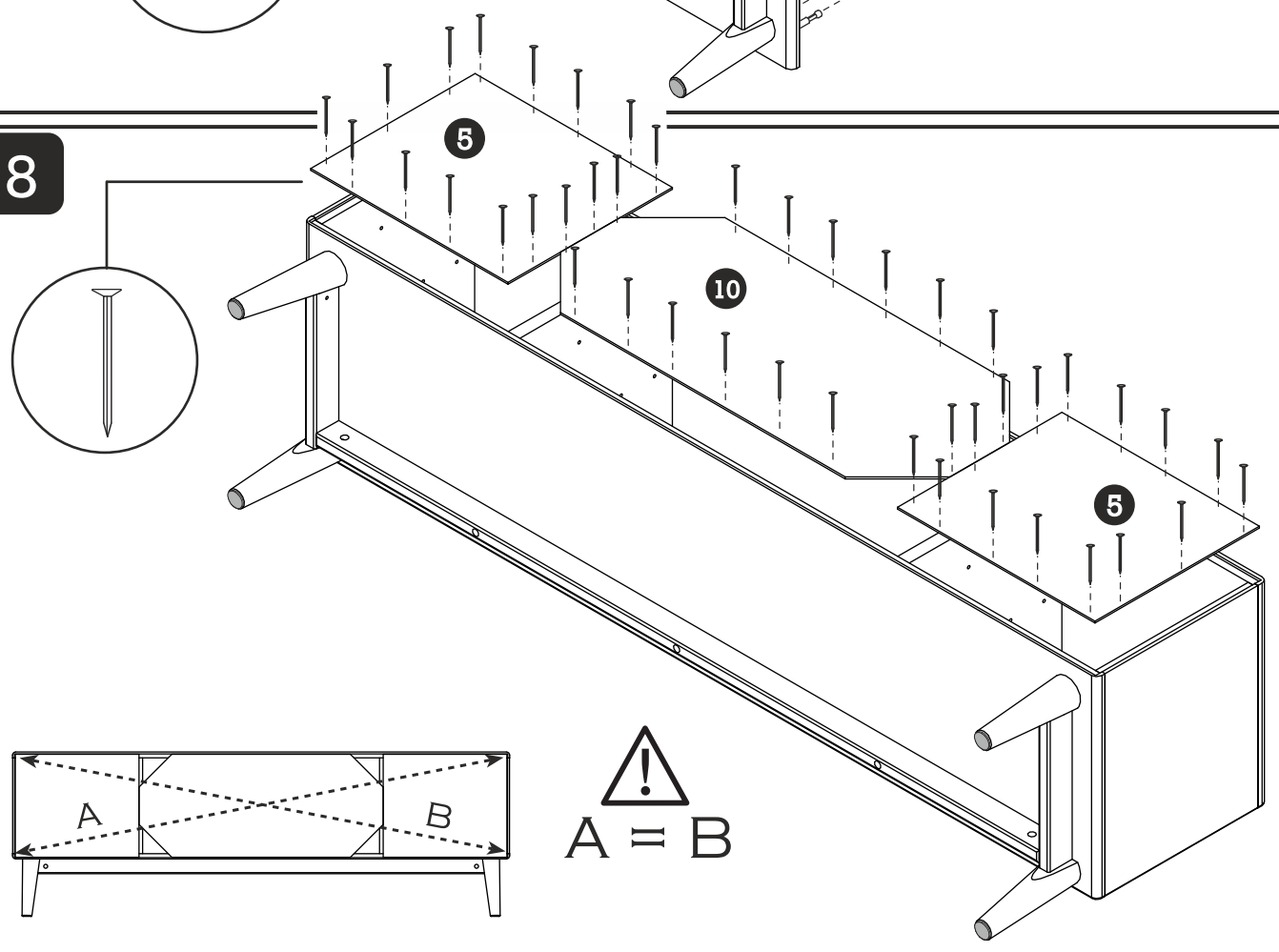
6



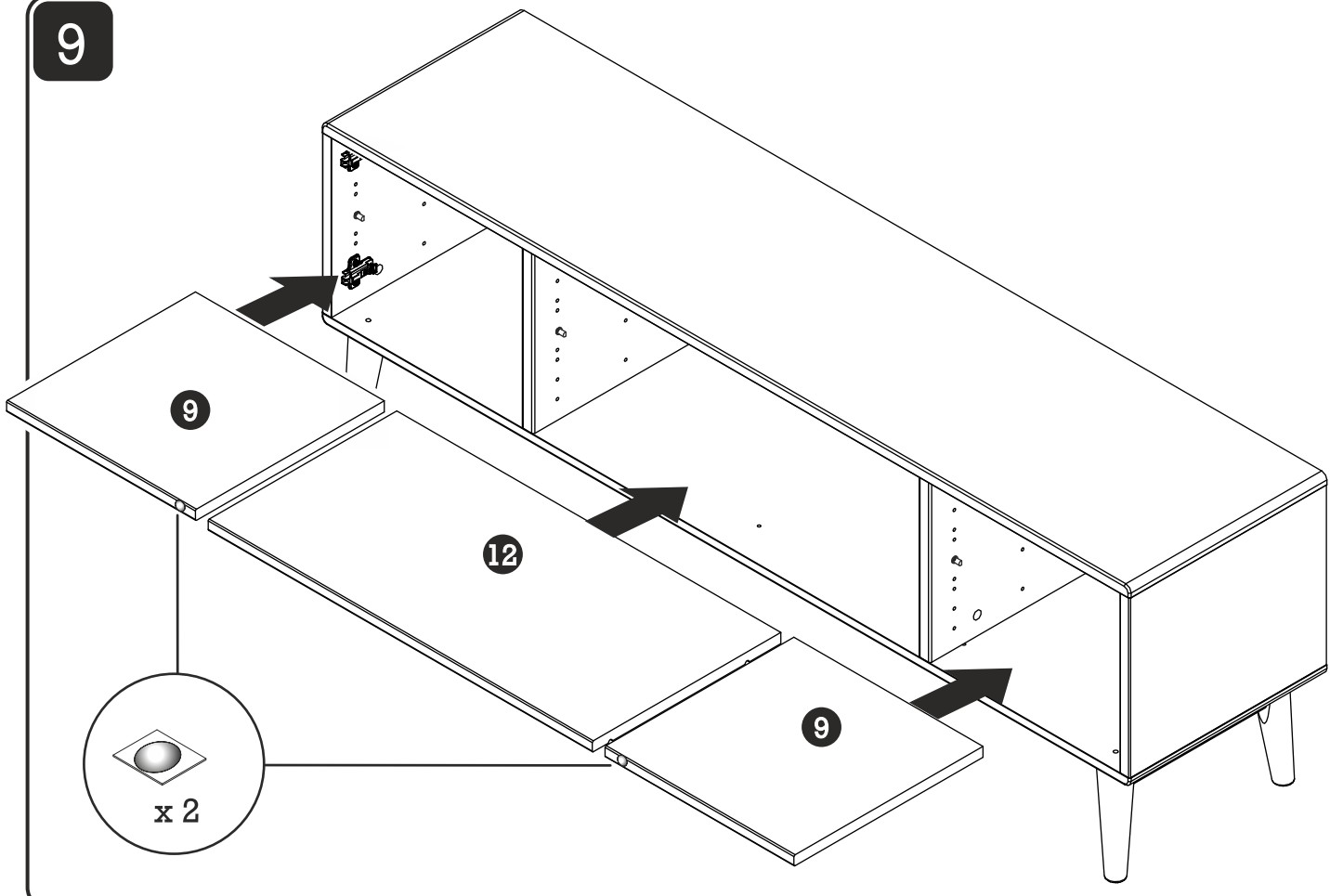
7



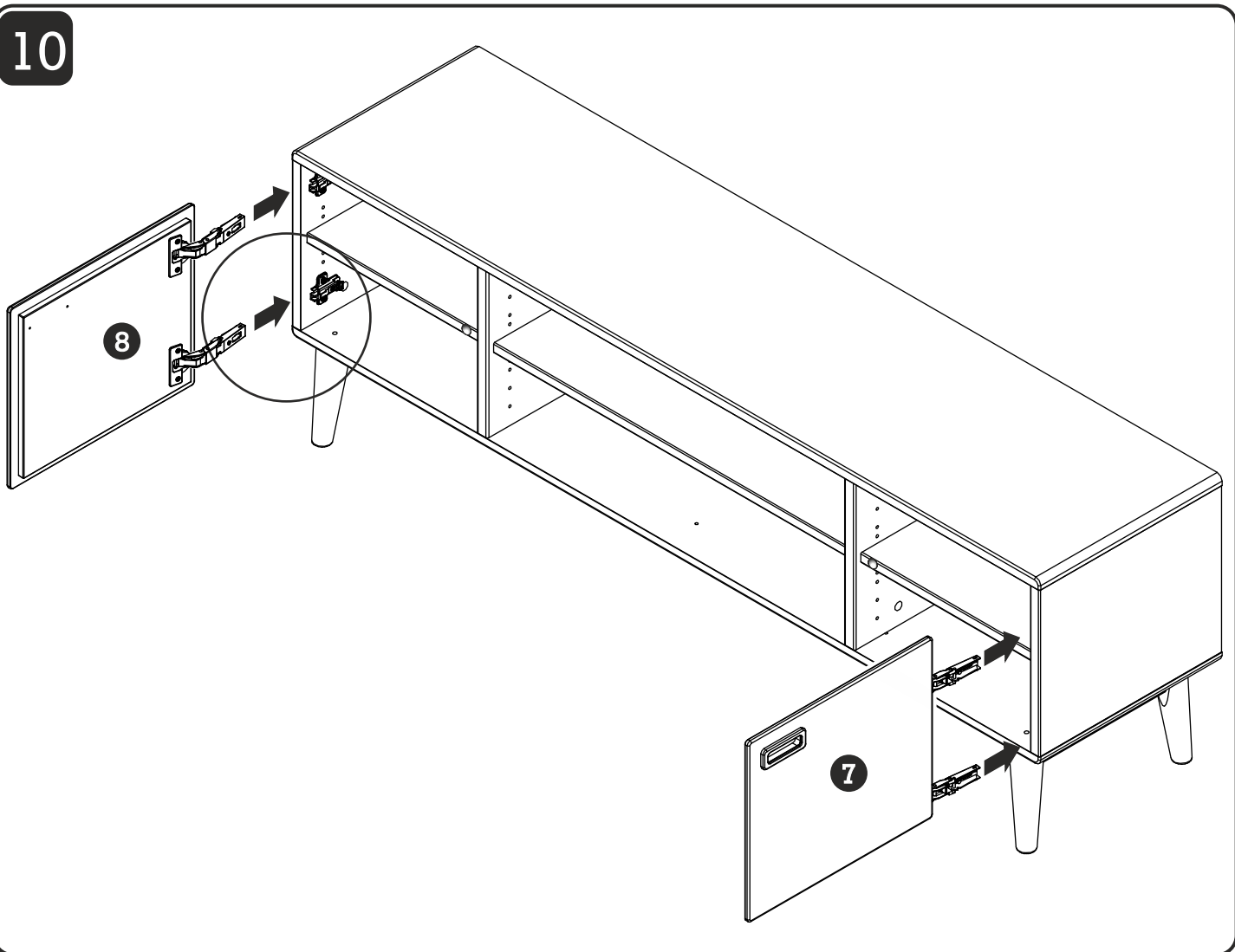
8



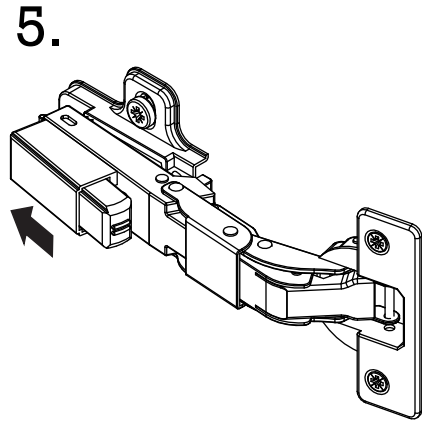
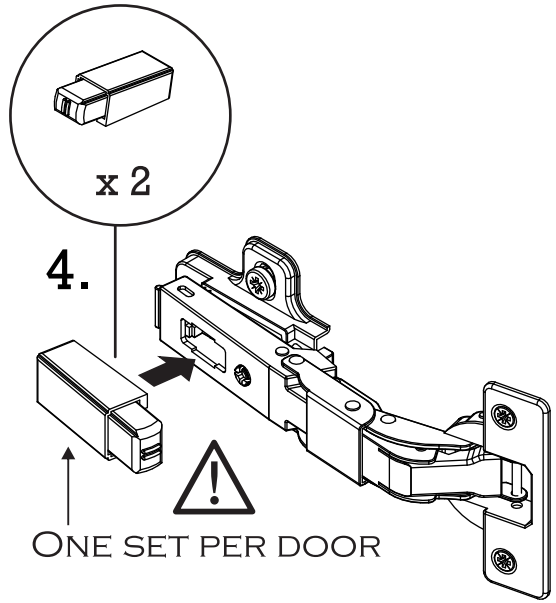
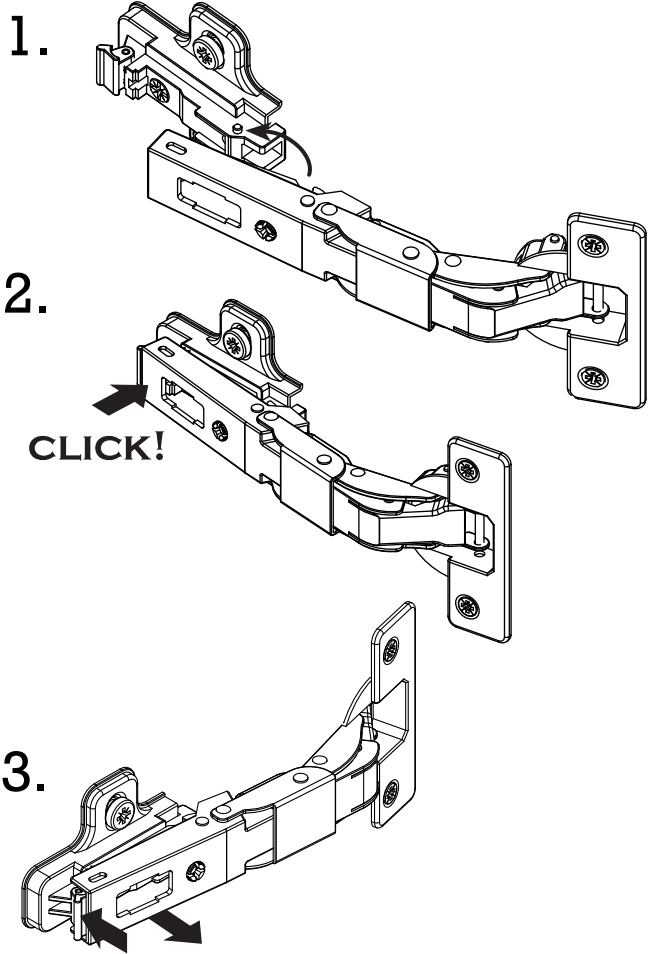
9



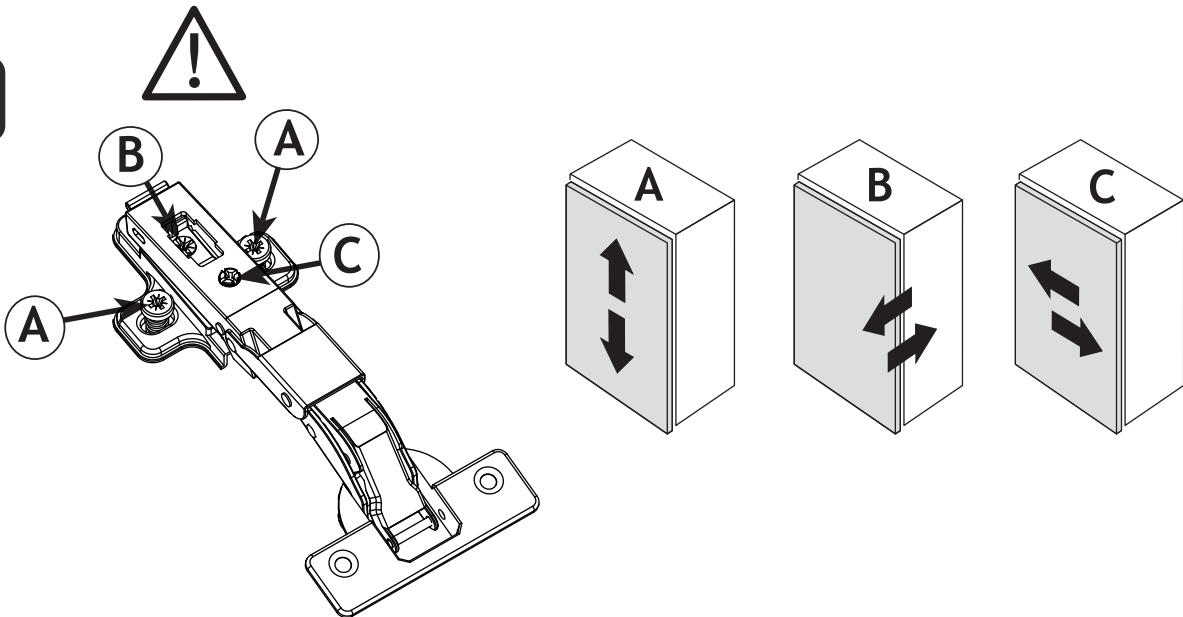
10



11



12





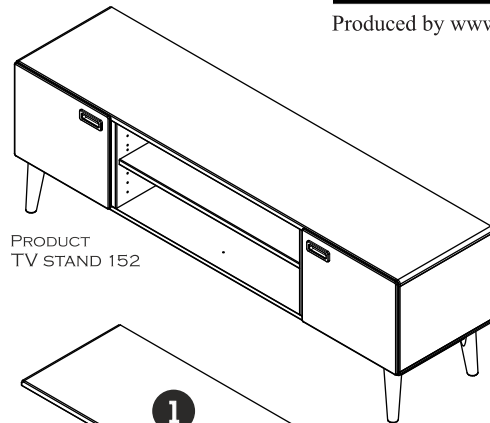
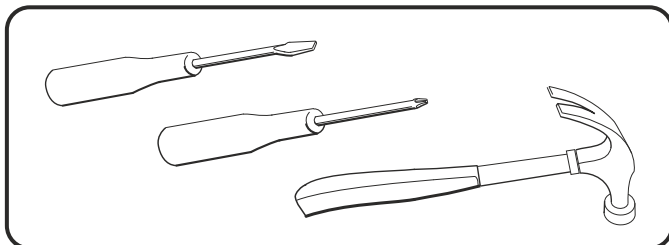
TV STAND

©LAULUMAA HUONEKALUT OY
16022017



Produced by www.wermo.ee

	x 20
	x 18
$\varnothing 15$	x 18
	x 7
$\varnothing 20$ / $\varnothing 13$	x 16 / x 5
	x 2
	x 4 PAIRS
3,5x15	x 8
	x 12
	x 2
	x 1
	x 40
$\varnothing 20$	x 4
	x 1



PRODUCT
TV STAND 152

