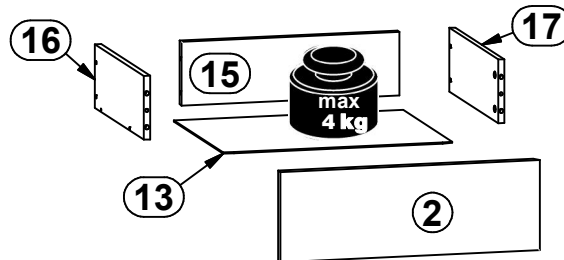
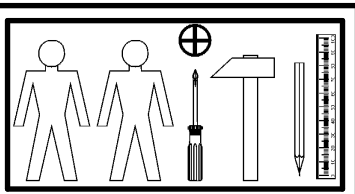
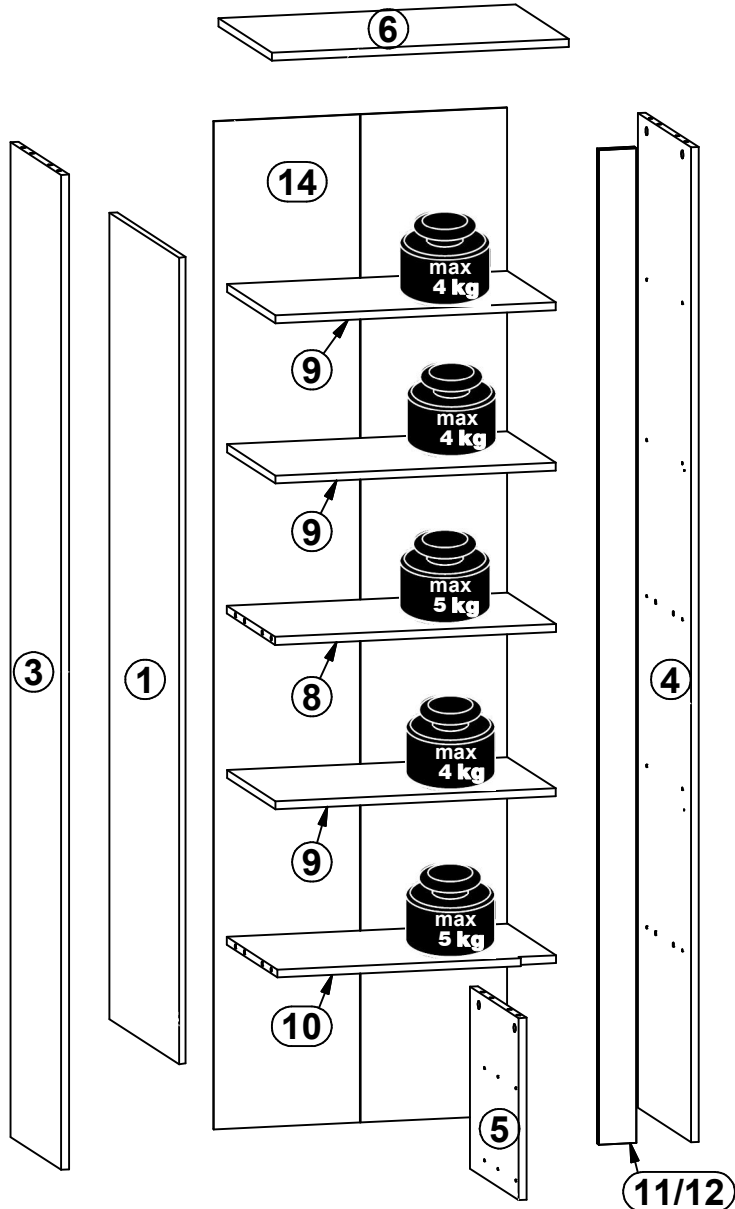
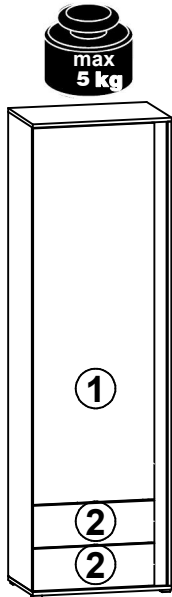


# A

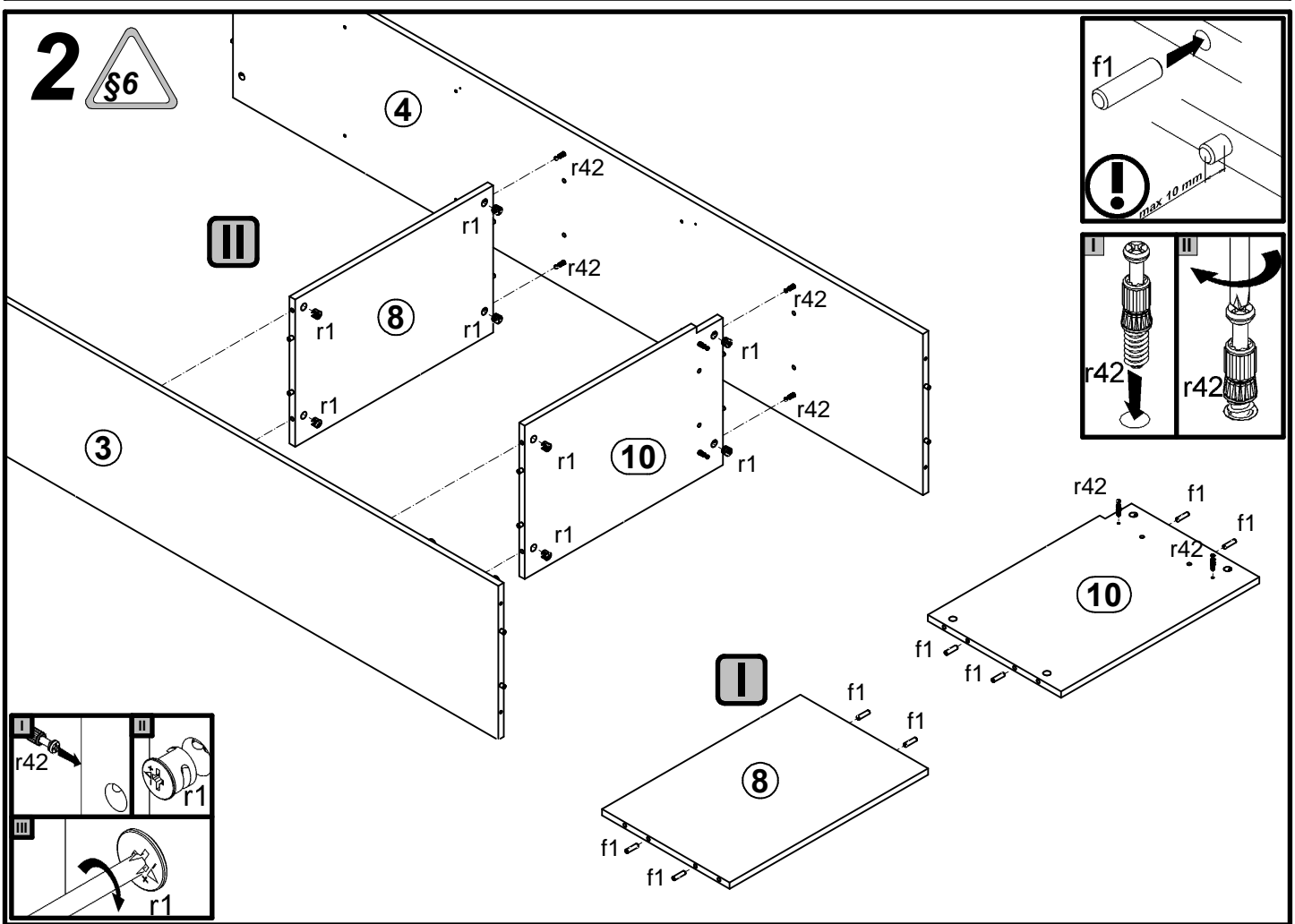
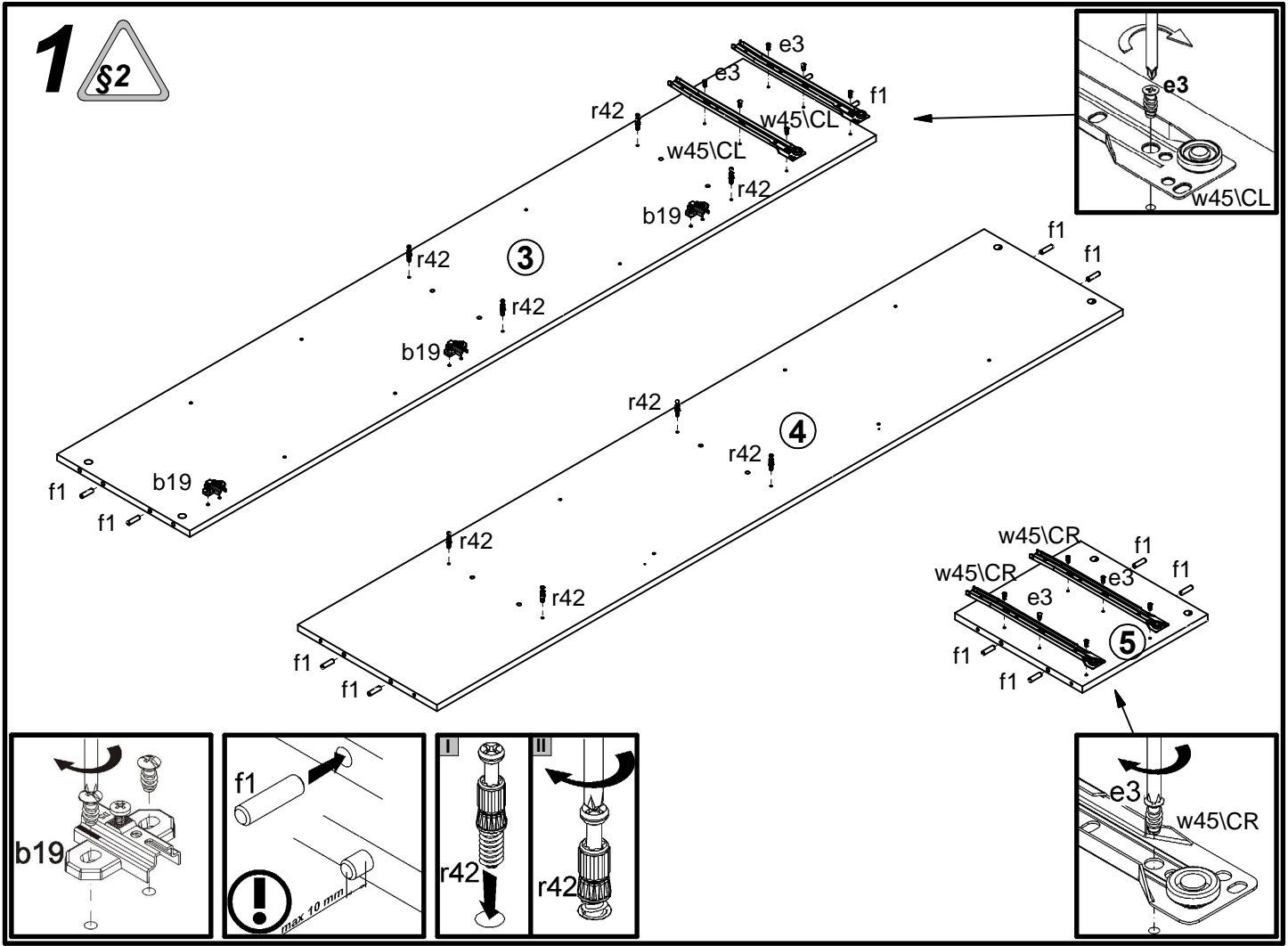
# GRAPHIC

# S343-REG1D2SL/C

| A  | B         | C    | D   |     |
|----|-----------|------|-----|-----|
| 1  | S343-0060 | 1520 | 498 | 3/3 |
| 2  | S343-0061 | 498  | 170 | 2/3 |
| 3  | S343-1020 | 1875 | 363 | 1/3 |
| 4  | S343-1021 | 1875 | 380 | 1/3 |
| 5  | S343-1022 | 343  | 348 | 1/3 |
| 6  | S343-2012 | 570  | 380 | 1/3 |
| 7  | S343-2019 | 570  | 380 | 1/3 |
| 8  | S343-3004 | 539  | 347 | 1/3 |
| 9  | S343-3005 | 538  | 347 | 1/3 |
| 10 | S343-3008 | 539  | 362 | 1/3 |
| 11 | S343-4007 | 1875 | 72  | 1/3 |
| 12 | S343-4011 | 1875 | 72  | 1/3 |
| 13 | S343-9006 | 440  | 357 | 1/3 |
| 14 | S343-9308 | 1900 | 563 | 1/3 |
| 15 | ZS3-5561  | 418  | 120 | 1/3 |
| 16 | ZS4-501   | 350  | 120 | 1/3 |
| 17 | ZS4-502   | 350  | 120 | 1/3 |

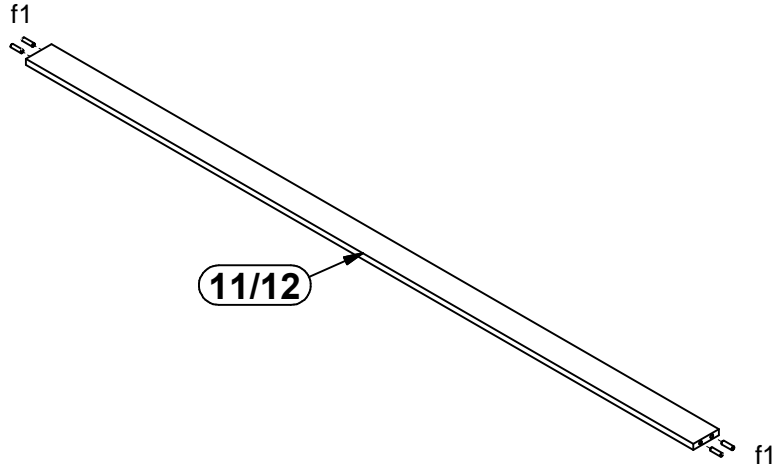
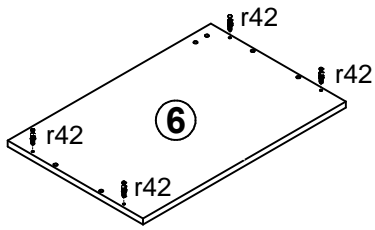


|                           |         |                     |                    |                      |                      |                      |                      |                          |
|---------------------------|---------|---------------------|--------------------|----------------------|----------------------|----------------------|----------------------|--------------------------|
| 3x<br>                    | 3x<br>  | 12x<br><br>Ø5x17 mm | 6x<br><br>φ7x50 mm | 8x<br><br>Ø5x9 mm    | 12x<br><br>Ø6x13 mm  | 24x<br><br>φ8x30 mm  | 8x<br><br>Ø6.5x40 mm | 4x<br><br>Ø6x30 mm       |
| 4x<br>                    | 60x<br> | 2x<br><br>25x25x16½ | 6x<br><br>silikon  | 8x<br><br>φ3.5x16 mm | 6x<br><br>Ø3.5x15 mm | 4x<br><br>Ø3.5x20 mm | 4x<br><br>Ø4x13 mm   | 14x<br><br>Ø15x12 mm #16 |
| 8x<br><br>Ø12x10.5 mm #12 | 22x<br> | 2x<br><br>350 mm    | 2x<br><br>350 mm   | 2x<br><br>350 mm     | 2x<br><br>350 mm     | 1x<br>               | 1x<br><br>φ3.5x16 mm | 4x<br><br>Ø16            |
| 1x<br>                    |         |                     |                    |                      |                      |                      |                      |                          |

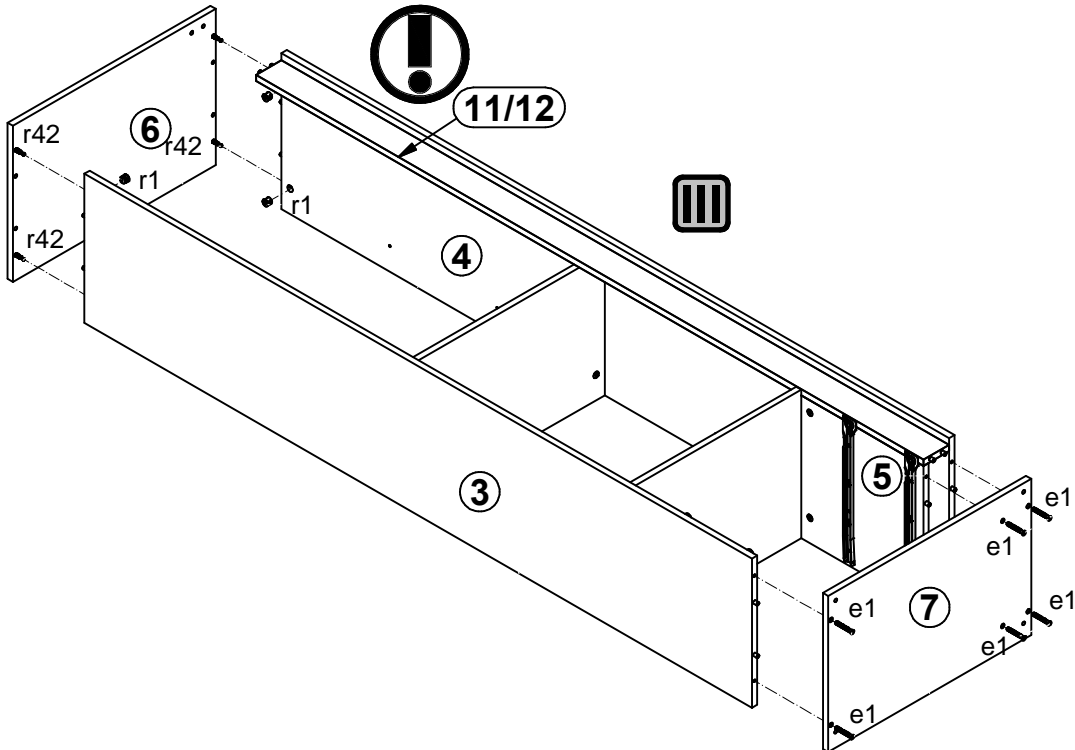
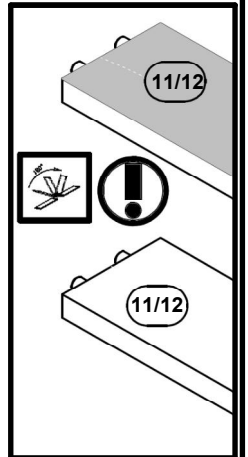
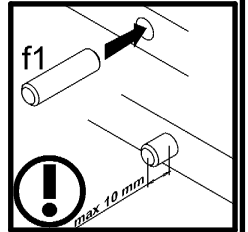
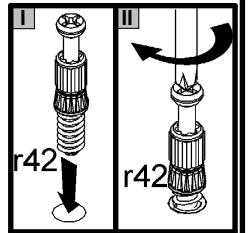
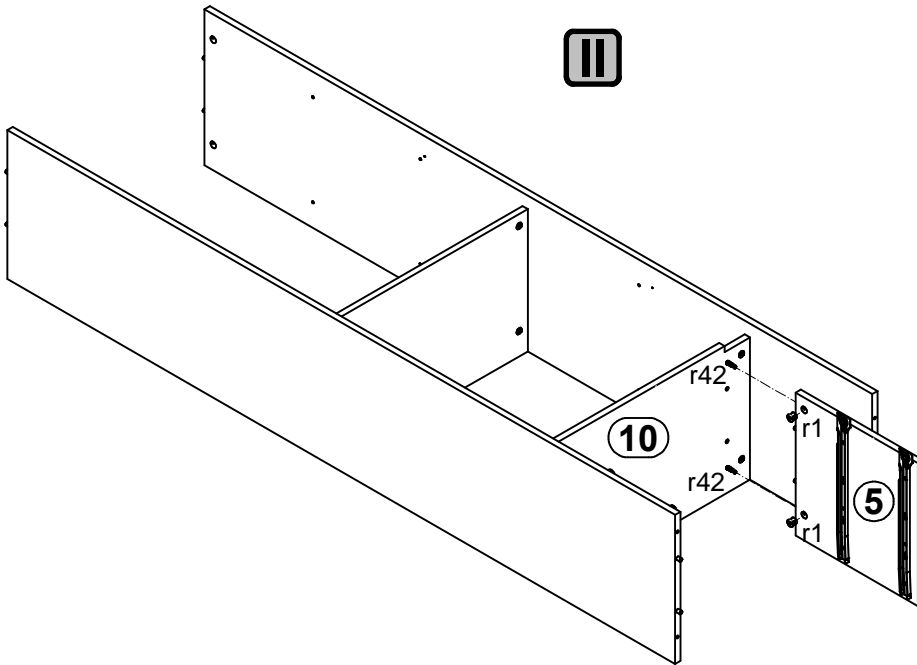


# 3

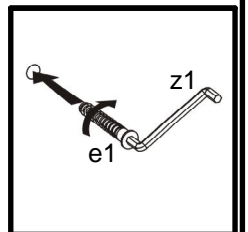
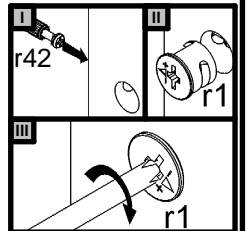
## I



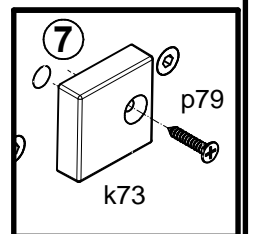
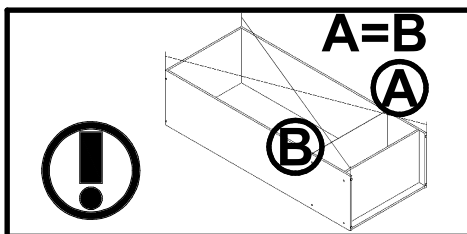
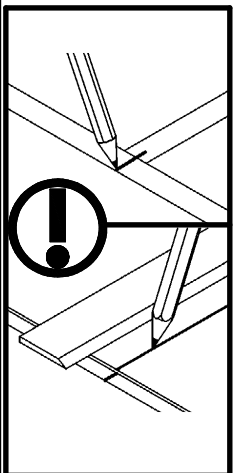
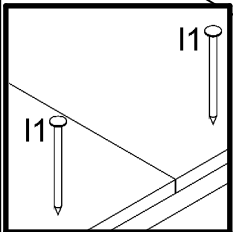
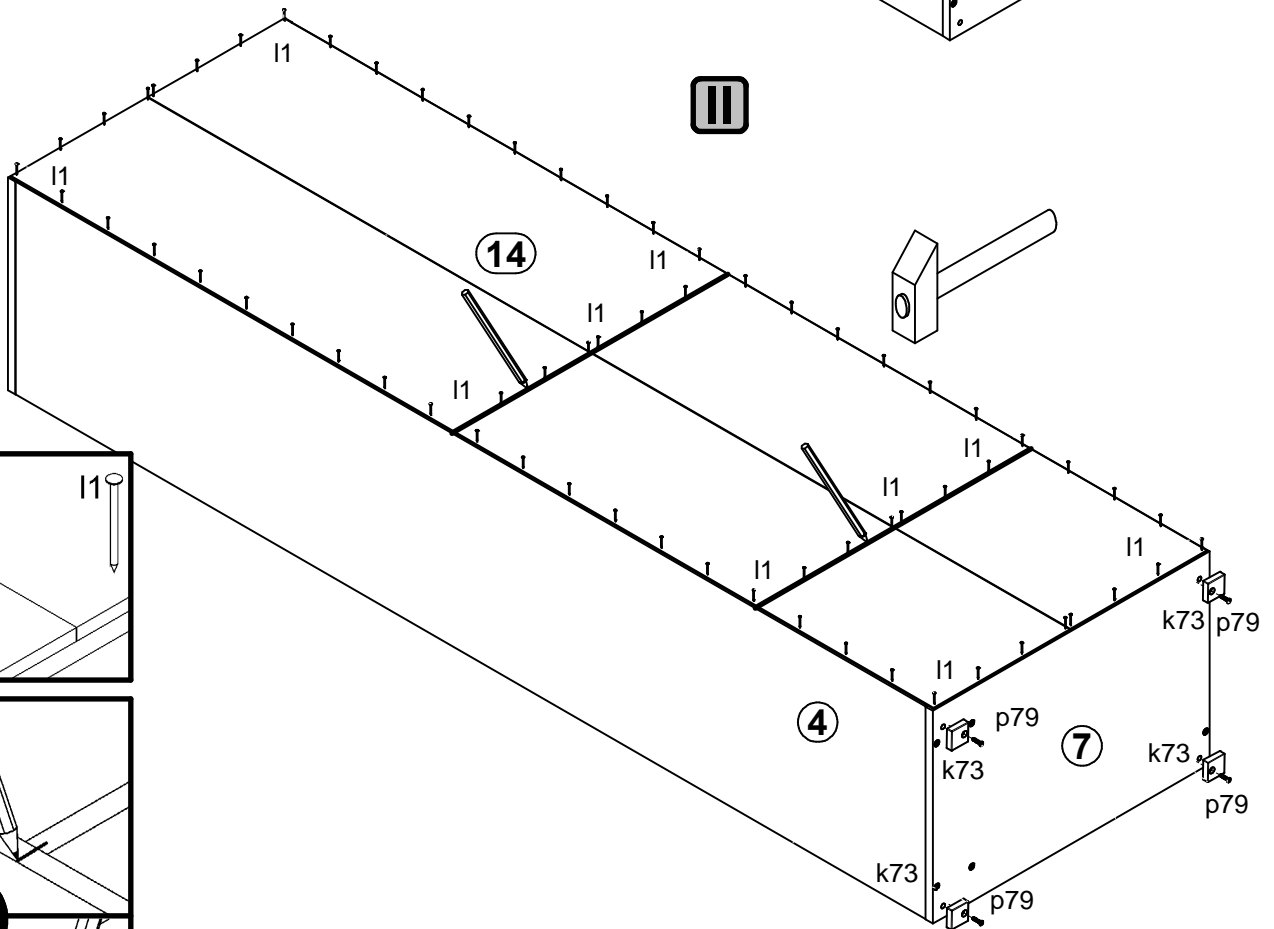
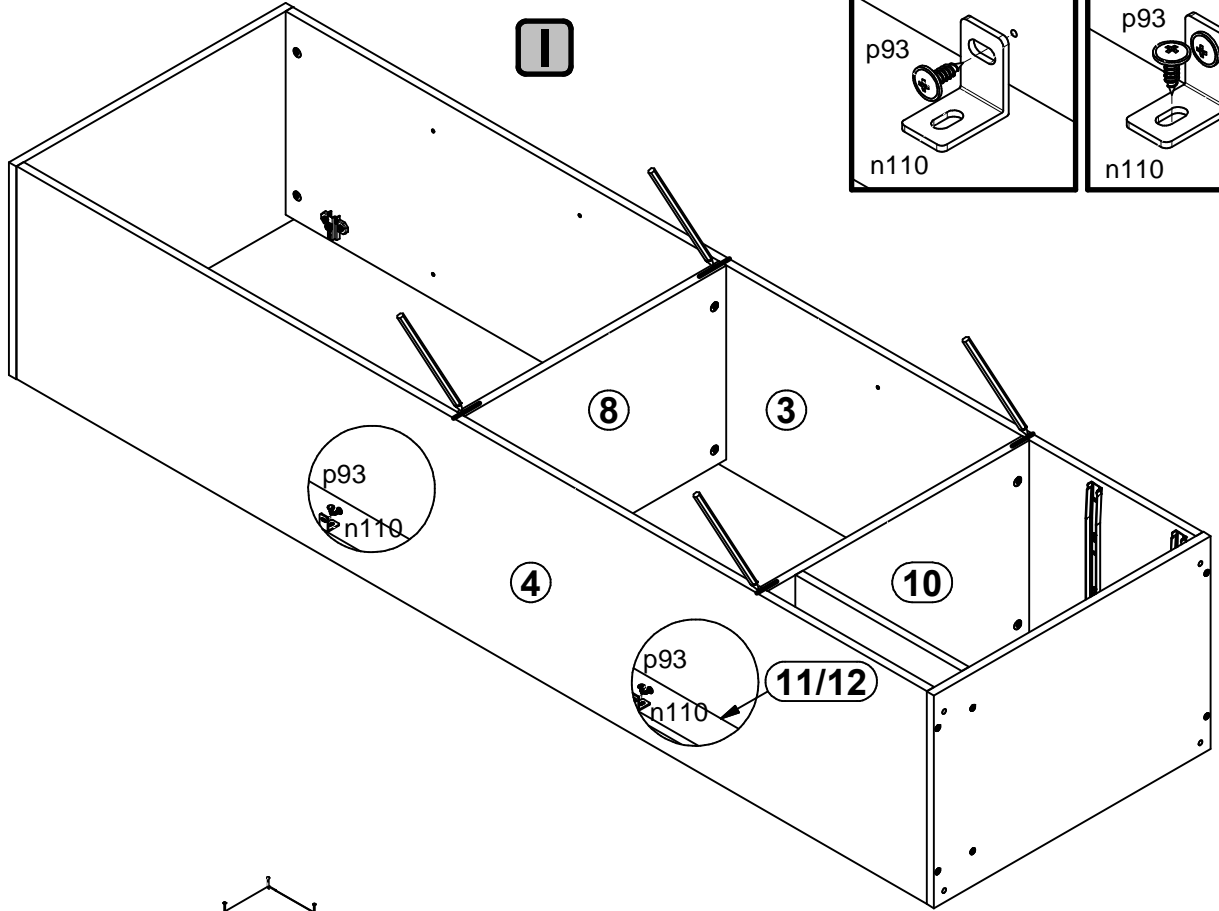
## II



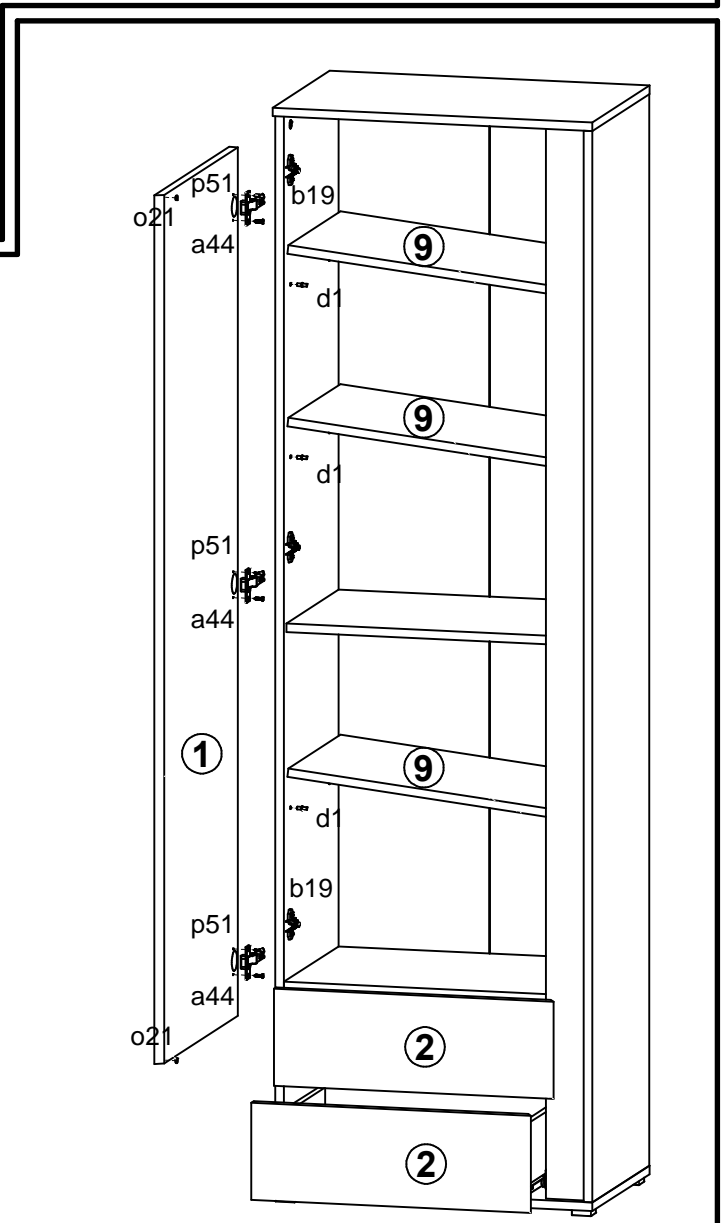
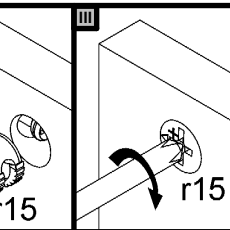
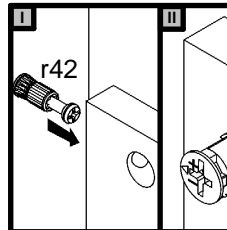
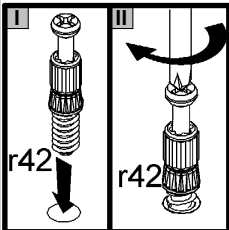
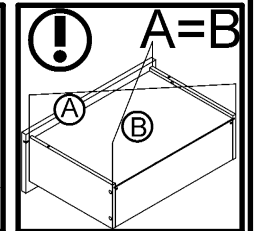
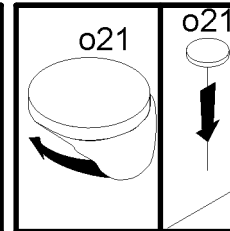
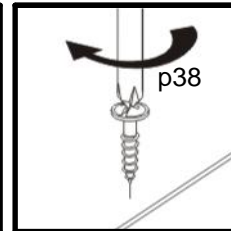
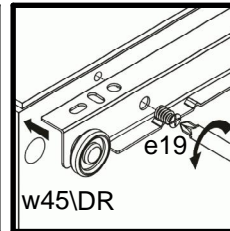
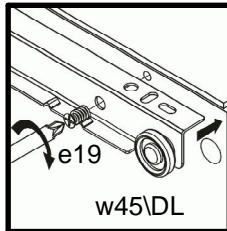
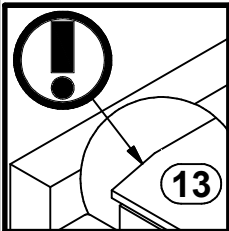
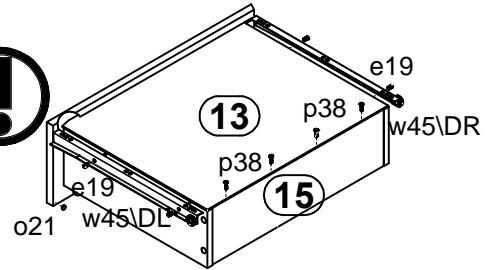
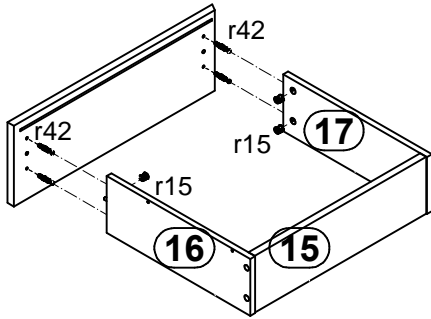
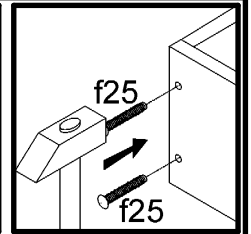
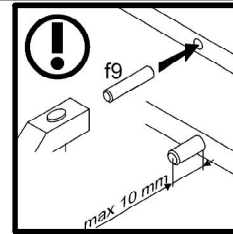
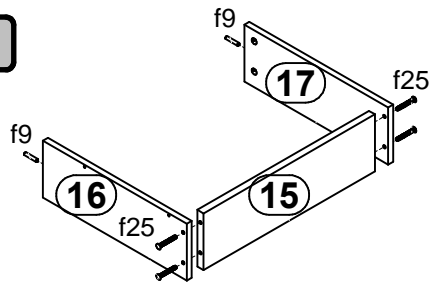
## III



# 4



# 5



# 6

