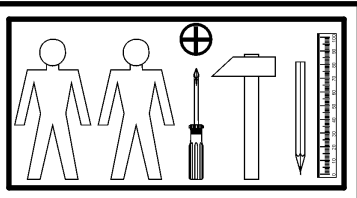
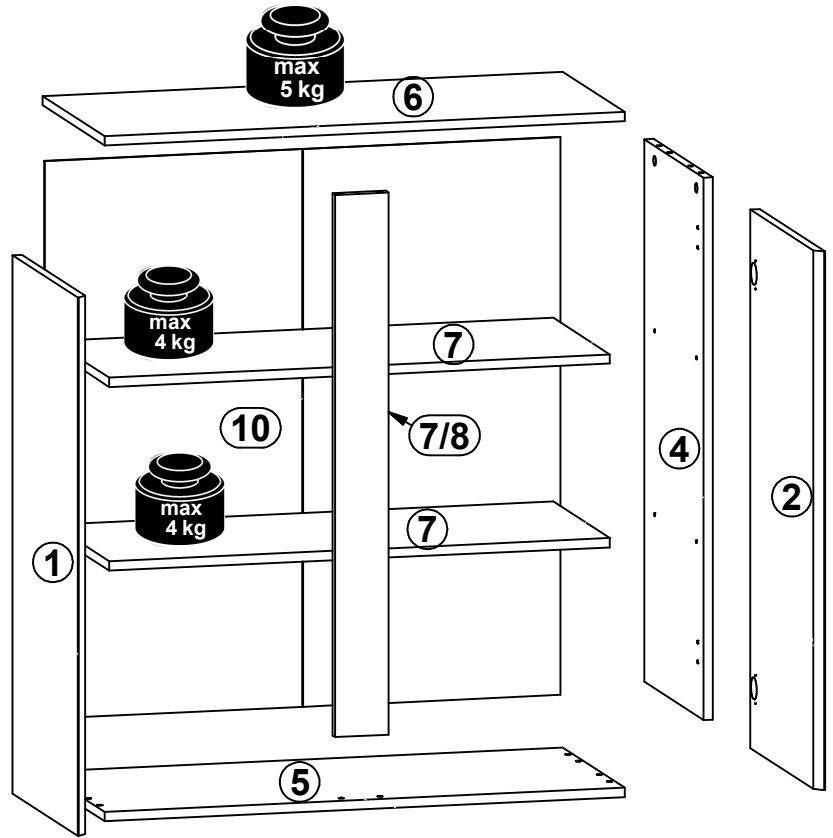
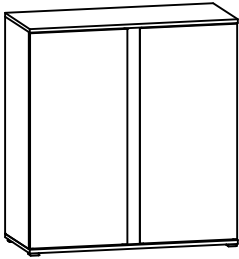


# A

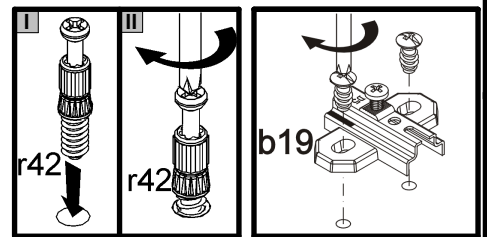
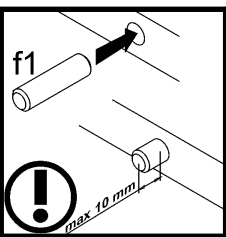
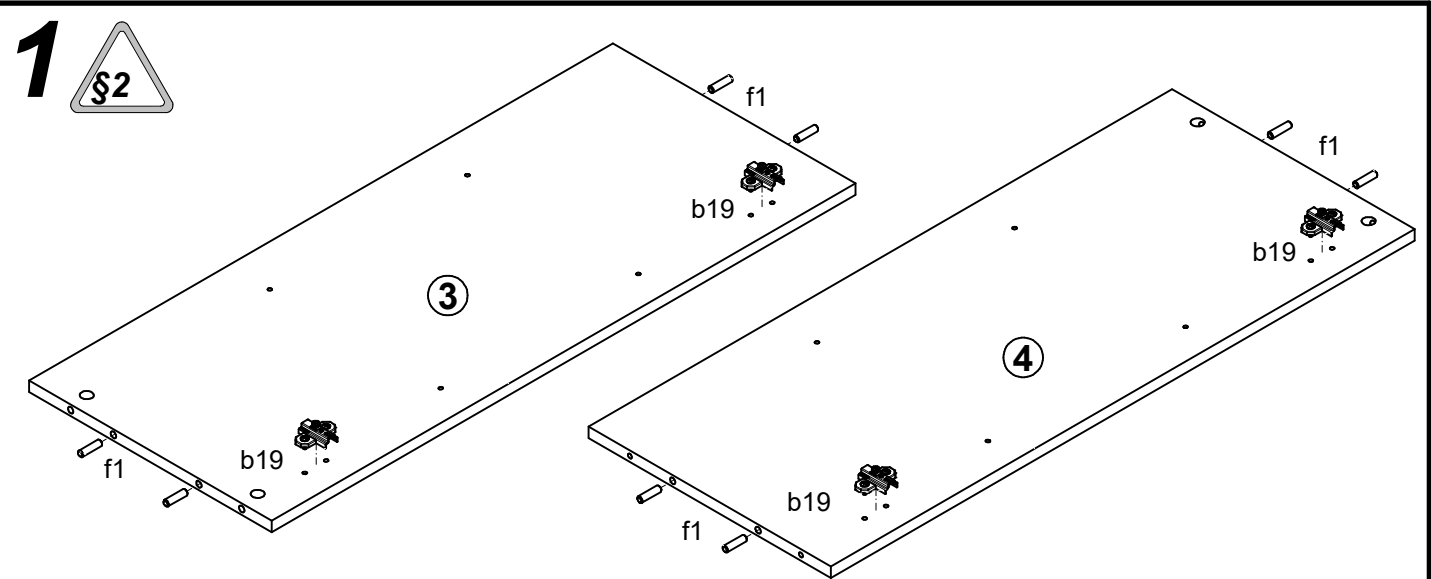
# GRAPHIC

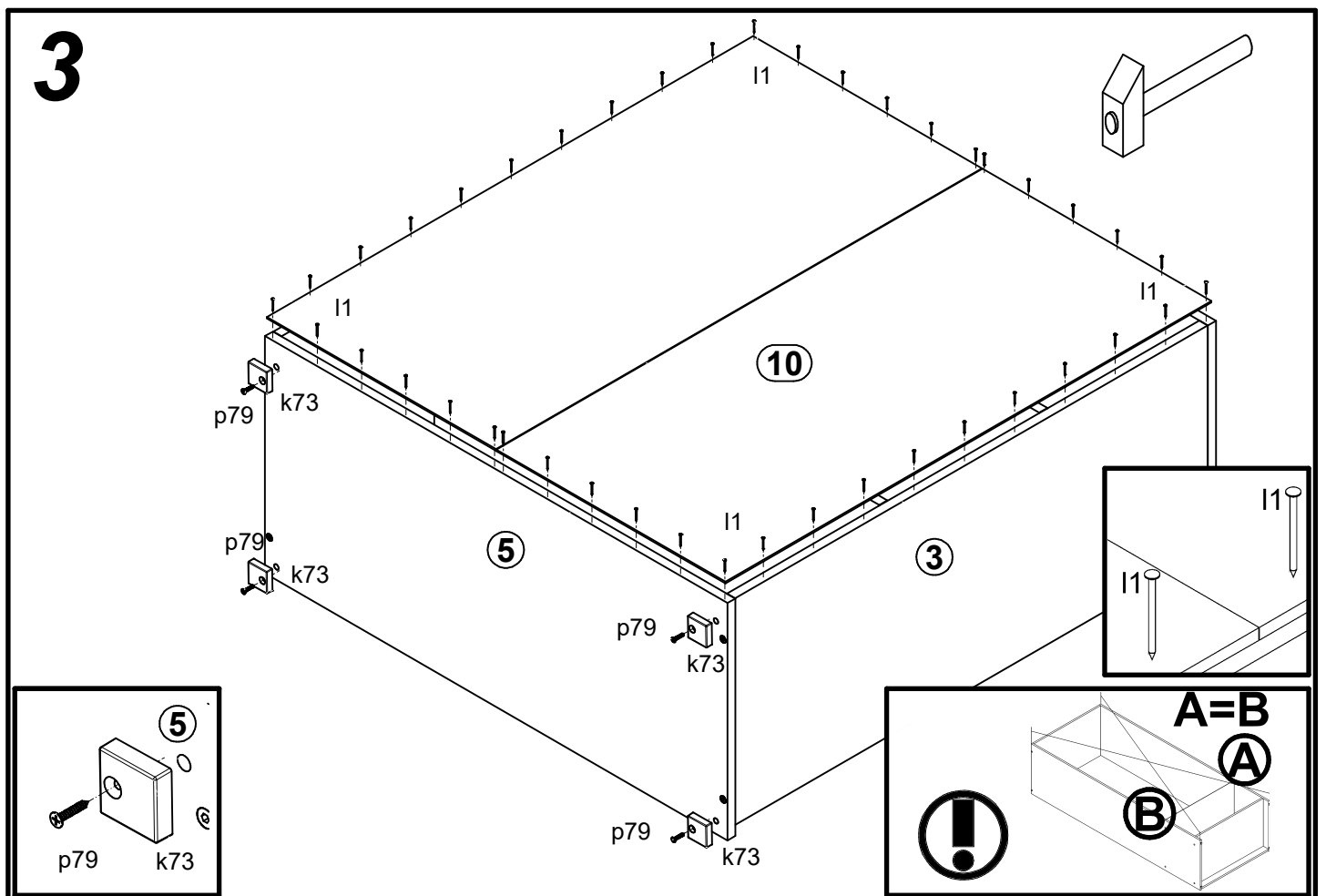
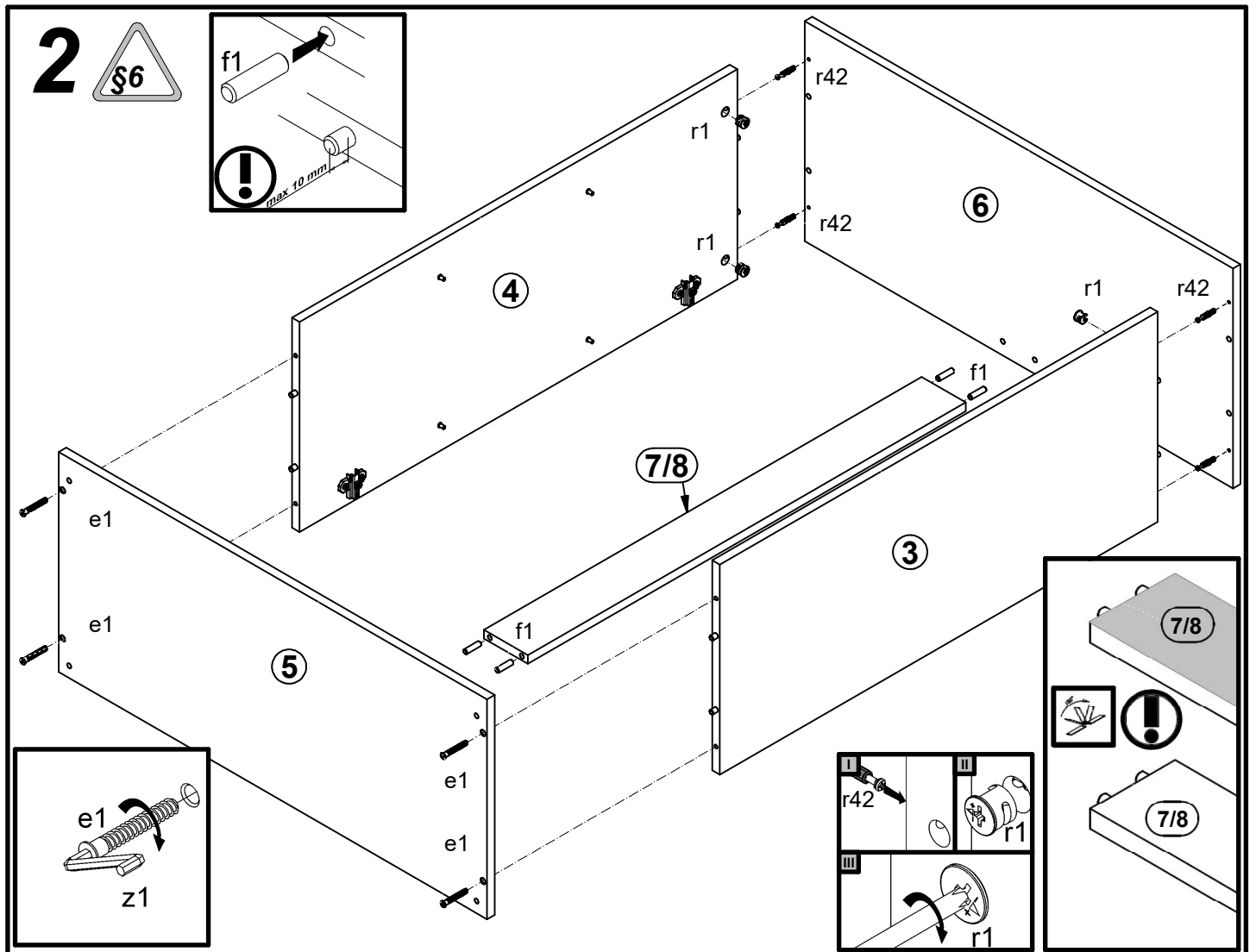
# S343-KOM2D/B

A	B	C	D	
1	S343-0018	868	400	2/2
2	S343-0019	868	400	2/2
3	S343-1023	874	363	1/2
4	S343-1029	874	363	1/2
5	S343-2023	855	380	1/2
6	S343-2024	855	380	1/2
7	S343-3012	823	347	1/2
8	S343-4016	874	88	1/2
9	S343-4017	874	88	1/2
10	S343-9305	899	848	1/2



4x  a44	4x  b19	8x  d1 Ø5x17 mm	4x  e1 φ7x50 mm	12x  f1 φ8x30 mm	4x  k73	40x  l1	8x  p51 Ø3.5x15 mm	4x  p79 Ø3.5x20 mm
4x  r1 Ø15x12 mm #16	4x  r42	4x  s2 Ø16	1x  z1	1x  n26\1	1x  p38 φ3.5x16 mm	4x  o21 silikon		





# 4

