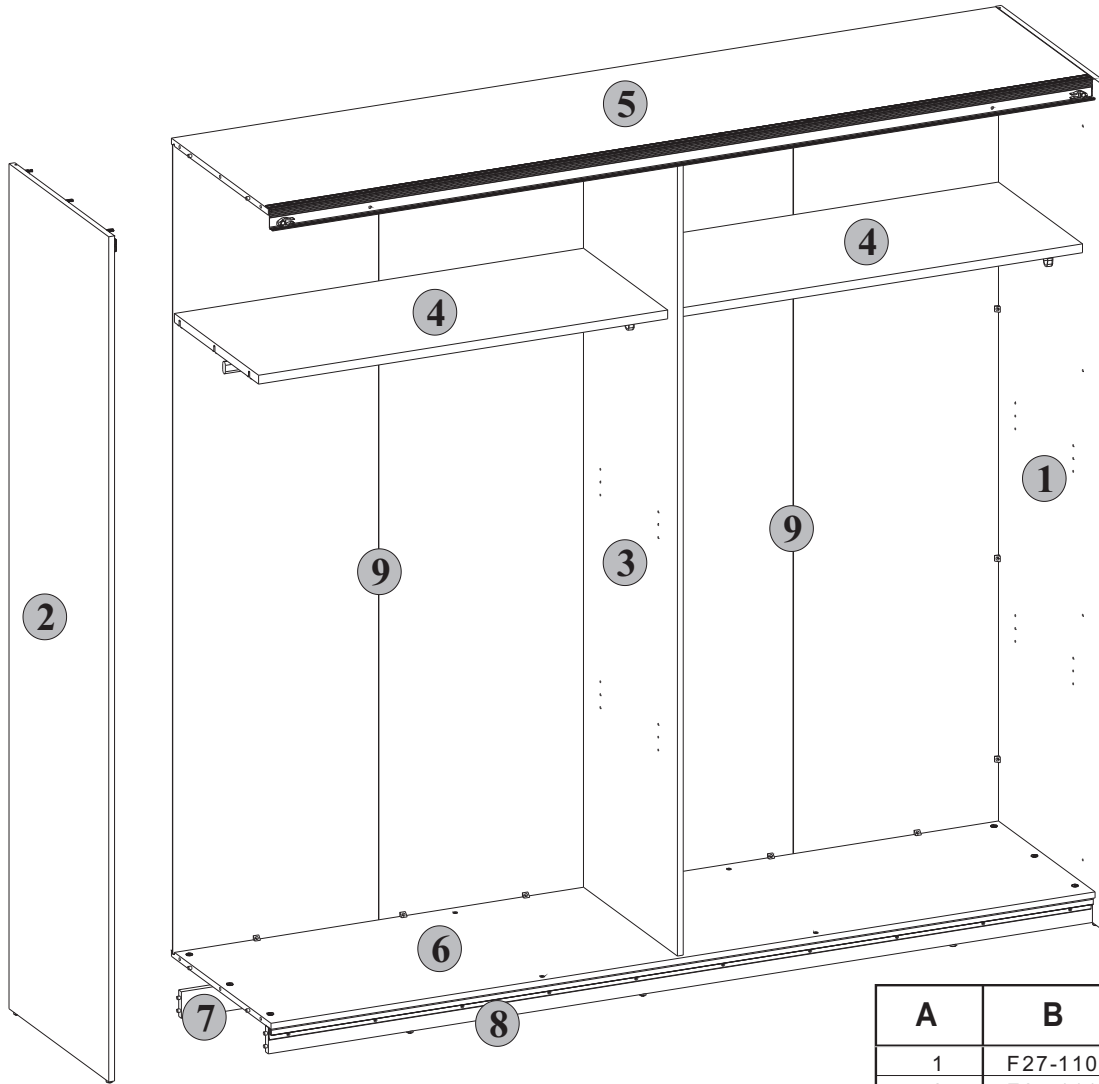
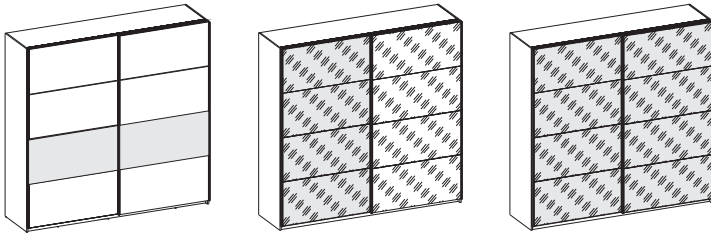


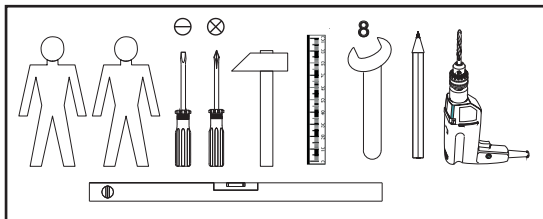
58-054-A1 58-054-17  
58-154-A1 58-055-17

# QUATTRO 4

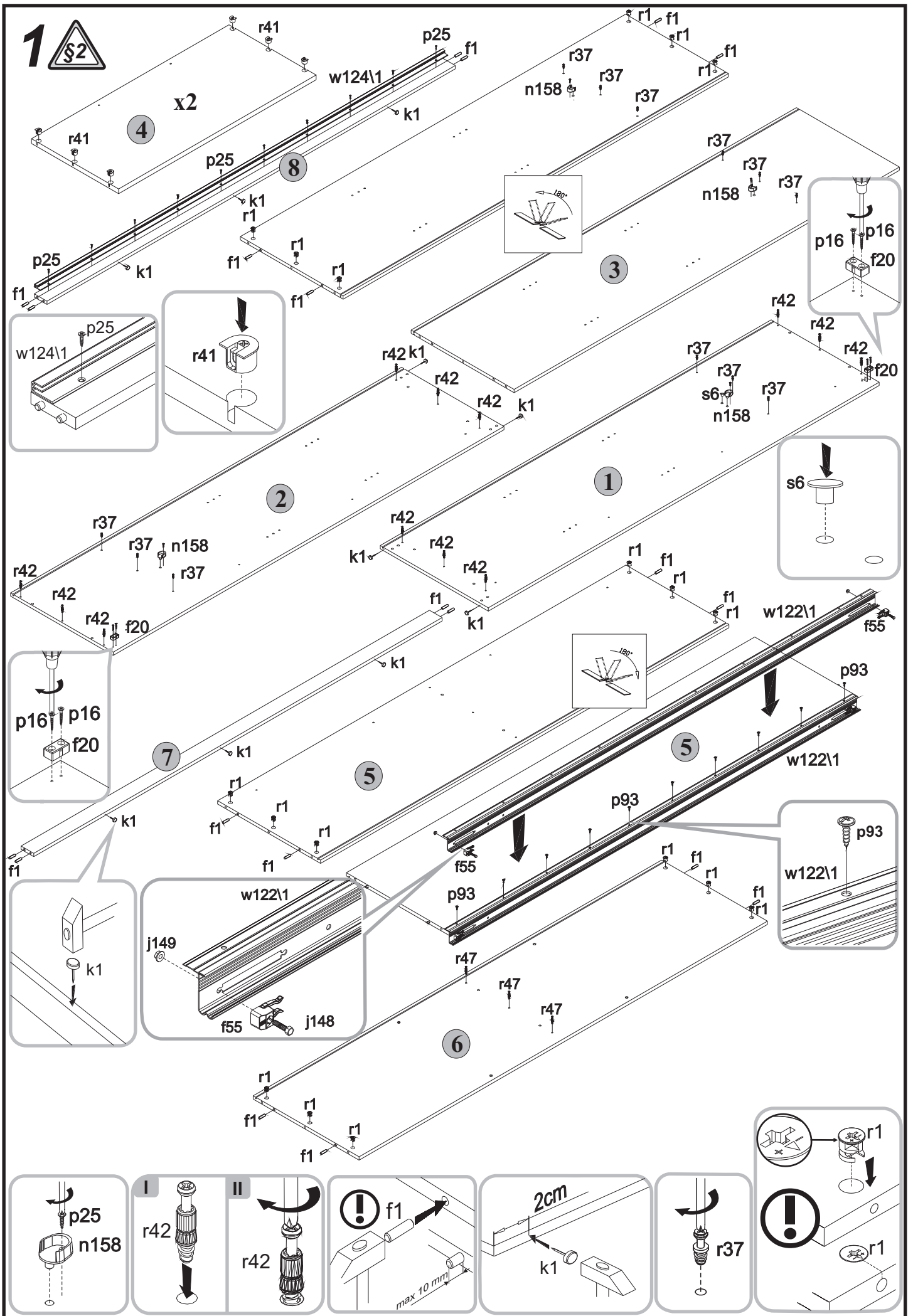
F27-SZF2D/215/210/4  
F27-SZF2D/215/210/4GG  
F27-SZF2D/215/210/4GM



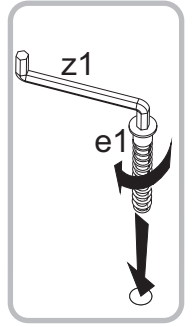
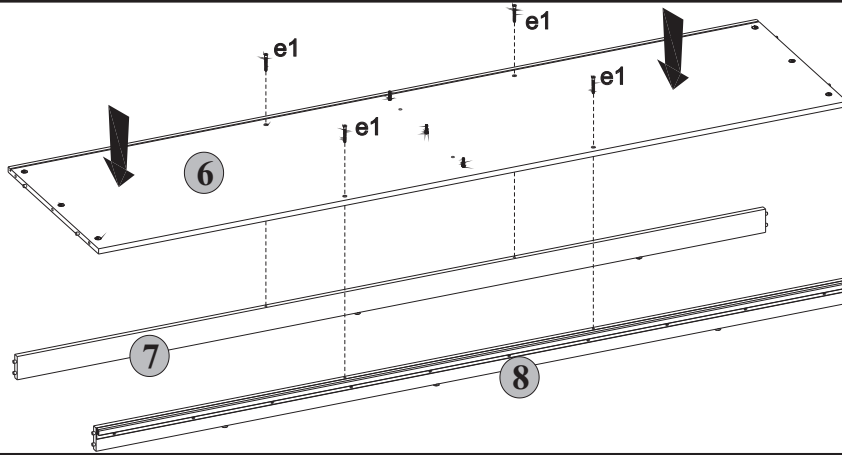
A	B	C	D
1	F27-110	2100x580	1/4
2	F27-111	2100x551	1/4
3	F27-115	2003x535	1/4
4	F27-301	1054x465	2/4
5	F27-323	2123x535	2/4
6	F27-324	2123x550	2/4
7	F27-401	2123x66	2/4
8	F27-411	2123x66	2/4
9	F27-901A	2012x1063	1/4



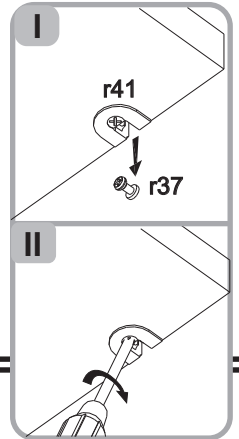
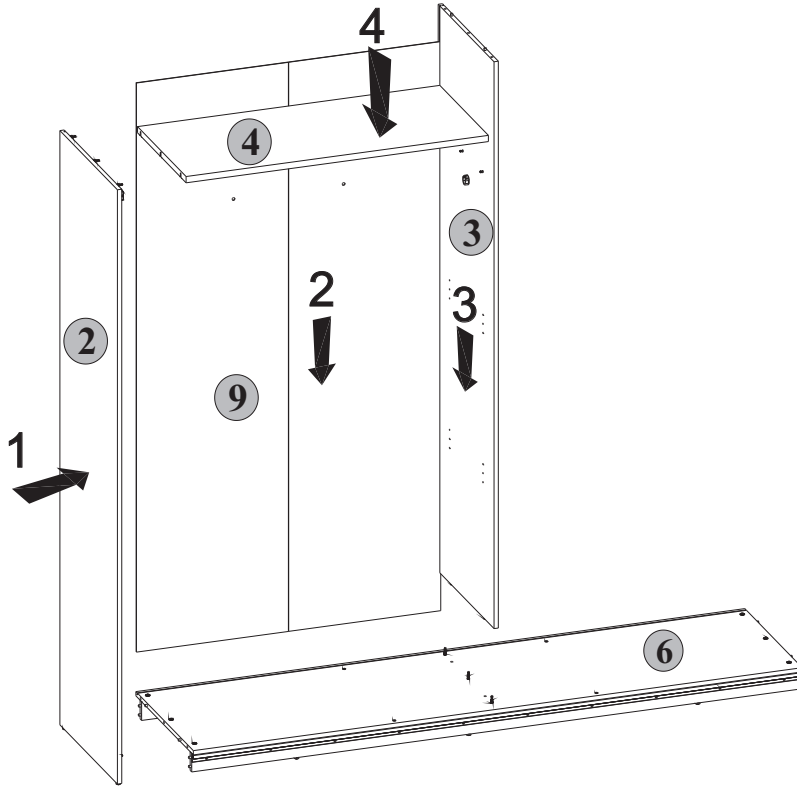
1x L=2118mm w122\1		2x 15x30x1049 mm dr1049		1x L=2118mm w124\1				
2x 81x21x15\1.5mm n14	4x d20	4x $\phi$ 7x50 mm e1	4x $\phi$ 6.3x10 mm e50	20x $\phi$ 8x30 mm f1	2x f20	2x f55		
2x M5x20 mm j148	2x M5 j149	28x I2	10x k1	4x n158	4x $\phi$ 3.5x25 mm p16	14x $\phi$ 3.5x16 mm p25	14x $\phi$ 4x13 mm p93	
18x $\phi$ 15x12mm #16 r1	12x 6,7\7,8 r37	12x $\phi$ 20x13.5mm #19 r41	18x r42	4x s1	18x $\phi$ 16 s2	12x $\phi$ 5 s4	1x $\phi$ 8 s6	1x z1



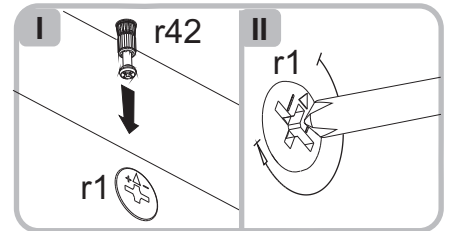
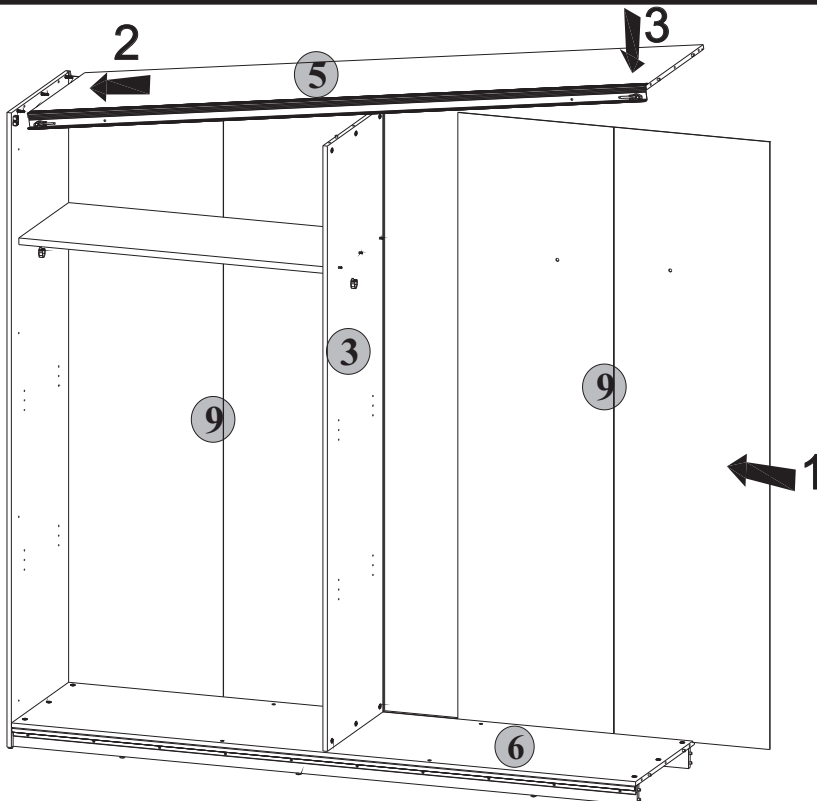
2 

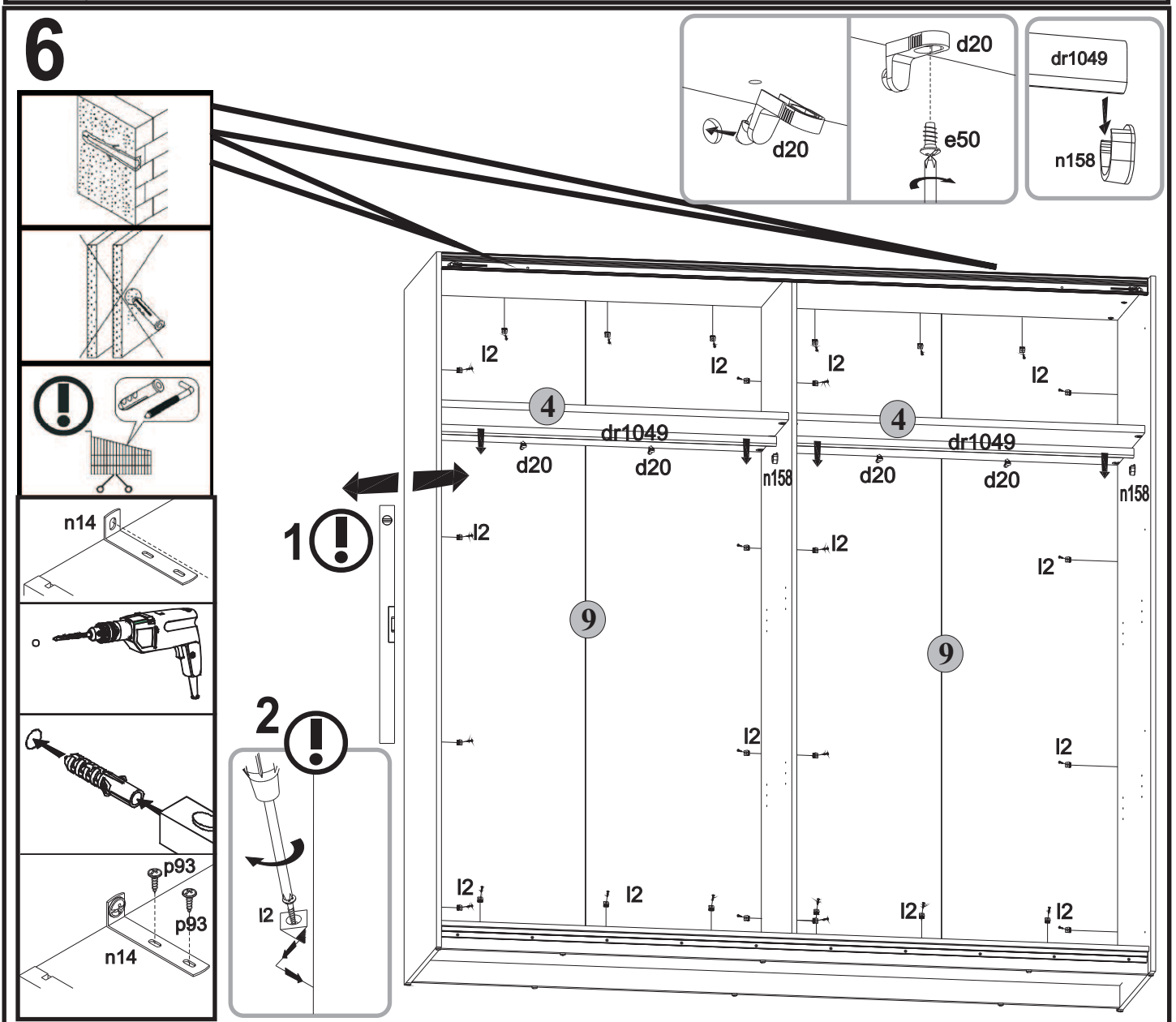
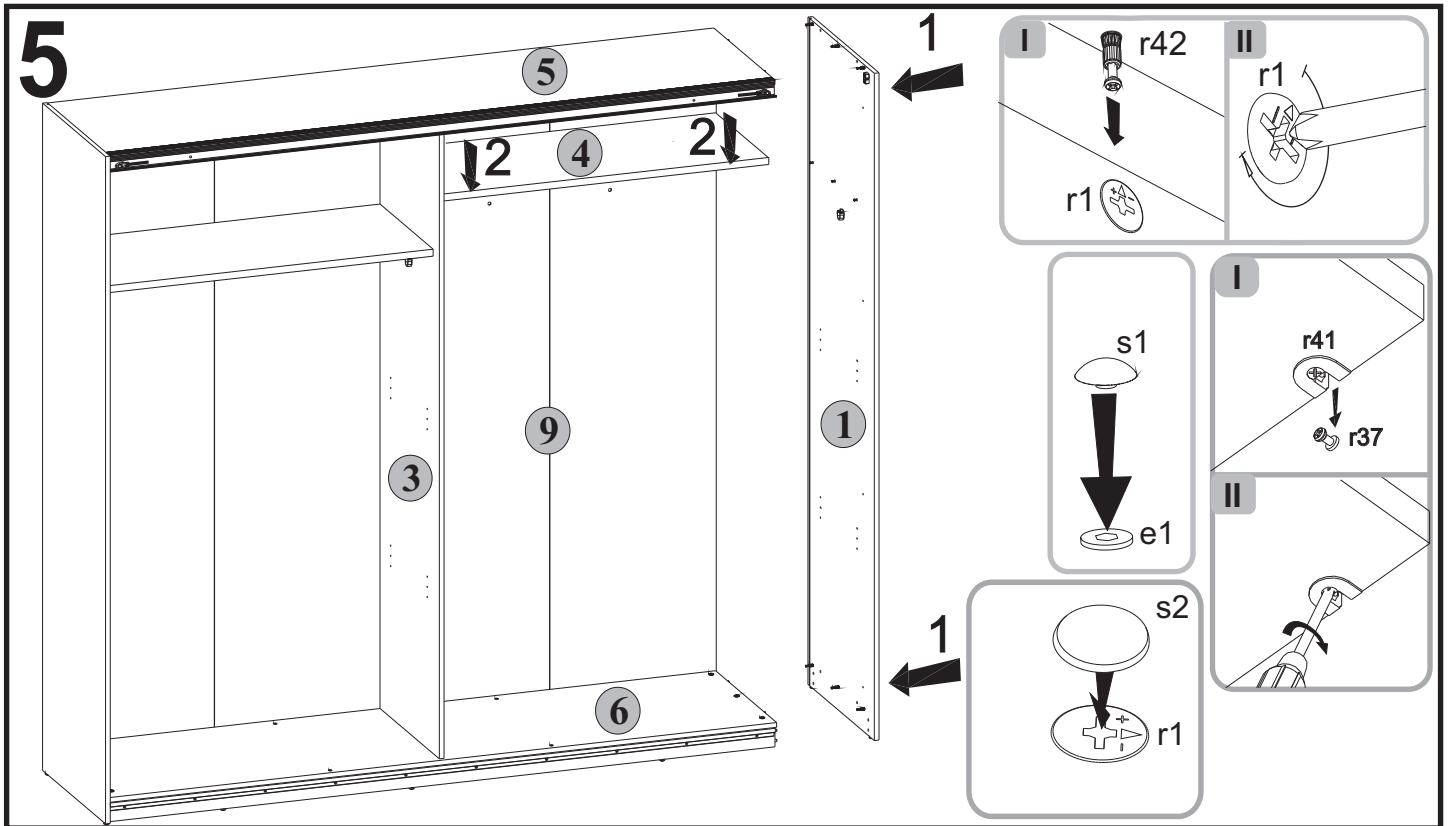


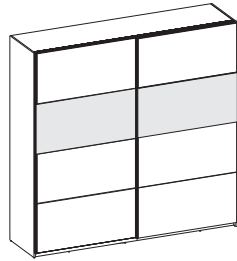
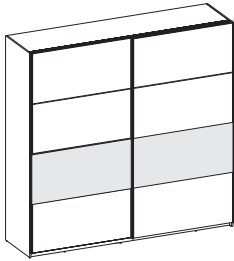
3



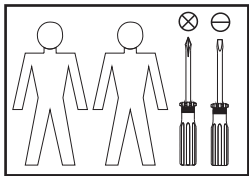
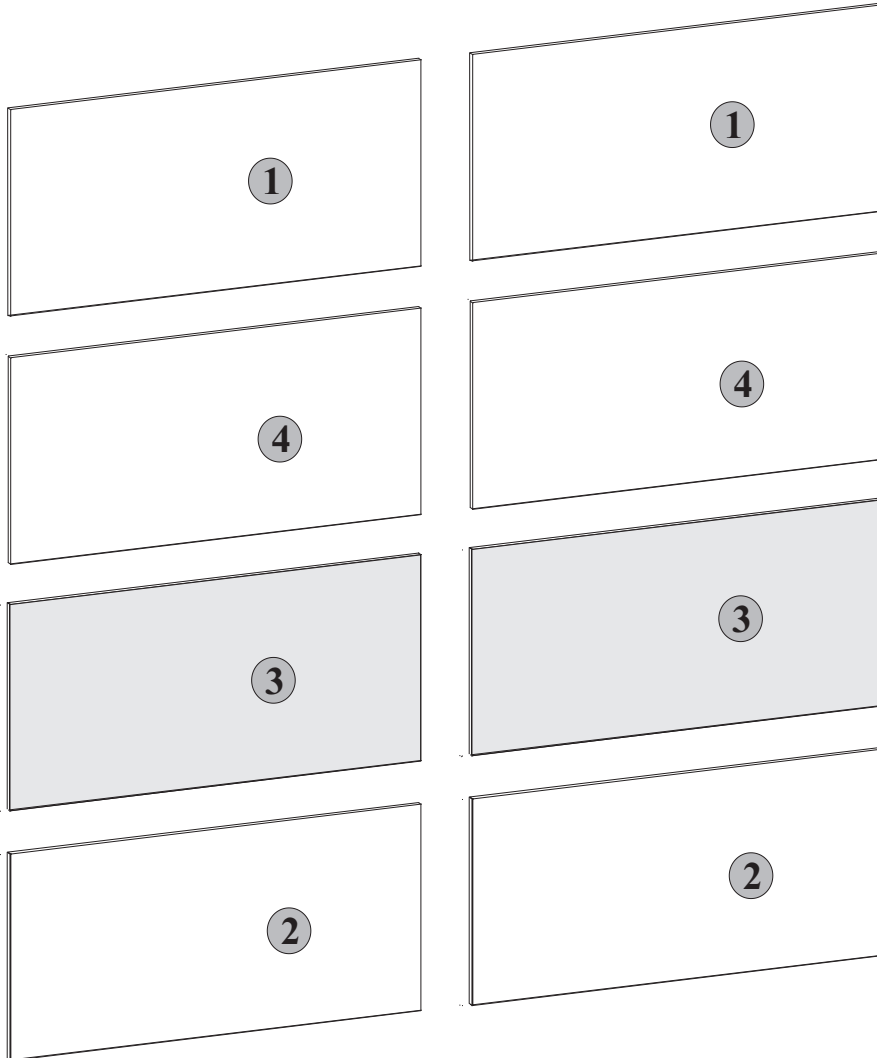
4



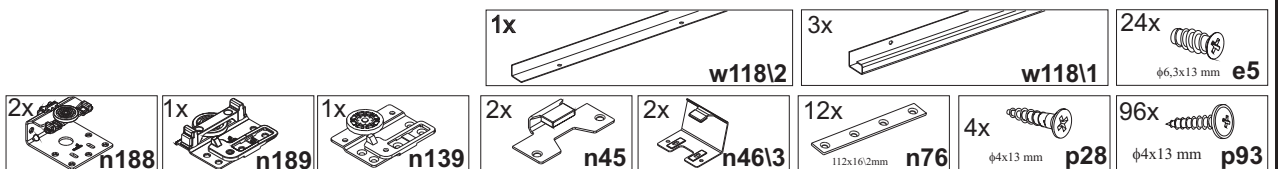


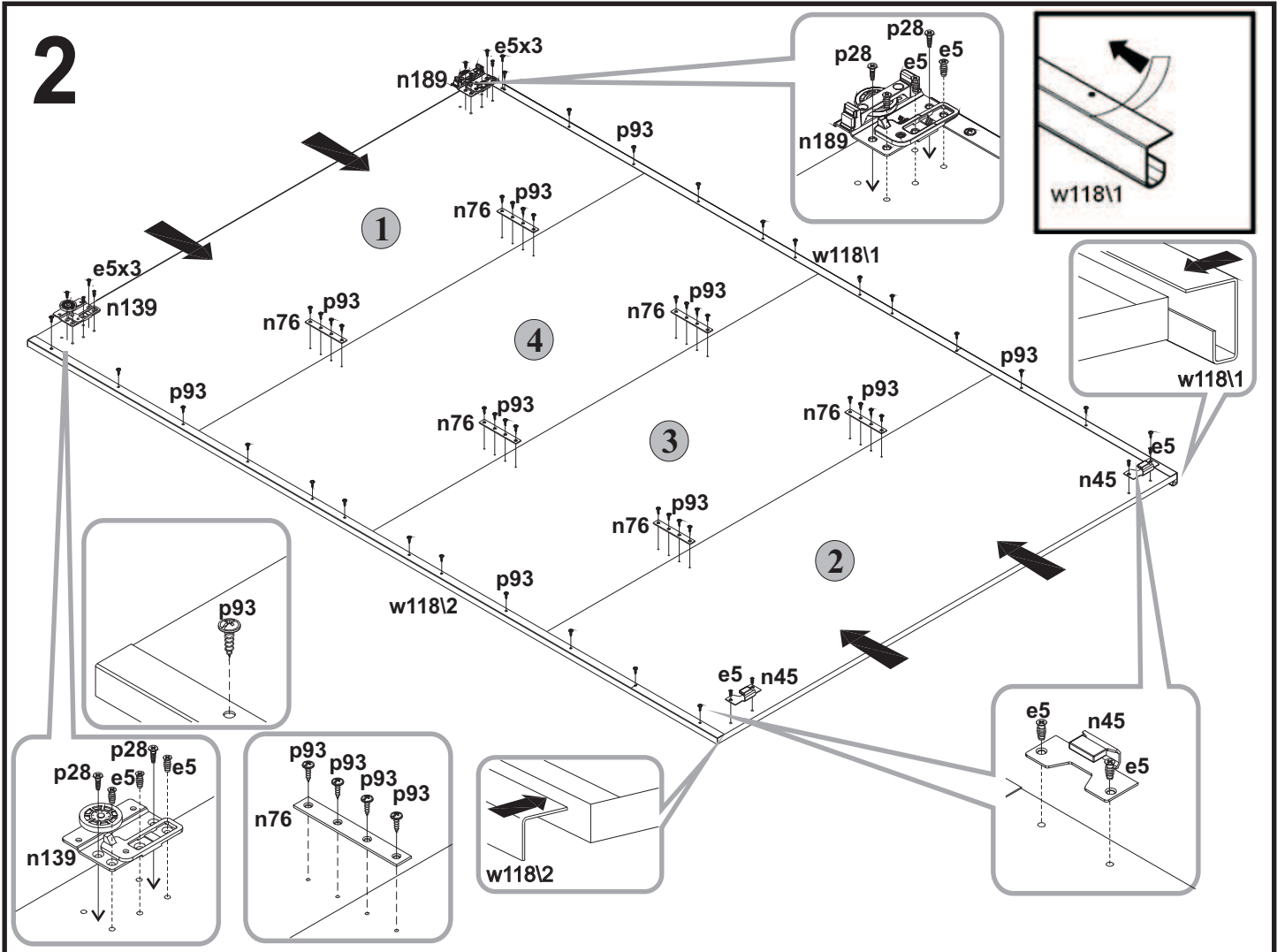
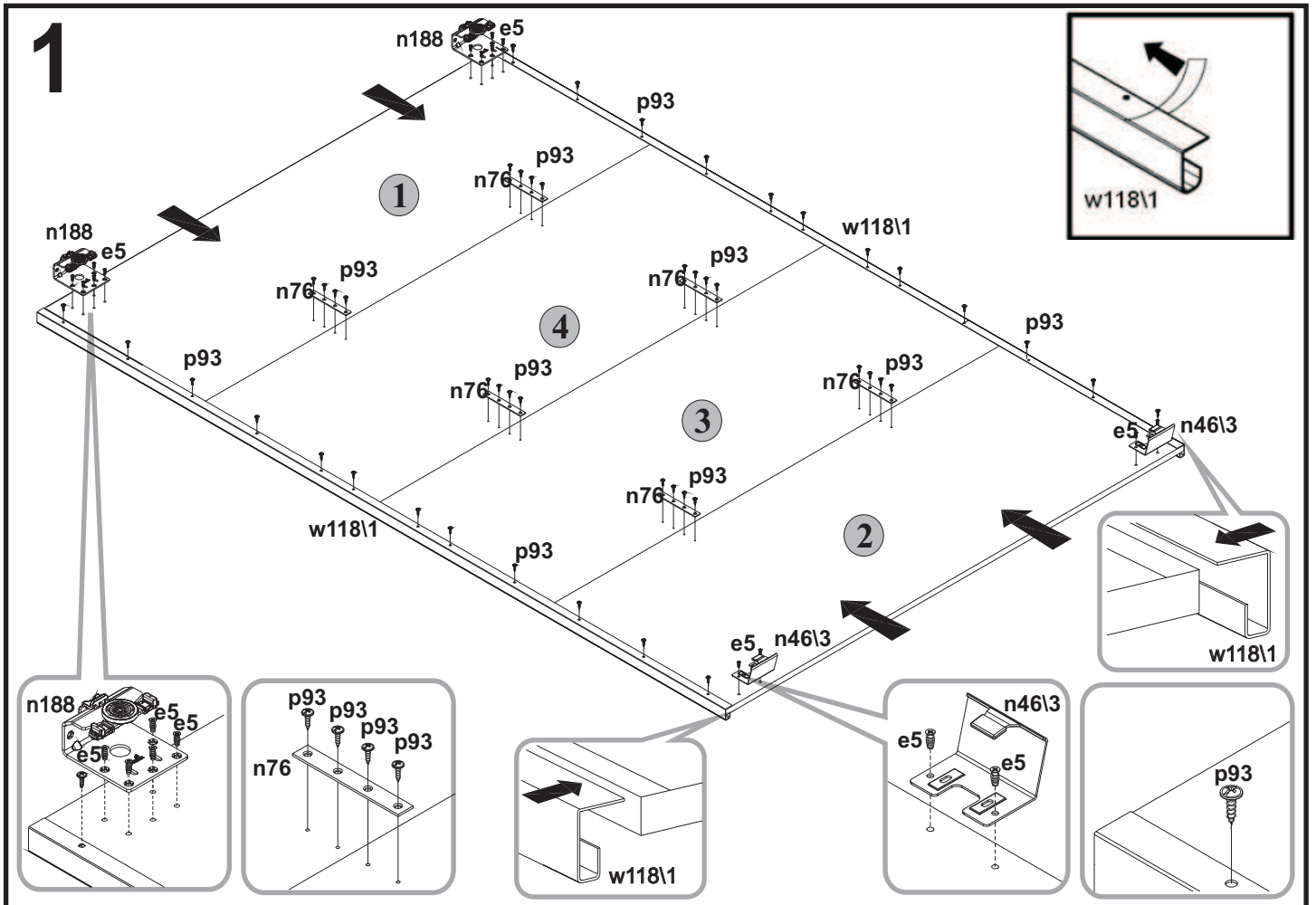


58-054-A1  
58-154-A1

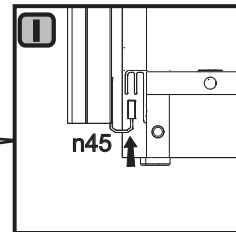
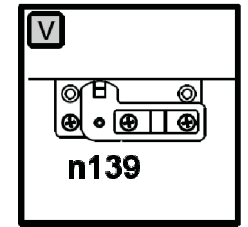
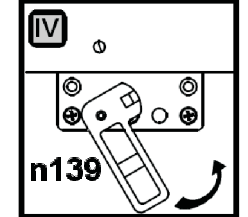
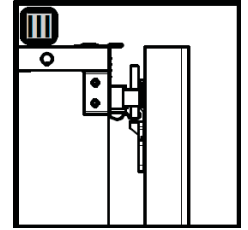
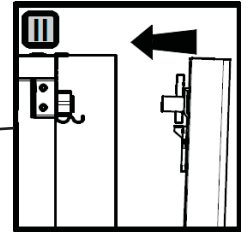
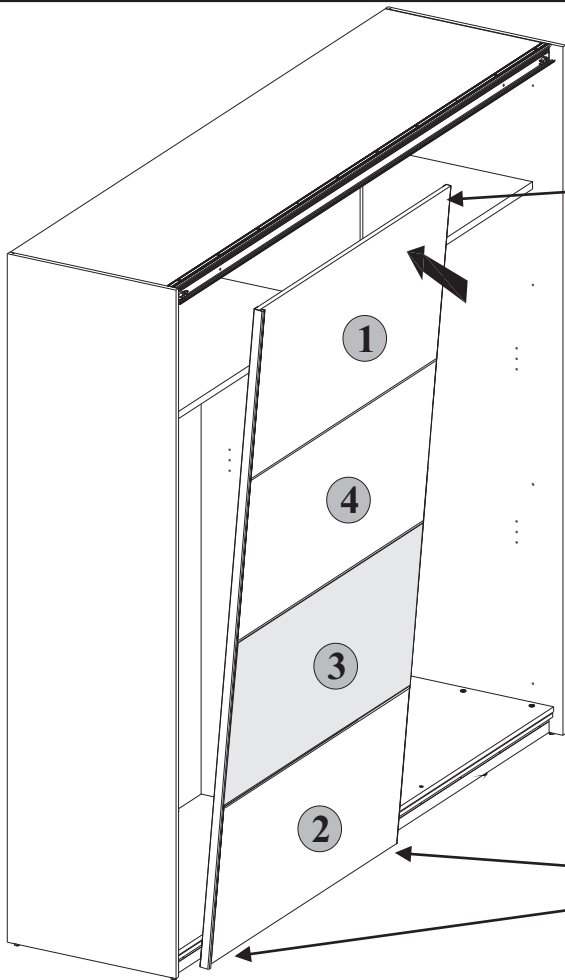


A	B	C	D
1	F27-557K	1085x512	3;4/4
2	F27-559K	1085x512	3;4/5
3	F27-558F	1085x512	3;4/6
4	F27-558K	1085x512	3;4/7

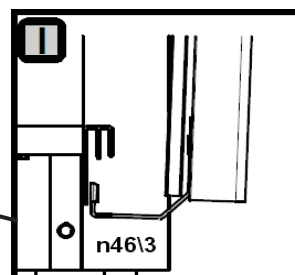
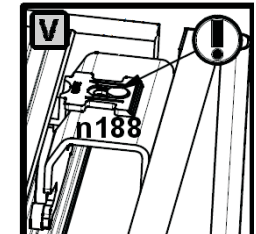
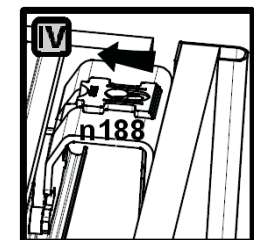
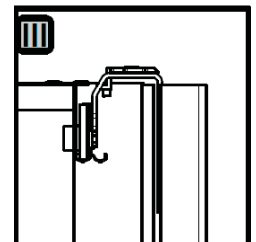
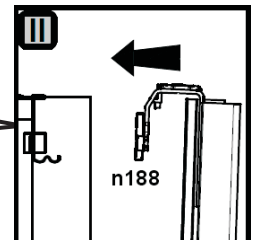
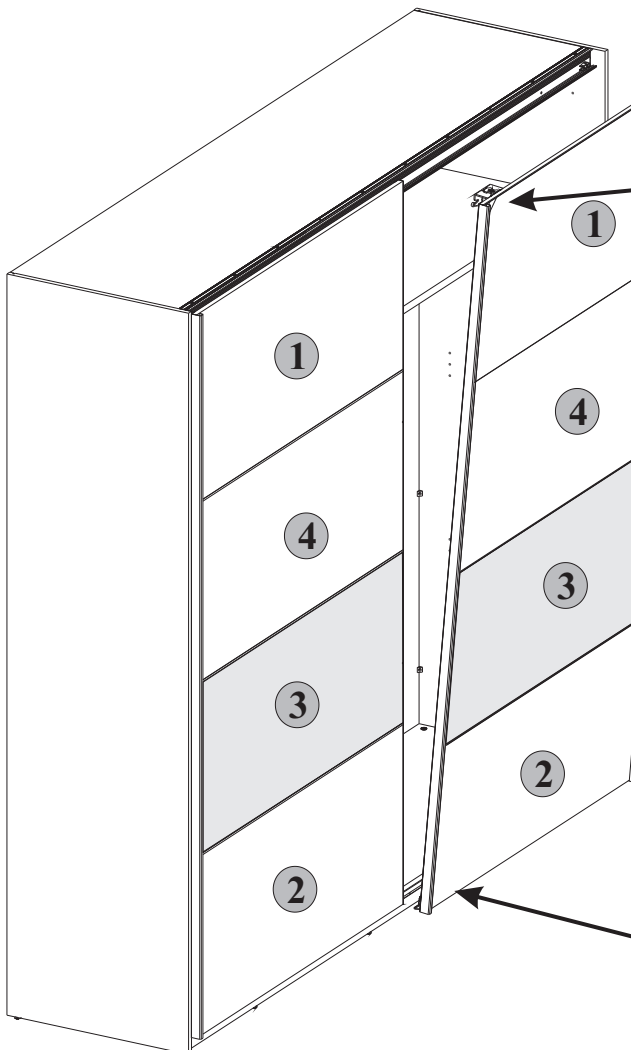




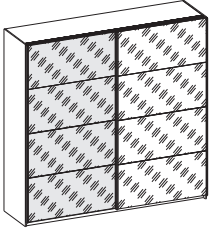
3



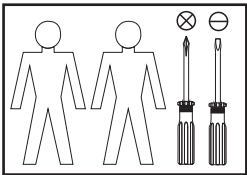
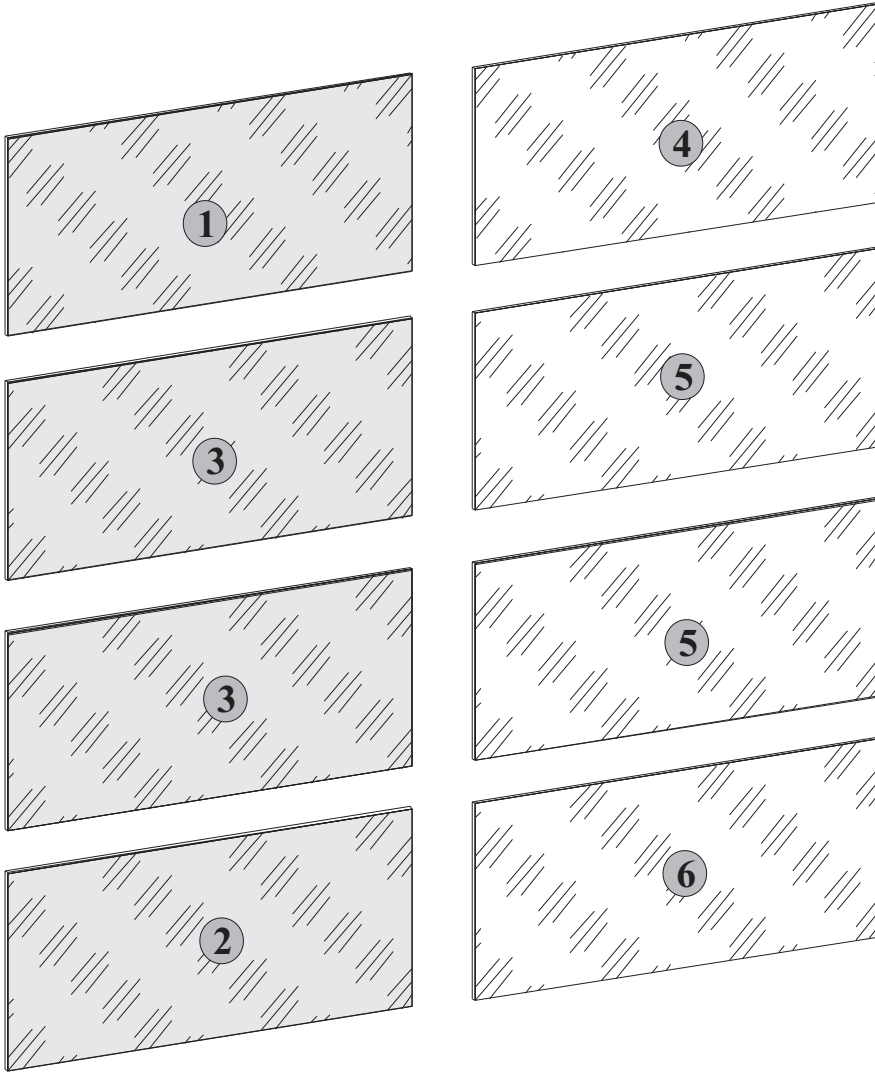
4



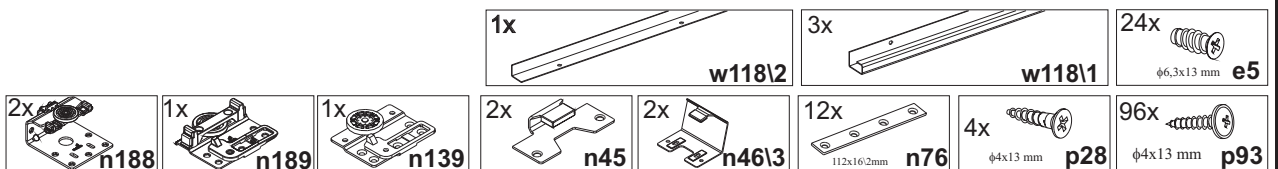
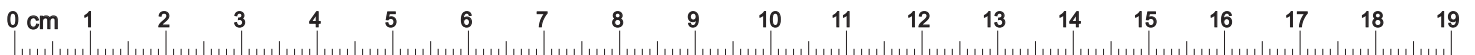




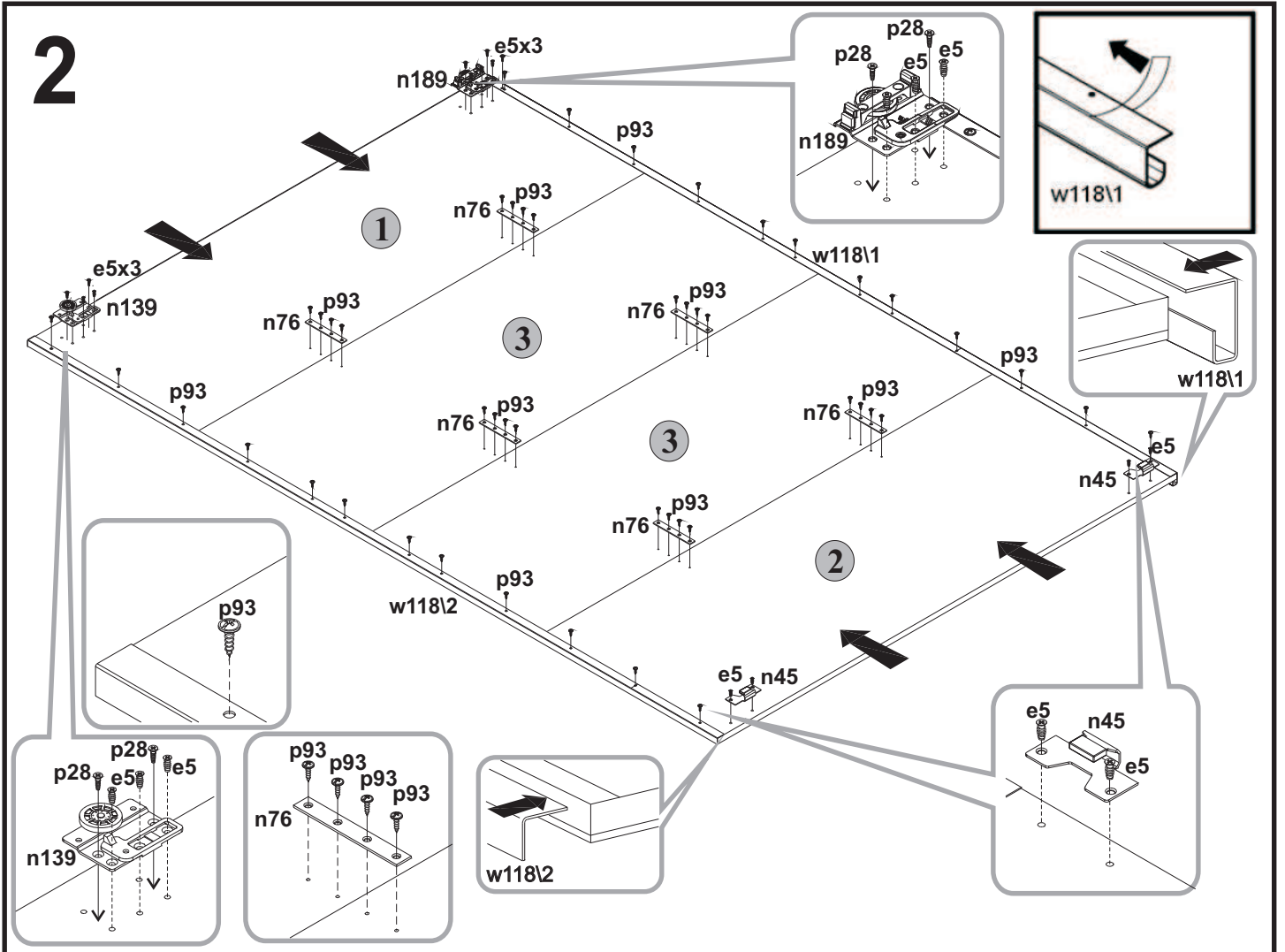
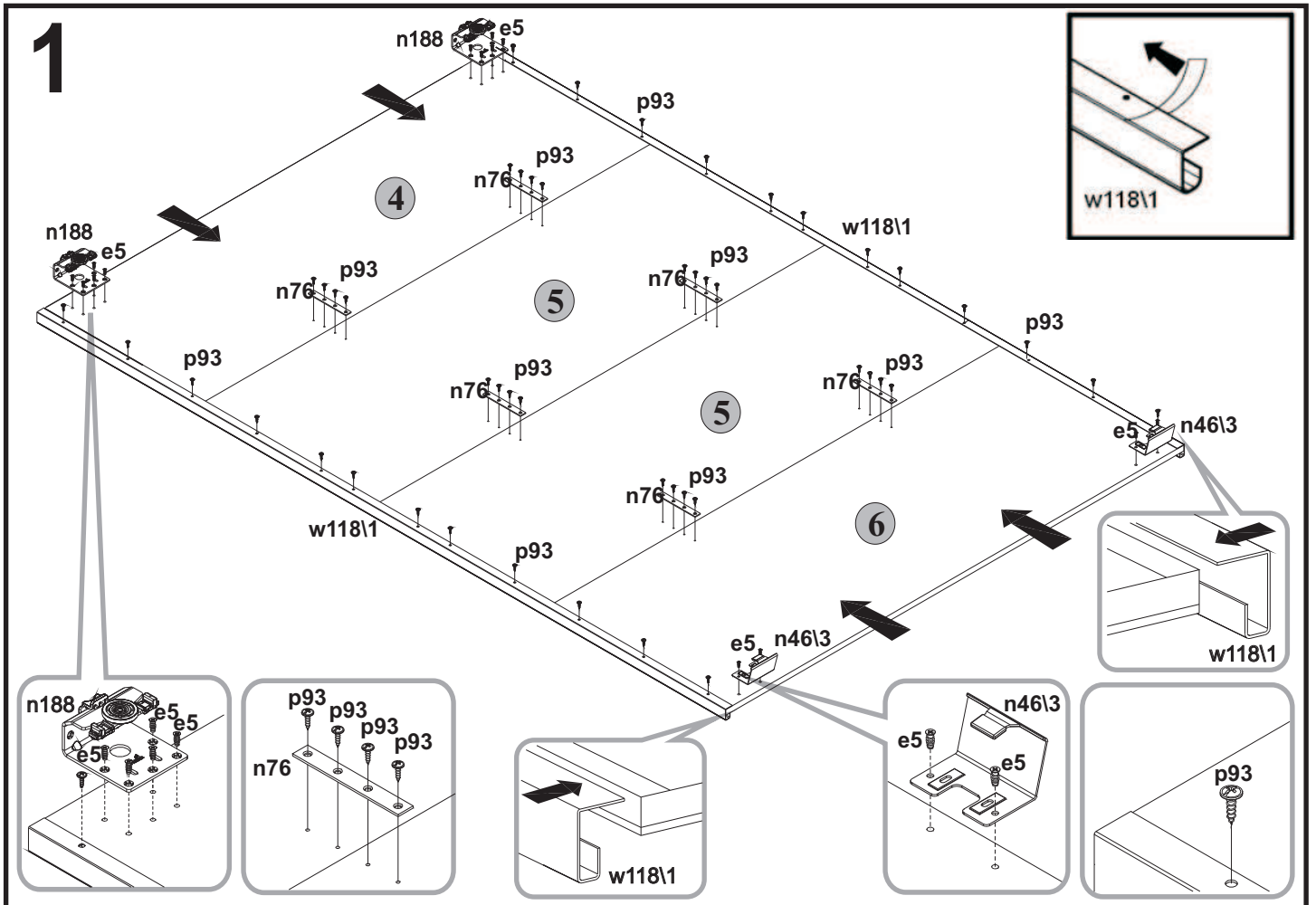
58-055-17



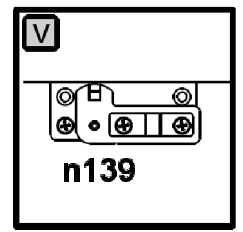
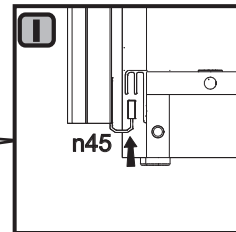
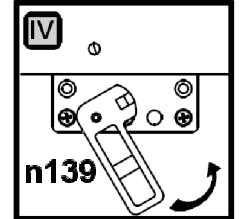
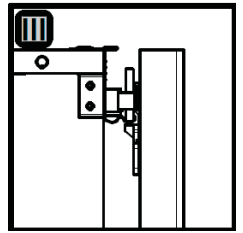
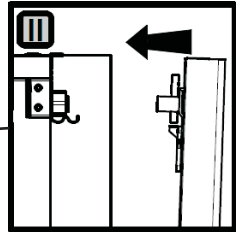
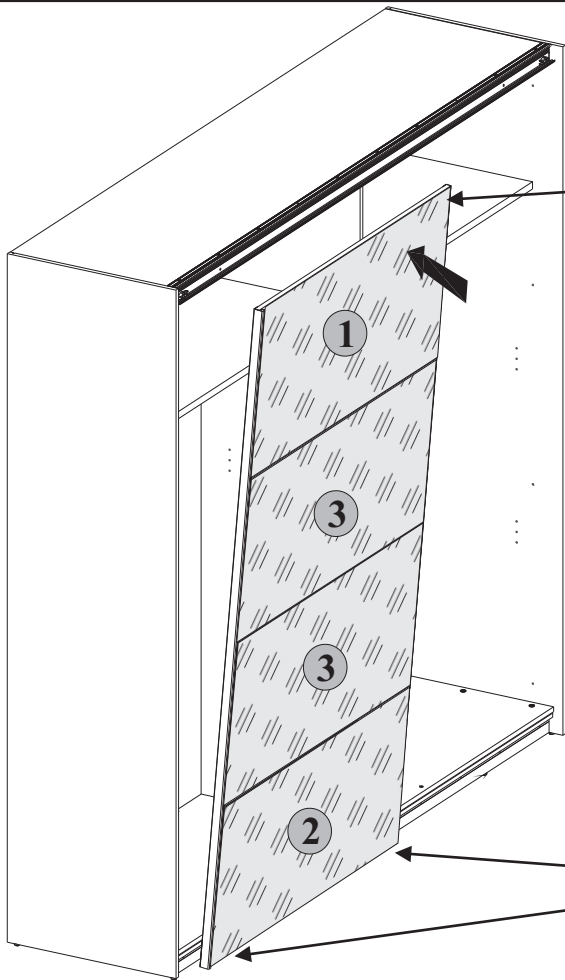
A	B	C	D
1	F27-011	1085x512	3/4
2	F27-013	1085x512	3/4
3	F27-012	1085x512	3/4
4	F27-014	1085x512	4/4
5	F27-015	1085x512	4/4
6	F27-016	1085x512	4/4



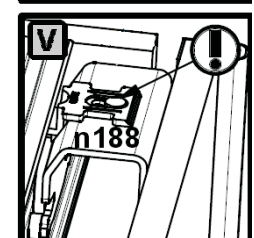
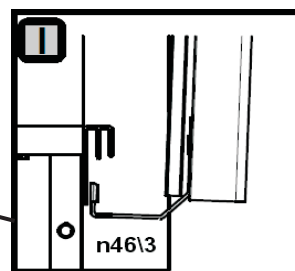
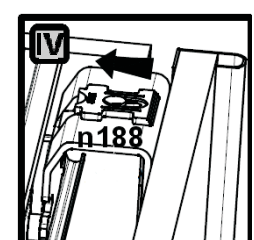
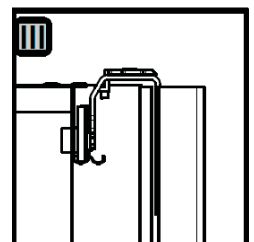
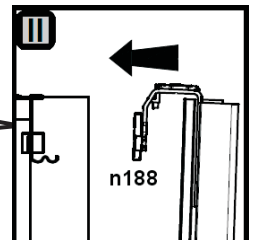
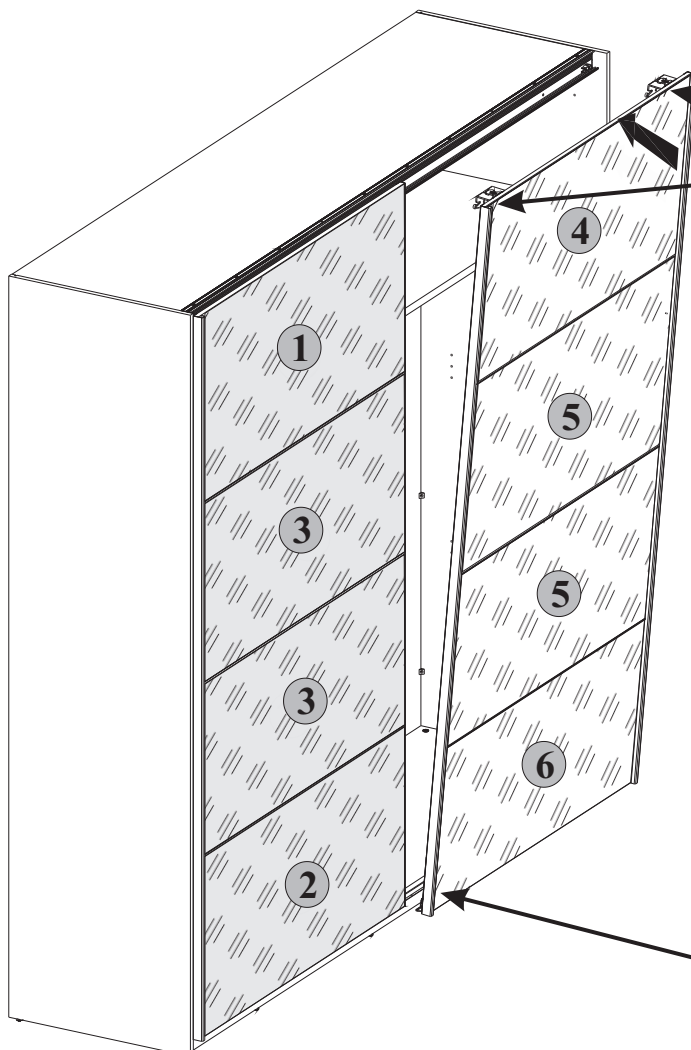


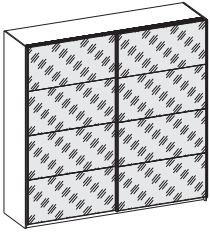


3

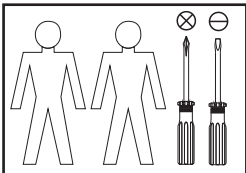
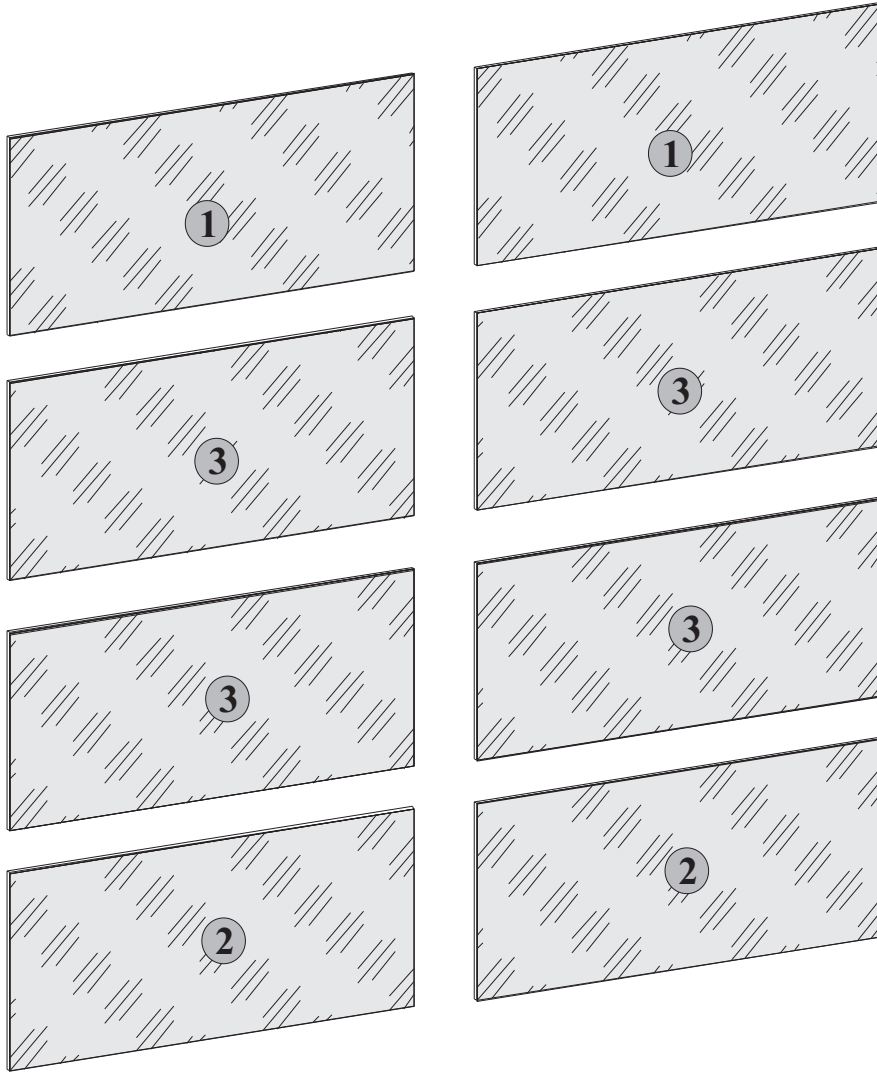


4

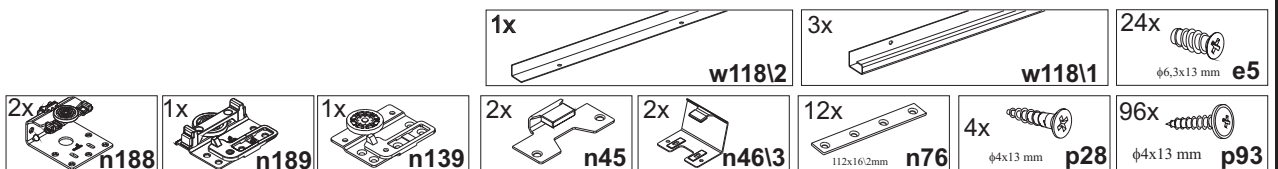


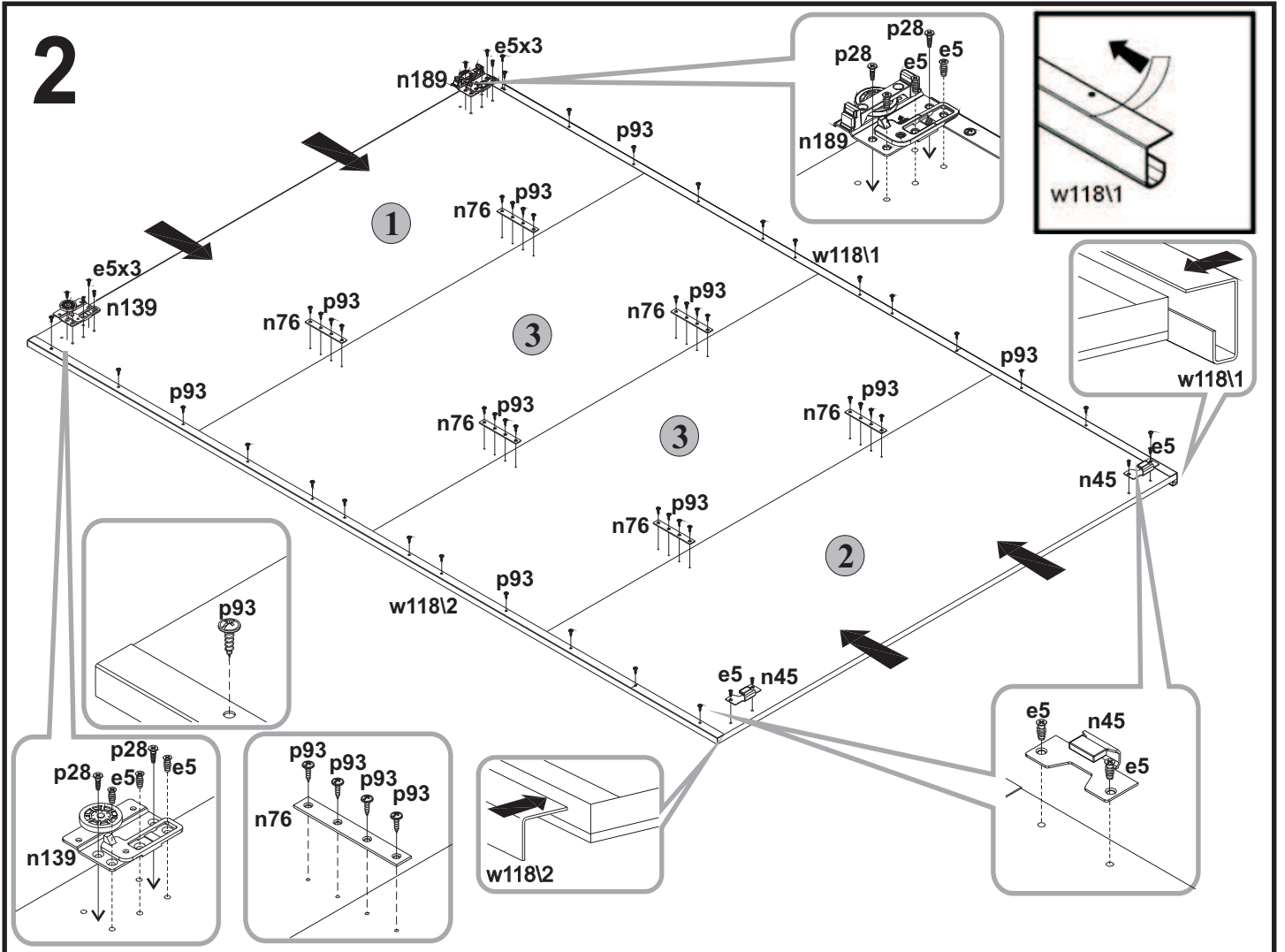
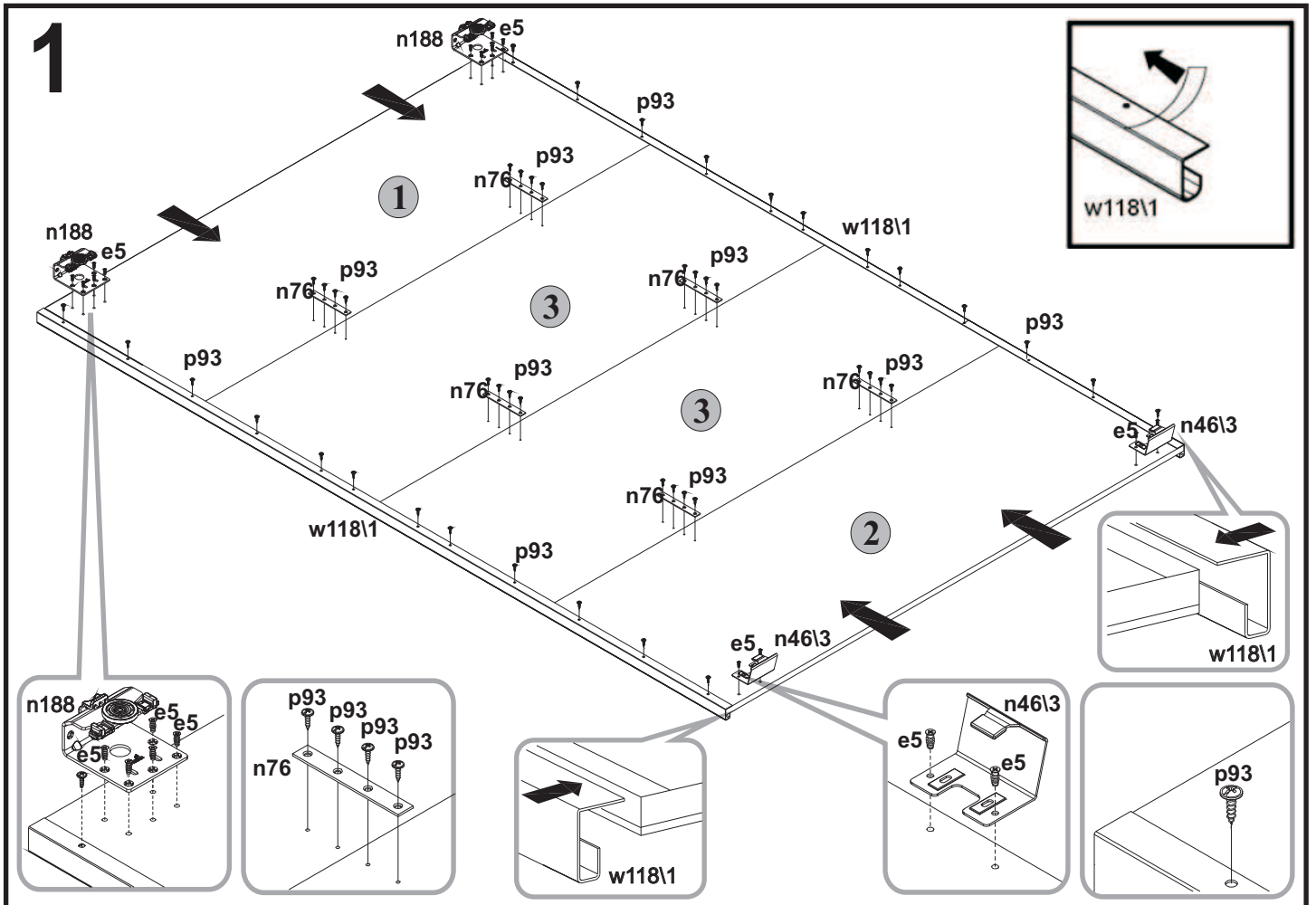


58-054-17

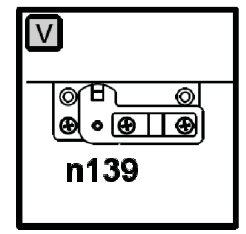
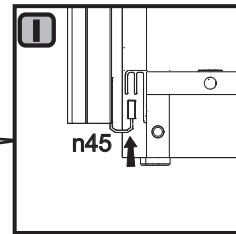
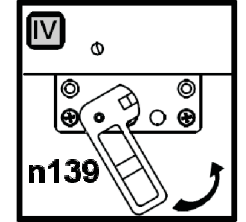
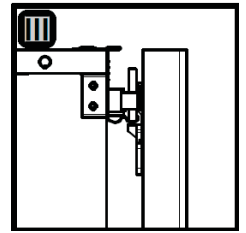
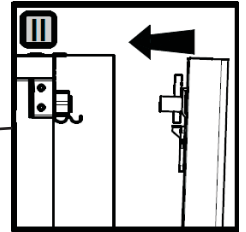
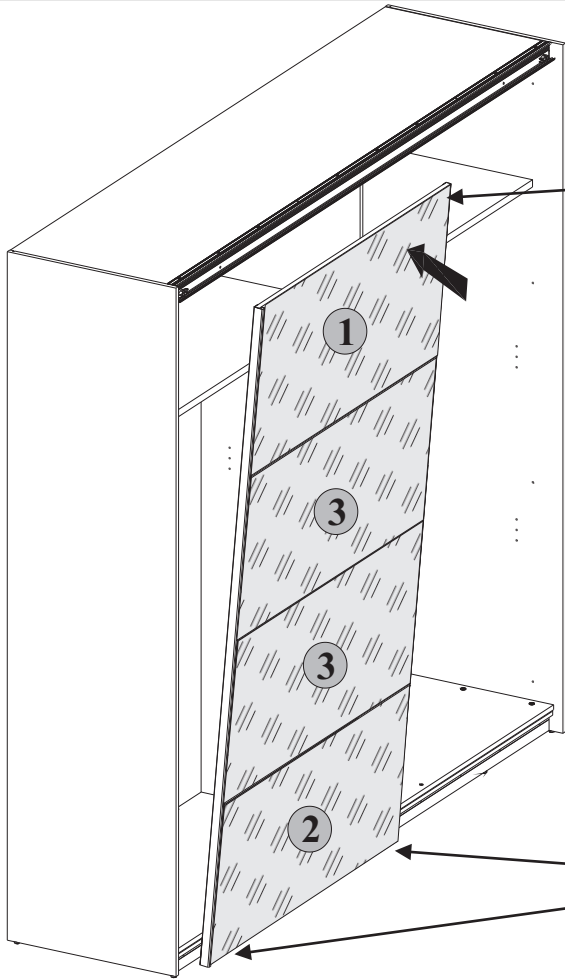


A	B	C	D
1	F27-011	1085x512	3;4/4
2	F27-013	1085x512	3;4/4
3	F27-012	1085x512	3;4/4





3



4

