

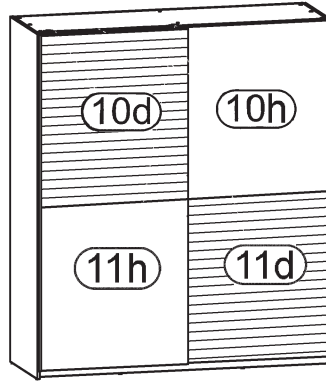
# 58-301

# F27-SZF/170/195/2 F27-SZF/170/195/3

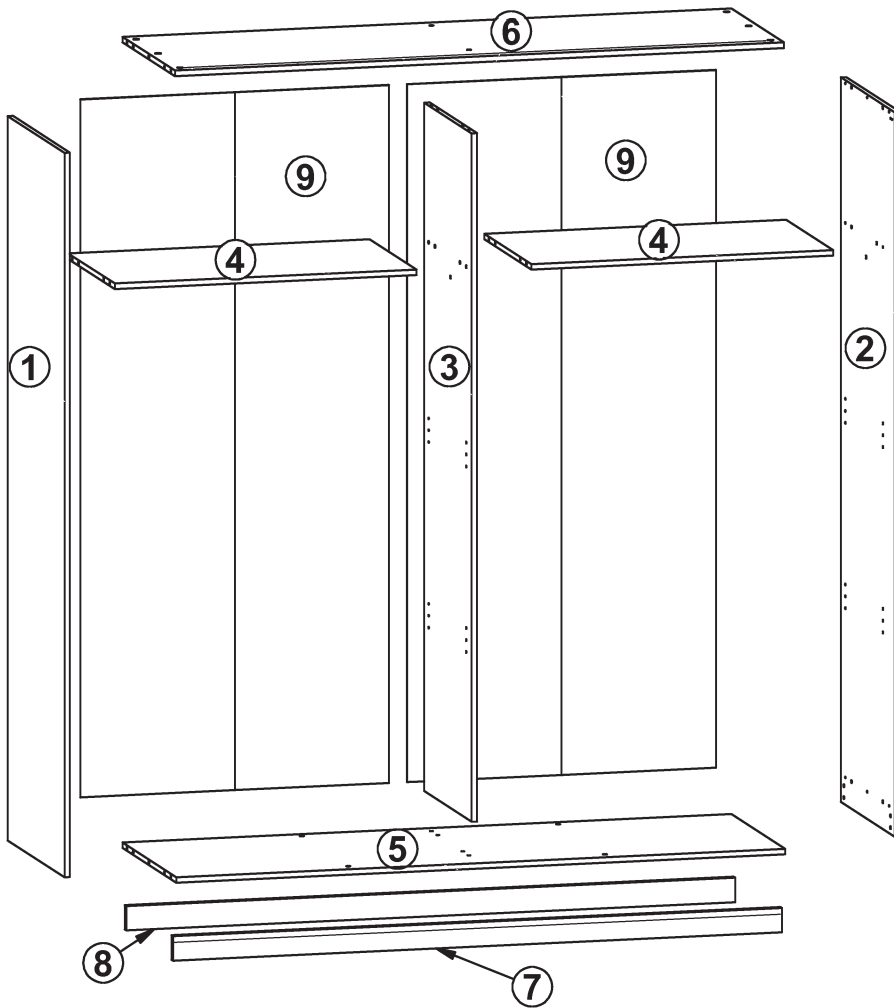
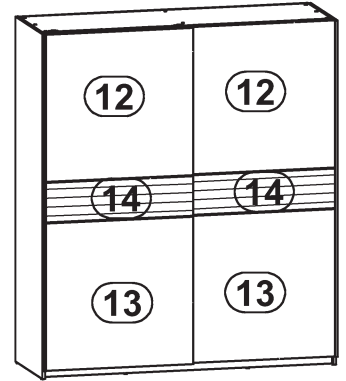
| A | B       | C    | D   |     |
|---|---------|------|-----|-----|
| 1 | F27-104 | 1950 | 580 | 1/3 |
| 2 | F27-105 | 1950 | 551 | 1/3 |
| 3 | F27-106 | 1853 | 485 | 1/3 |
| 4 | F27-307 | 827  | 480 | 2/3 |
| 5 | F27-310 | 1669 | 550 | 2/3 |
| 6 | F27-311 | 1669 | 535 | 2/3 |
| 7 | F27-405 | 1669 | 66  | 2/3 |
| 8 | F27-406 | 1669 | 66  | 2/3 |
| 9 | F27-902 | 1878 | 847 | 1/3 |



## F27-SZF/170/195/2



## F27-SZF/170/195/3

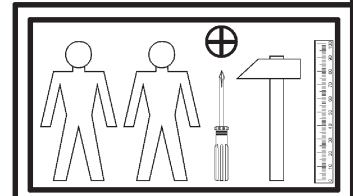


## F27-SZF/170/195/2

| A   | B       | C   | D   |     |
|-----|---------|-----|-----|-----|
| 10h | F27-507 | 950 | 861 | 3/3 |
| 10d | F27-507 | 950 | 861 | 3/3 |
| 11h | F27-508 | 950 | 861 | 3/3 |
| 11d | F27-508 | 950 | 861 | 3/3 |

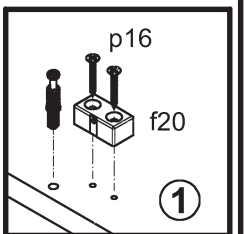
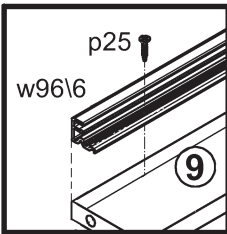
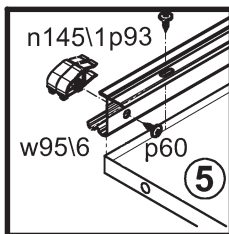
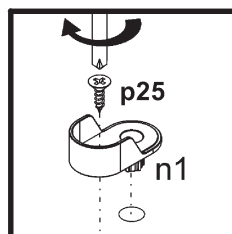
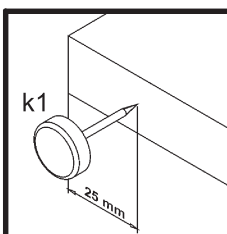
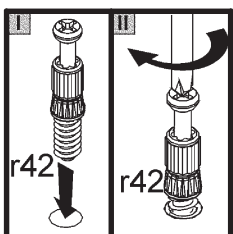
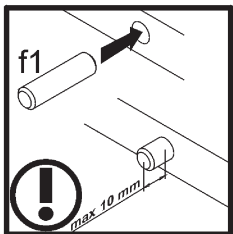
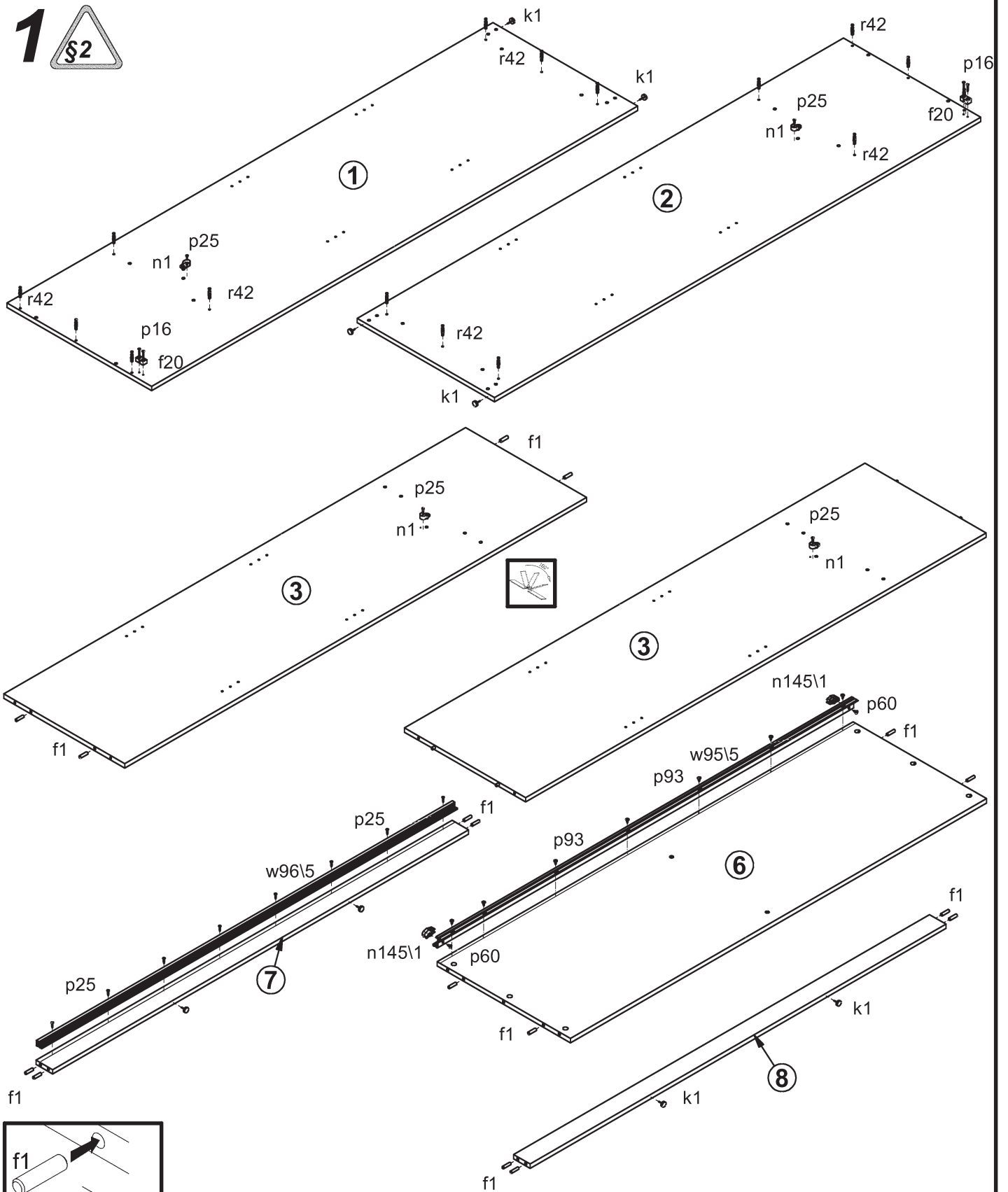
## F27-SZF/170/195/3

| A  | B       | C   | D   |     |
|----|---------|-----|-----|-----|
| 12 | F27-512 | 835 | 861 | 3/3 |
| 13 | F27-513 | 835 | 861 | 3/3 |
| 14 | F27-514 | 861 | 230 | 3/3 |

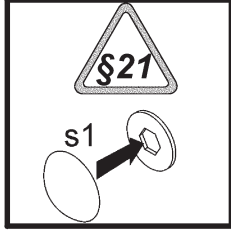
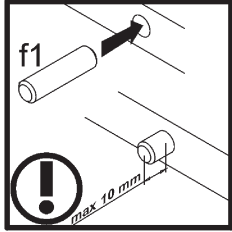
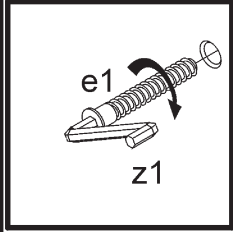
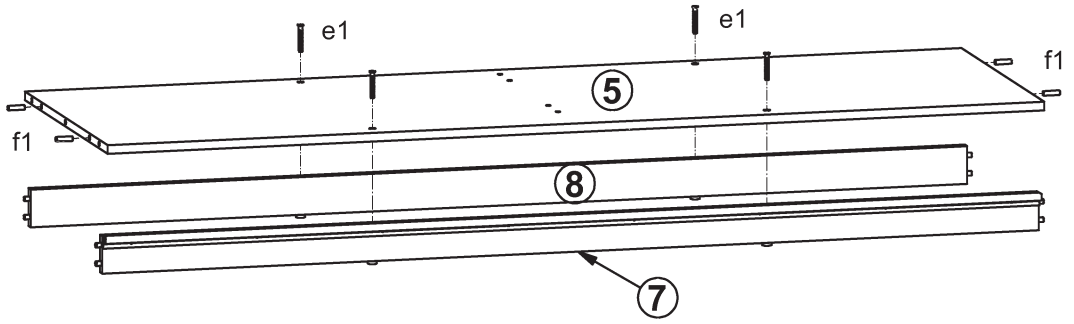


|                            |                       |                       |                           |                         |                         |                         |                          |                        |
|----------------------------|-----------------------|-----------------------|---------------------------|-------------------------|-------------------------|-------------------------|--------------------------|------------------------|
| 2x<br>dr-821               | 8x<br>e1<br>Ø7x50 mm  | 28x<br>f1<br>Ø8x30 mm | 2x<br>f20                 | 8x<br>k1                | 50x<br>l1               | 4x<br>n1                | 2x<br>n142               | 2x<br>n143             |
| 1x<br>n144                 | 2x<br>n146            | 2x<br>n147            | 4x<br>n76                 | 2x<br>n145              | 4x<br>p16<br>Ø3.5x25 mm | 32x<br>p19<br>Ø4x16 mm  | 13x<br>p25<br>Ø3.5x16 mm | 79x<br>p93<br>Ø4x13 mm |
| 20x<br>r1<br>Ø15x12 mm #16 | 2x<br>r10             | 16x<br>r42            | 9x<br>n108<br>20x13x3.5/1 | 9x<br>p55<br>Ø2.9x16 mm | 2x<br>w118/3<br>1900 mm | 2x<br>w118/4<br>1900 mm | 1x<br>w95/5<br>1668 mm   | 1x<br>w96/5<br>1668 mm |
| 1x<br>z1                   | 2x<br>p60<br>Ø4x22 mm | 4x<br>s1              | 8x<br>s2<br>Ø16           |                         |                         |                         |                          |                        |

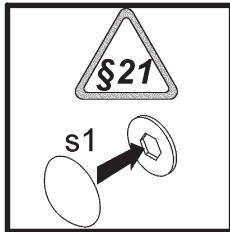
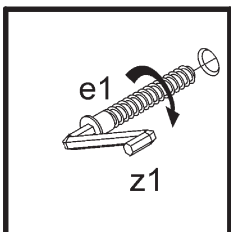
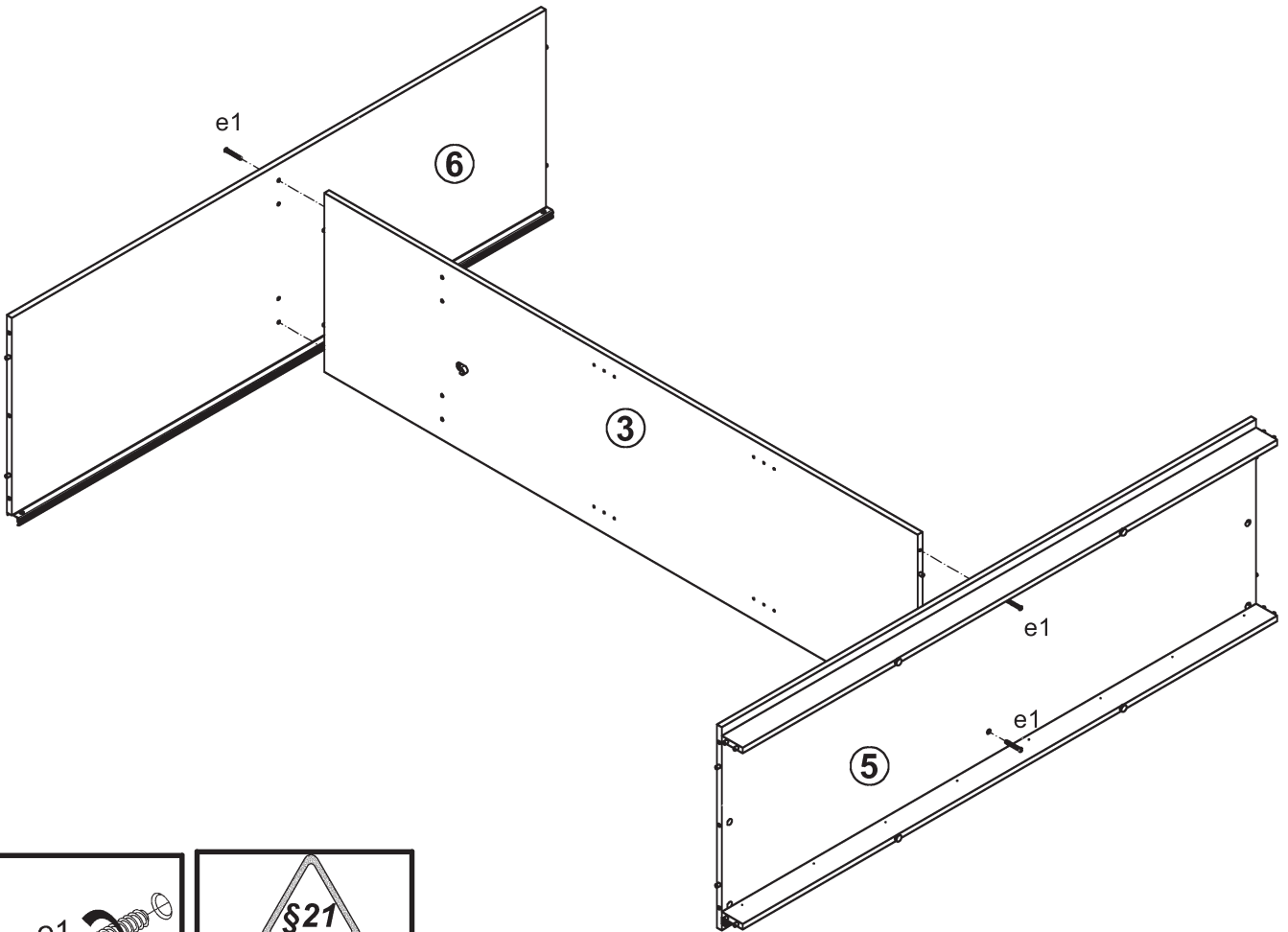
# 1

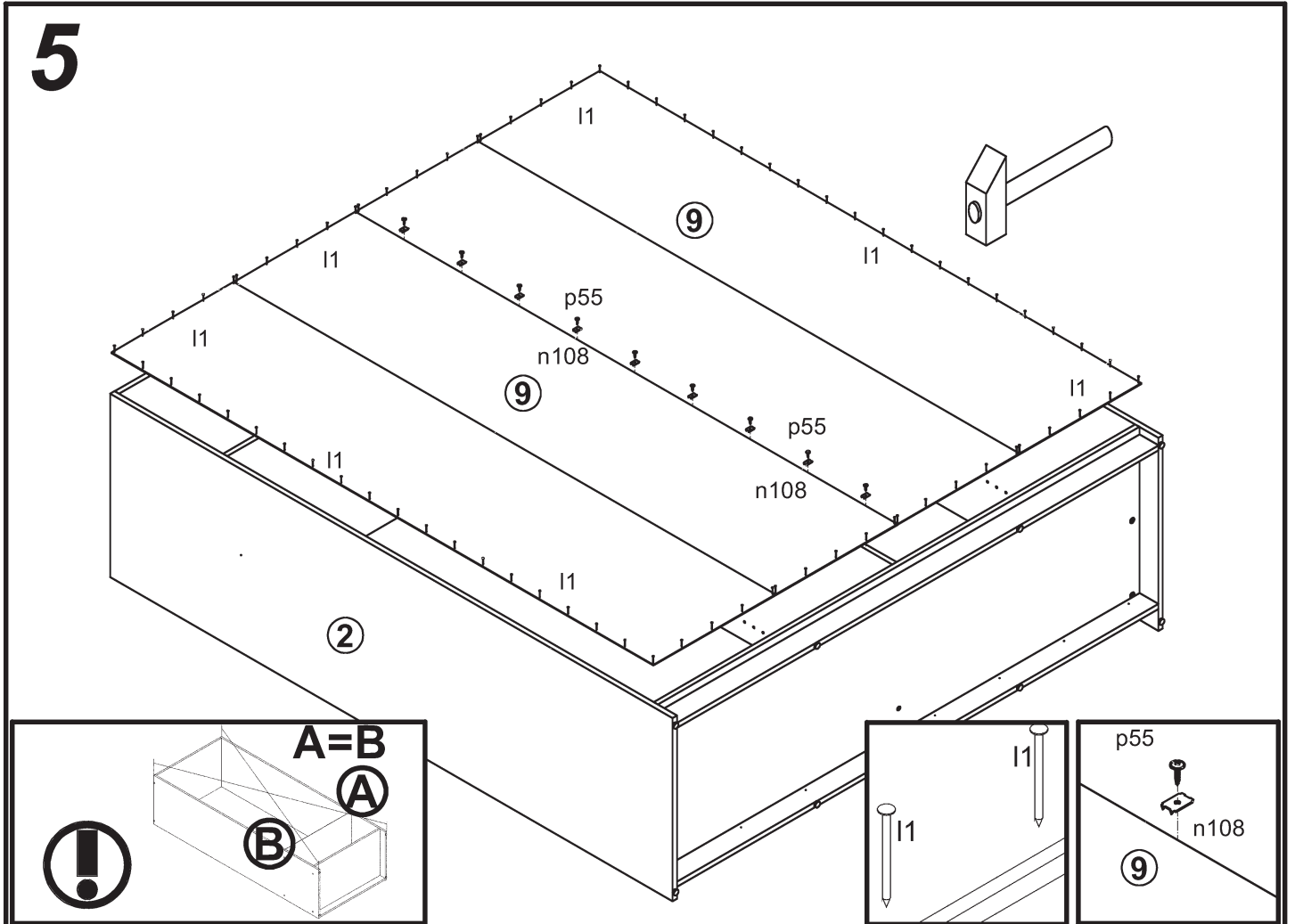
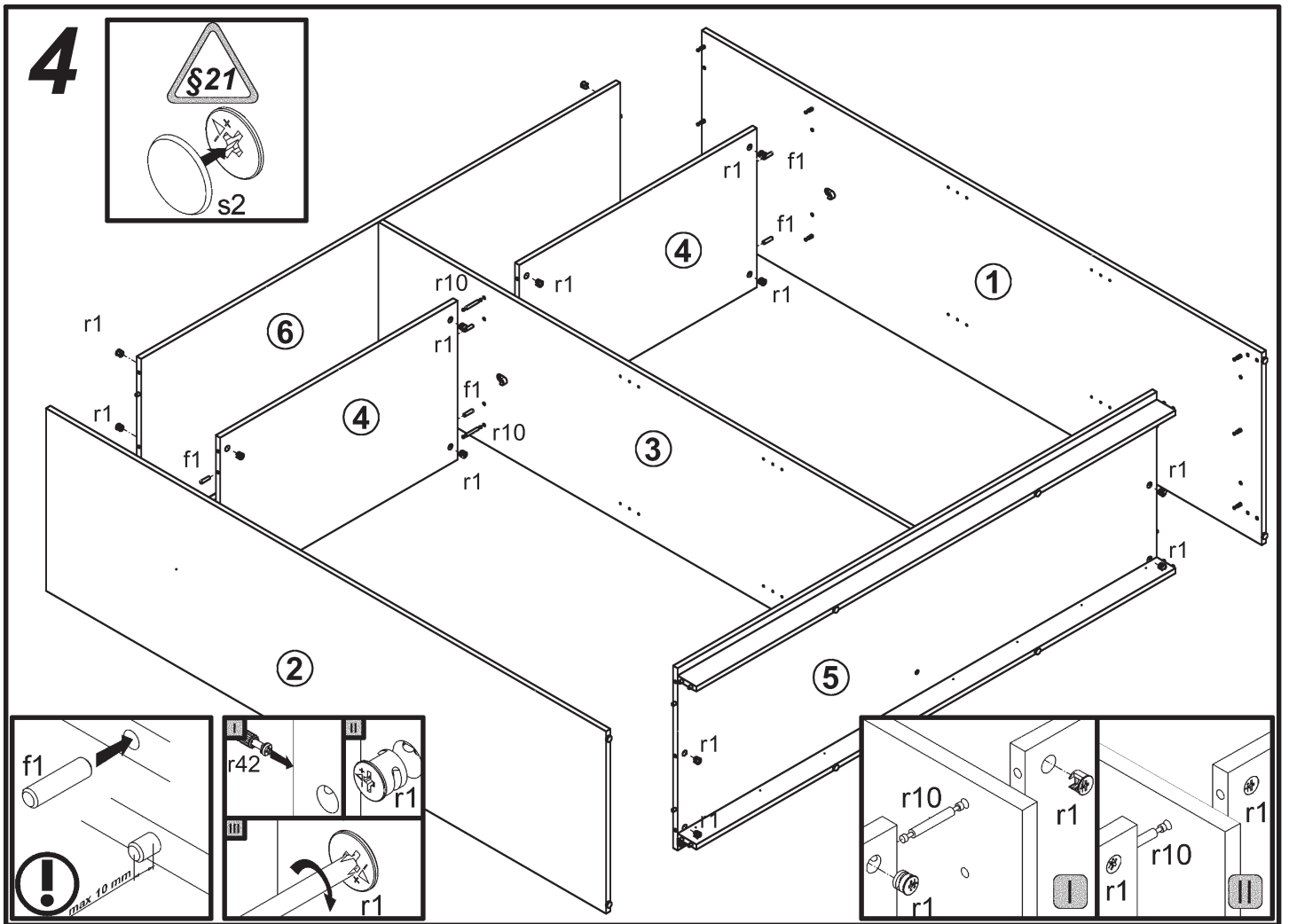


# 2



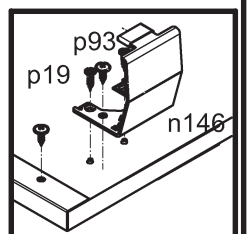
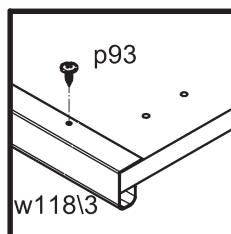
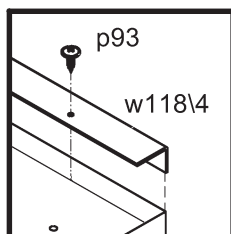
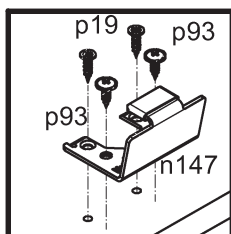
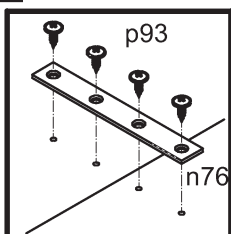
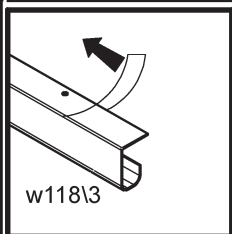
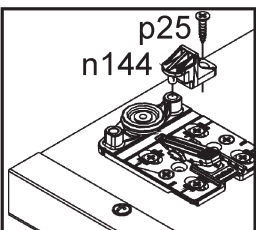
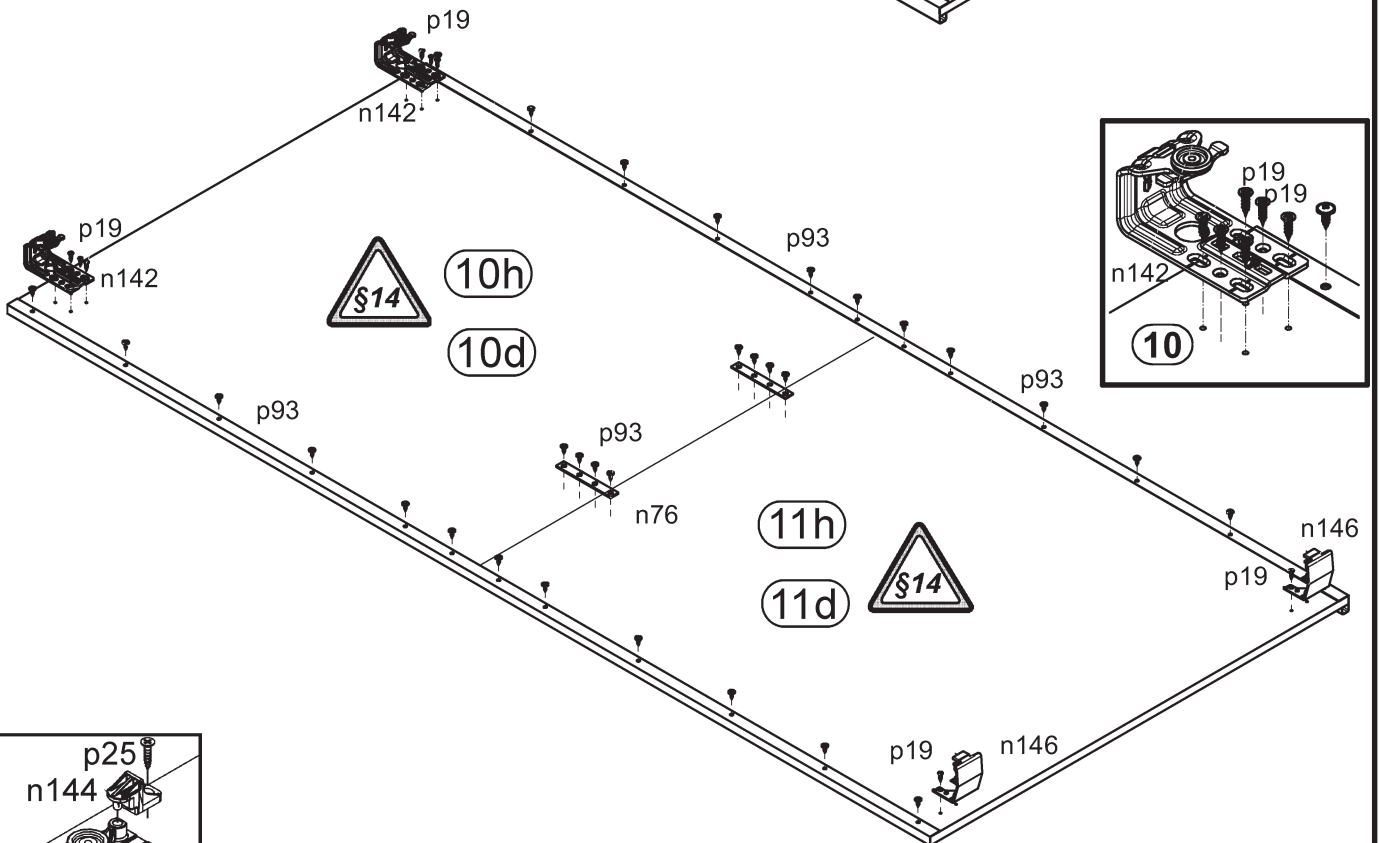
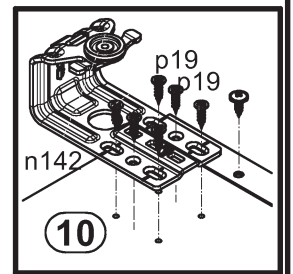
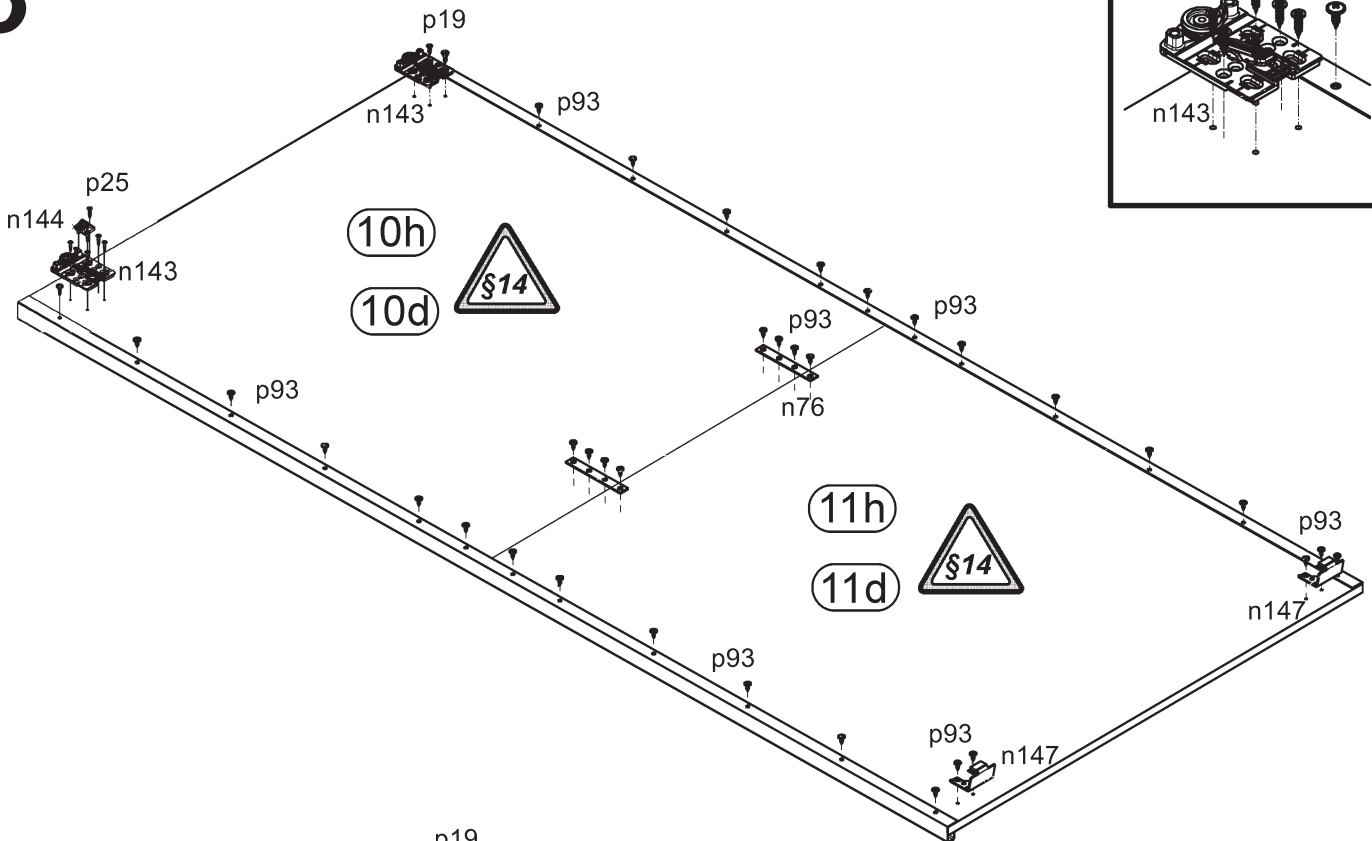
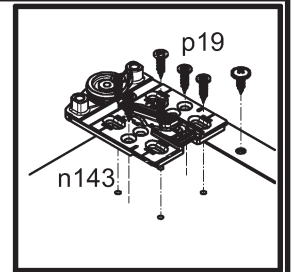
# 3



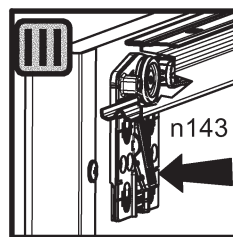
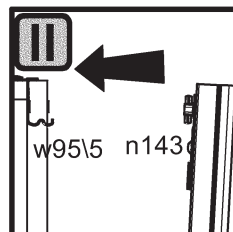
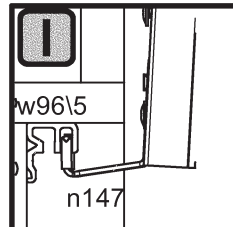
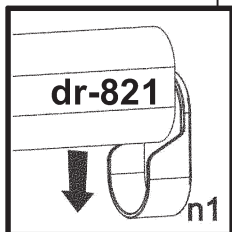
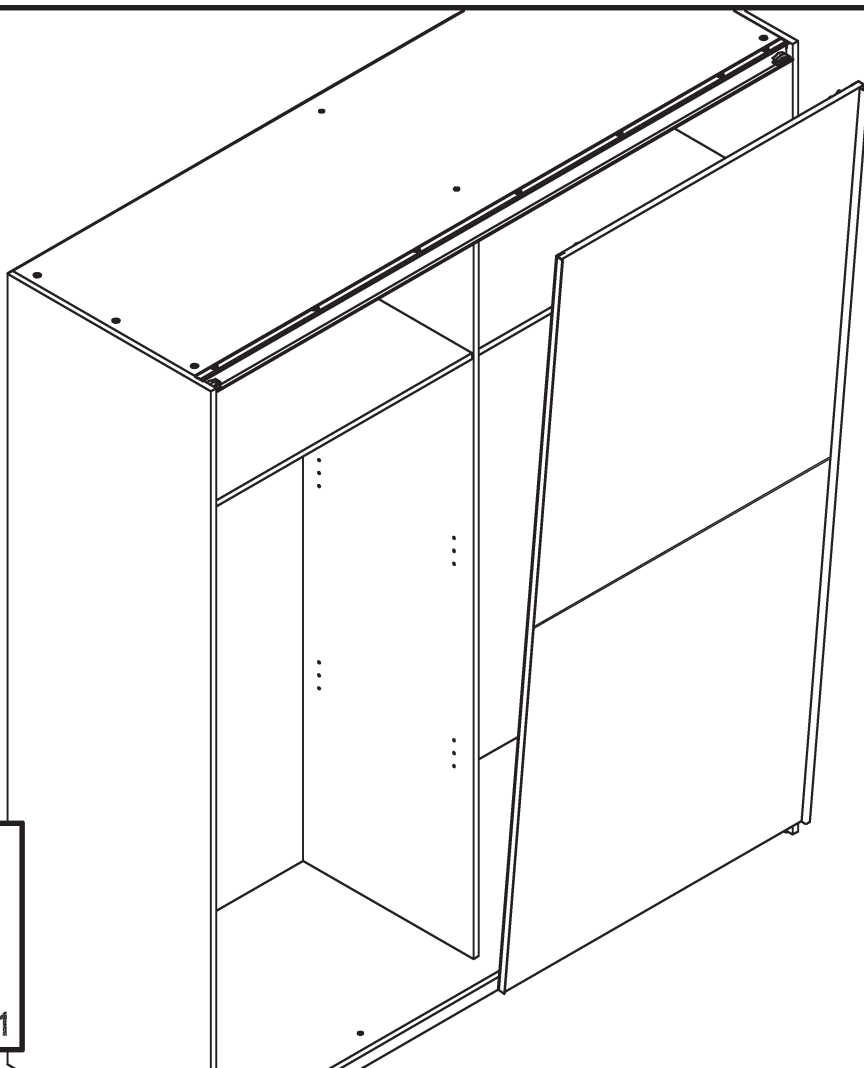


# 8

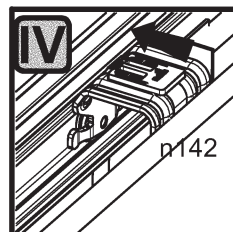
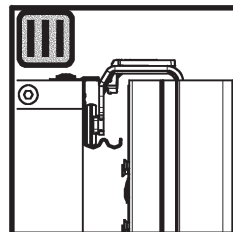
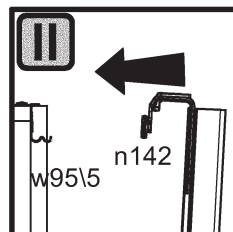
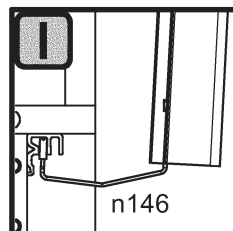
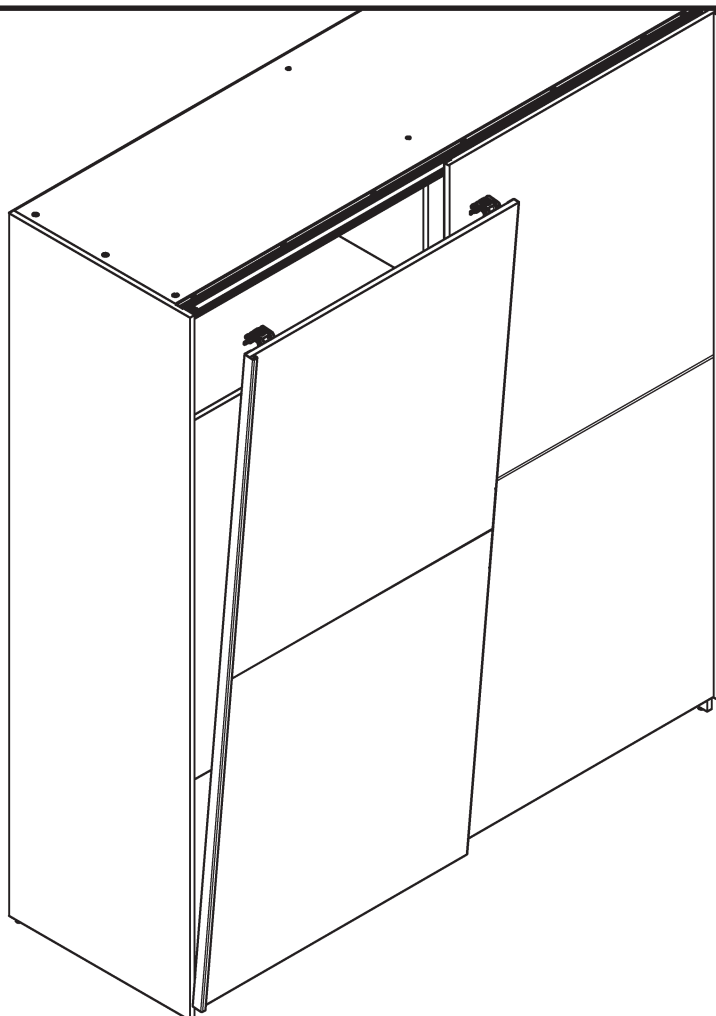
## F27-SZF/170/195/2



# 9

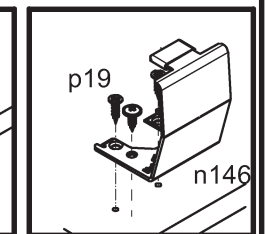
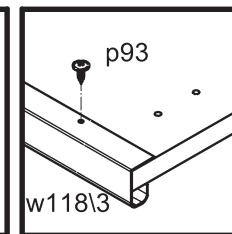
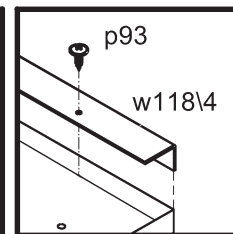
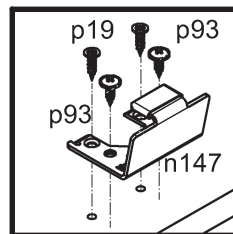
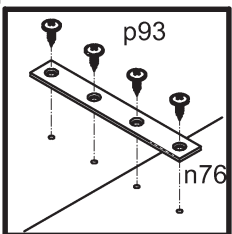
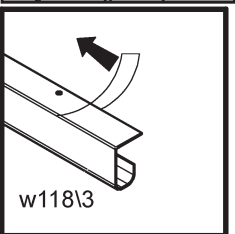
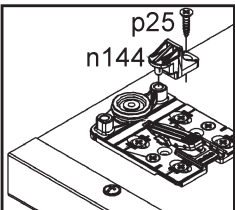
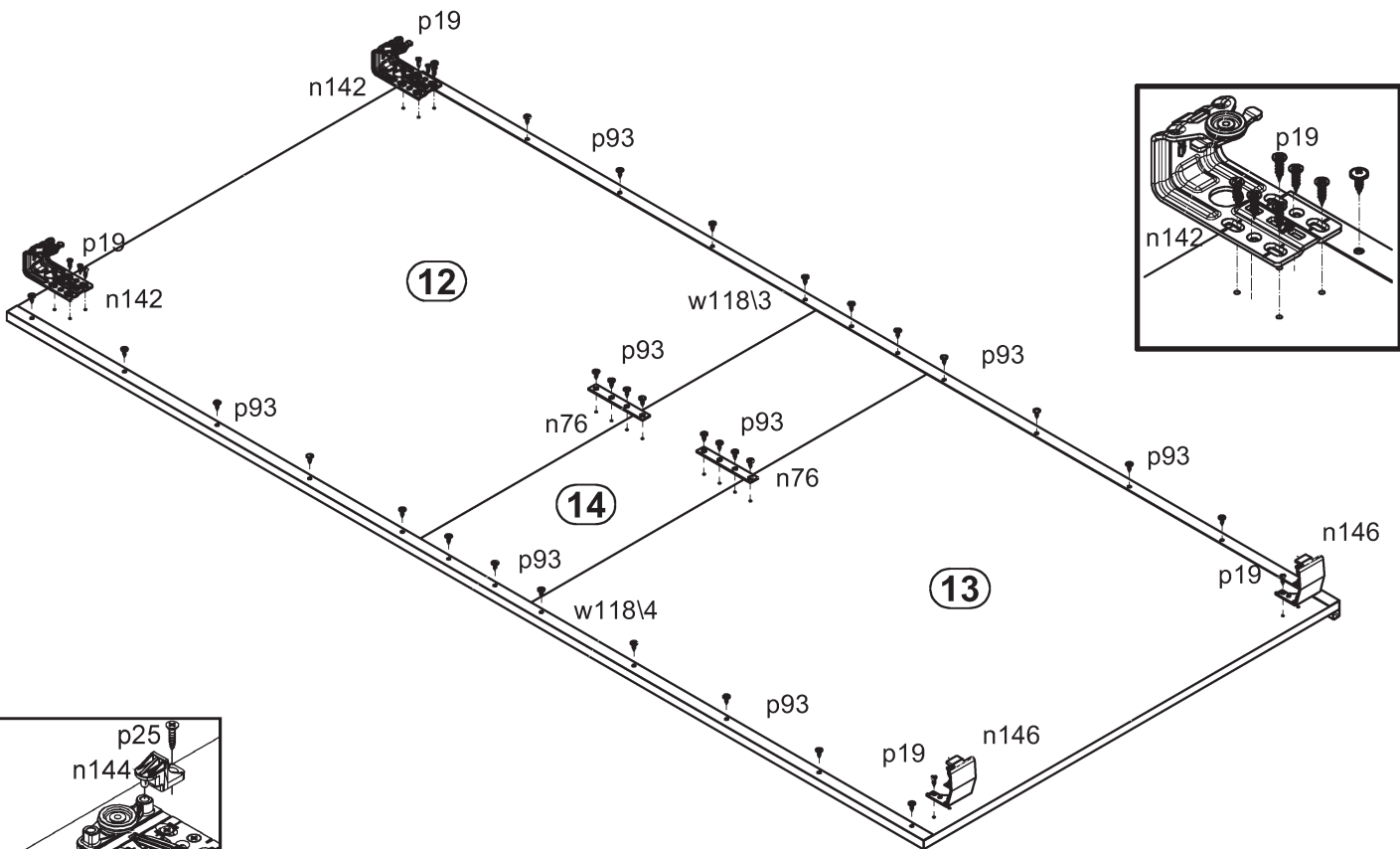
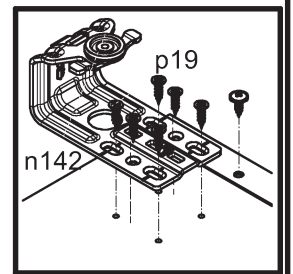
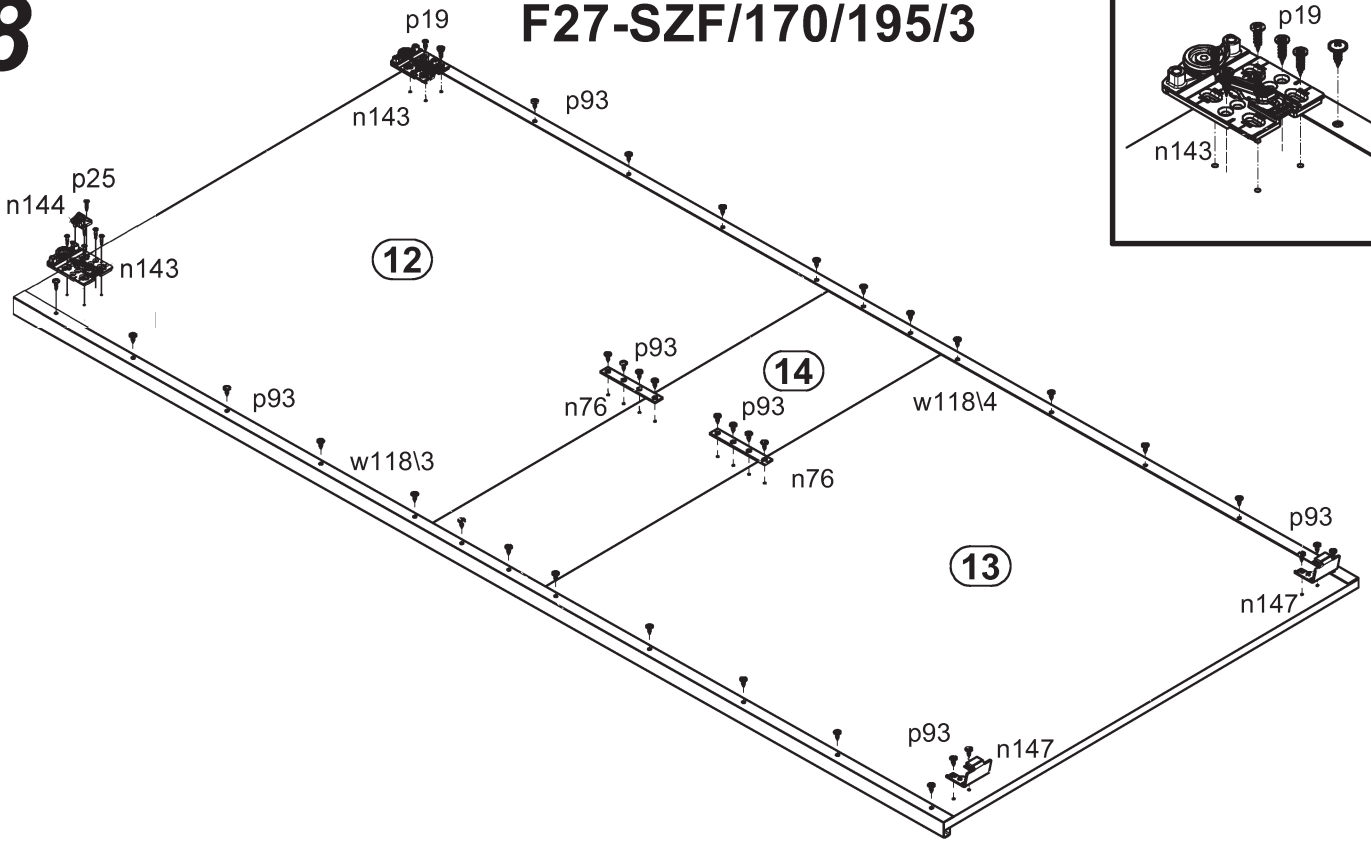
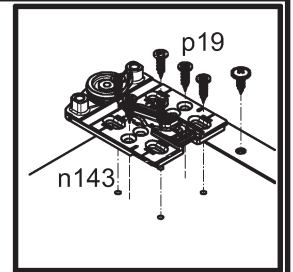


# 10

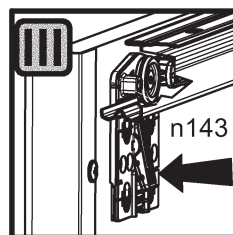
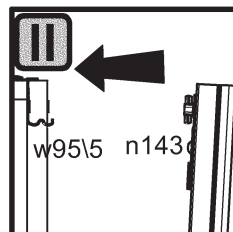
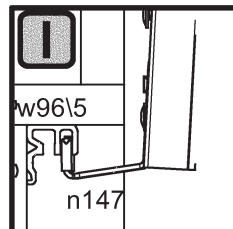
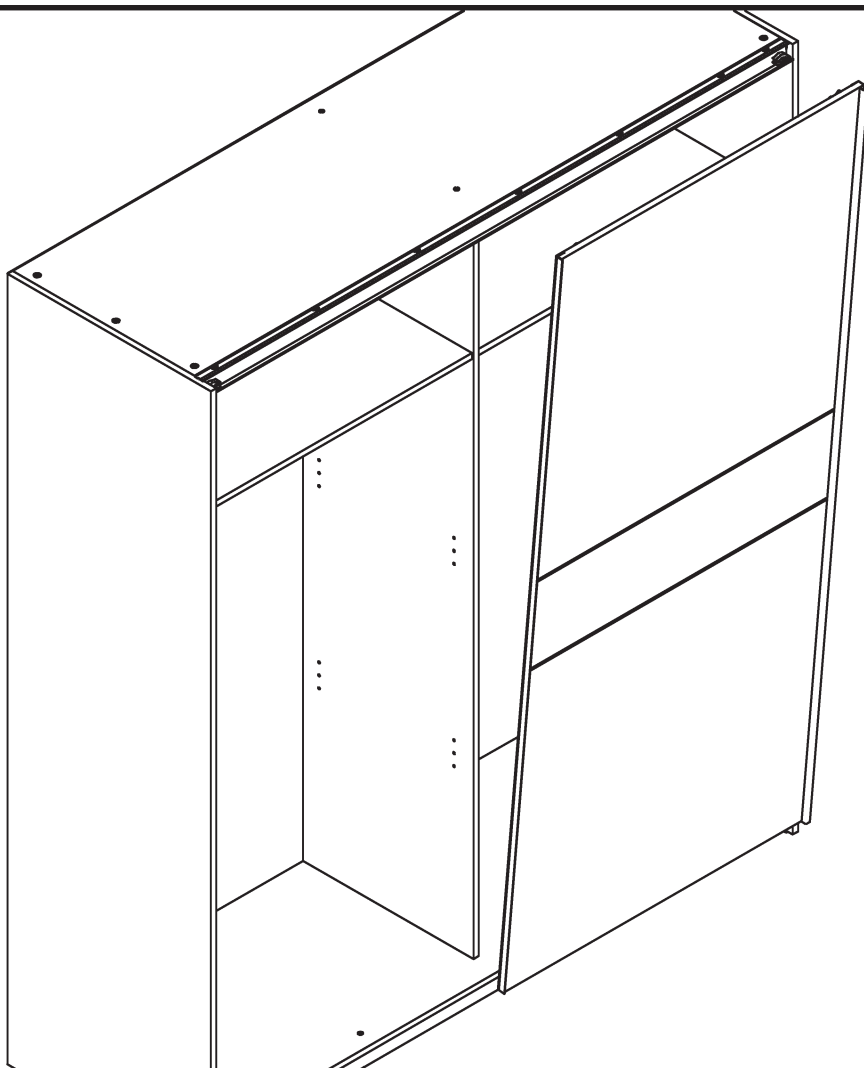


# 8

## F27-SZF/170/195/3



# 9



# 10

