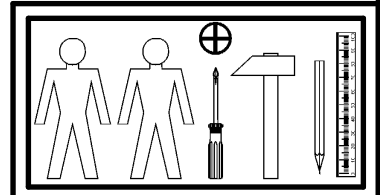
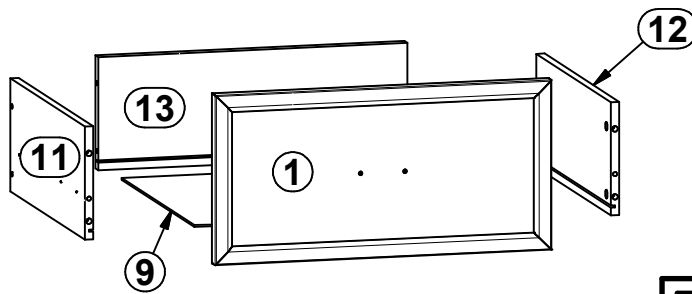
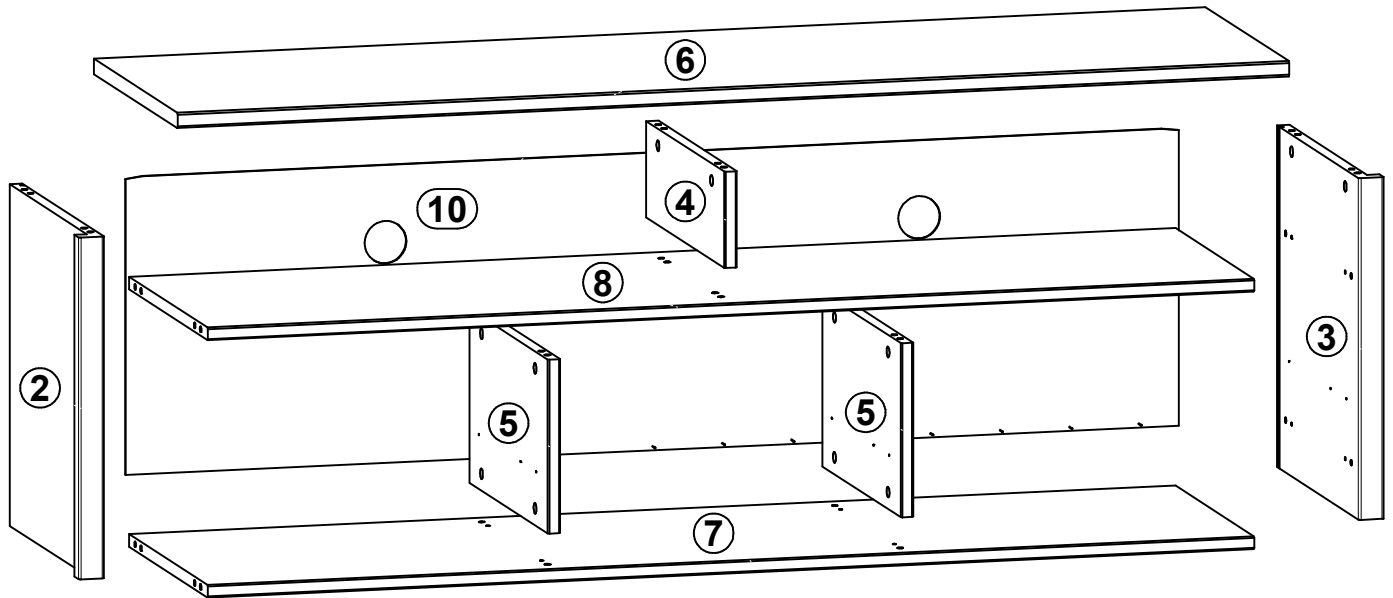
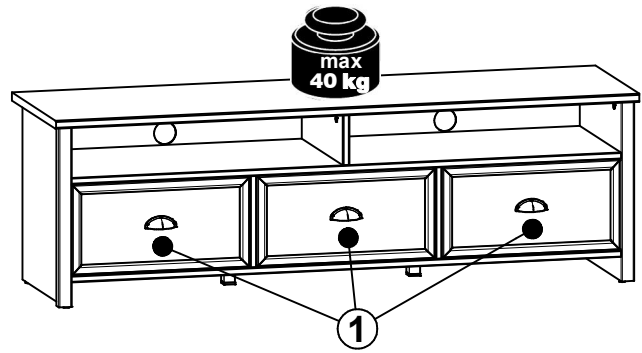
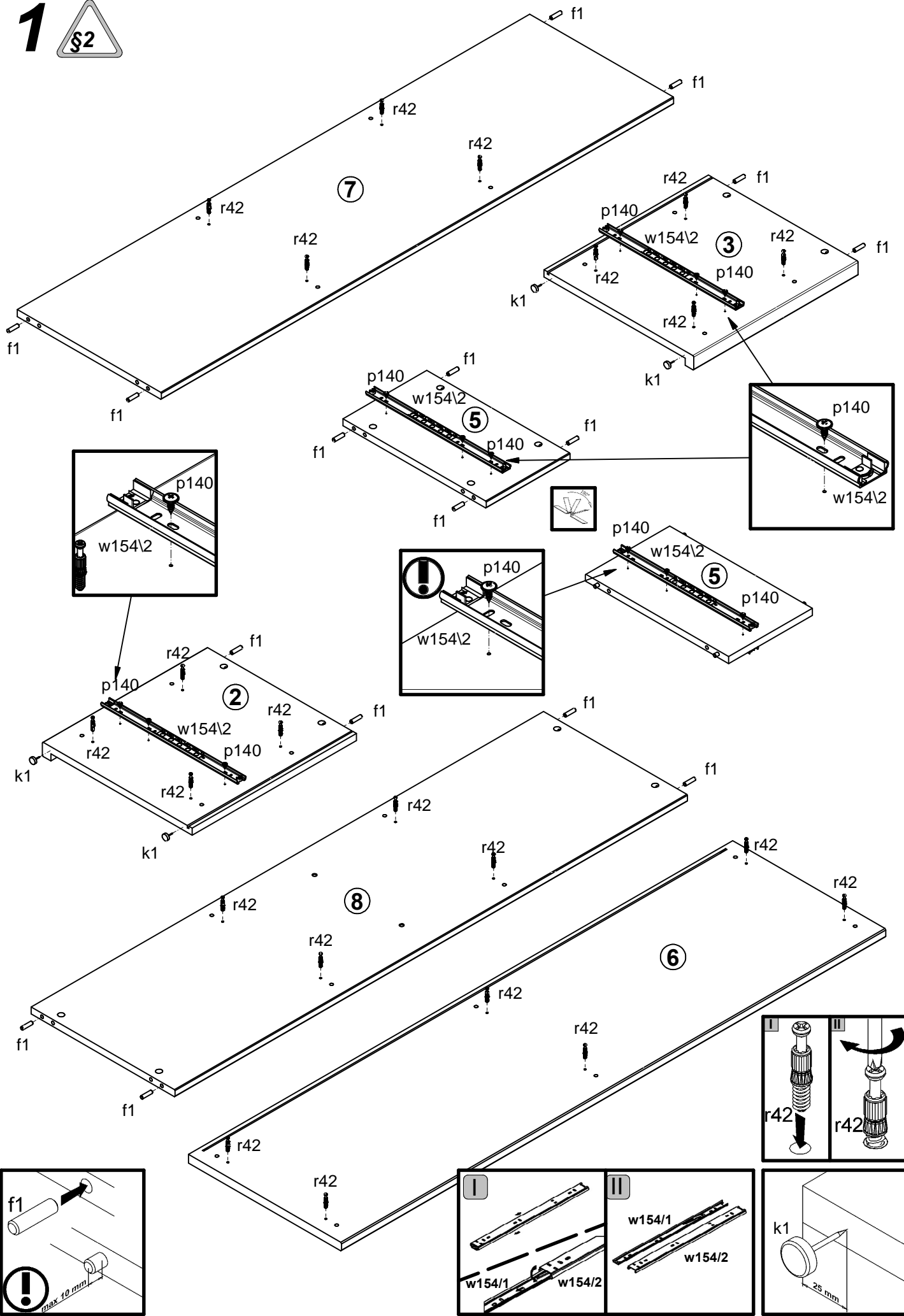


| A | B | C | D | |
|----|-----------|------|------|-----|
| 1 | S351-0010 | 484 | 240 | 3/3 |
| 2 | S351-1013 | 483 | 440 | 1/3 |
| 3 | S351-1014 | 483 | 440 | 1/3 |
| 4 | S351-1015 | 136 | 421 | 2/3 |
| 5 | S351-1016 | 246 | 421 | 1/3 |
| 6 | S351-2005 | 1600 | 450 | 2/3 |
| 7 | S351-3011 | 1506 | 423 | 2/3 |
| 8 | S351-3012 | 1506 | 423 | 2/3 |
| 9 | S351-9001 | 455 | 393 | 1/3 |
| 10 | S351-9006 | 421 | 1516 | 2/3 |
| 11 | ZK1-515 | 400 | 160 | 1/3 |
| 12 | ZK1-516 | 400 | 160 | 1/3 |
| 13 | ZS1-6562 | 445 | 160 | 1/3 |

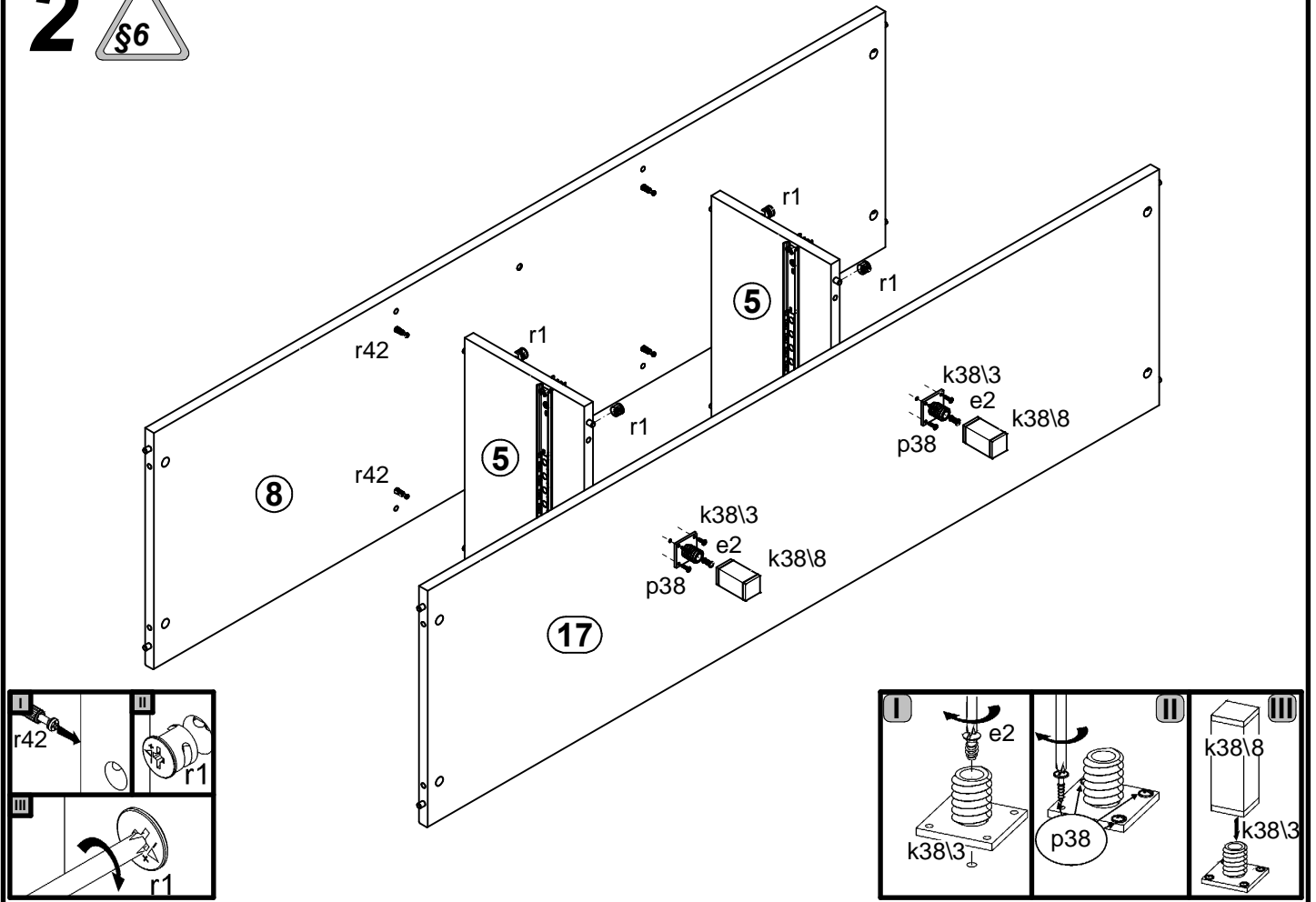


| | | | | | | | | |
|-----------------------------------|-----------------------------|-------------------------------|----------------------------------|---------------------------------|-----------------------------------|--------------------------------------|--------------------------------|--------------------------------------|
| 3x 64 mm c434 | 2x Ø7x50 mm e1 | 2x Ø6.3x13 mm e2 | 24x Ø8x30 mm f1 | 12x Ø6.5x40 mm f25 | 6x Ø6x30 mm f9 | 6x M4x10 mm j106 | 4x k1 | 2x 42.5x42.5x4 mm k38\3 |
| 2x 30x30x60 mm k38\8 | 35x l1 | 6x l2 | 36x Ø3.5x12 mm p140 | 8x Ø3.5x16 mm p38 | 22x Ø15x12 mm #16 r1 | 12x Ø12x10.5 mm #12 r15 | 34x 20\11 r42 | 6x 400\670 mm w154\1 |
| 6x 400\670 mm w154\2 | 8x Ø16 s2 | | | | | | | |
| | | | | | 1x 4 mm z1 | 1x n26\1 | 1x Ø3.5x16 mm p38 | |

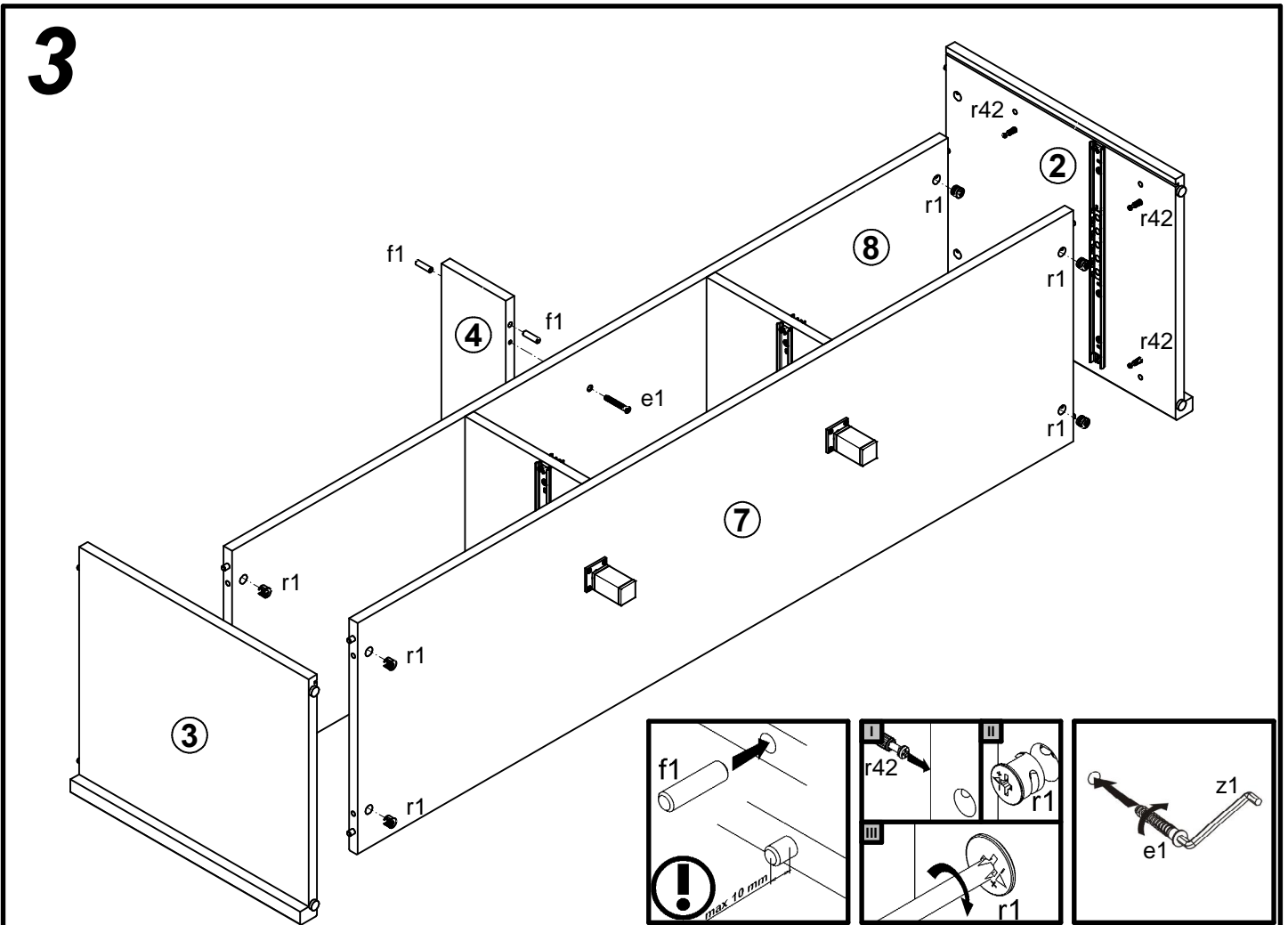
1 



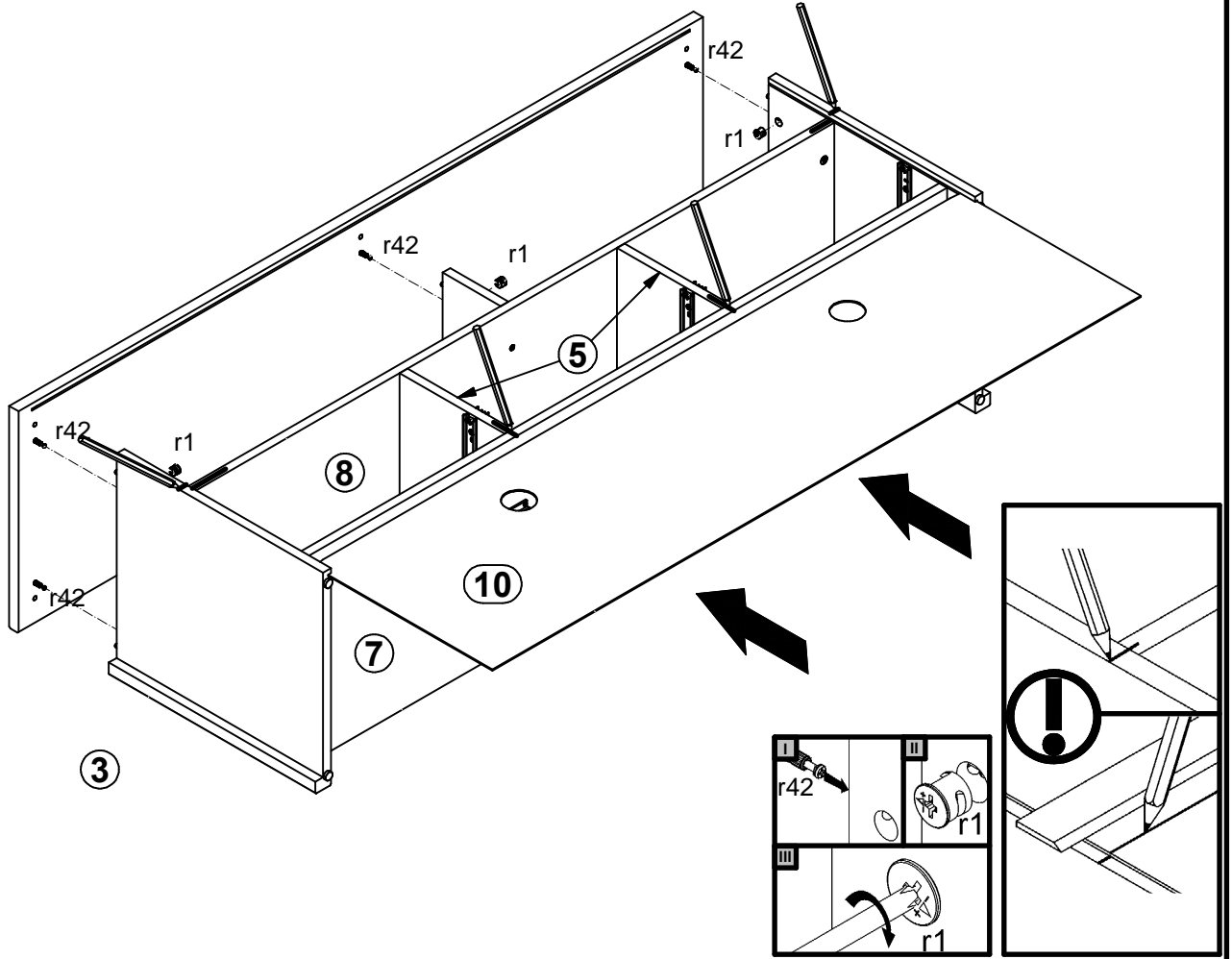
2



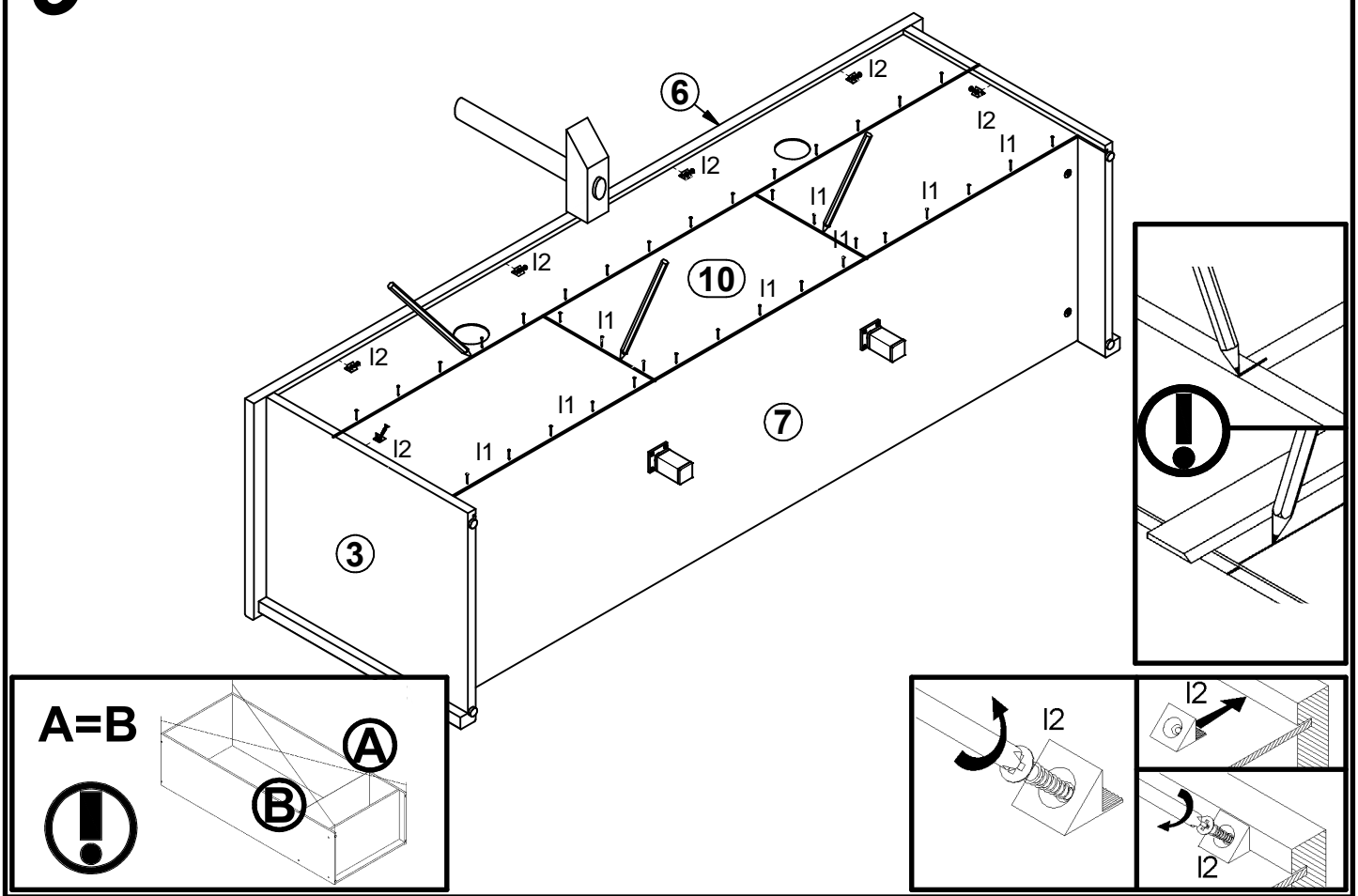
3



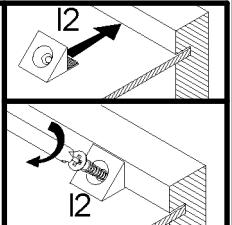
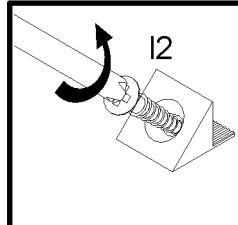
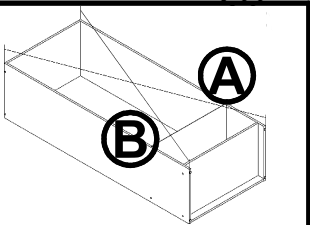
4



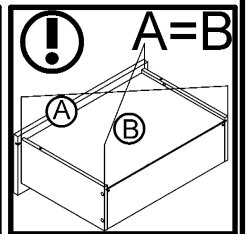
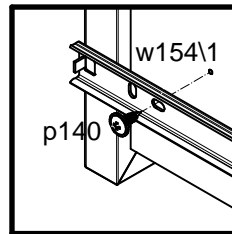
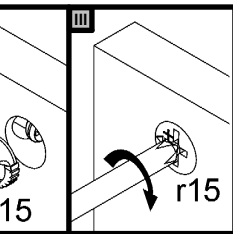
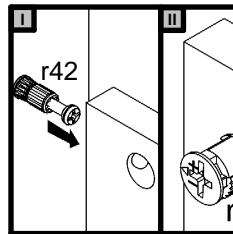
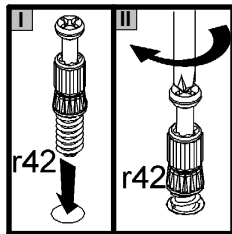
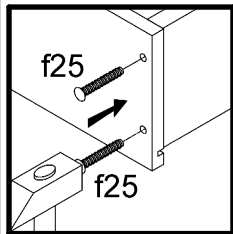
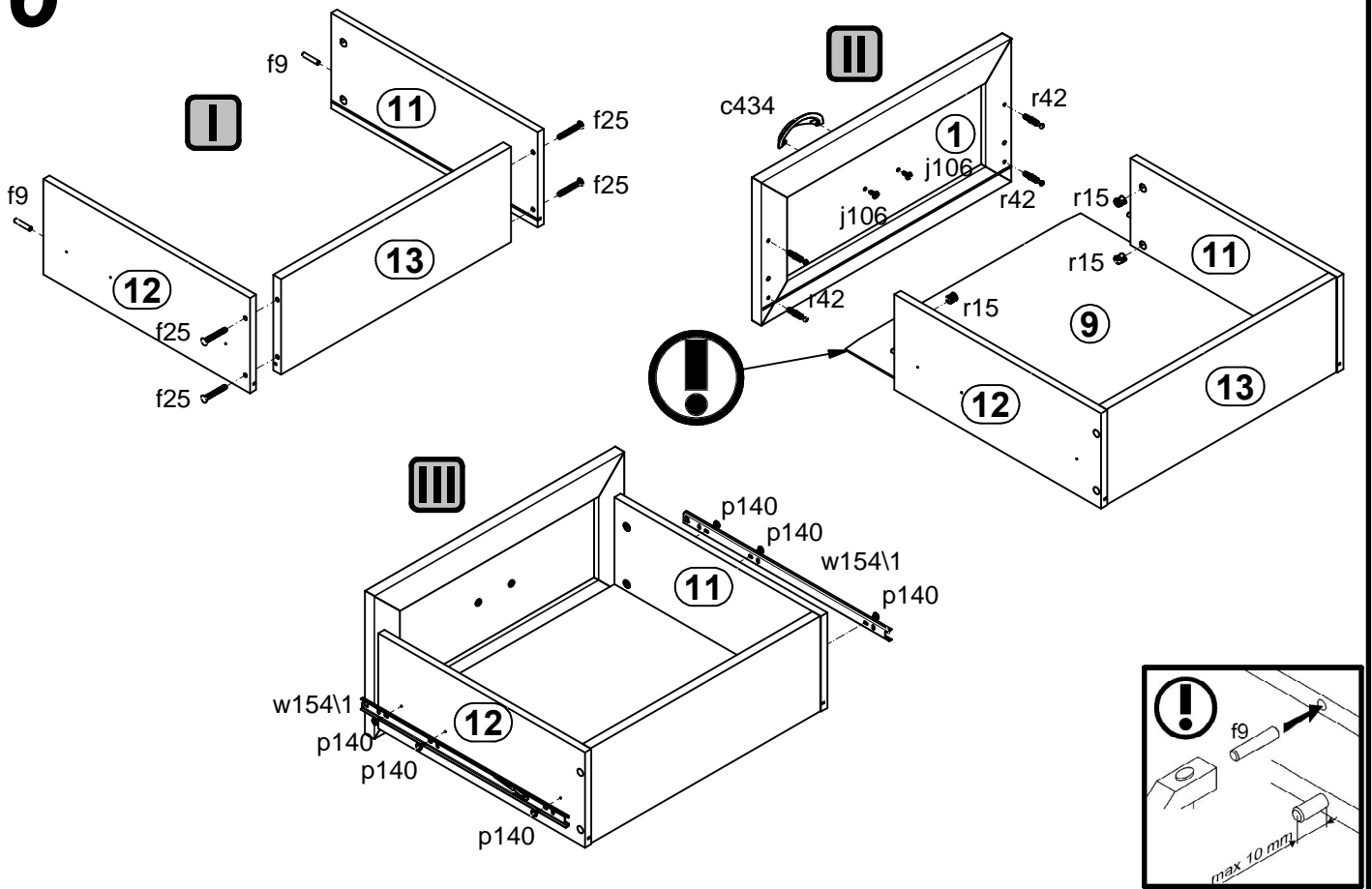
5



A=B



6



7

