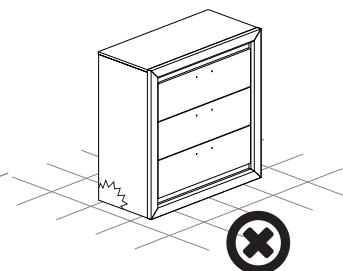
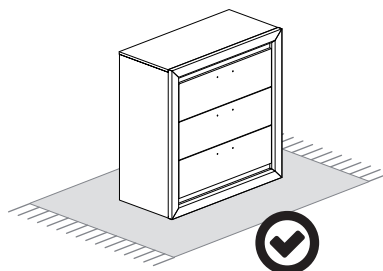
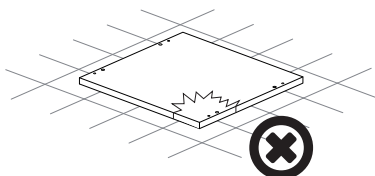
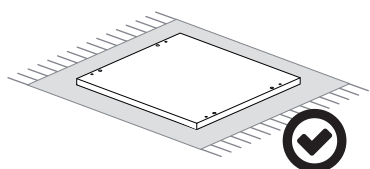
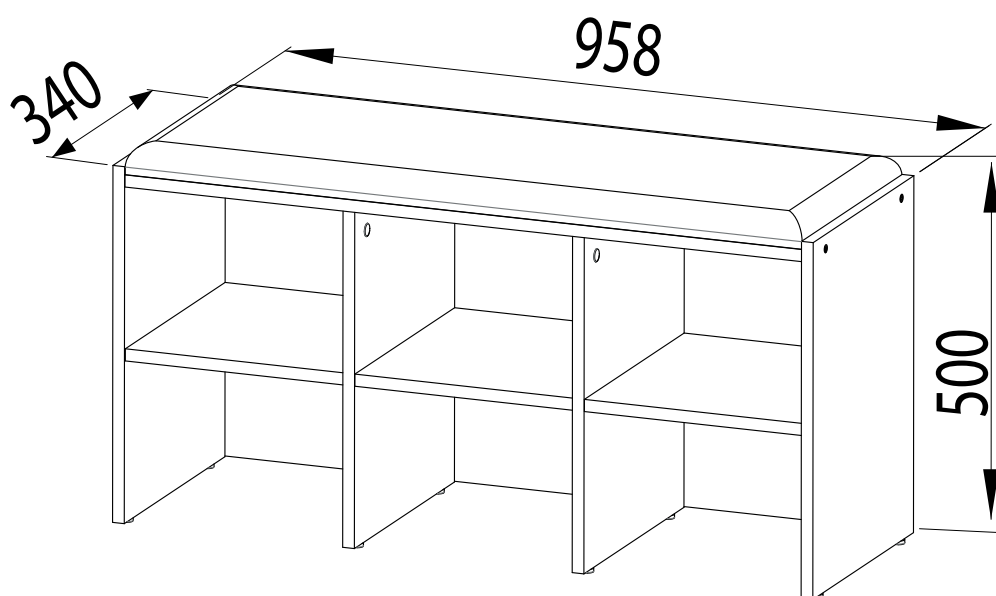
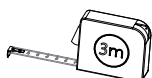
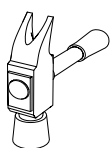
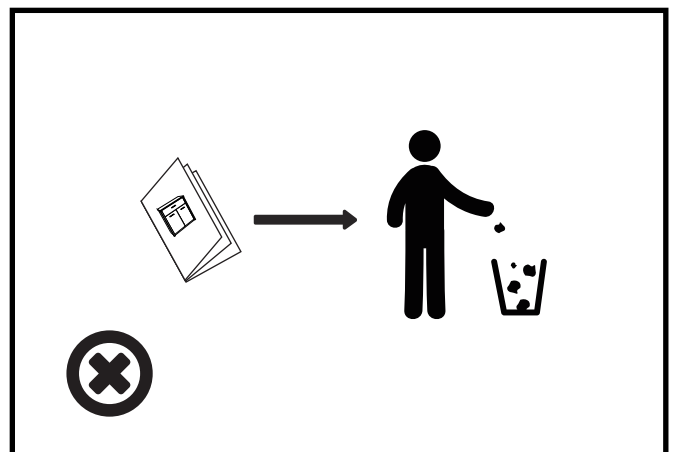
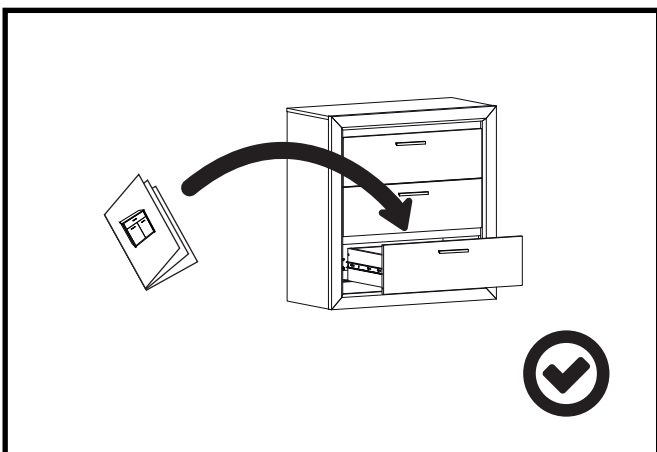
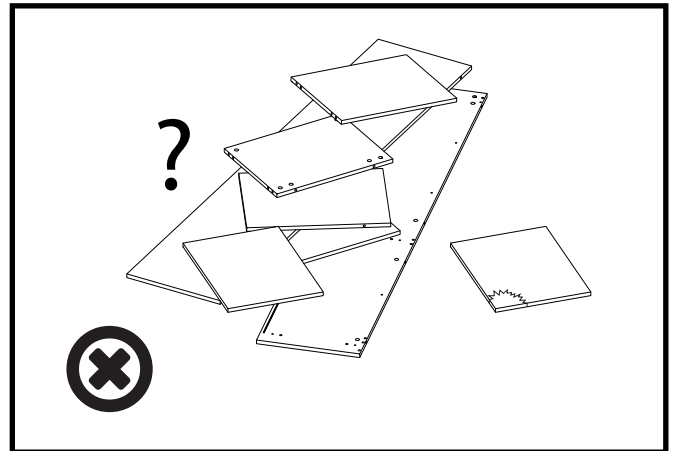
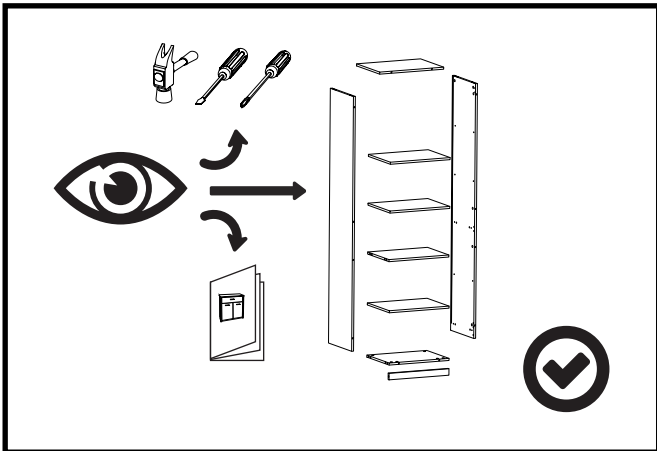
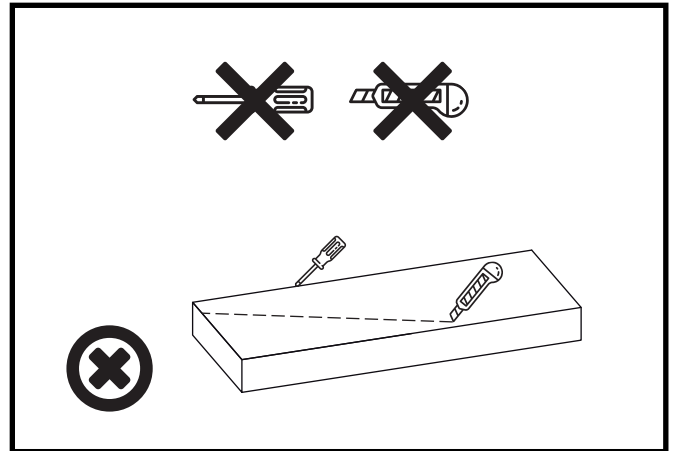
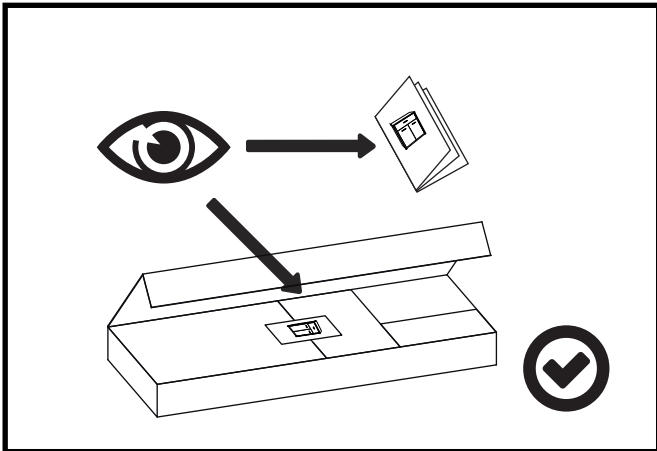
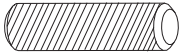
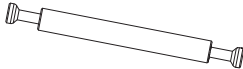
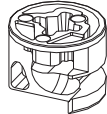
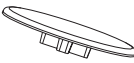
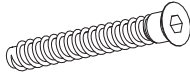



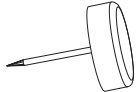
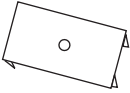



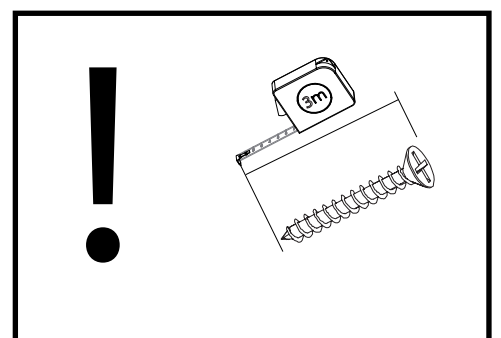
ORLANDO 05

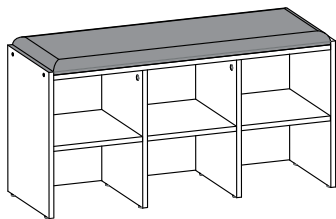







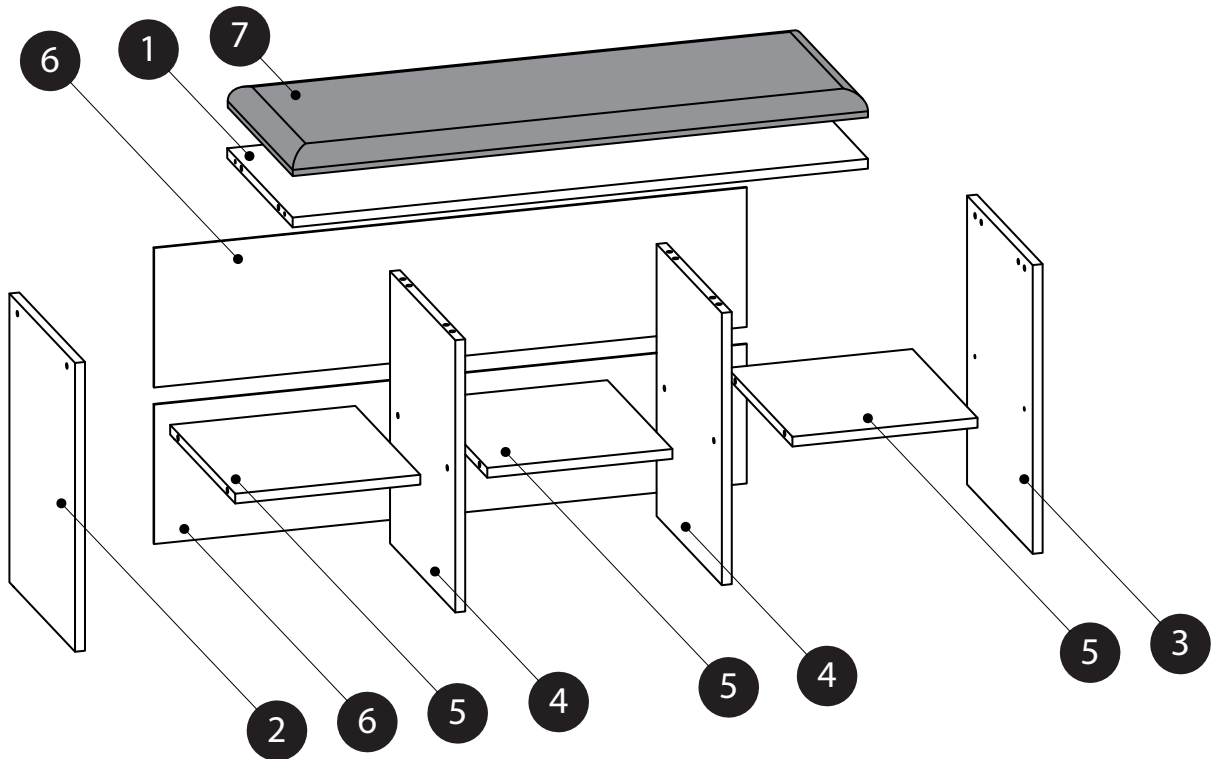
ORLANDO 05

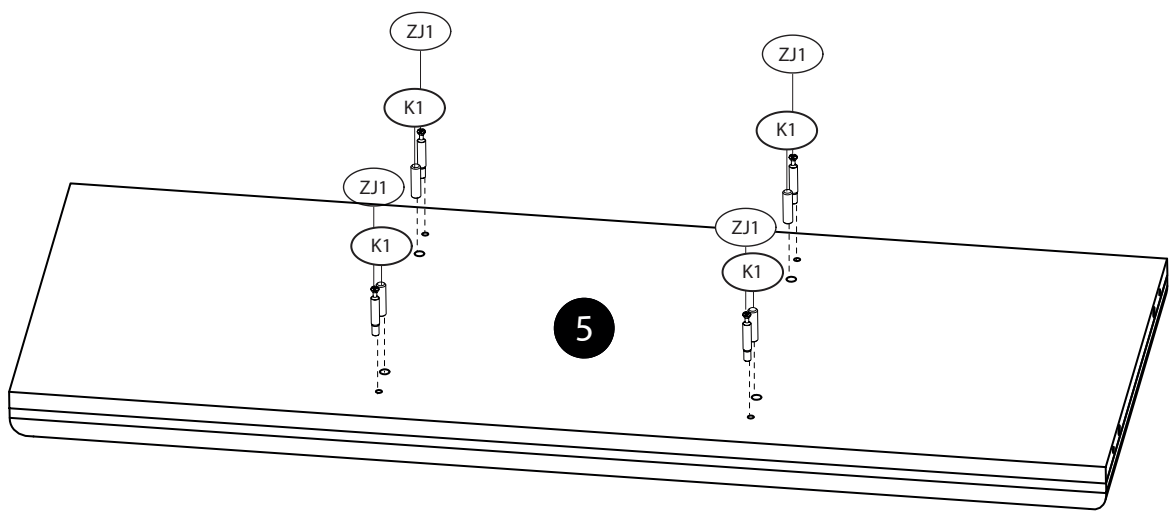
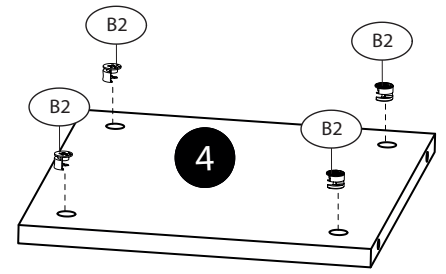
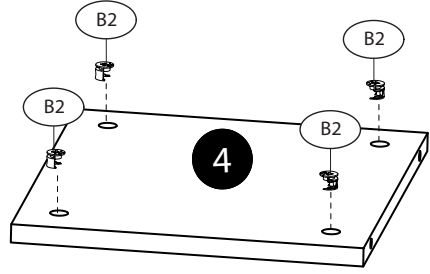
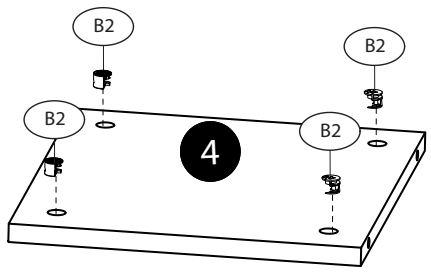
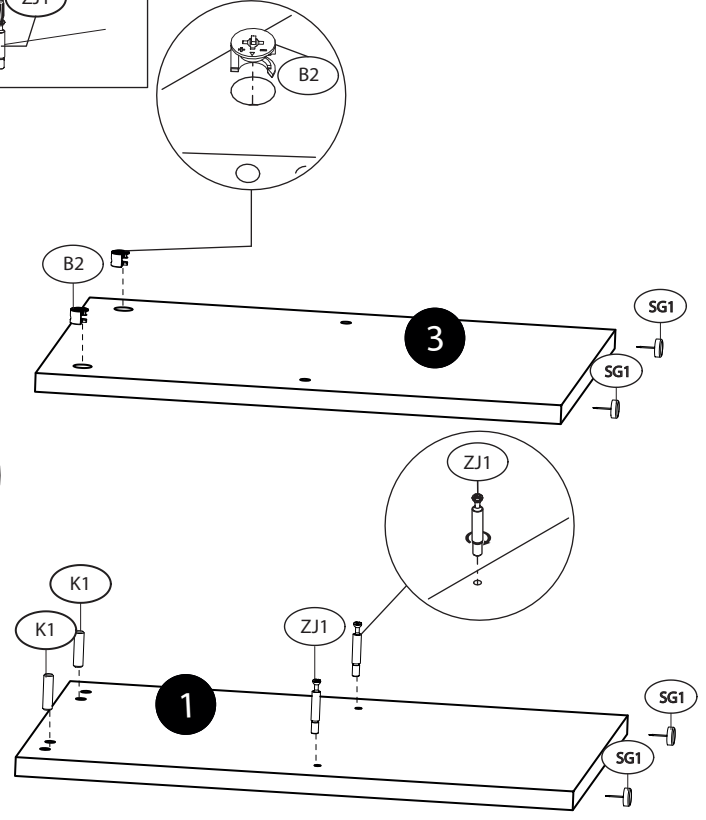
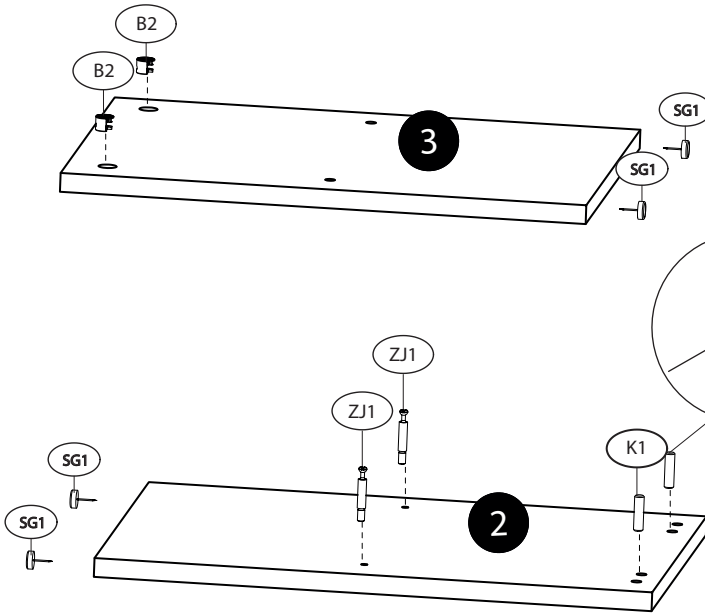
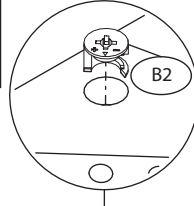
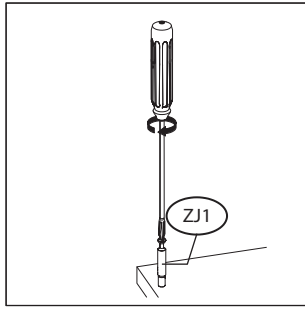
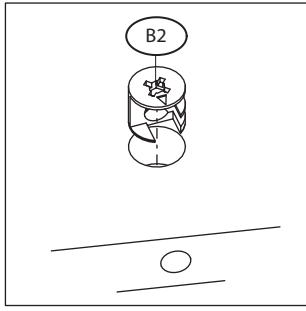
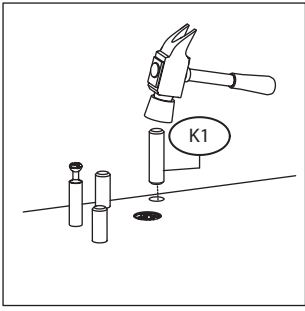
K1 x 8 	ZD2 x 4 L-76 	B2 x 16 
ZM1 x 16 	KT1 x 4 6,3x50 	x 1 
ZJ1 x 8 	GW1 x 32 	SG1 x 8 
ZJ1 x 6 	ZS1 x 4 	



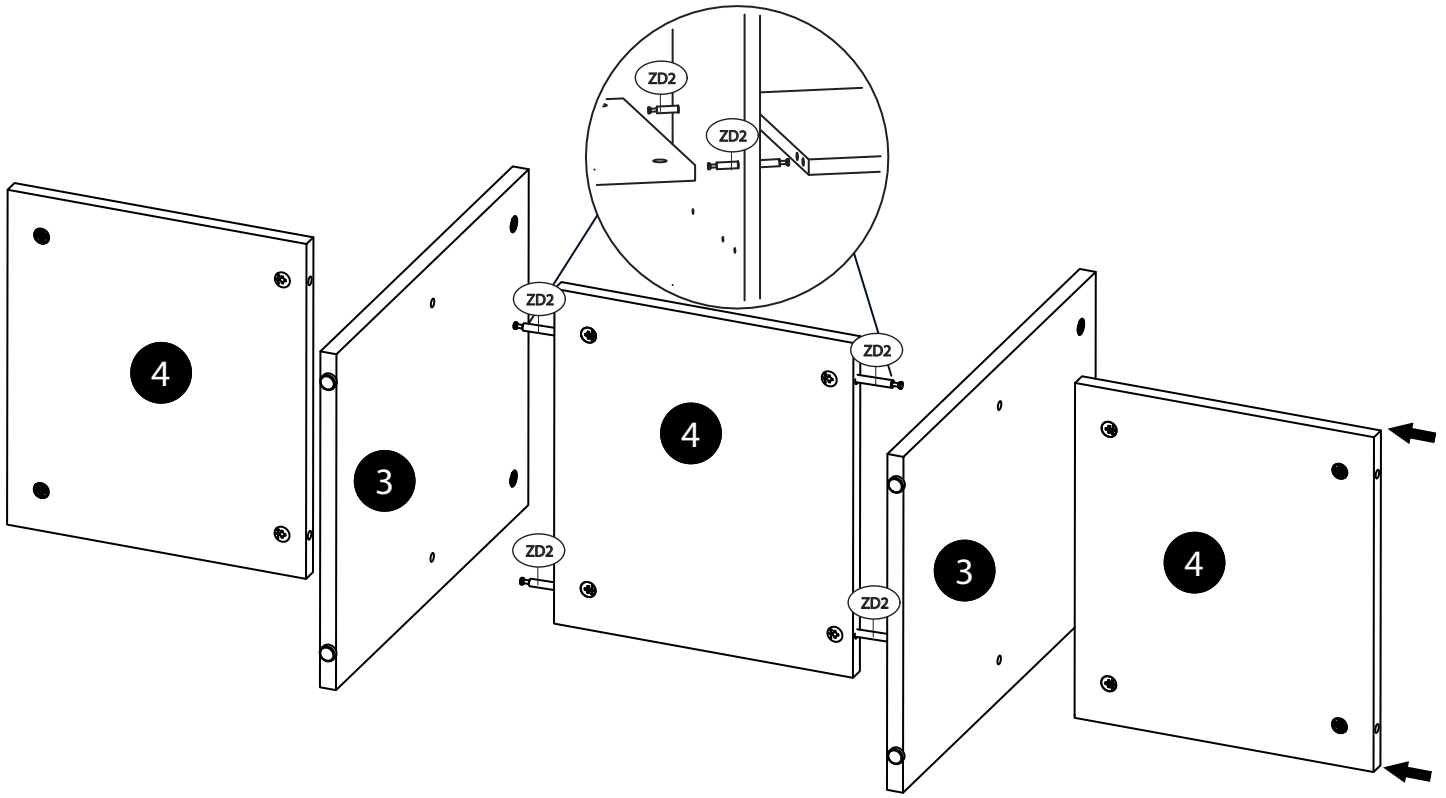
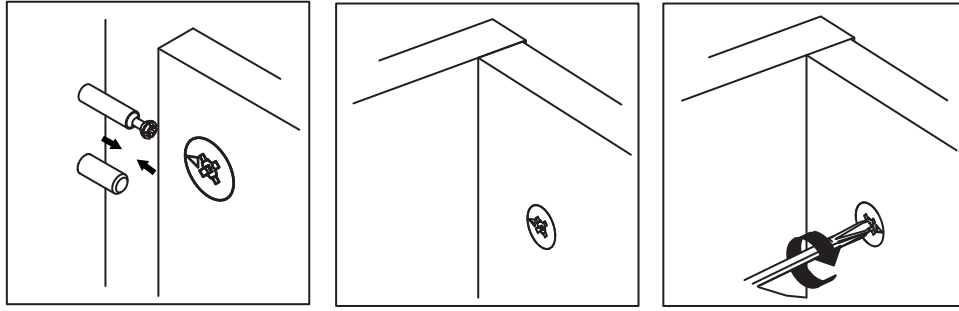


	CODE			
①	ORLANDO05_01	926	339	1
②	ORLANDO05_02	470	340	1
③	ORLANDO05_03	470	340	1
④	ORLANDO05_04	443	338	2
⑤	ORLANDO05_05	298	337	3
⑥	ORLANDO05HDF_01	954	227	2
⑦	SIEDZISKO	926	339	1





A ▶



B ▶

