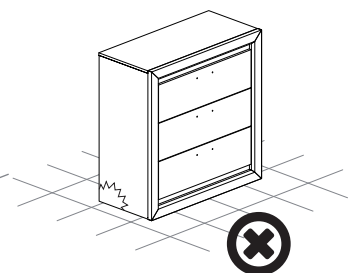
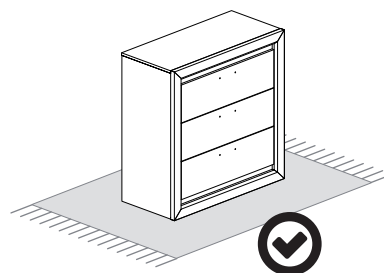
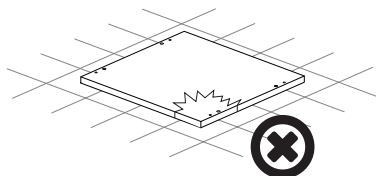
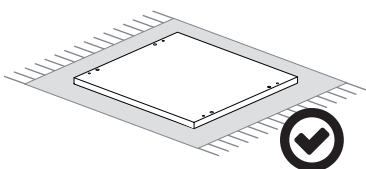
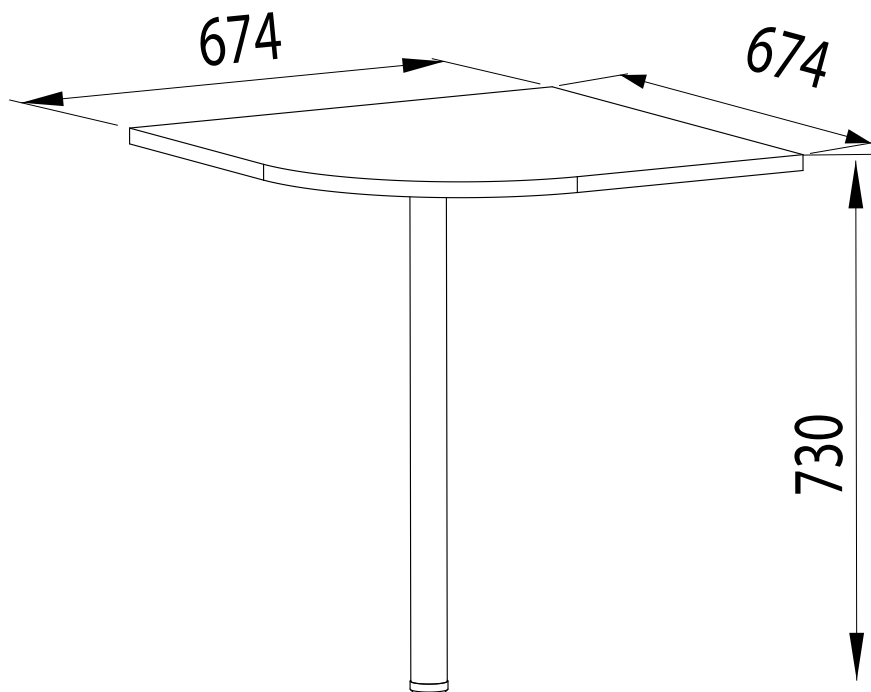
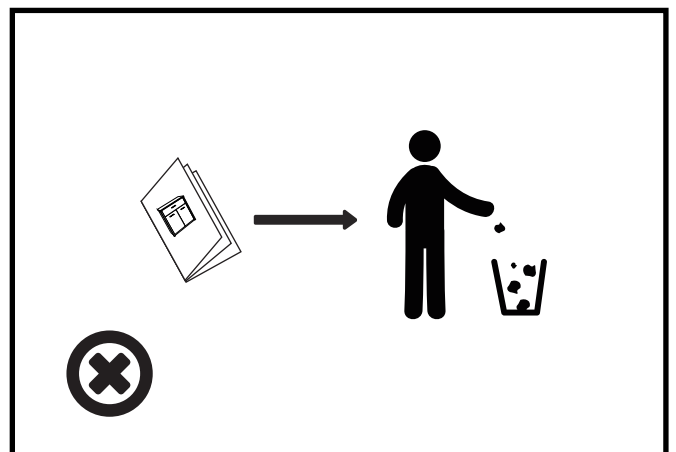
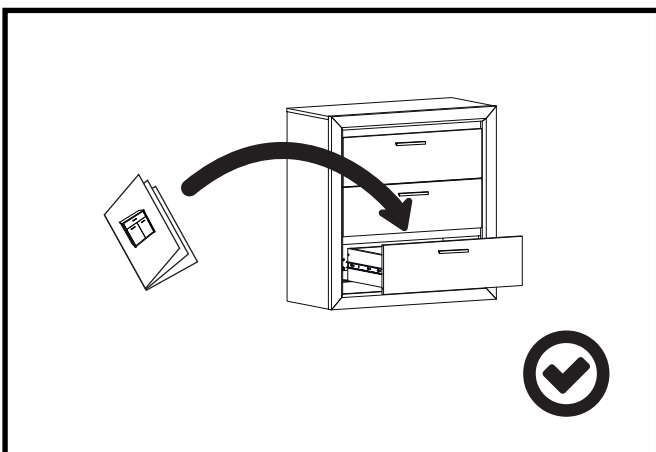
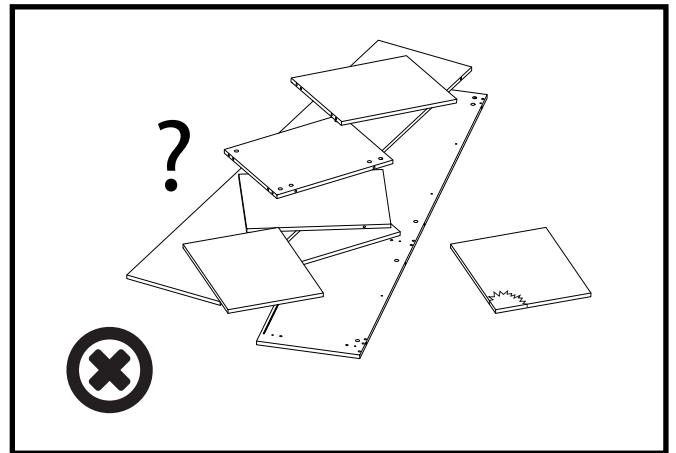
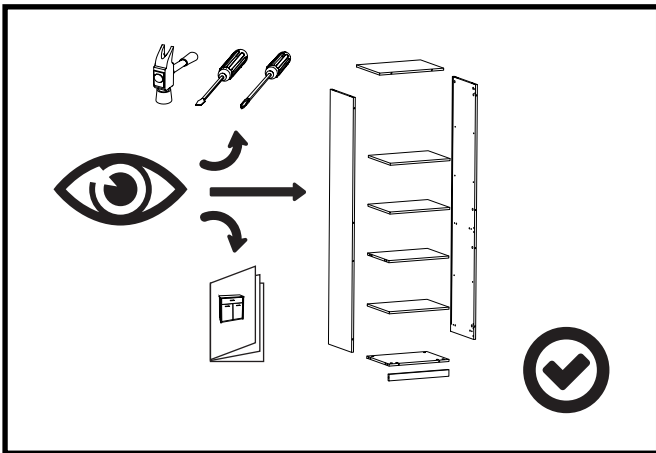
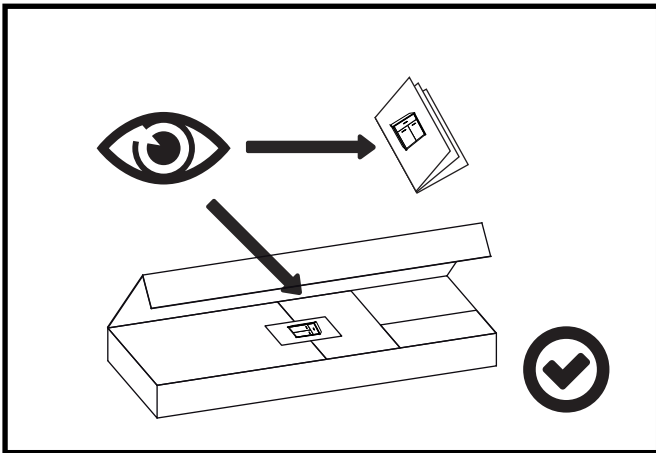
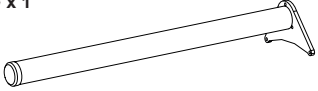
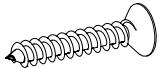
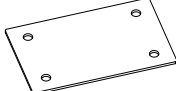
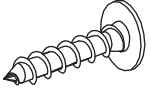


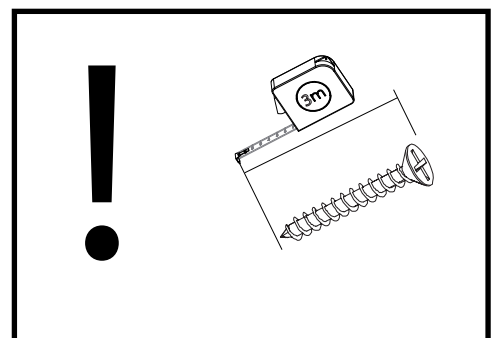
# OPTIMAL 20

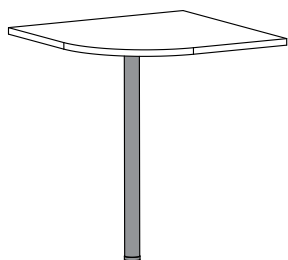







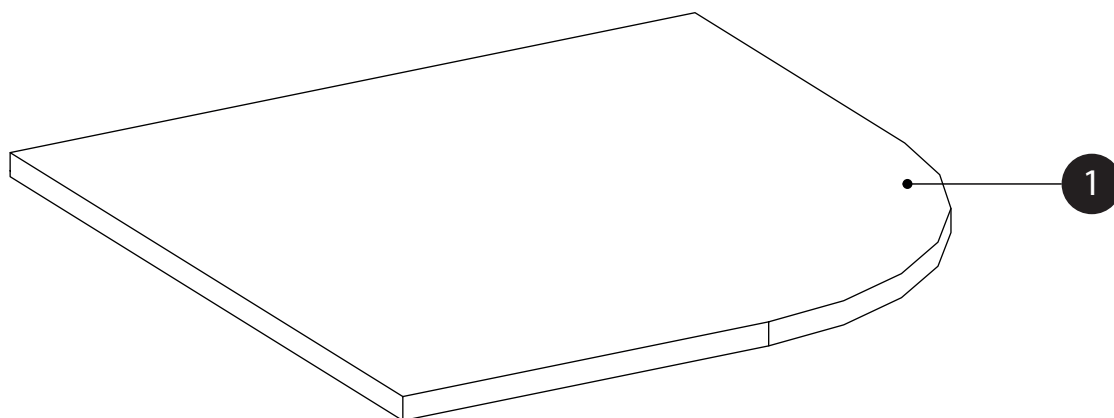
# OPTIMAL 20

<p>NS1 x 1</p> 	<p>WT34 x 5</p> 	<p>PM1 x 4</p> 
<p>WT2 x 16</p> 		

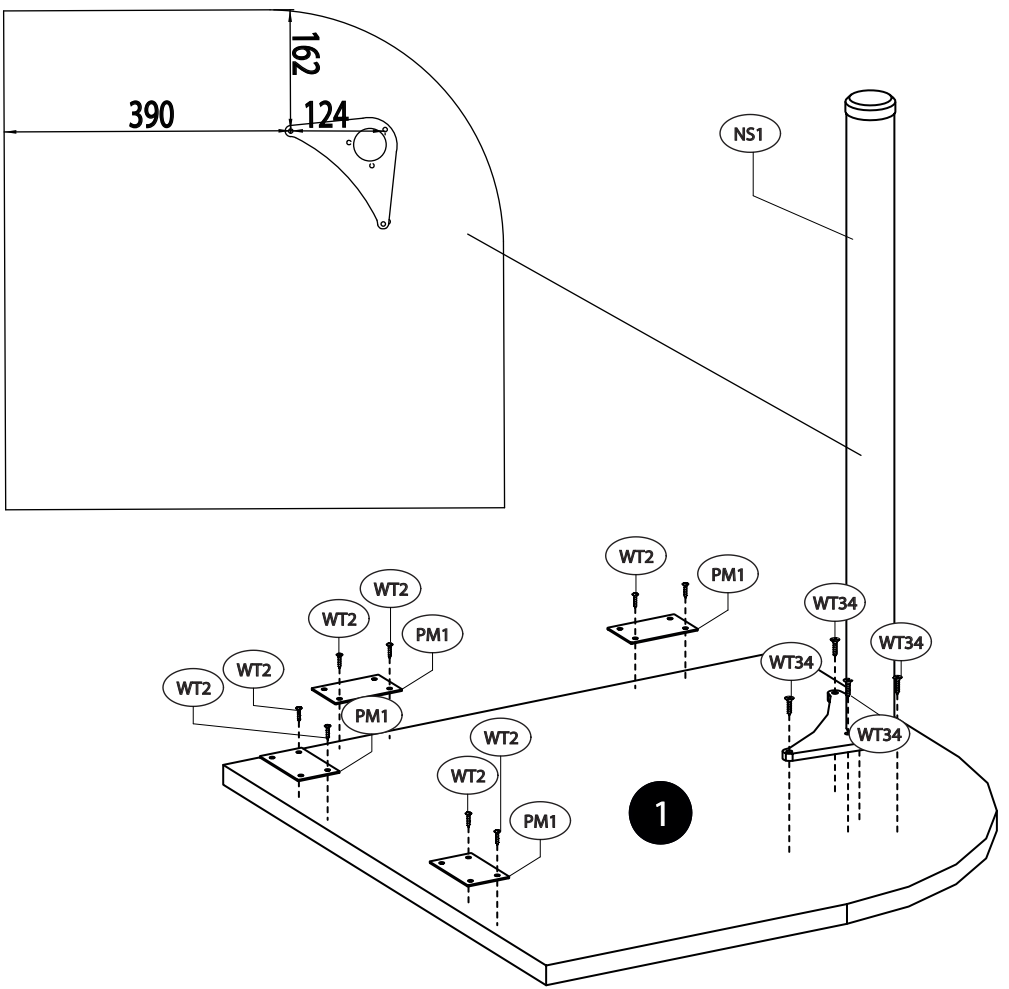




	CODE			
①	OPTIMAL20_01	674	674	1
②				
③				
④				
⑤				
⑥				



**A** ▶



**B** ▶

