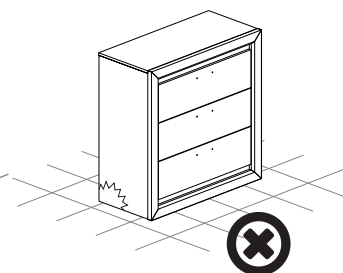
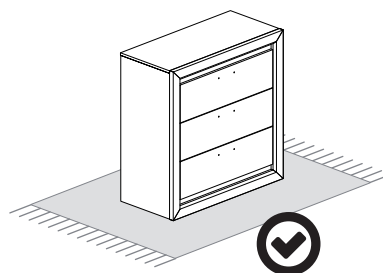
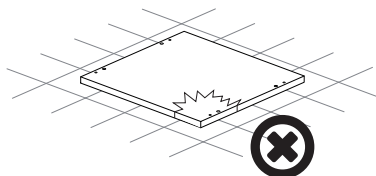
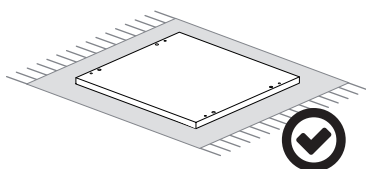
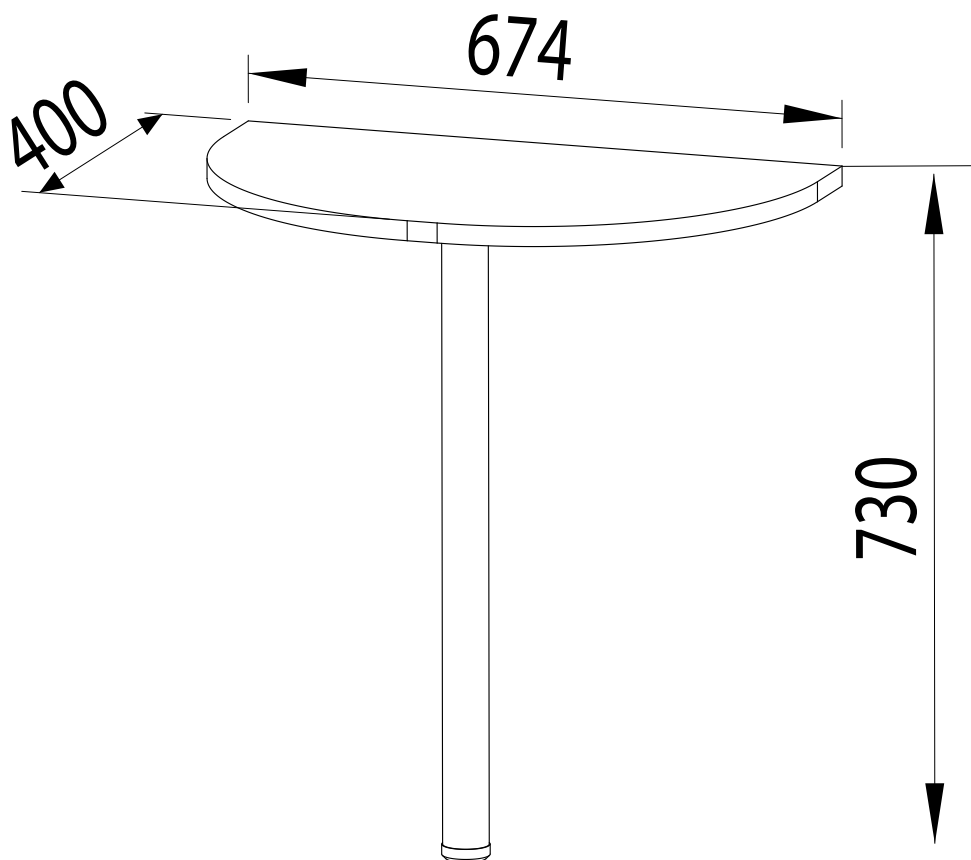
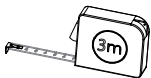
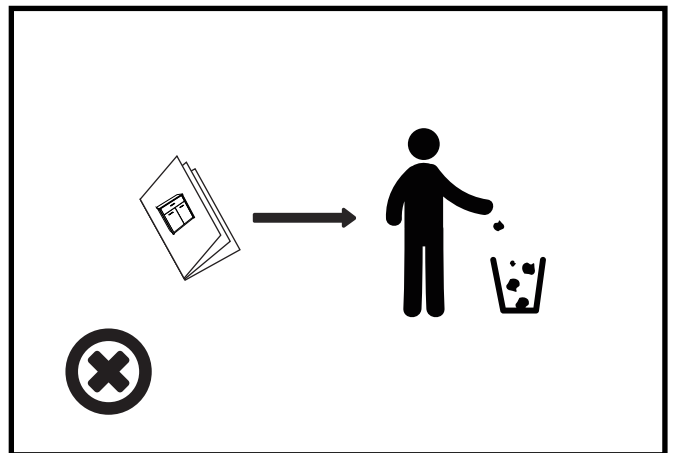
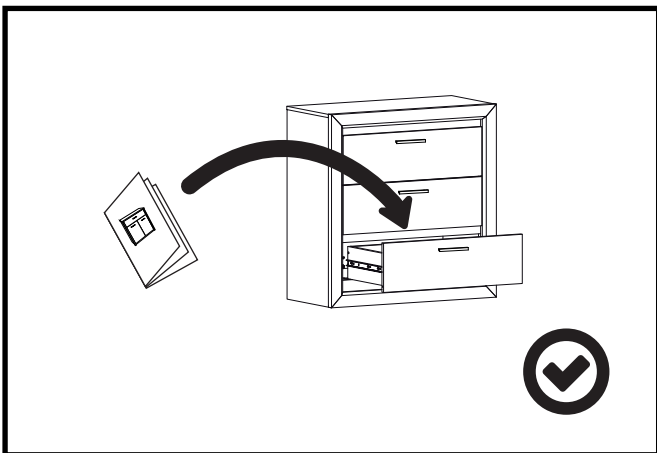
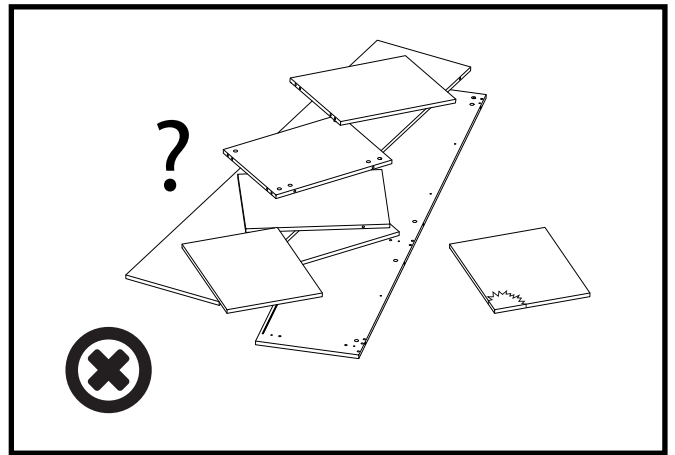
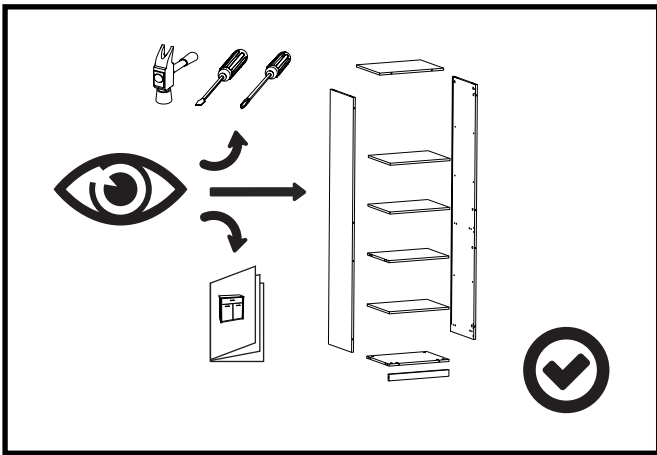
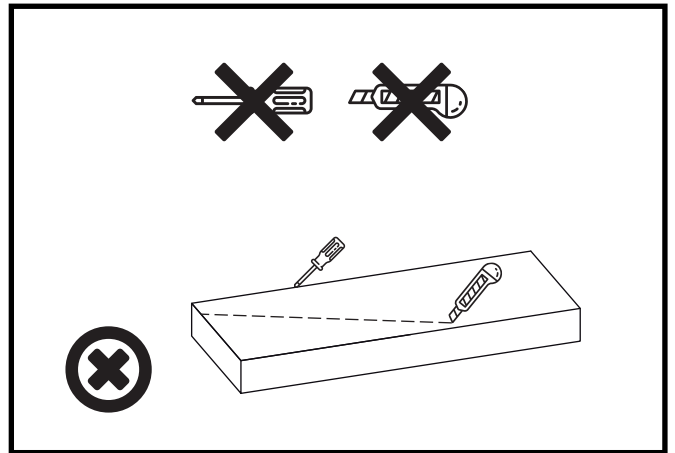
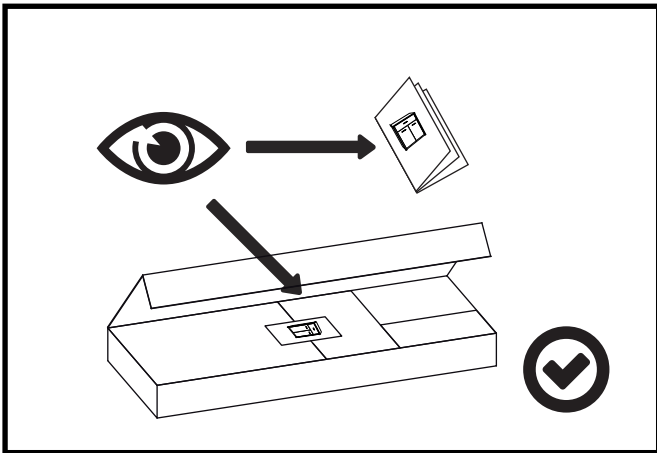
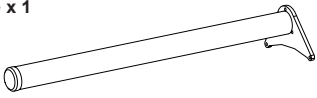
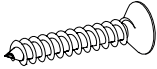
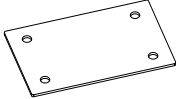
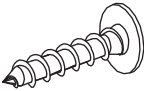


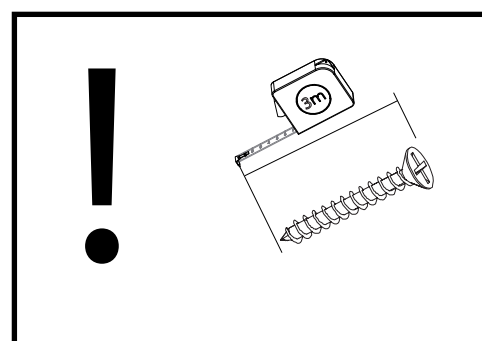
OPTIMAL 19

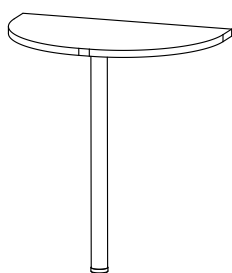







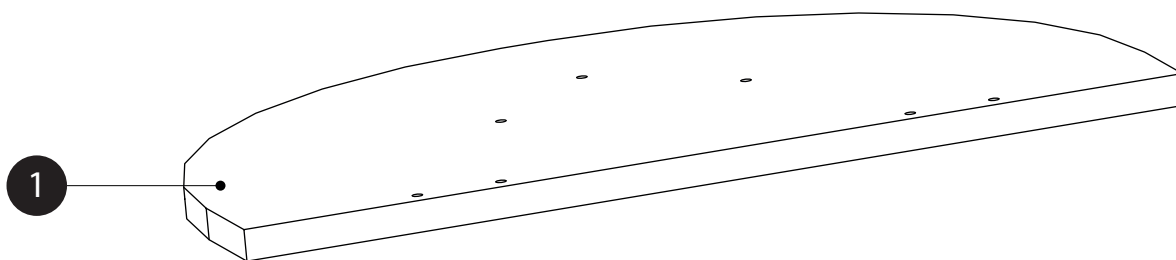
OPTIMAL 19

| | | |
|--|---|--|
| <p>NS1 x 1</p>  | <p>WT34 x 5</p>  | <p>PM1 x 2</p>  |
| <p>WT2 x 8</p>  | | |

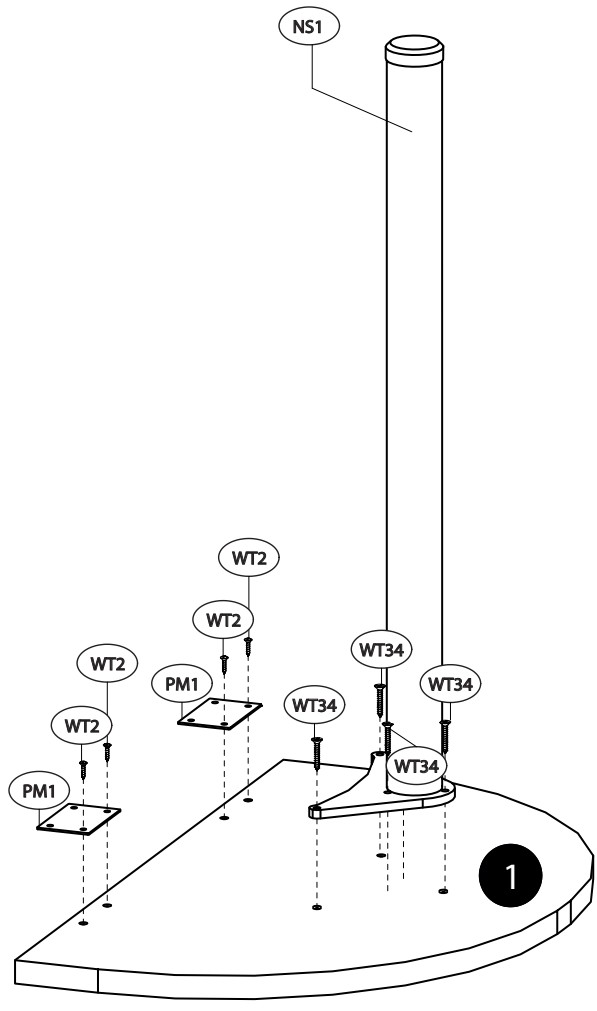




| | CODE |  |  |  |
|---|--------------|---|---|---|
| 1 | OPTIMAL19_01 | 674 | 400 | 1 |
| 2 | | | | |
| 3 | | | | |
| 4 | | | | |
| 5 | | | | |
| 6 | | | | |



A ▶



B ▶

