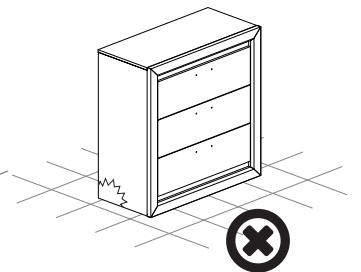
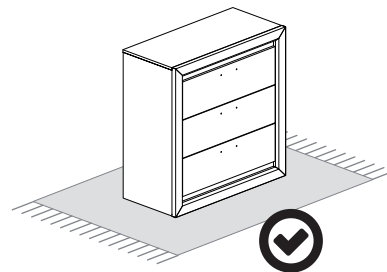
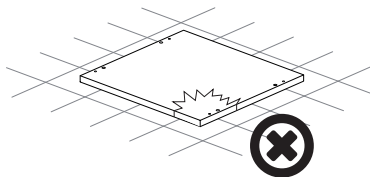
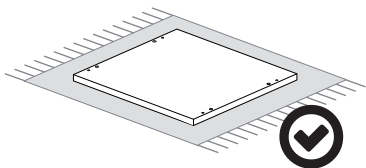
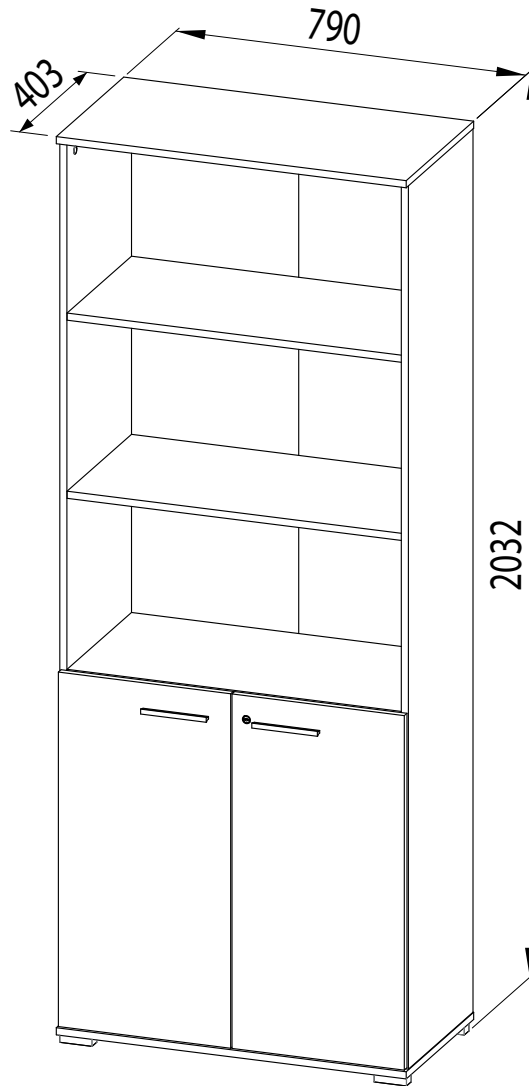
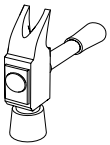
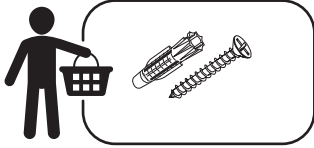
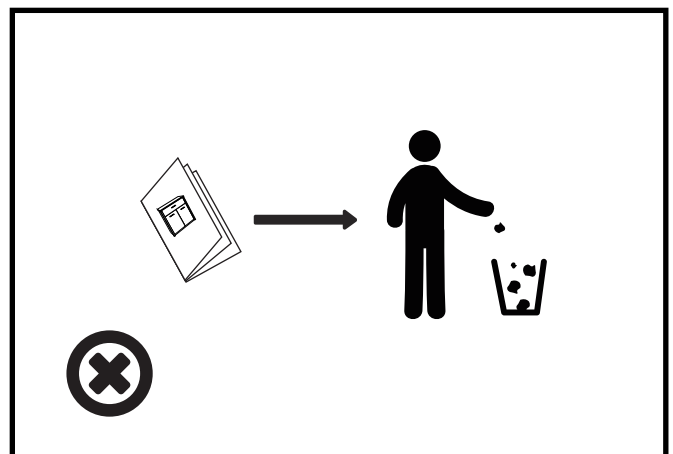
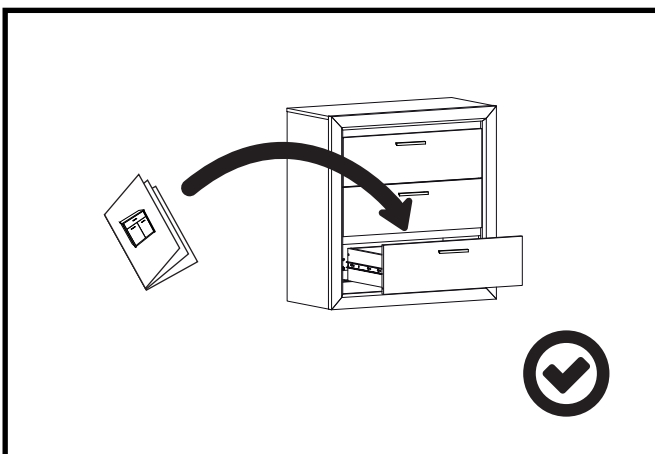
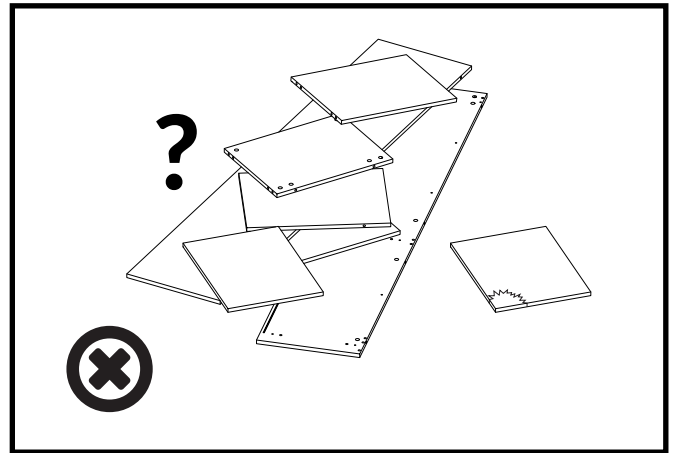
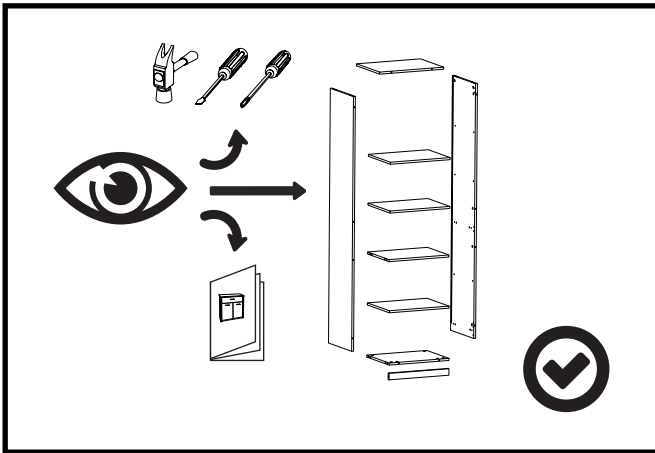
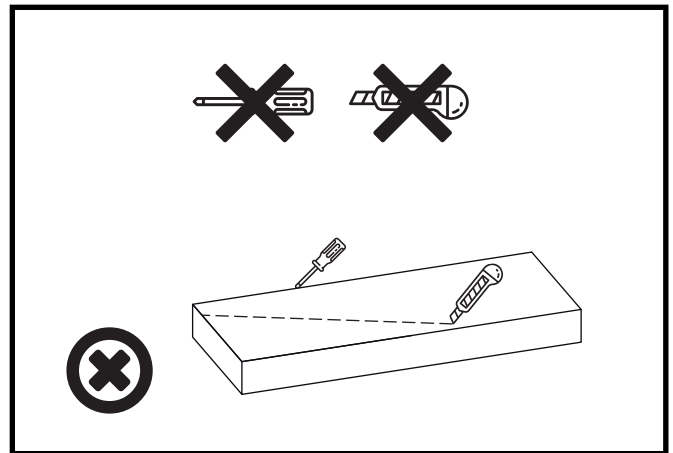
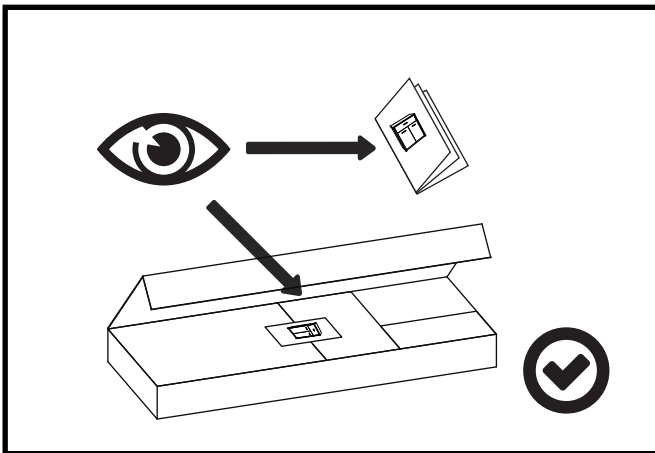
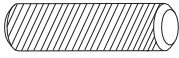
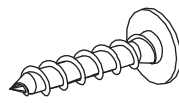
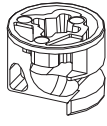

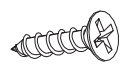
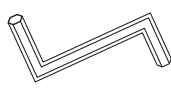

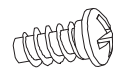

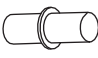
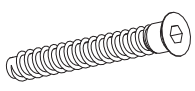
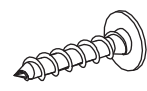
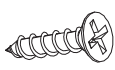

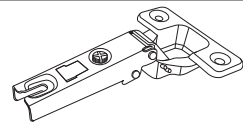
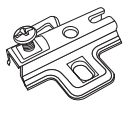
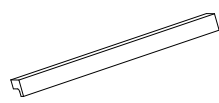
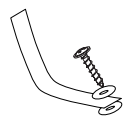
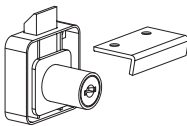
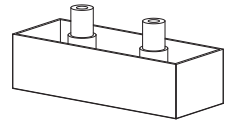
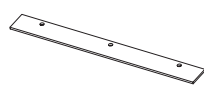


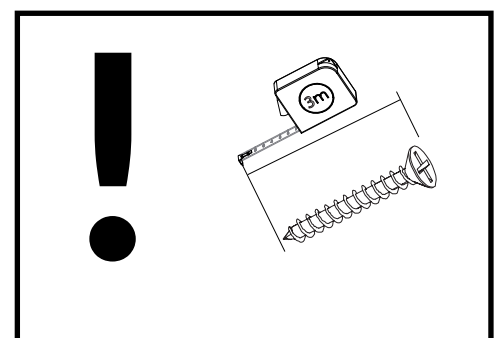
OPTIMAL 04

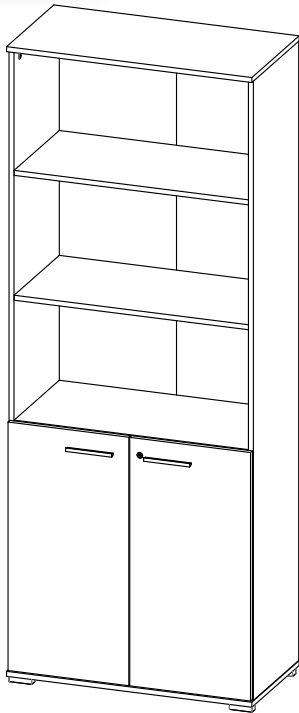


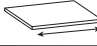

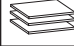


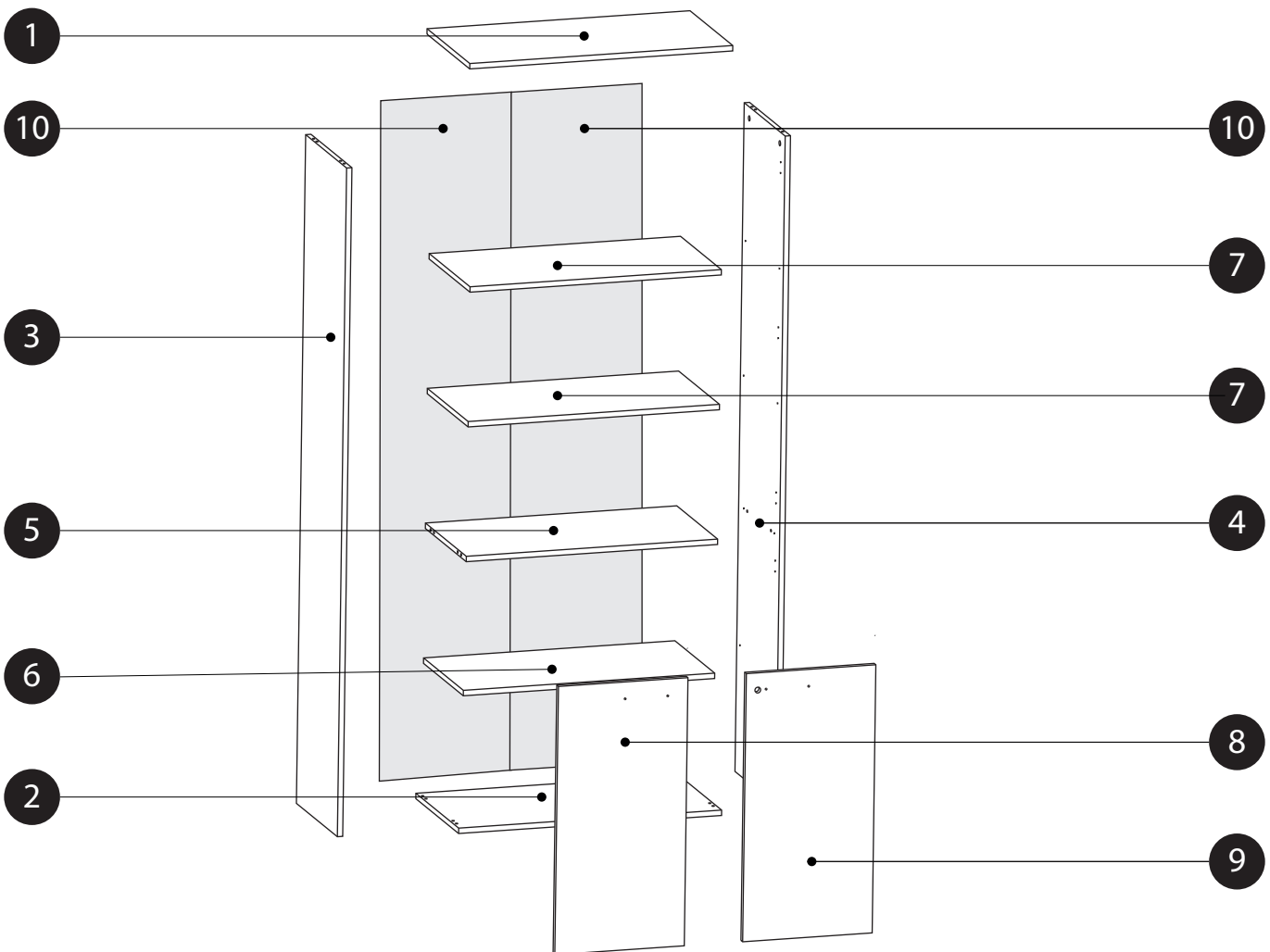
OPTIMAL 04

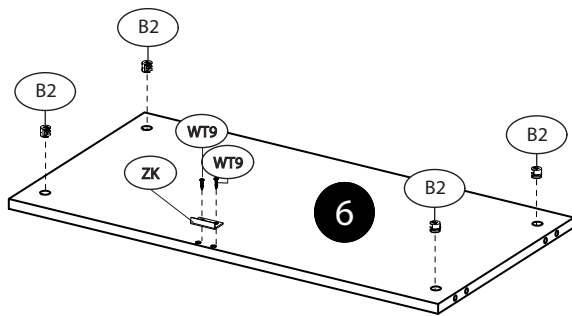
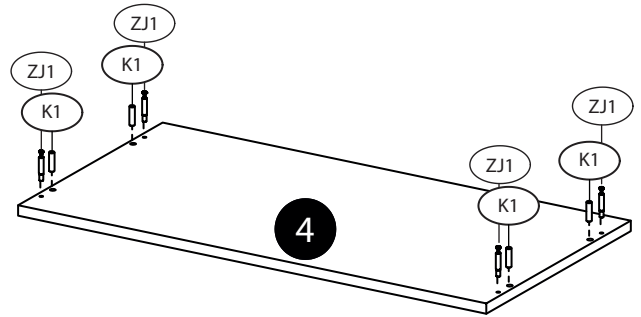
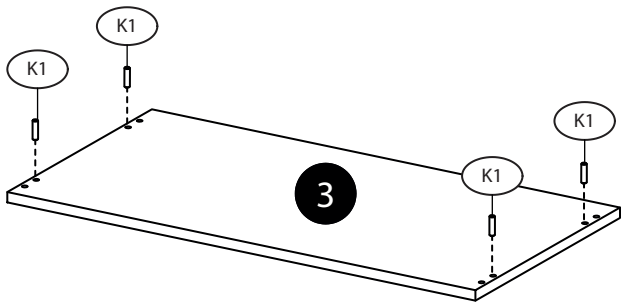
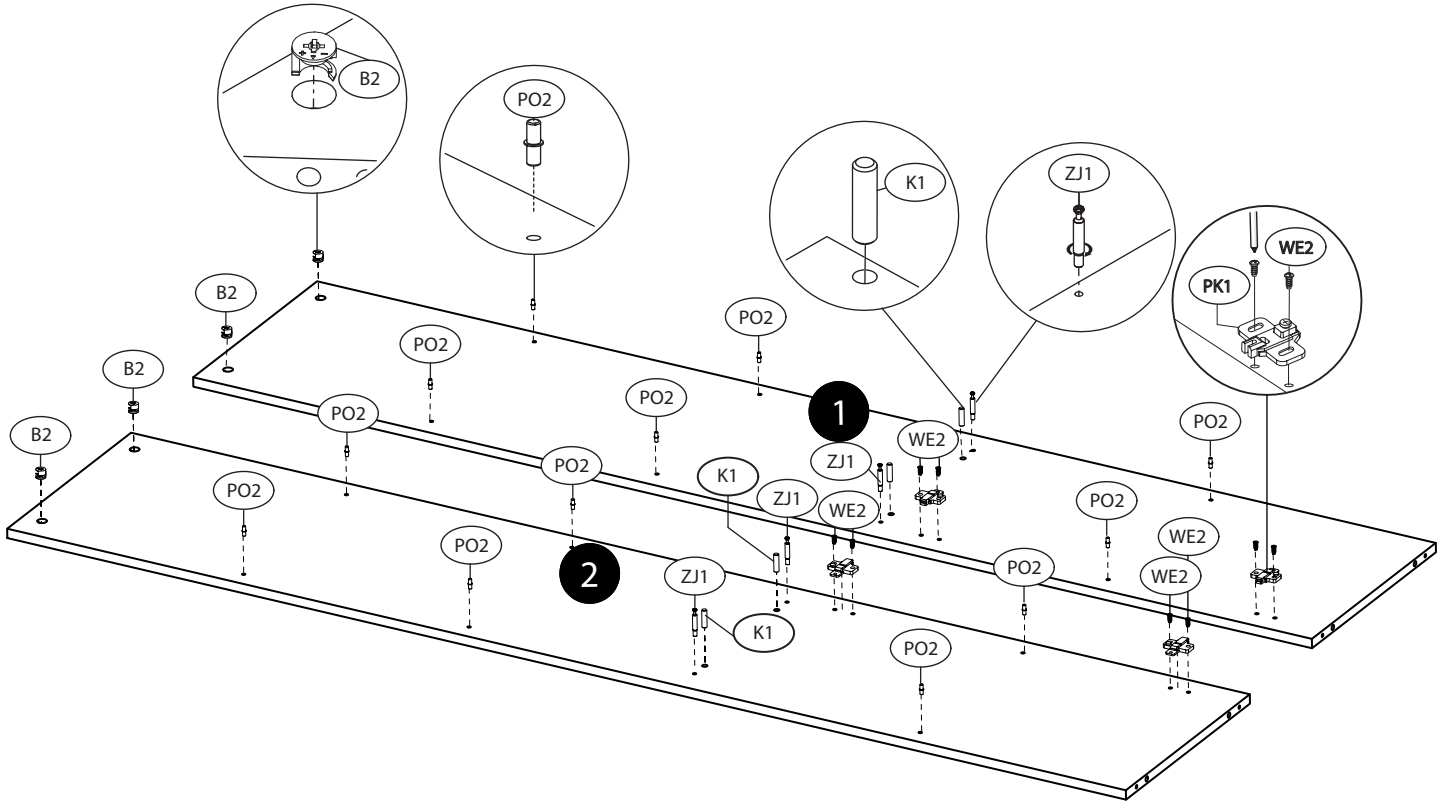
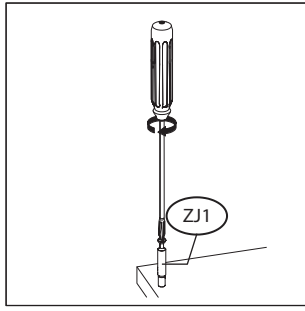
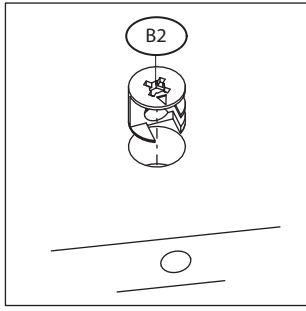
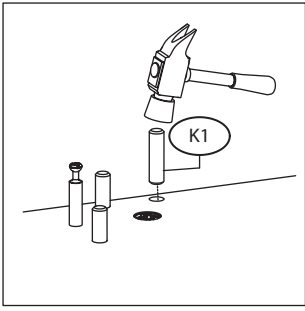
<p>K1 x 12</p> 	<p>WT31 x 4 4x25</p> 	<p>B2 x 8</p> 
<p>ZS2 x 8</p> 	<p>WT1 x 8 3,5x15</p> 	<p>x 1</p> 
<p>ZJ1 x 8</p> 	<p>WE2 x 8 6,3x13B</p> 	<p>KL x 1</p> 
<p>PO2 x 12</p> 	<p>KT1 x 4 6,3x50</p> 	<p>WT9 x 5 3x16</p> 
<p>WT4 x 4 3,5x20</p> 	<p>GW1 x 64</p> 	<p>ZP5 x 4</p> 
<p>PK1 x 4</p> 	<p>UO x 2</p> 	<p>PZK x 1</p> 
<p>ZAM x 1</p> 	<p>ST2 x 4</p> 	<p>LD x 1</p> 

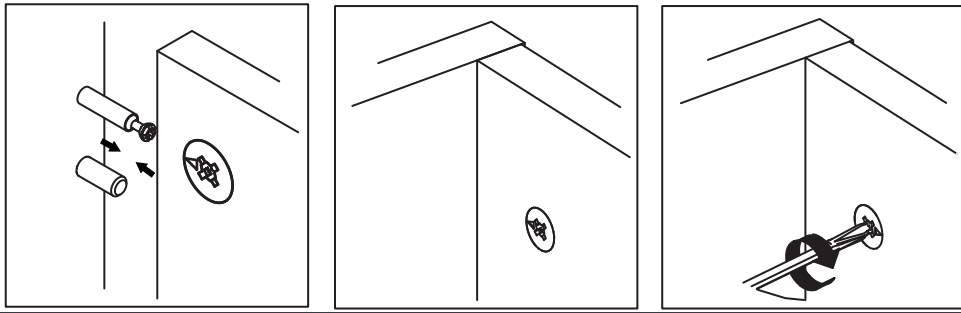
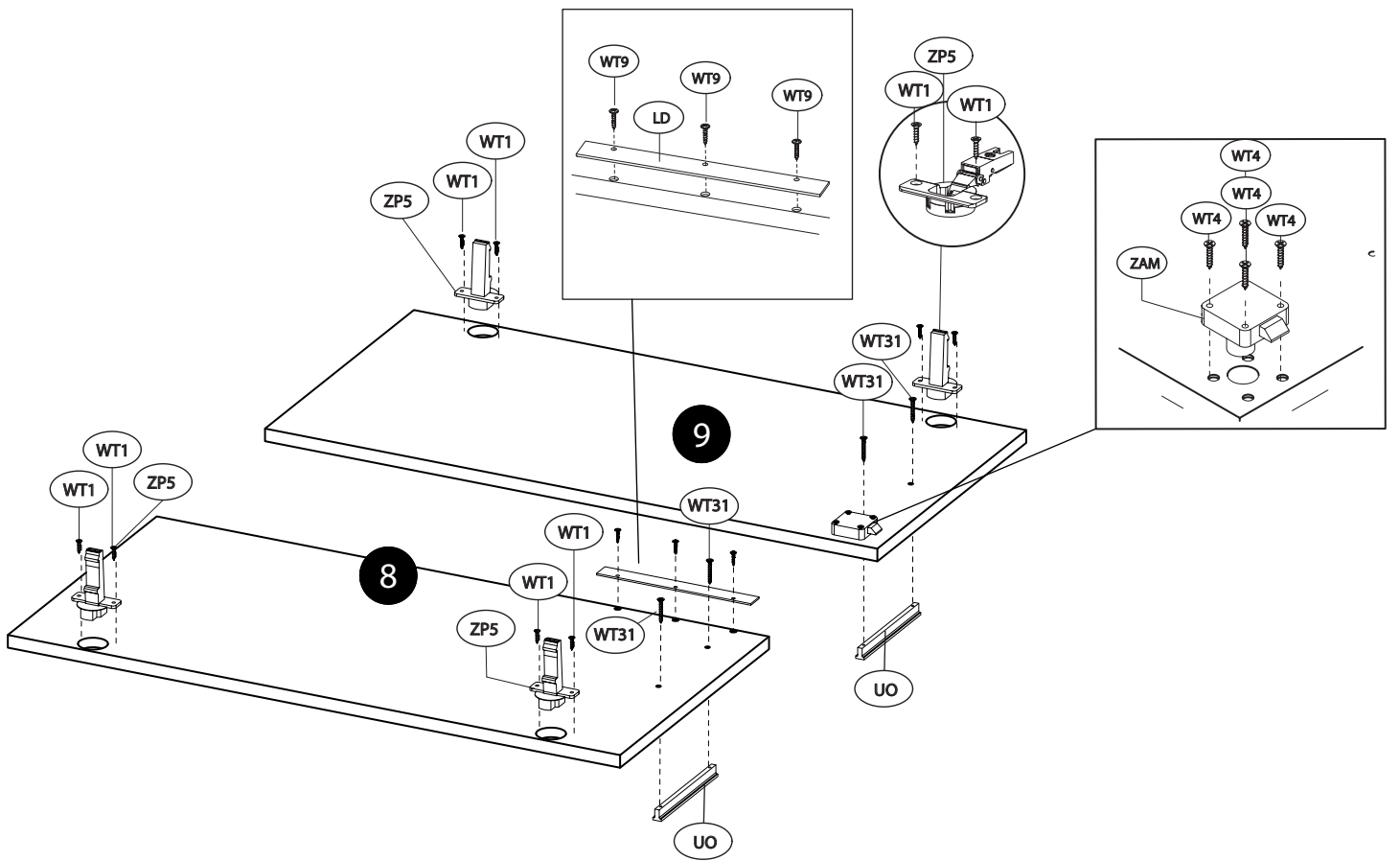




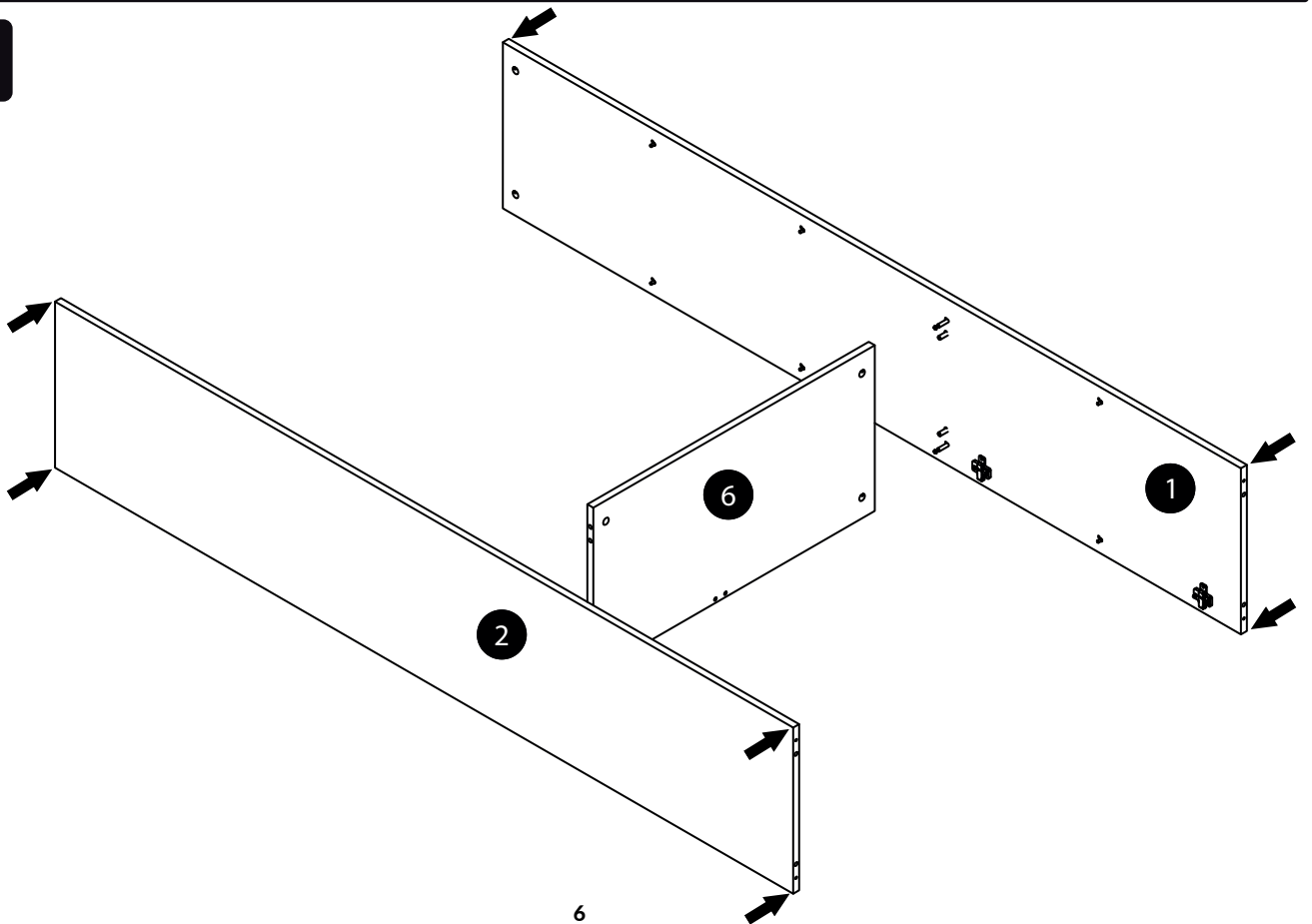
	CODE			
1	OPTIMAL04_01	790	403	1
2	OPTIMAL04_02	790	403	1
3	OPTIMAL04_03	1980	386	1
4	OPTIMAL04_04	1980	386	1
5	OPTIMAL04_05	755	385	1
6	OPTIMAL04_06	755	375	1
7	OPTIMAL04_07	755	385	2
8	OPTIMAL04_08	389	794	1
9	OPTIMAL04_09	389	794	1
10	OPTIMAL04HDF_01	2008	391	2
11				
12				
13				
14				
15				



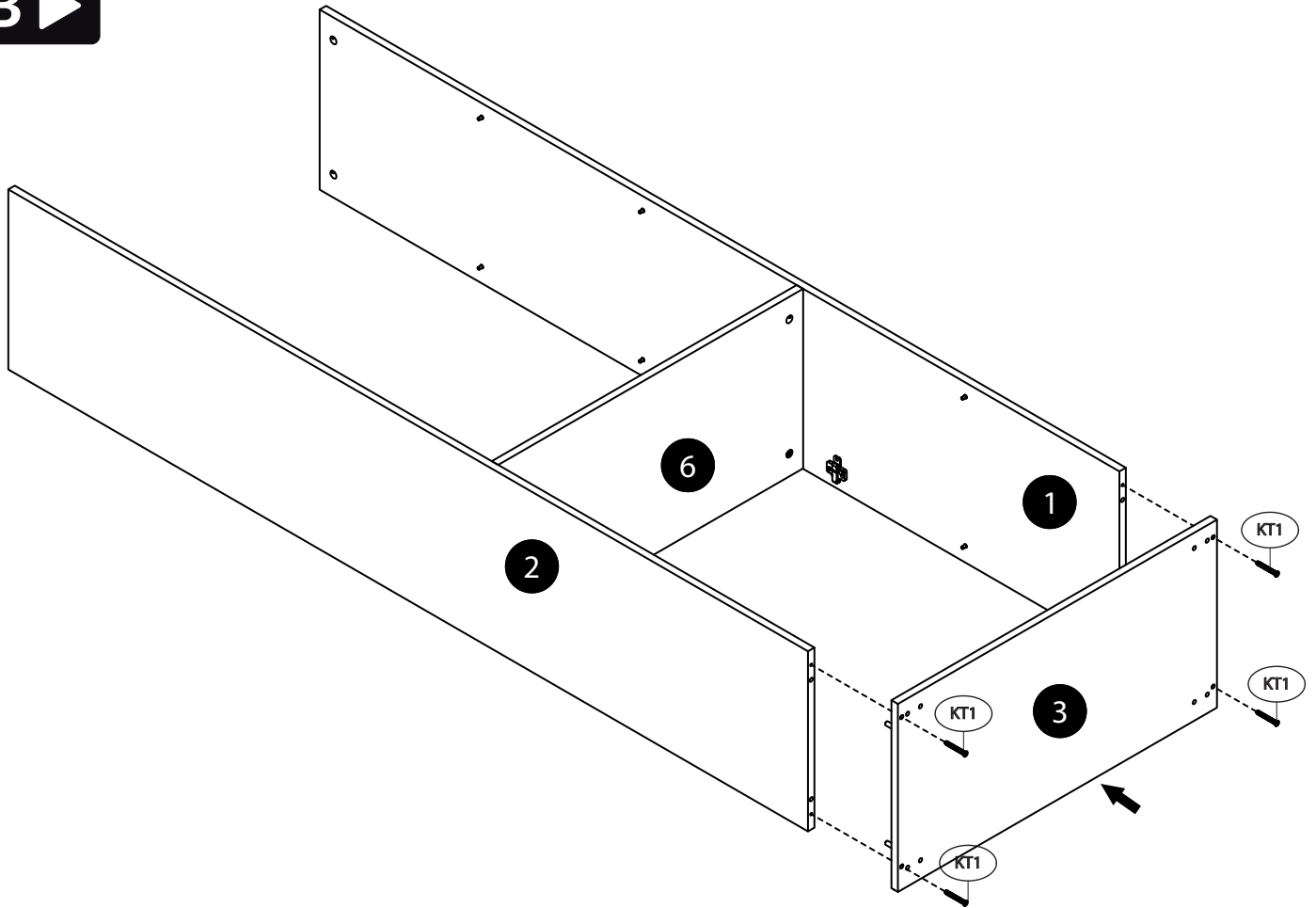




A ▶



B ▶



C ▶

