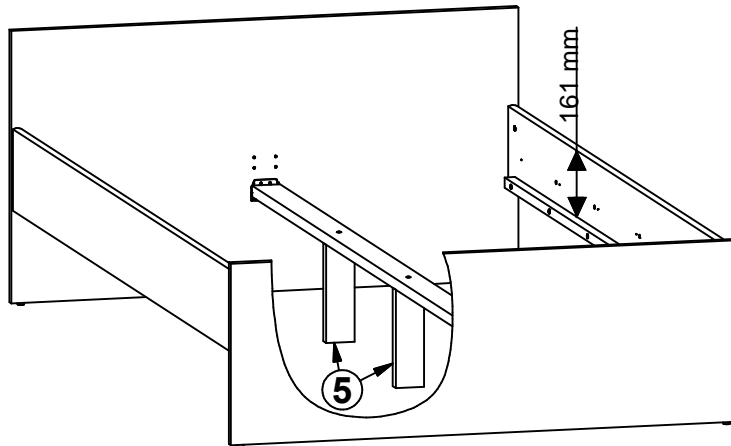
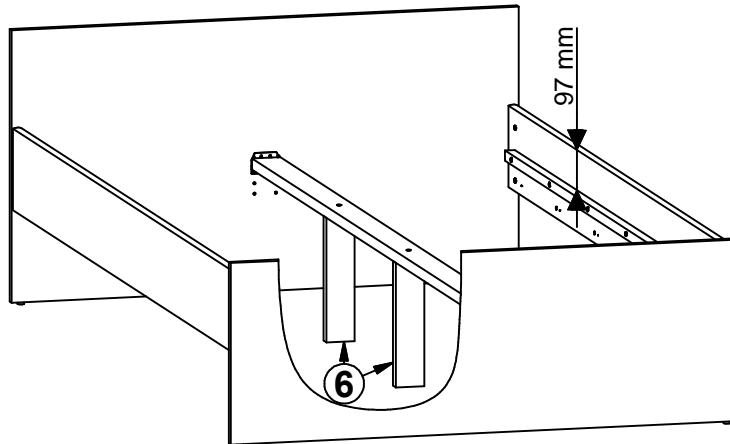
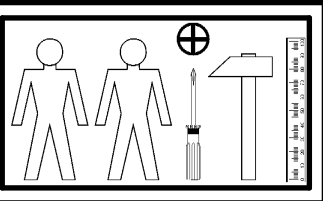
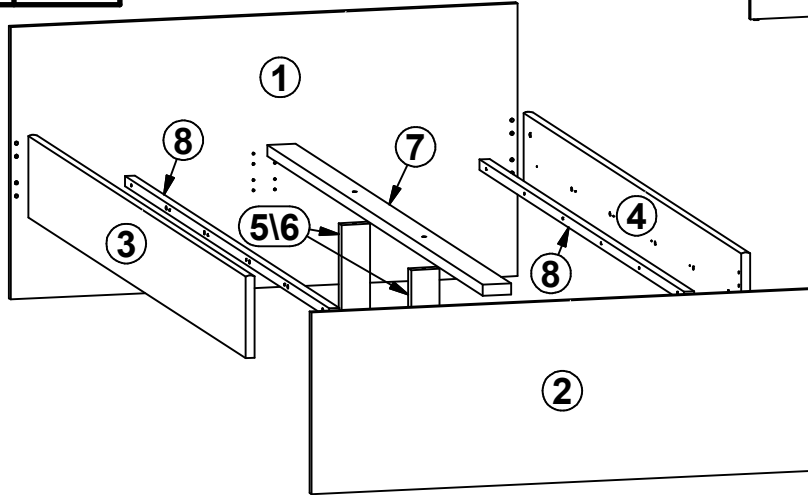
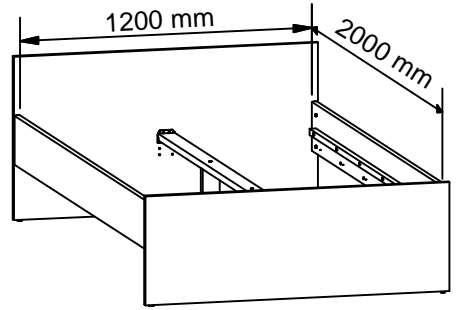
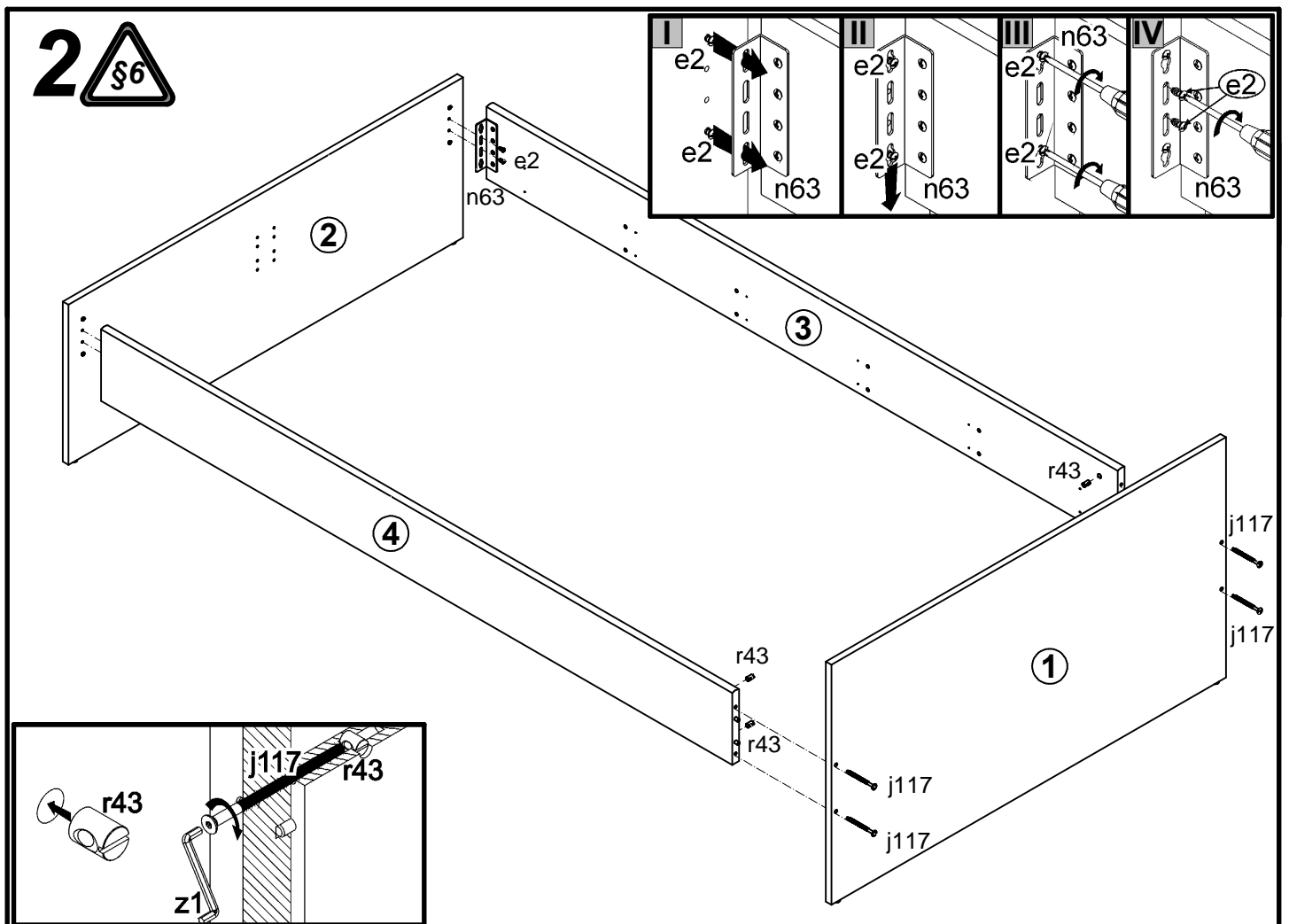
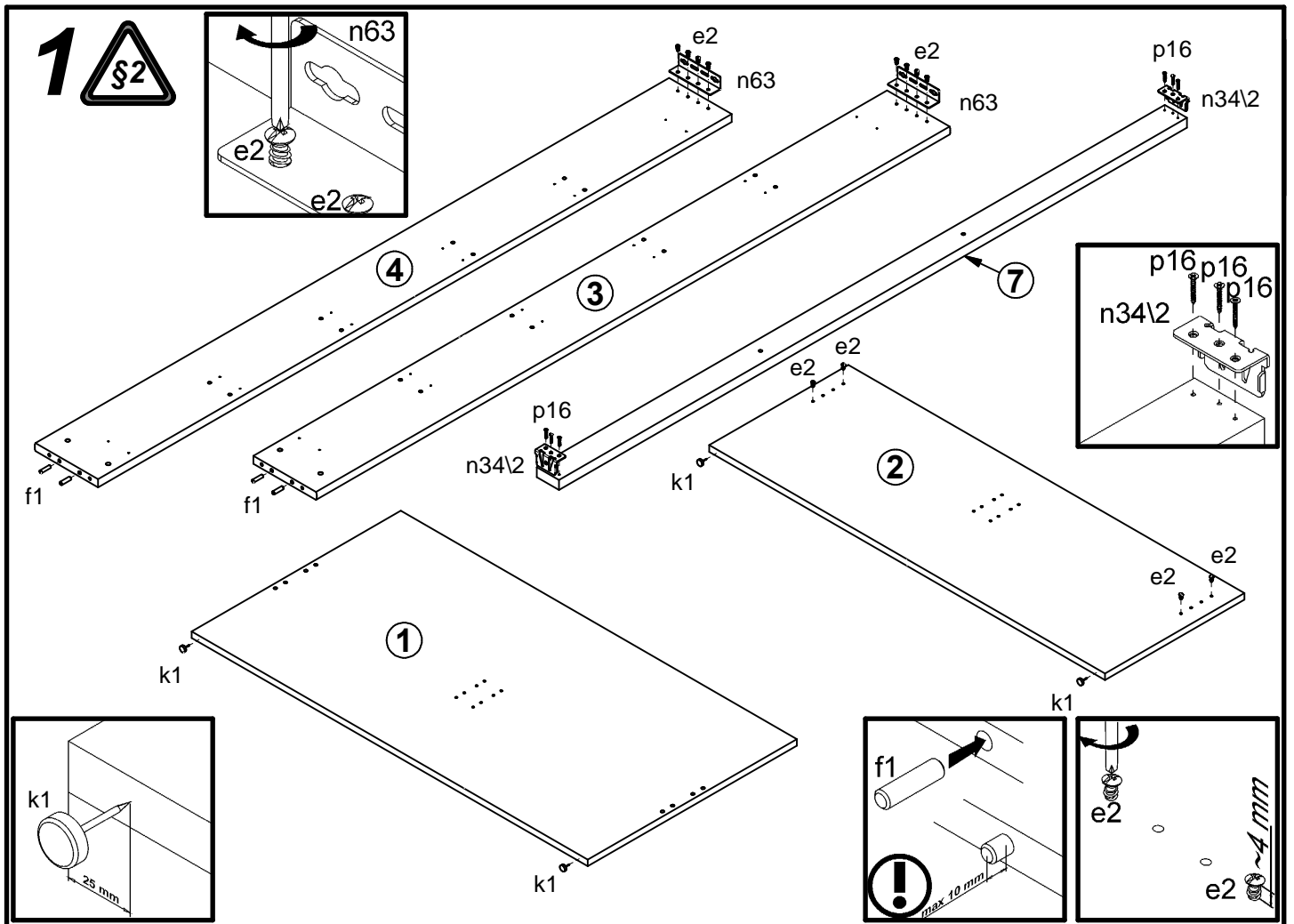


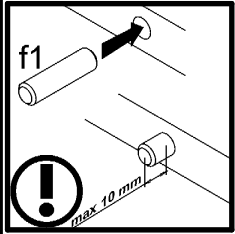
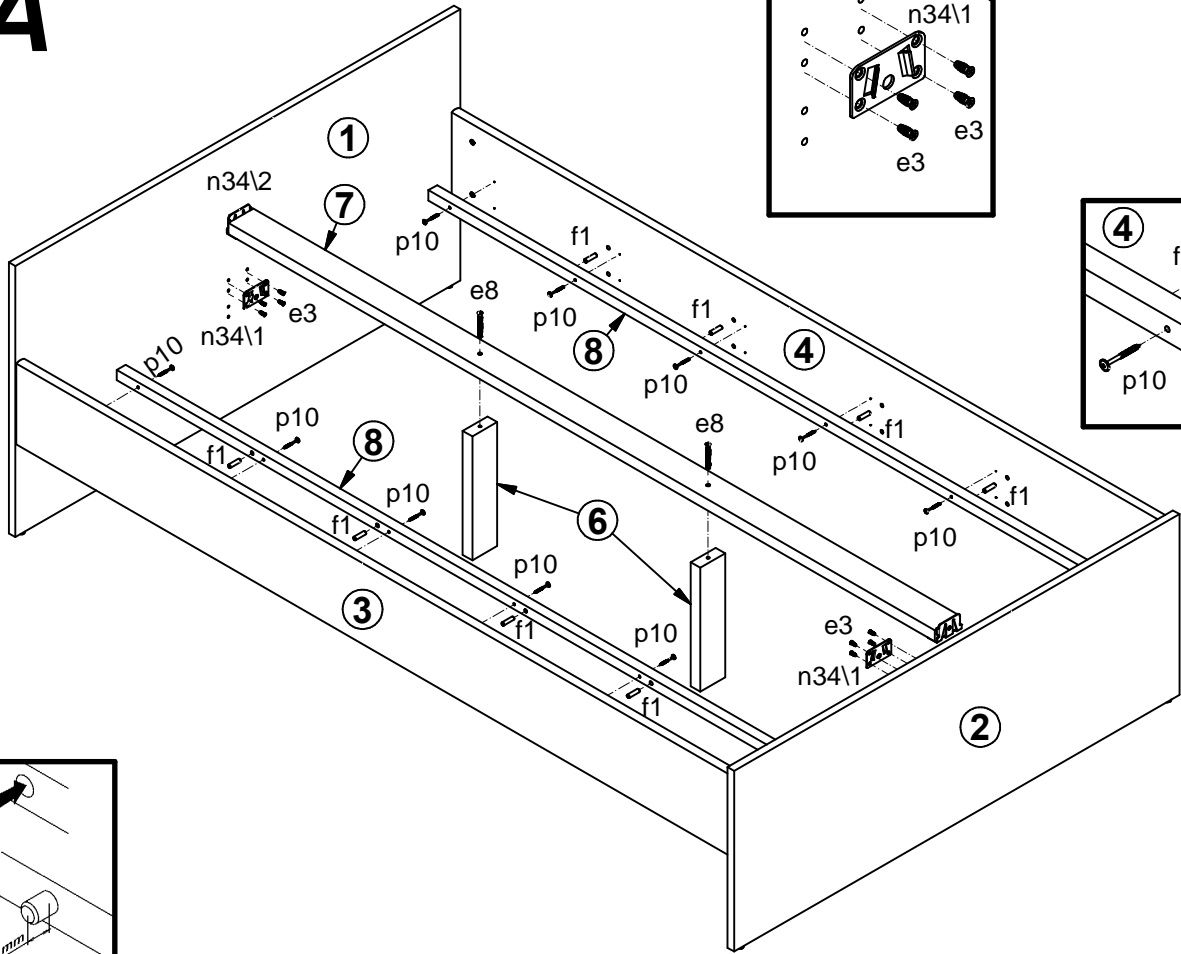
A	B	C	D
1	S301-036	1250	660 1/2
2	S301-037	1250	440 1/2
3	S301-167	2000	200 2/2
4	S301-168	2000	200 2/2
5	ZZ1-416	238	70 2/2
6	ZZ1-424	302	70 2/2
7	ZZ1-719	1983	70 2/2
8	ZZ1-747	1880	25 2/2



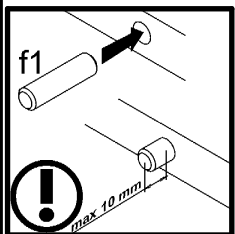
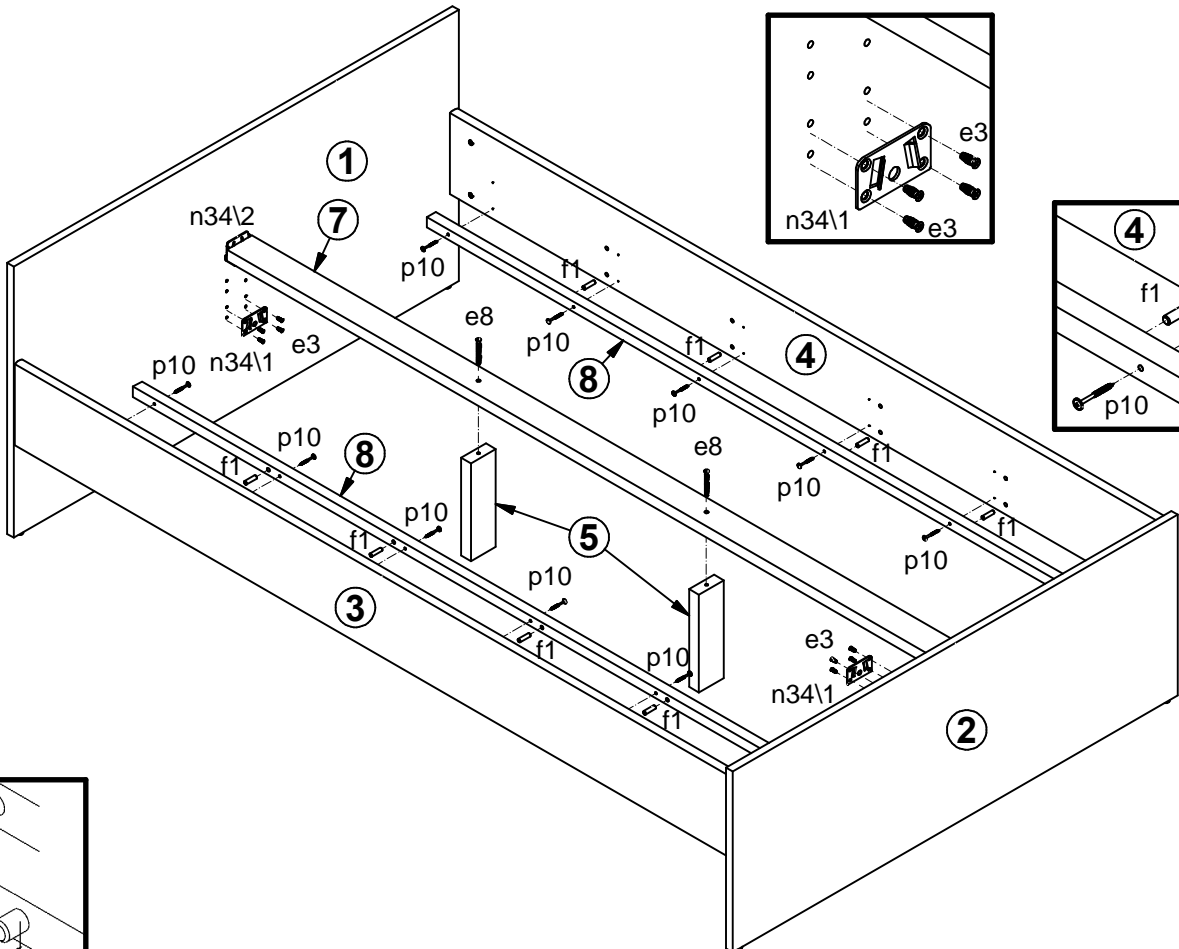
16x Ø6.3x13 mm e2	8x Ø6x13 mm e3	2x Ø7x60 mm e8	12x Ø8x30 mm f1	4x M6x84 mm j117	4x k1	2x n341	2x n342	2x 130x34x34/2 mm n63
12x Ø4x40 mm p10	6x Ø3.5x25 mm p16	6x Ø4x35 mm p6	4x Ø10x16 mm r43	1x z1				



# 3A



# B



4

