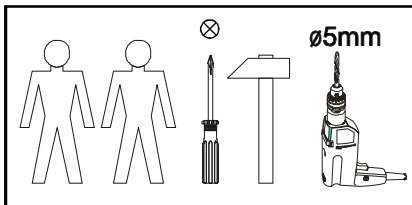
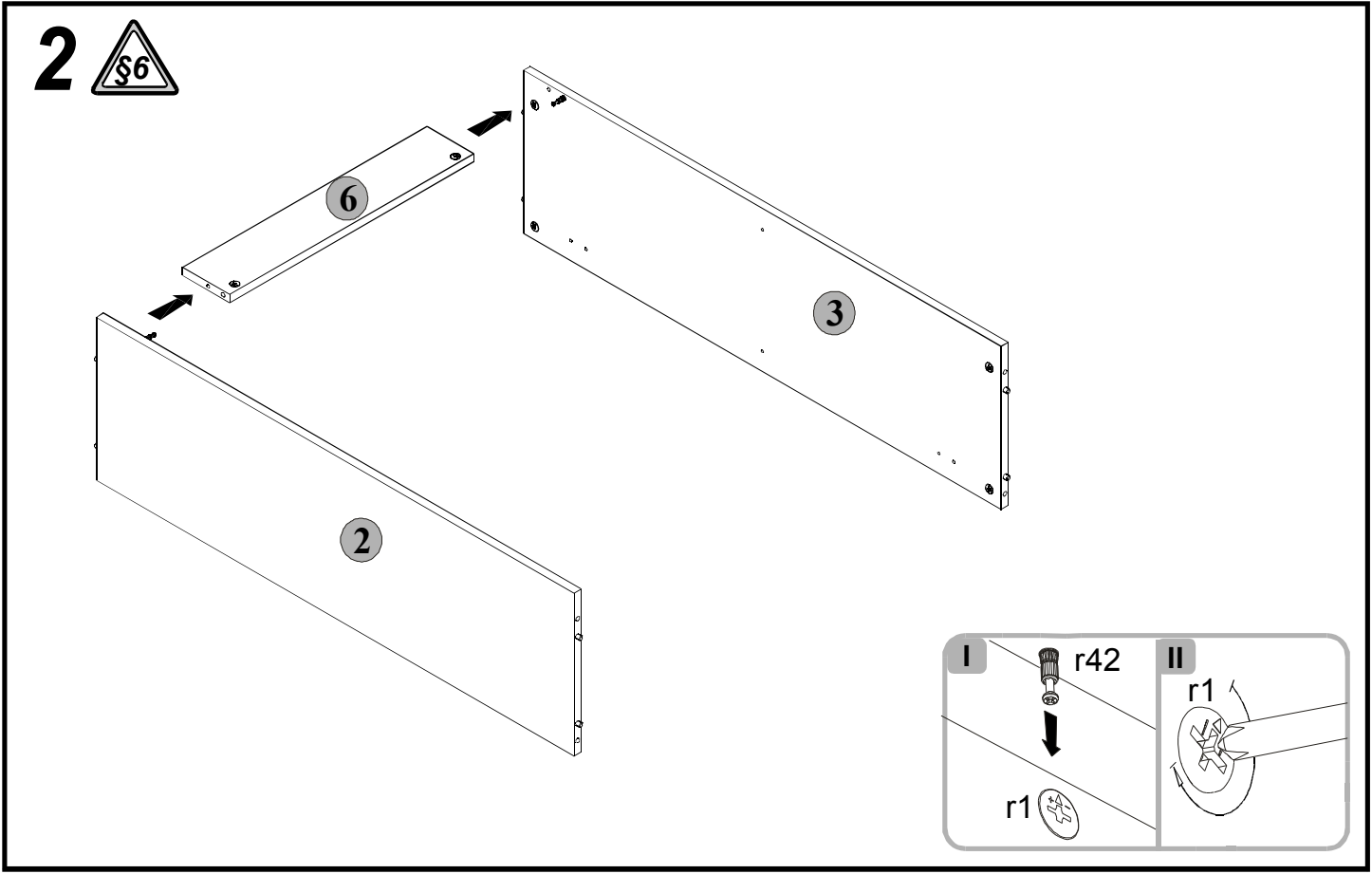
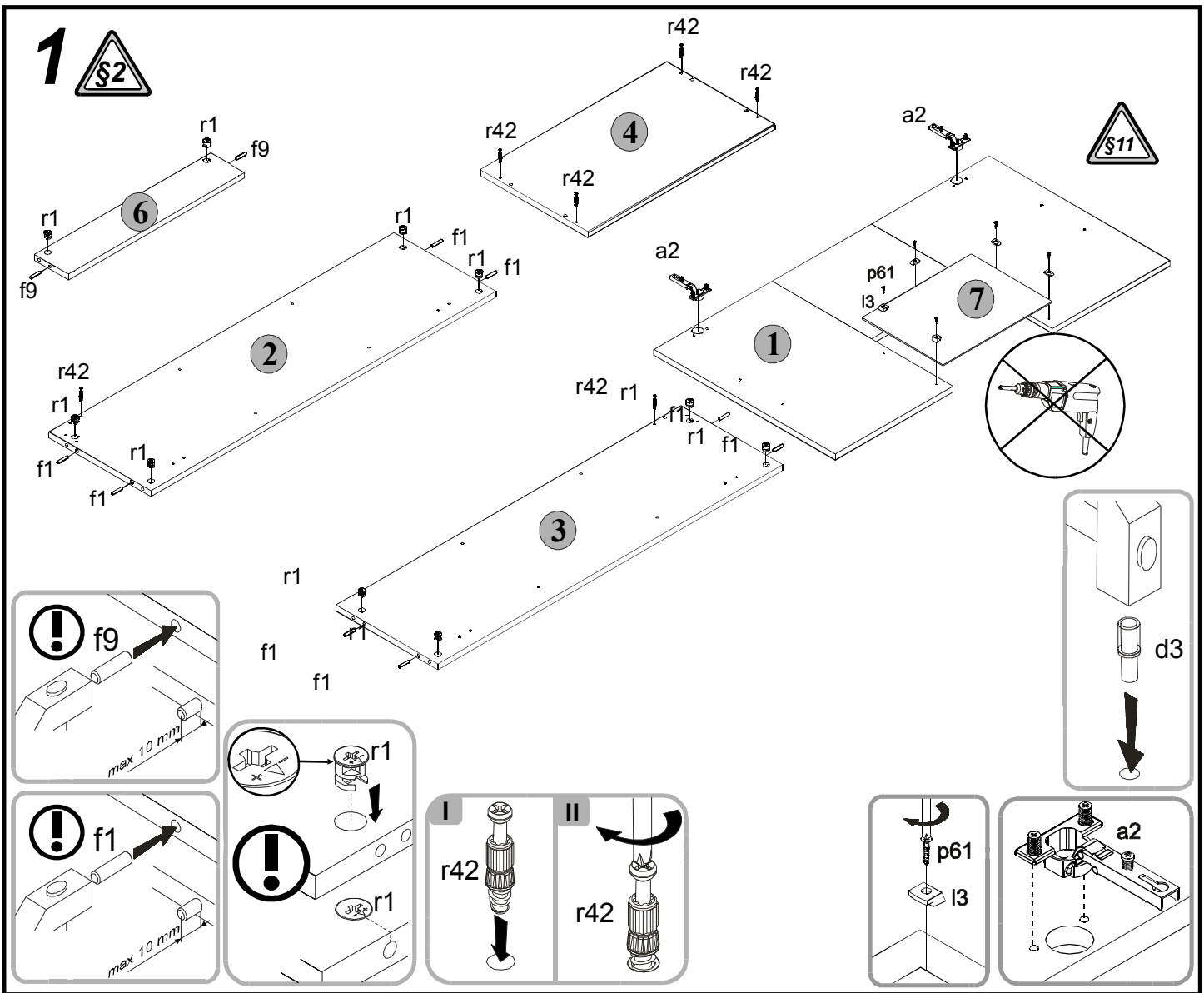


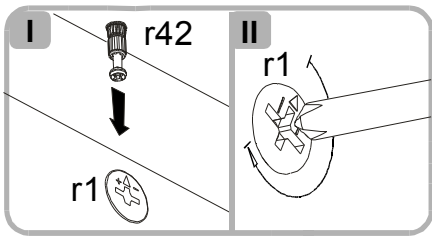
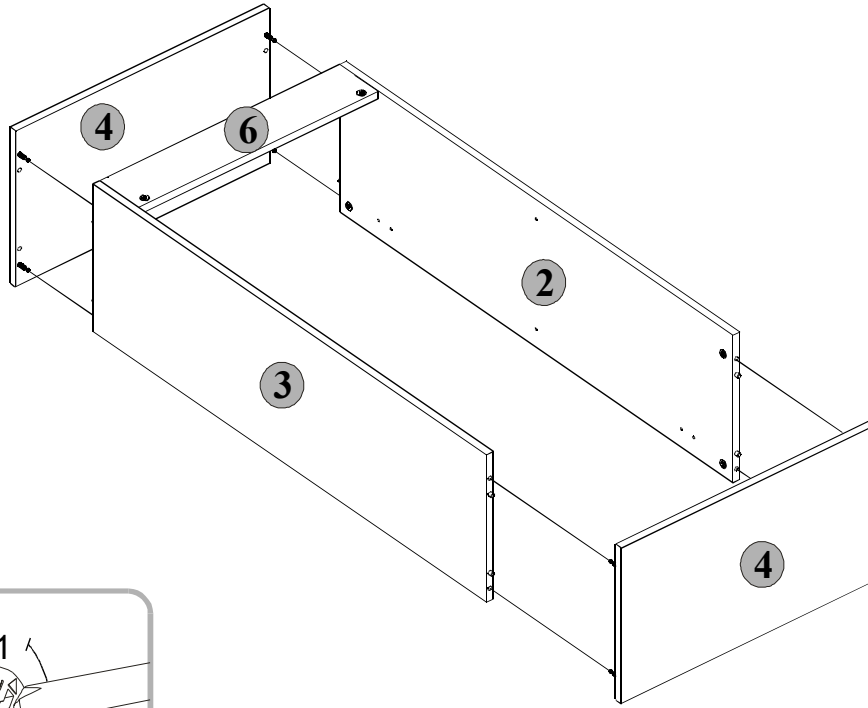
A	B	C	D
1	M191-001	1010x546	1
2	M191-101	1016x300	1
3	M191-102	1016x300	1
4	S302-204	550x318	1
5	M191-301	519x290	1
6	S302-402	519x100	1
7	M191-504	330x245	1
8	M191-901	1041x544	1



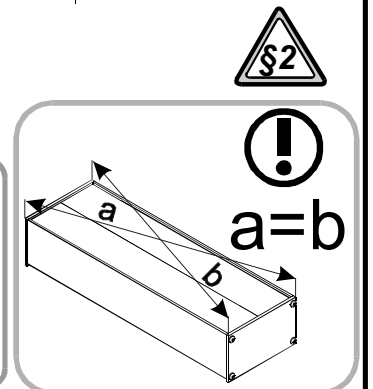
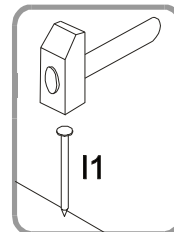
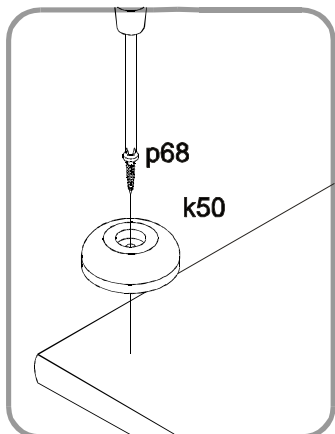
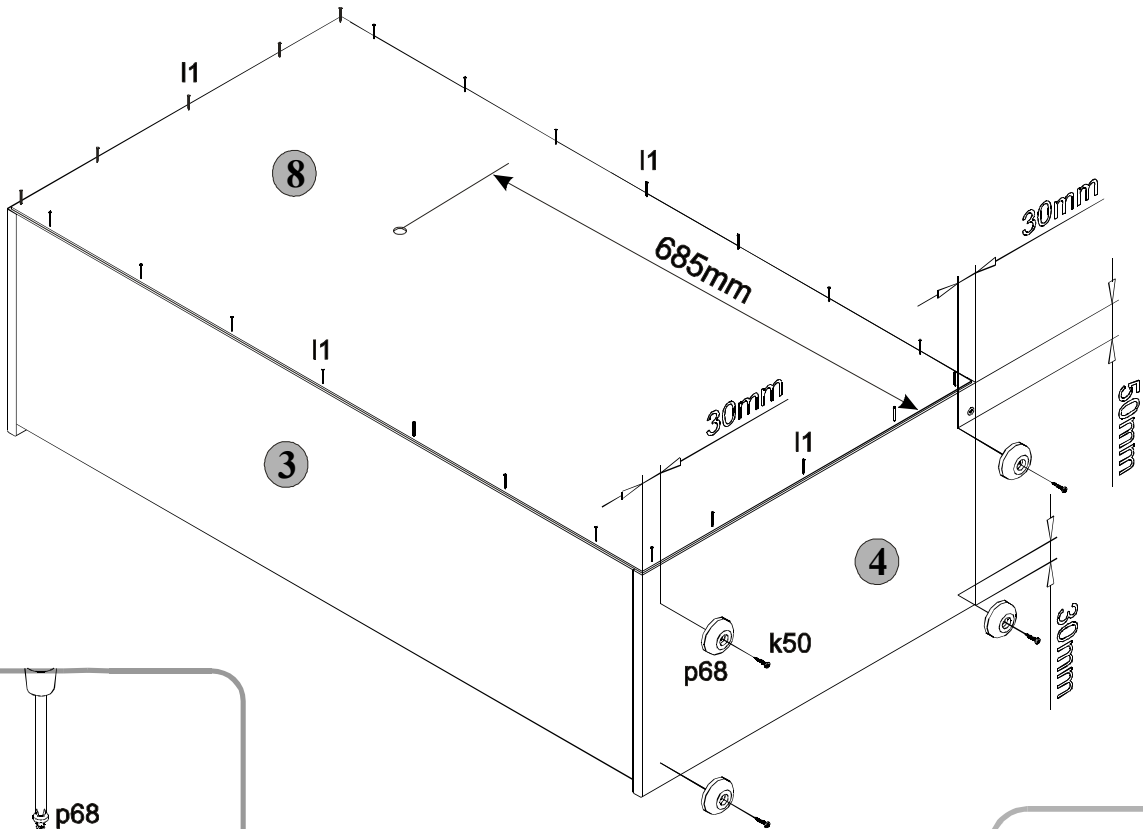
2x K0	2x a2	2x φ4x22 mm p60	5x φ3,5x16 mm p61	4x φ4x20 mm p68	10x φ15x12mm #16 r1	10x r42	8x φ16 s2	6x φ5 s4
1x c365	8x φ5x17 mm d1	8x φ8x30 mm f1	2x φ6x30 mm f9	4x φ45x15 mm k50	30x l1	5x 3 mm l3		



3



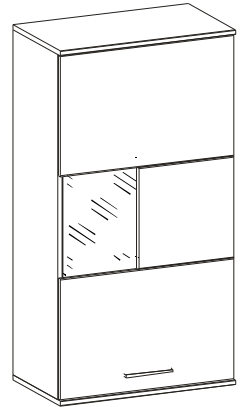
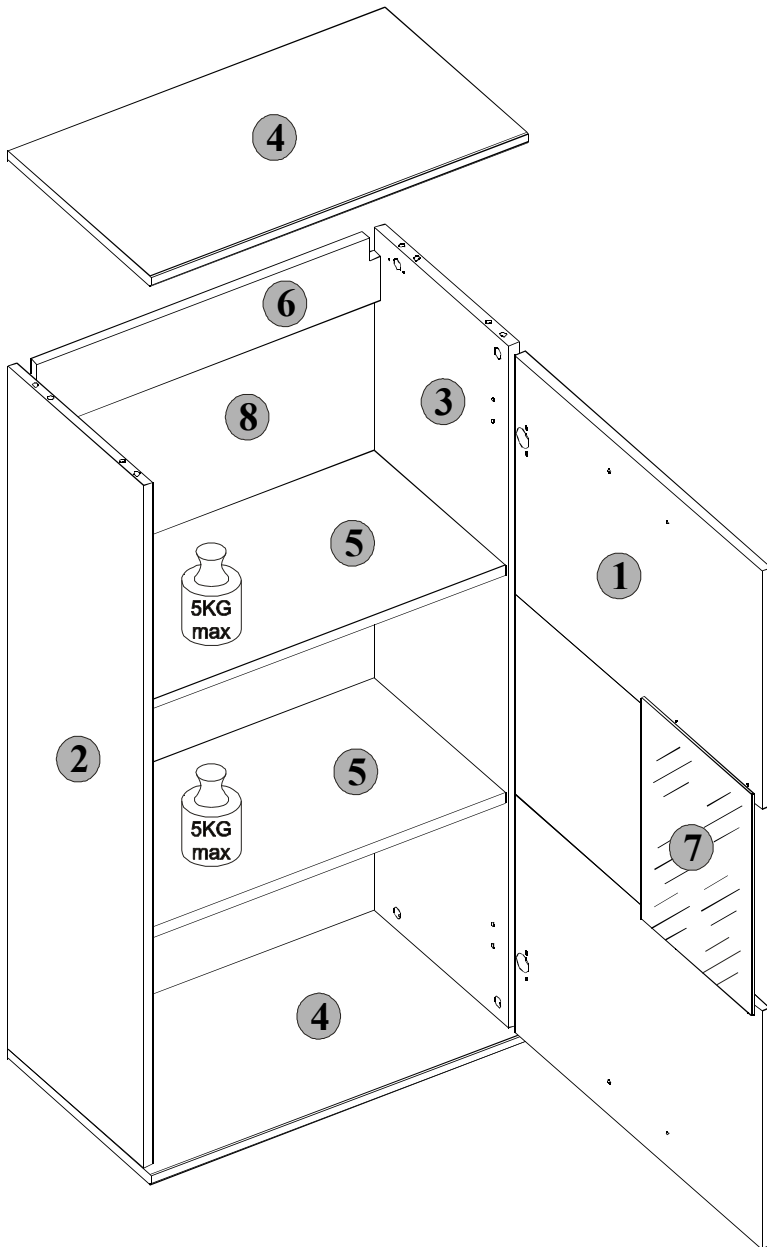
4



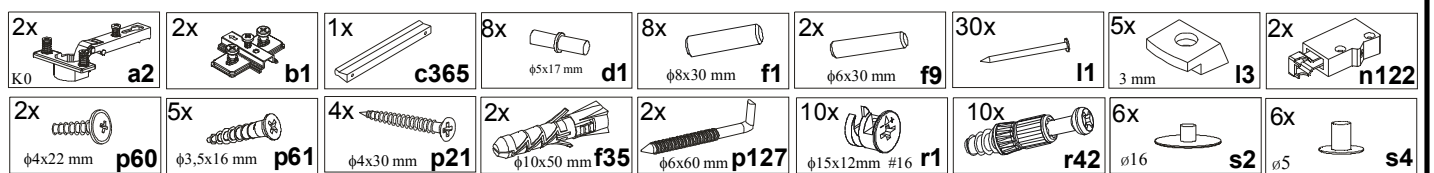
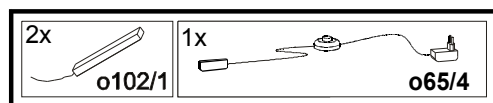
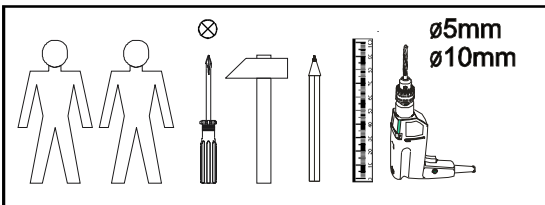
89-081
89-082

SPALT 1

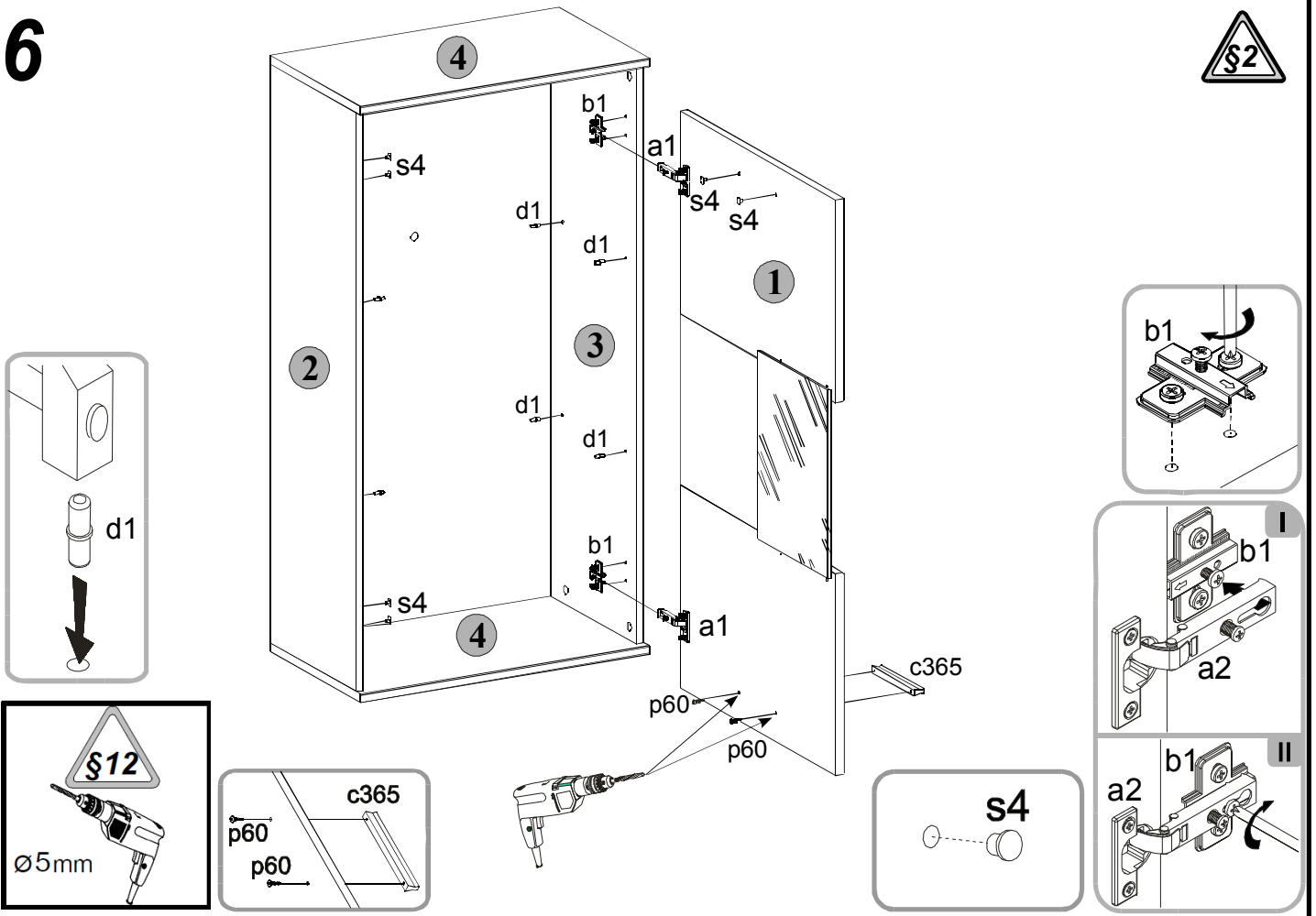
M191-SFW1W



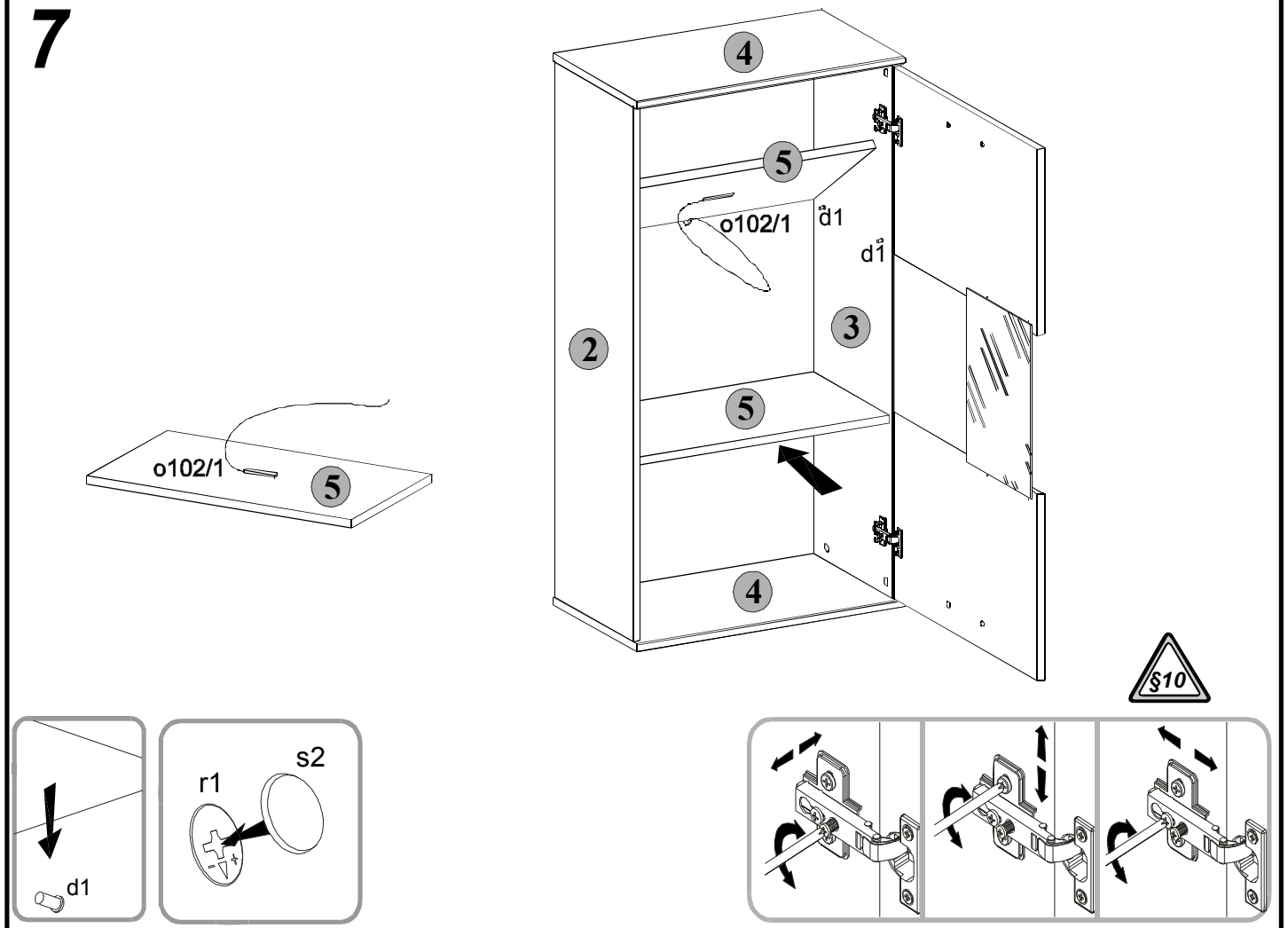
A	B	C	D
1	M191-001	1010x546	1
2	M191-103	1016x300	1
3	M191-104	1016x300	1
4	S302-204	550x318	1
5	M191-301	519x290	1
6	S302-401	519x100	1
7	M191-504	330x245	1
8	M191-902	988x544	1

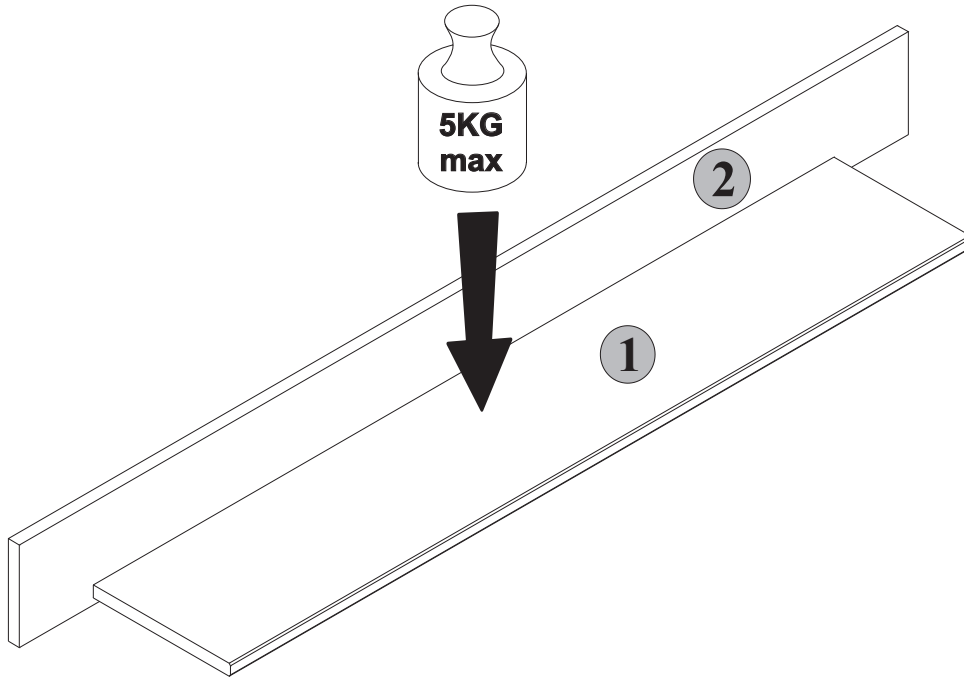


6

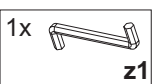
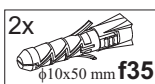
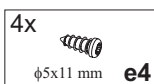
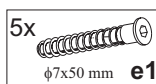
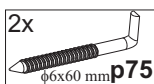
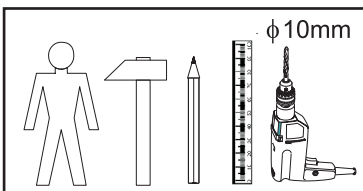


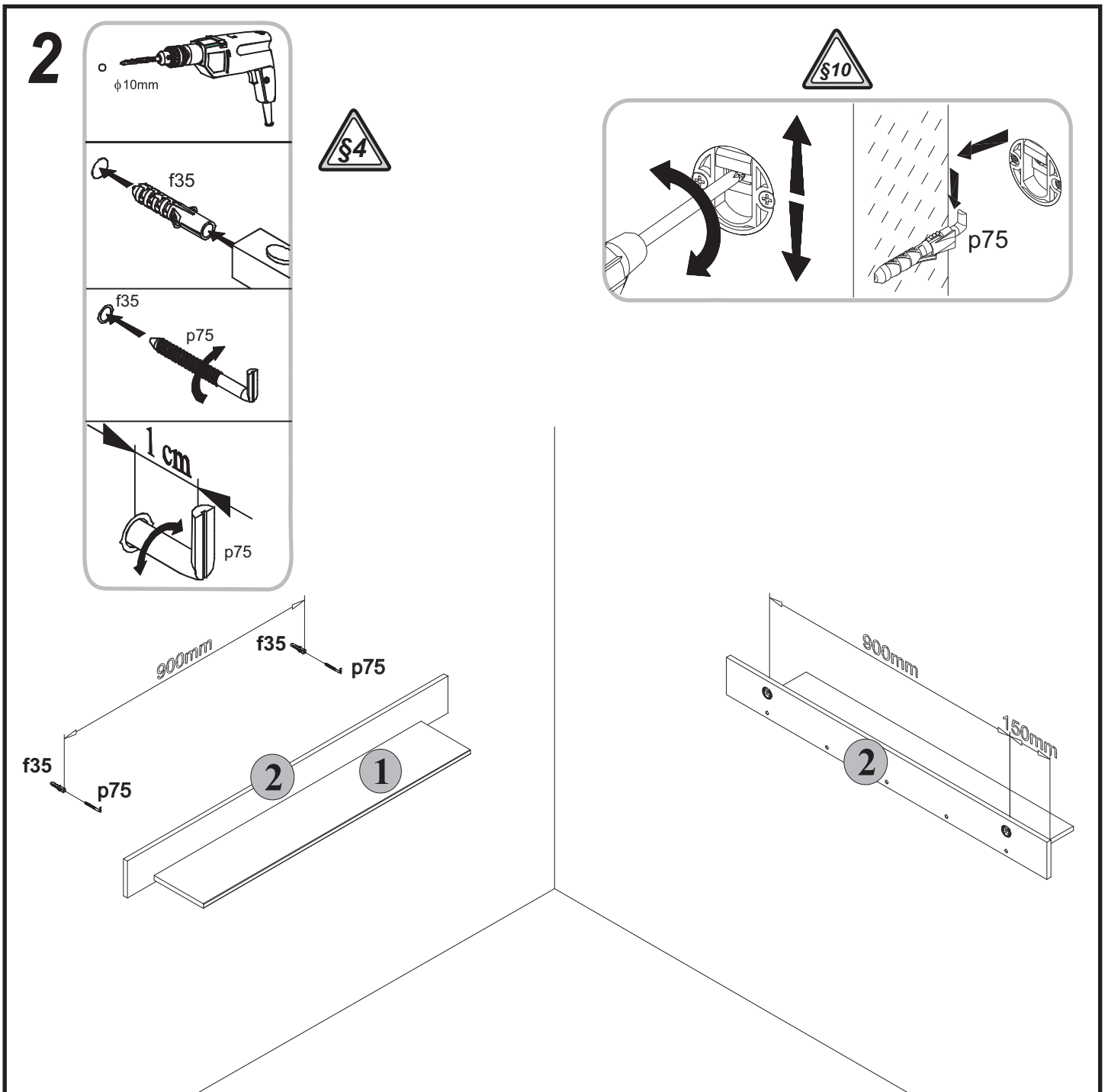
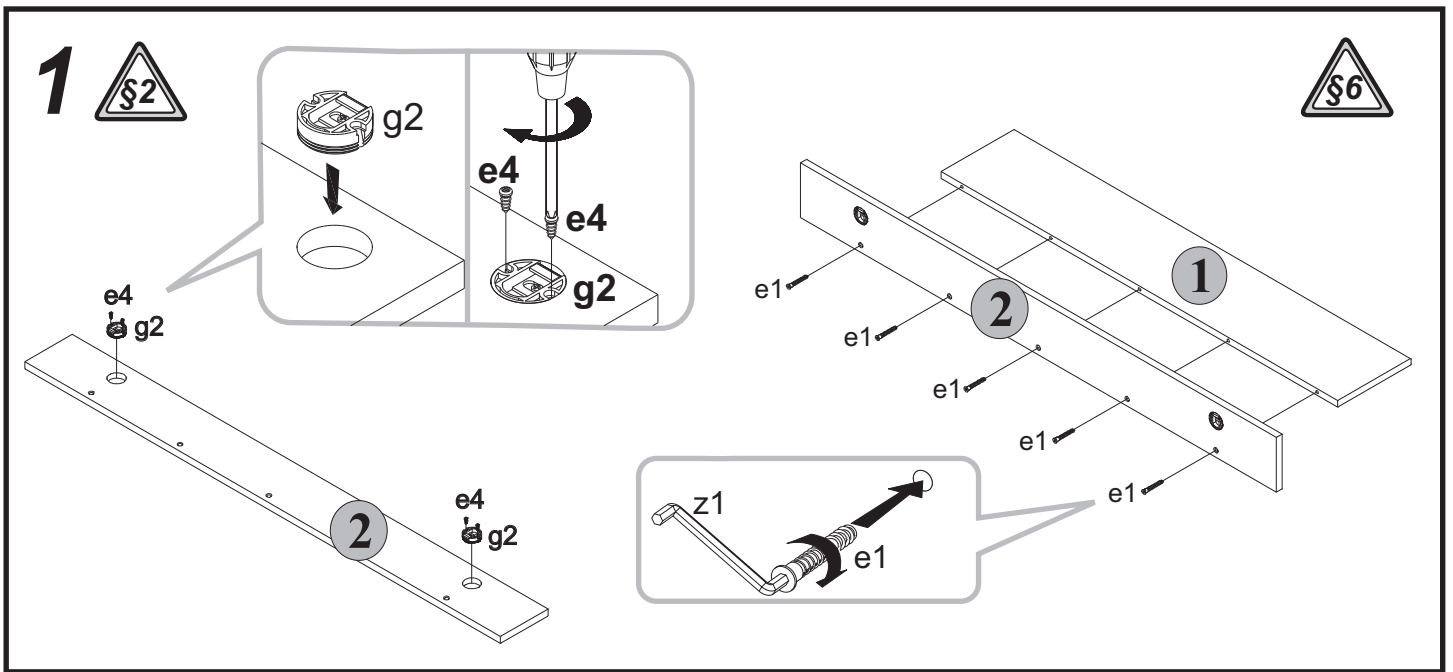
7

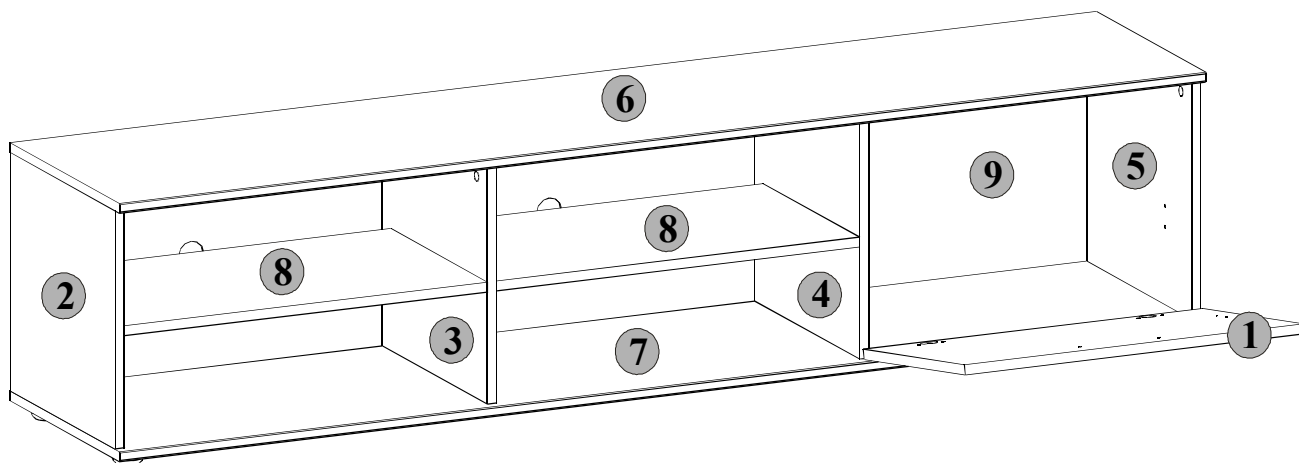
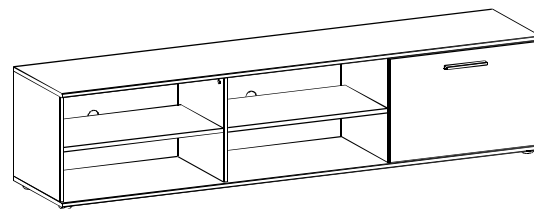




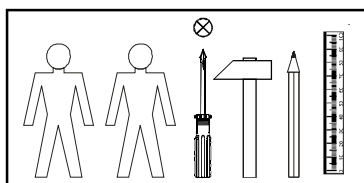
A	B	C	D
1	S302-201	1000x185	1/1
2	S302-501	1200x120	1/1





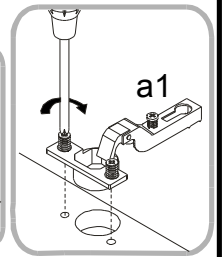
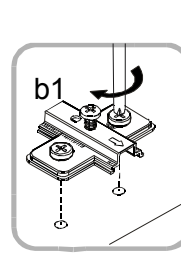
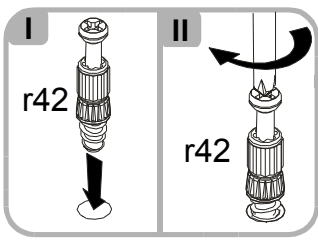
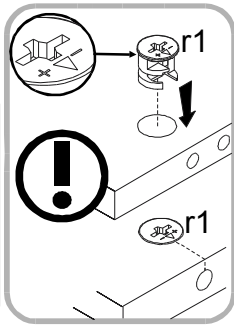
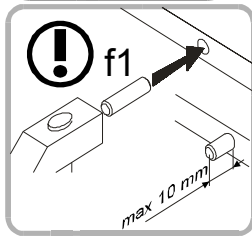
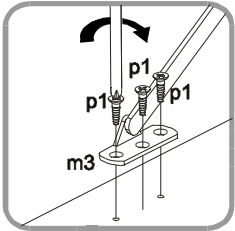
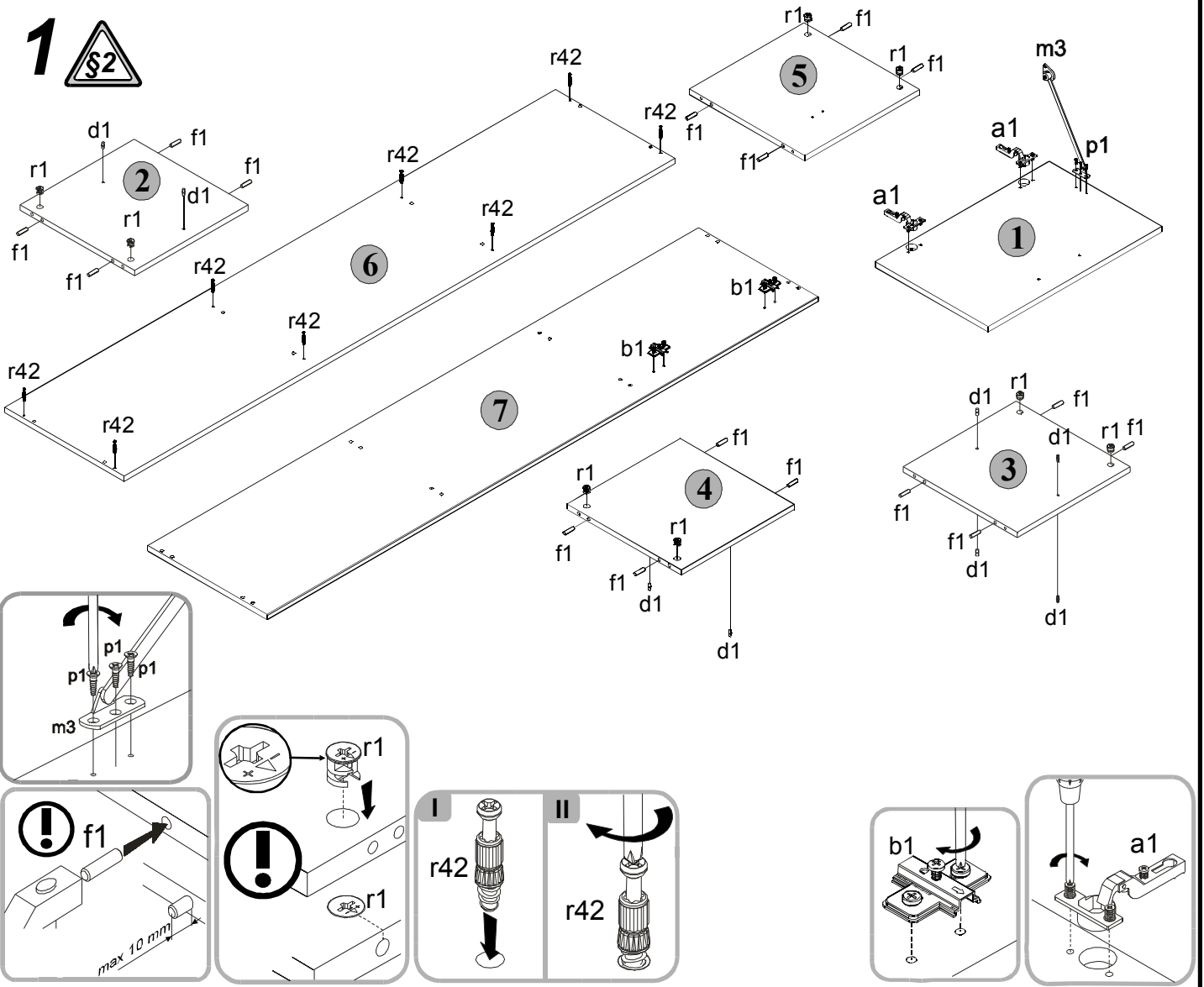


A	B	C	D
1	S302-001	546x354	4
2	S302-101	360x362	4
3	S302-102	360x362	4
4	S302-103	360x362	4
5	S302-104	360x362	4
6	S302-202	1748x380	4
7	S302-205	1748x380	4
8	S302-301	584x332	4
9	S302-901	1741x385	4

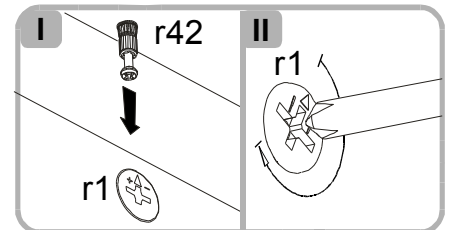
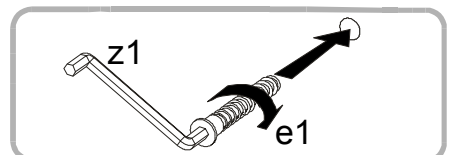
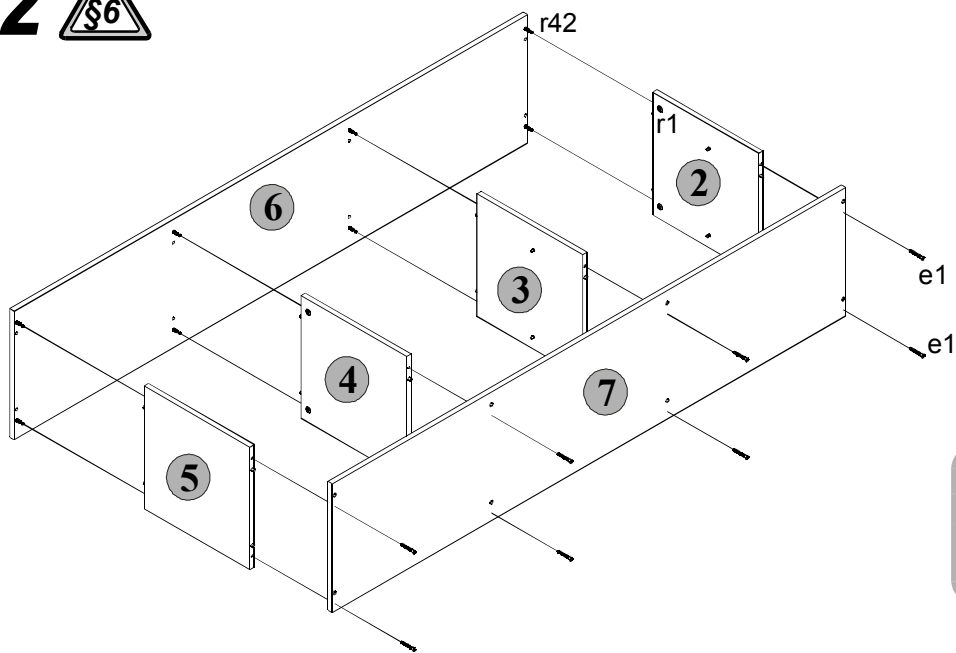


8x φ5x17 mm d1	4x ø16 s2	2x K16 a1	2x b1	1x c365	8x φ7x50 mm e1	2x φ6x13 mm e3	16x φ8x30 mm f1	
6x φ45x15 mm k50	50x l1	1x L-236 m3	3x φ3.5x13 mm p1	2x φ4x22 mm p60	6x φ4x20 mm p68	8x φ15x12mm #16 r1	8x r42	1x z1

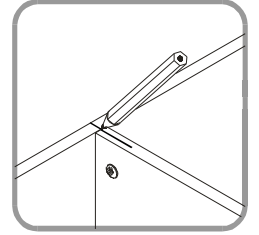
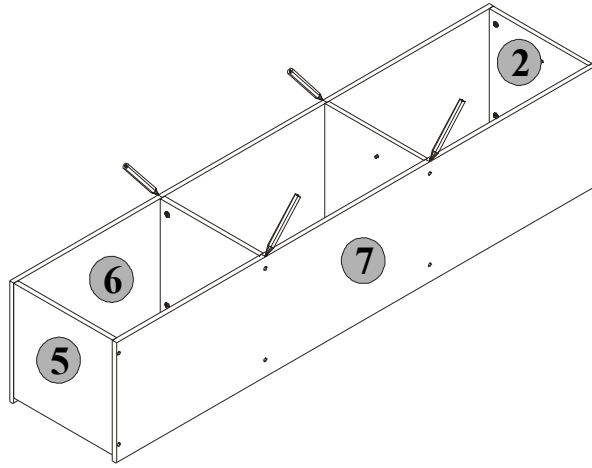
1



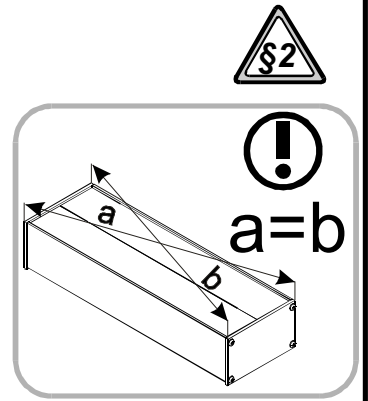
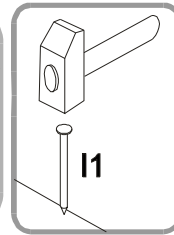
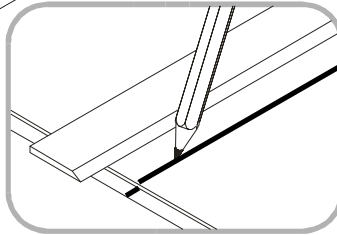
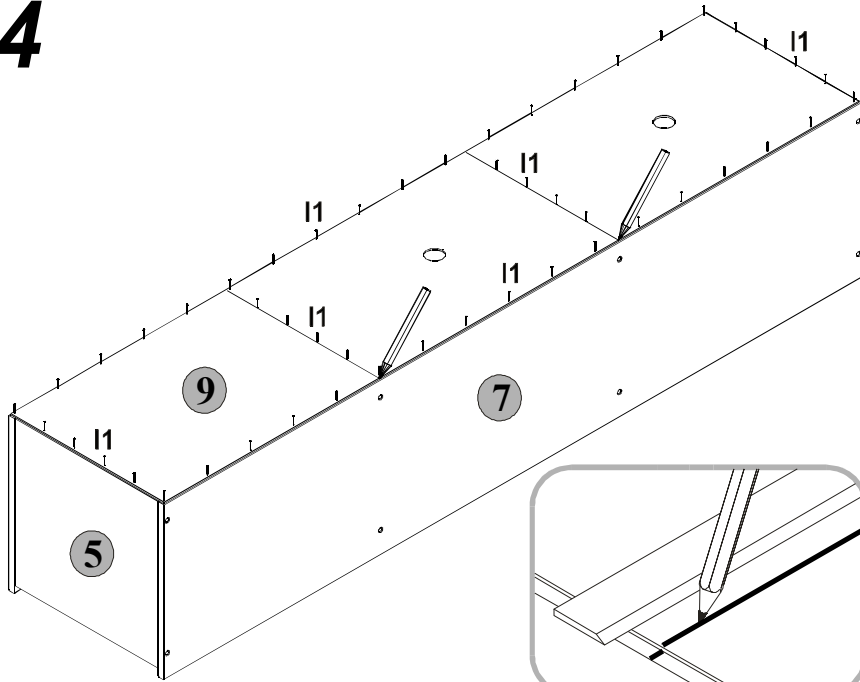
2



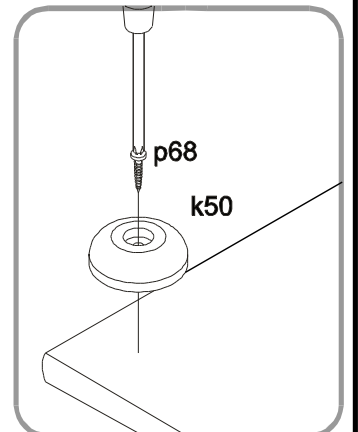
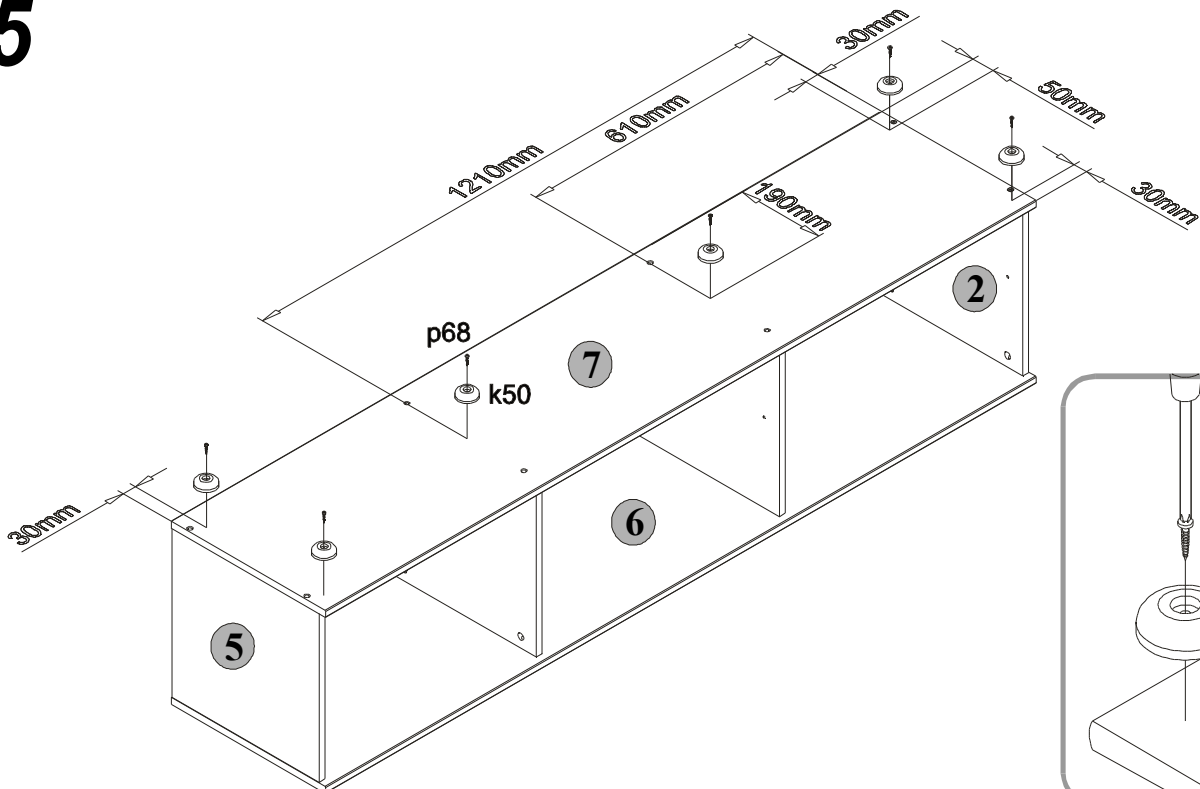
3



4



5



6

