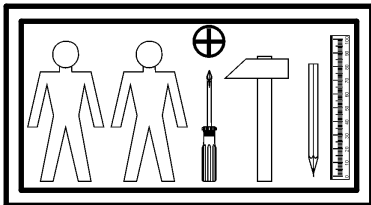
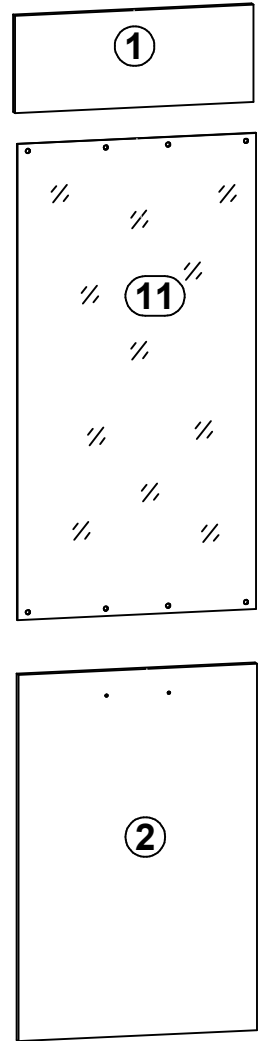
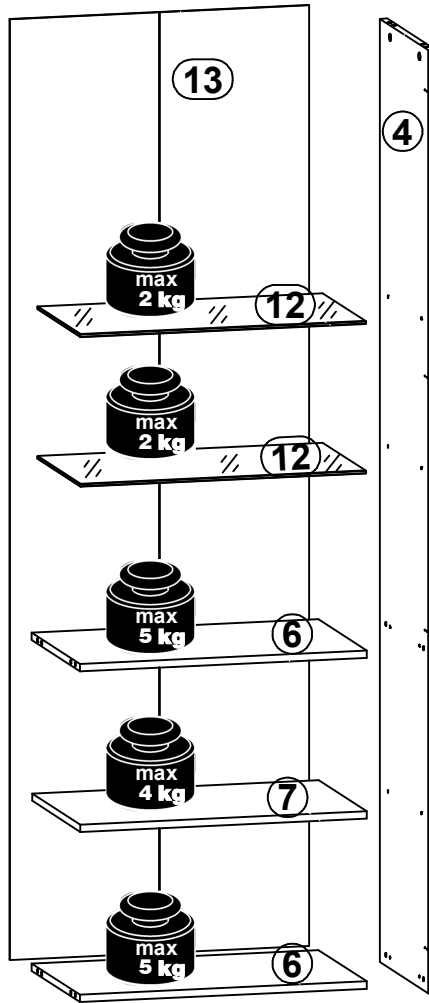
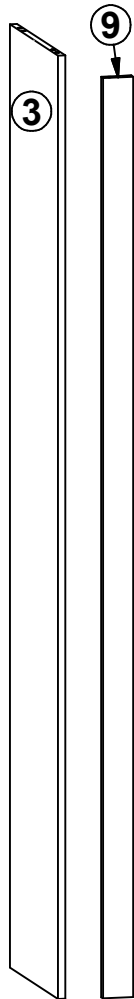
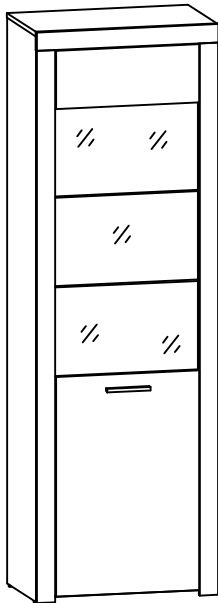
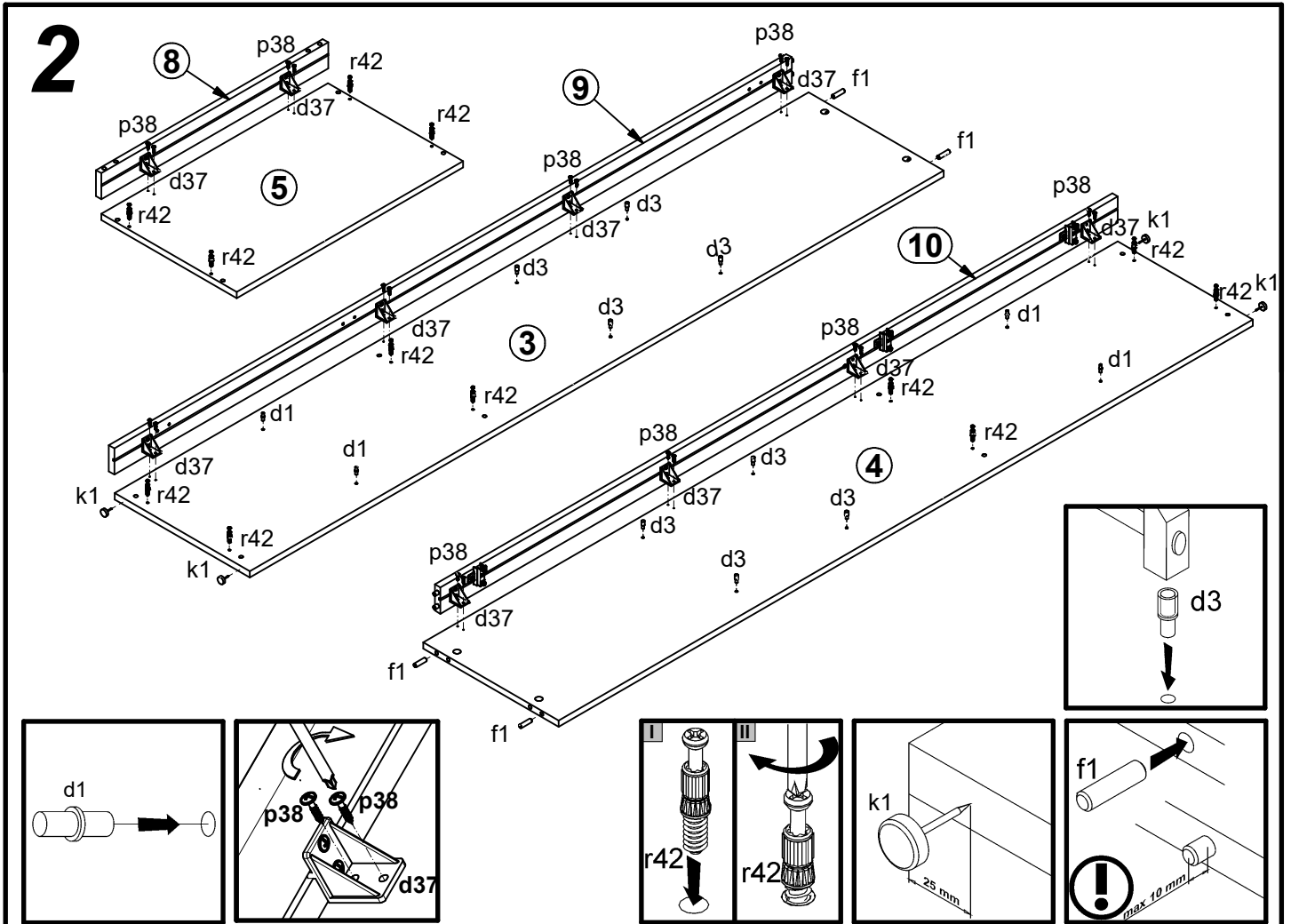
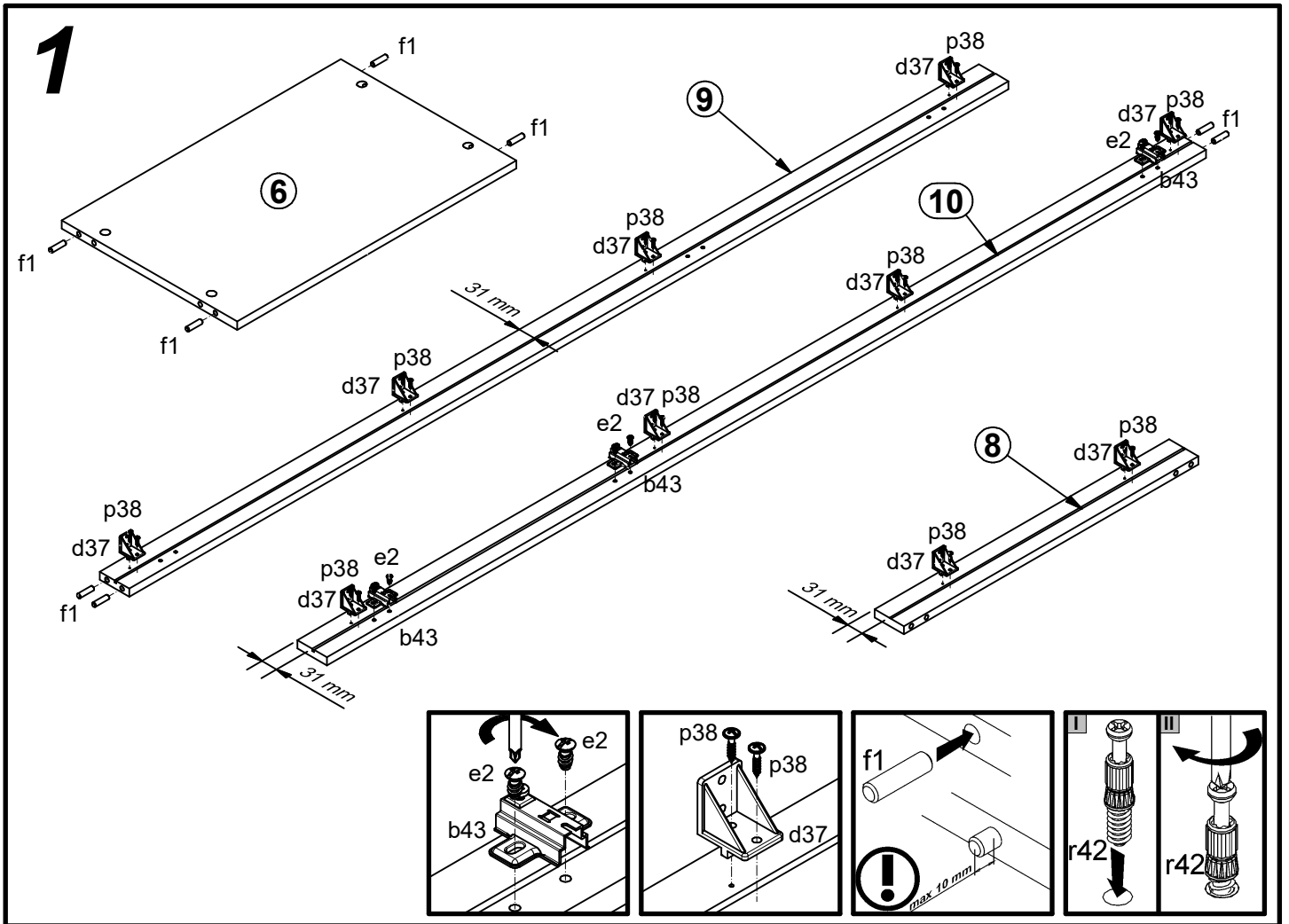


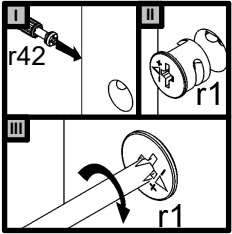
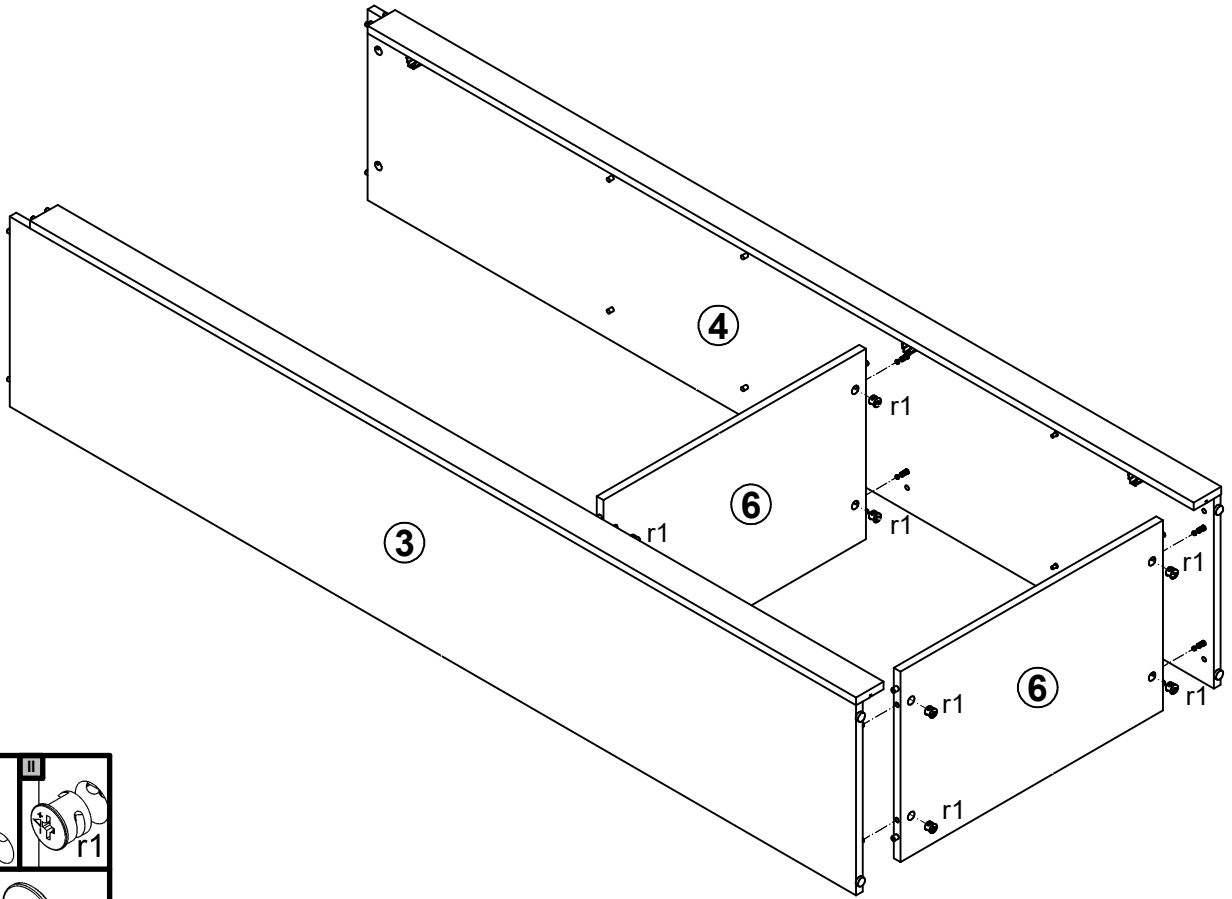
A	B	C	D
1	S382-0013	196	490 3/3
2	S382-0014	490	738 3/3
3	S382-1027	1900	370 1/3
4	S382-1028	1900	370 1/3
5	S382-2006	620	370 2/3
6	S382-3013	589	370 2/3
7	S382-3014	588	368 2/3
8	S382-5015	621	62 1/3
9	S382-5021	1854	62 1/3
10	S382-5022	1854	62 1/3
11	S382-5026	959	490 3/3
12	S382-5027	587	330 2/3
13	S382-9303	1895	615 1/3



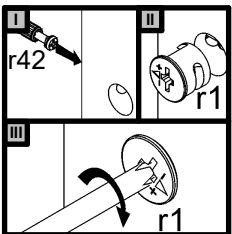
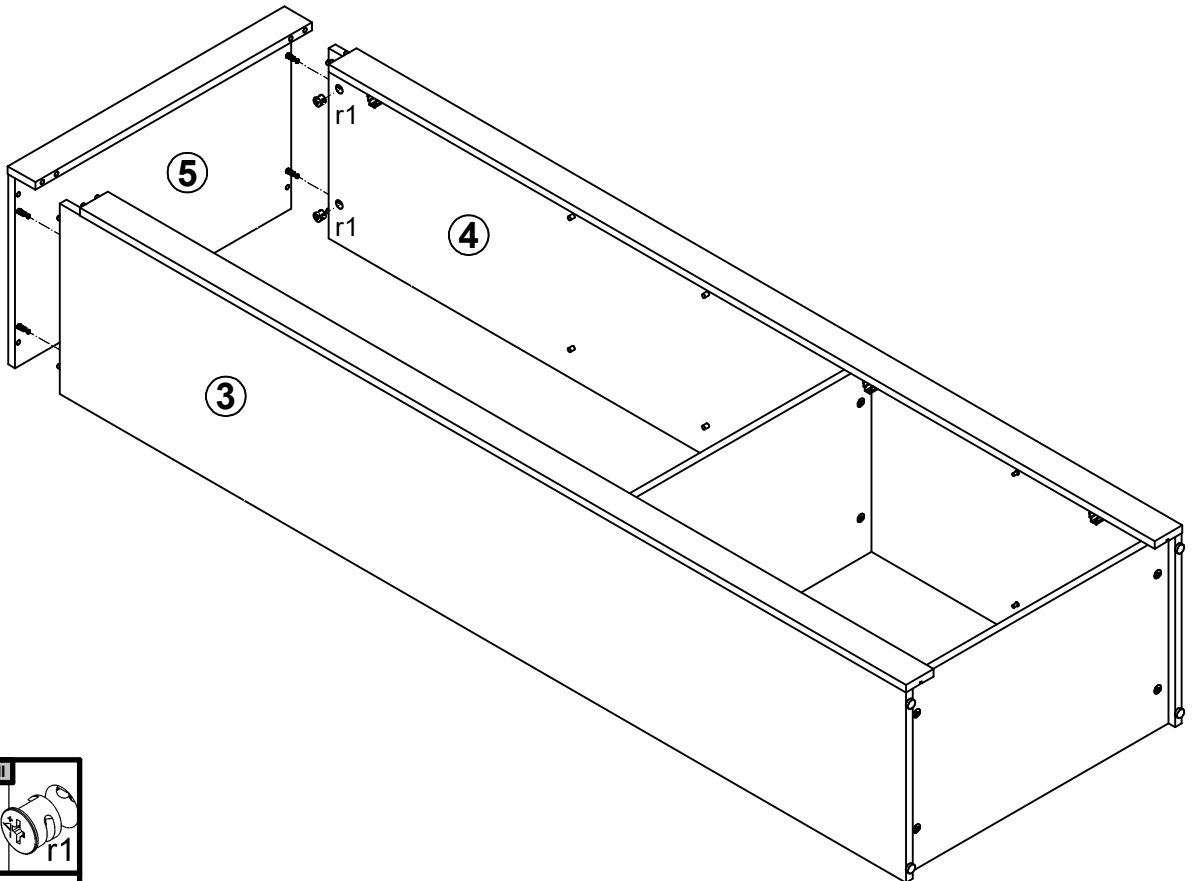
3x a132	3x b43	1x c328 128 mm	4x d1 Ø5x17 mm	8x d3 Ø5x17 mm	10x d37	6x e2 Ø6,3x13 mm	8x e41 Ø5x12 mm	16x f1 Ø8x30 mm	
4x k1	55x l1	8x o54 Ø5,3/Ø6,3x4,8 mm	40x p38 Ø3,5x16 mm	6x p51 Ø3,5x15 mm	2x p60 Ø4x22 mm	12x r1 Ø15x12 mm #16	12x r42 20/11	4x s2 Ø16	
								1x n2611	1x p38 Ø3,5x16 mm



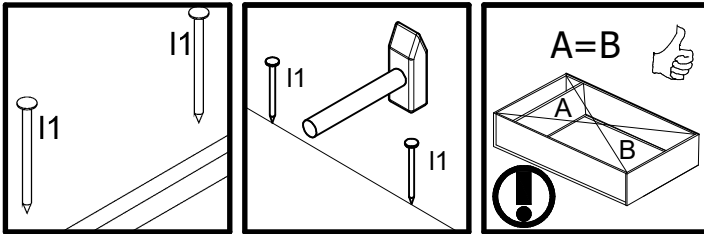
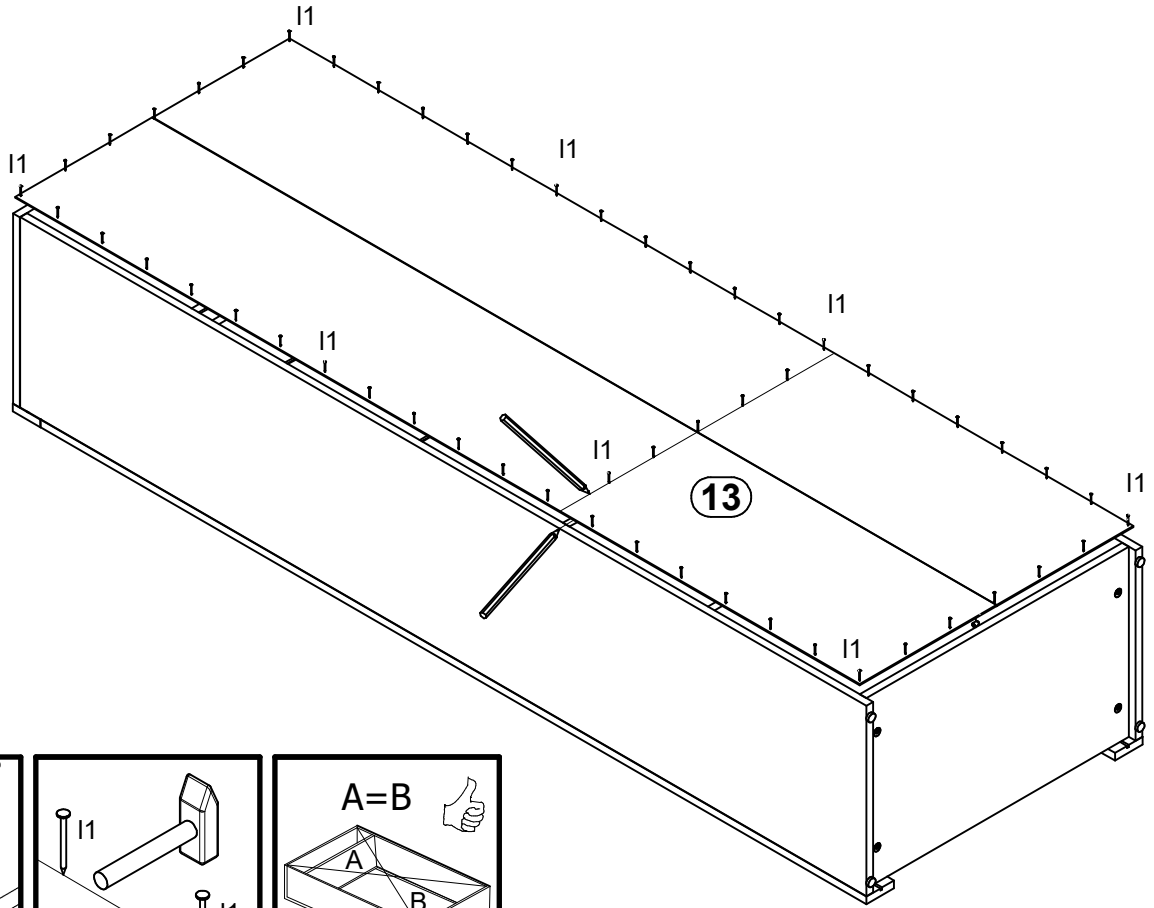
3



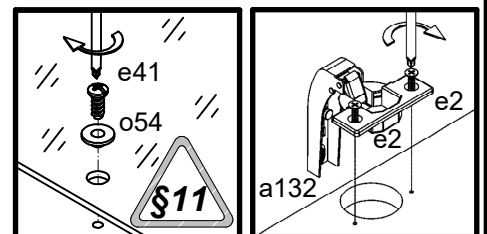
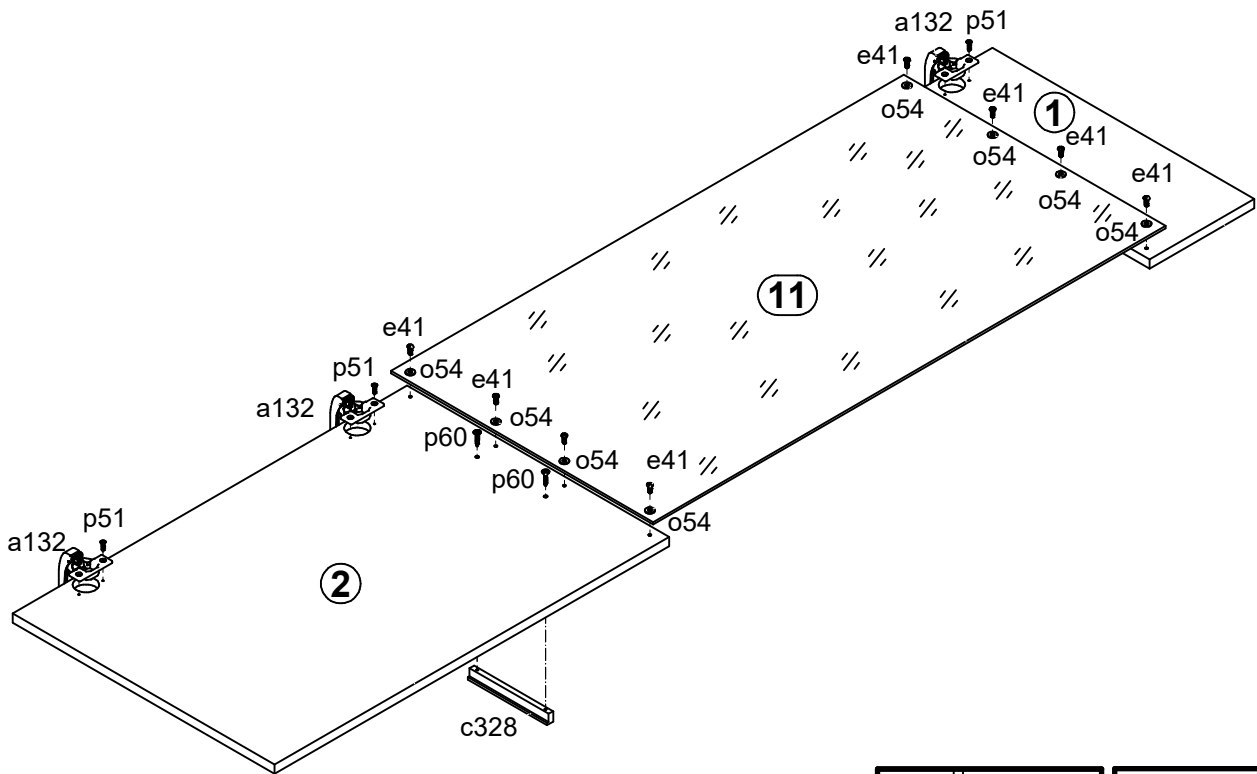
4



5



6



7

