
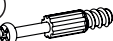

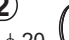





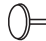










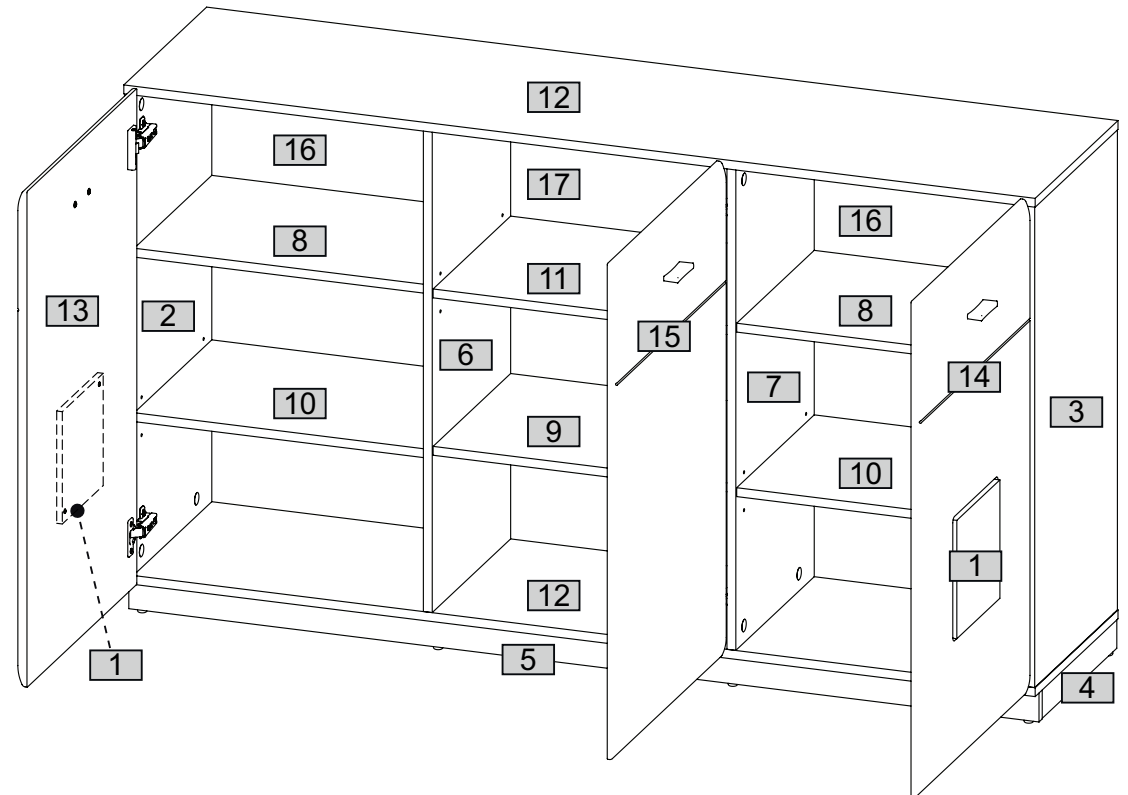


- B1**  ϕ 8x28 x28
- T1**  x32
- M1**  x32
- C2**  ϕ 20 x52
- W1**  x12
- F1**  x12
- P2**  3x16 x21
- P20**  3,5x20 x4
- J23**  x12
- F15**  x8

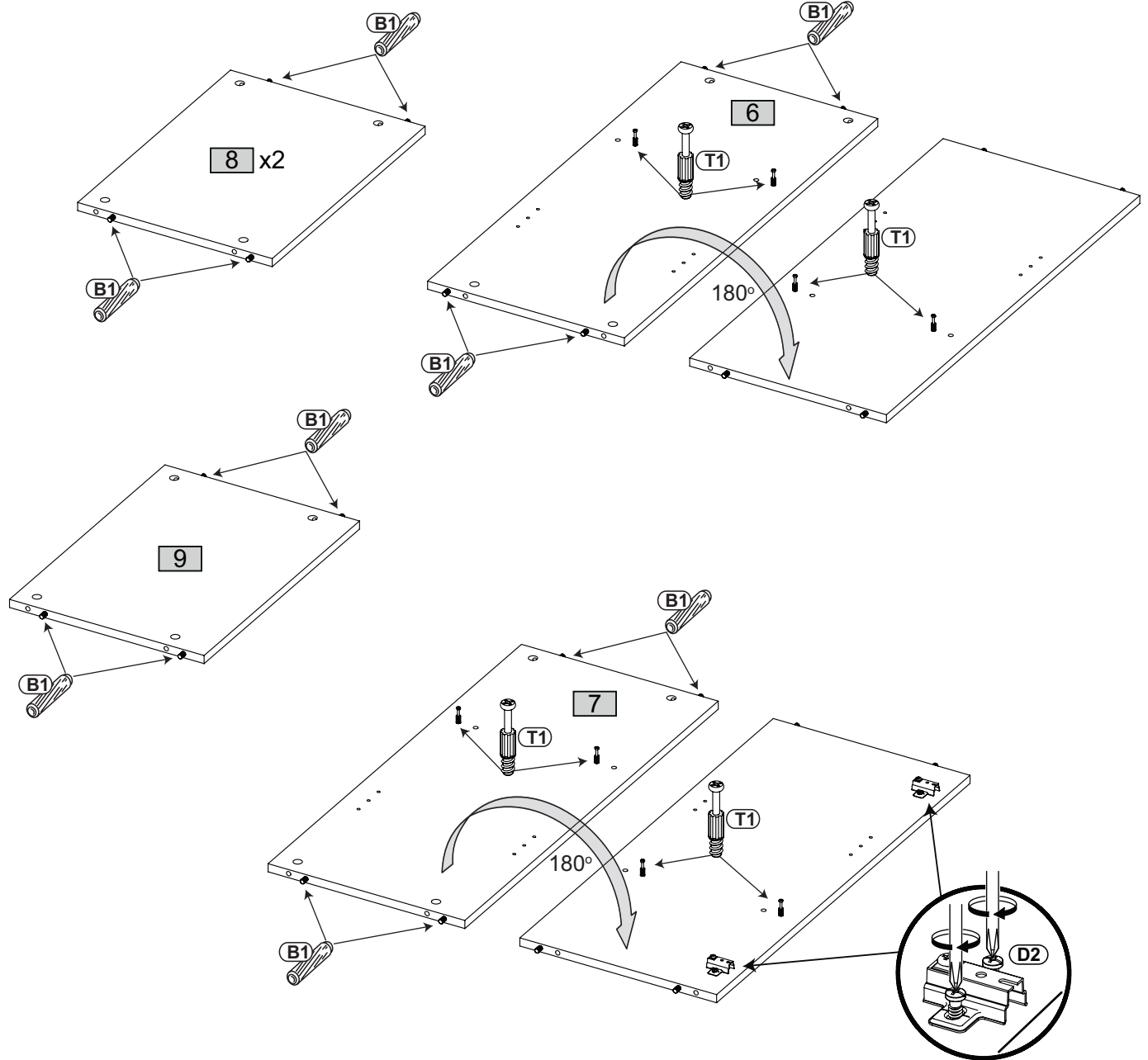
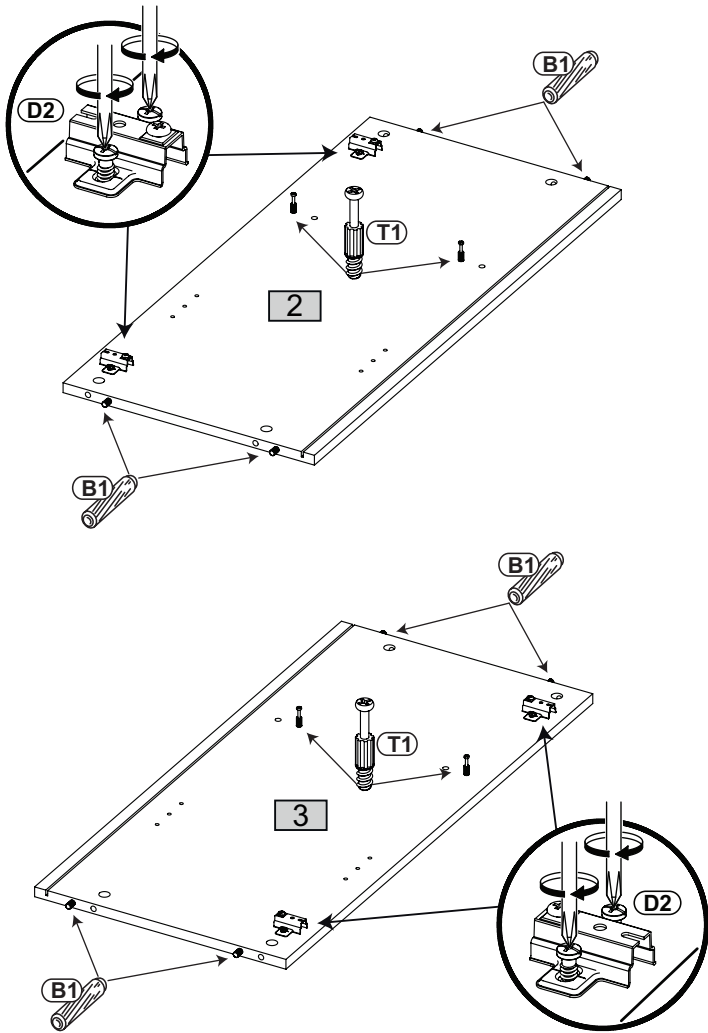
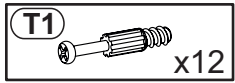
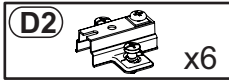
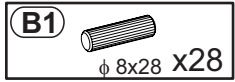
- X5**  x4
- X8**  x2
- S9**  4x16 x12
- X19**  x3
- D2**  x6
- U39**  x3
- A14**  M4x22 x6
- L21**  x7
- P13**  3,5x13 x32
- J11**  x2



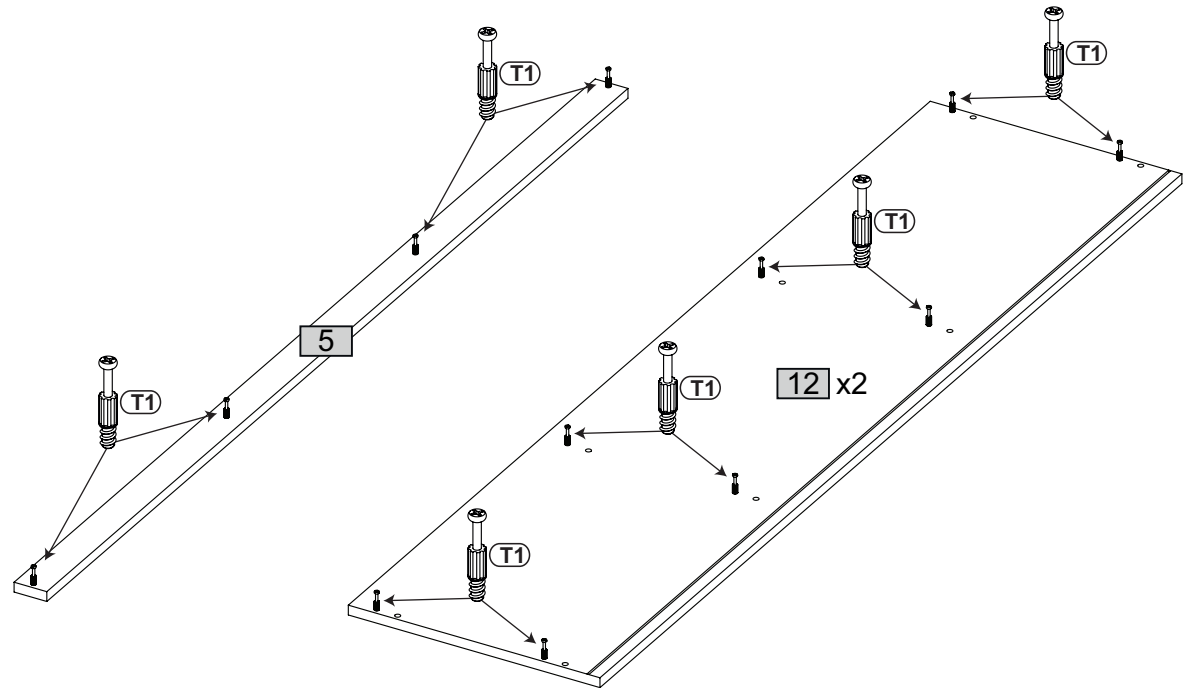
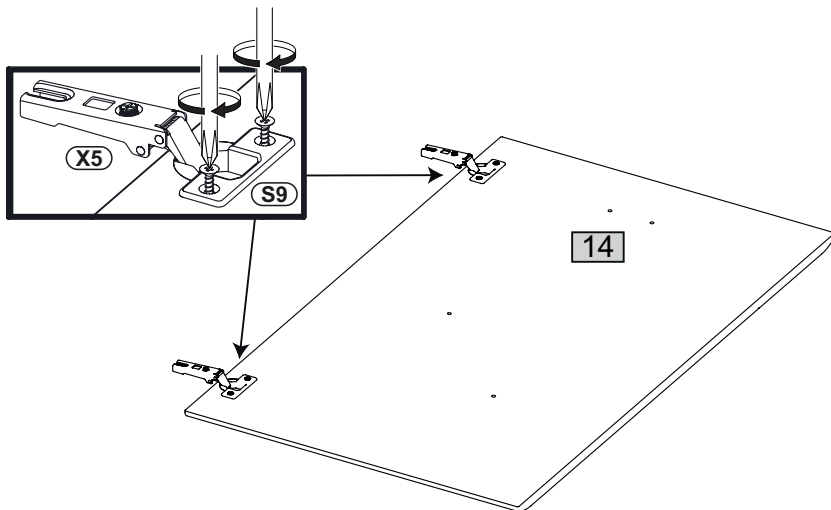
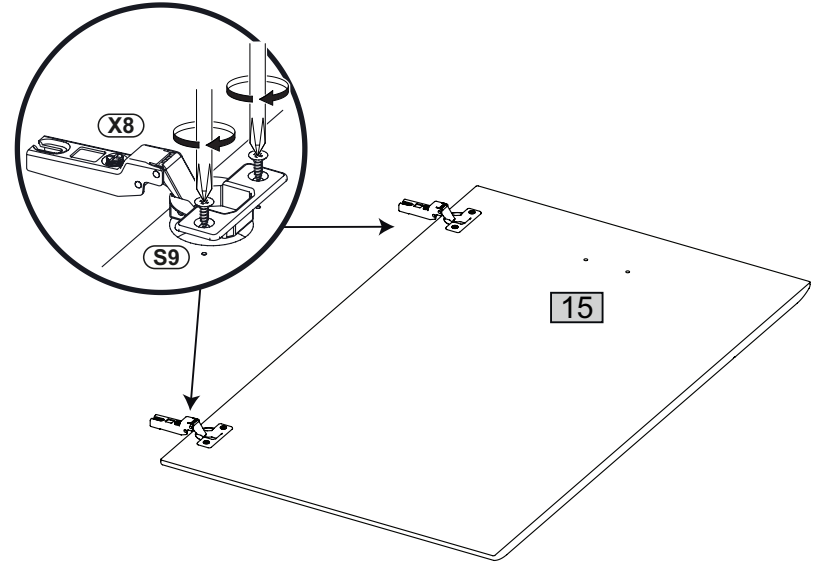
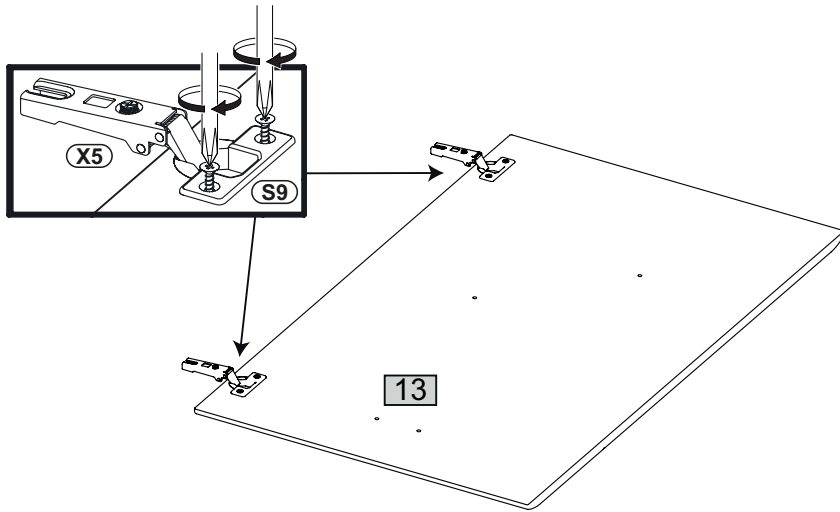
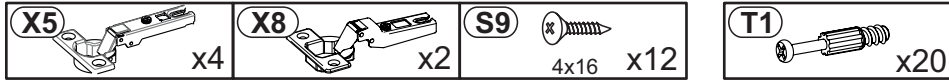
| Nr | Ausmaß | | | St | Colli |
|----|--------|-----|----|----|-------|
| 1 | 200 | 200 | 10 | 2 | 1 |
| 2 | 812 | 384 | 15 | 1 | 2 |
| 3 | 812 | 384 | 15 | 1 | 2 |
| 4 | 349 | 50 | 15 | 4 | 1 |
| 5 | 1538 | 50 | 15 | 1 | 1 |
| 6 | 812 | 364 | 15 | 1 | 2 |
| 7 | 812 | 364 | 15 | 1 | 2 |
| 8 | 490 | 360 | 15 | 2 | 1 |
| 9 | 498 | 360 | 15 | 1 | 1 |
| 10 | 490 | 360 | 15 | 2 | 1 |
| 11 | 498 | 360 | 15 | 1 | 1 |
| 12 | 1540 | 384 | 15 | 2 | 1 |
| 13 | 838 | 510 | 16 | 1 | 2 |
| 14 | 838 | 510 | 16 | 1 | 2 |
| 15 | 838 | 510 | 16 | 1 | 2 |
| 16 | 826 | 504 | 2 | 2 | 2 |
| 17 | 826 | 512 | 2 | 1 | 2 |



1

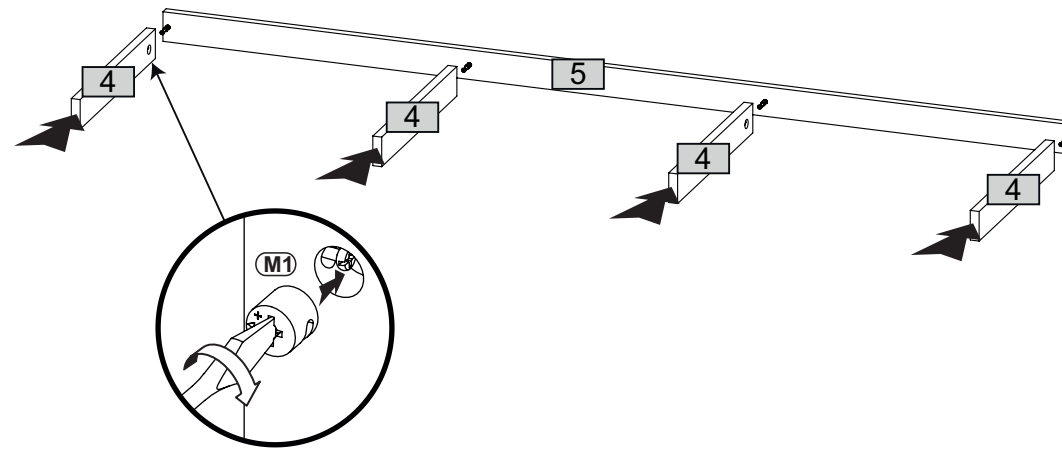


2



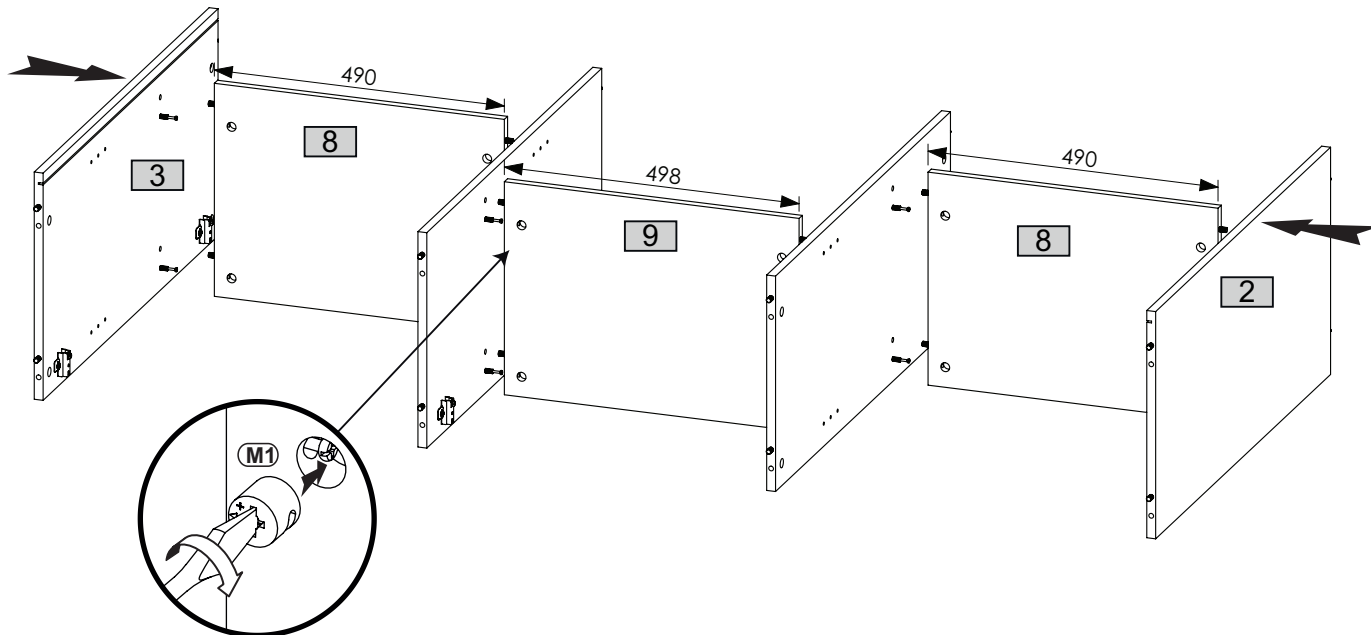
3

M1  x4

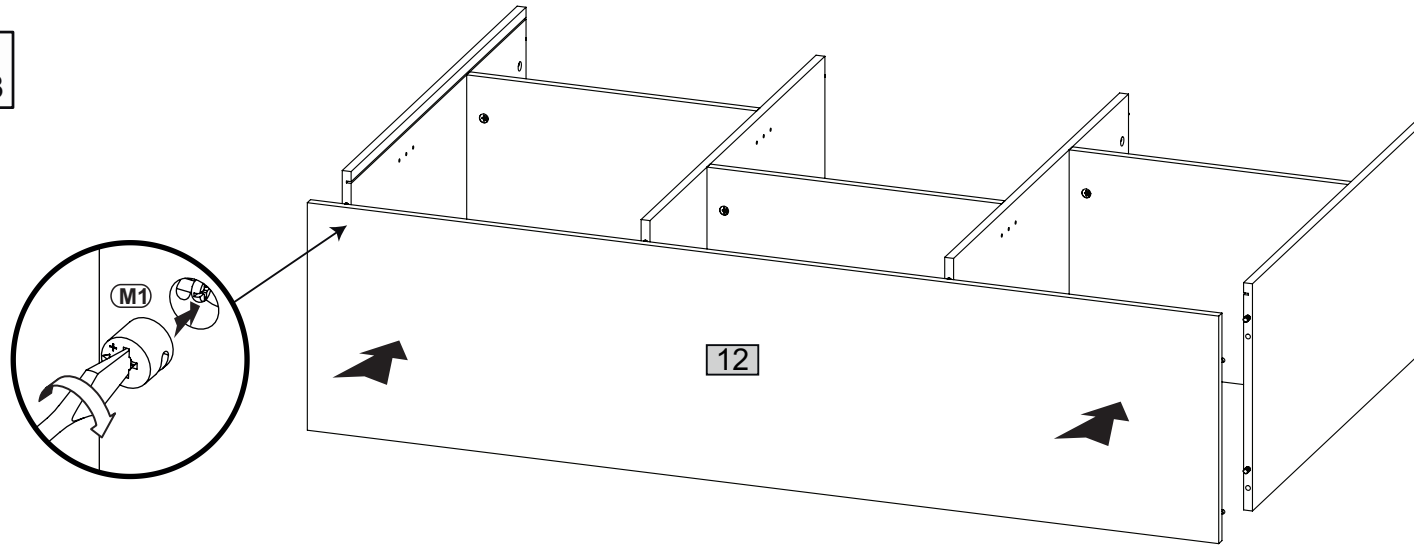


4

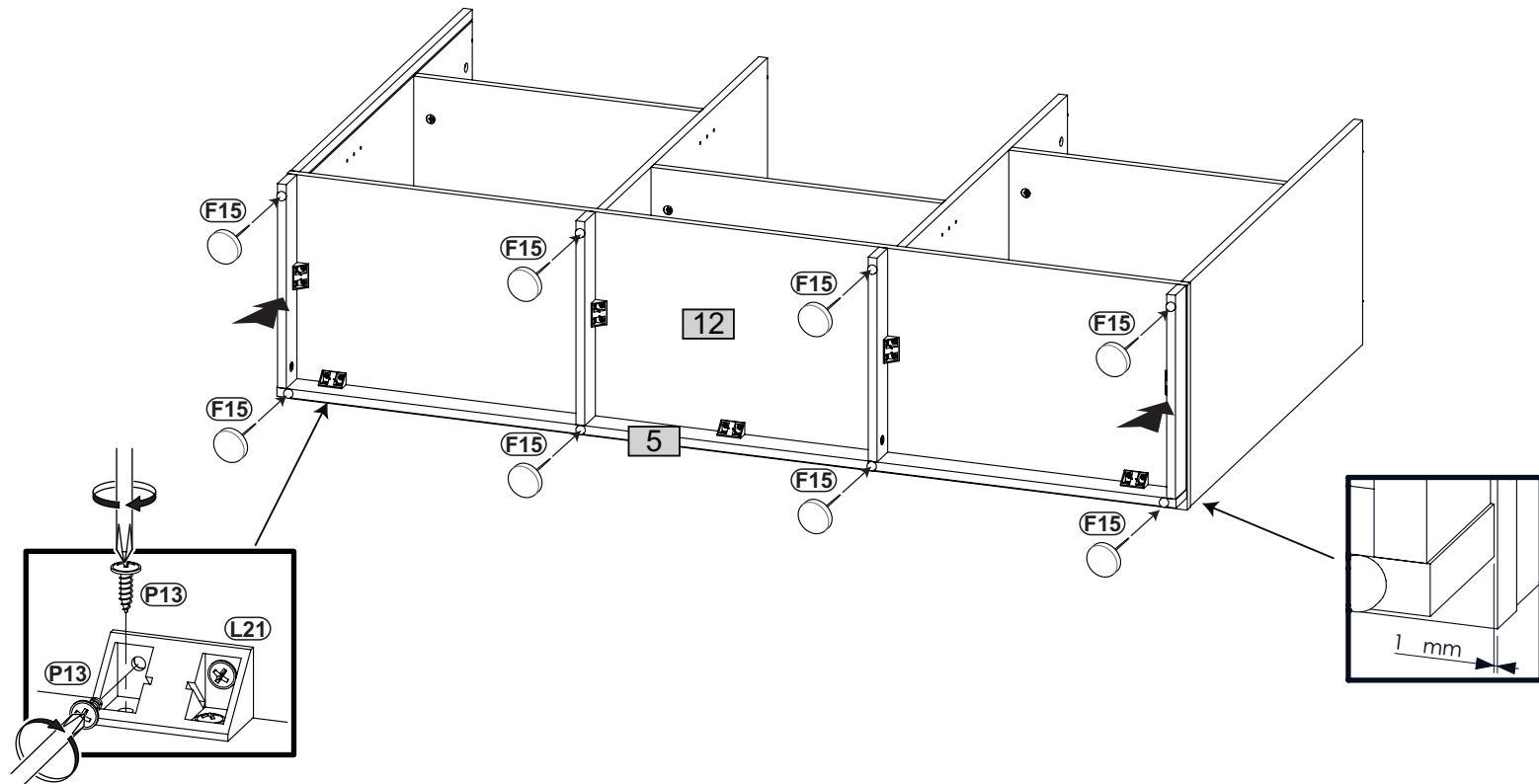
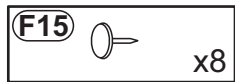
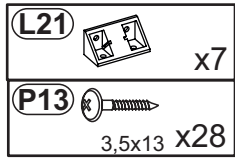
M1  x12



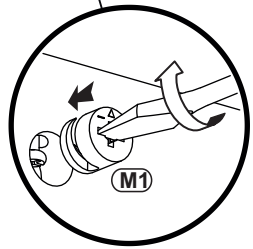
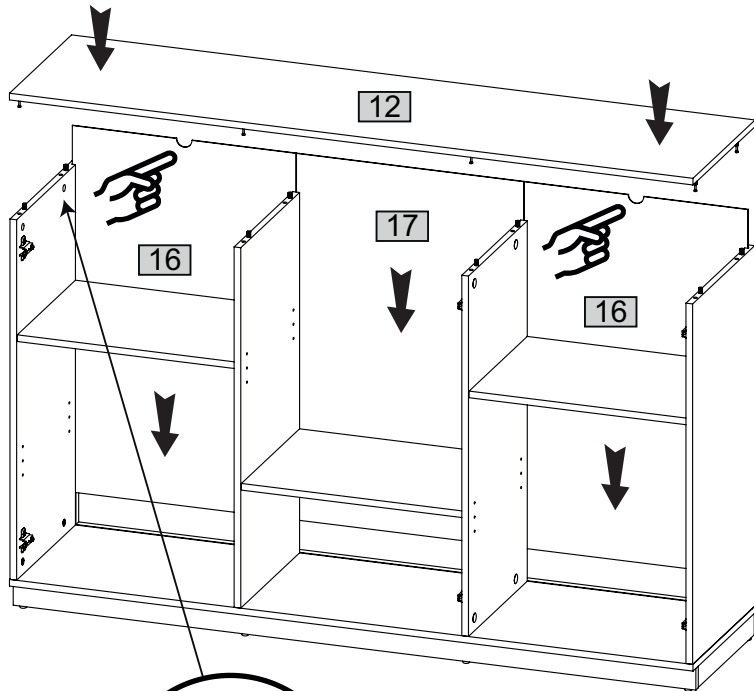
5



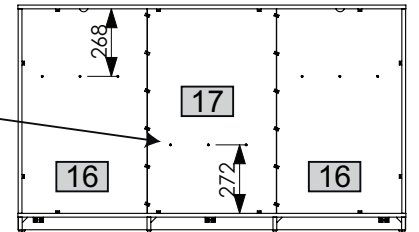
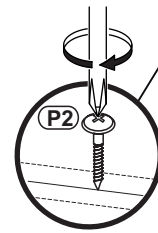
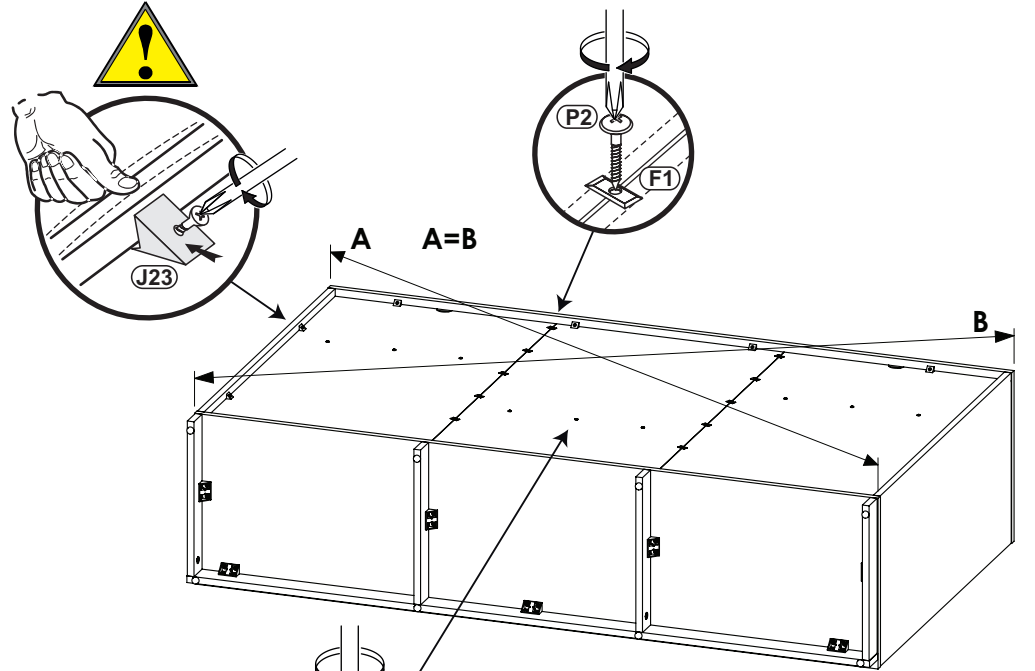
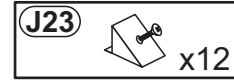
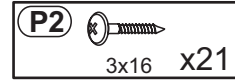
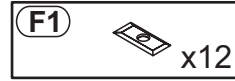
6



7



8



9

