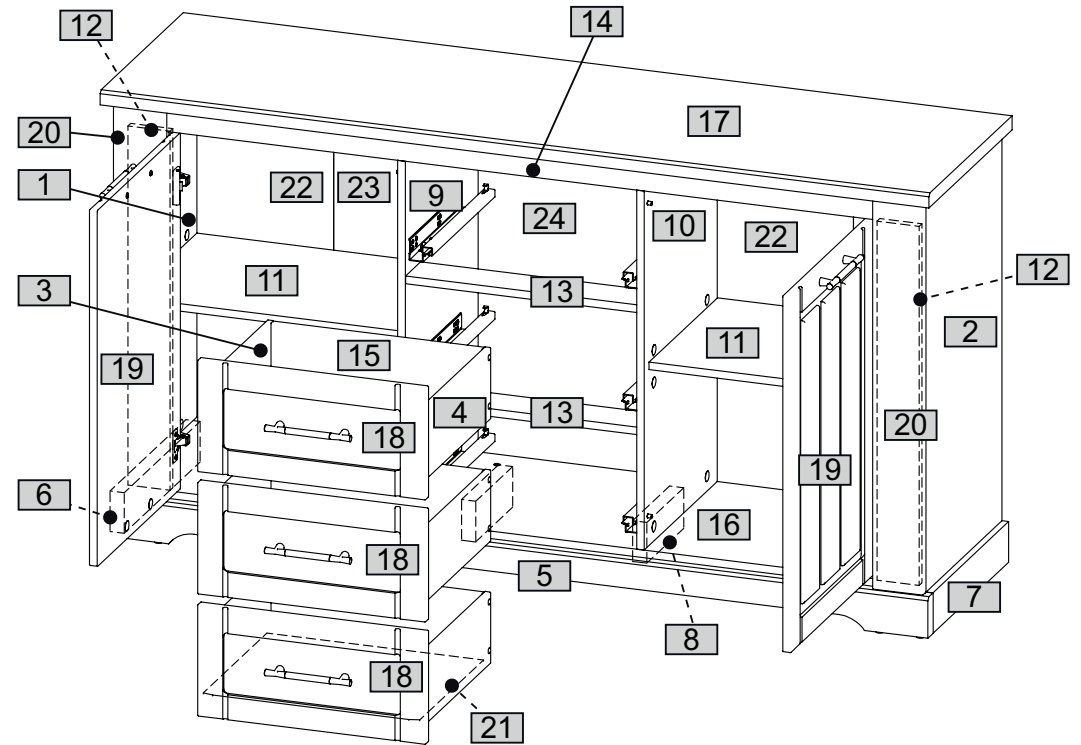
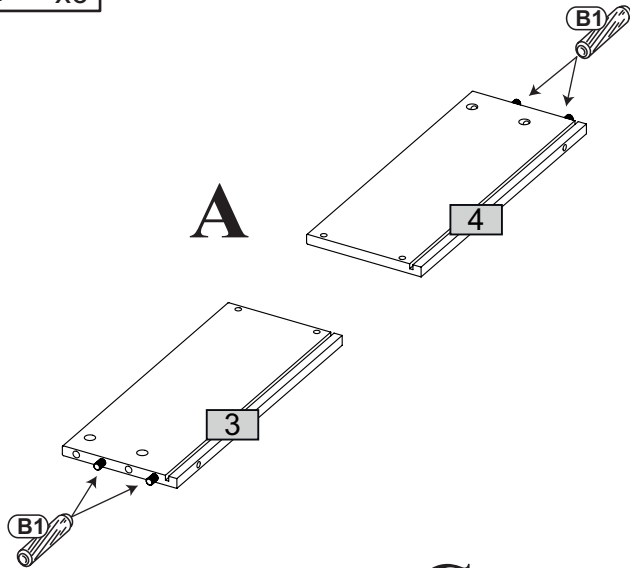
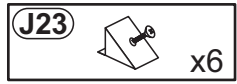
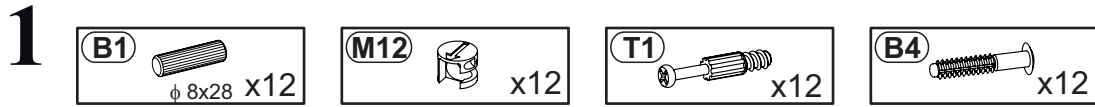


| Nr | Ausmaß | | St | Colli | |
|----|--------|-----|----|-------|---|
| 1 | 773 | 415 | 15 | 1 | 2 |
| 2 | 773 | 415 | 15 | 1 | 2 |
| 3 | 350 | 140 | 12 | 3 | 2 |
| 4 | 350 | 140 | 12 | 3 | 2 |
| 5 | 1622 | 80 | 28 | 1 | 1 |
| 6 | 411 | 80 | 28 | 1 | 1 |
| 7 | 411 | 80 | 28 | 1 | 1 |
| 8 | 200 | 80 | 28 | 2 | 1 |
| 9 | 758 | 395 | 15 | 1 | 2 |
| 10 | 758 | 395 | 15 | 1 | 2 |
| 11 | 539 | 370 | 15 | 2 | 2 |
| 12 | 708 | 83 | 15 | 2 | 2 |
| 13 | 456 | 82 | 15 | 2 | 1 |
| 14 | 1564 | 50 | 15 | 1 | 1 |
| 15 | 416 | 140 | 12 | 3 | 2 |
| 16 | 1565 | 415 | 15 | 1 | 1 |
| 17 | 1634 | 450 | 28 | 1 | 1 |
| 18 | 450 | 220 | 16 | 3 | 2 |
| 19 | 702 | 450 | 16 | 2 | 1 |
| 20 | 773 | 100 | 16 | 2 | 2 |
| 21 | 427 | 349 | 2 | 3 | 2 |
| 22 | 772 | 470 | 2 | 1 | 1 |
| 48 | 772 | 276 | 2 | 2 | 2 |
| 49 | 772 | 276 | 2 | 2 | 2 |

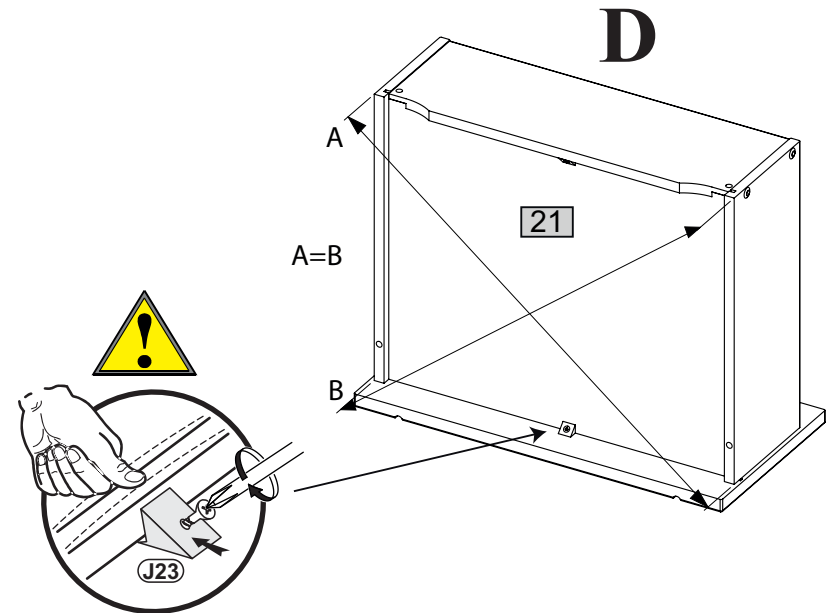
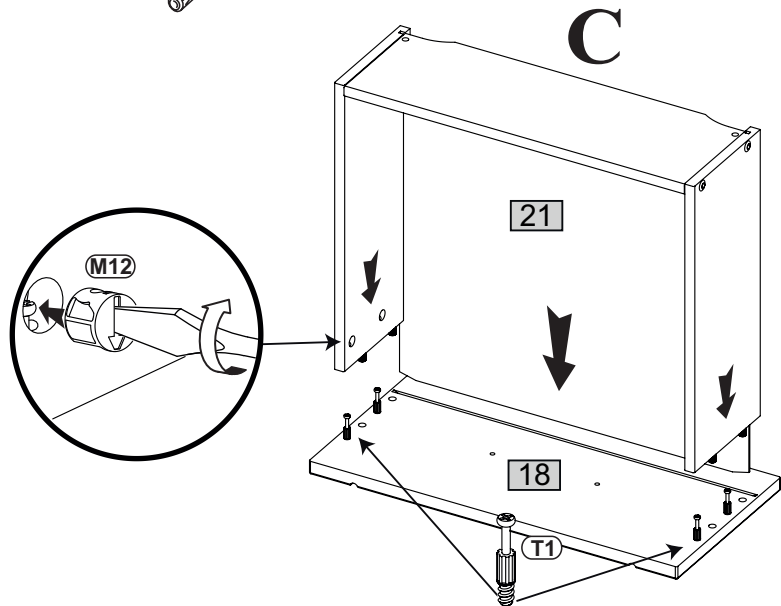
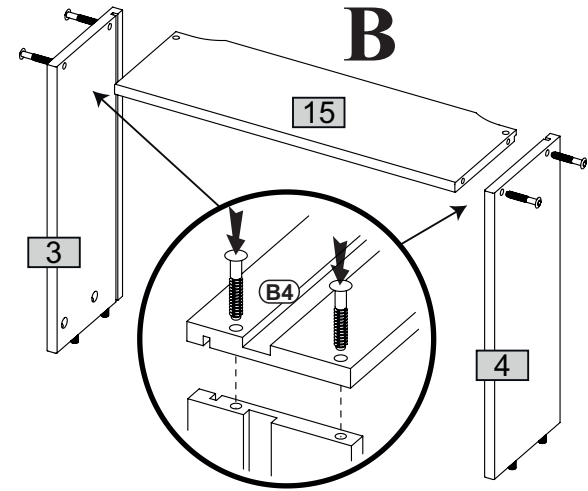


0 10 20 30 40 50 60 70 80 90 100 110 120 130 140 150 160 170 180 190 200

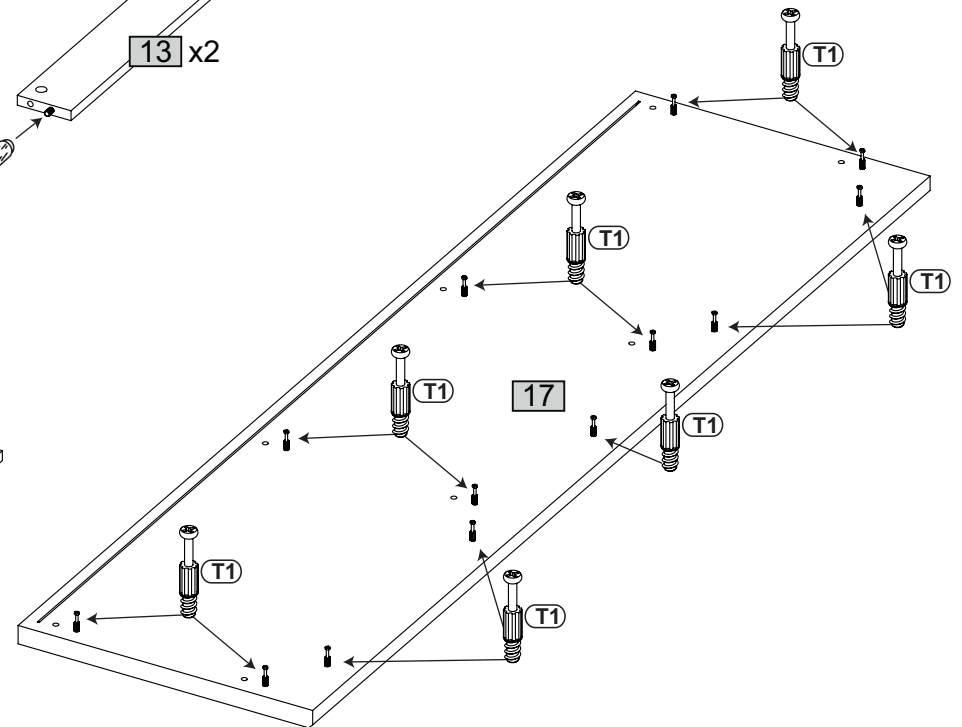
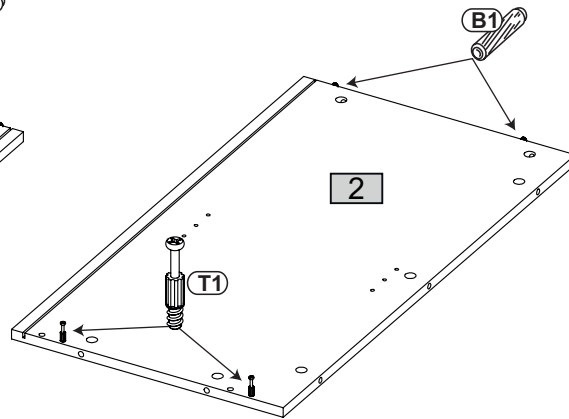
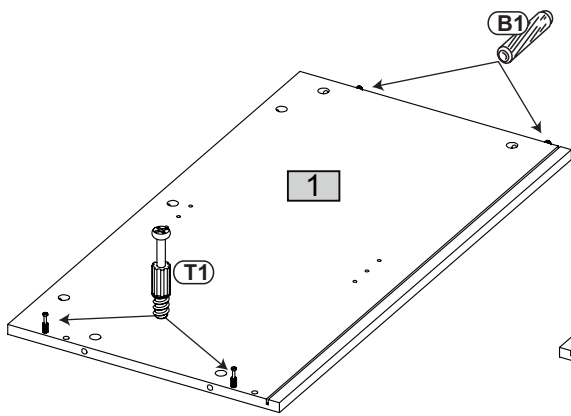
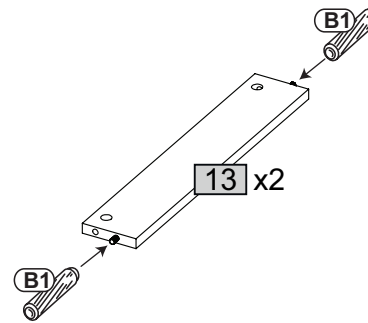
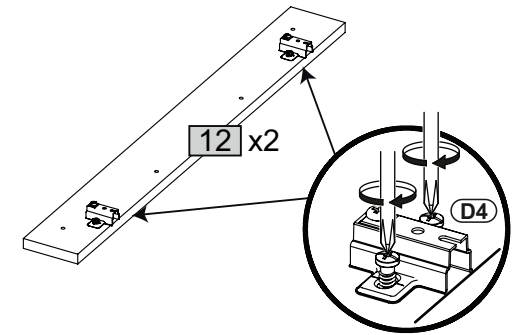
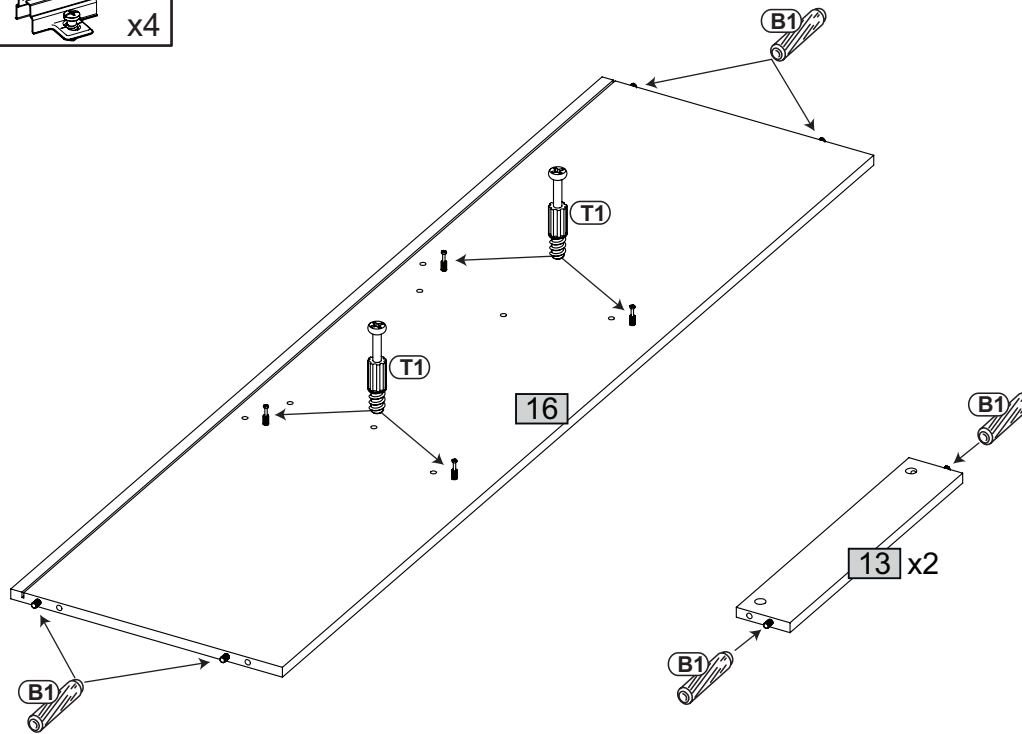
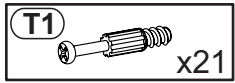
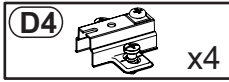
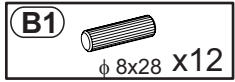




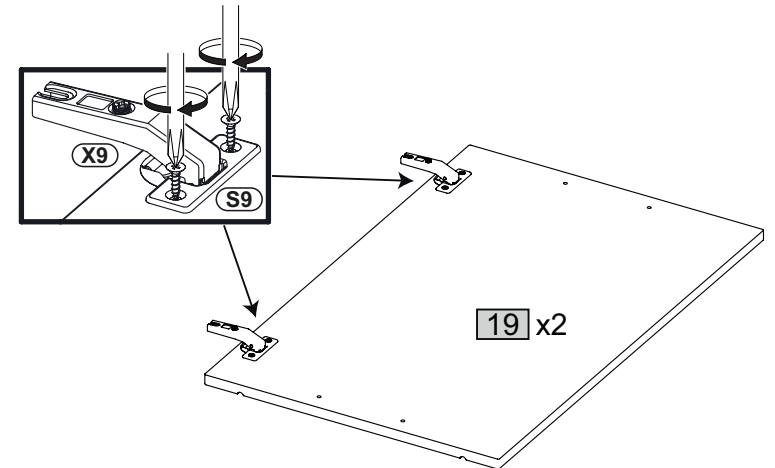
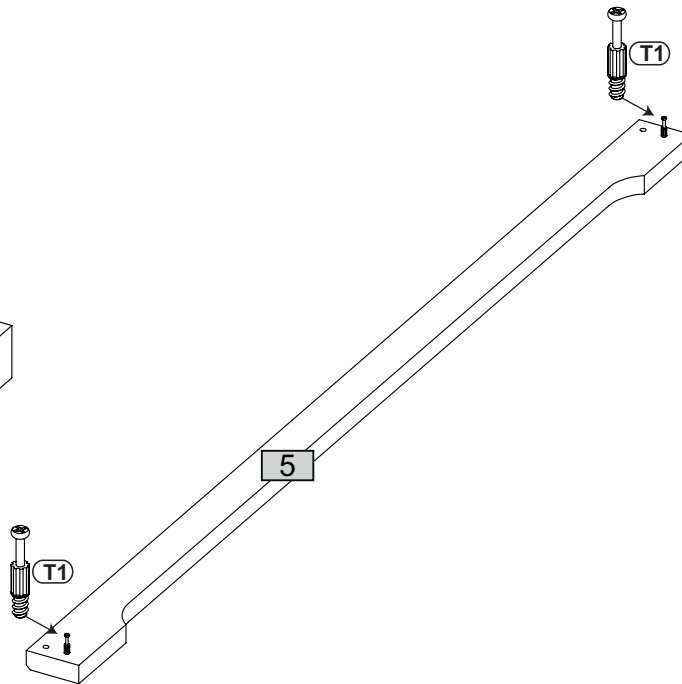
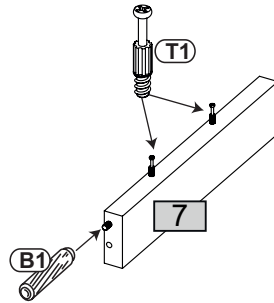
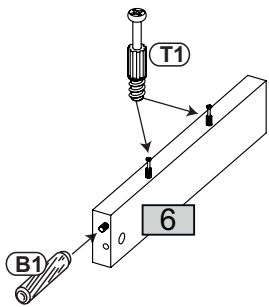
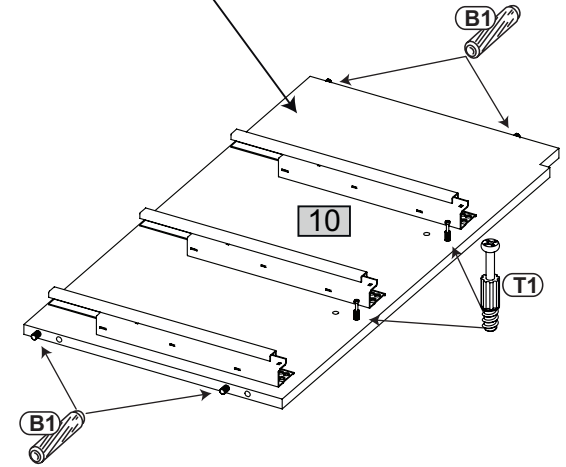
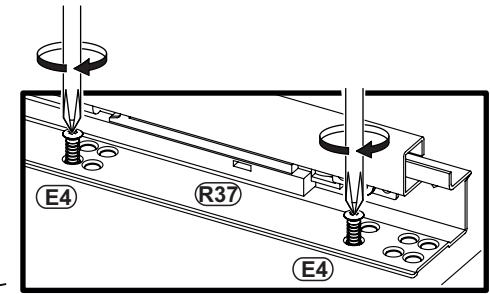
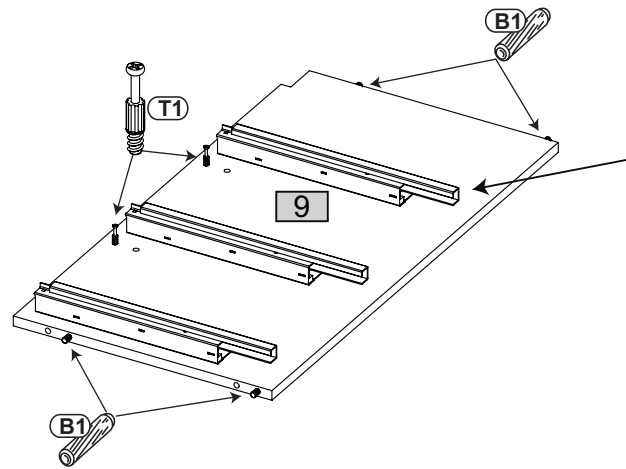
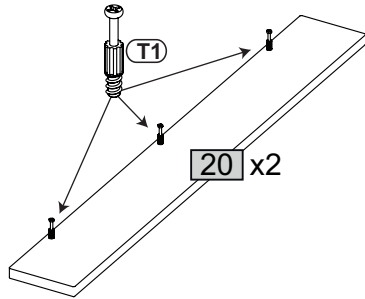
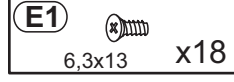
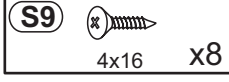
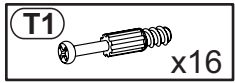
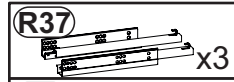
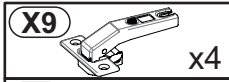
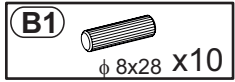
x3



2

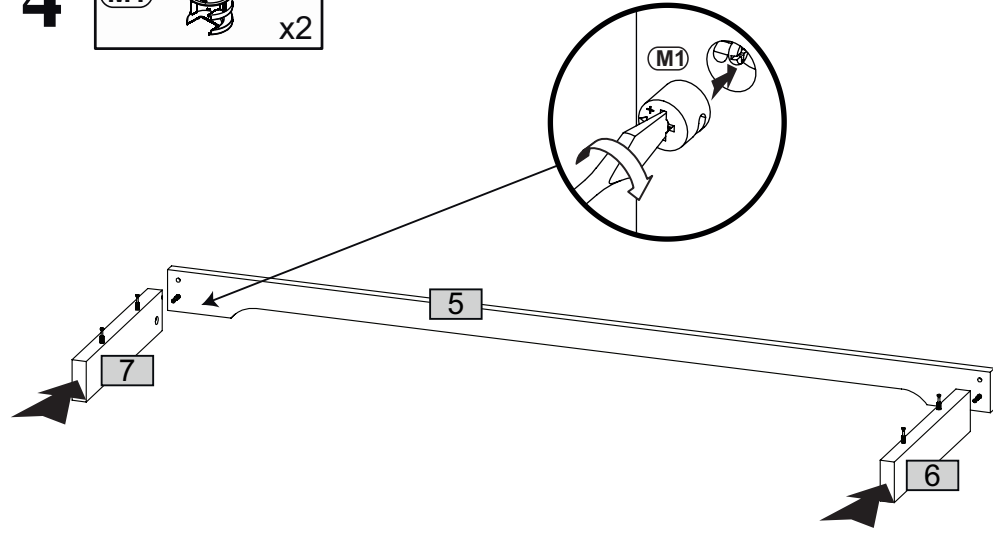


3



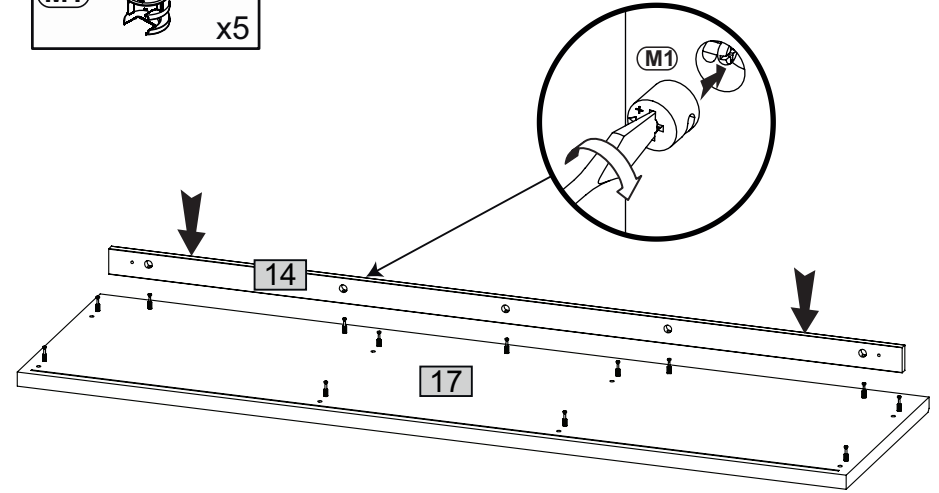
4

M1  x2



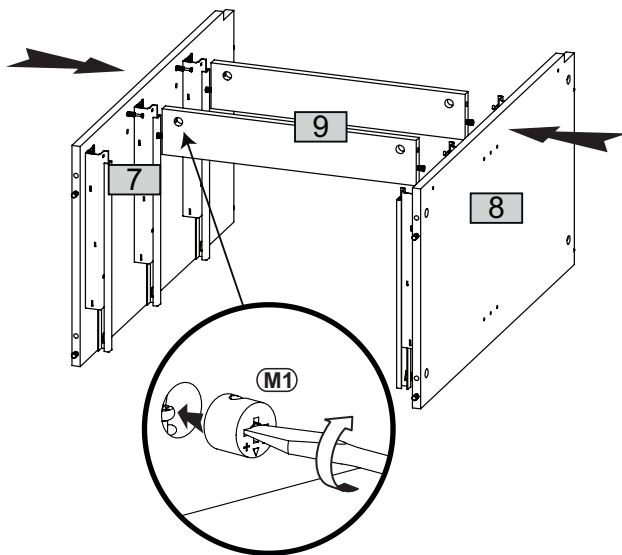
5

M1  x5



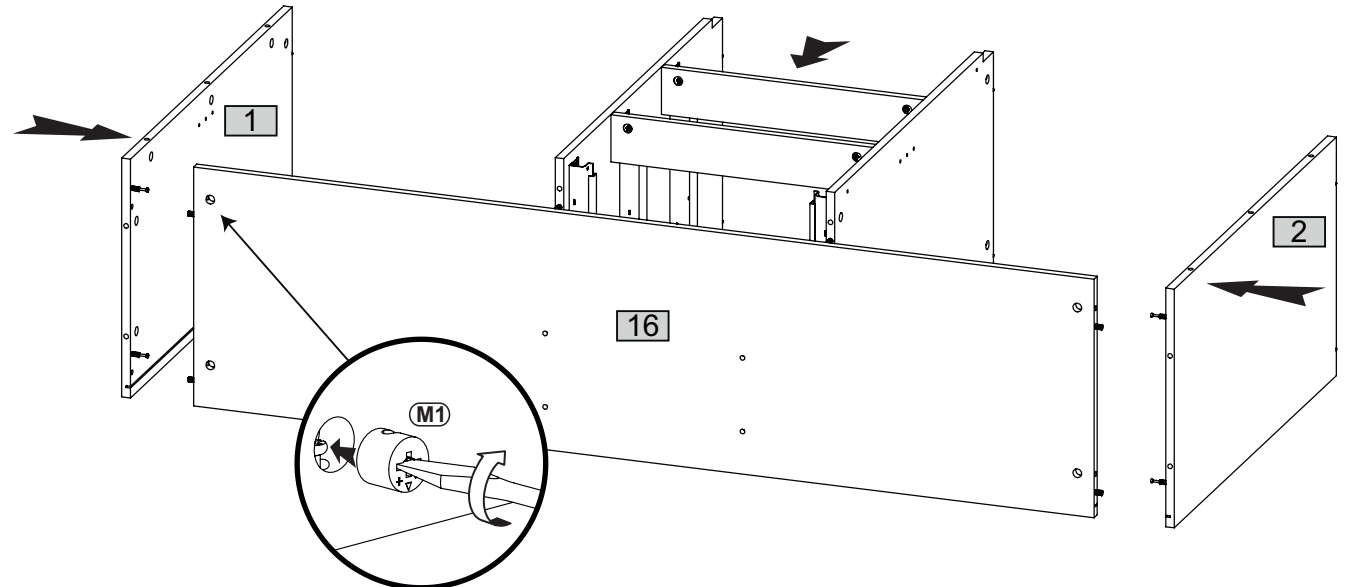
6

M1  x4

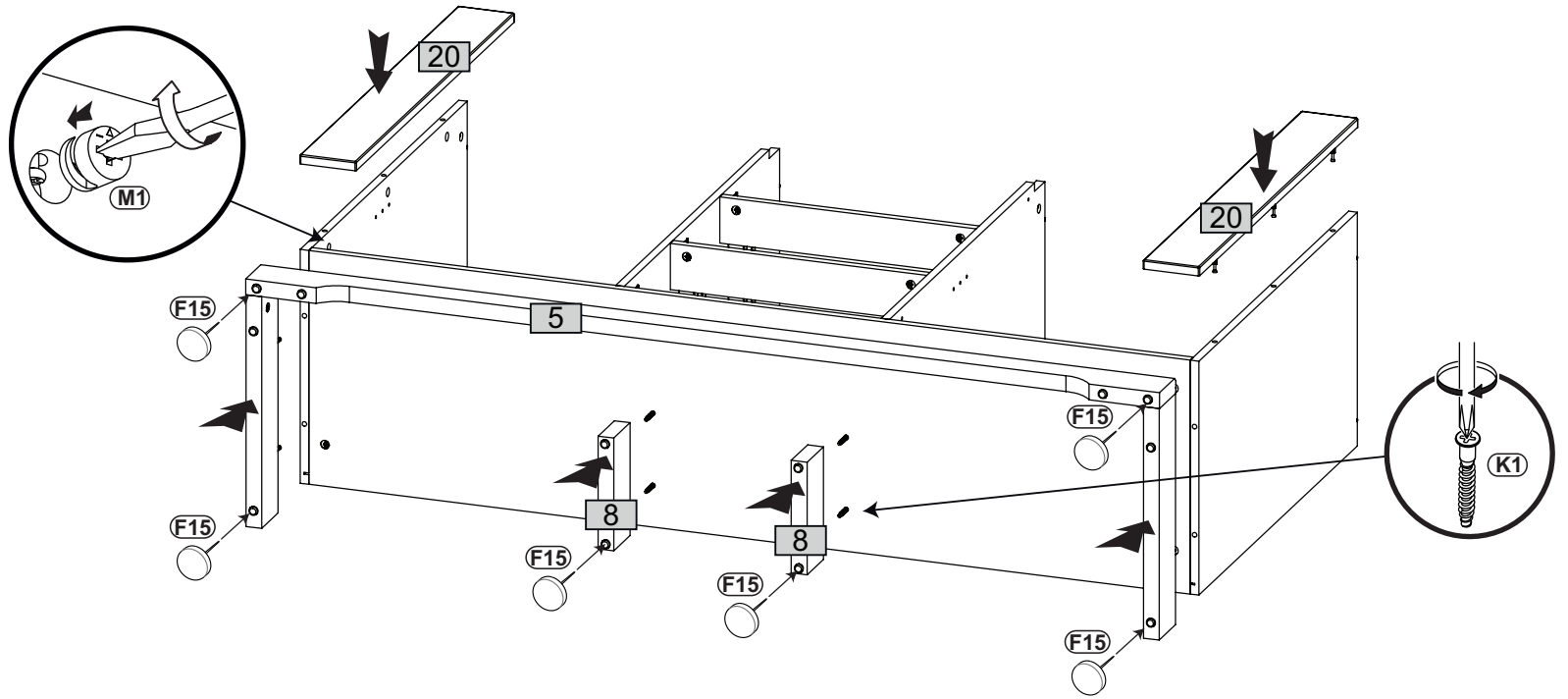
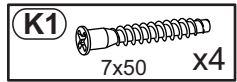
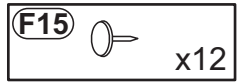


7

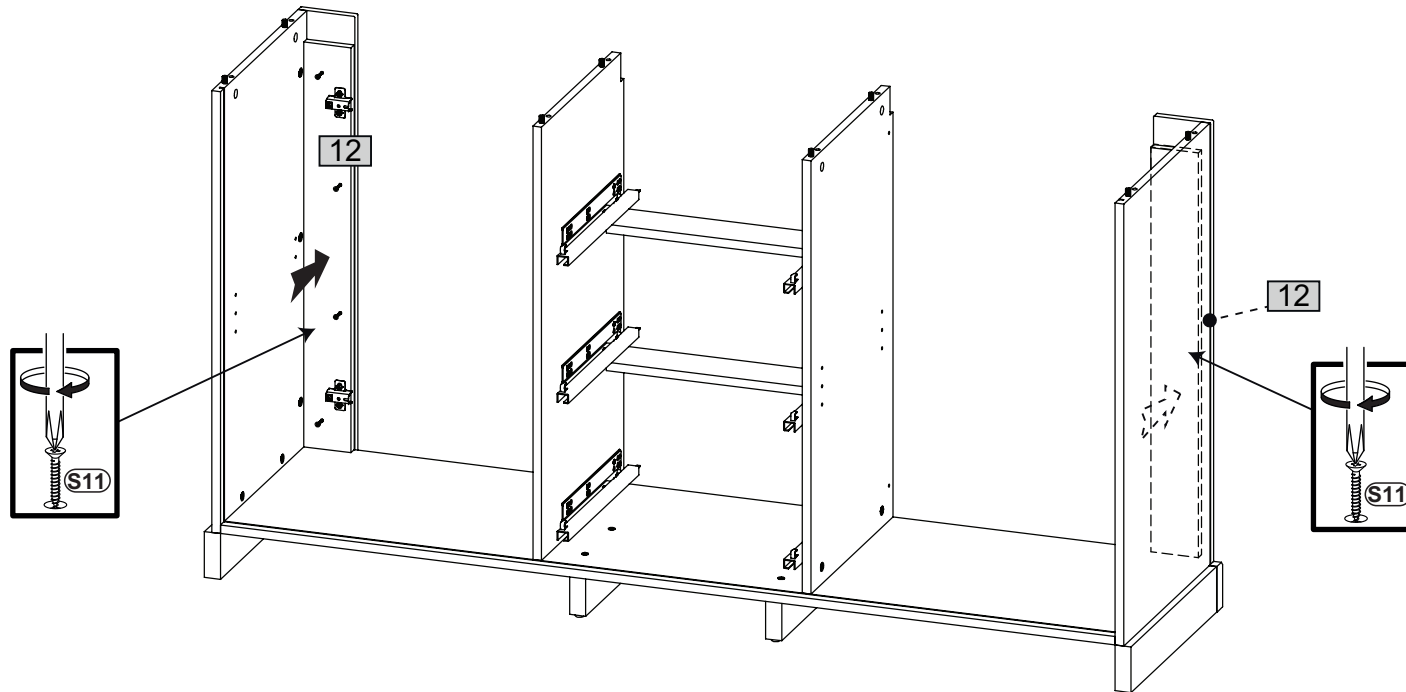
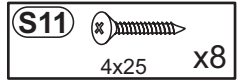
M1  x8



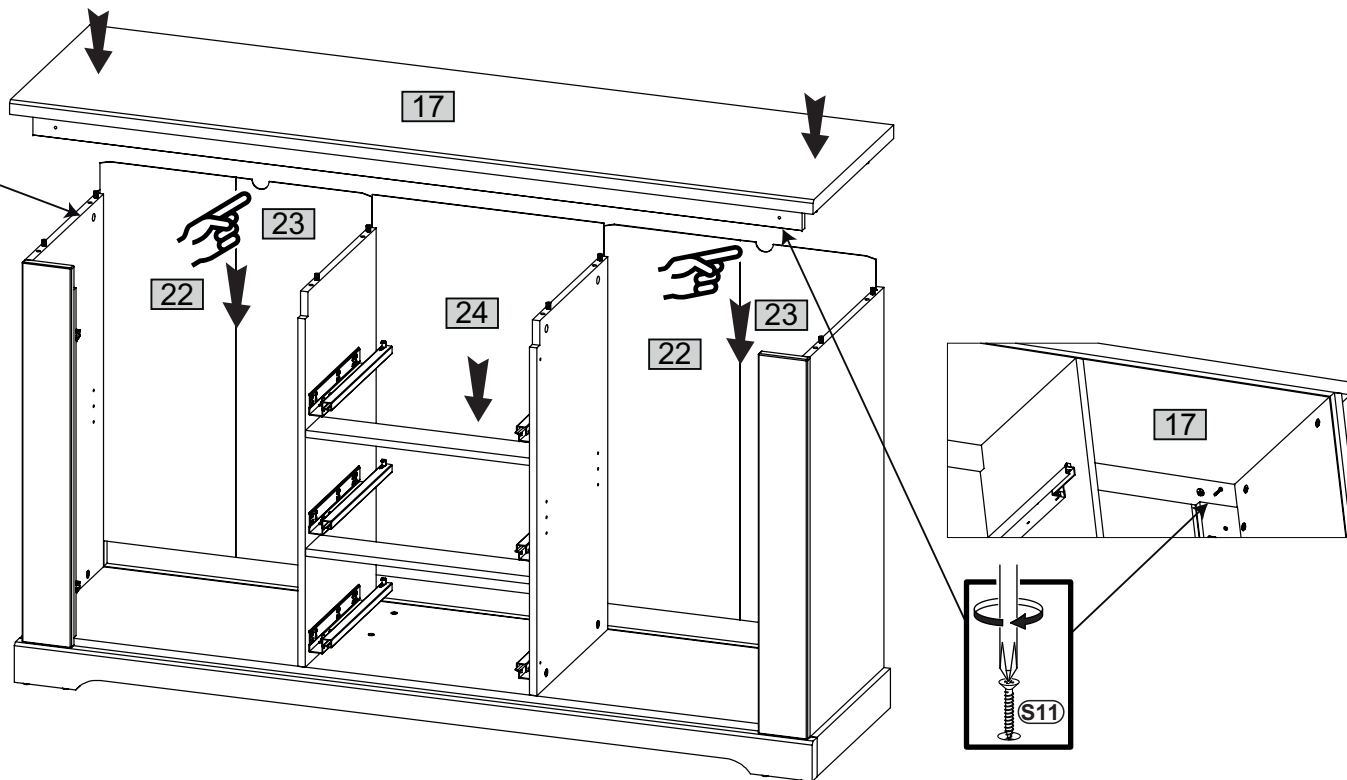
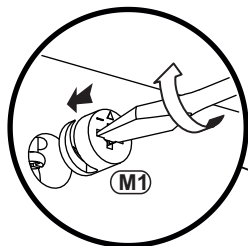
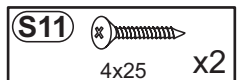
8



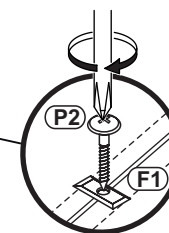
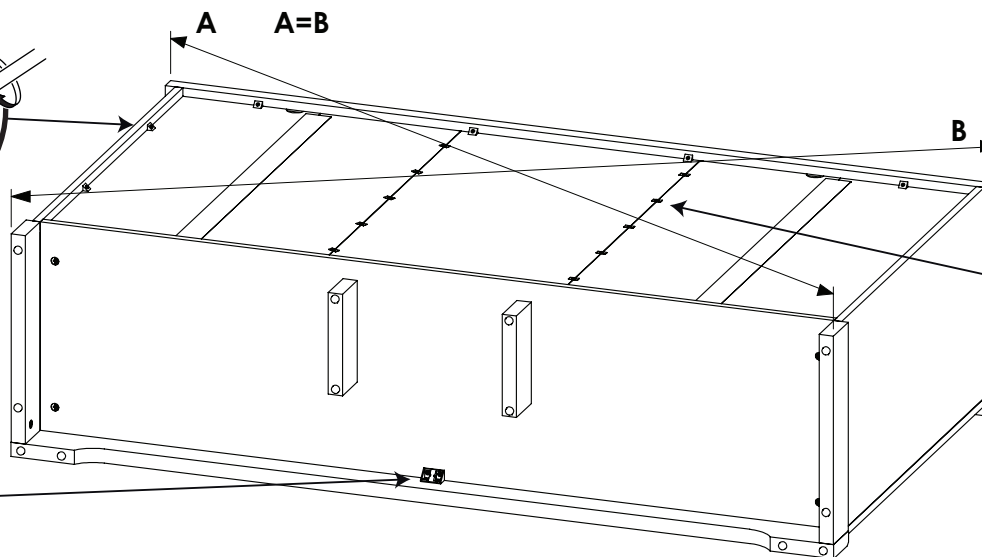
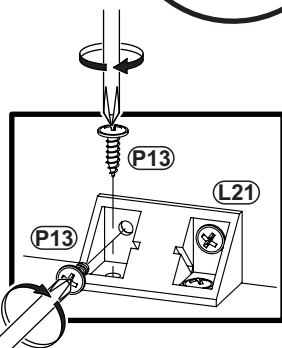
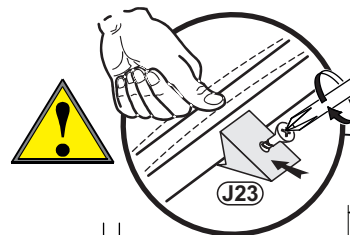
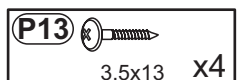
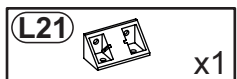
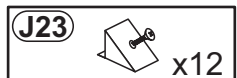
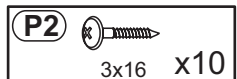
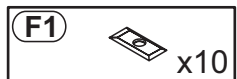
9



10



11



12

