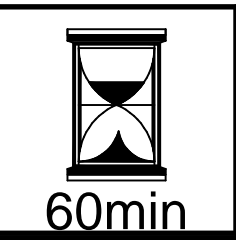
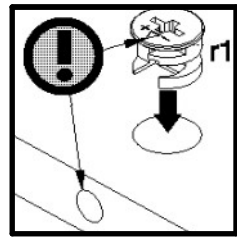
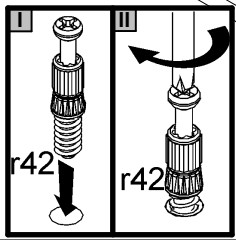
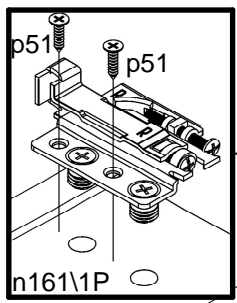
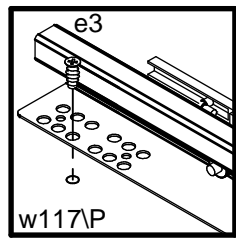
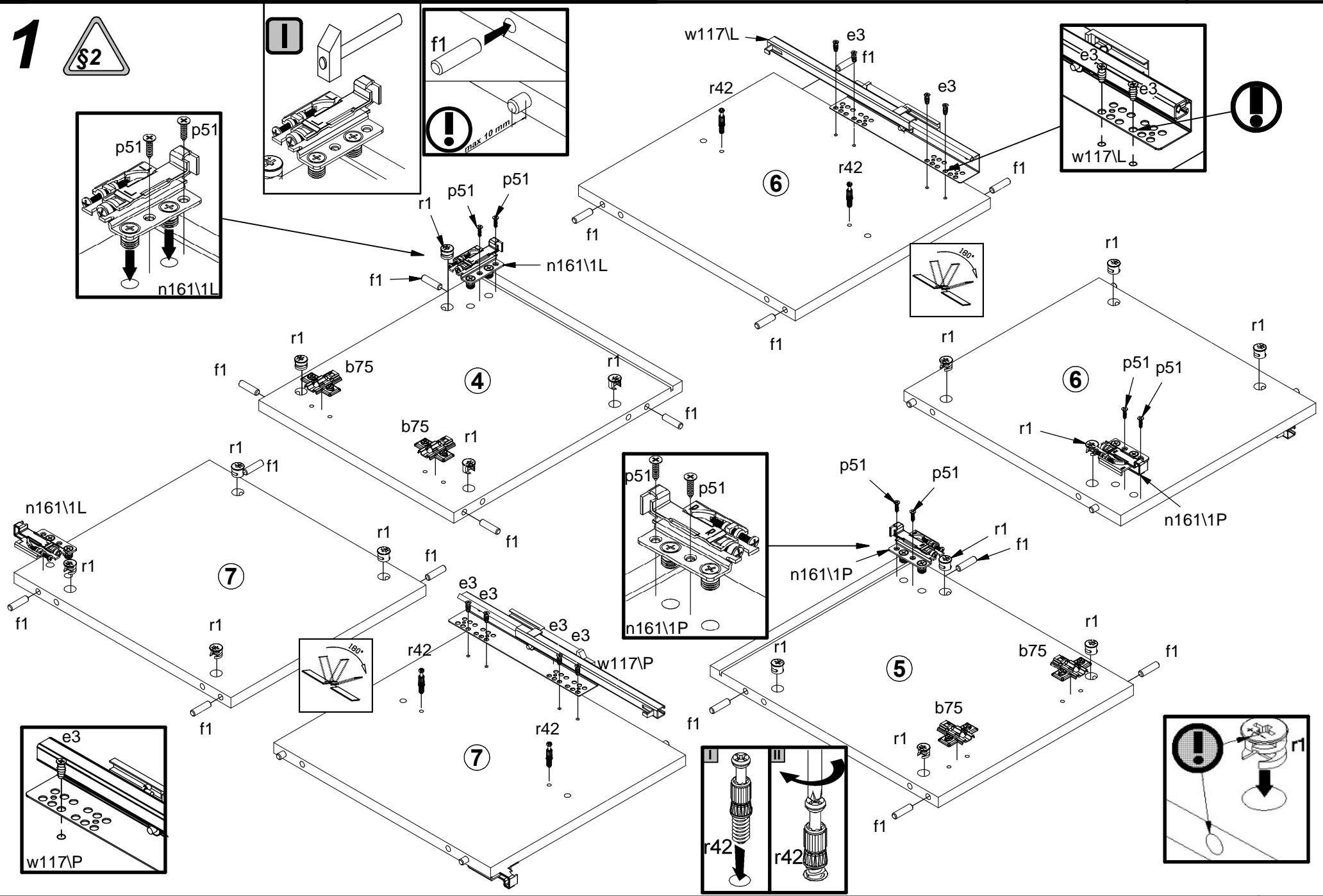
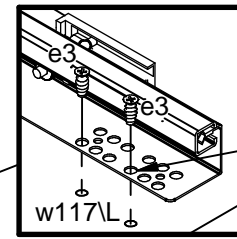
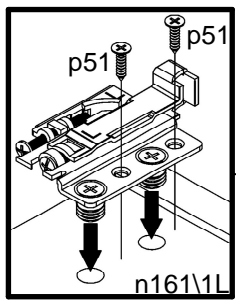
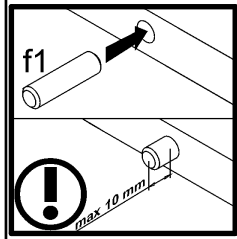
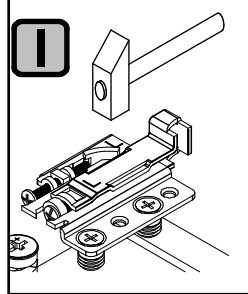


A	B	C (mm)	D
1	S236-0025	400	400
2	S236-0026	400	400
3	S236-0027	200	794
4	S236-1050	342	400
5	S236-1051	342	400
6	S236-1052	342	380
7	S236-1053	342	380
8	S236-2031	1575	400
9	S236-2032	1575	400
10	S236-3023	782	380
11	S236-9003	352	377
12	S236-9004	352	798
13	S236-9005	352	377
14	WSP-9052	752	358
15	WSQ3-505	350	120
16	WSQ3-506	350	120
17	WTQ-5129	742	107

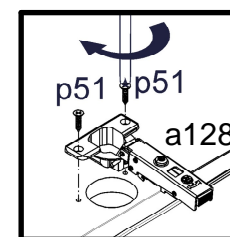
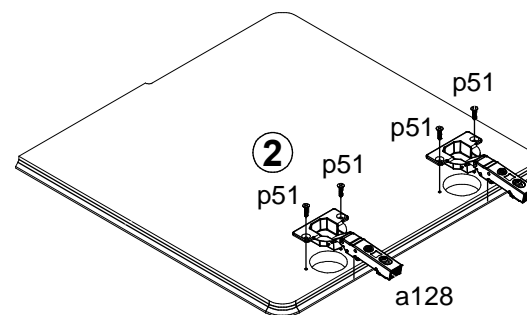
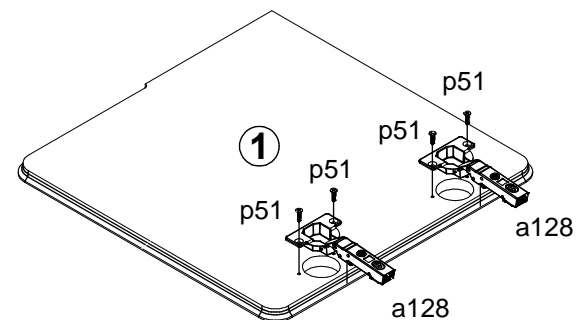
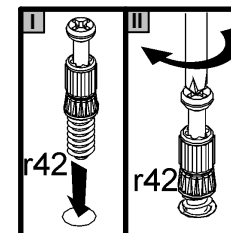
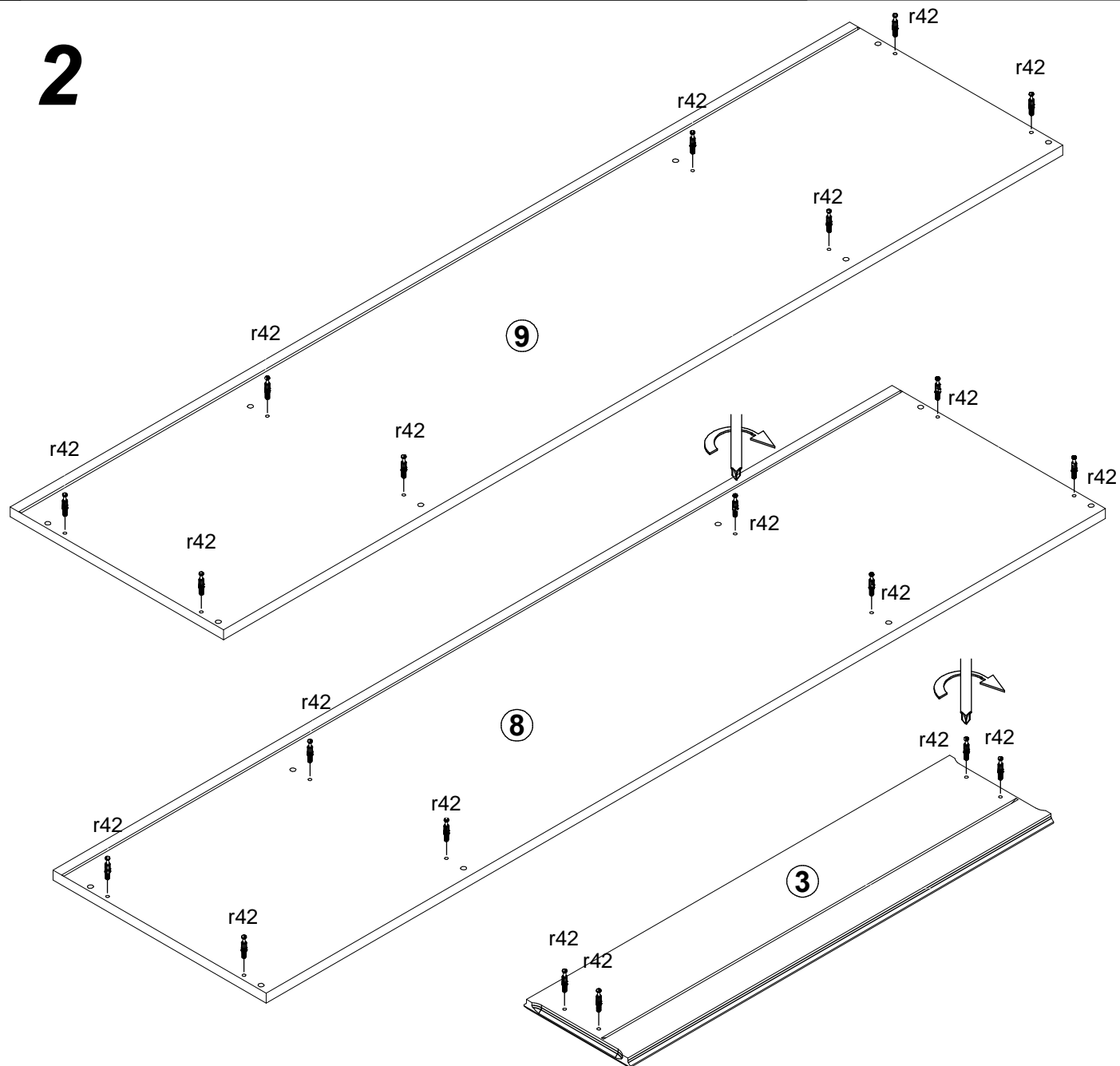


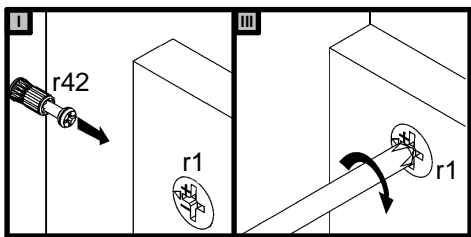
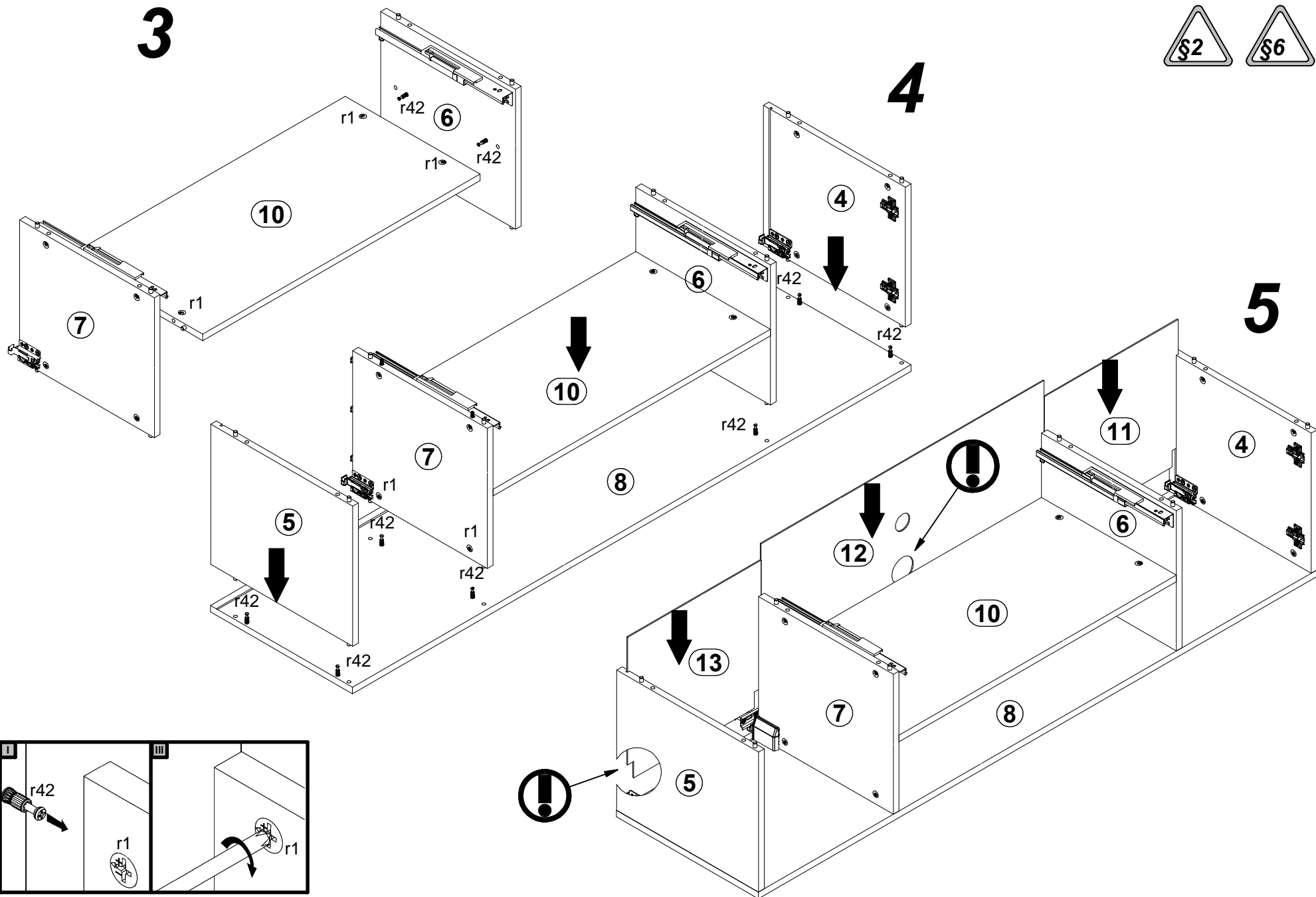
4x a128 Ø40	4x b75	8x e3 Ø6x13 mm	20x f1 Ø8x30 mm	4x f25 Ø6.5x40 mm	2x k53	4x k77 84x40/25 mm	12x l2	6x n108 20x13x3.5/1	2x n161\1L	2x n161\1P	2x n161\2L	2x n161\2P
4x n174 47x28x6 mm	1x p25 Ø3.5x16 mm	1x p35 Ø3.5x10 mm	10x p36 Ø4x25 mm	8x p38 Ø3.5x16 mm	16x p51 Ø3.5x15 mm	8x p55 Ø2.9x16 mm	4x r15 Ø12x10.5 mm #12	20x r1 Ø15x12 mm #16	1x t35 350 mm	24x r42	1x W117\L 350 mm	1x W117\P 350 mm
16x s68 Ø 20mm									1x f35 Ø10x50 mm	2x p38 Ø3.5x16 mm	1x p17 Ø5x60 mm	1x n14\2 88x21x151.5

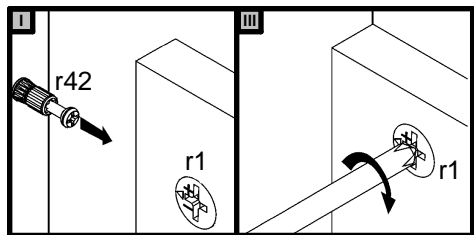
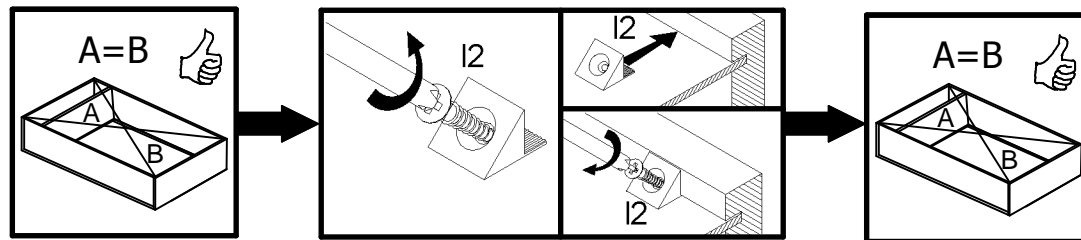
1



2

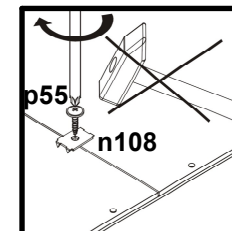
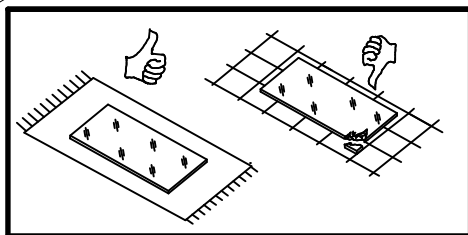
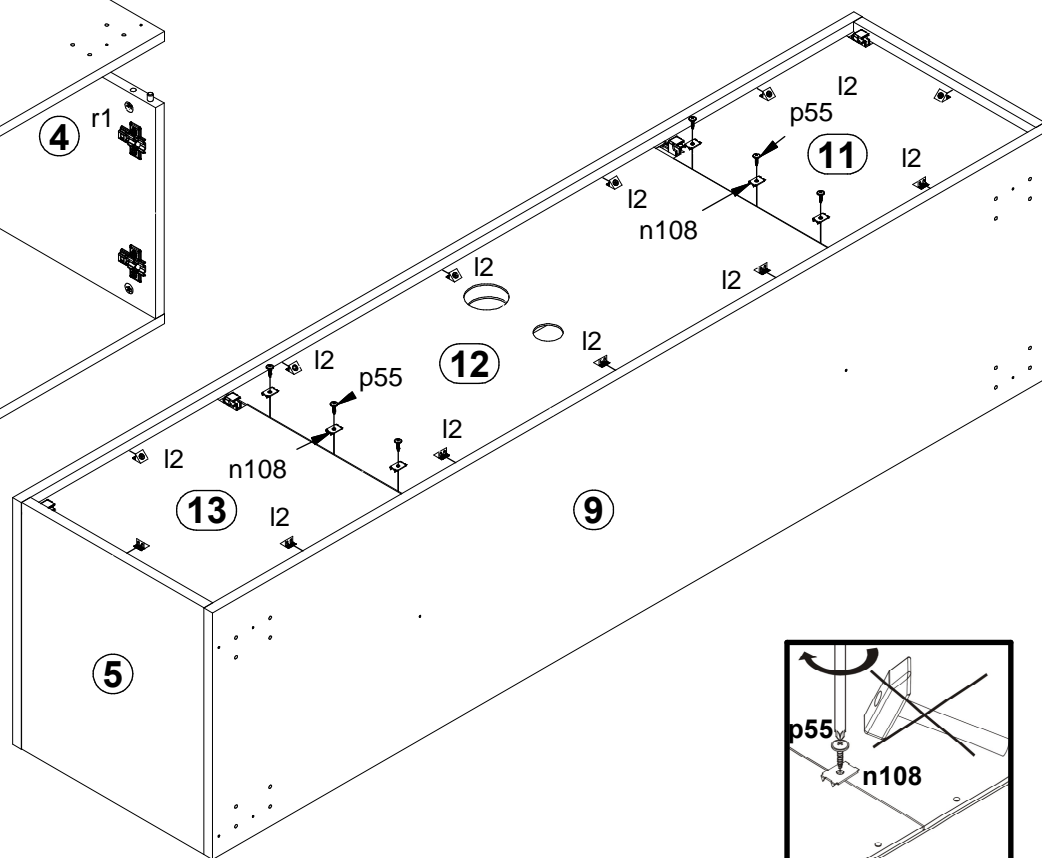
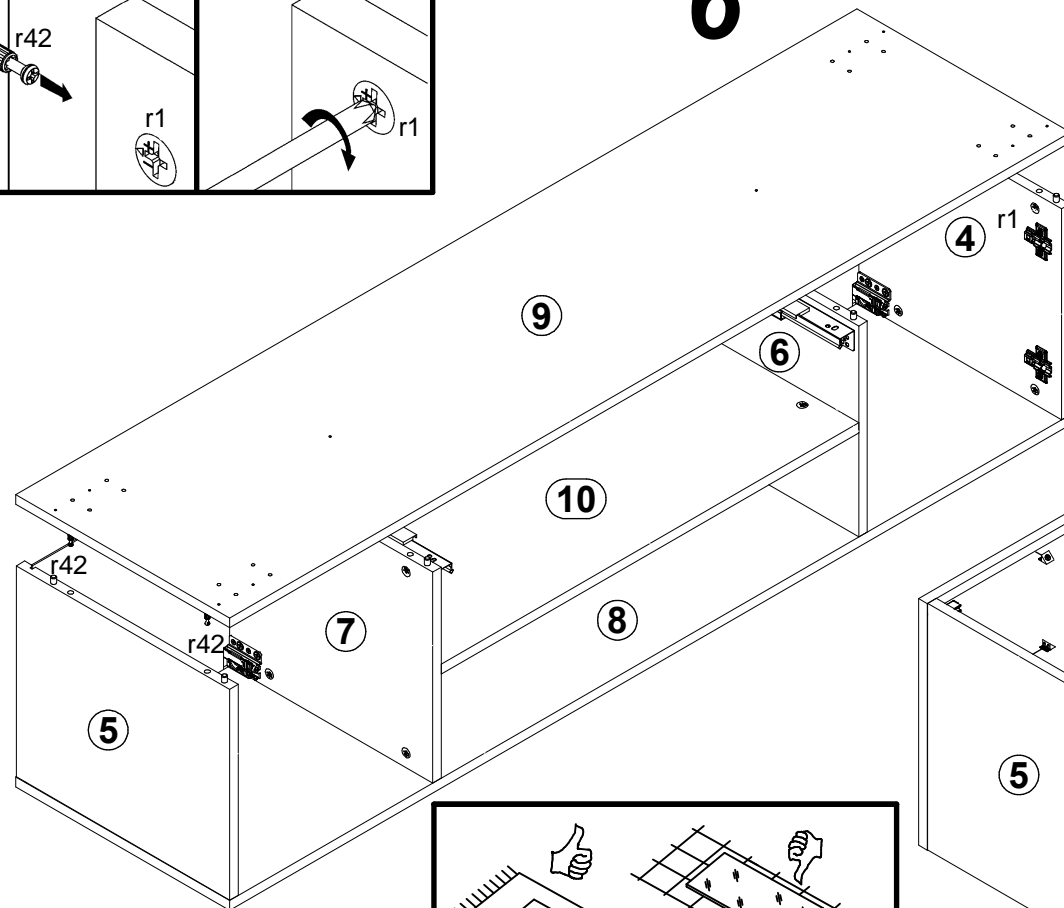






6

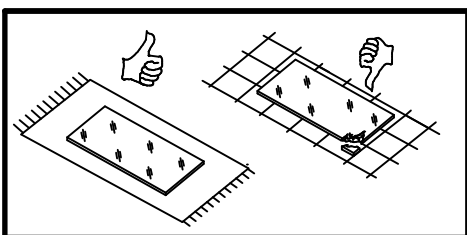
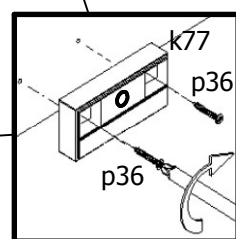
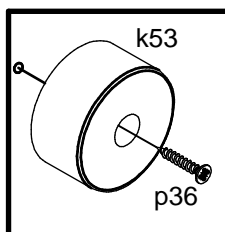
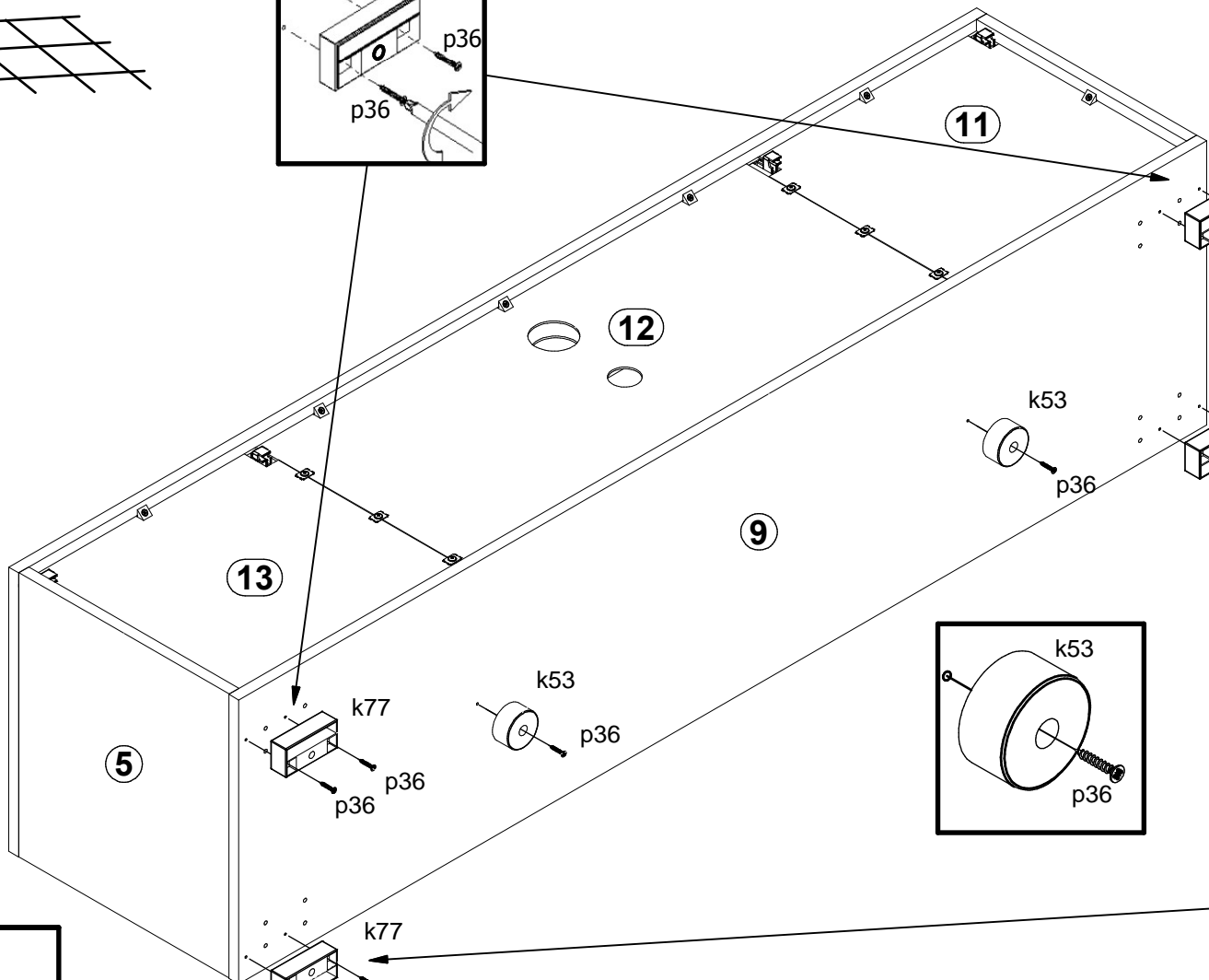
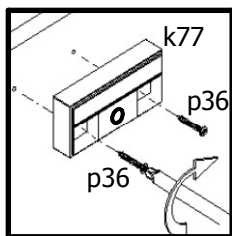
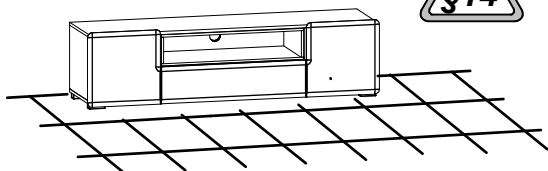
7



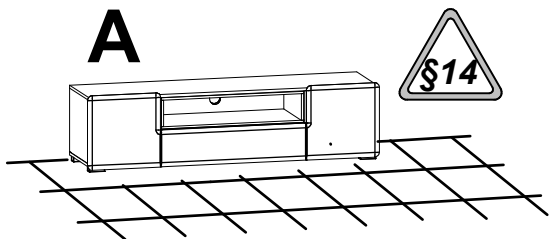
A



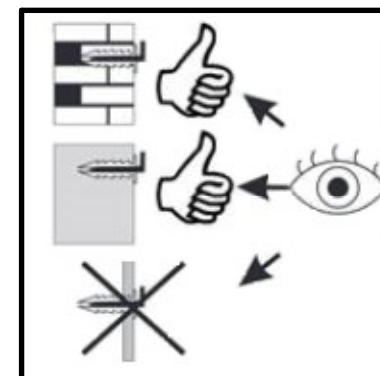
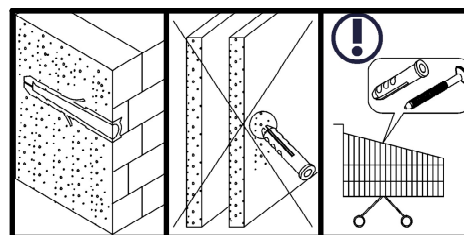
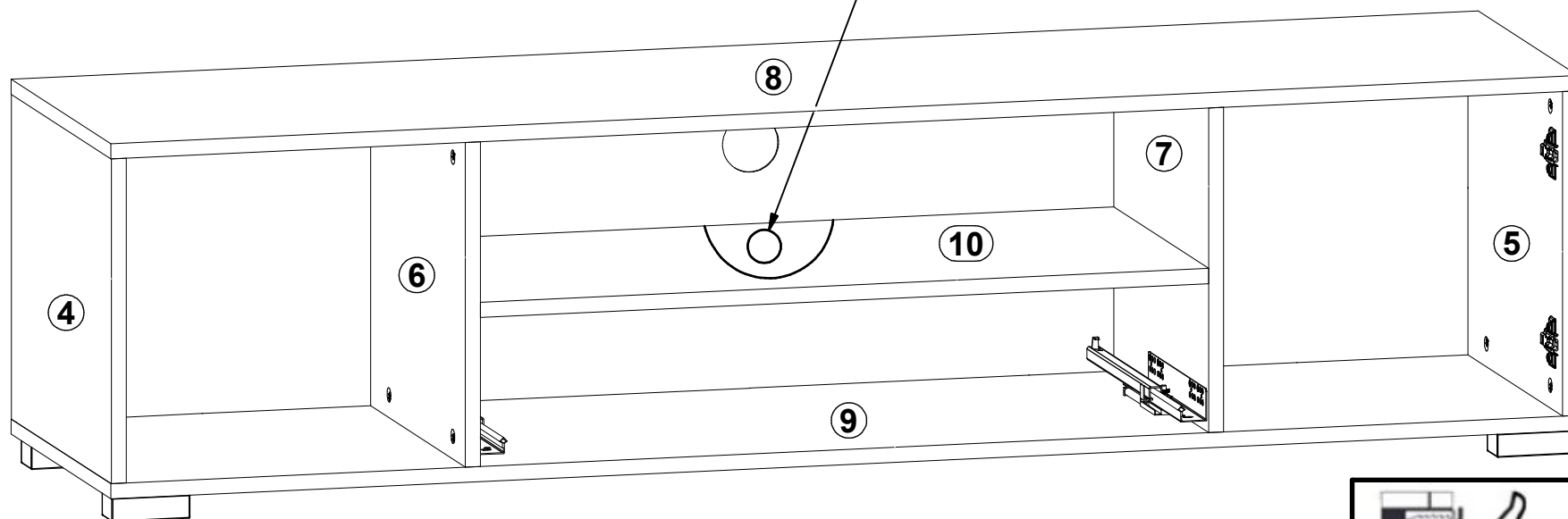
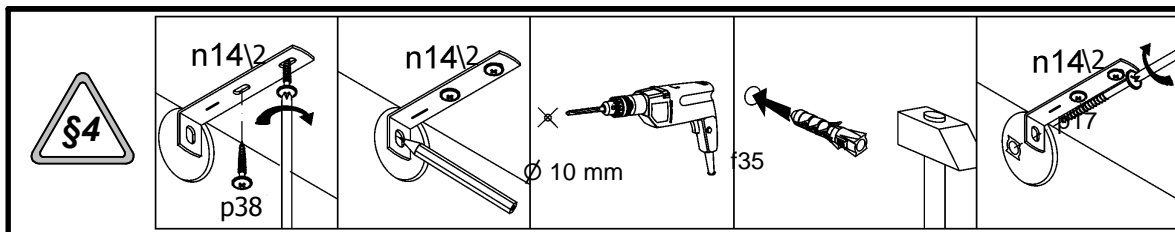
8



A



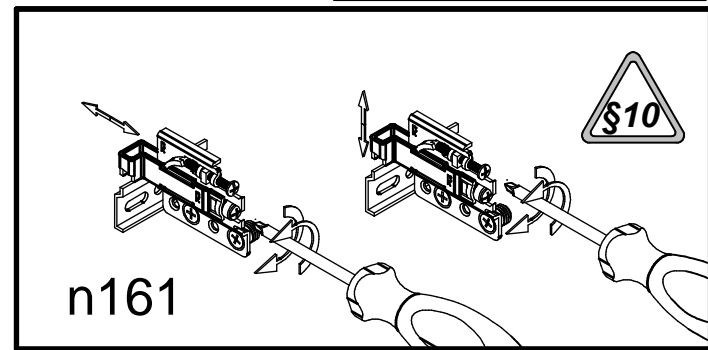
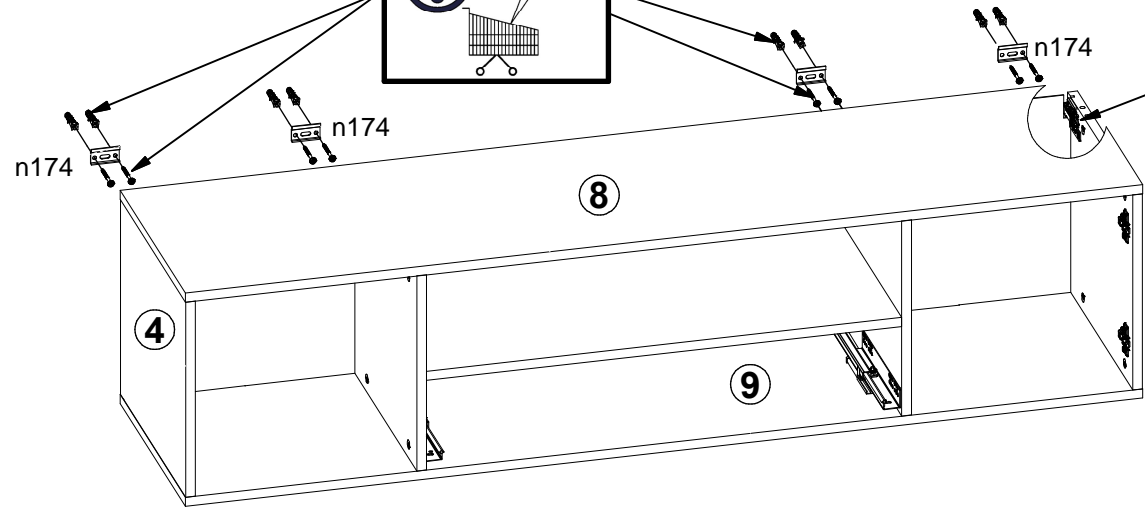
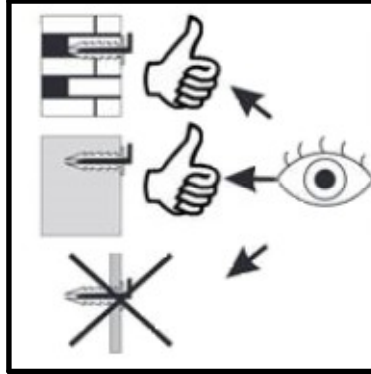
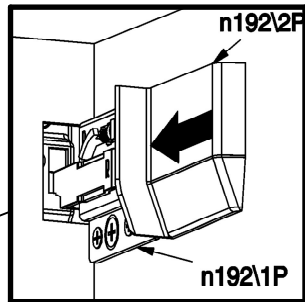
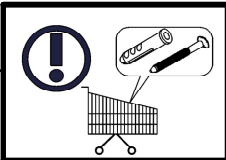
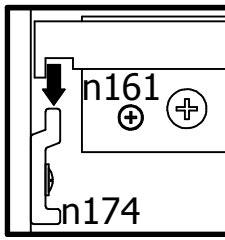
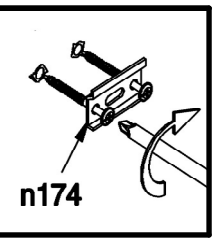
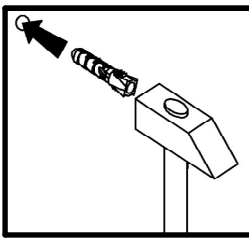
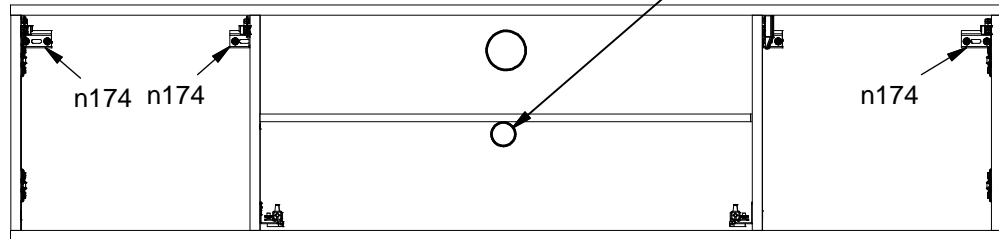
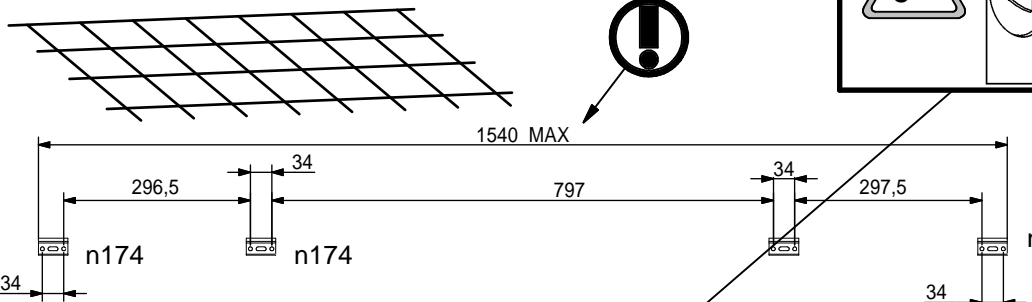
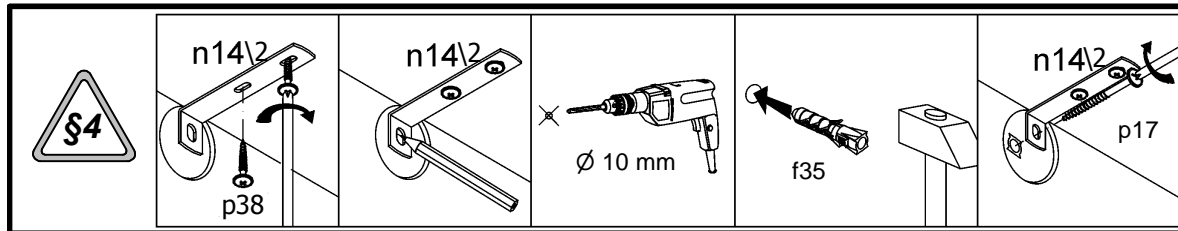
9

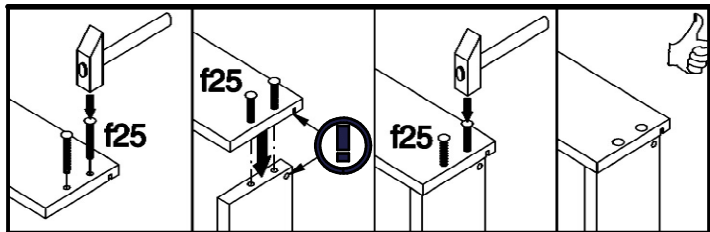


B

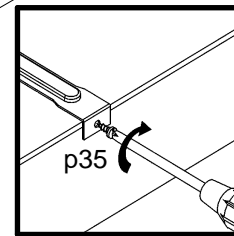
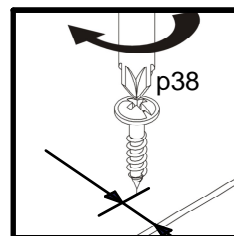
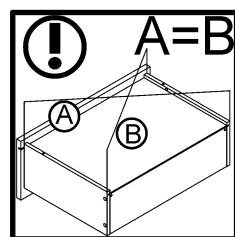
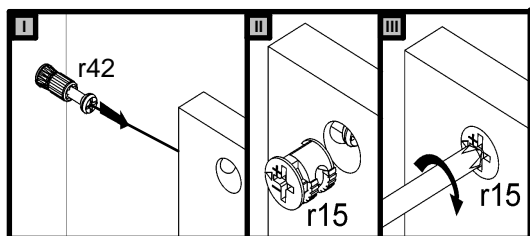
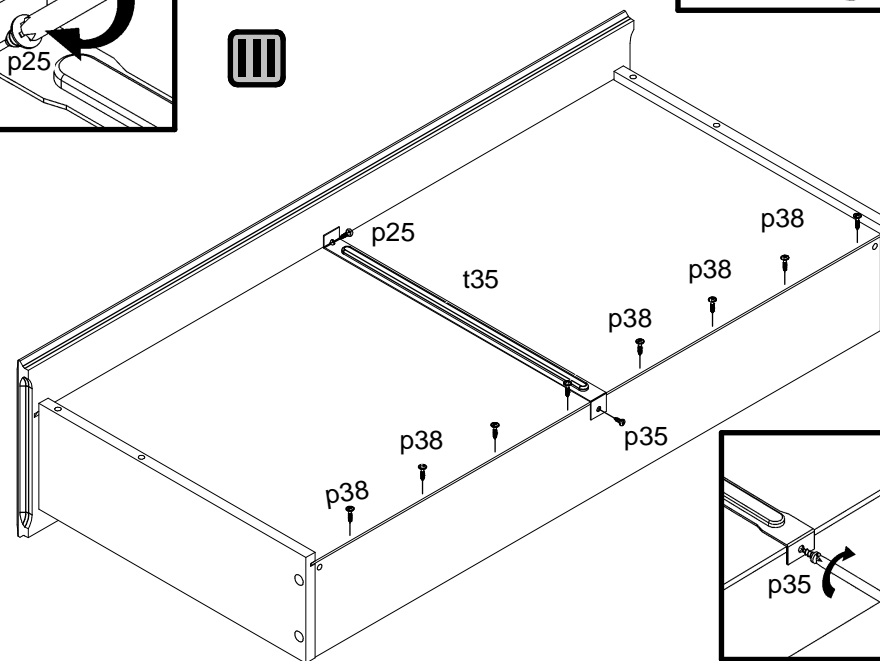
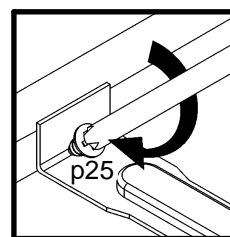
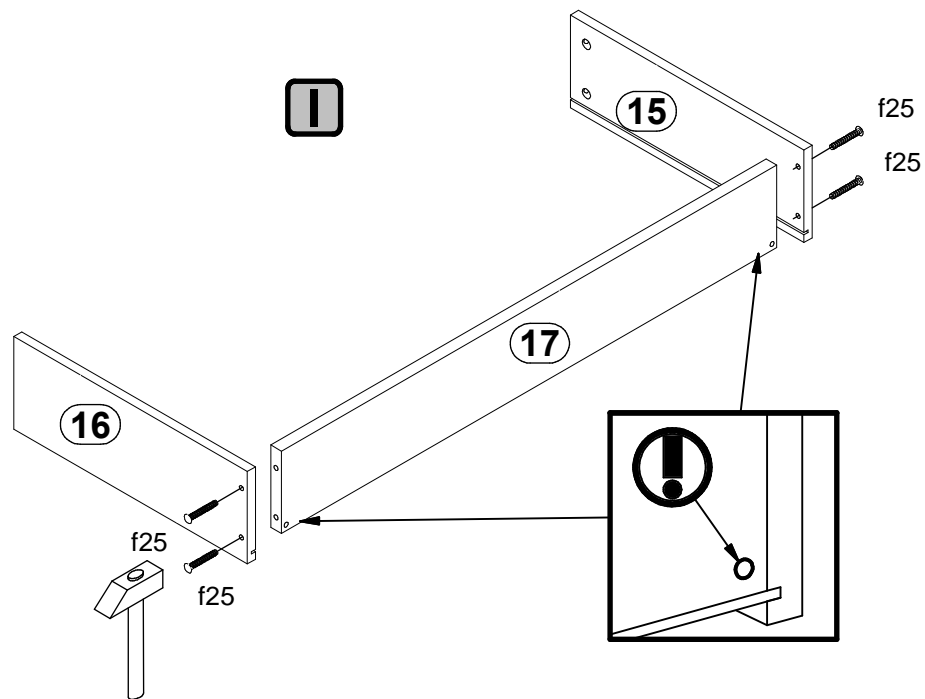
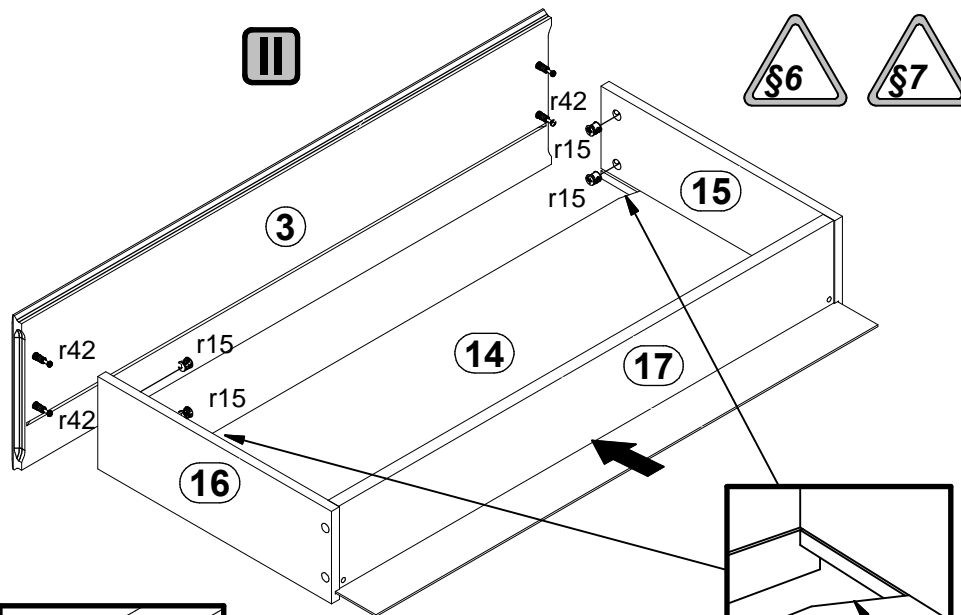


8



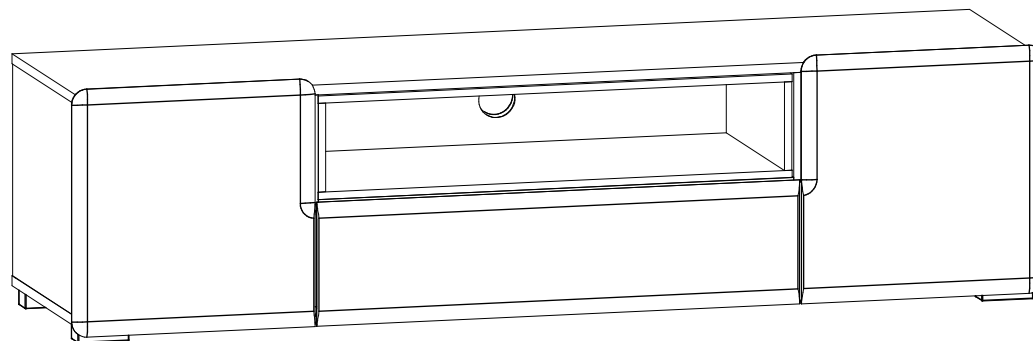
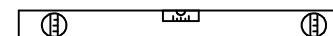
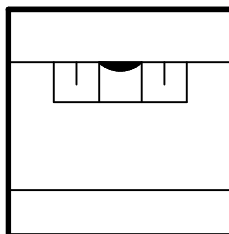
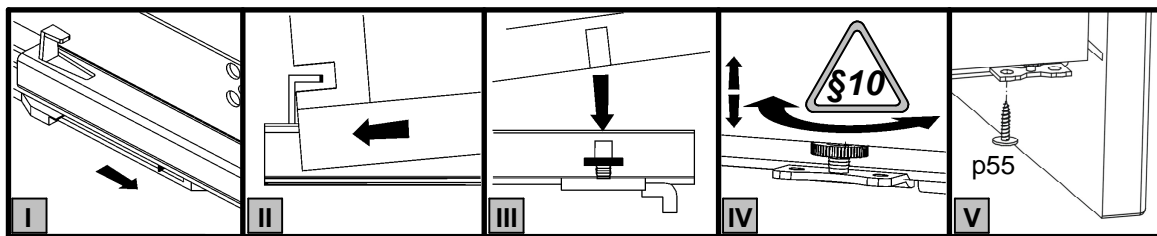
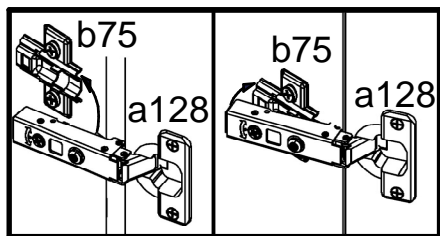
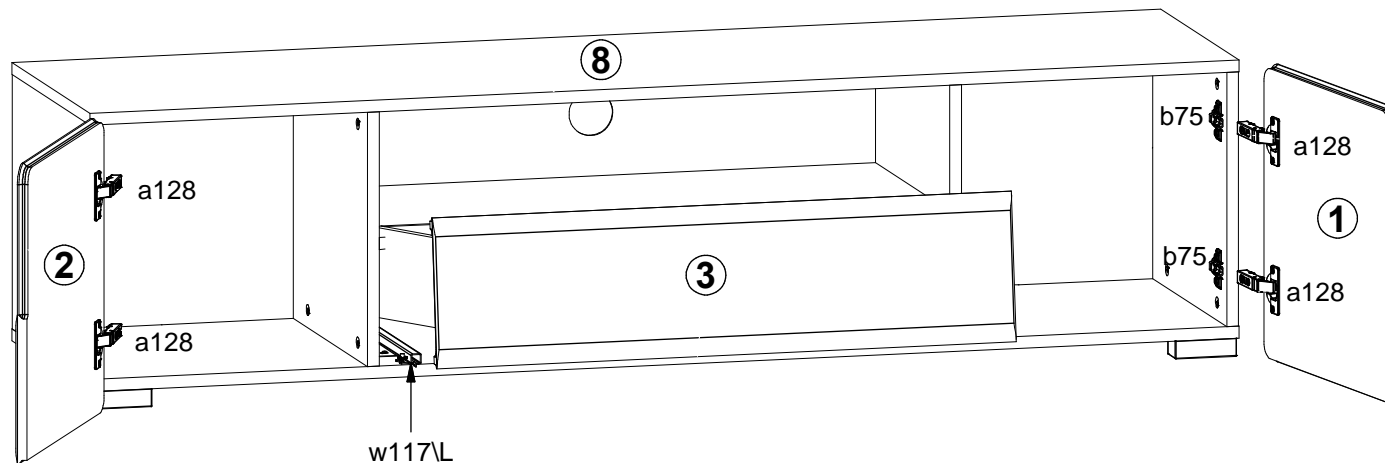


10





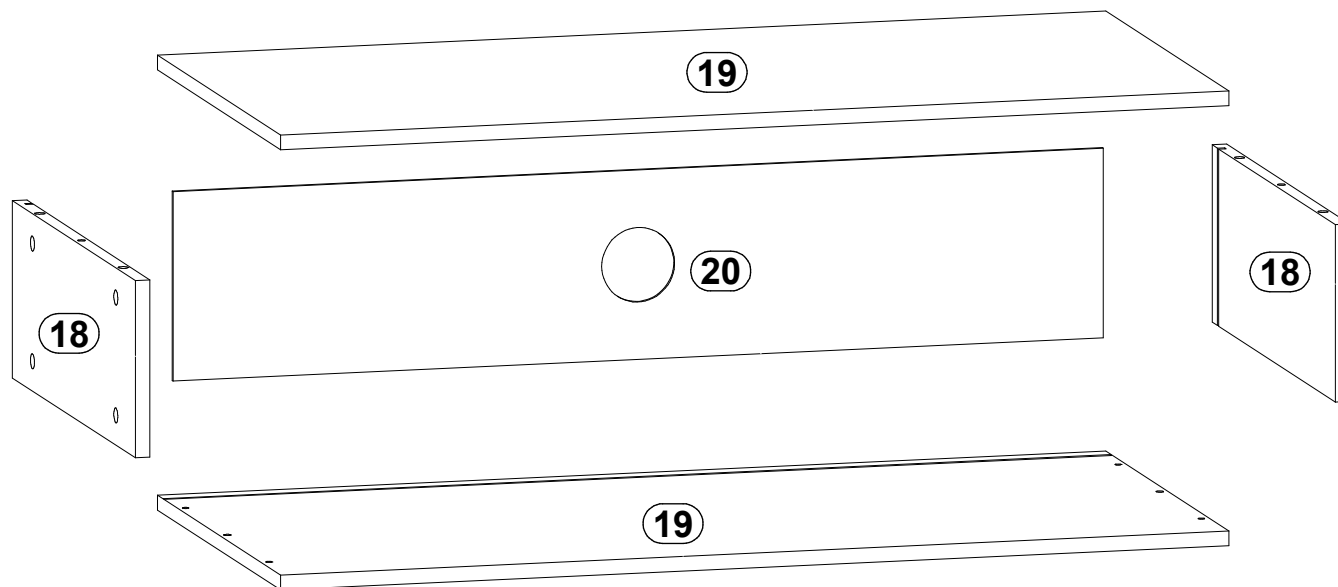
11



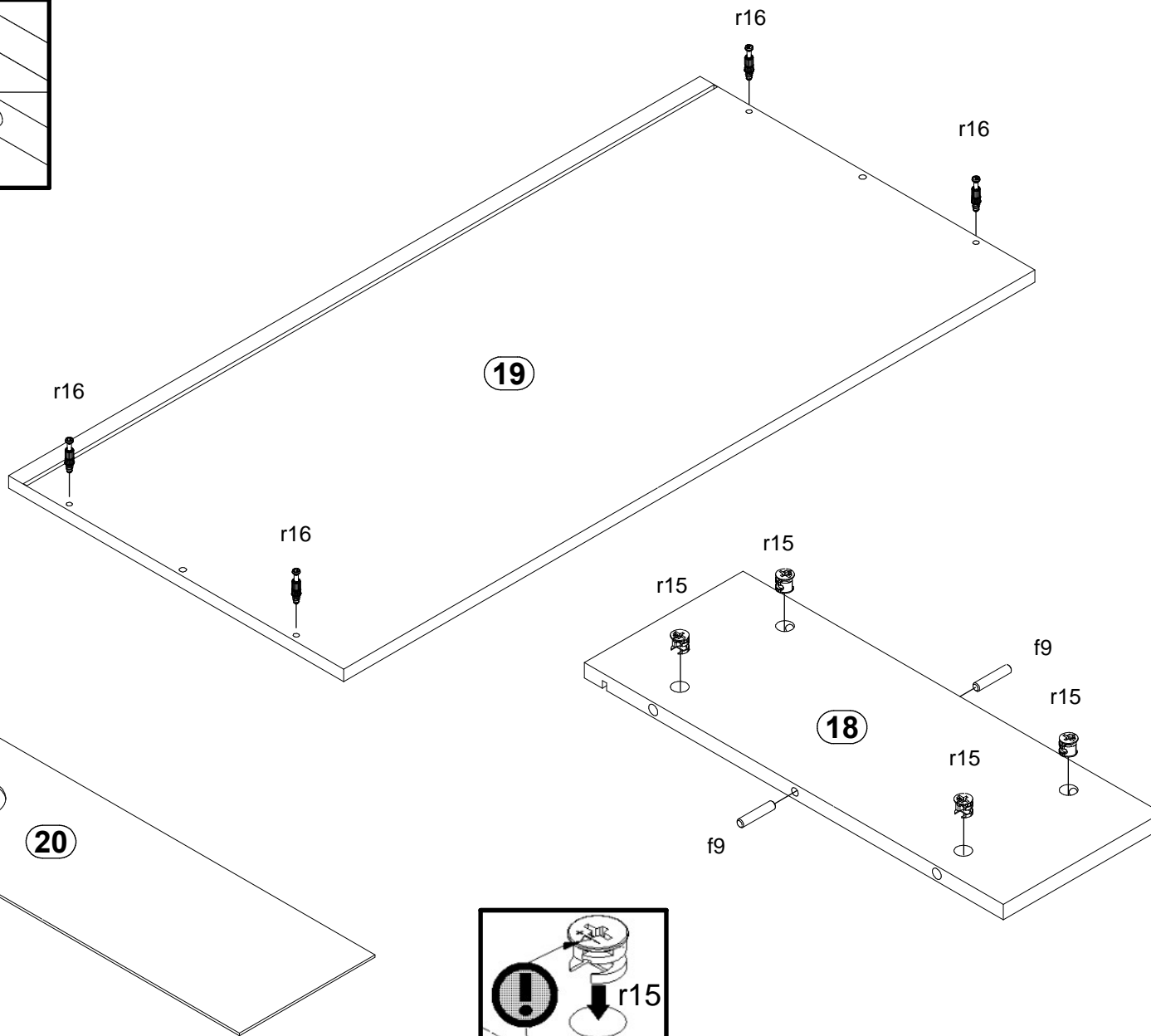
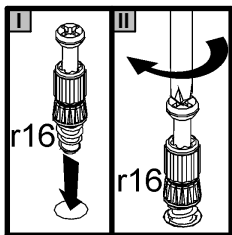
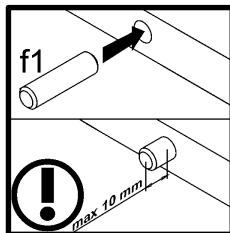
12



A	B	C (mm)		D
18	S236-1054	143	378	2/2
19	S236-2033	780	378	2/2
20	S236-9022	765	153	2/2



13



14

