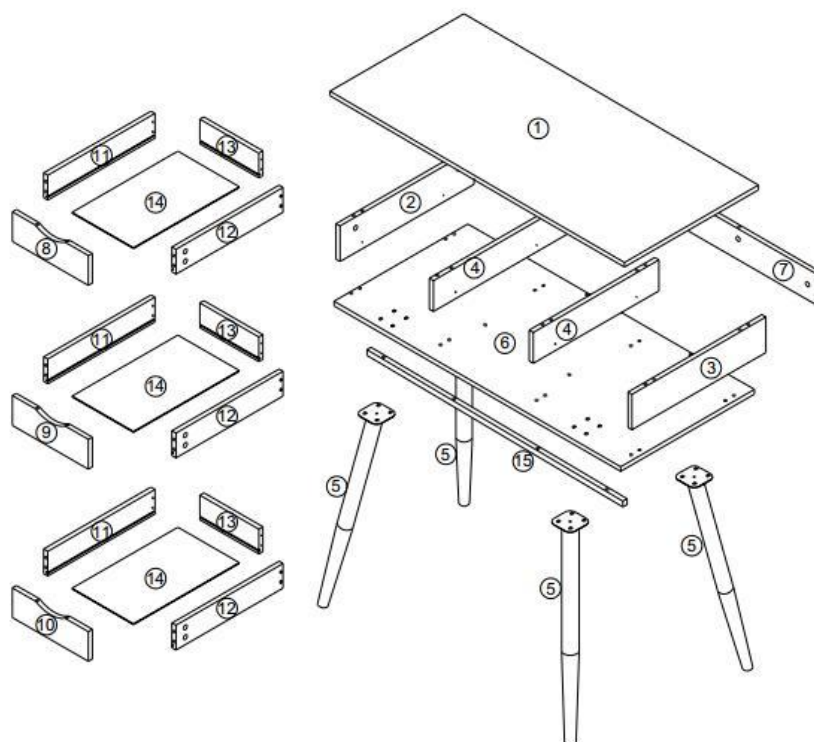


Neptun – desk

MATERIAL



MATERIAL LIST

PART	Description	Material	Country of origin	Surface	Comments/ Dimension
1	Table top	MDF	China	White melamine, ABS ede	1100x500x15mm
2+3	Side board	MDF	China	White melamine, ABS edge	499x100x15mm
4	Middle part	MDF	China	White melamine, ABS edge	468x100x15mm
5	Leg	Metal	China	White powder coating	Dia.50xT1.0x654mm
6	Table bottom	MDF	China	White melamine, ABS edge	1100x500x15mm
7	Back panel	MDF	China	White melamine, ABS edge	1067x100x15mm
8+9+10	Drawer front	MDF	China	Oak PVC veneered, ABS edge	353x96x15mm
11+12	Drawer side board	MDF	China	White melamine, ABS edge	400x80x15mm
13	Drawer back panel	MDF	China	White melamine, ABS edge	290x80x15mm
14	Drawer bottom	MDF	China	White melmiane	394x299x2.75mm
15	Support	Metal	China	White powder coating	20x20xT0.8x945mm